

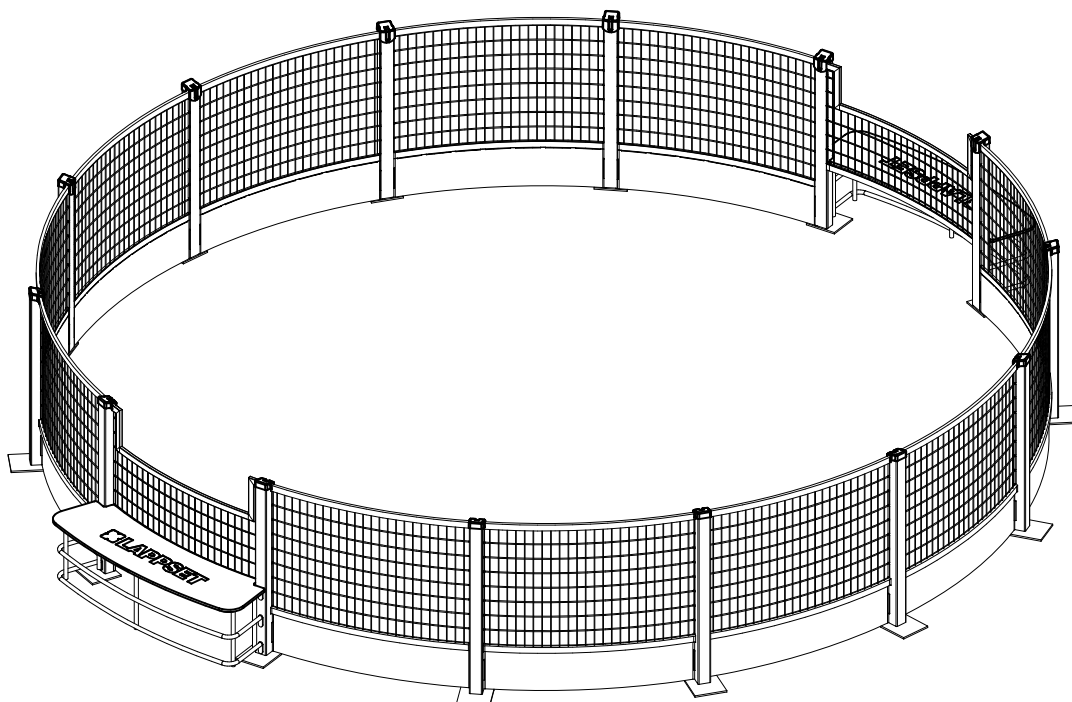
LAPPSET®


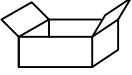
PANNA

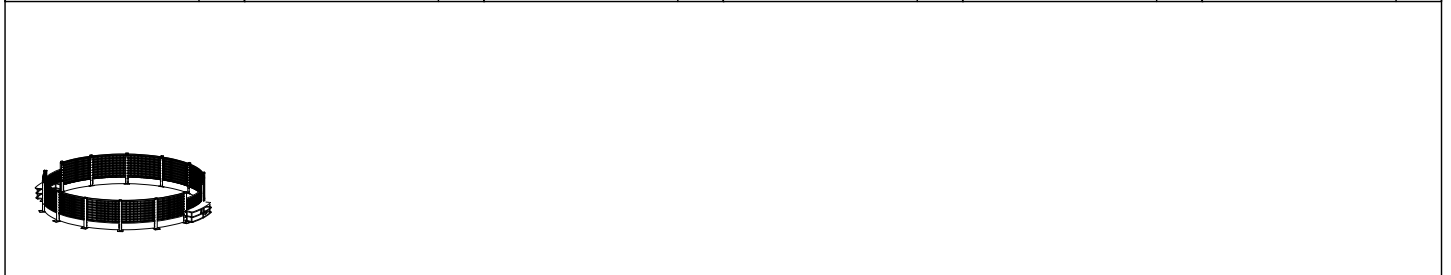
ASENNUSOHJE
MONTERINGSANSVISNING
INSTALLATION INSTRUCTION
AUFBAUANLEITUNG
NOTICE D'INSTALLATION

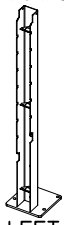
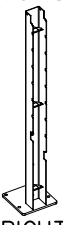
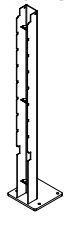
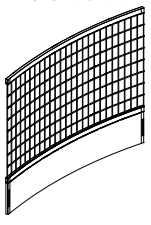
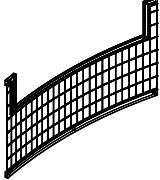

REF: 080902
DATE: 28.3.2019

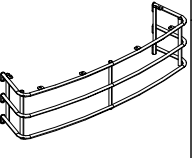



080902M



| | | | | | | | | | | | |
|--|-----|---|-----|--|-----|--|-----|--|-----|--|-----|
| 709146 | PCS | 705191 | PCS | | PCS | | PCS | | PCS | | PCS |
| | 2 | | 1 | | | | | | | | |
|  | |  | | | | | | | | | |
| 20x530x1562 | | | | | | | | | | | |
| | PCS | | PCS | | PCS | | PCS | | PCS | | PCS |
| | | | | | | | | | | | |
| | | | | | | | | | | | |

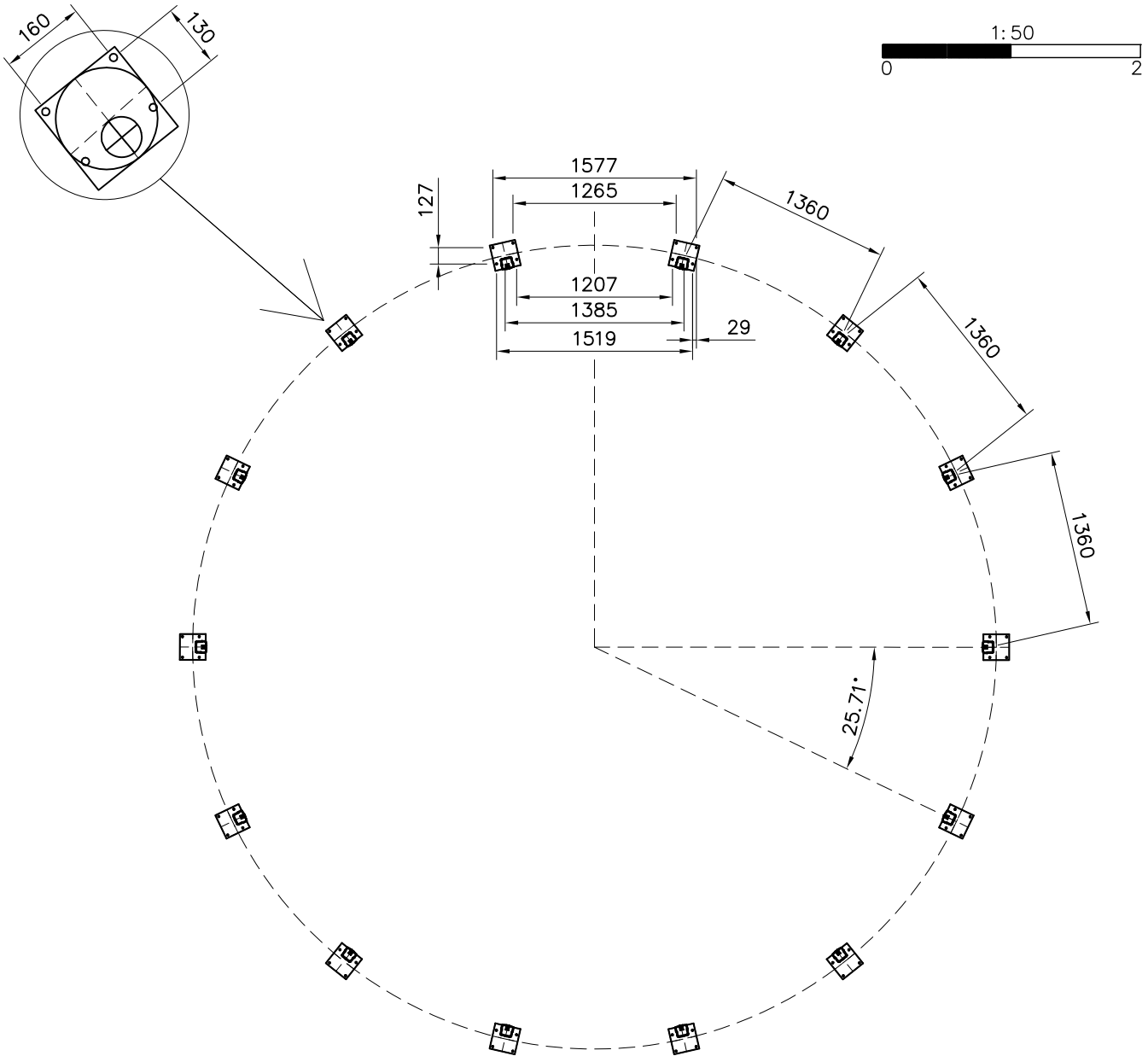


| | | | | | | | | | | | |
|---|-----|---|-----|---|-----|---|-----|---|-----|---|-----|
| 910751 | PCS | 910752 | PCS | 910753 | PCS | 904671 | PCS | 908042 | PCS | 904958 | PCS |
| | 2 | | 2 | | 10 | | 12 | | 2 | | 14 |
|  | |  | |  | |  | |  | |  | |
| LEFT | | RIGHT | | | | | | | | | |

| | | | | | | | | | | | |
|--|-----|---|-----|---|-----|---|-----|--|-----|--|-----|
| 904686 | PCS | 904963 | PCS | 904964 | PCS | 904957 | PCS | | PCS | | PCS |
| | 2 | | 2 | | 2 | | 10 | | | | |
|  | |  | |  | |  | | | | | |
| GOAL | | LEFT | | RIGHT | | | | | | | |

| | | | | | | | | | | | |
|--|-----|--|-----|--|-----|--|-----|--|-----|--|-----|
| | PCS | | PCS | | PCS | | PCS | | PCS | | PCS |
| | | | | | | | | | | | |
| | | | | | | | | | | | |
| | | | | | | | | | | | |

| | | | | | | | | | | | |
|--|-----|--|-----|--|-----|--|-----|--|-----|--|-----|
| | PCS | | PCS | | PCS | | PCS | | PCS | | PCS |
| | | | | | | | | | | | |
| | | | | | | | | | | | |
| | | | | | | | | | | | |

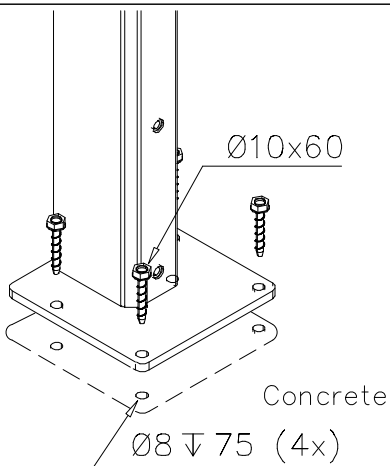


Kun käytetään keinonurmea

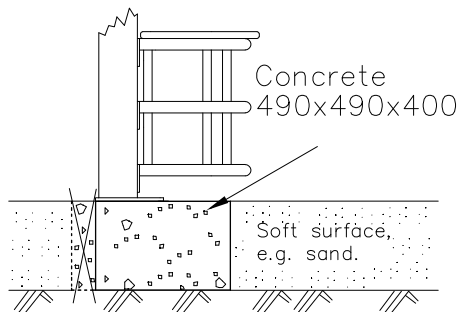
- 1) Ensin kannattaa liimata tekonurmen palaset yhteen (kaksi puolipallo mallista). Lisätietoja Saltex asennusohjeessa.
- 2) Kun liima on hyvin kuivunut niin rakennetaan Panna nurmen ympärille.

When using artificial grass

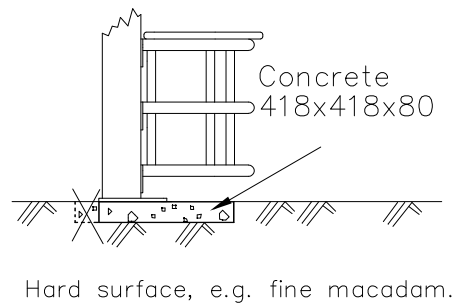
- 1) Install and glue the artificial grass (see the Saltex installation instructions)
- 2) Build Panna 080902 on the artificial grass (Panna 080902 assembling instructions)

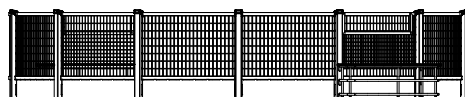
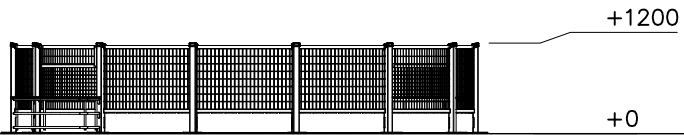
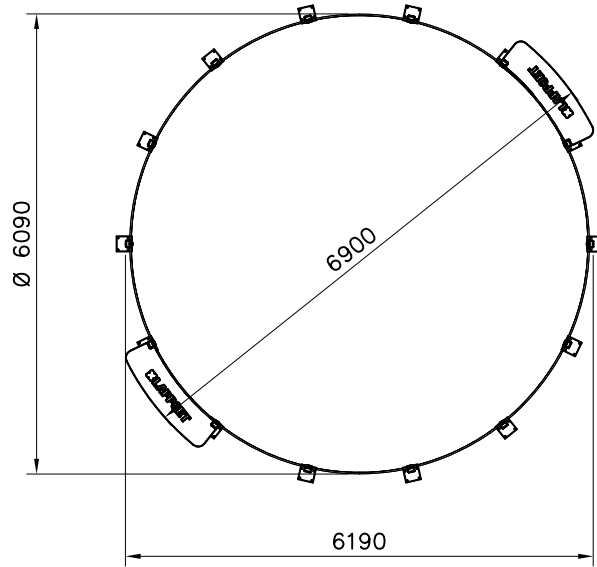
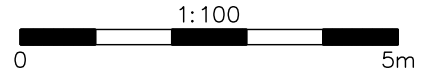


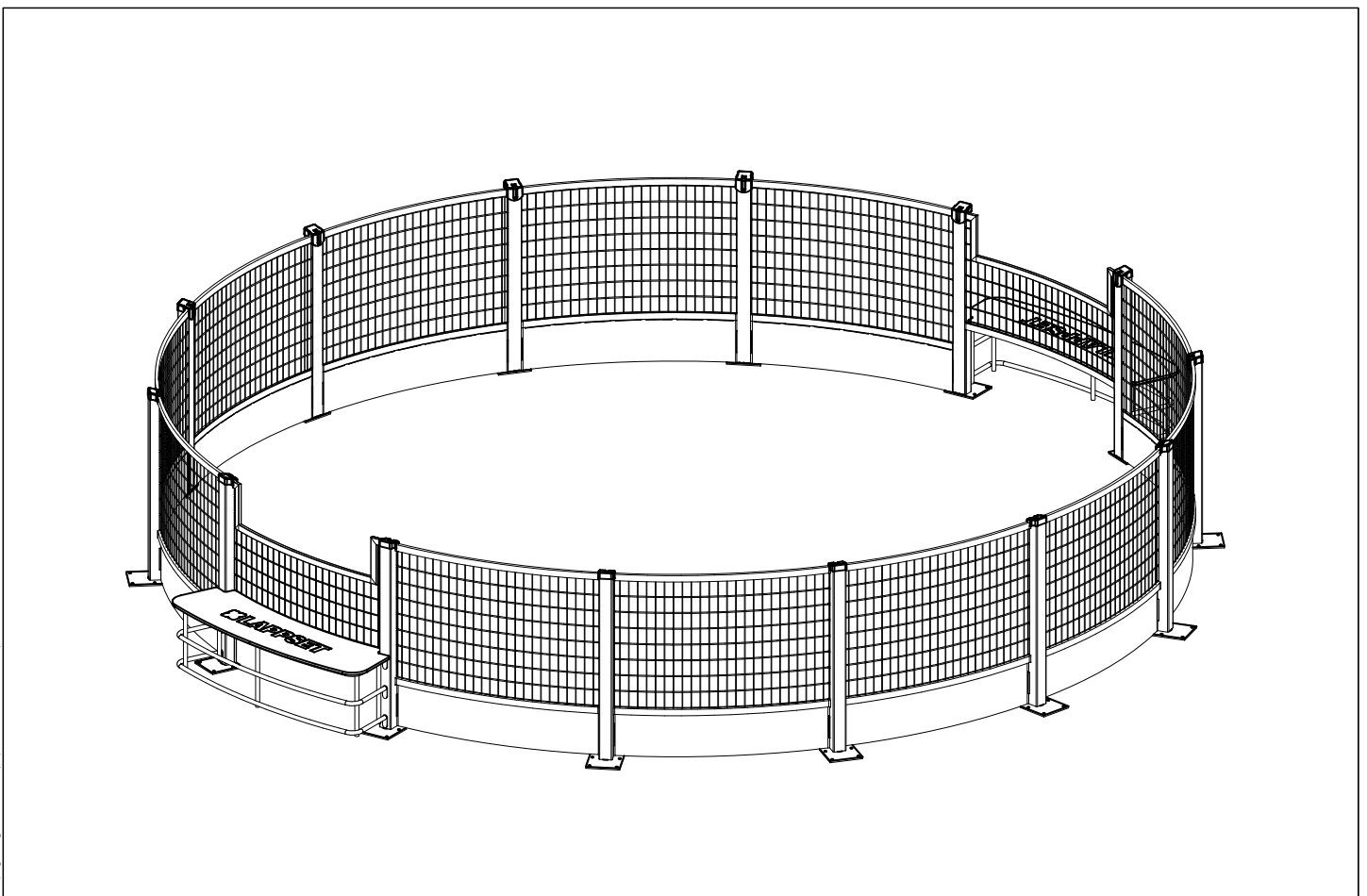
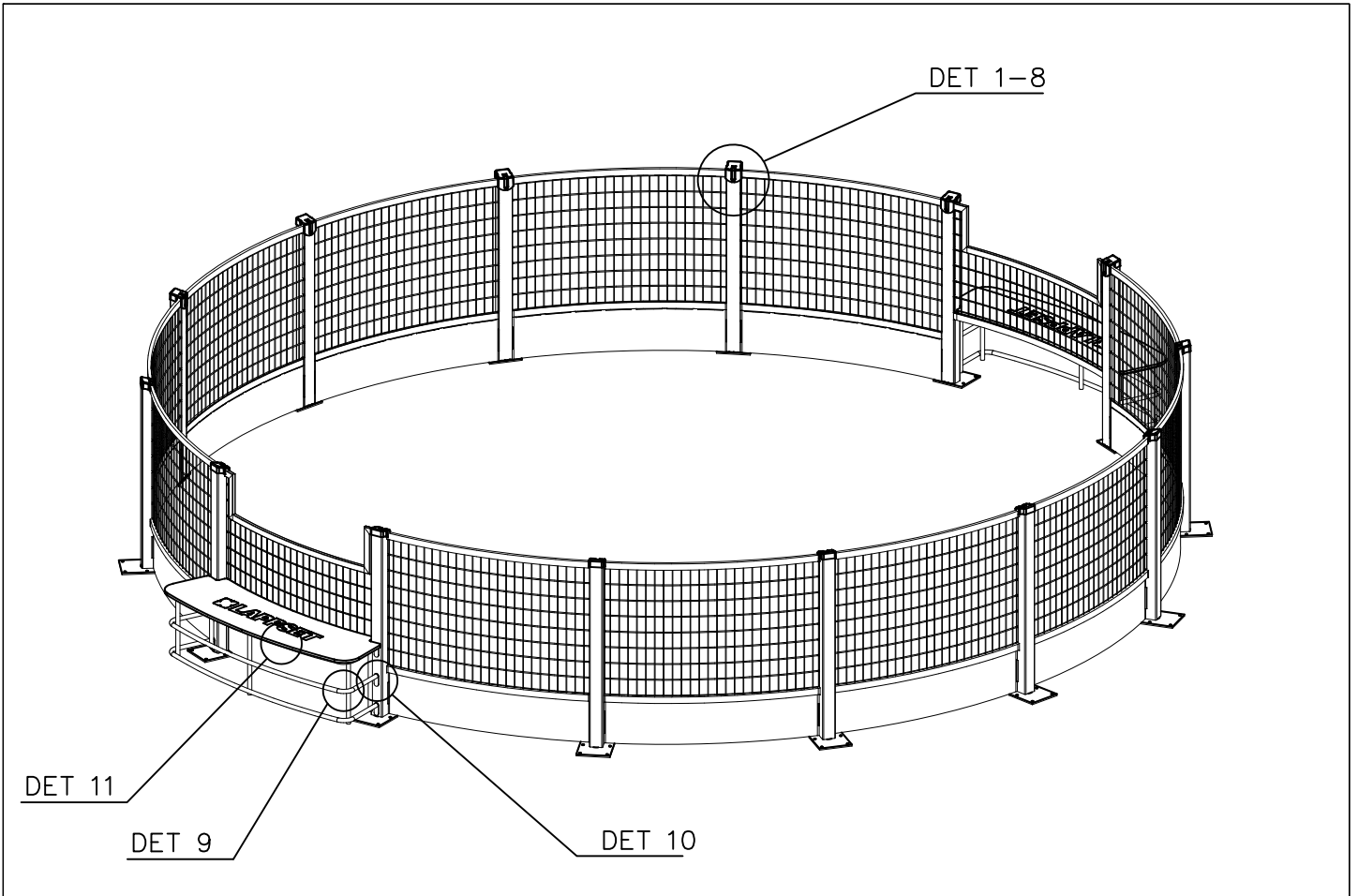
If the product is not installed on one large concrete platform, Option 1.



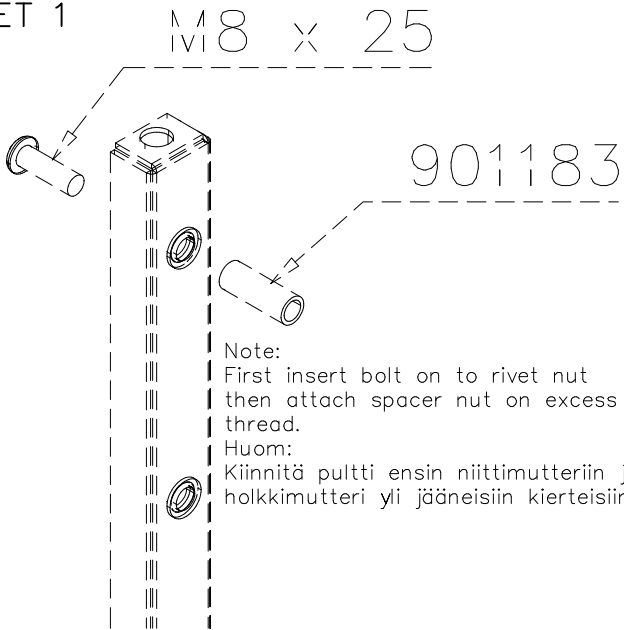
If the product is not installed on one large concrete platform, Option 2.



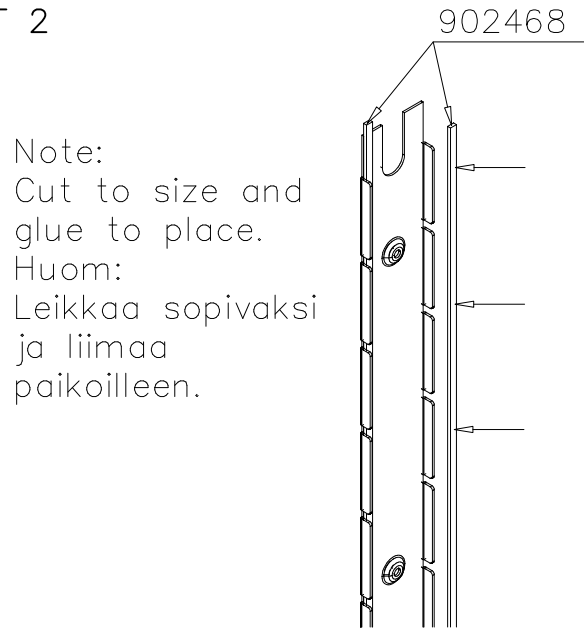




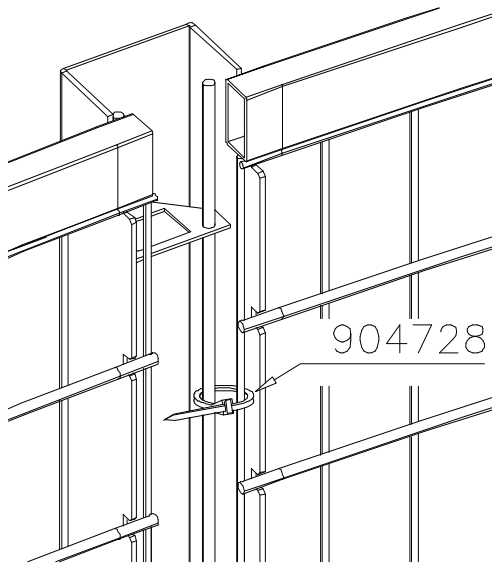
DET 1



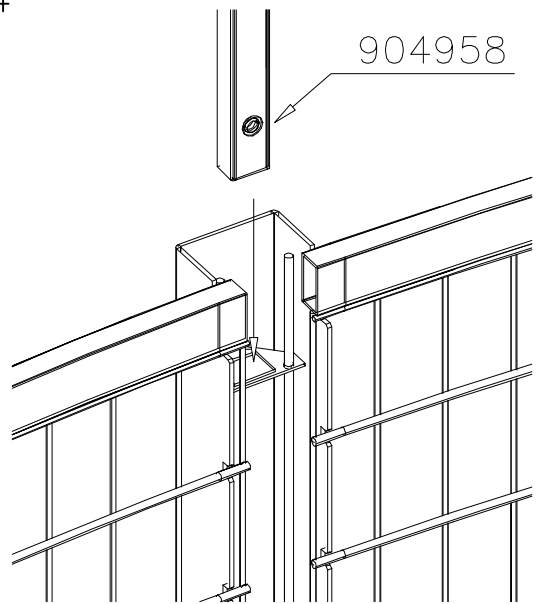
DET 2



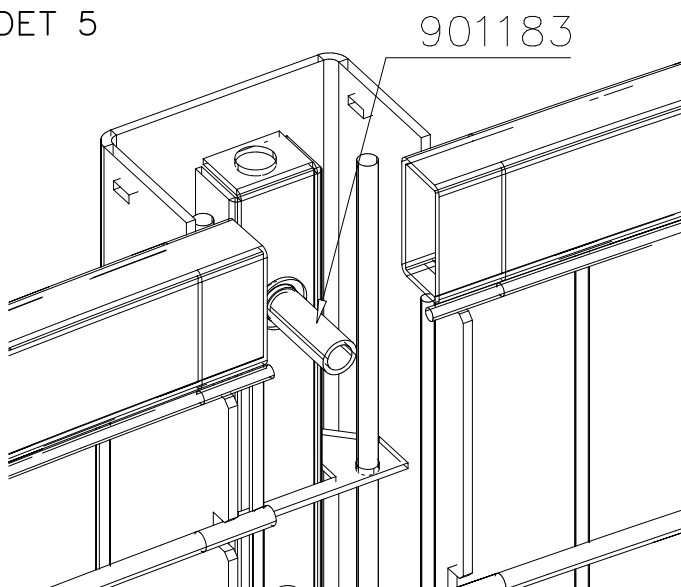
DET 3



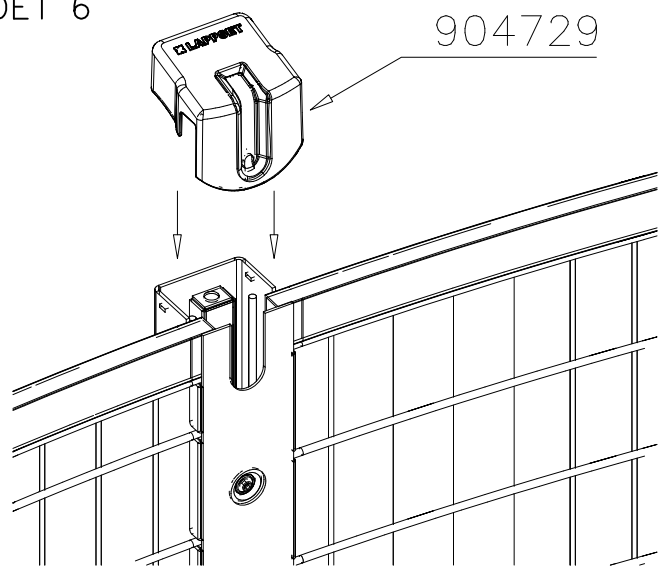
DET 4

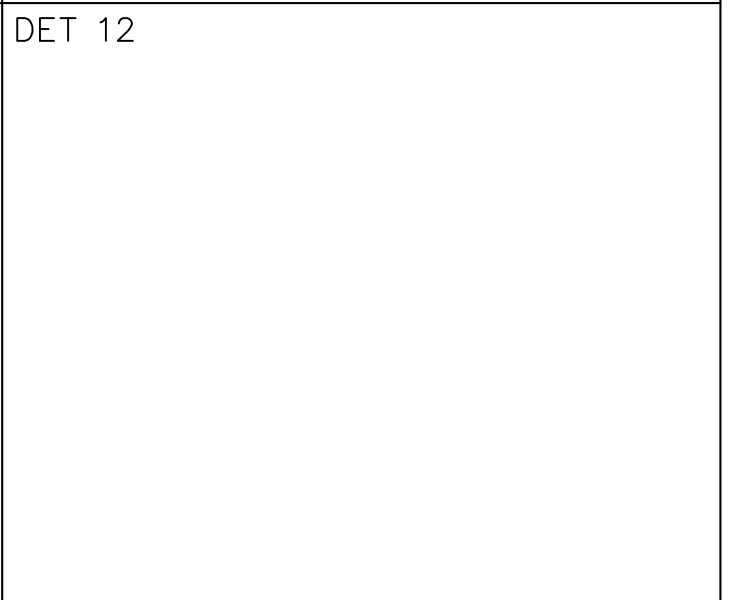
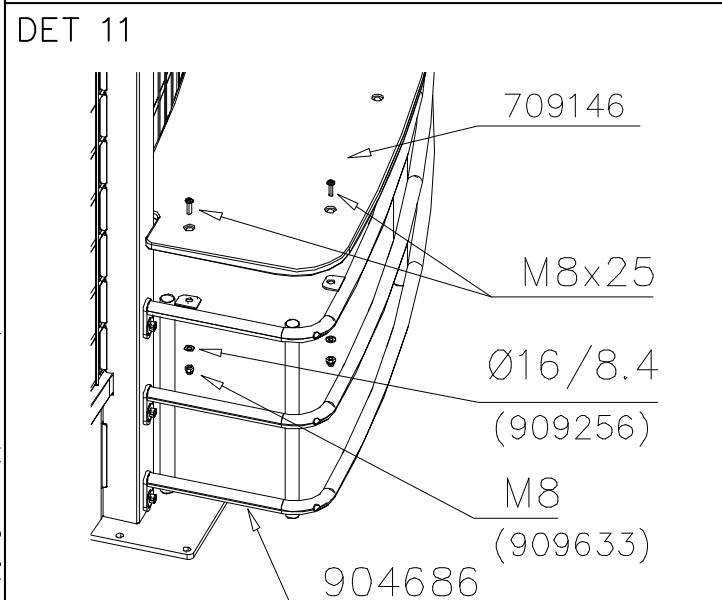
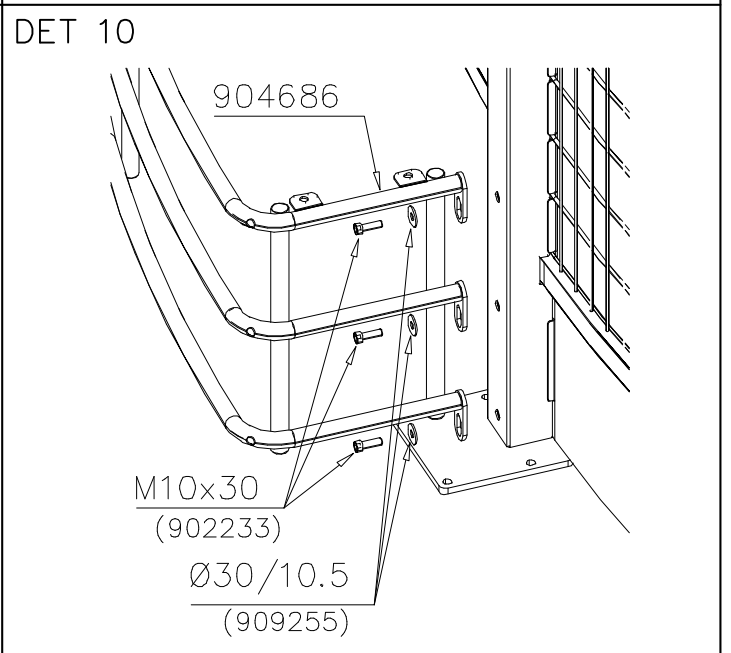
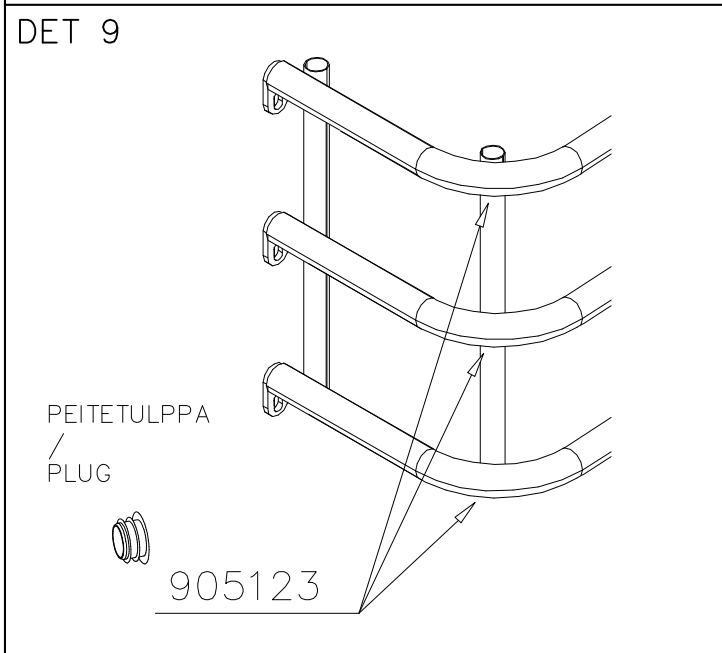
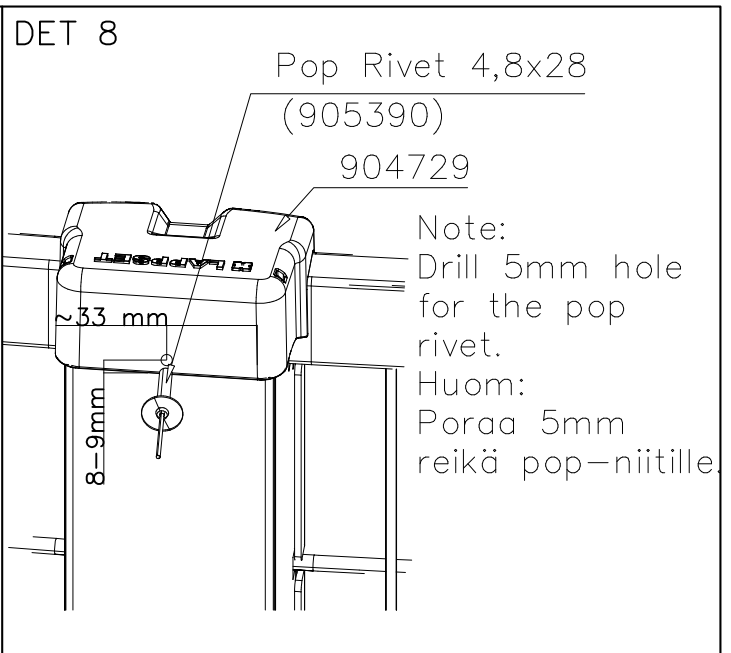
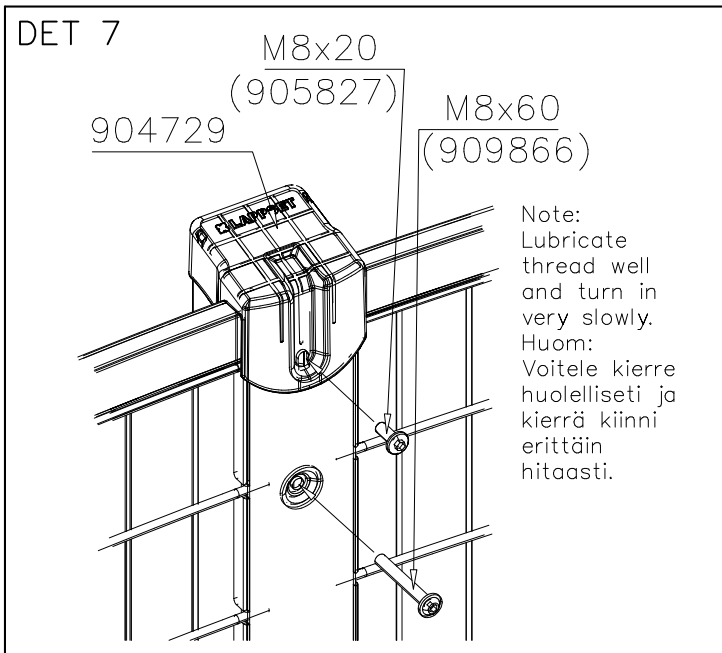


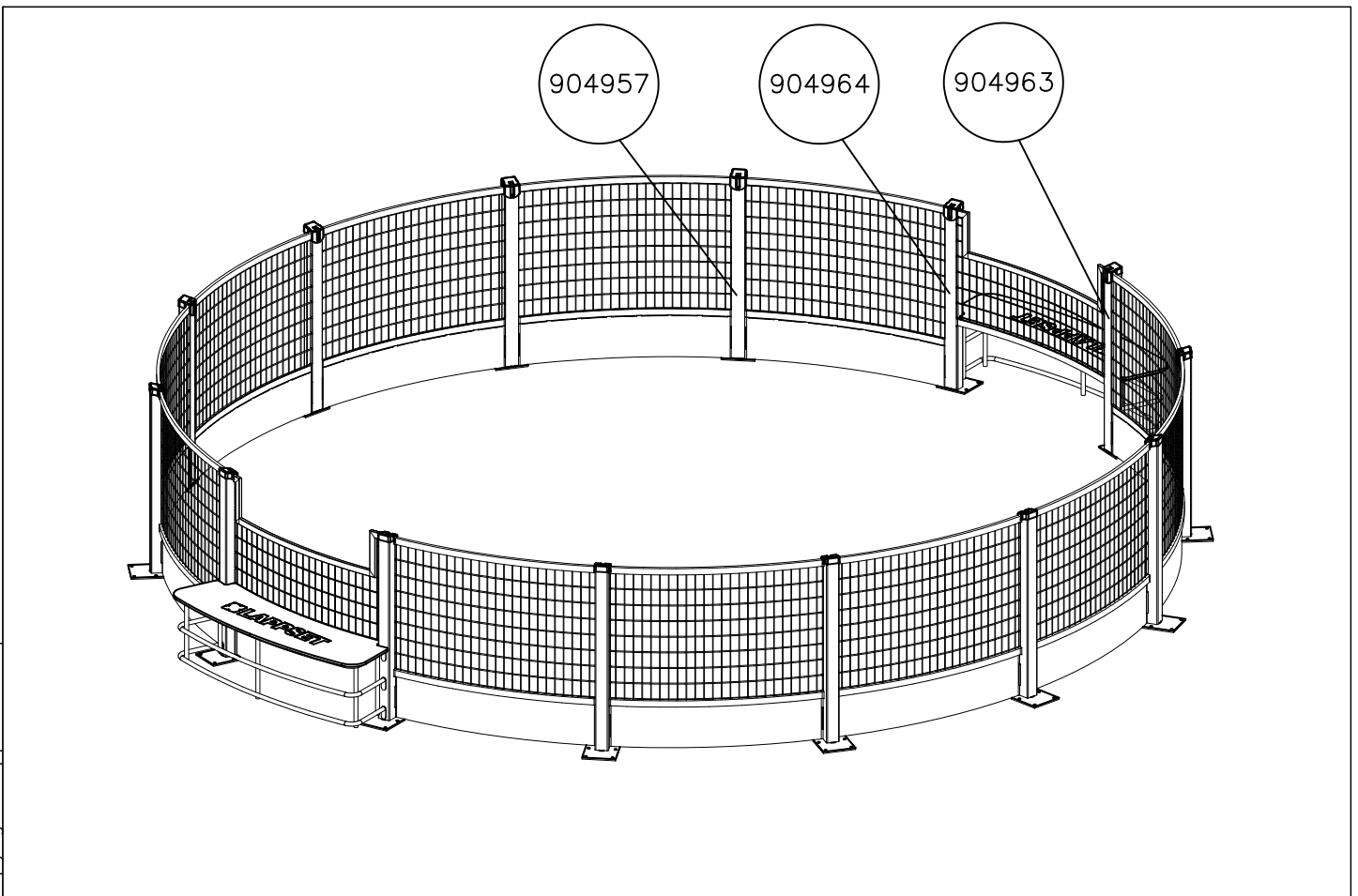
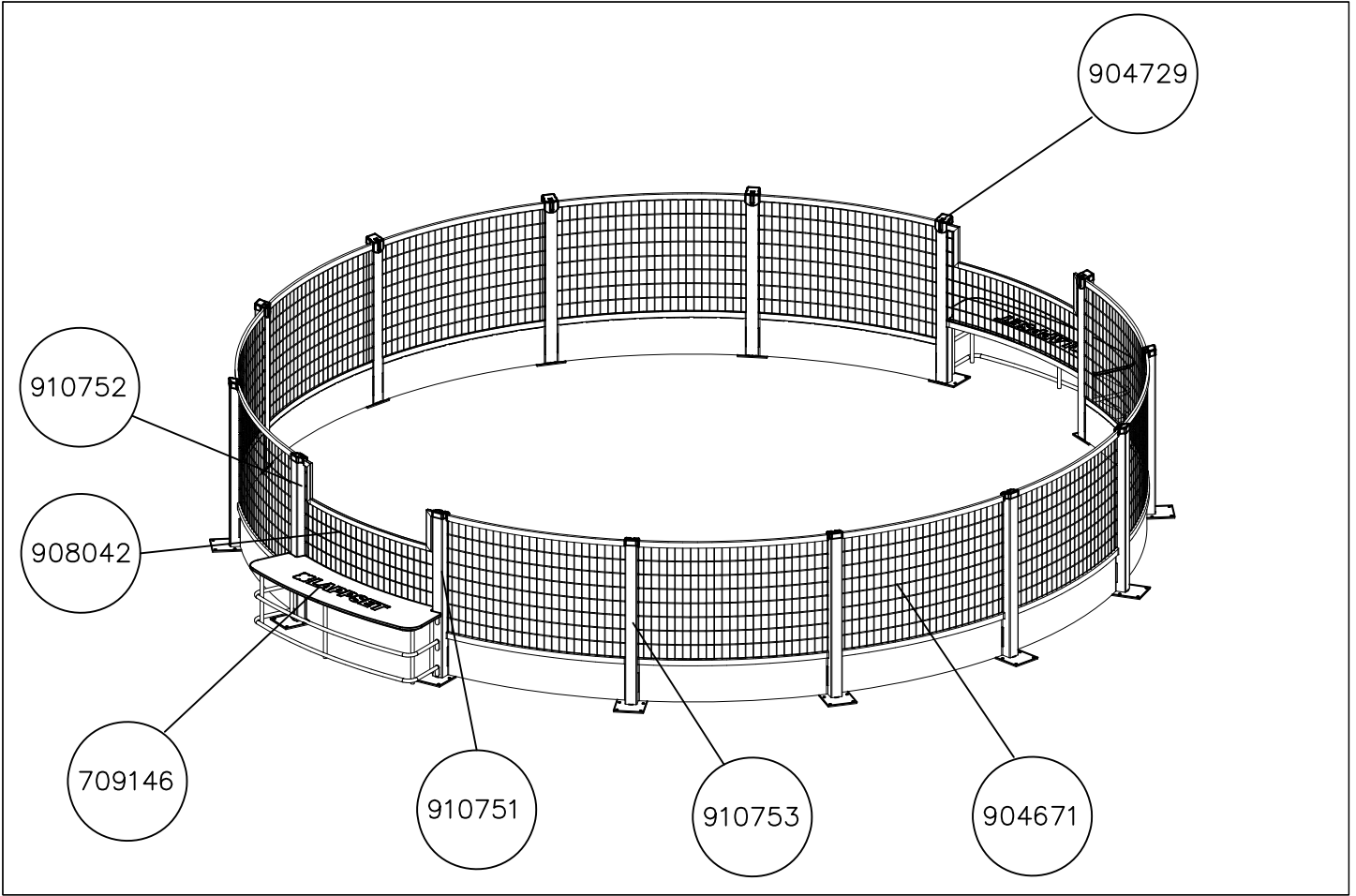
DET 5



DET 6







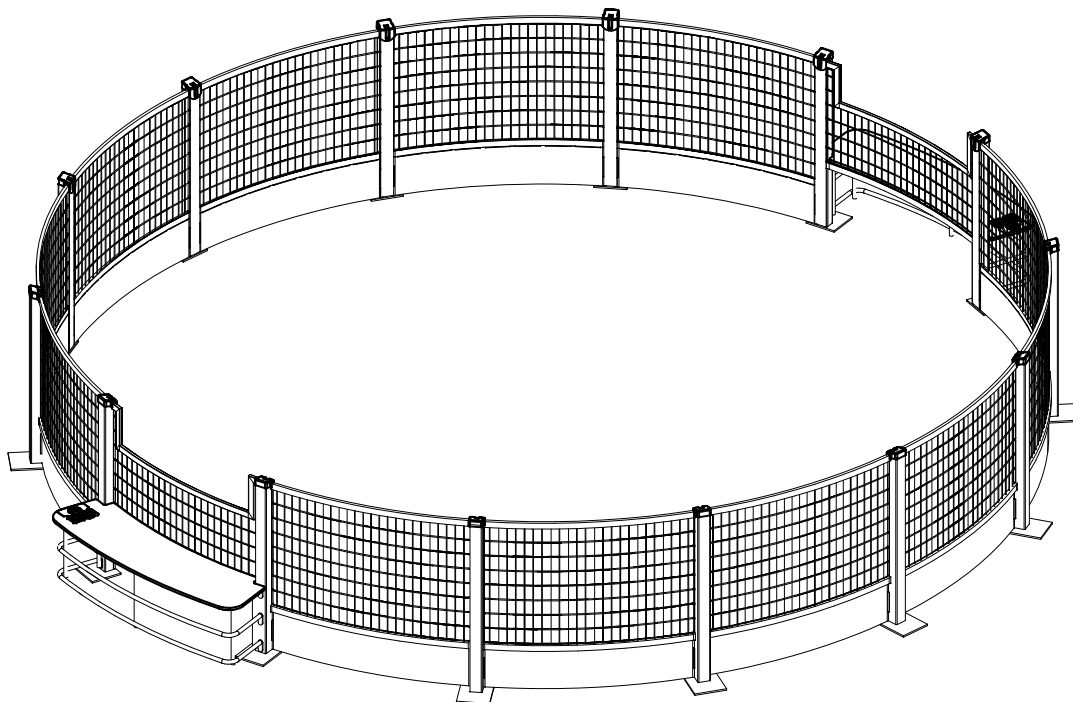
LAPPSET®

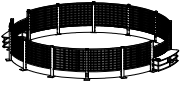
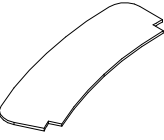
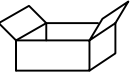
PANNA

ASENNUSOHJE
MONTERINGSANSVISNING
INSTALLATION INSTRUCTION
AUFBAUANLEITUNG
NOTICE D'INSTALLATION

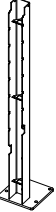
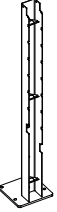
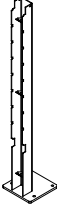
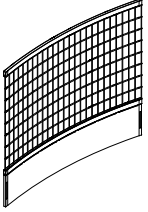
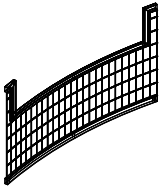

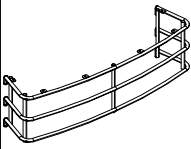



REF: 080902
DATE: 30.1.2015

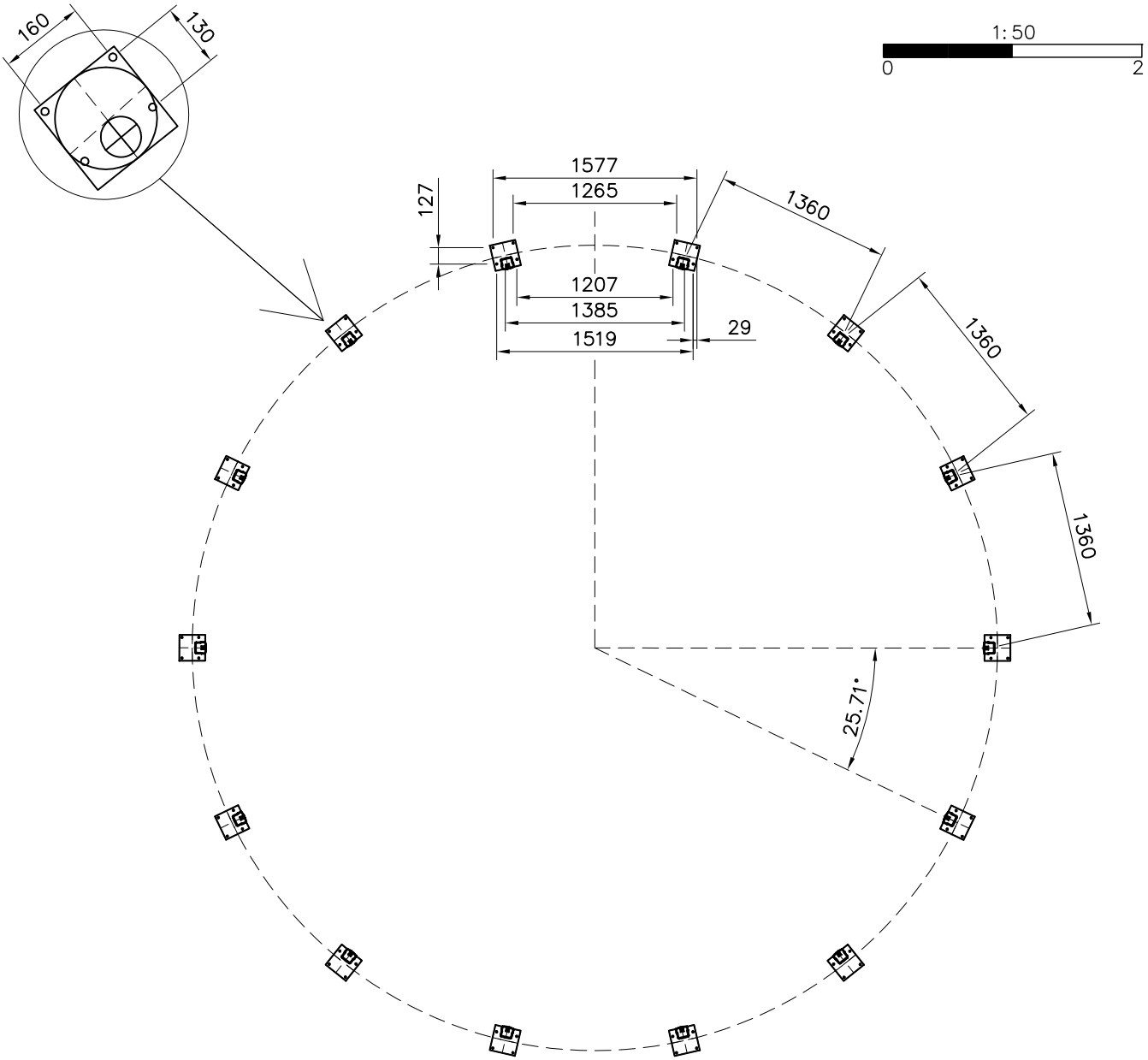
080902



| | | | | | | | | | | | |
|--|-----|---|-----|---|-----|--|-----|--|-----|--|-----|
| 904950 | PCS | 704229 | PCS | 705191 | PCS | | PCS | | PCS | | PCS |
|  | 1 |  | 2 |  | 1 | | | | | | |
| LOW | | 20x530x1562 | | | | | | | | | |
| | PCS | | PCS | | PCS | | PCS | | PCS | | PCS |
| | | | | | | | | | | | |
| | | | | | | | | | | | |

904950 =

| | | | | | | | | | | | |
|---|-----|---|-----|---|-----|---|-----|---|-----|---|-----|
| 904951 | PCS | 904955 | PCS | 904953 | PCS | 904671 | PCS | 908042 | PCS | 904958 | PCS |
|  | 2 |  | 2 |  | 10 |  | 12 |  | 2 |  | 14 |
| LEFT | | RIGHT | | | | | | | | | |
| 904686 | PCS | 904963 | PCS | 904964 | PCS | 904957 | PCS | | PCS | | PCS |
|  | 2 |  | 2 |  | 2 |  | 10 | | | | |
| GOAL | | LEFT | | RIGHT | | | | | | | |
| | PCS | | PCS | | PCS | | PCS | | PCS | | PCS |
| | | | | | | | | | | | |
| | | | | | | | | | | | |
| | PCS | | PCS | | PCS | | PCS | | PCS | | PCS |
| | | | | | | | | | | | |
| | | | | | | | | | | | |

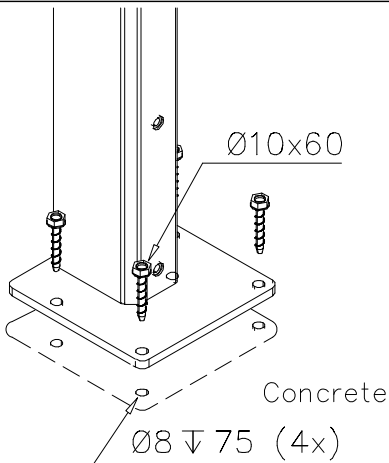


Kun käytetään keinonurmea

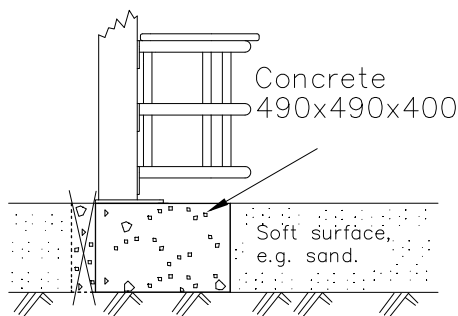
- 1) Ensin kannattaa liimata tekonurmen palaset yhteen (kaksi puolipallo mallista). Lisätietoja Saltex asennusohjeessa.
- 2) Kun liima on hyvin kuivunut niin rakennetaan Panna nurmen ympärille.

When using artificial grass

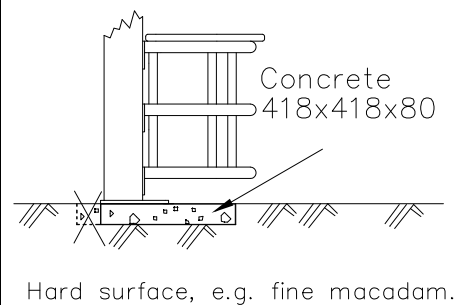
- 1) Install and glue the artificial grass (see the Saltex installation instructions)
- 2) Build Panna 080902 on the artificial grass (Panna 080902 assembling instructions)

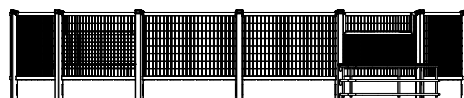
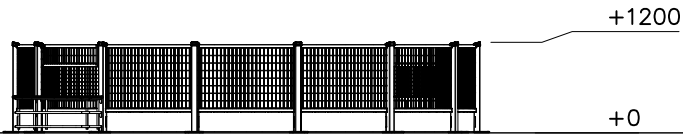
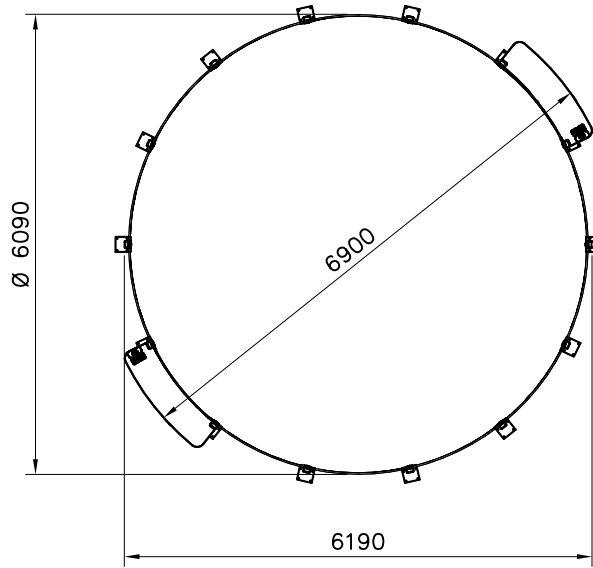
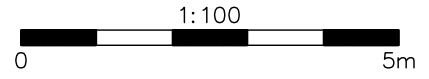


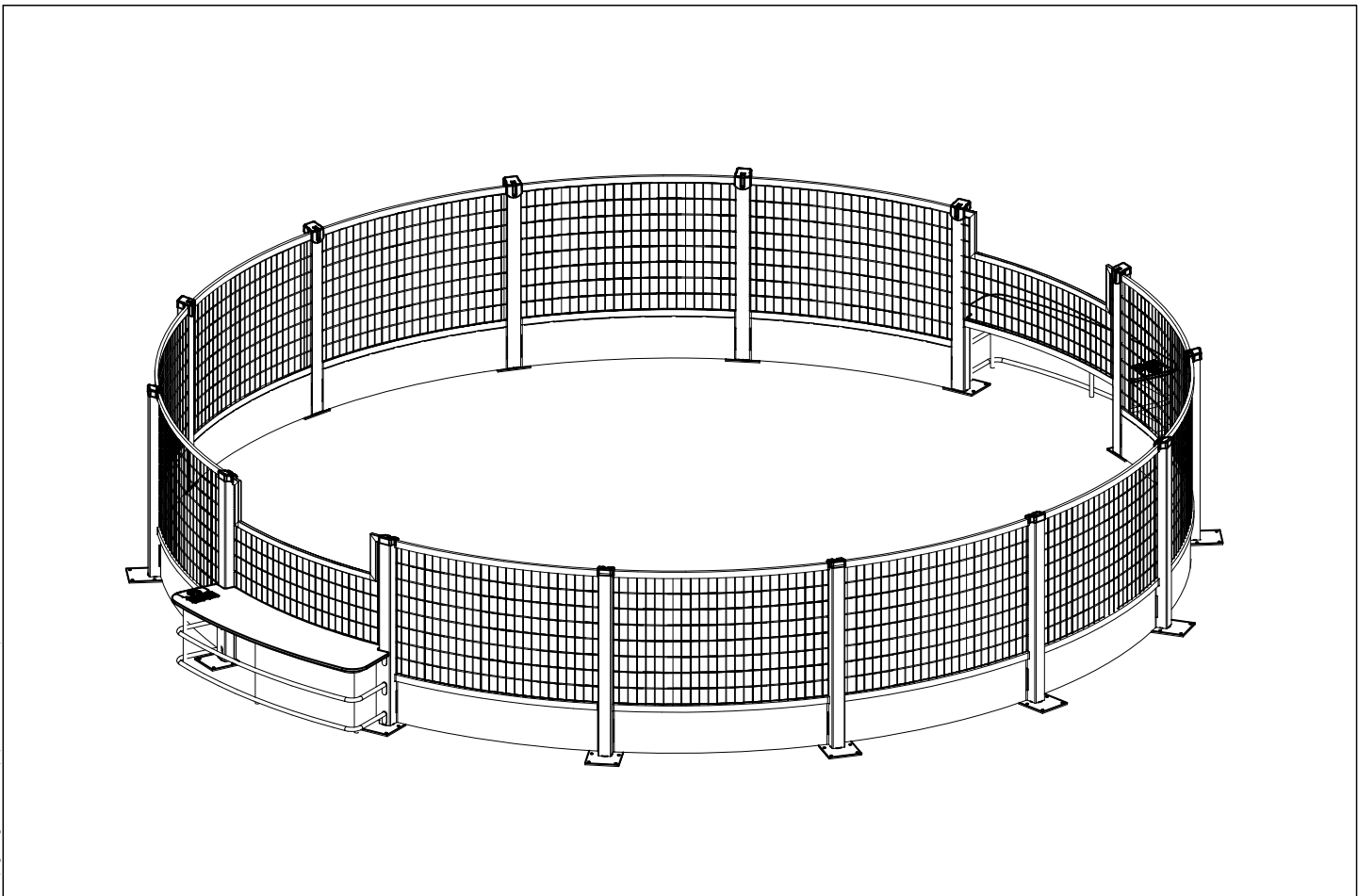
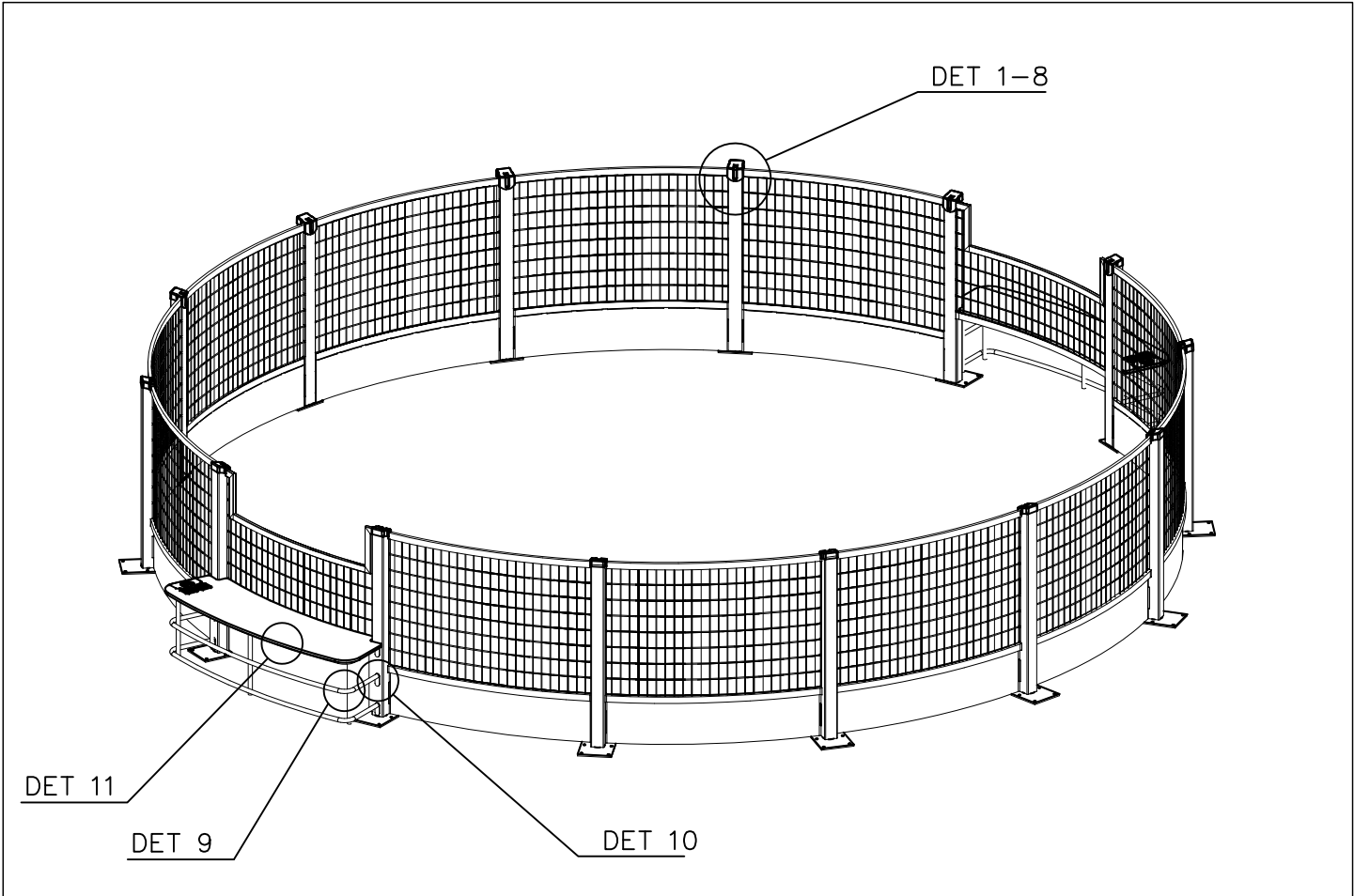
If the product is not installed on one large concrete platform, Option 1.



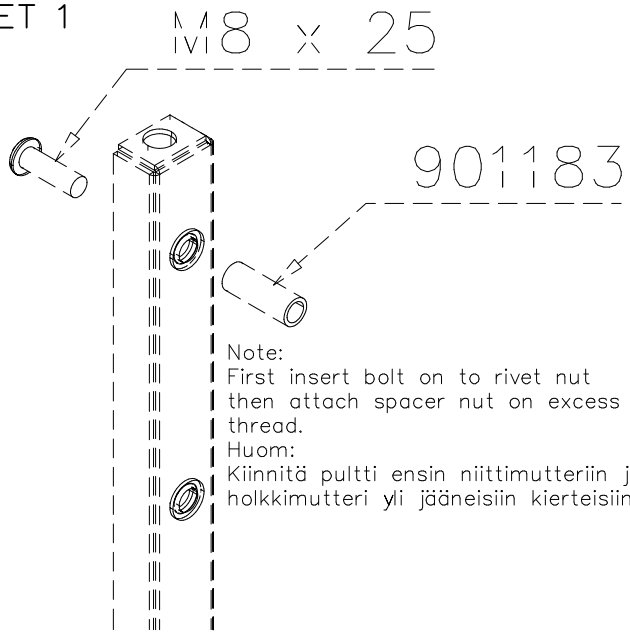
If the product is not installed on one large concrete platform, Option 2.



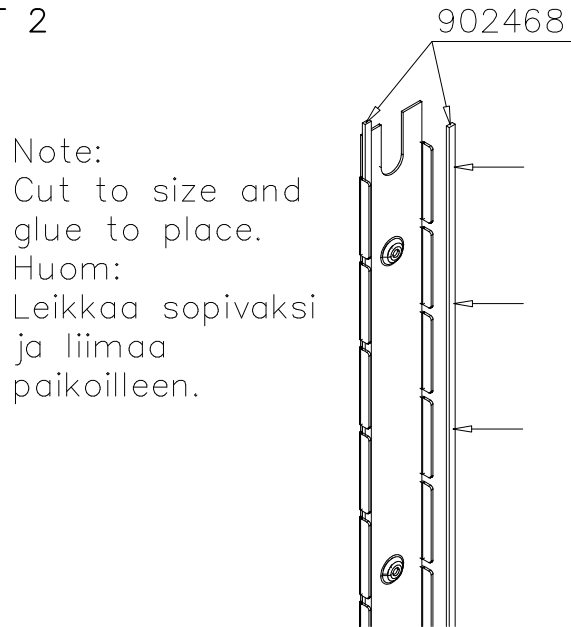




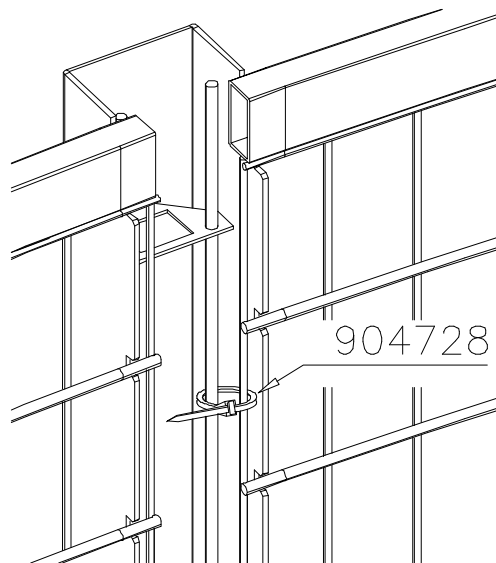
DET 1



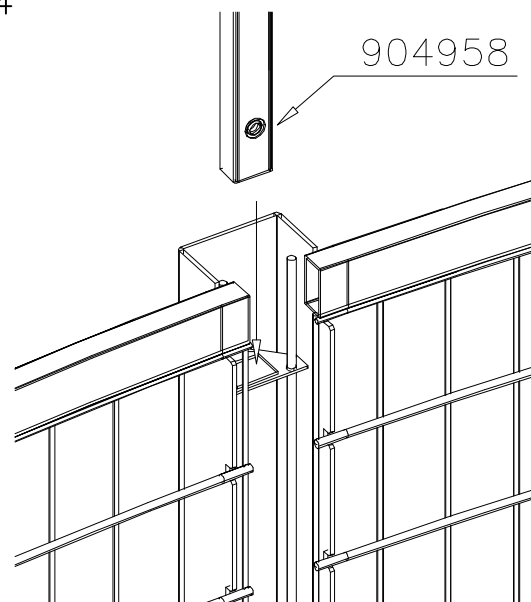
DET 2



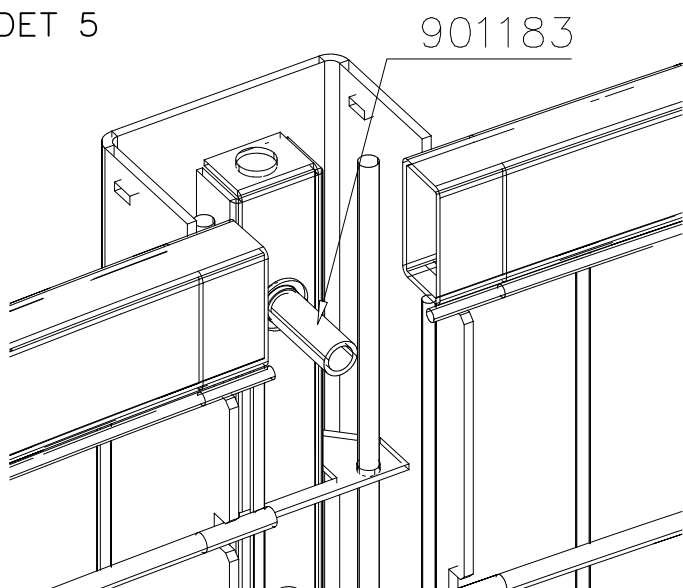
DET 3



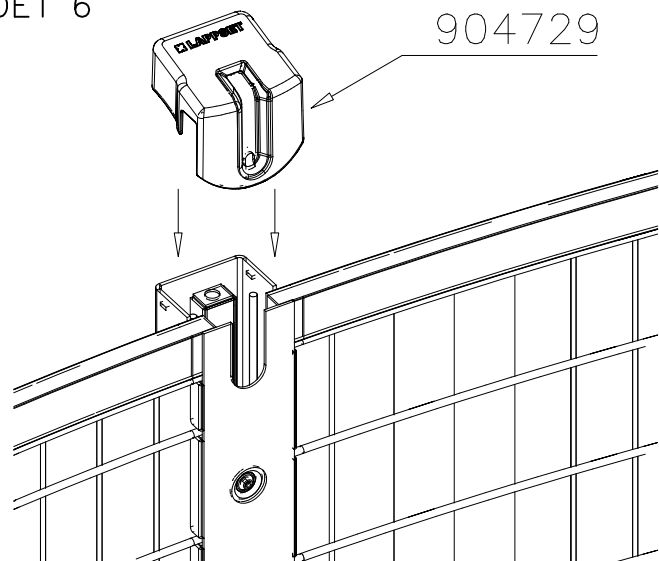
DET 4



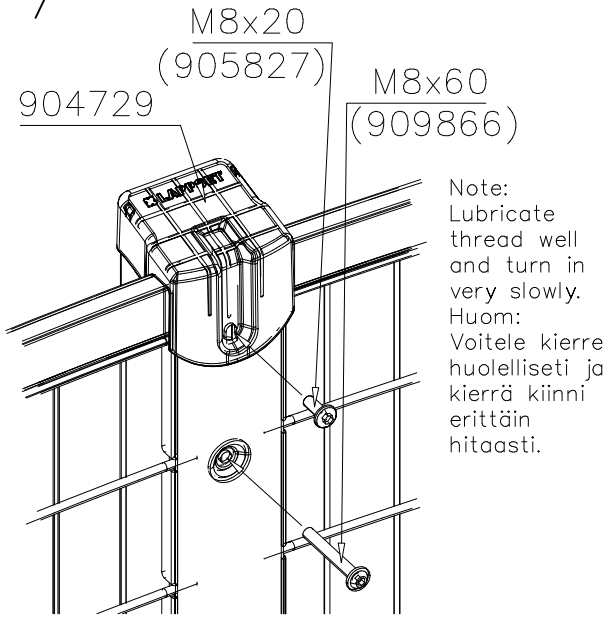
DET 5



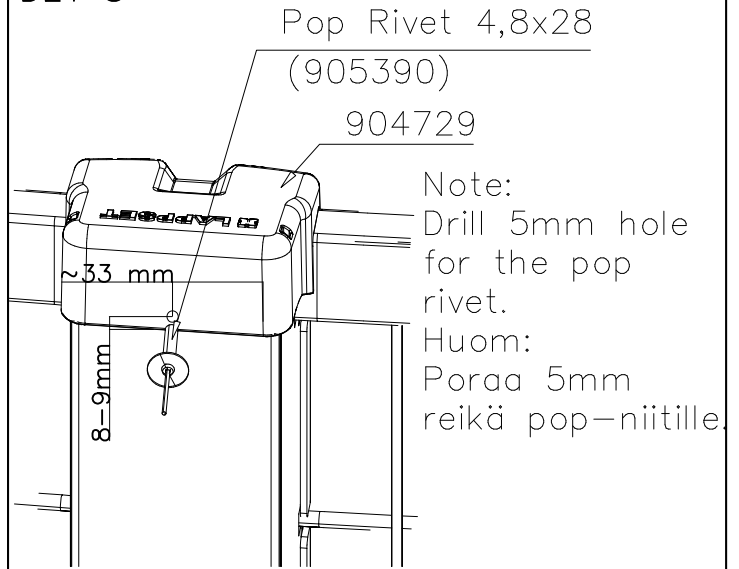
DET 6



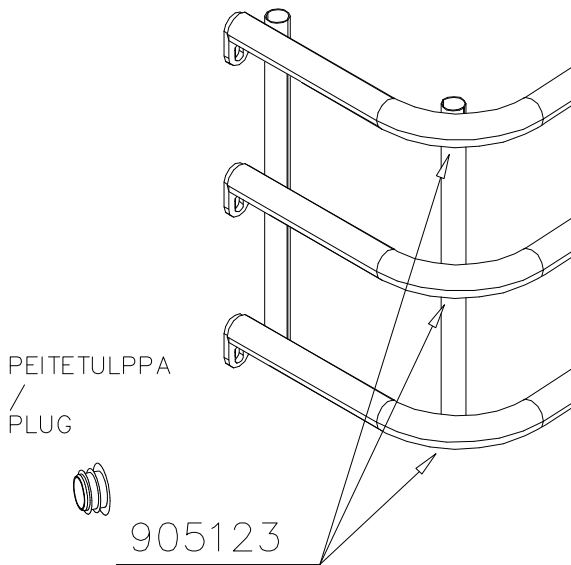
DET 7



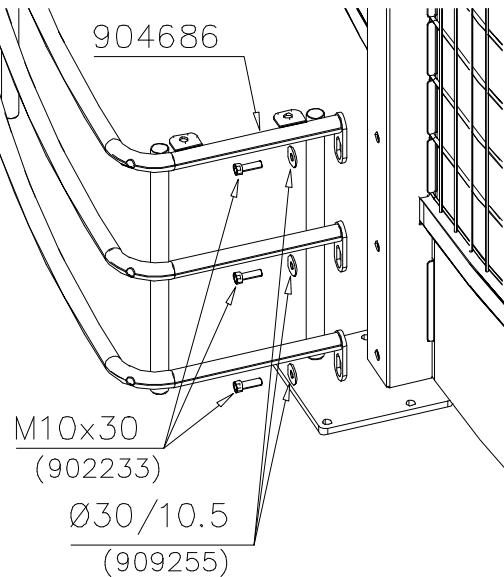
DET 8



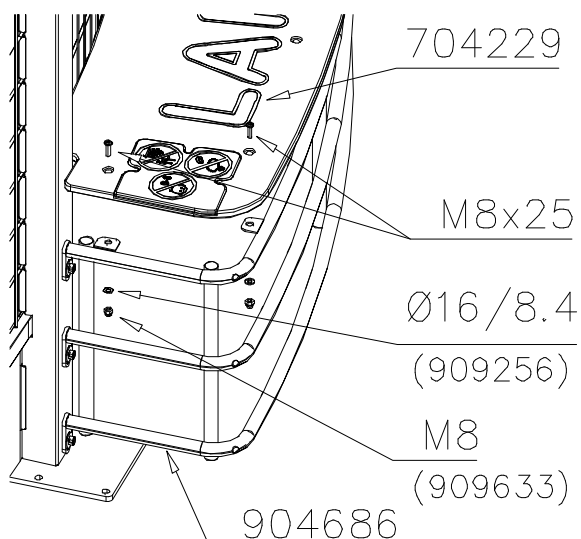
DET 9



DET 10



DET 11



DET 12

