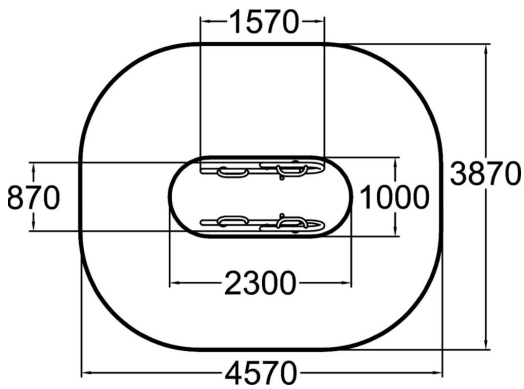




The Dip Bar comprises two curved bars with two hand grips and one footrest each. One set of hand grips is at a height of 912 mm and the other at 1,198 mm. Exercisers at all skill levels are sure to find suitable a version of the highly effective dip exercise using this equipment. Dips help to train the back, shoulder and arm muscles.



Product length, mm	1570
Product width, mm	820
Product height, mm	1200
Impact area, m ²	15.8
Falling space, m ²	15.8
Height required, mm	2700
Max. free fall height, mm	1200
Safety info	EN 16630, EN 1176-1 TÜV
Foundation options	deep_mounting surface_mounting

