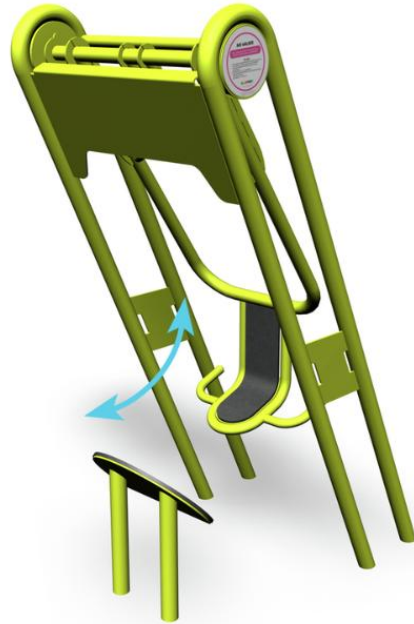
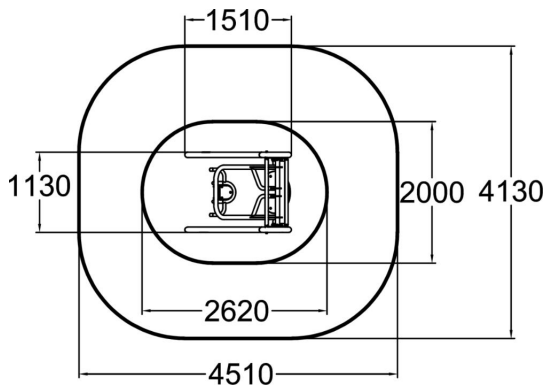


Leg Press



Improve your leg strength! The device includes a seat with hand grips, a footrest and the support for the seat. The total height is 2,560 mm, and the seat is at 710 mm. The Leg Press provides a squat-like motion, but it is lighter and can be done more slowly. It works on the large muscles of the thighs, buttocks and calves. Leg strength is essential in our everyday lives. All moving parts are equipped with ball bearings, which ensure pleasant movements for the user. Ball bearings also guarantee a long product life. The ball bearings are permanently lubricated and do not require regular maintenance. Leg press can be installed on loose fill material also.



Product length, mm	1510
Product width, mm	1130
Product height, mm	2560
Height required, mm	2210
Max. free fall height, mm	710
Safety info	EN 16630 TÜV
Foundation options	surface_mounting

