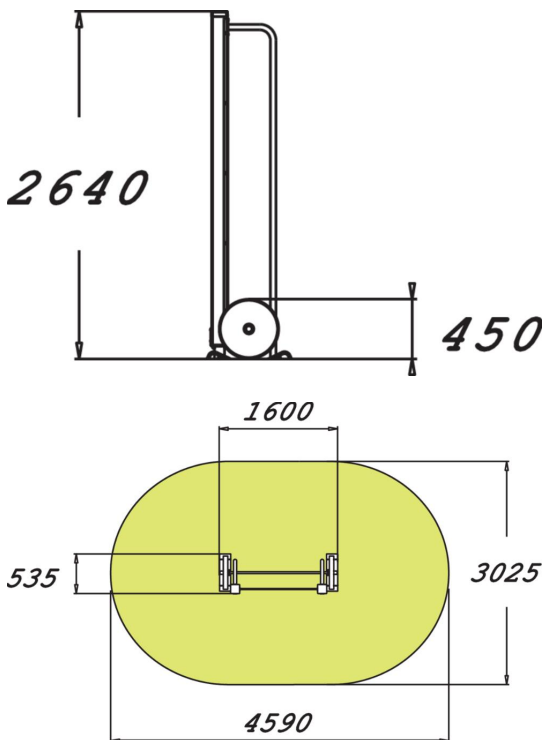




The Barbell M is a 2,640 mm tall, 35-kilogram weight-lifting bar. It is suitable for example for deadlifts, front squats and shoulder presses. The barbell is also suitable for aerobic exercise consisting of as many repetitions as possible in a short time. The barbell can be used for dozens of exercises for total body fitness.



Product length, mm	1600
Product width, mm	535
Product height, mm	2640
Installation time (for 1), H	4
Foundation options	surface_mounting