



<p>① 706021 PCS 1 M10x20</p>	<p>② 909500 PCS 4 M10x20</p>	<p>⑬ 980123 PCS 24 Ø7x60</p>	<p>⑱ 909256 PCS 24 Ø16/8.4</p>
<p>③ 980114 PCS 4 Ø4x20</p>	<p>④ 904450 PCS 8 M16x170</p>	<p>⑭ 906642 PCS 6 Ø50/45x20</p>	<p>⑳ 980129 PCS 20 Ø5x35</p>
<p>⑤ 905104 PCS 8 M10</p>	<p>⑥ 905780 PCS 2 120x120x150</p>	<p>⑰ 705322 PCS 2 120x120x2500</p>	<p>㉑ 905817 PCS 2 2626X386X60</p>
<p>⑦ 906770 PCS 4 Ø74/48x2</p>	<p>⑧ 905830 PCS 2 123x123x40</p>	<p>㉒ 906577 PCS 2 30x30x3x2250</p>	<p>㉒ 907560 PCS 2 Ø90/46-33</p>
<p>⑨ 906637 PCS 1 L=1590</p>	<p>⑩ 906596 PCS 2 Ø450 15kg</p>		
<p>⑪ 906605 PCS 1 L=1060</p>	<p>⑫ 908976 PCS 2 Ø98/45x44</p>		
<p>⑬ 705542 PCS 2 L=1060</p>	<p>⑭ 980104 PCS 2 Ø5x90</p>		
<p>⑮ 909628 PCS 16 M10x100</p>			

		
<p>$h < 600$</p> <p>Without movement and therefore without Impact Area</p>	<p>Totally hard surfaces.</p> <p>Note. Lappset does <u>not recommend</u> totally hard surfaces at all.</p>	<p>E.g. concrete or asphalt</p> 
<p>$h < 600$</p> <p>With movement e.g. rocking</p>	<p>Materials with very limited impact attenuating properties.</p>	<p>E.g. wood</p> 
<p>$h < 1000$</p>	<p>Materials with significant impact attenuating properties.</p>	<p>fine gravel 0–8 mm</p>  <p>grass</p>  <p>unsorted sand</p> 
<p>$h < 3000$</p>	<p>Loose fill material</p> <p>E.g. sand/gravel 0,25...8 mm D60/D10<3,0 Woodchips 5...30 mm bark 20...80 mm</p>	 <p>\underline{S} \underline{h}</p> <p>30 cm < 2,0 m</p> <p>40 cm < 3,0 m</p>
	<p>Syntethic granulates</p> <p>\underline{S} \underline{h}</p> <p>40 mm ~> 1,2...1,3 m</p> <p>50 mm ~> 1,5...1,7 m</p> <p>60 mm ~> 1,8...2,0 m</p> <p>70 mm ~> 2,1...2,5 m</p> <p>Note. For accurate values, see manufacturer's instructions.</p>	

REMOVE SAFETY SURFACE/SAND/GRAVEL
TO CHECK FOUNDATION

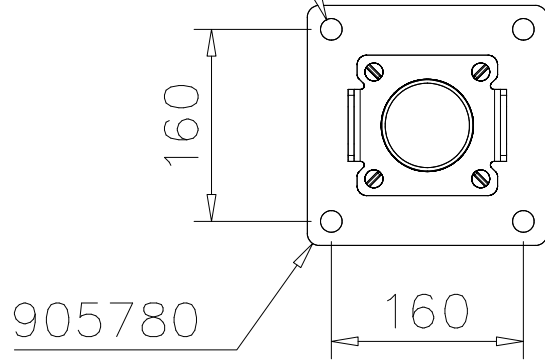


REMOVE SAFETY SURFACE/SAND/GRAVEL
TO CHECK FOUNDATION

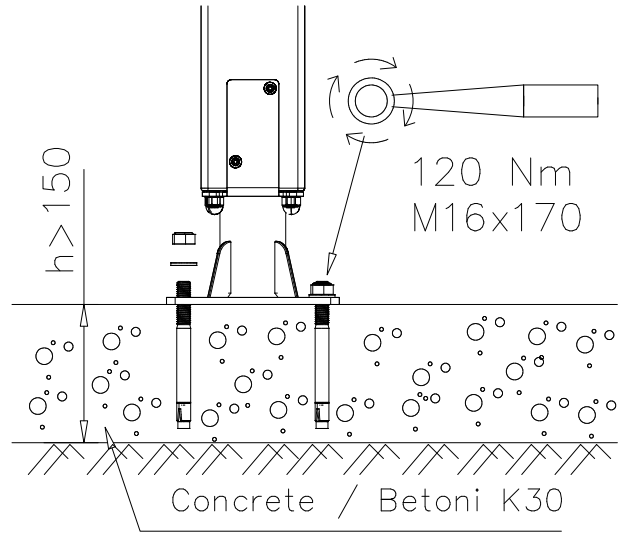


DET 1

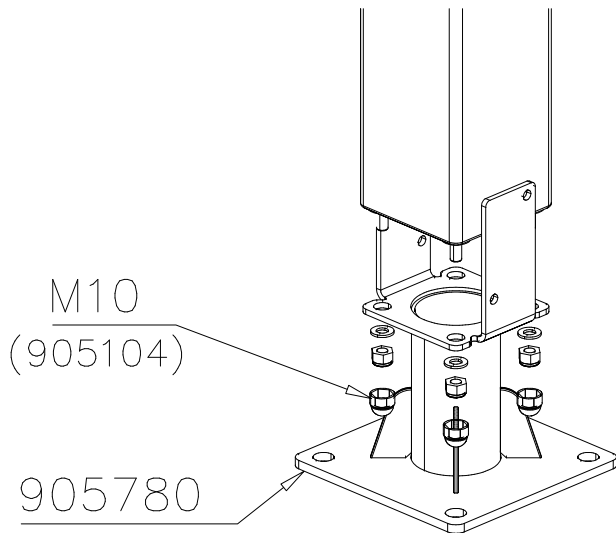
$\varnothing 16 \downarrow > 130$



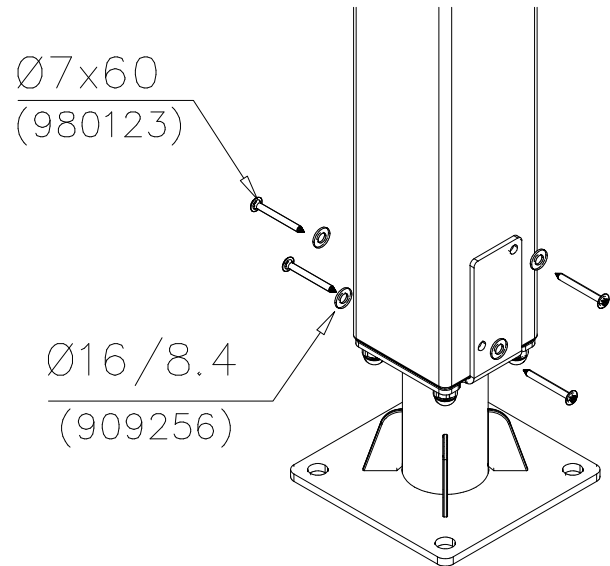
DET 2



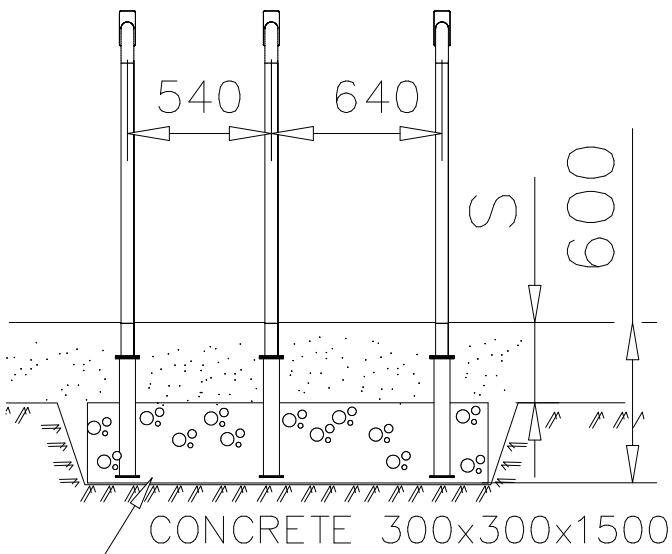
DET 3



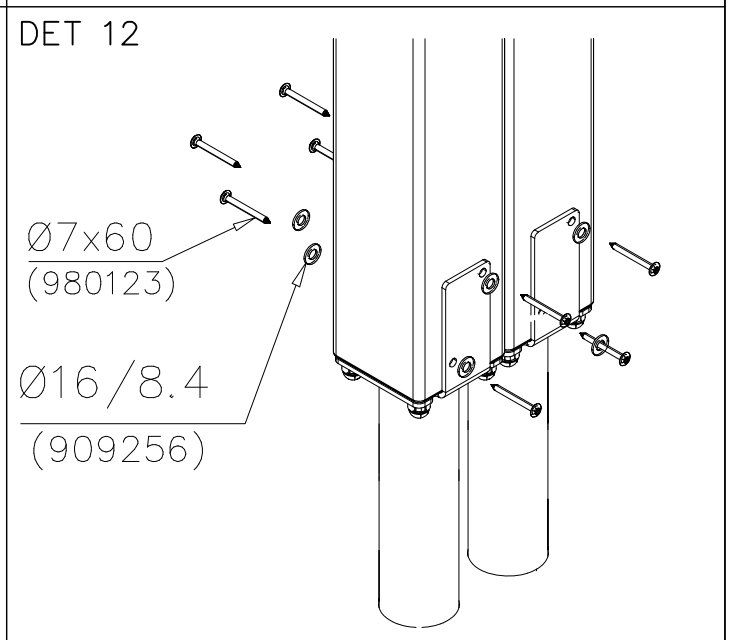
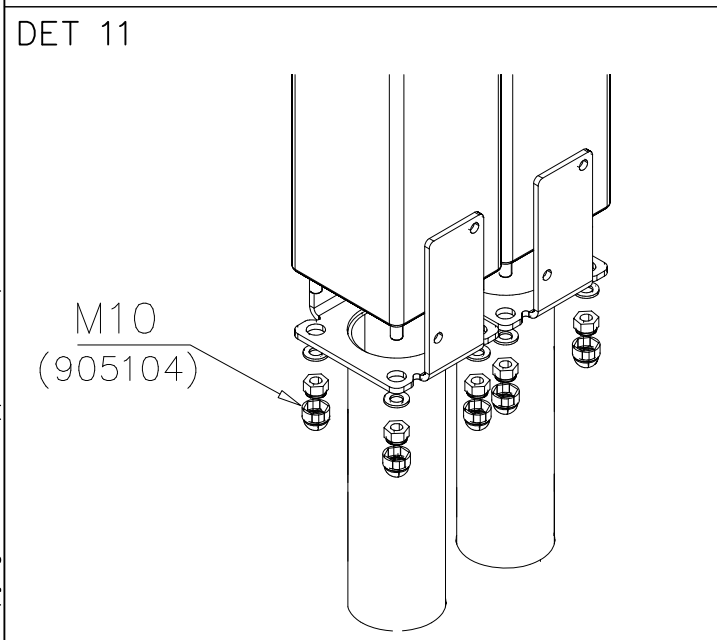
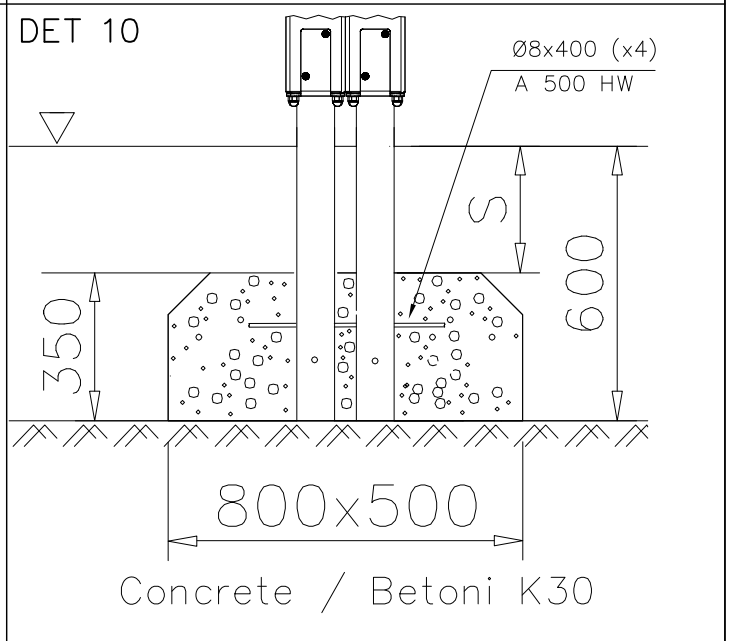
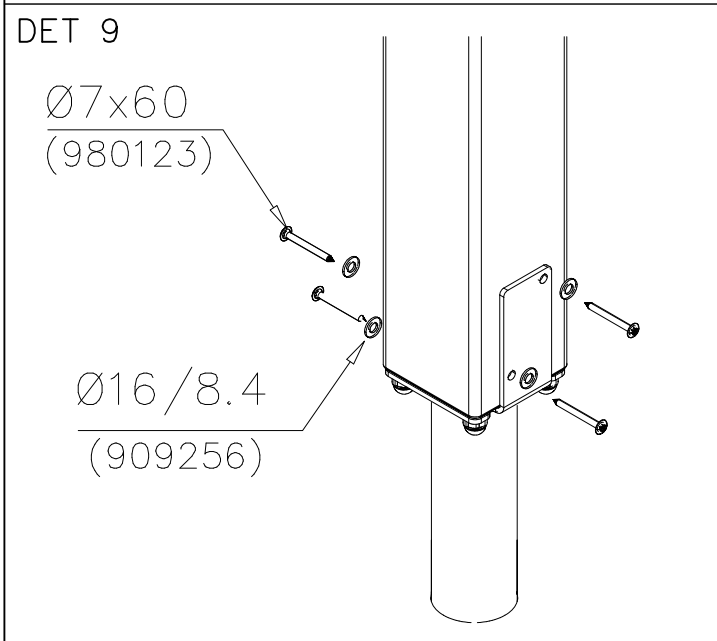
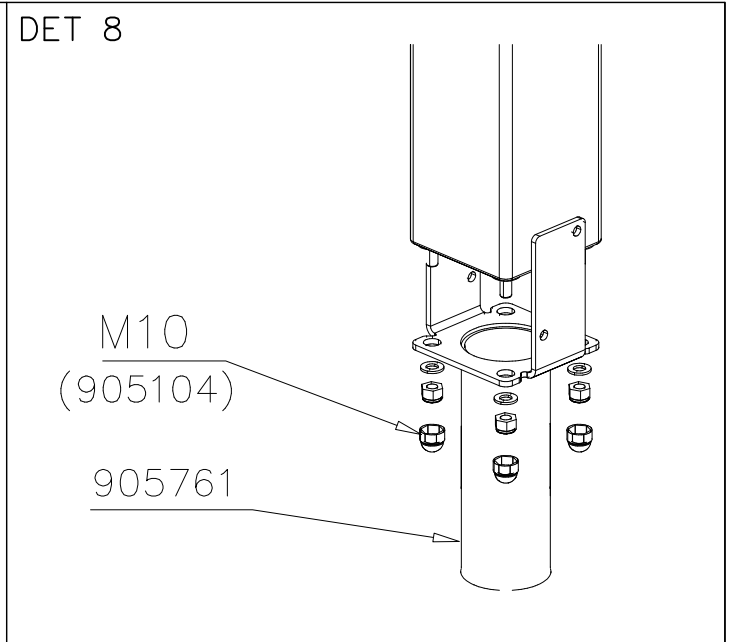
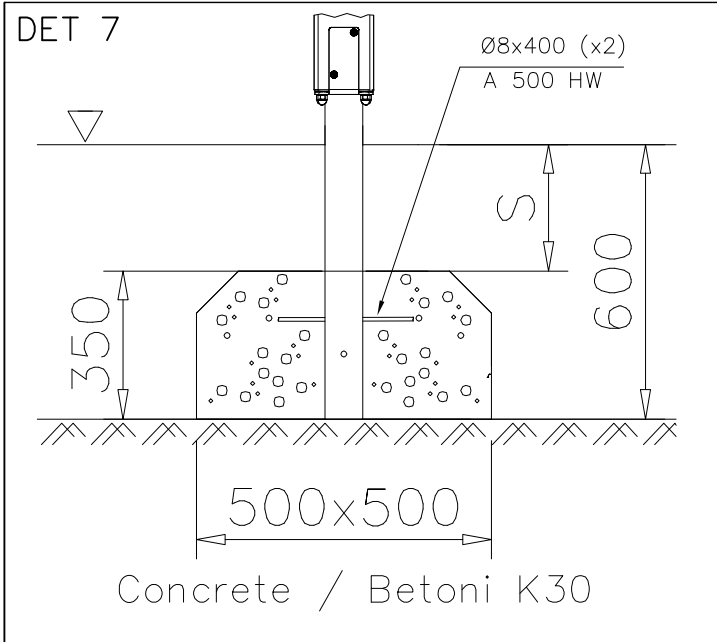
DET 4



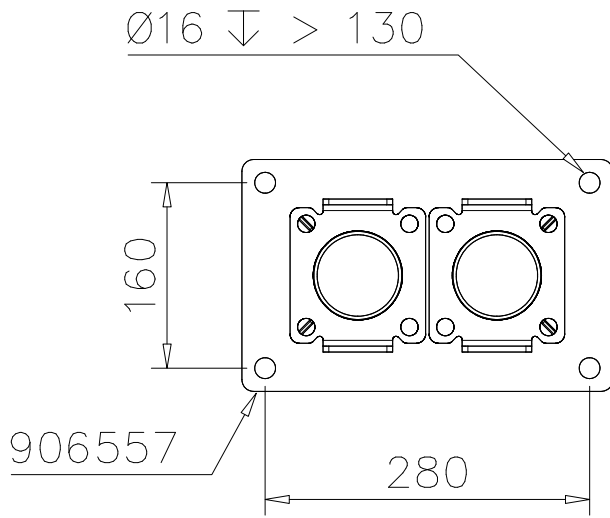
DET 5



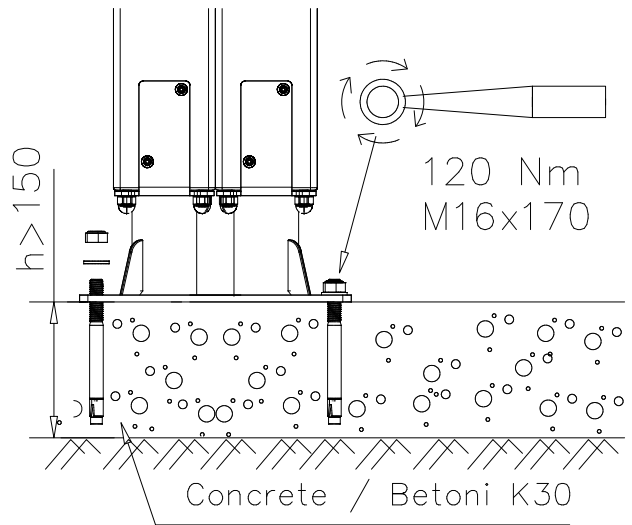
DET 6



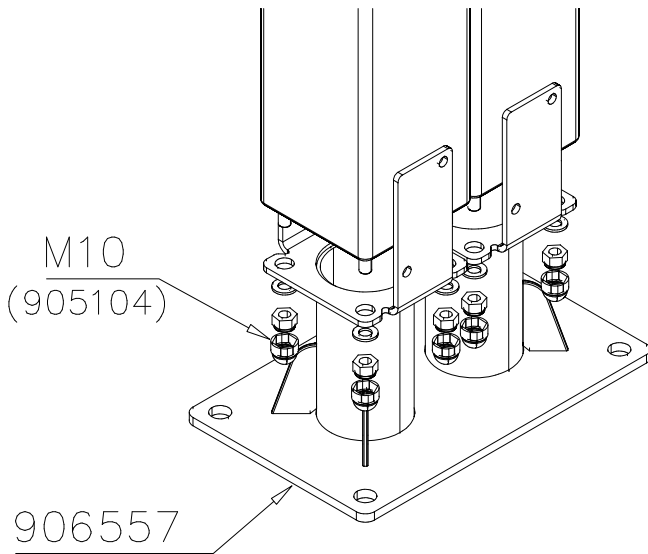
DET 13



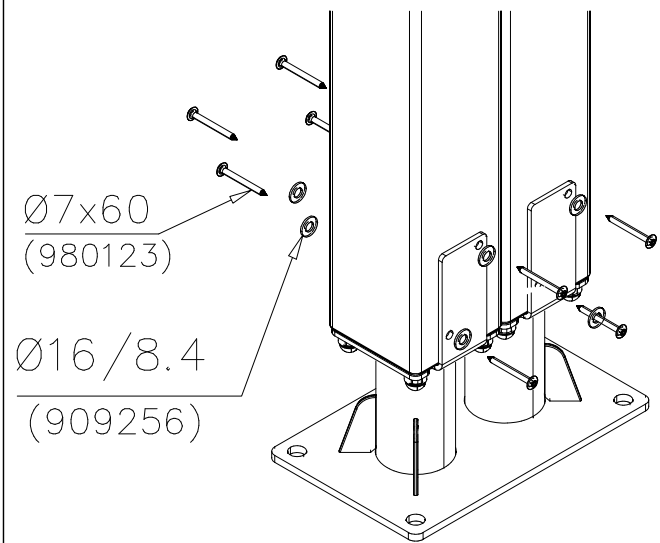
DET 14



DET 15



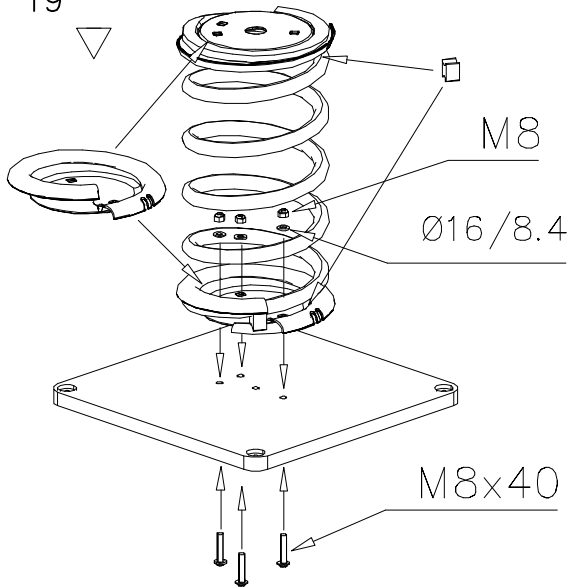
DET 16



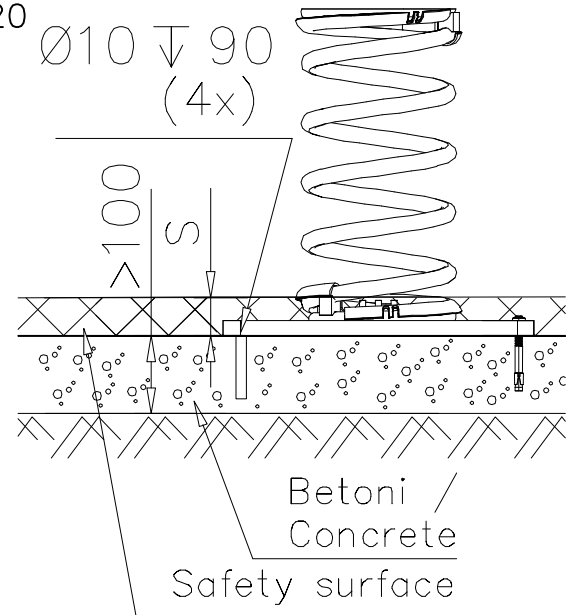
DET 17

DET 18

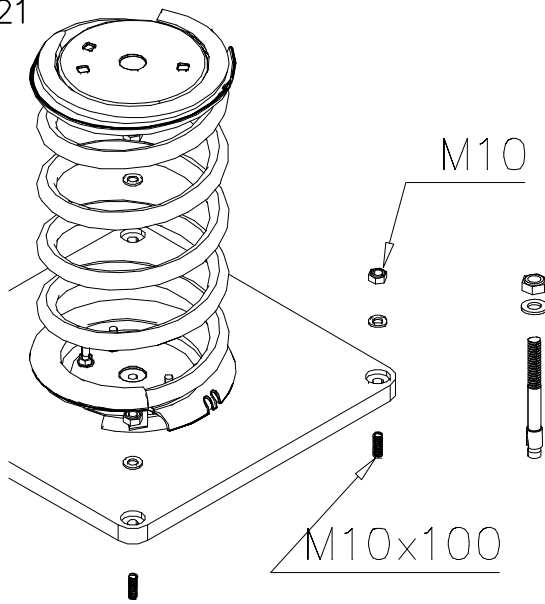
DET 19



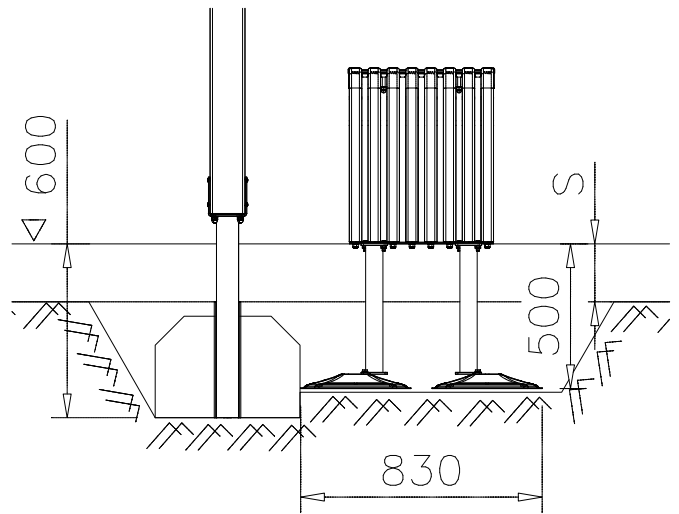
DET 20



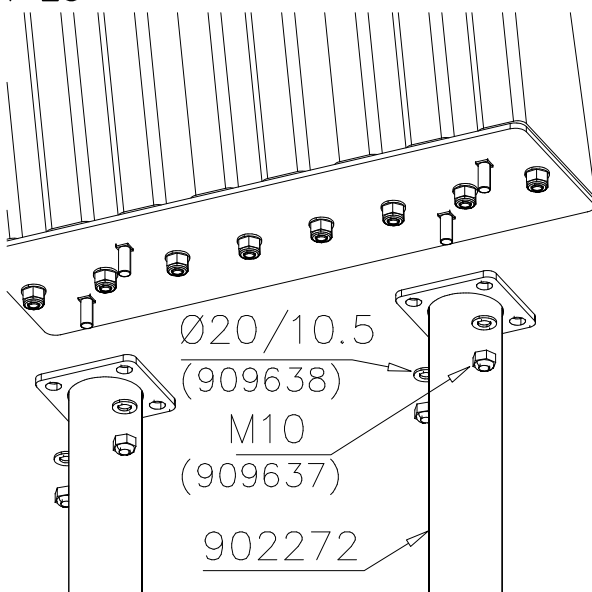
DET 21



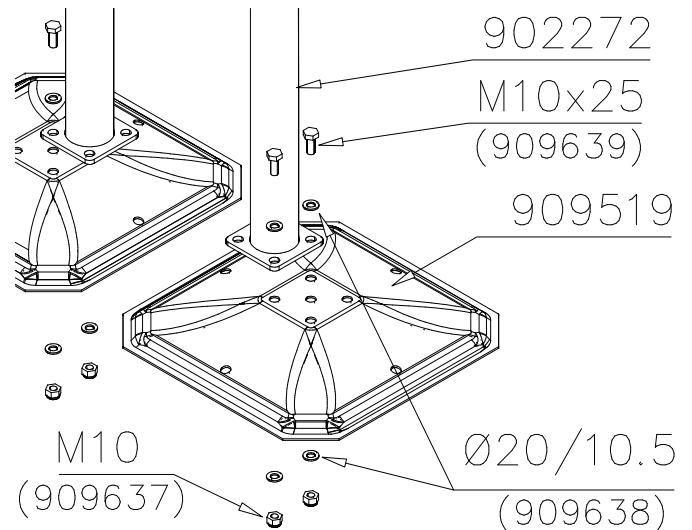
DET 22

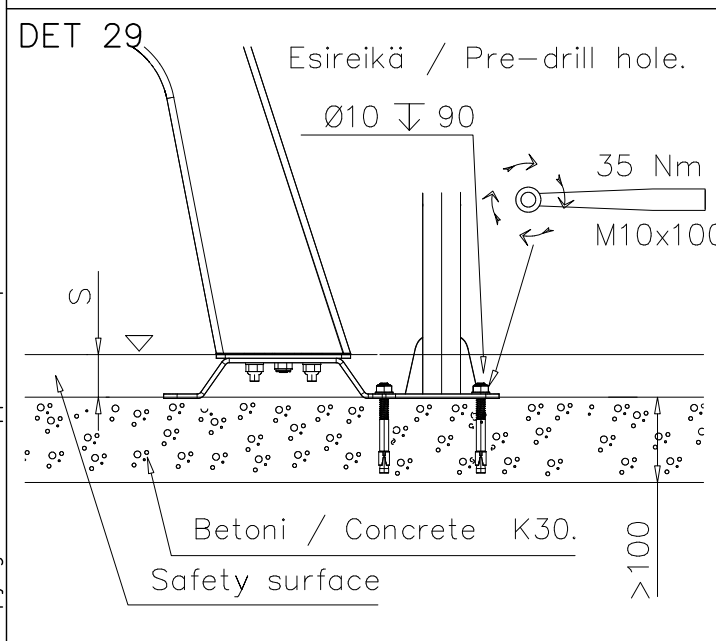
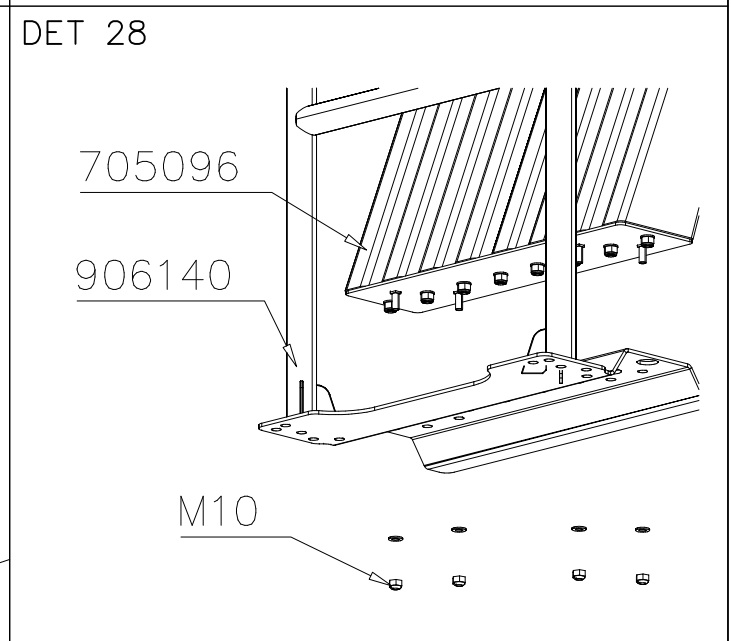
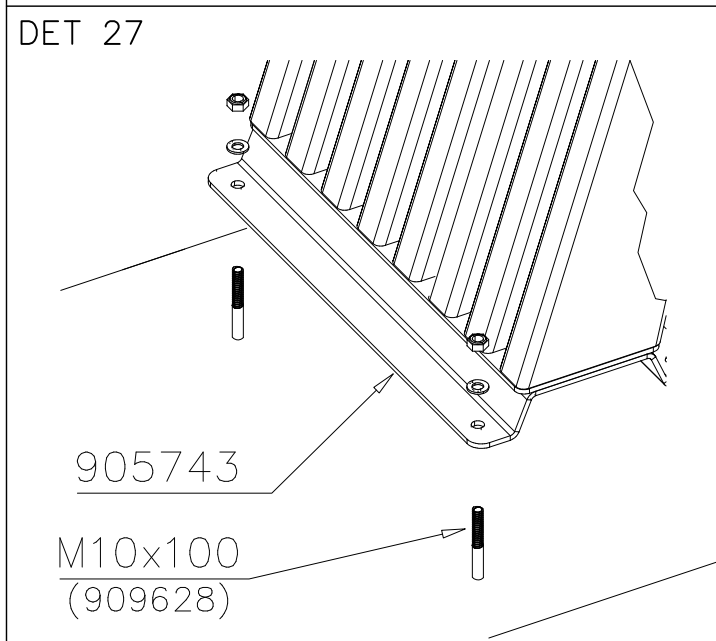
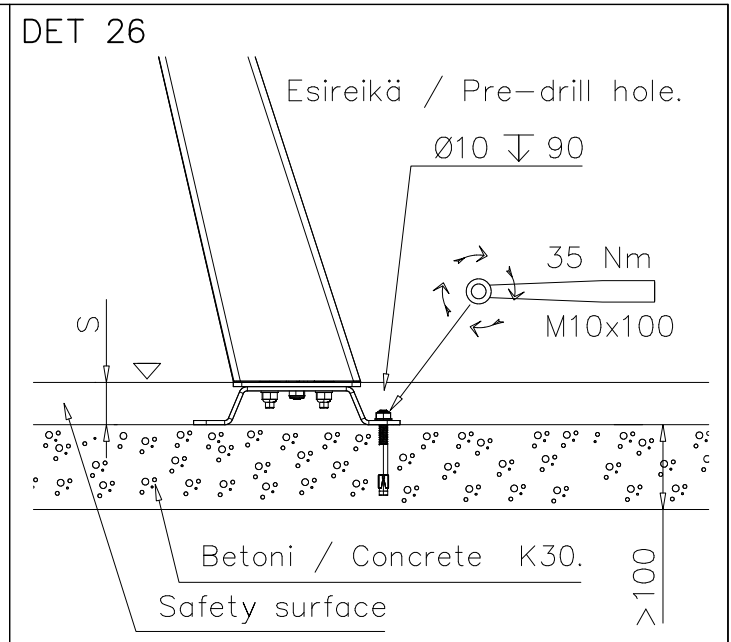
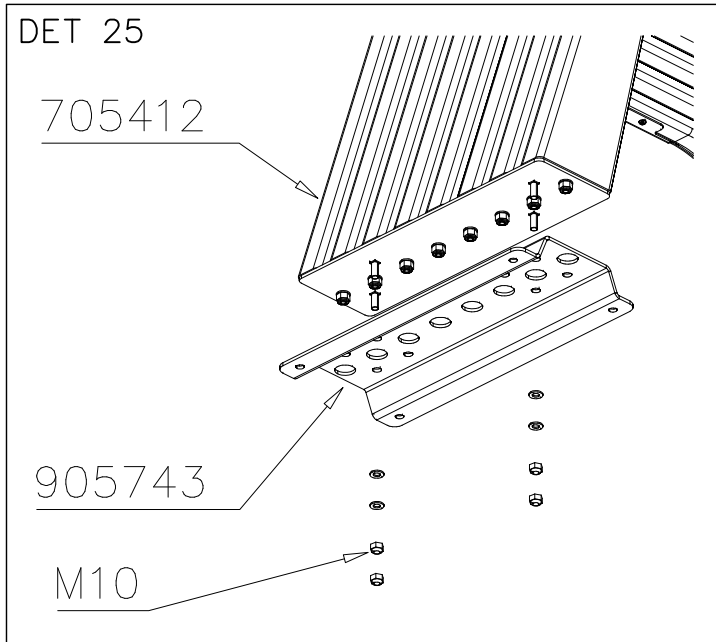


DET 23

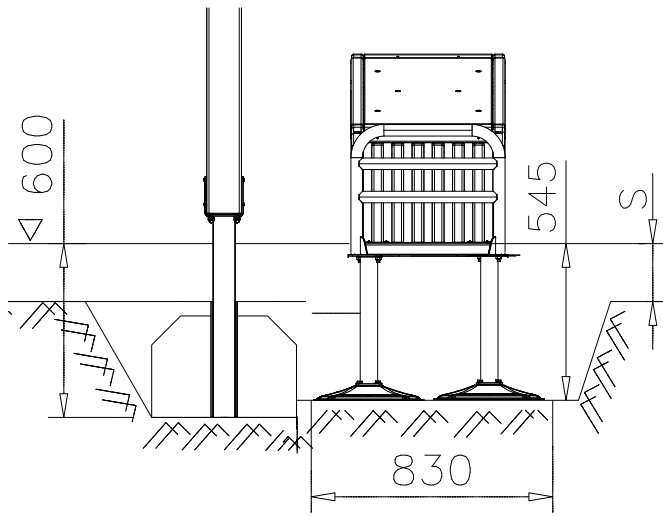


DET 24

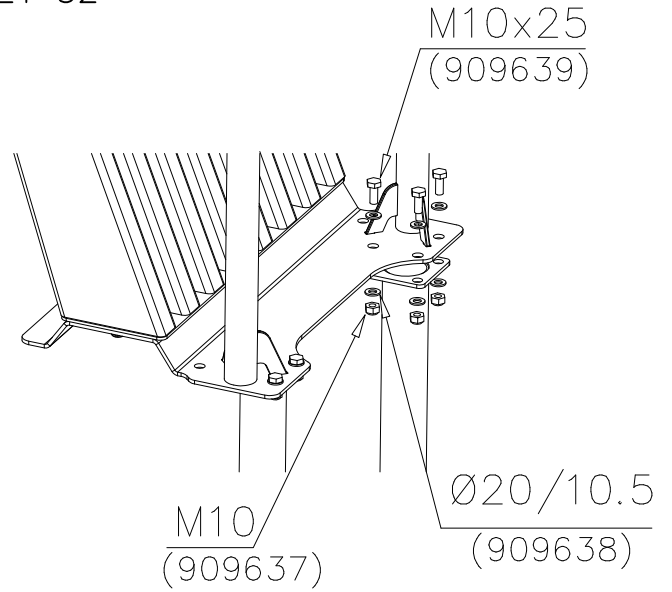




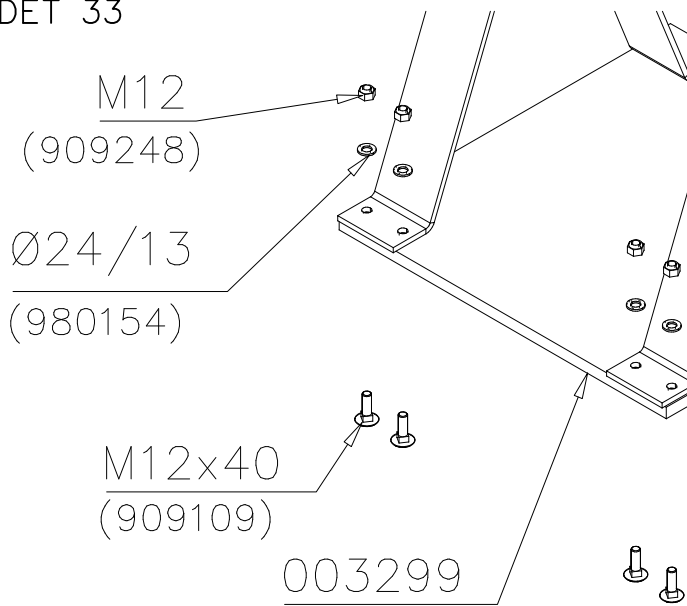
DET 31



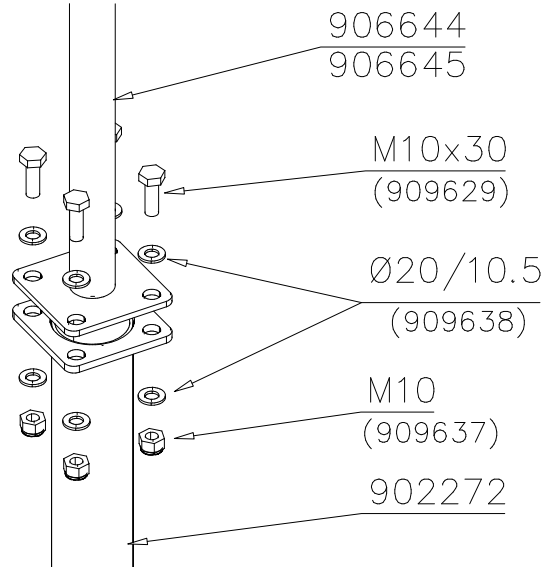
DET 32



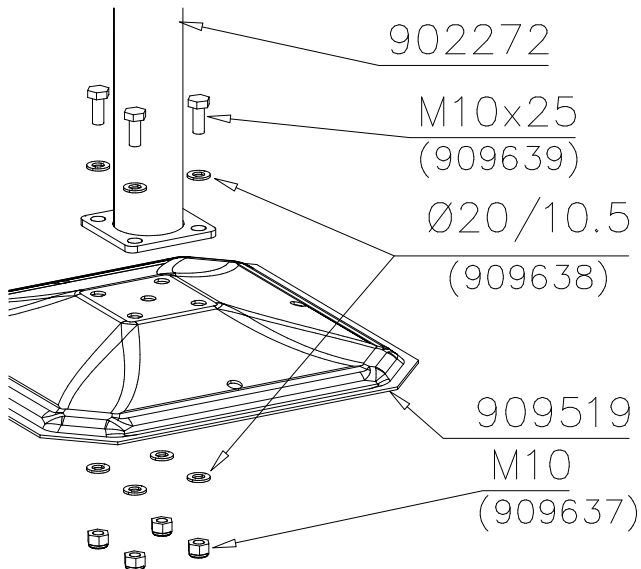
DET 33



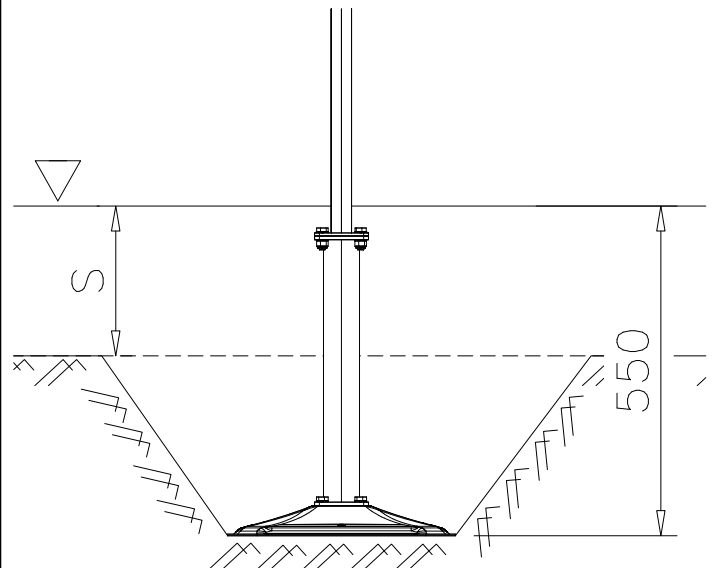
DET 34



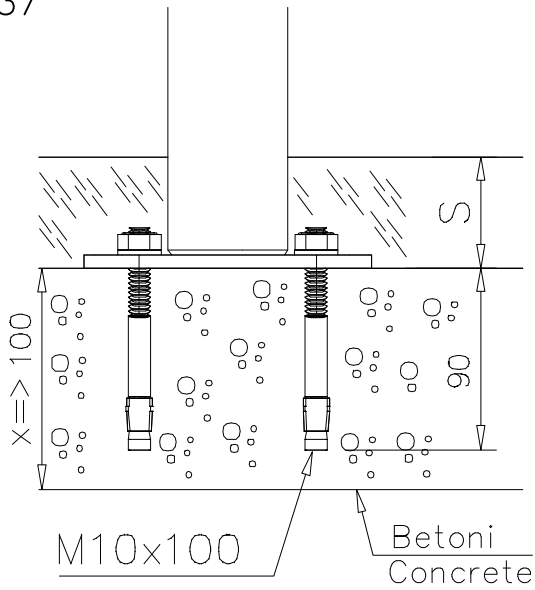
DET 35



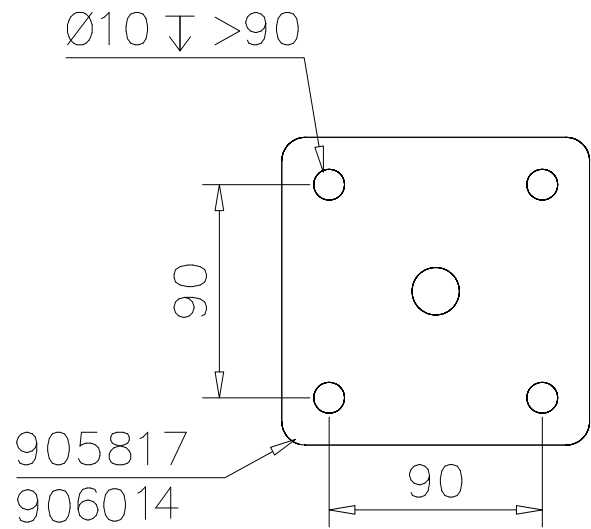
DET 36



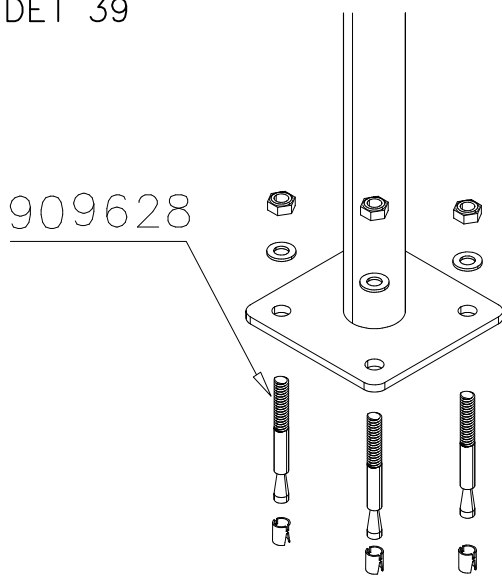
DET 37



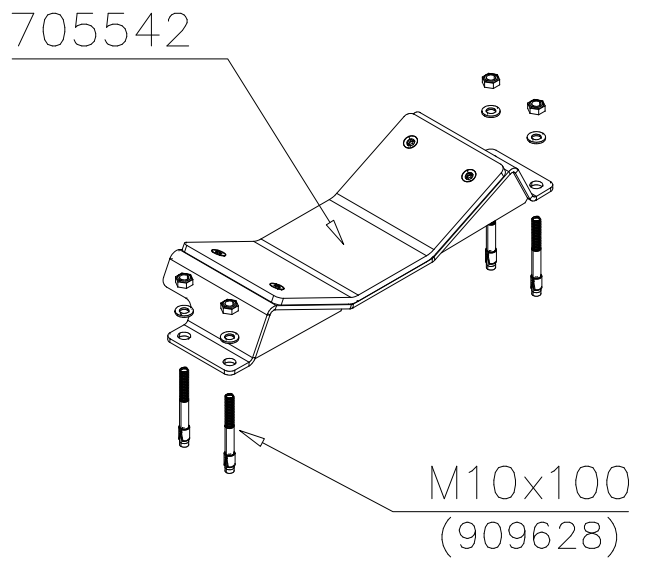
DET 38



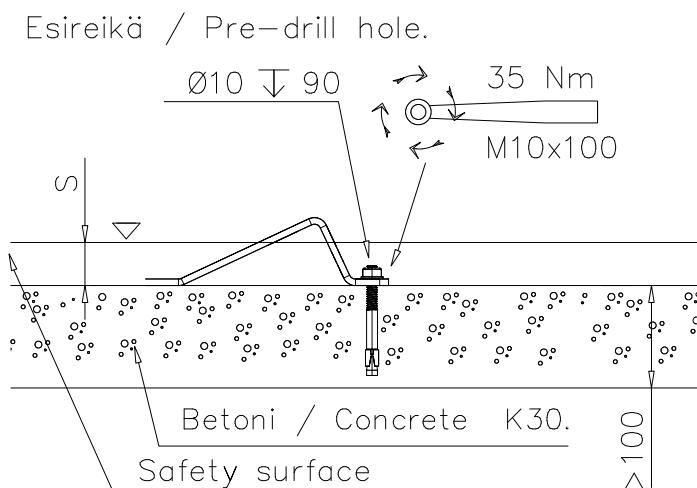
DET 39



DET 40



DET 41



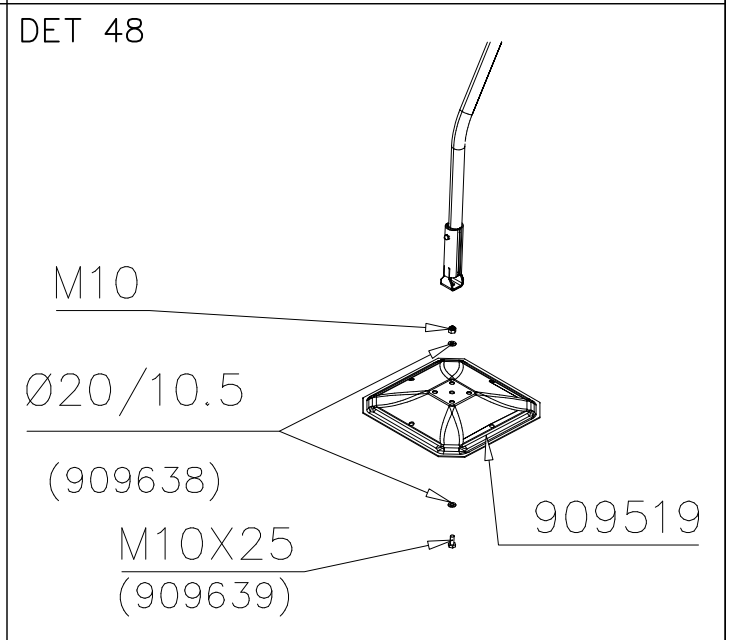
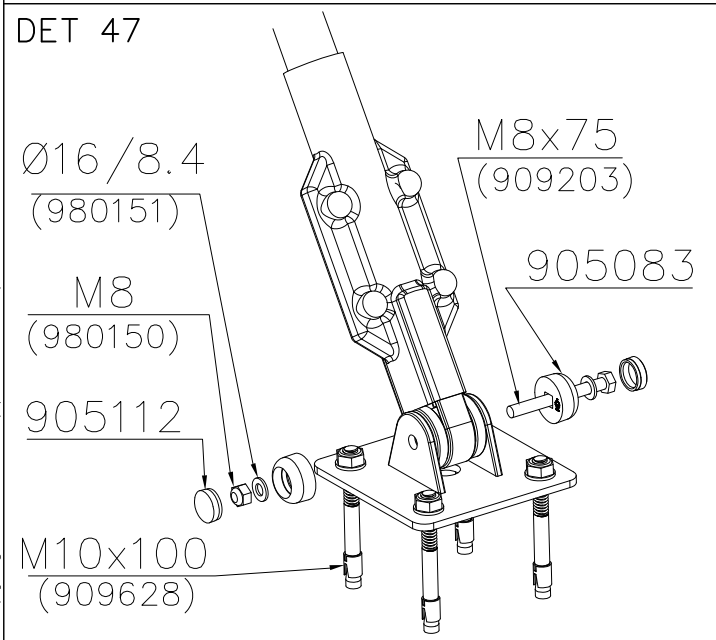
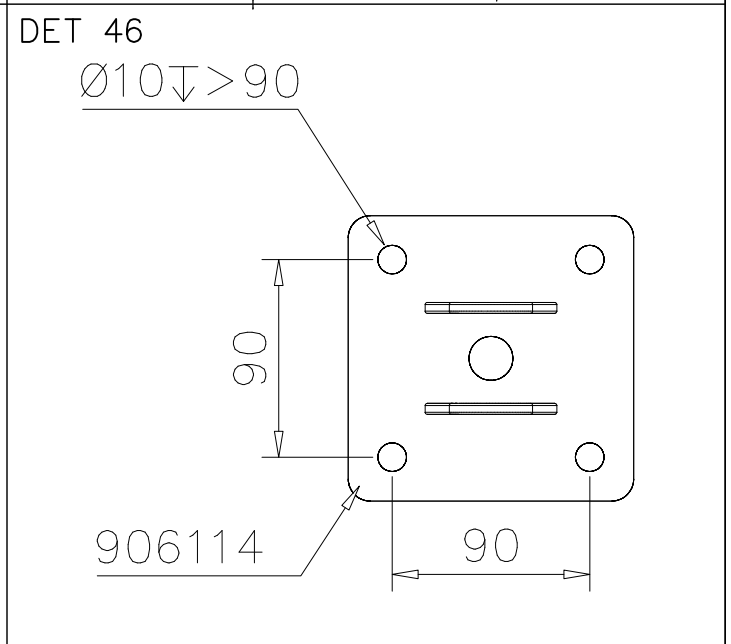
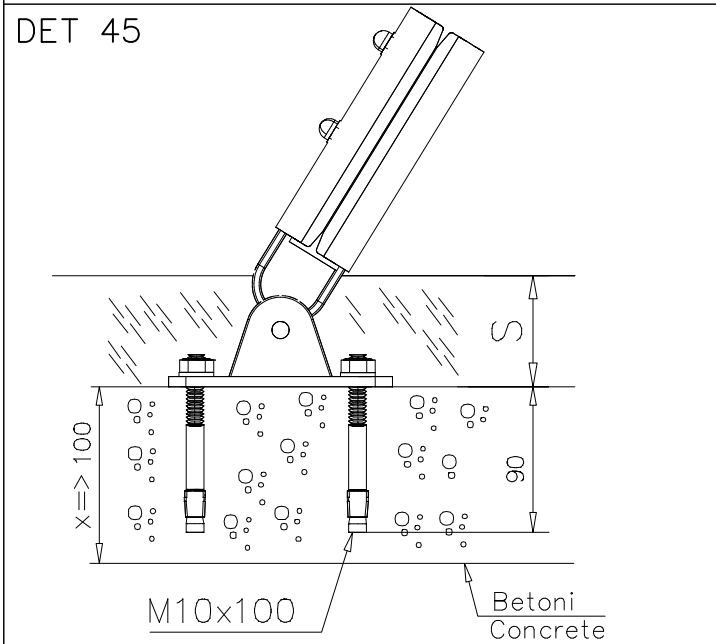
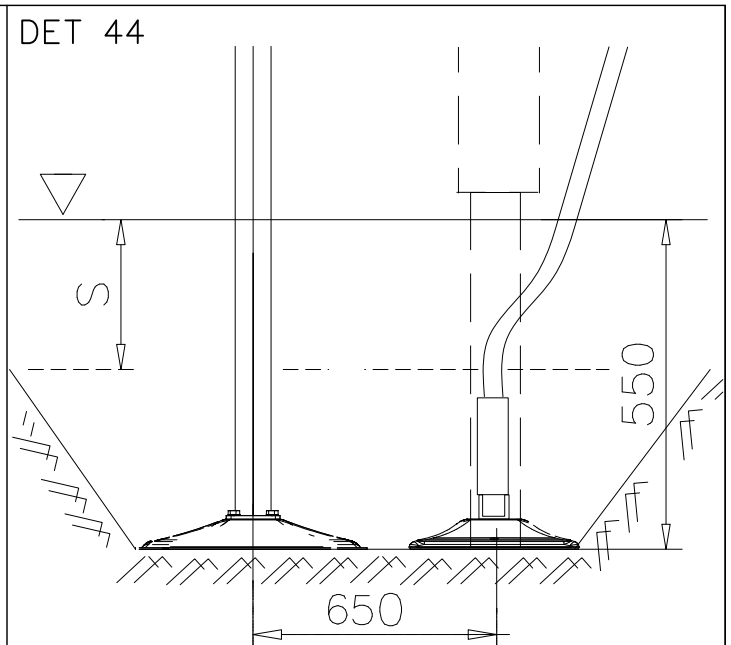
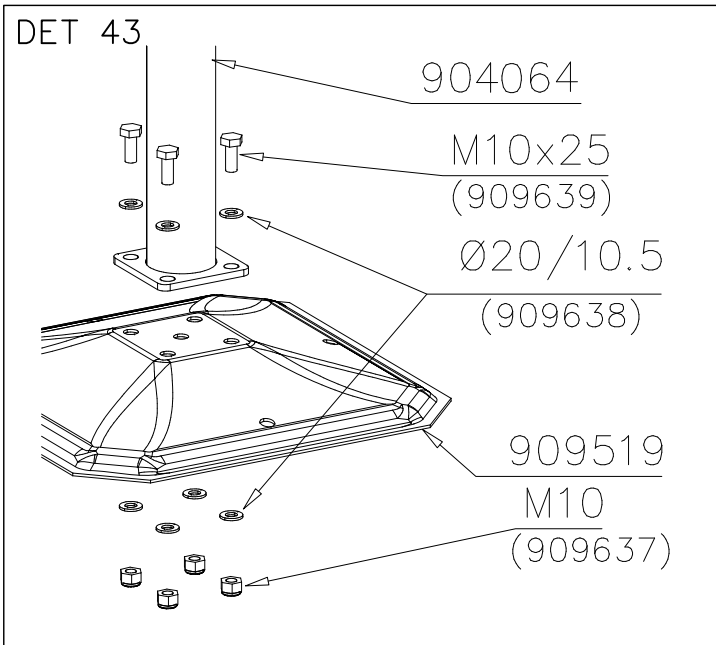
DET 42

LAPPSET SPORT

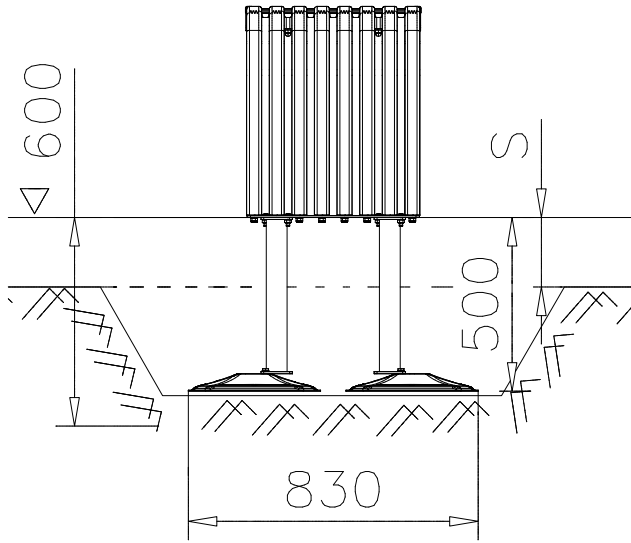
BASE

DATE: 15.8.2017

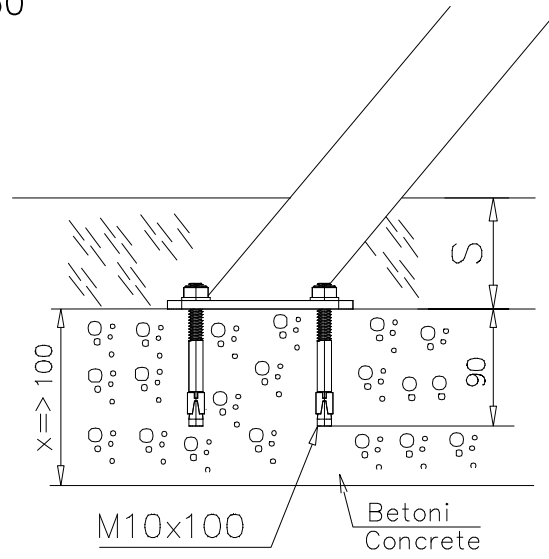
8(10)



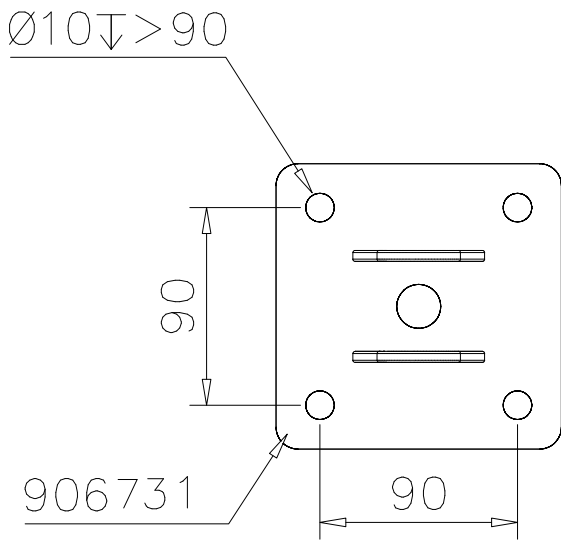
DET 49



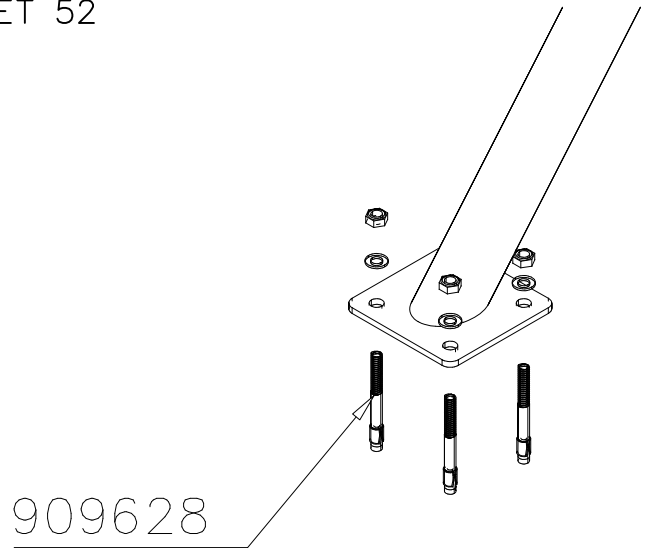
DET 50



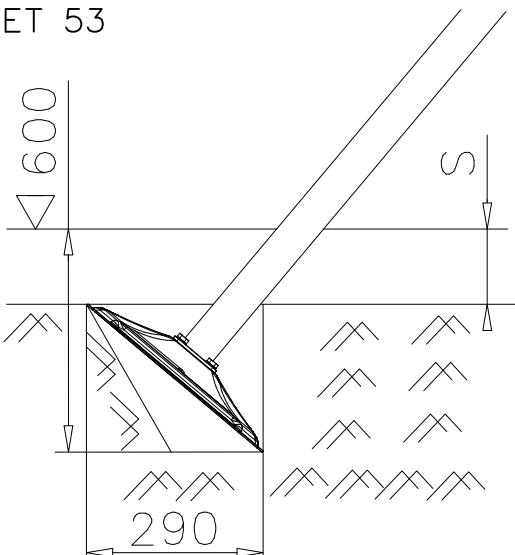
DET 51



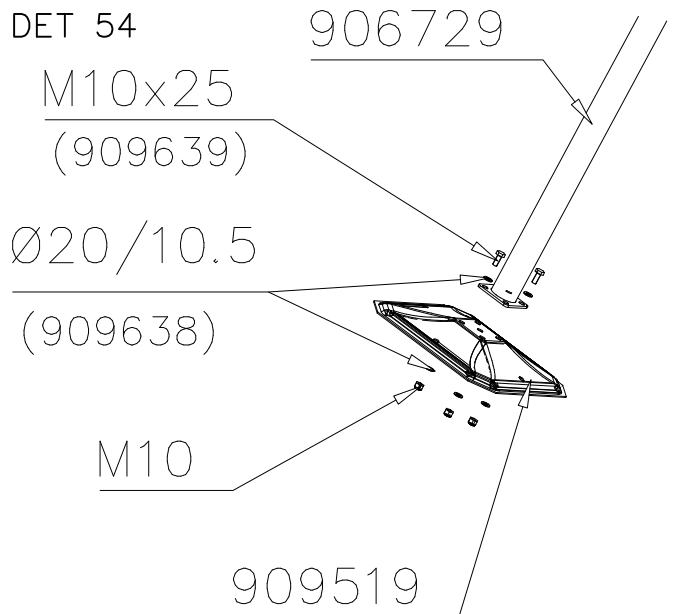
DET 52



DET 53

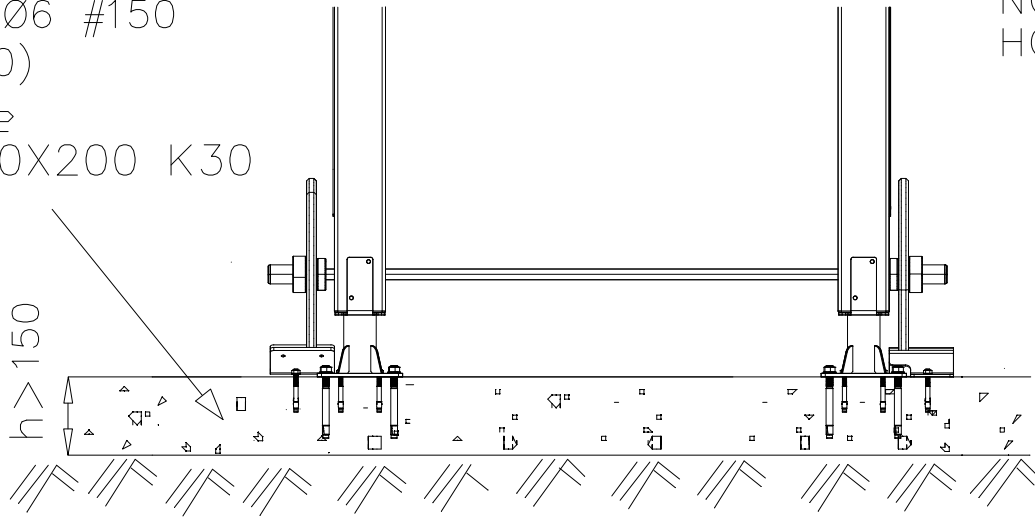


DET 54



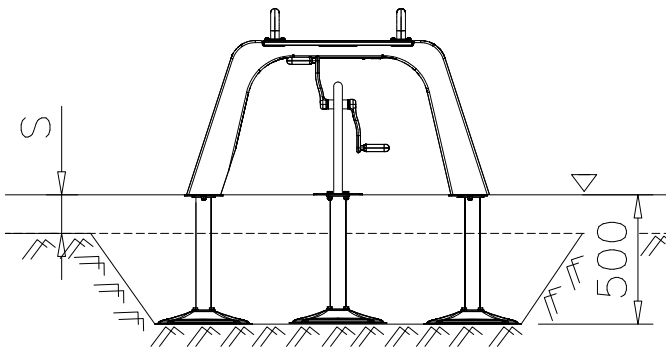
DET 55

STEELNET Ø6 #150
(1400x2100)
Concrete
1500X2200X200 K30

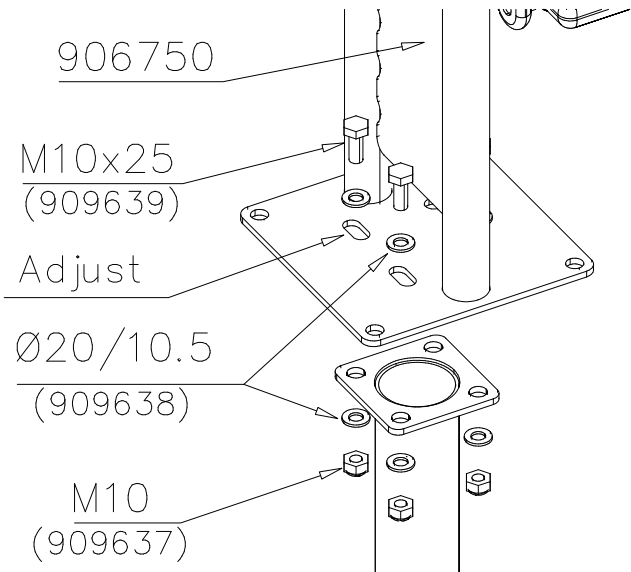


NOTE!
HOX!

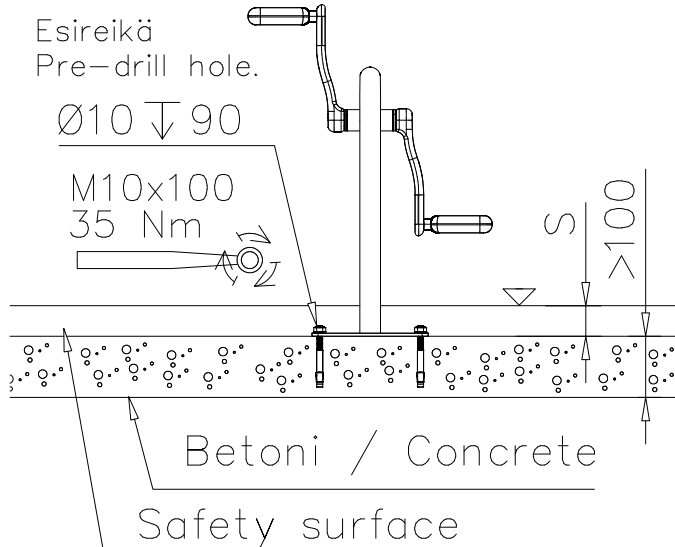
DET 56



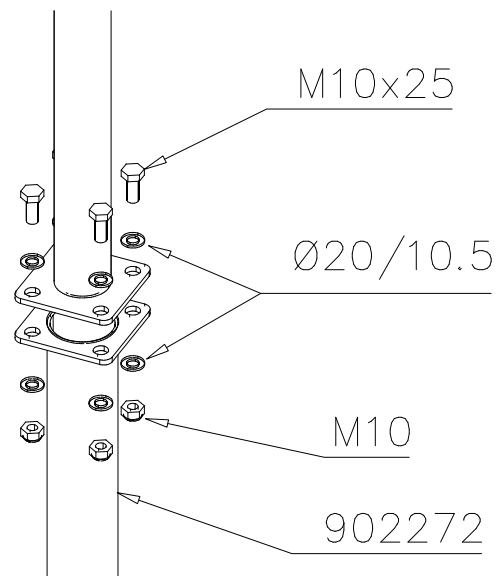
DET 57



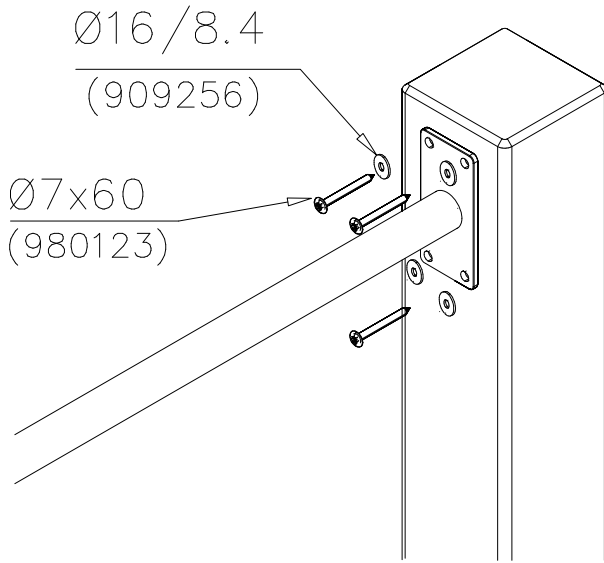
DET 58



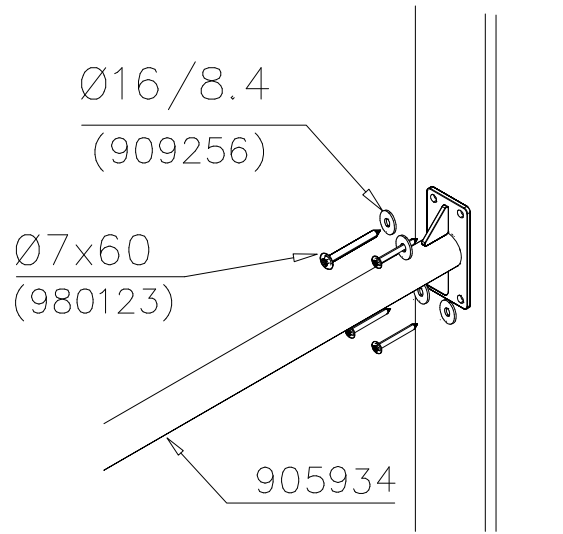
DET 59



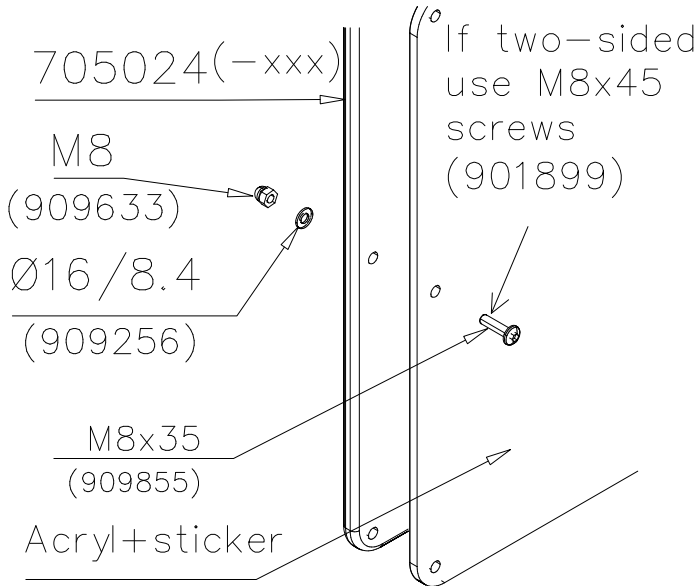
DET 1



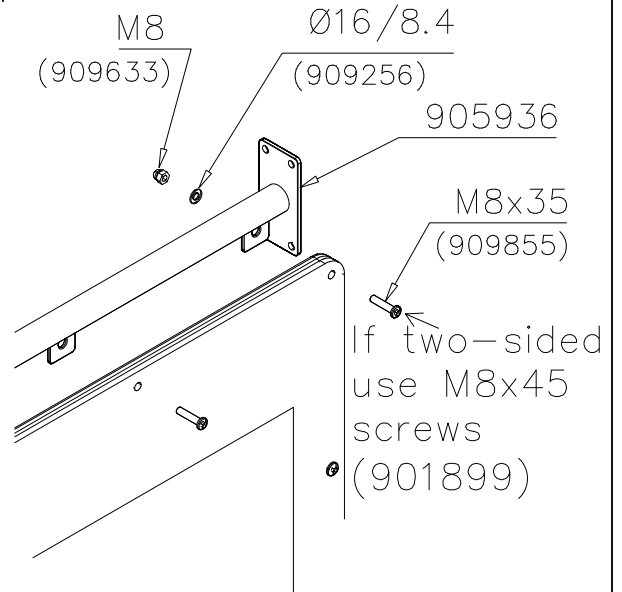
DET 2



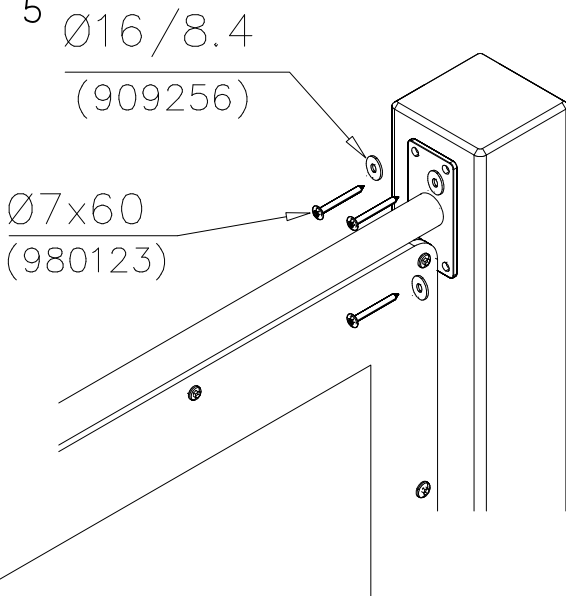
DET 3



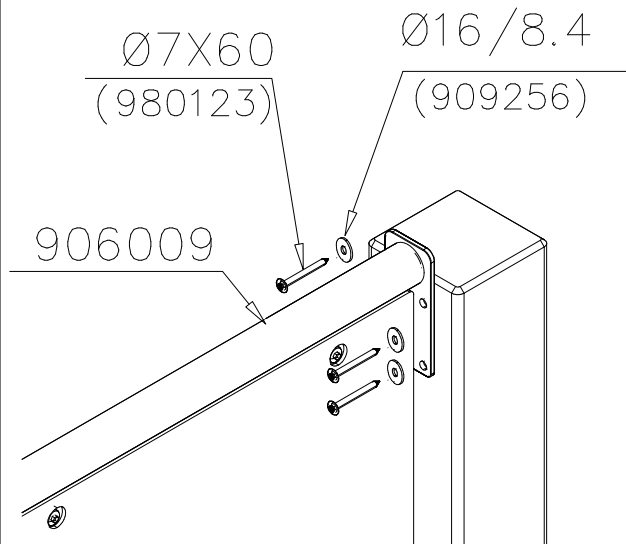
DET 4

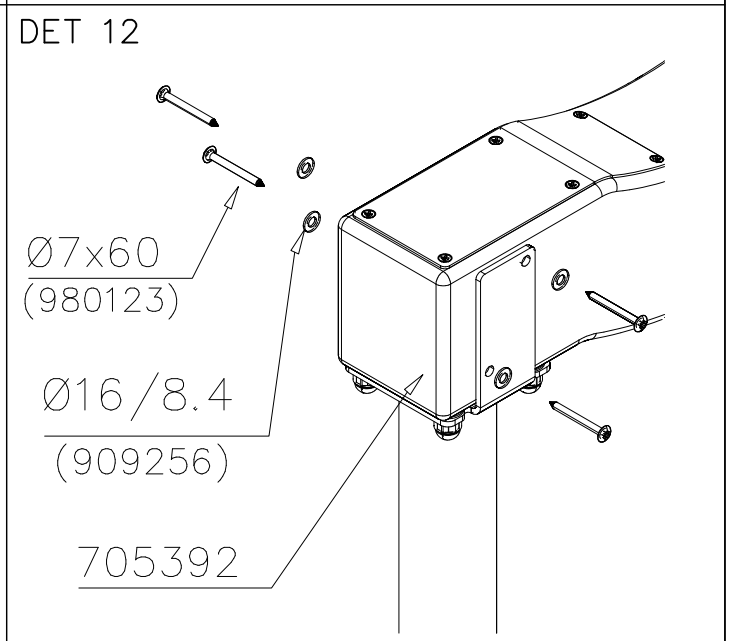
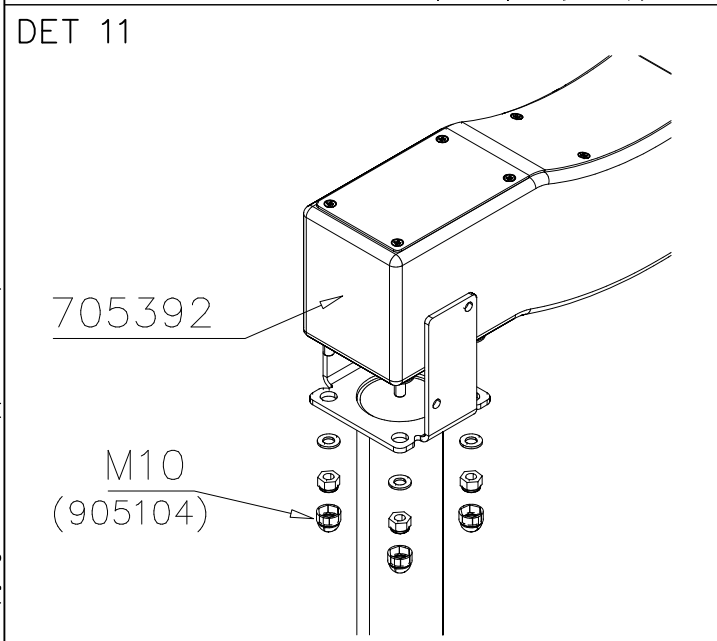
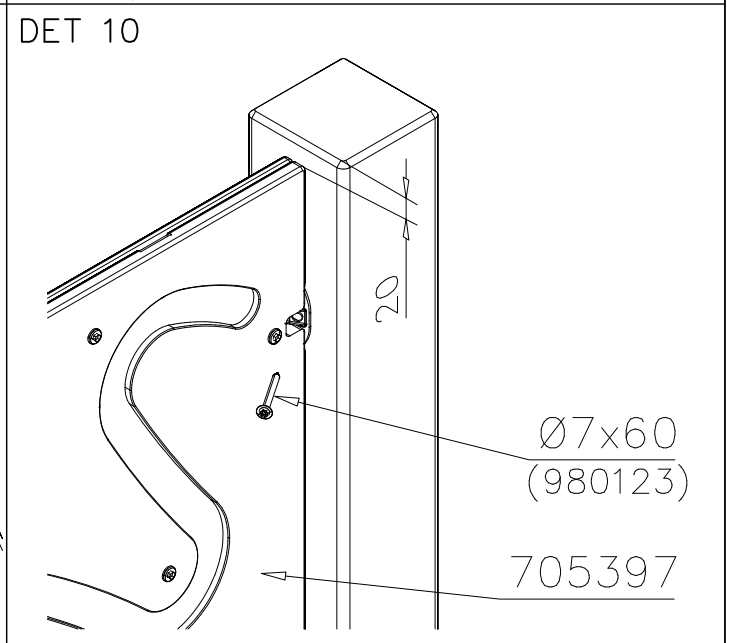
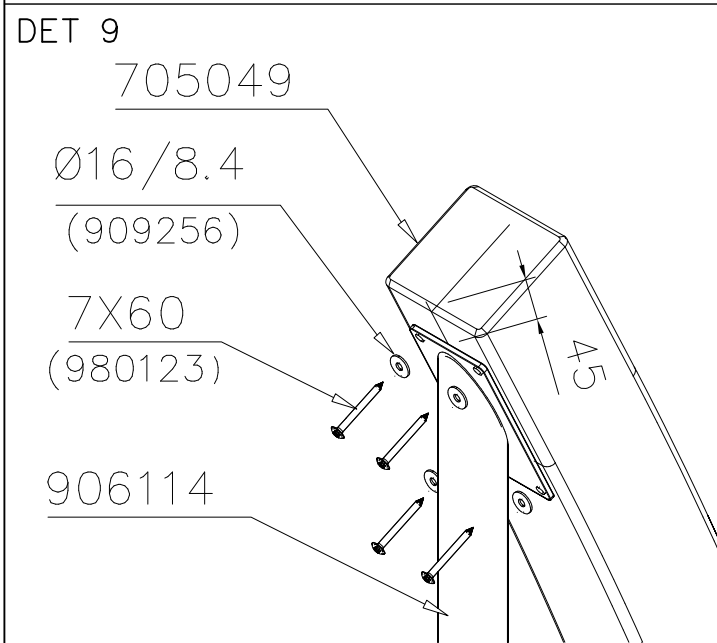
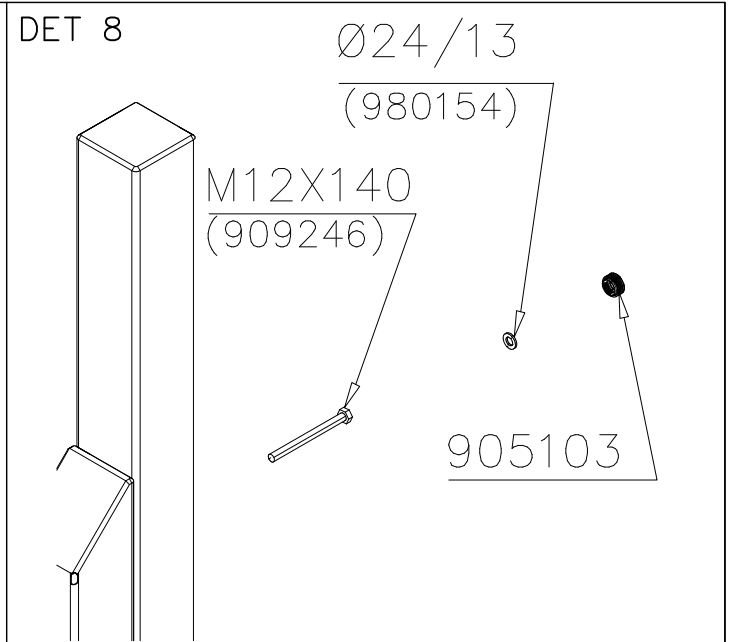
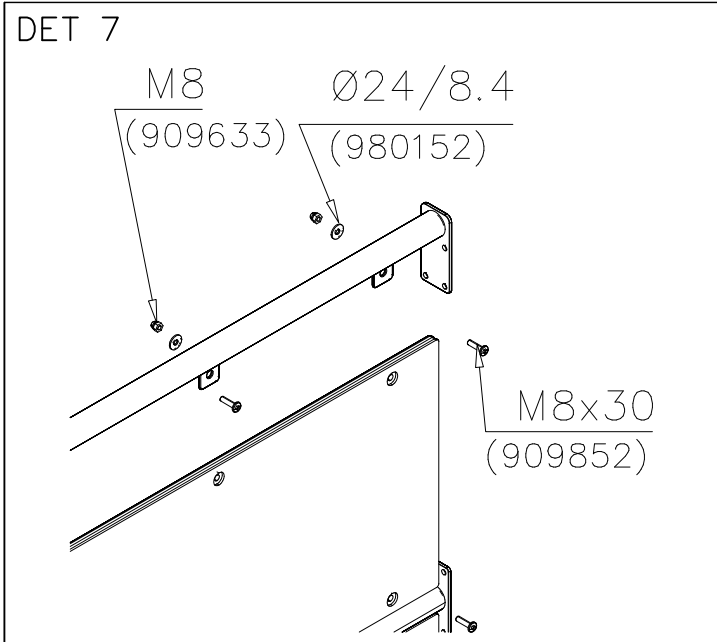


DET 5

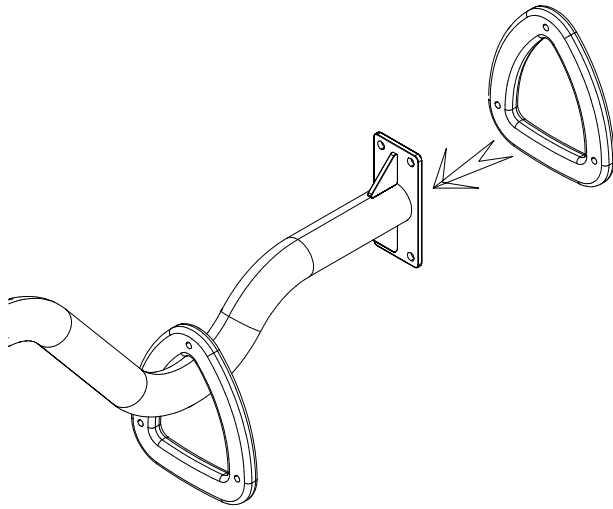


DET 6

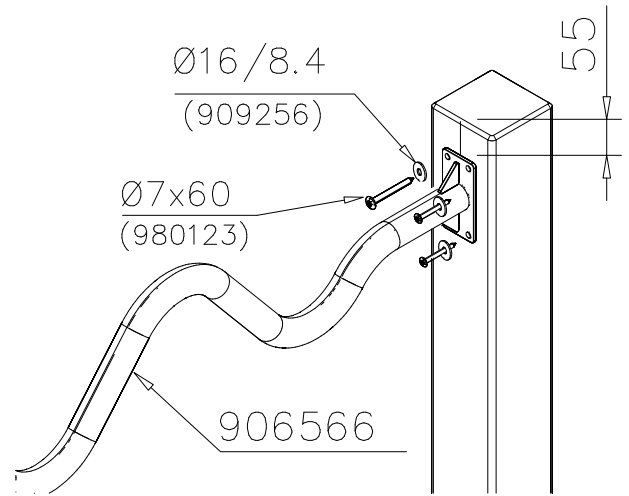




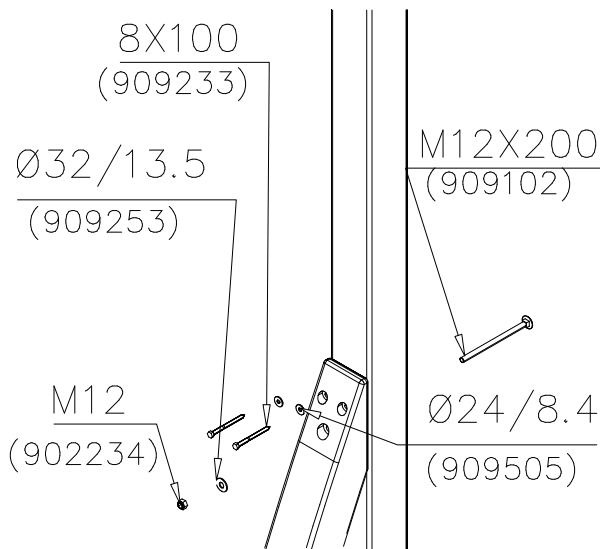
DET 13



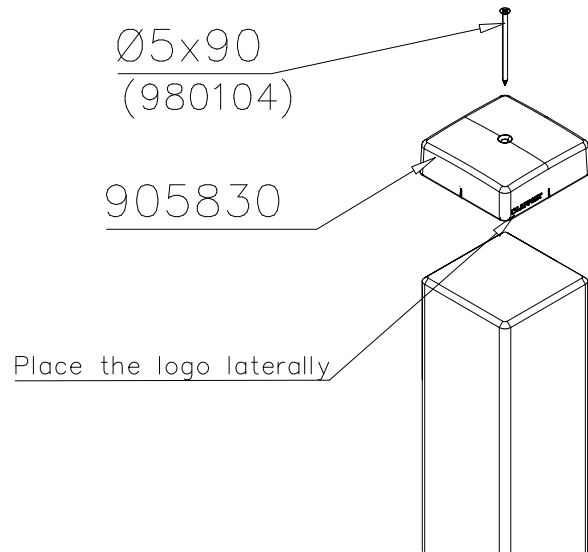
DET 14



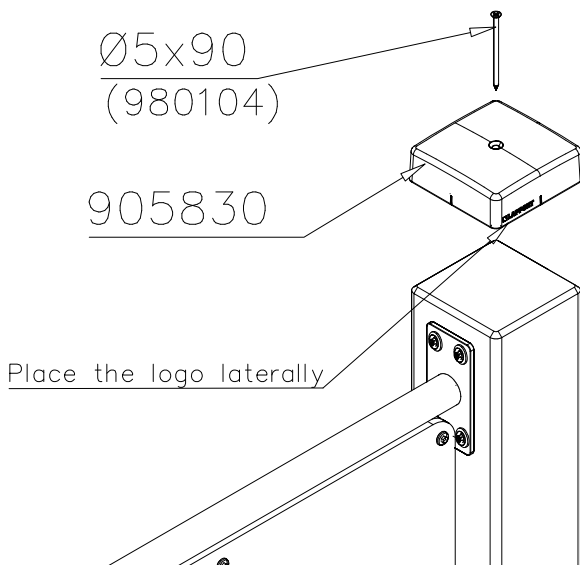
DET 15



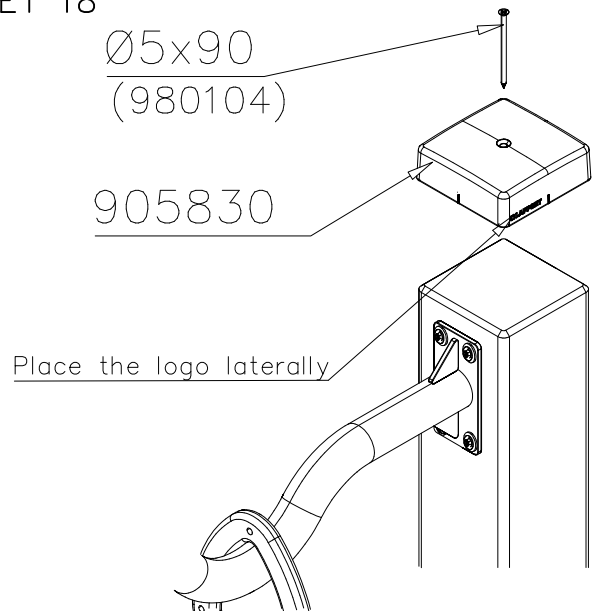
DET 16



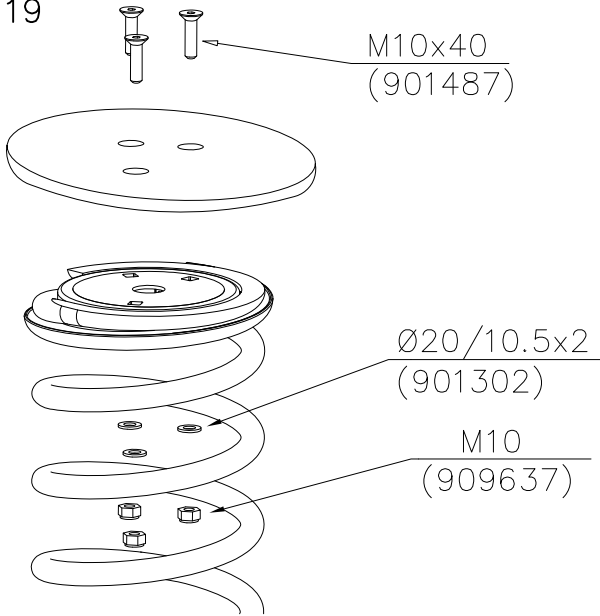
DET 17



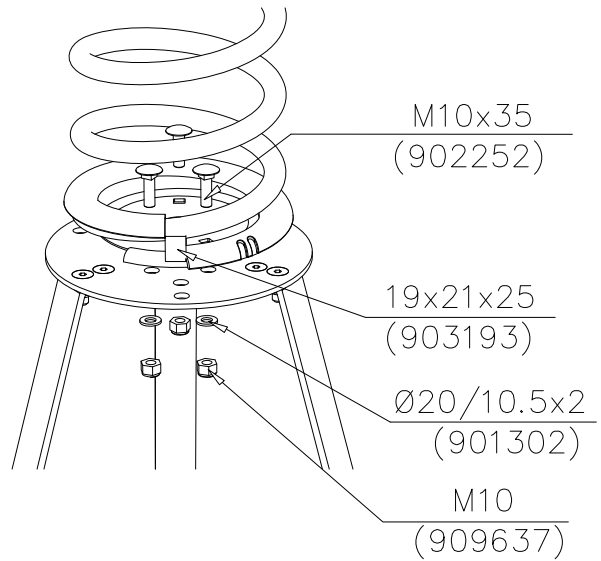
DET 18



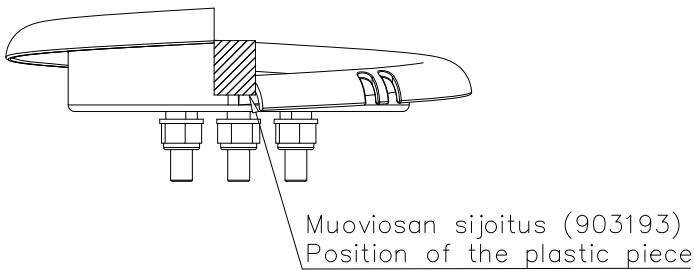
DET 19



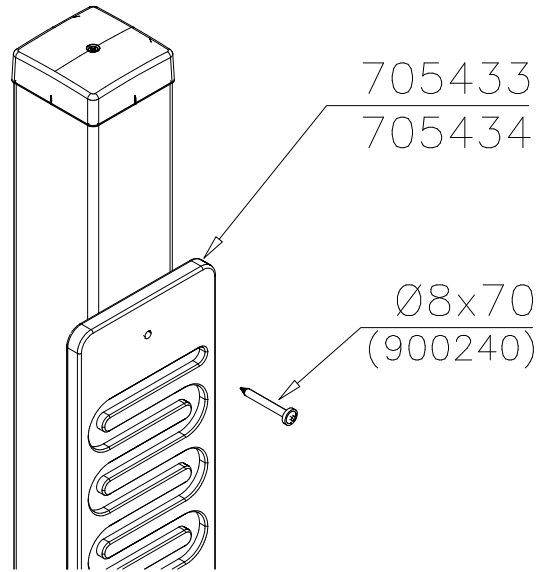
DET 20



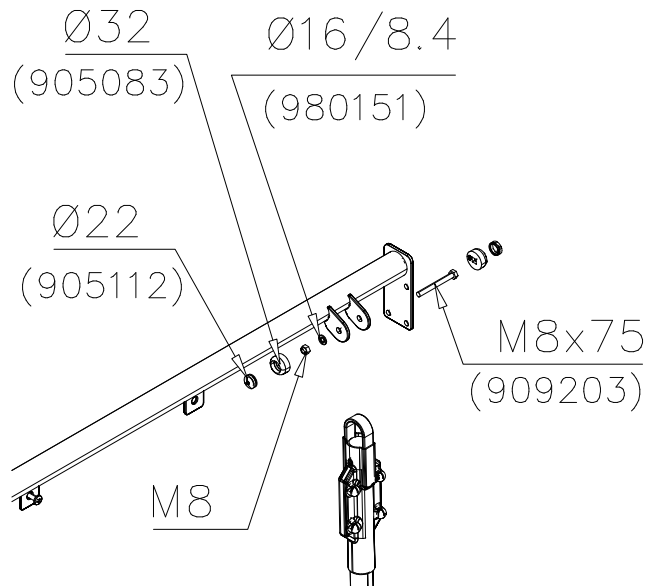
DET 21



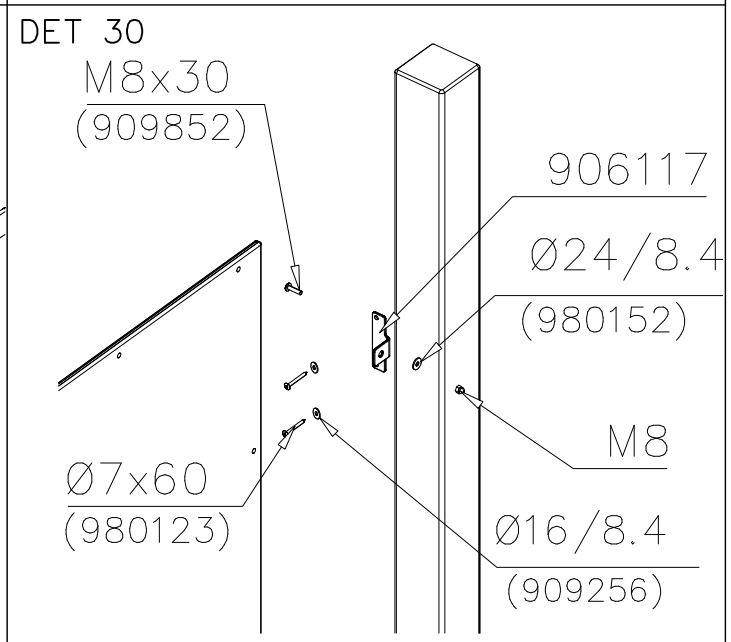
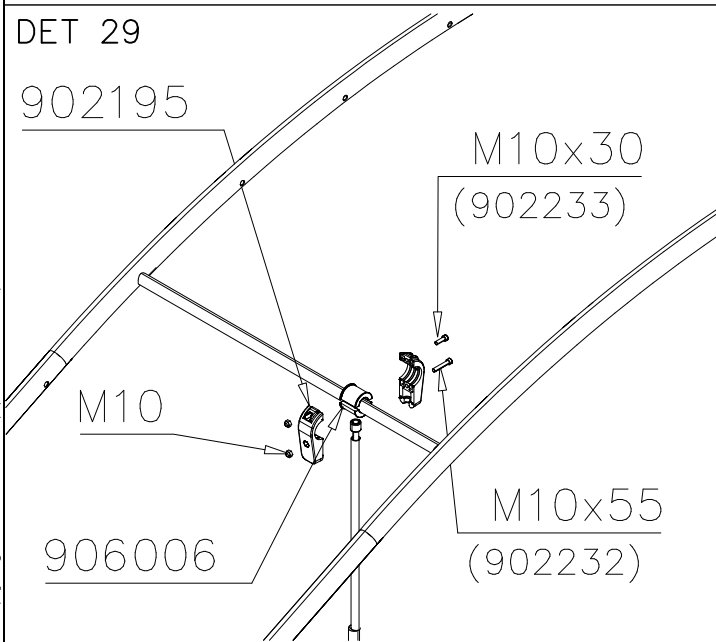
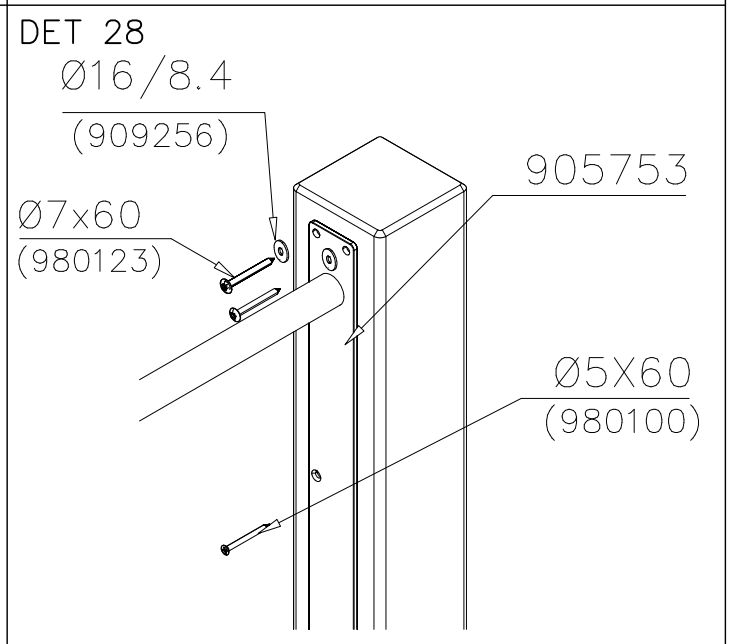
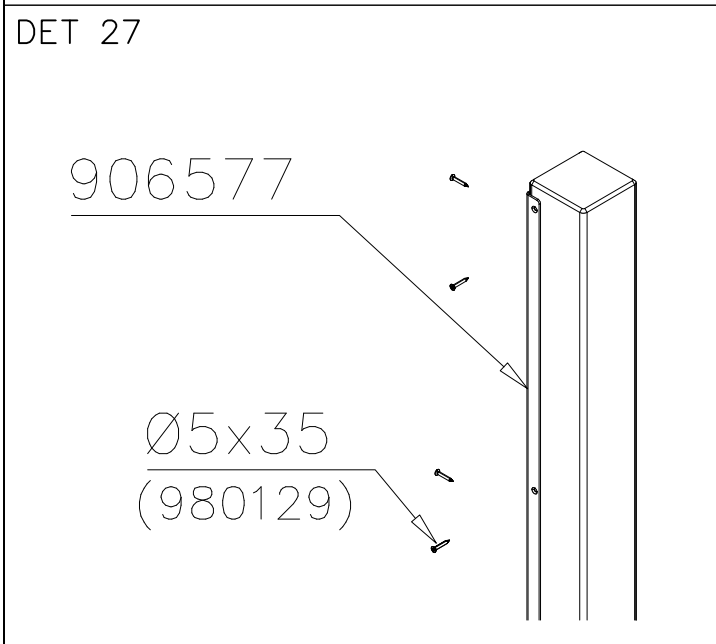
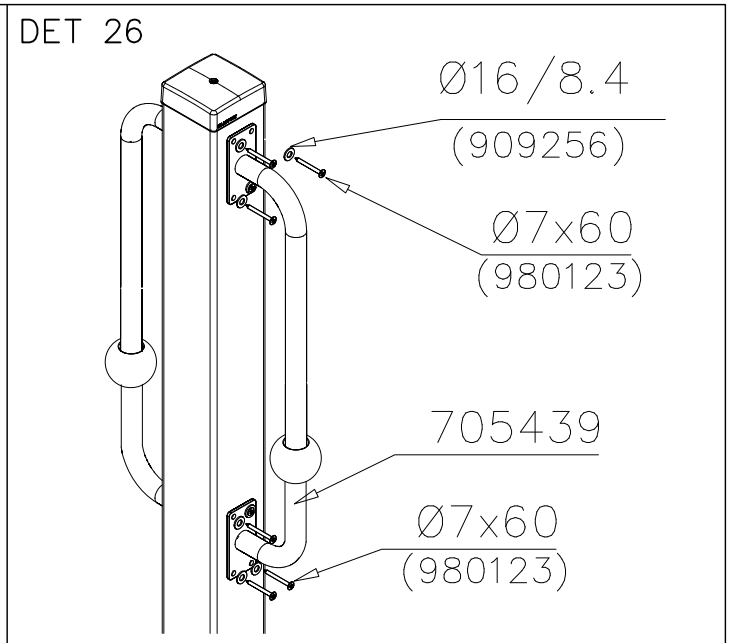
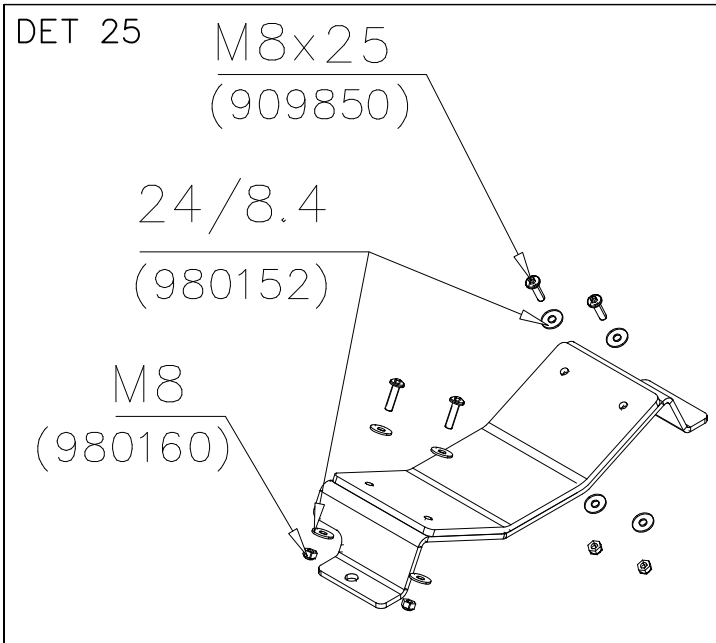
DET 22



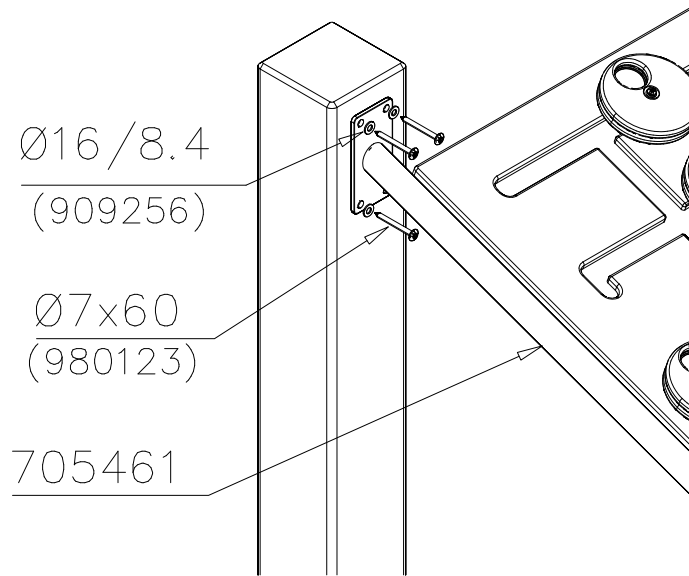
DET 23



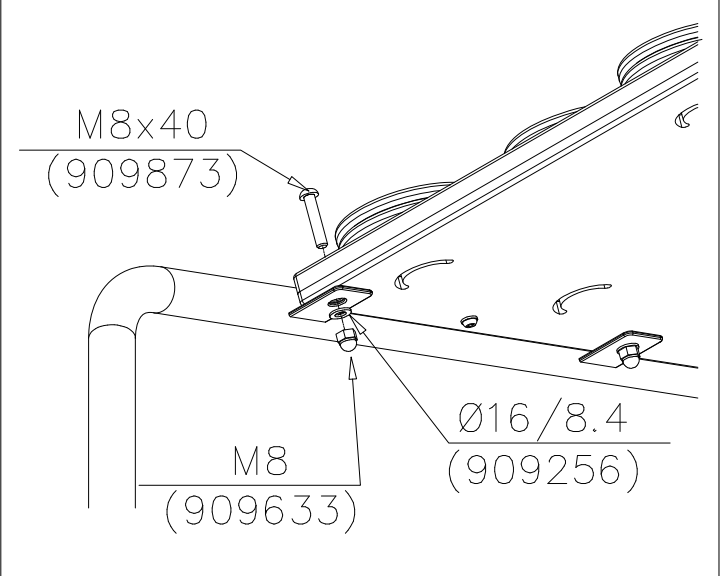
DET 24



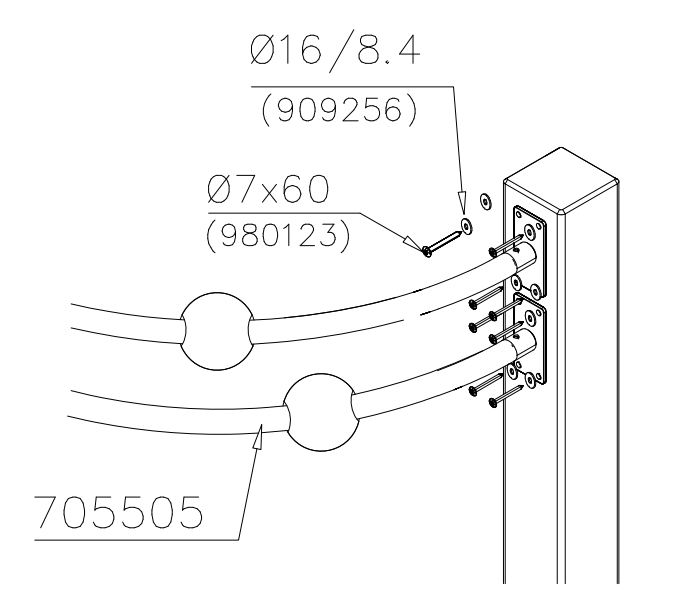
DET 31



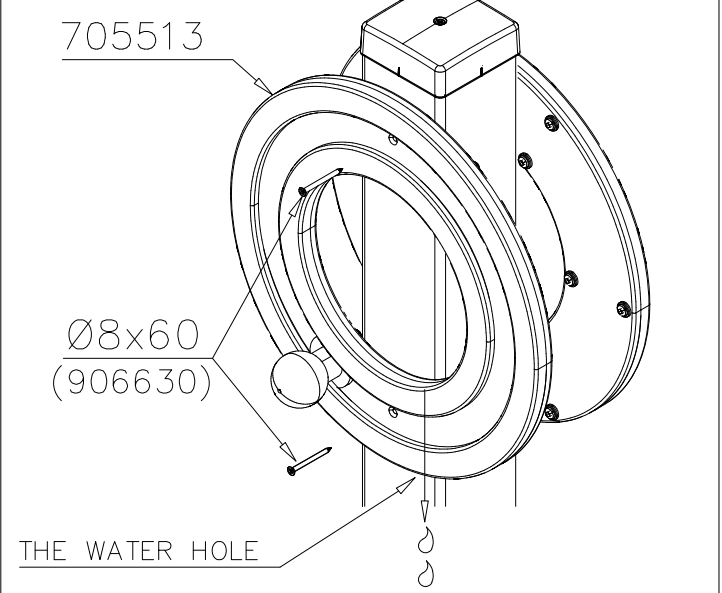
DET 32



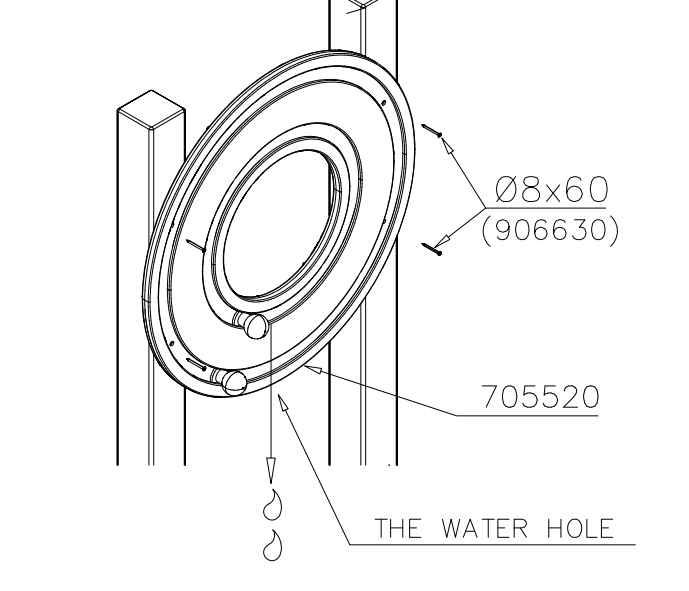
DET 33



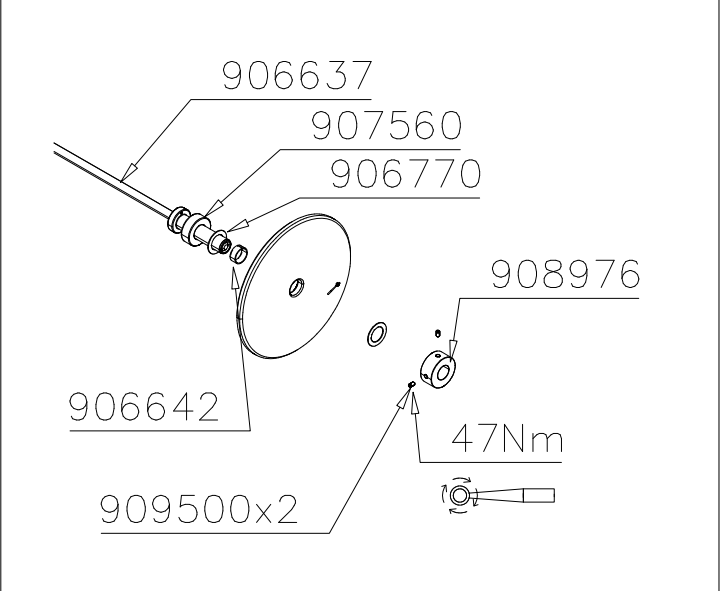
DET 34



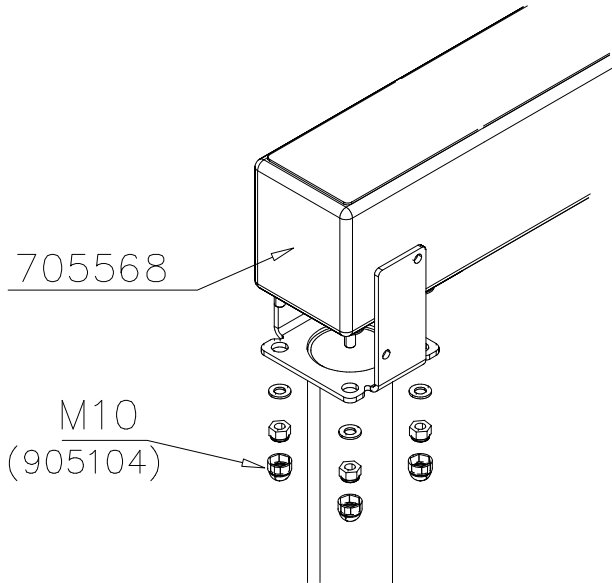
DET 35



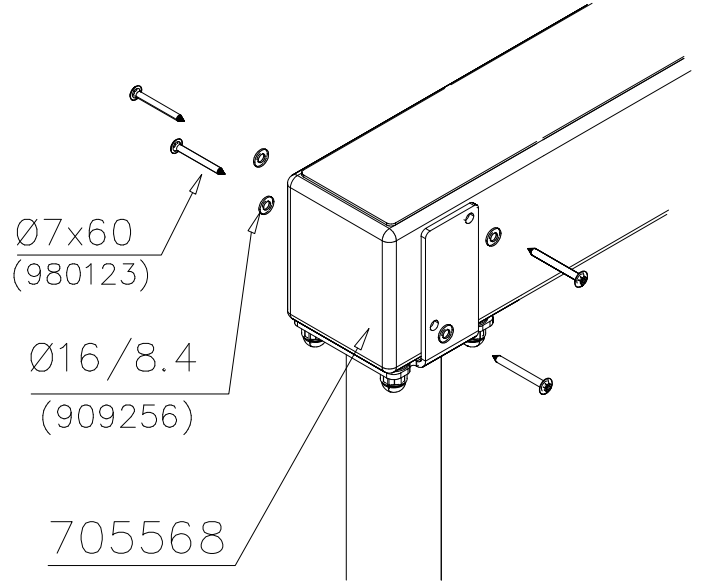
DET 36



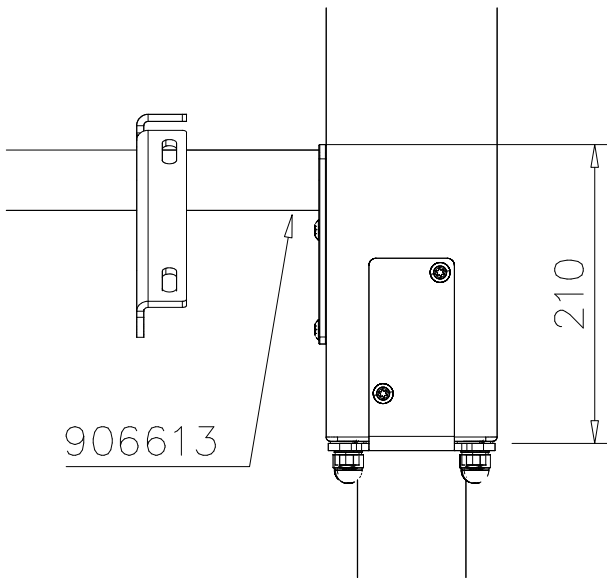
DET 37



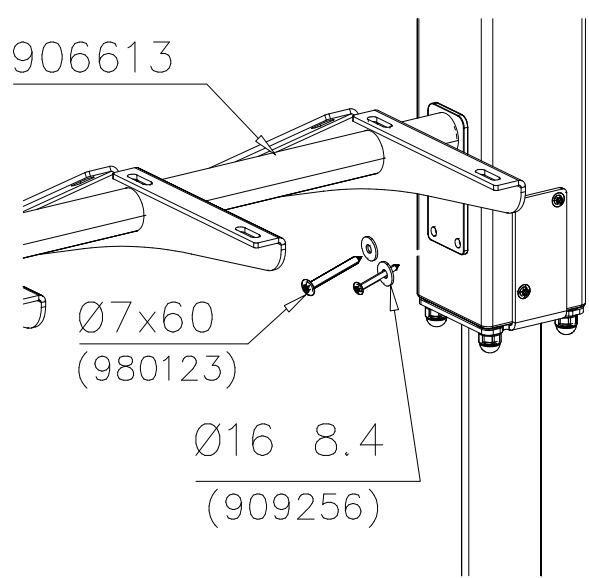
DET 38



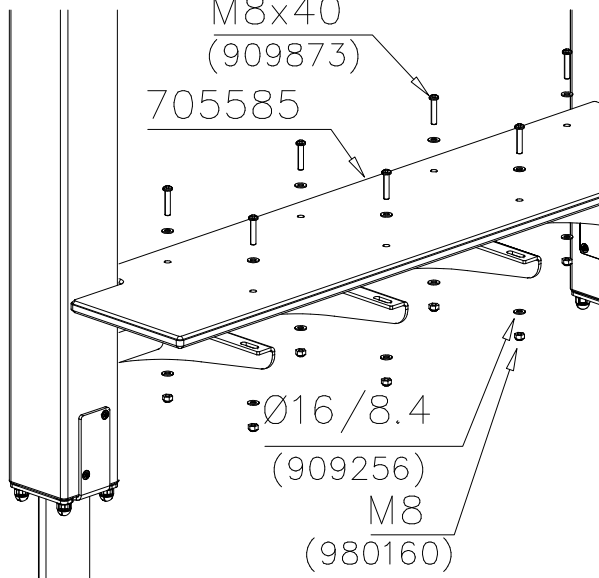
DET 39



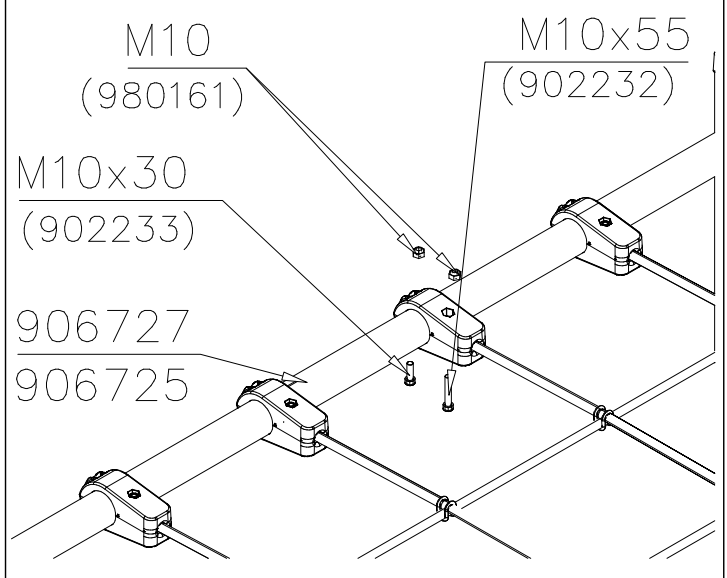
DET 40

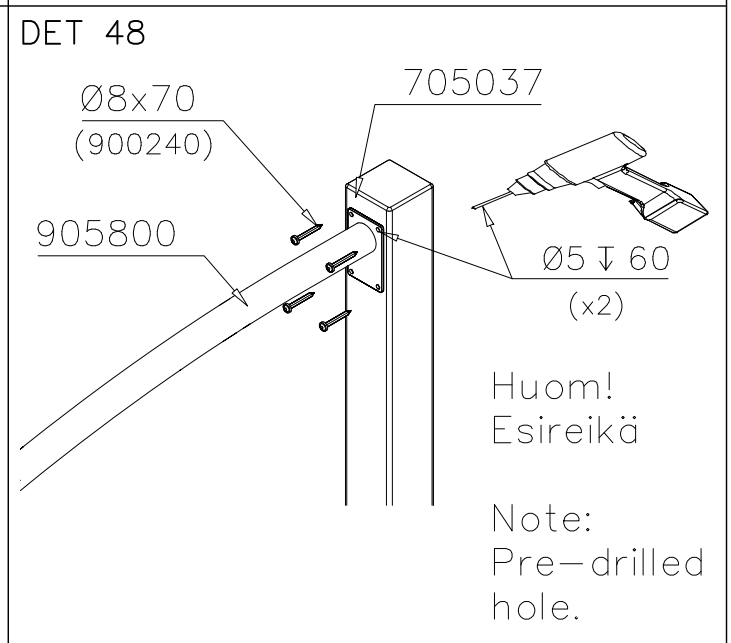
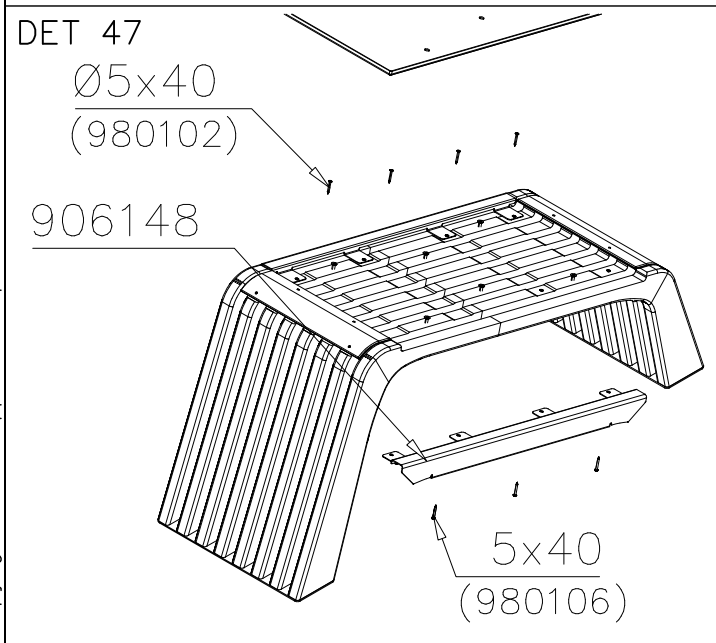
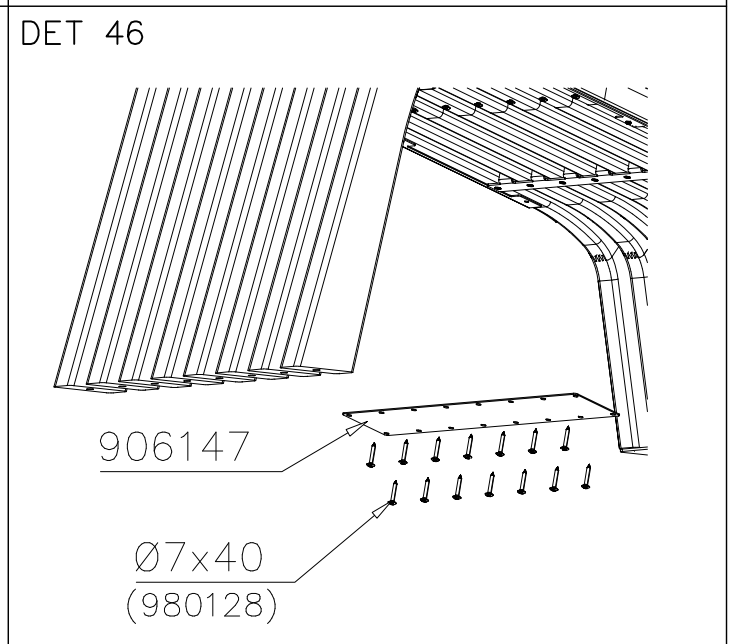
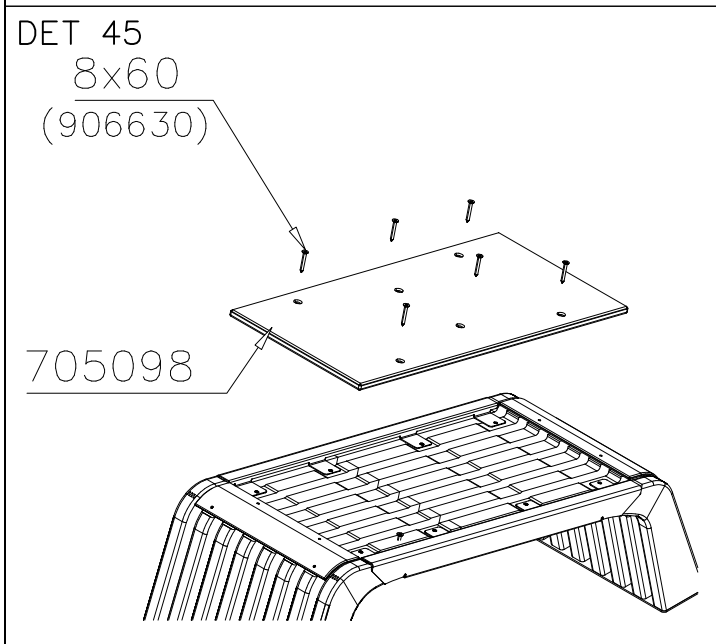
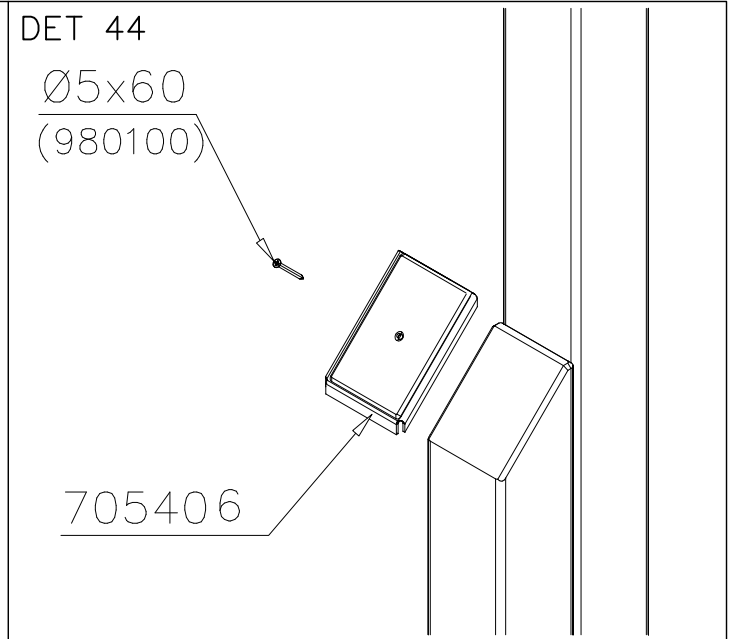
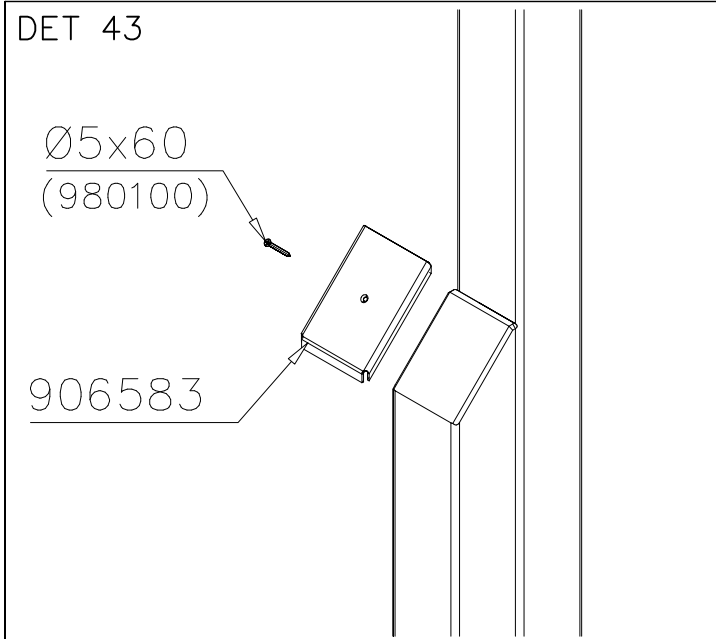


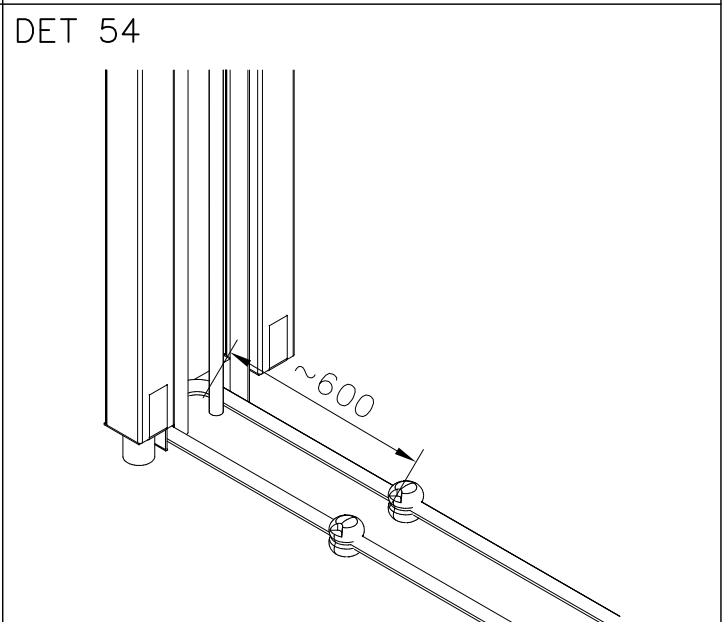
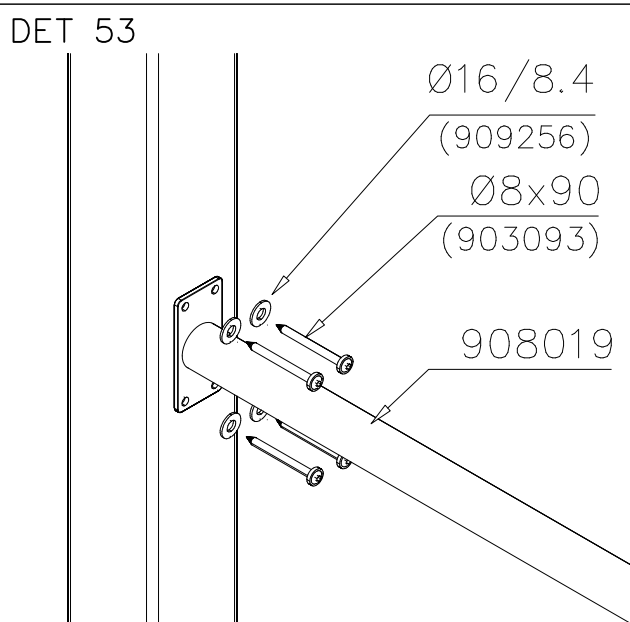
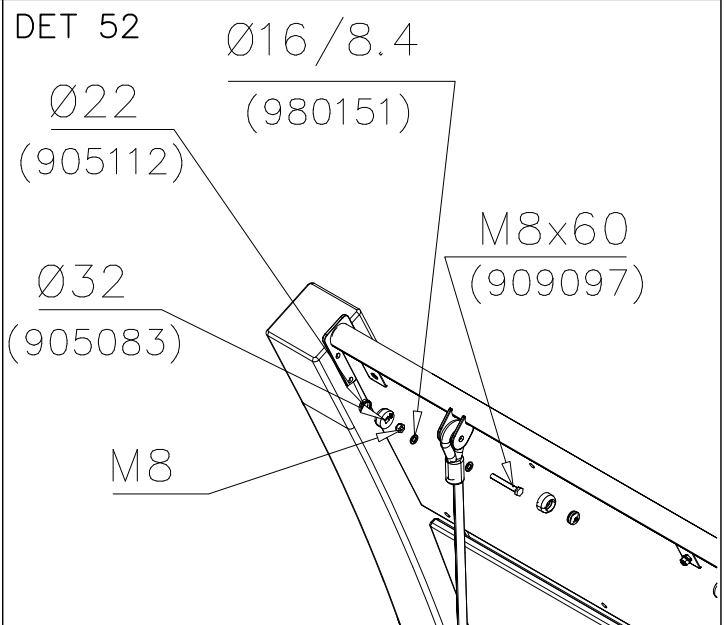
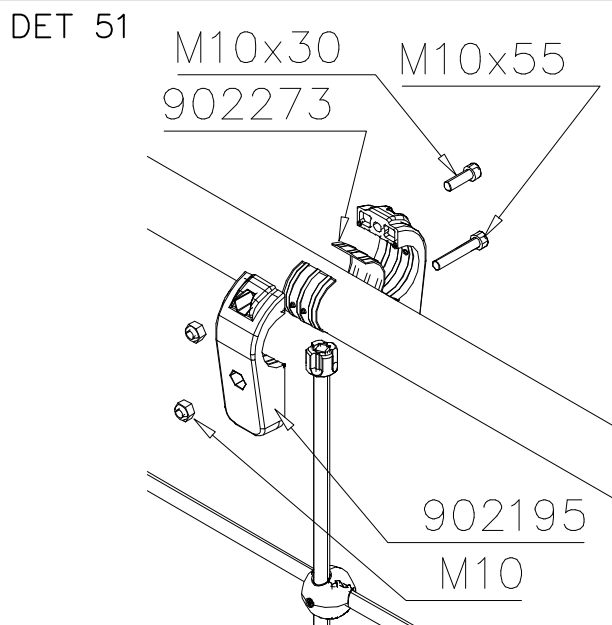
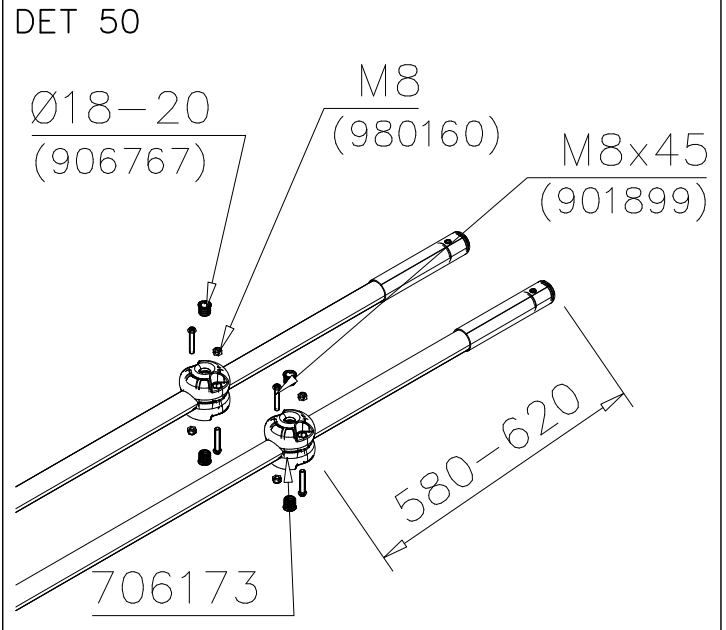
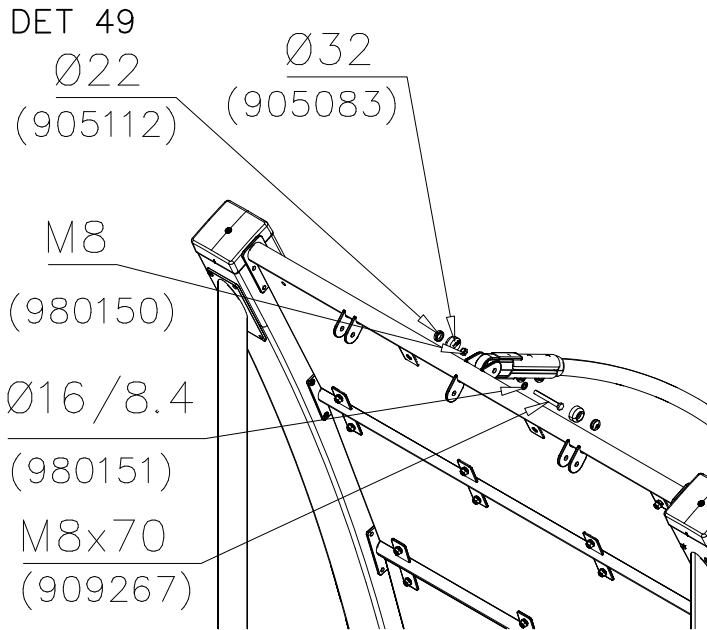
DET 41



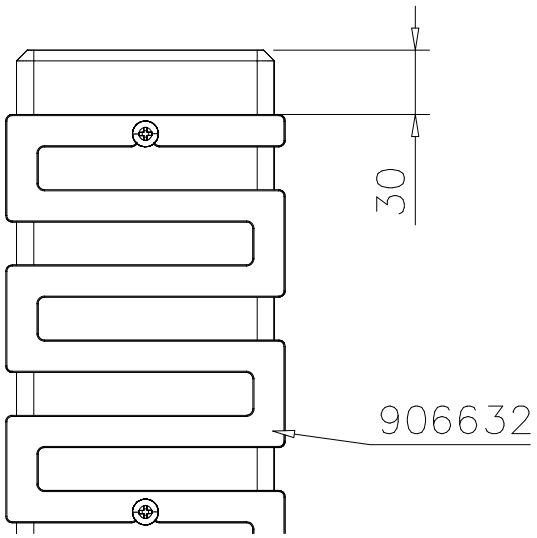
DET 42



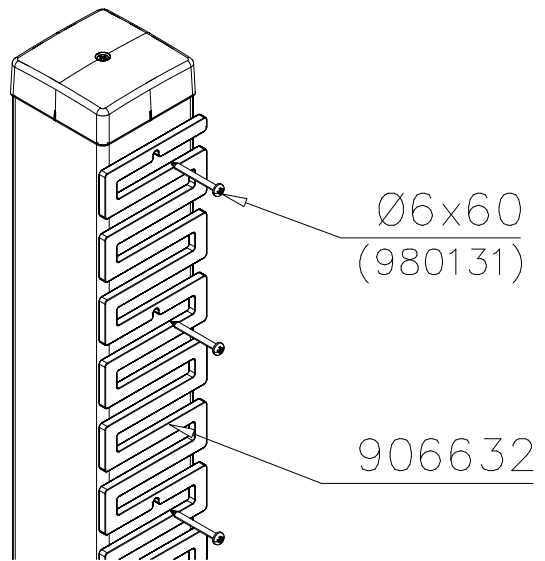




DET 55



DET 56

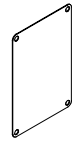



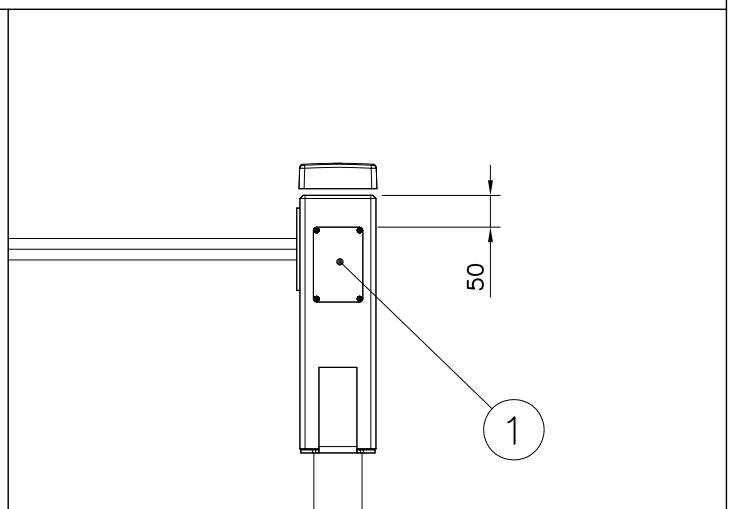
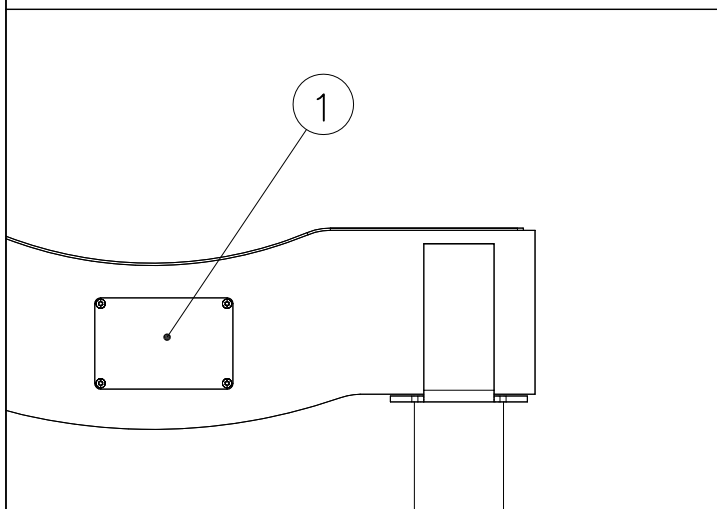
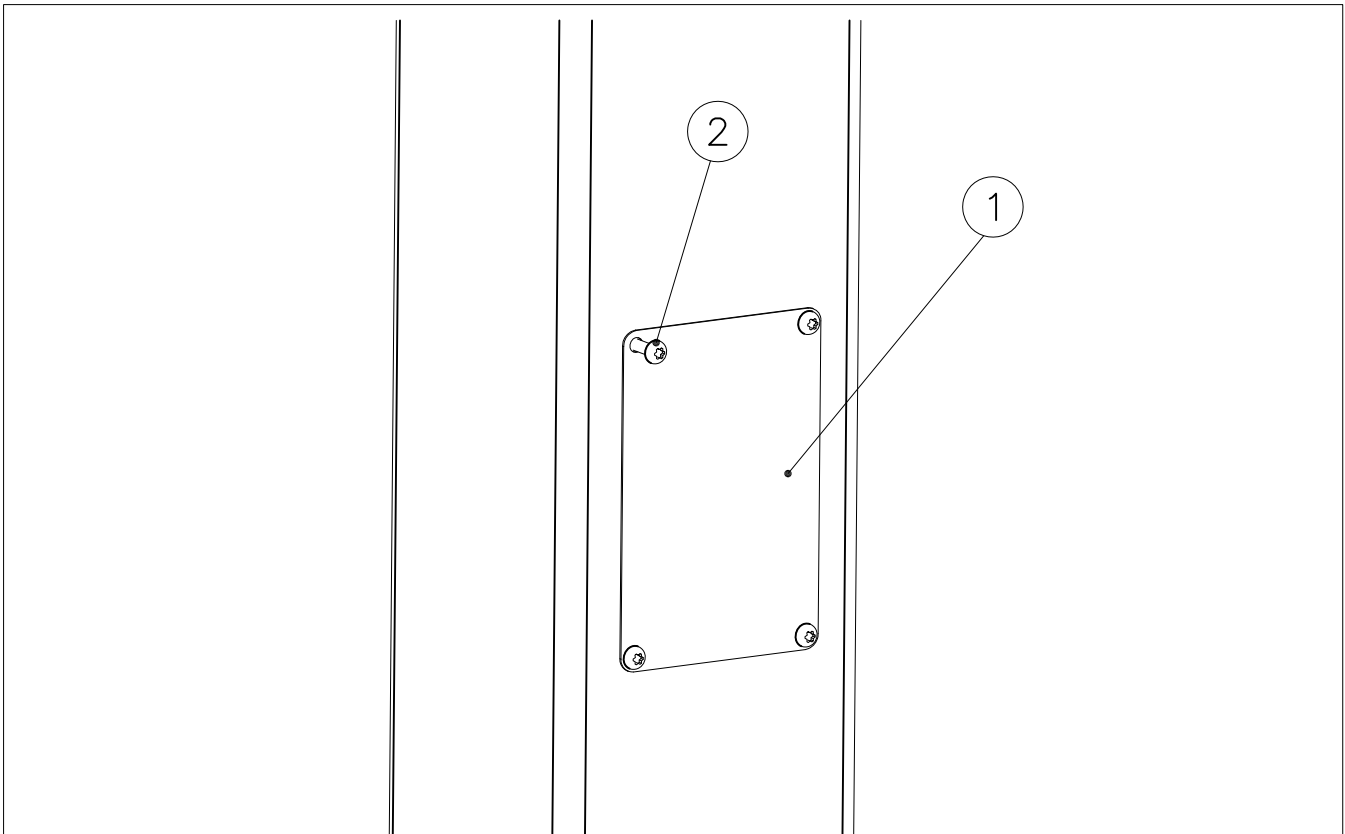
DET 57

DET 58

DET 59

DET 60

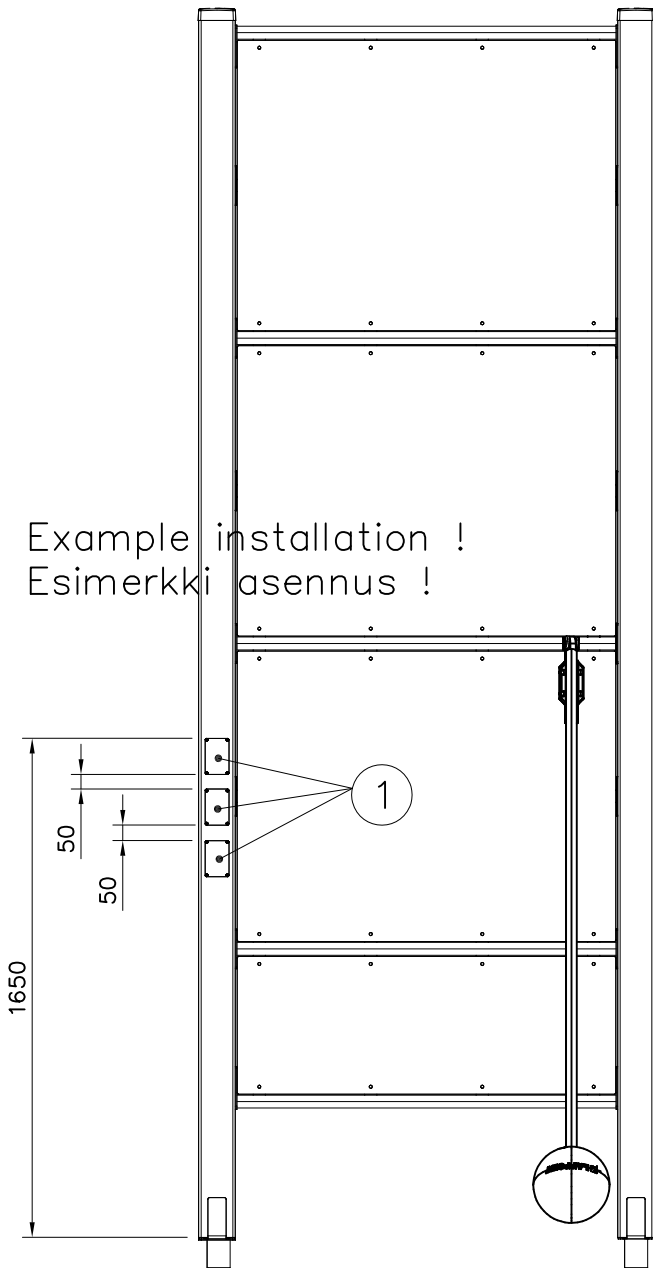
① SHEET METAL	PCS	② 980114	PCS
	1		4
118x78x0.7		Ø4x20	



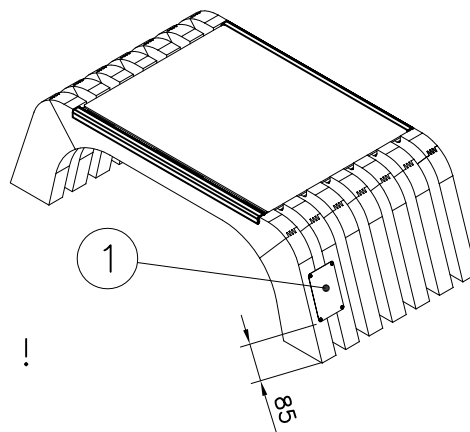
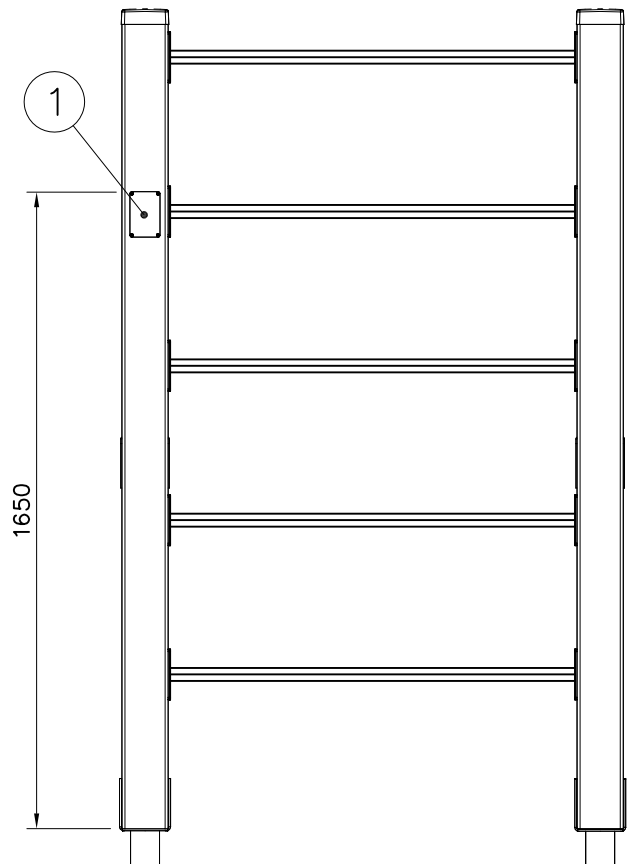
Example installation !
Esimerkki asennus !

Example installation !
Esimerkki asennus !

Example installation !
Esimerkki asennus !



Example installation !
Esimerkki asennus !



Example installation !
Esimerkki asennus !