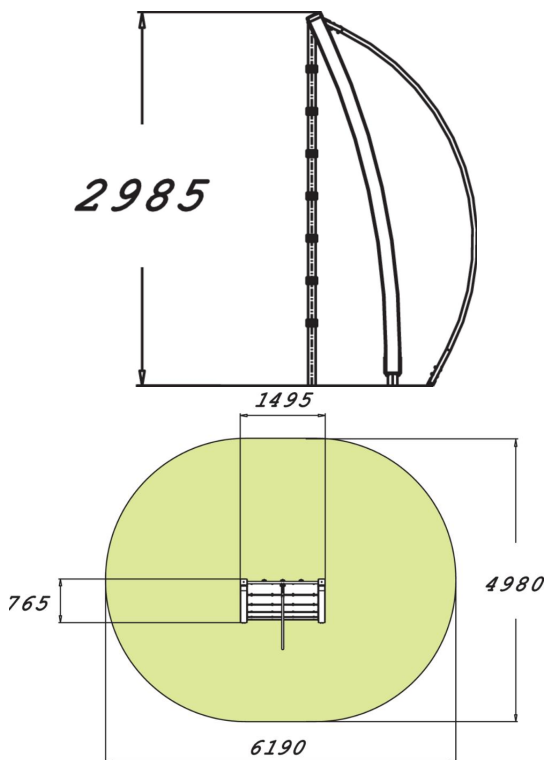




The Rope Wall is a 3,035 mm high obstacle wall with a net on one side and a solid wall with a rope on the other. The net is vertical and the wall is slightly curved. The rope wall can be used to climb high while strengthening the upper body. An easier version is to ascend using the ladder and descend using the rope; the harder option, challenging even for experienced exercisers, is the opposite way around. Climbing a wall is a fun way of providing new forms of exercise for adults, which is guaranteed to raise the heart rate!



Product length, mm	1495
Product width, mm	765
Product height, mm	2985
Impact area, m ²	25.6
Height required, mm	4460
Max. free fall height, mm	2960
Safety info	EN 16630, EN 1176-1 TÜV
Installation time (for 1), H	4
Foundation options	Deep mounting Surface mounting