

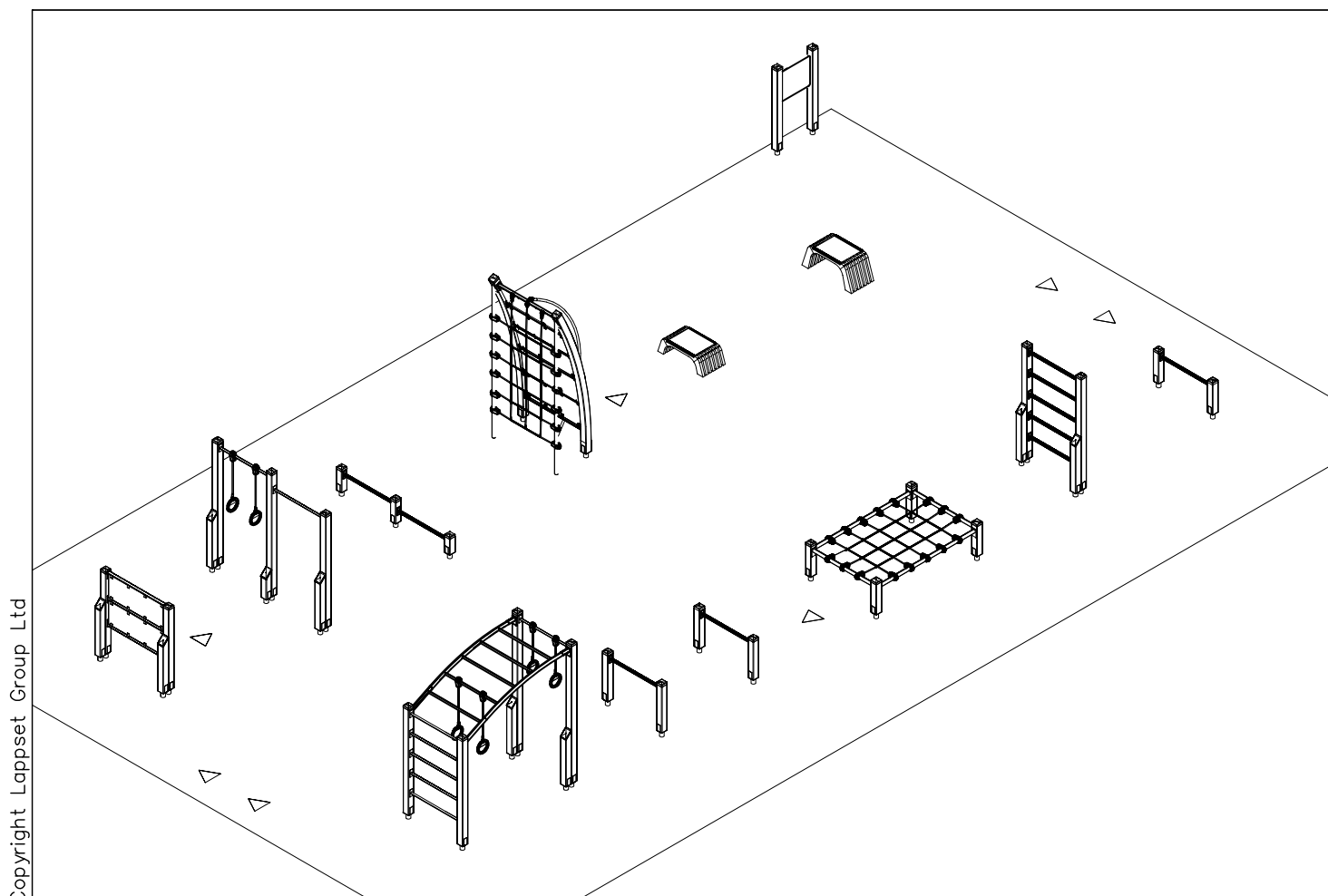
LAPPSET®

SPORT

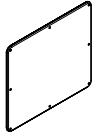




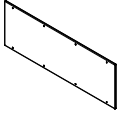
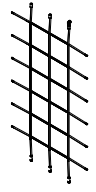




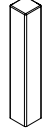
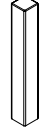
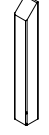
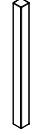
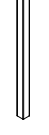
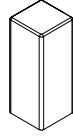



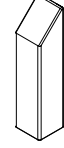
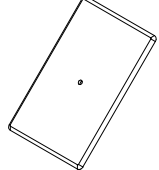
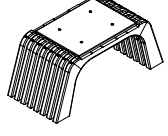
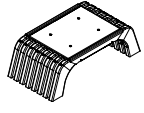
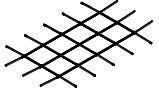
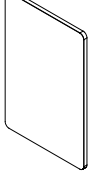
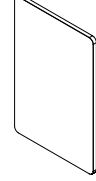
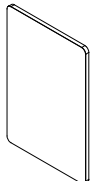
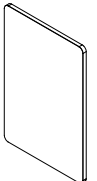
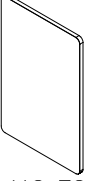
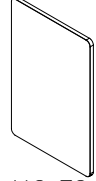
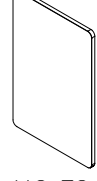
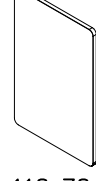
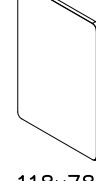
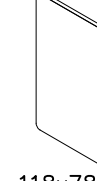
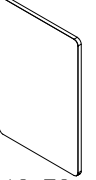
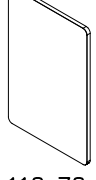

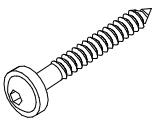
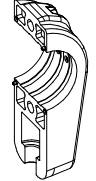
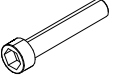
ASENNUSOHJE
MONTERINGSANSVISNING
INSTALLATION INSTRUCTION
AUFBAUANLEITUNG
NOTICE D'INSTALLATION

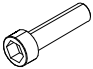
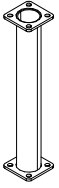
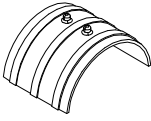

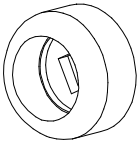
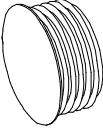
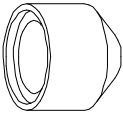
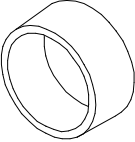

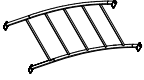
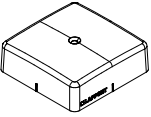
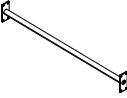
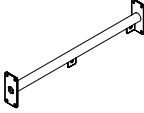
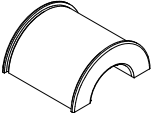
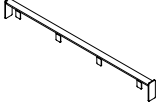
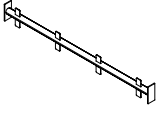
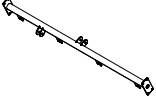
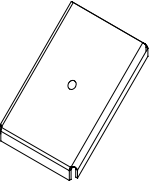
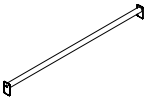
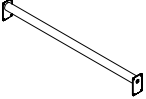

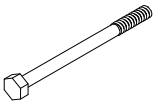
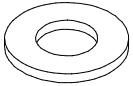


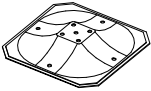
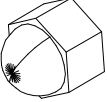
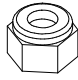
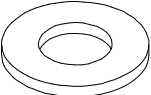
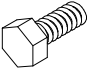

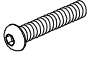
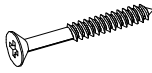
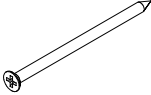

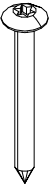
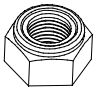
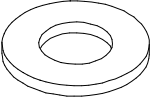
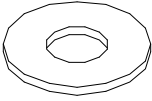
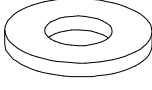

DATE: 31.8.2015

081305M




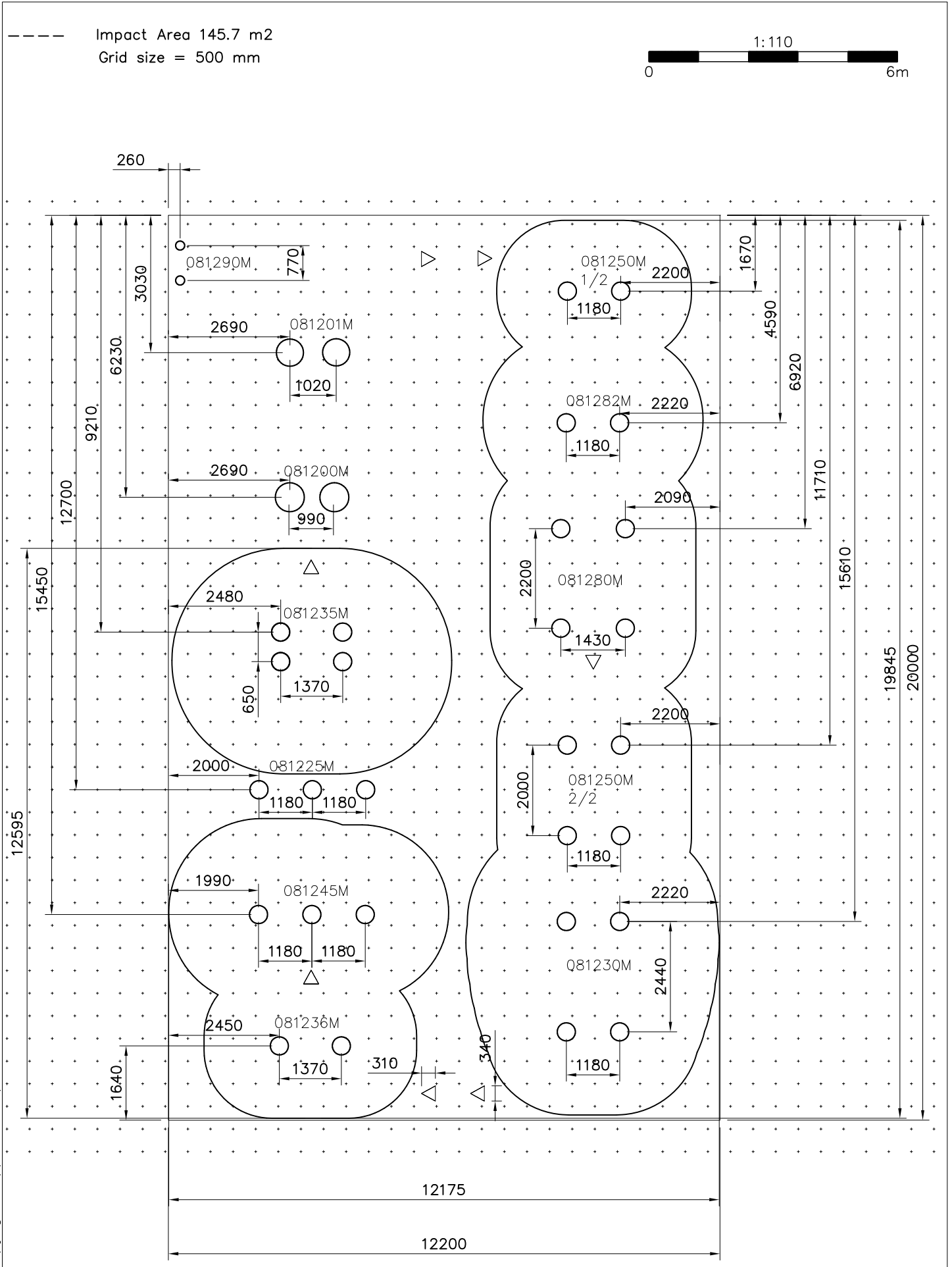
DATE: 18.9.2017

	PCS	705024  15x640x560	PCS	705027  120x120x1520	PCS	705037  120x120x2590	PCS	705039  Ø16x974	PCS	705040  Ø16x764	PCS	2
705041  19x451x1240	PCS	705044  WALL CLIMBER	PCS	705050  120x120	PCS	705059  WALL CLIMBER DEEP	PCS	705231  120x120x2290	PCS	705328  120x120x570	PCS	6
705329  120x120x720	PCS	705330  120x120x870	PCS	705335  120x120x1000	PCS	705345  120x120x1520	PCS	705347  120x120x1990	PCS	705348  120x120x300	PCS	1
705349  120x120x400	PCS	705388  120x120x2090	PCS	705402  120x120x2290	PCS	705405  120x120x500	PCS	705406  126x181x15	PCS	705411  M ACTIVE	PCS	1
705428  S ACTIVE	PCS	705537  118x78	PCS	706017  118x78	PCS	706018  118x78	PCS	706025  118x78	PCS	706026  118x78	PCS	1
706027  118x78	PCS	706028  118x78	PCS	706030  118x78	PCS	706031  118x78	PCS	706036  118x78	PCS	706037  118x78	PCS	1
706060  118x78	PCS	706087  118x78	PCS	706088  118x78	PCS	900240  Ø8x70	PCS	902195  150x50x50	PCS	902232  M10x55	PCS	34

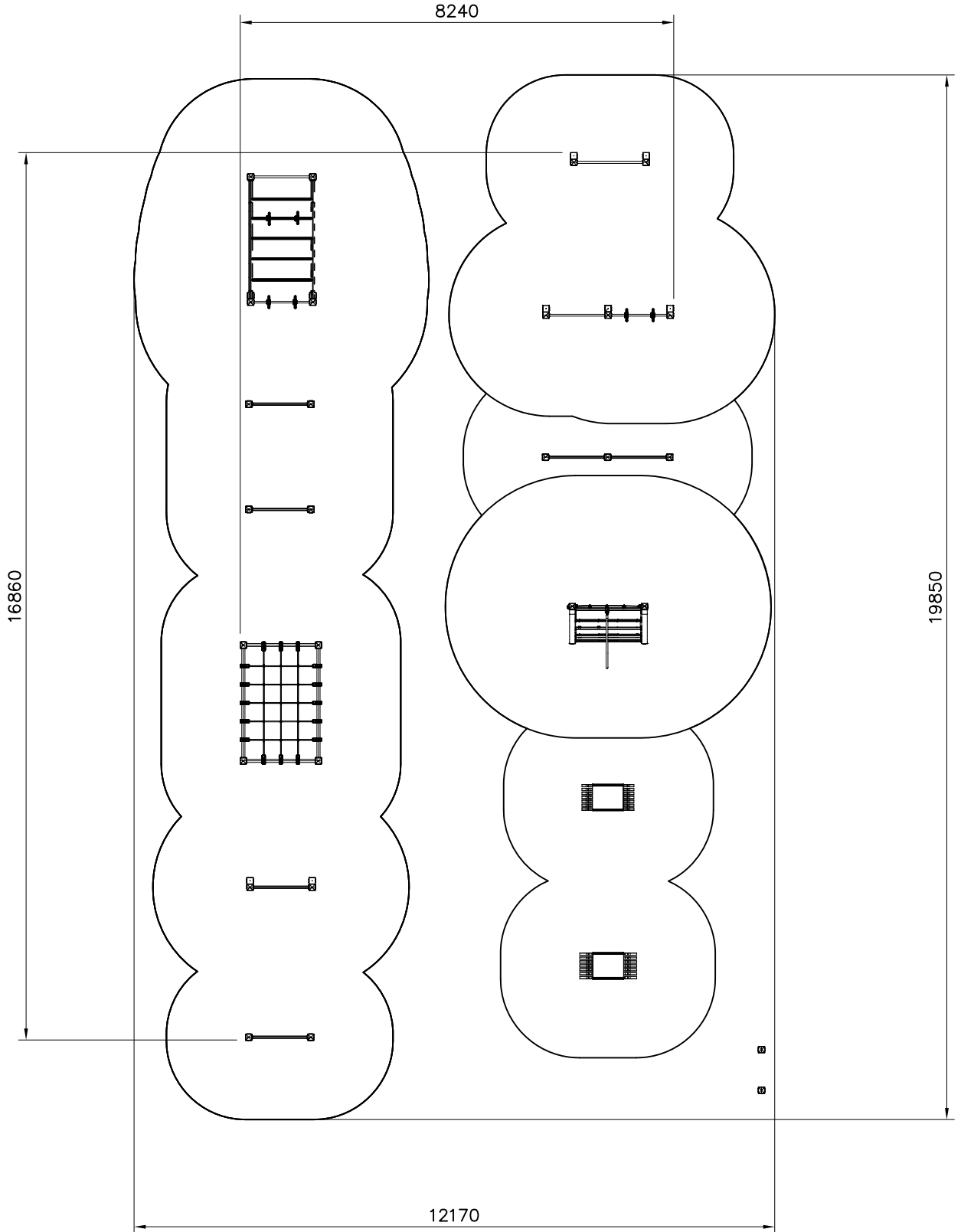
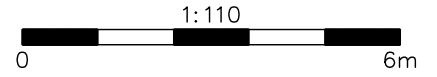
902233  M10x30	PCS 34	902272  90x90x450	PCS 8	902273  56	PCS 56		PCS	904064  Ø60x3416	PCS 2	905083  Ø32	PCS 8
905103  PT-28/32-H	PCS 25	905104  M10	PCS 148	905112  Ø22	PCS 8	905761  120x120x700	PCS 37	905800  2260x600x1270	PCS 1	905830  123x123x40	PCS 28
905838  L=1060	PCS 18	905936  L=652	PCS 2	906006  Ø64/36,4x59	PCS 12	906009  Ø42,4x1252	PCS 3	906021  Ø42,4x1252	PCS 5	906071  Ø42,4x1252	PCS 1
906583  126x181x14x3	PCS 8	906725  Ø60x2080	PCS 2	906727  Ø60x1307	PCS 2	909097  M8x60	PCS 3	909246  M12x140	PCS 25	909256  Ø16/8.4x1.6	PCS 472
909267  M8x70	PCS 1	980161  M10	PCS 68	909519  50x380x380	PCS 11	909633  M8	PCS 24	909637  M10	PCS 25	909638  Ø20/10.5	PCS 50
909639  M10x25	PCS 25	909852  M8x30	PCS 58	909855  M8x35	PCS 6	980100  Ø5x60	PCS 9	980104  Ø5x90	PCS 28	980114  Ø4x20	PCS 52
980123  Ø7x60	PCS 420	980150  M8	PCS 4	980151  Ø16/8.4	PCS 8	980152  Ø24/8.4x2	PCS 16	980154  Ø24/13	PCS 25	980160  M8	PCS 40

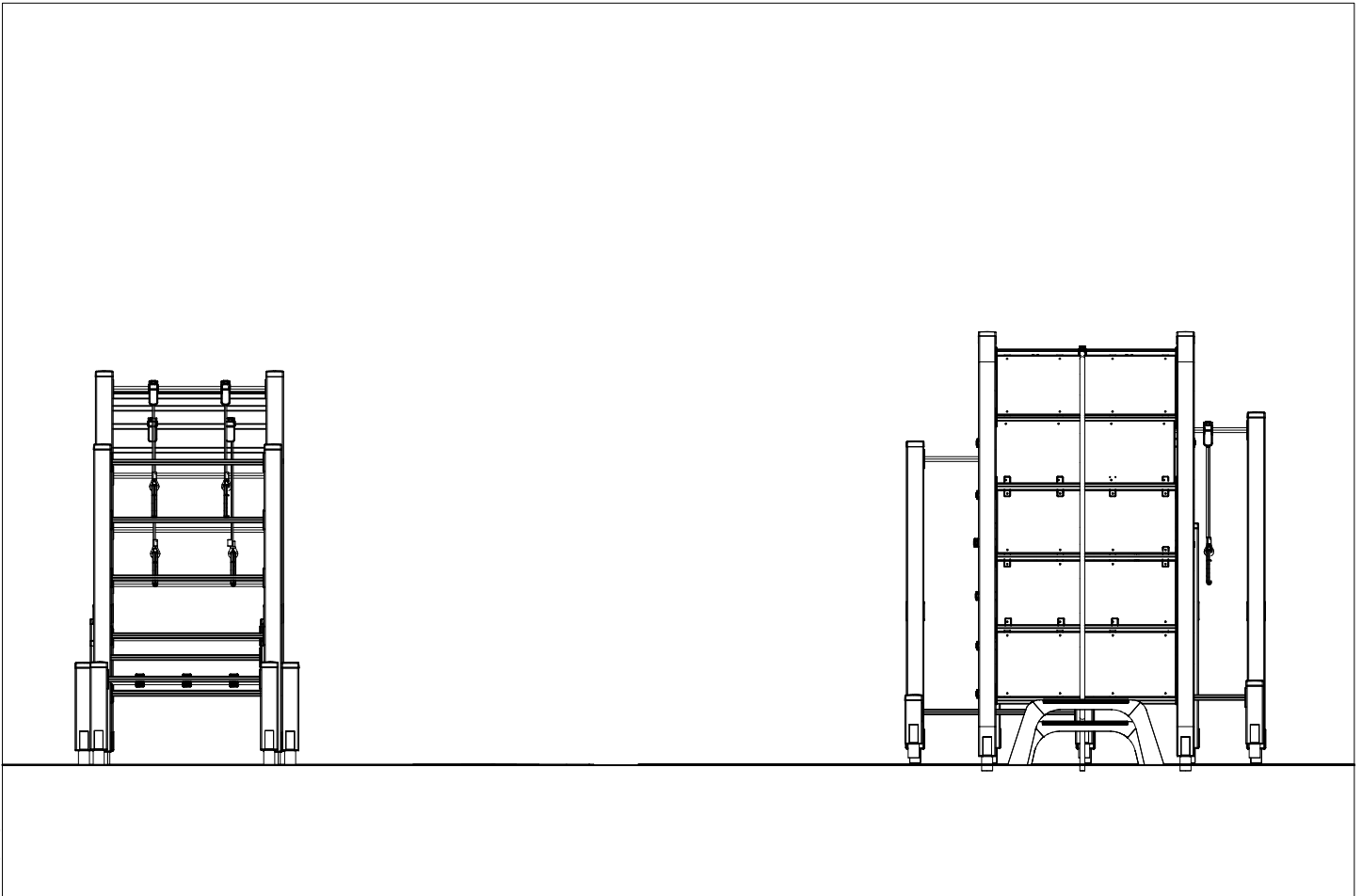
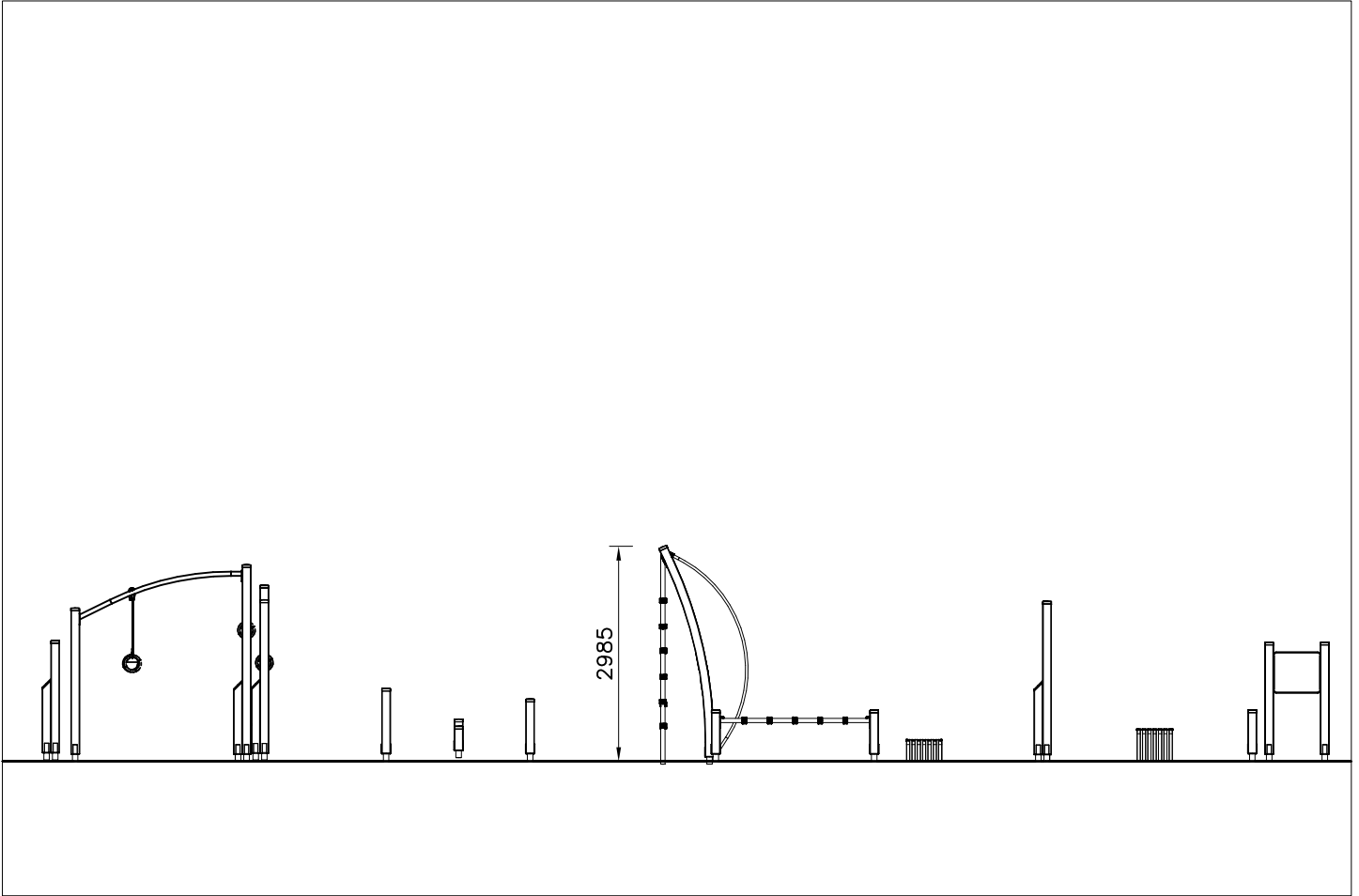
DATE: 31.8.2015

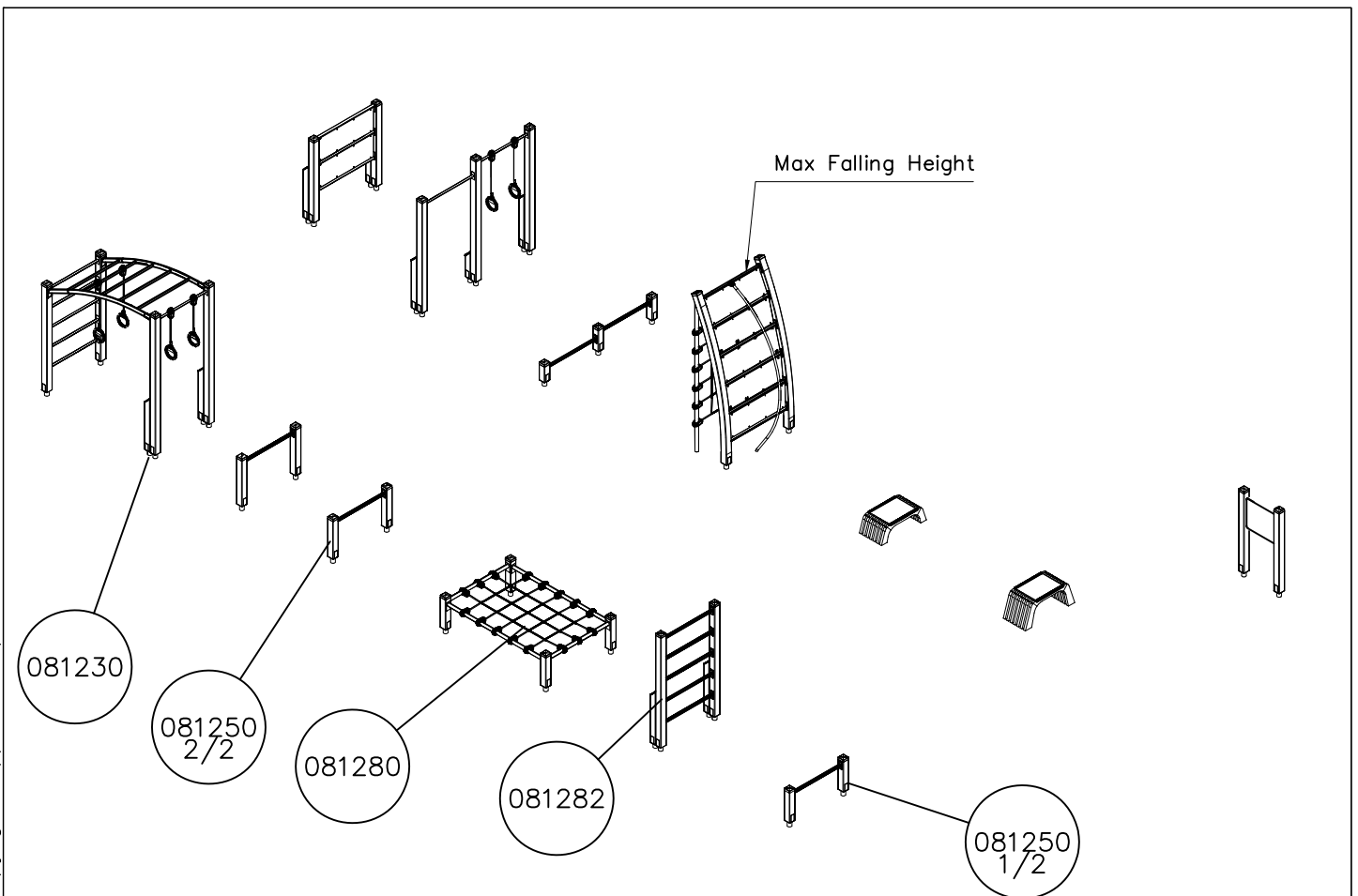
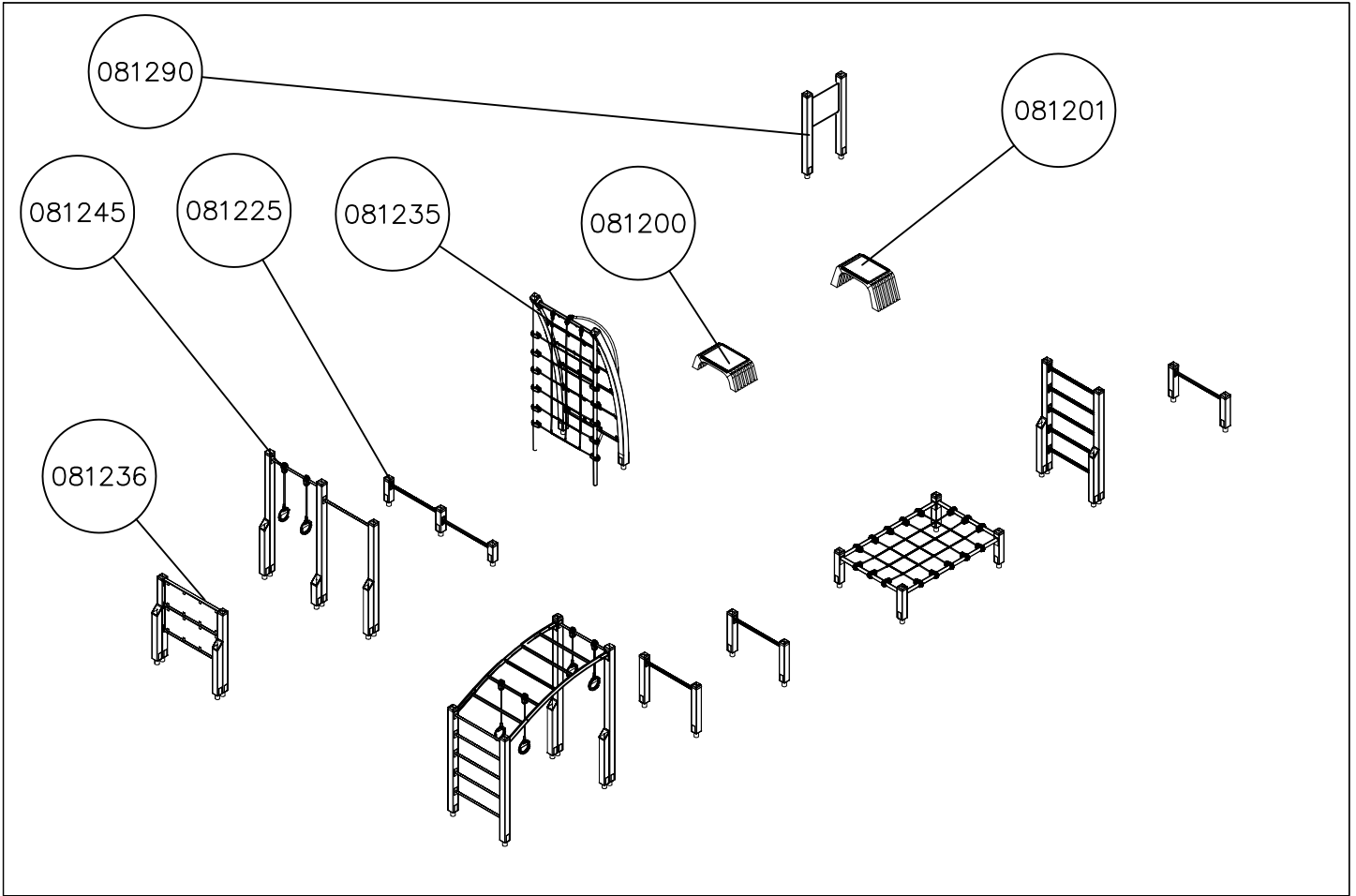
980161	PCS		PCS		PCS		PCS		PCS		PCS
	68										
											
M10											
	PCS		PCS		PCS		PCS		PCS		PCS
	PCS		PCS		PCS		PCS		PCS		PCS
	PCS		PCS		PCS		PCS		PCS		PCS
	PCS		PCS		PCS		PCS		PCS		PCS

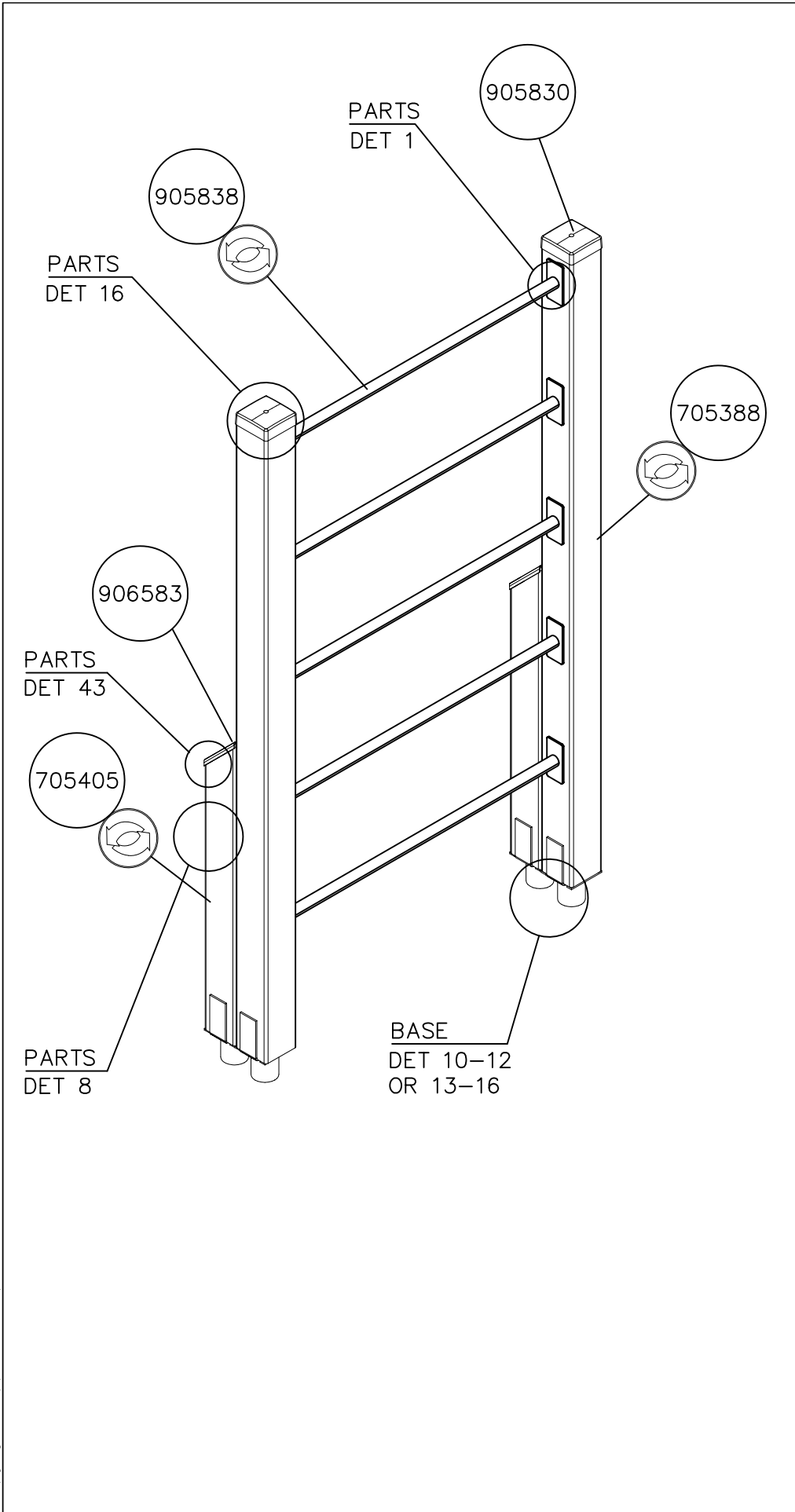





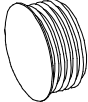
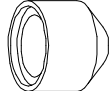
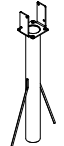
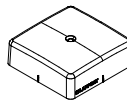
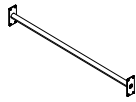
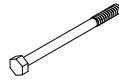
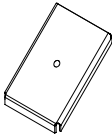


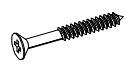

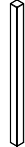

— Area of Movement 175.1 m²
- - - Impact Area 145.7 m²
Max Falling Height 2960 mm

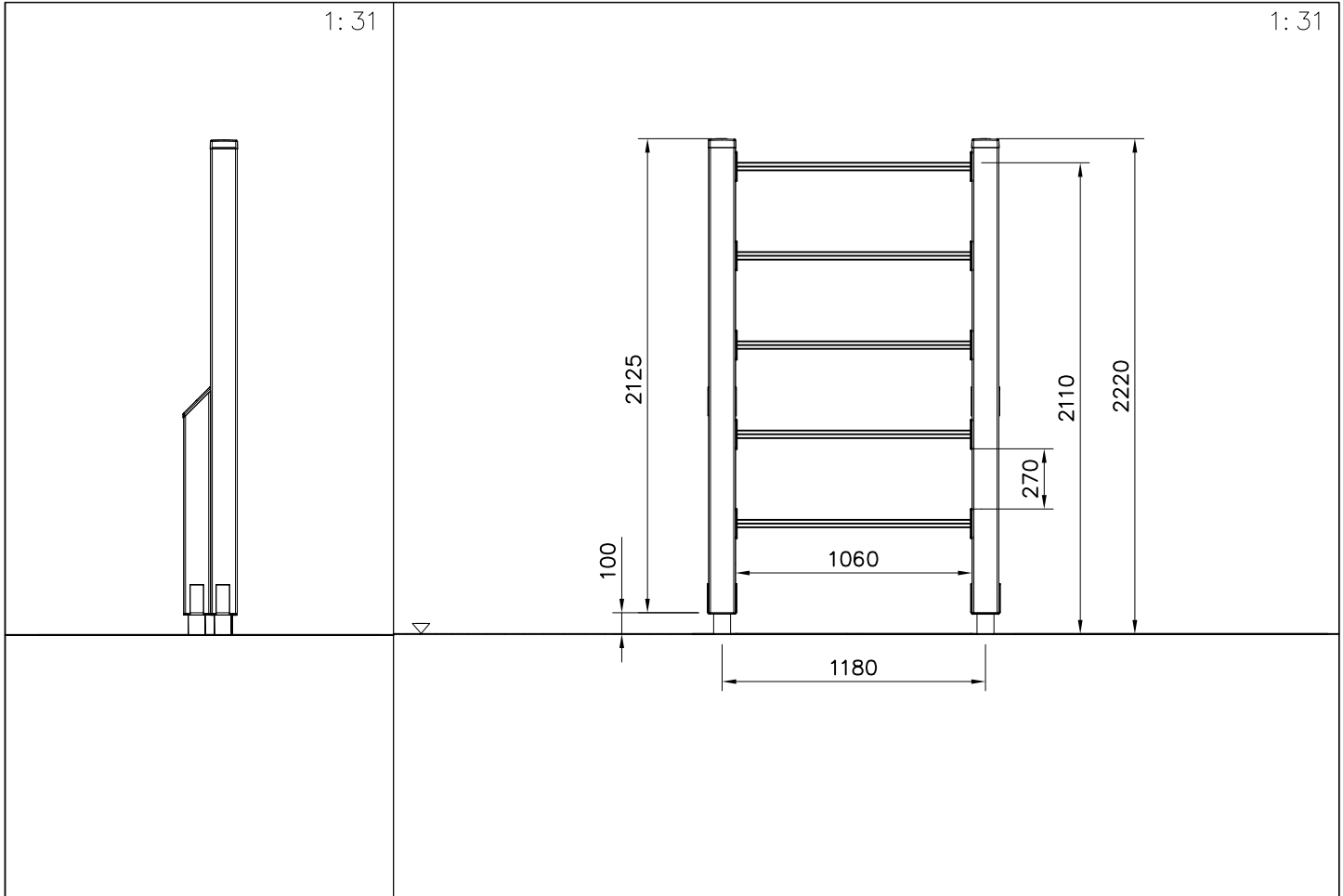






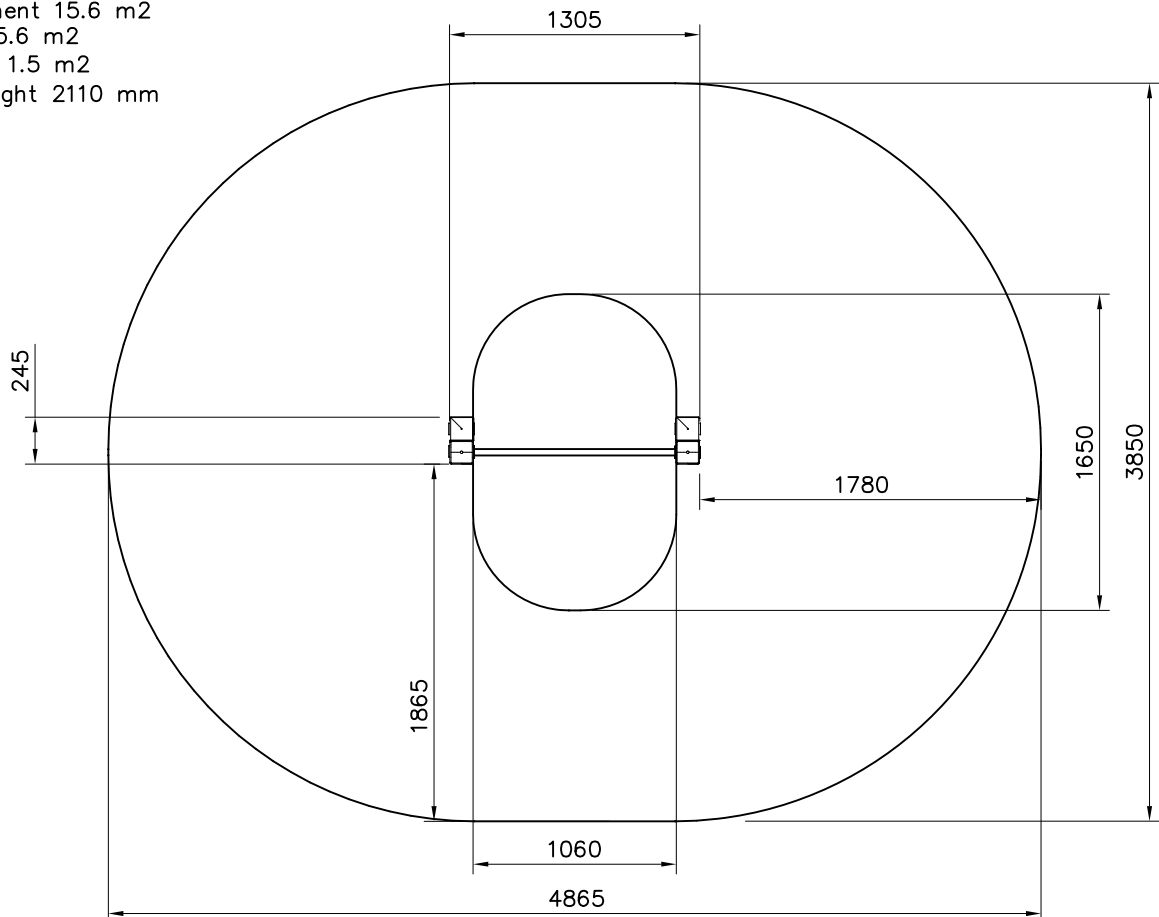


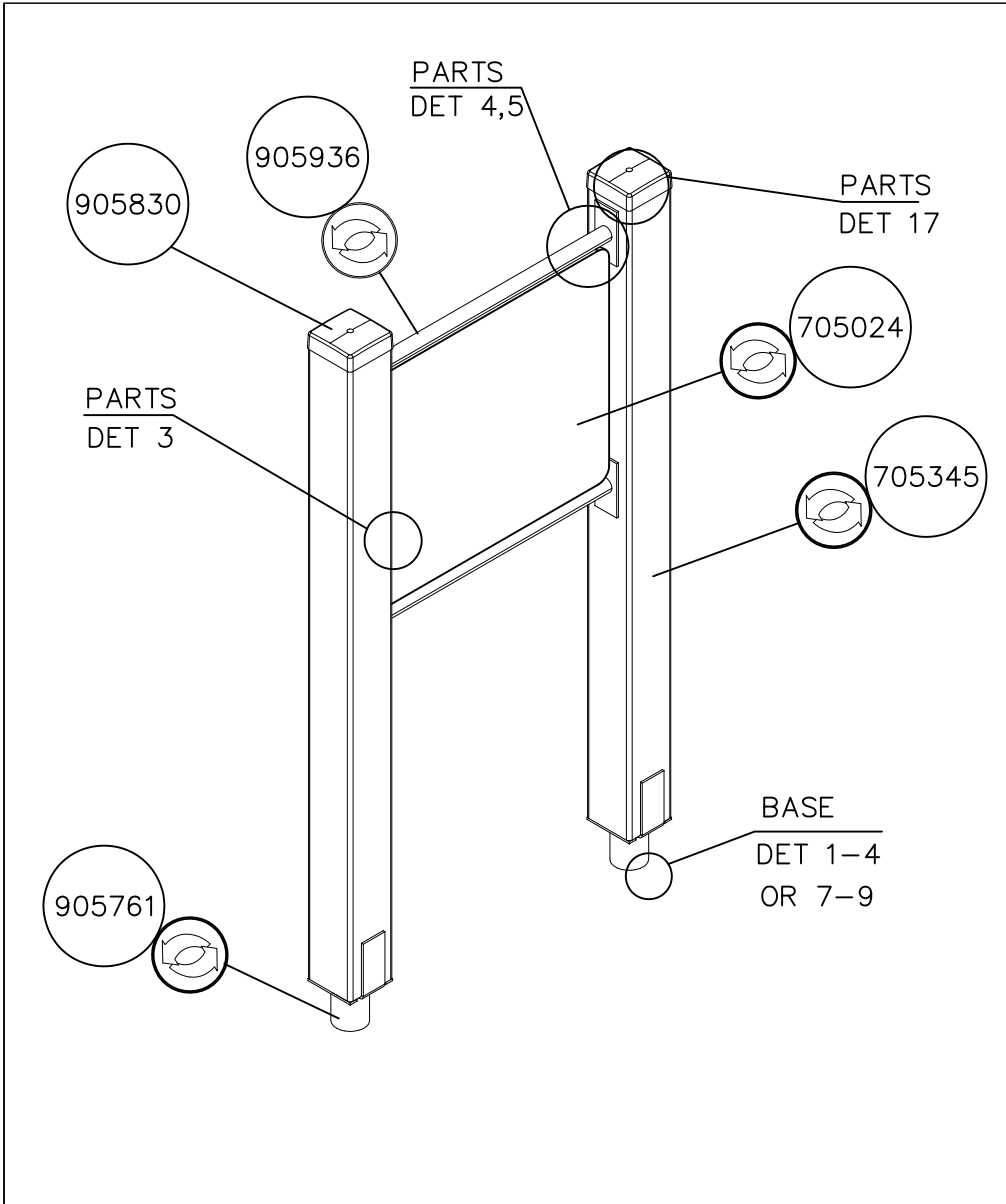
①	706037	PCS	②	705335	PCS
	1			2	
			120x120x1000		
③	980114	PCS	④	905103	PCS
	4			6	
Ø4x20			PT-28/32-H		
⑤	905104	PCS	⑥	905761	PCS
	16			4	
M10			120x120x700		
⑦	905830	PCS	⑧	905838	PCS
	2			5	
123x123x40			L=1060		
⑨	909246	PCS	⑩	906583	PCS
	6			2	
M12x140			126x181x14x3		
⑪	980104	PCS	⑫	980123	PCS
	2			56	
Ø5x90			Ø7x60		
⑬	980100	PCS	⑭	980154	PCS
	2			6	
Ø5x60			Ø24/13		
⑮	705388	PCS	⑯	909256	PCS
	2			56	
120x120x2090			Ø16/8.4		



Area of Movement 15.6 m²
Impact Area 15.6 m²
Training Space 1.5 m²
Max Falling Height 2110 mm

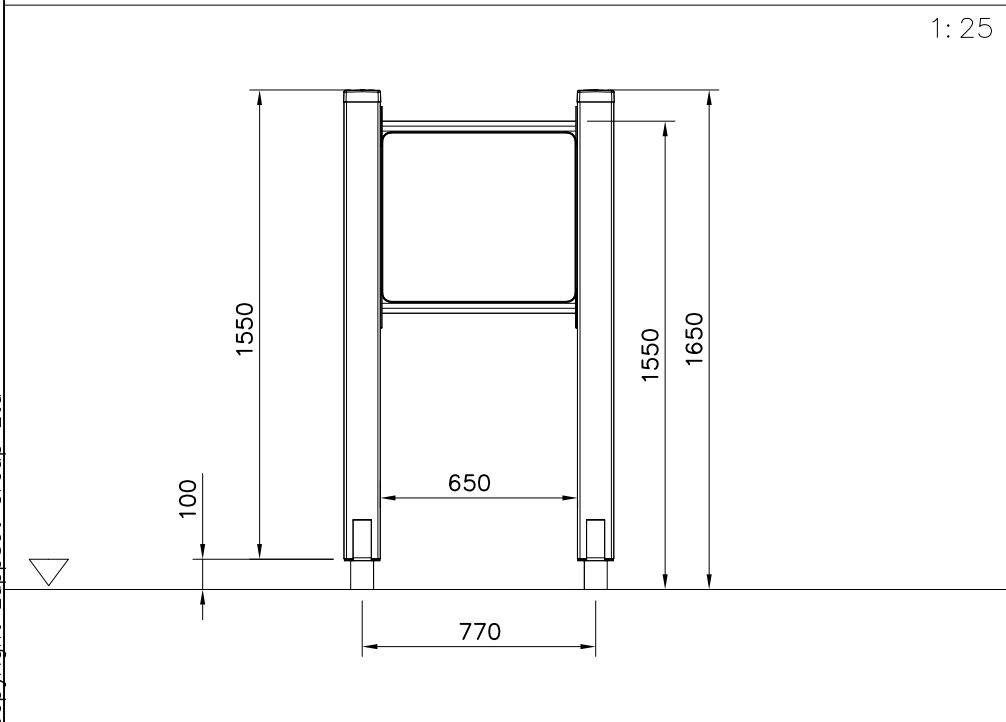
1: 39

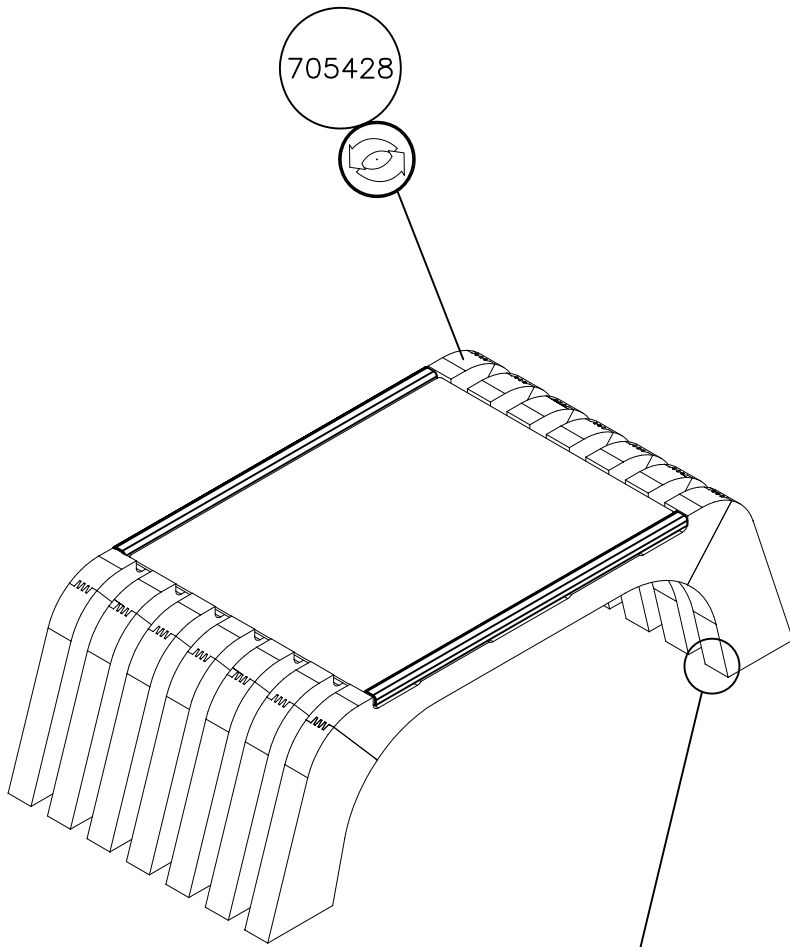






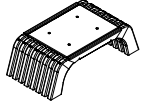
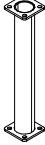
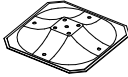
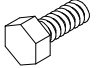


① 705024	PCS	② 705345	PCS
	1		2
15x640x560		120x120x1520	
③ 909633	PCS	④ 905104	PCS
	8		8
M8		M10	
⑤ 905761	PCS	⑥ 905830	PCS
	2		2
120x120x700		123x123x40	
⑦ 905936	PCS	⑧ 909256	PCS
	2		28
L=652		Ø16/8.4x1.6	
⑨ 909855	PCS	⑩ 980104	PCS
	8		2
M8x35		Ø5x90	
⑪ 980123	PCS		PCS
	20		
Ø7x60			
⑫ 901899 Optio	PCS		PCS
	8		
M8x45			
	PCS		PCS

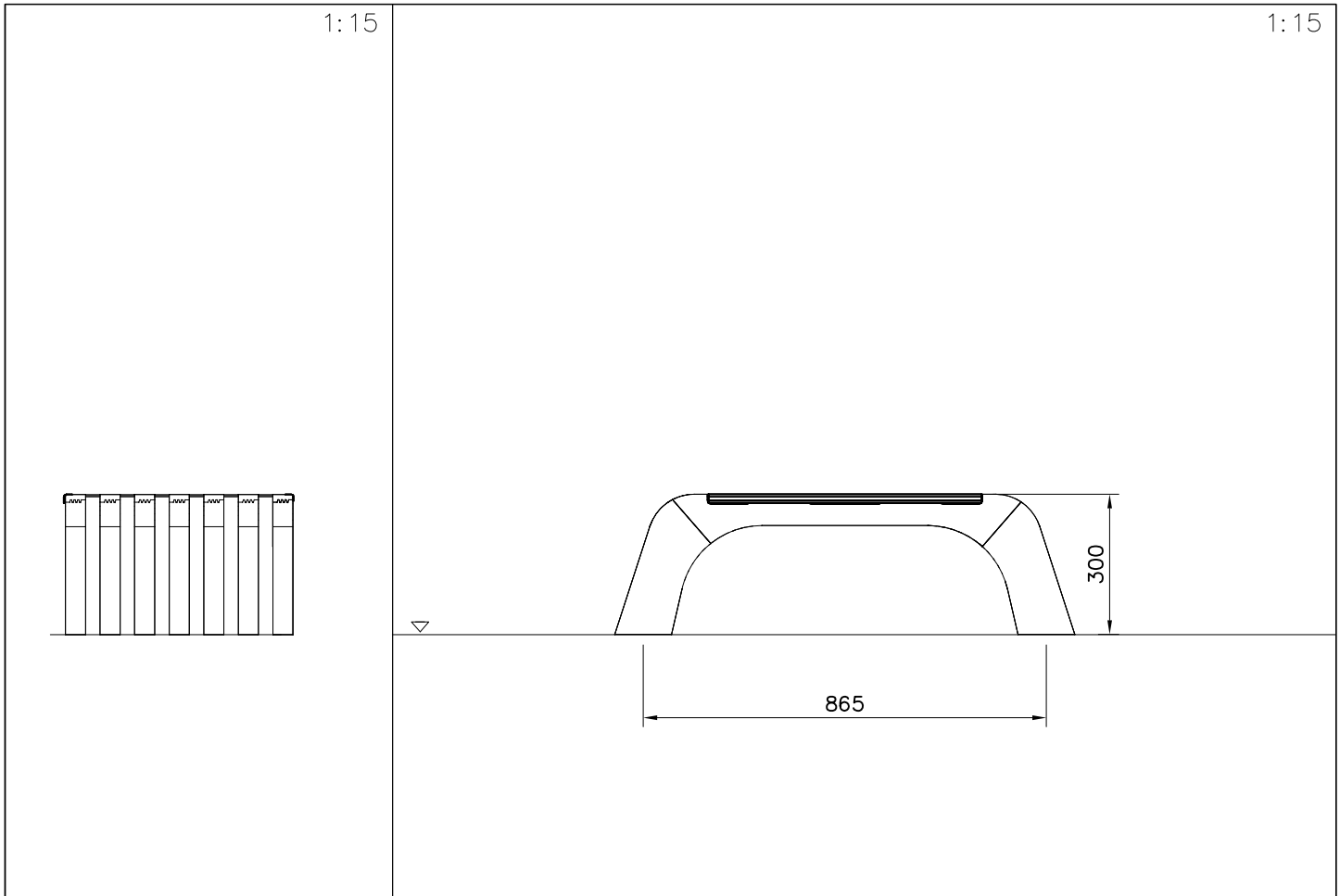
1: 25





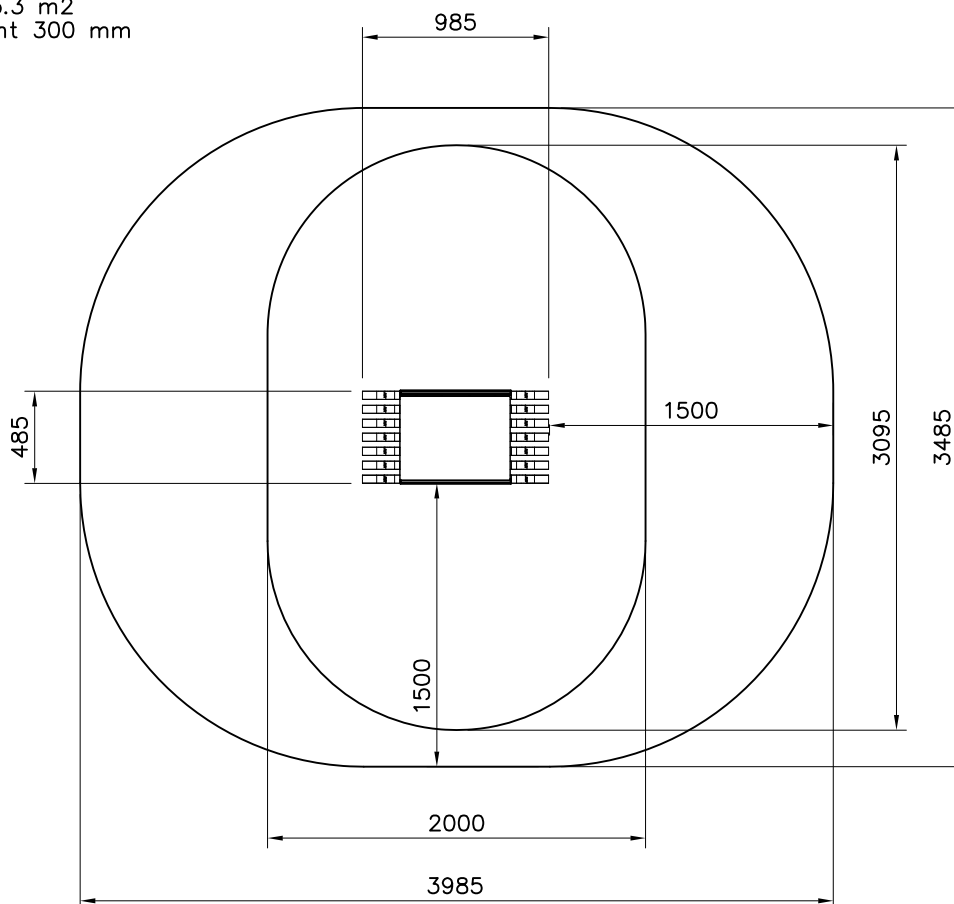
BASE
DET 22-24
OR 25-27

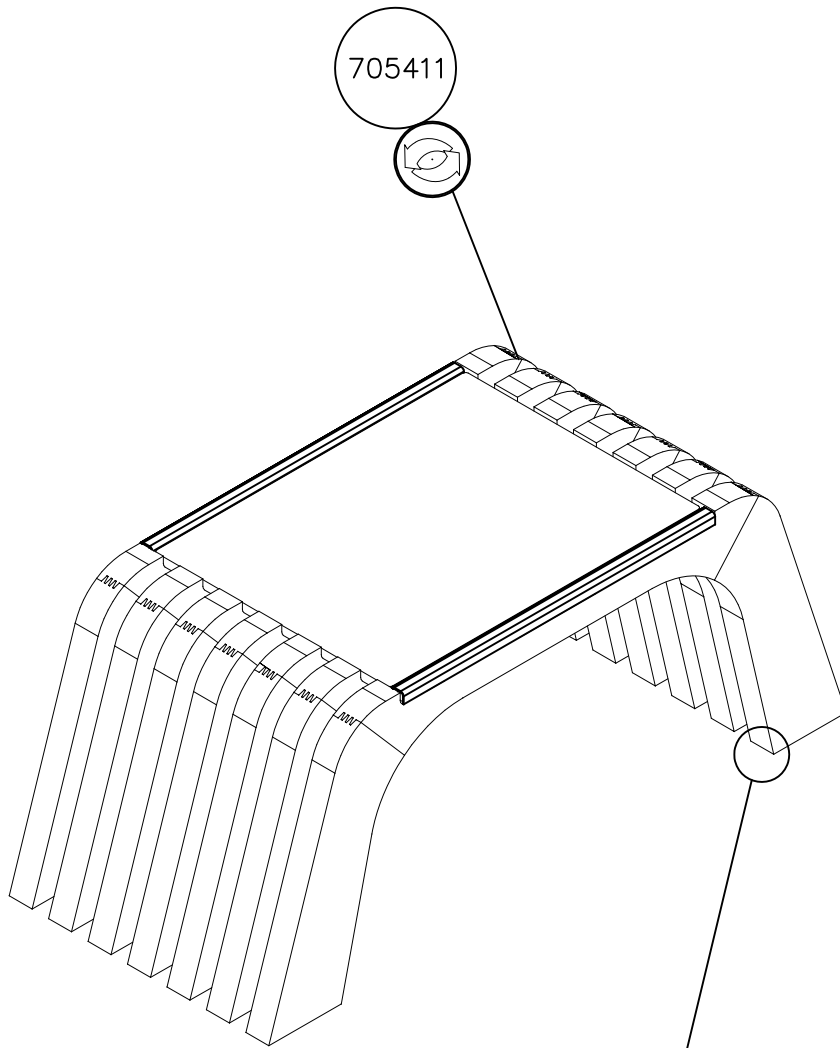
① 706017	PCS	② 980114	PCS
	1		4
		Ø4x20	
③ 705428	PCS	④ 902272	PCS
	1		4
		90x90x450	
⑤ 909519	PCS	⑥ 909639	PCS
	4		8
50x380x380		M10x25	
⑦ 909638	PCS	⑧ 909637	PCS
	16		8
Ø20/10.5		M10	
	PCS		PCS
	PCS		PCS
	PCS		PCS
	PCS		PCS



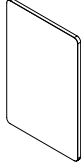

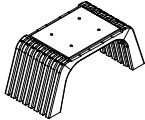


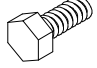


Area of Movement 12 m²
Training Space 5.3 m²
Max Falling Height 300 mm

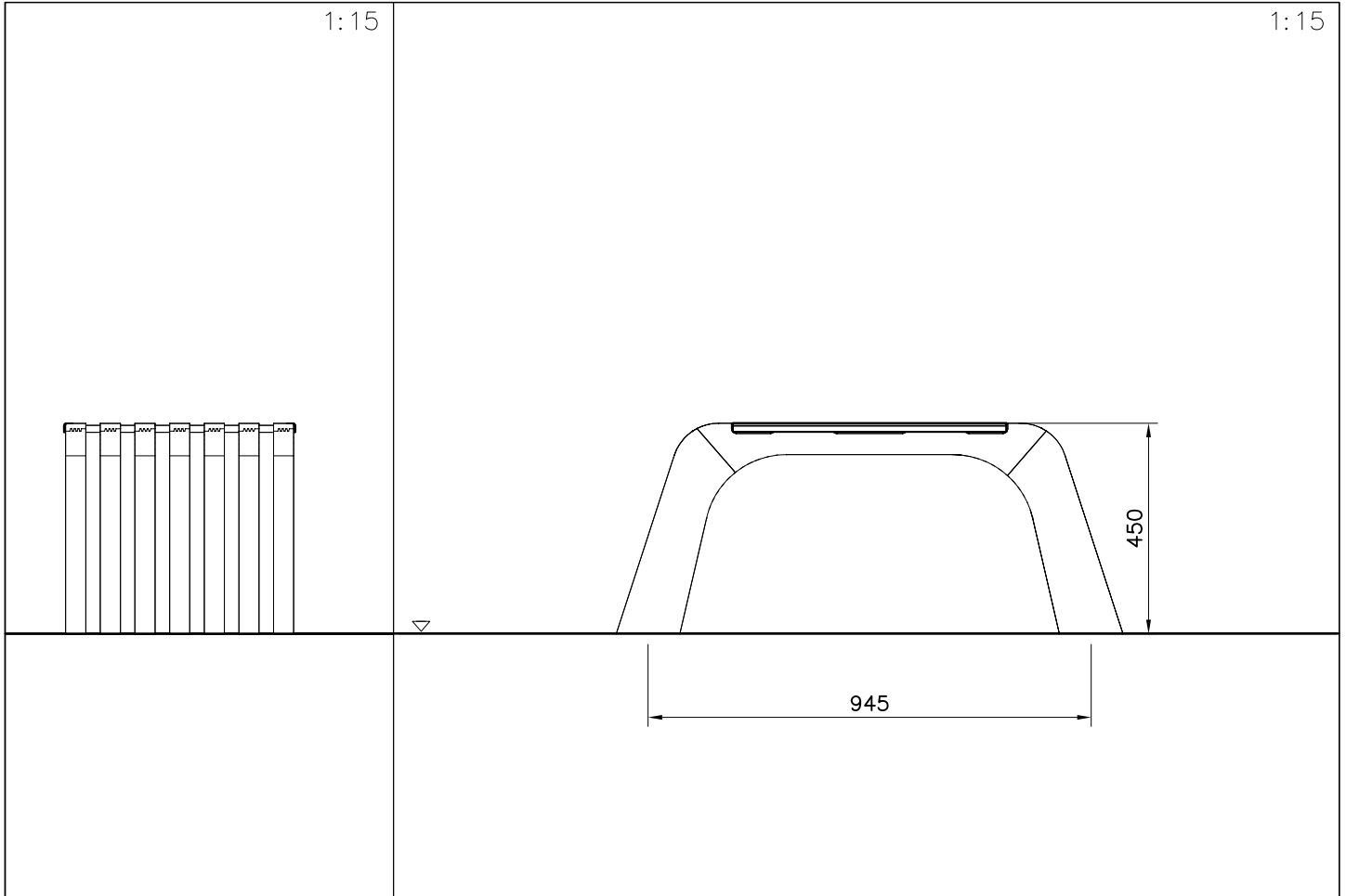
1:40





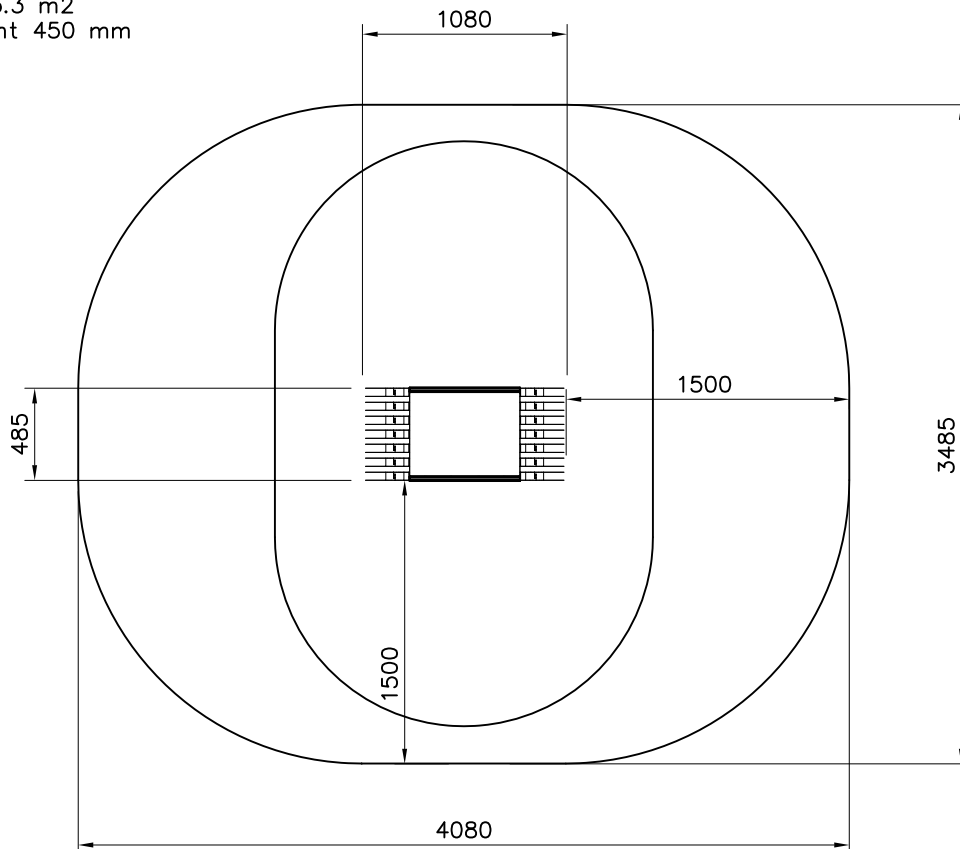
BASE
DET 22-24
OR 25-27

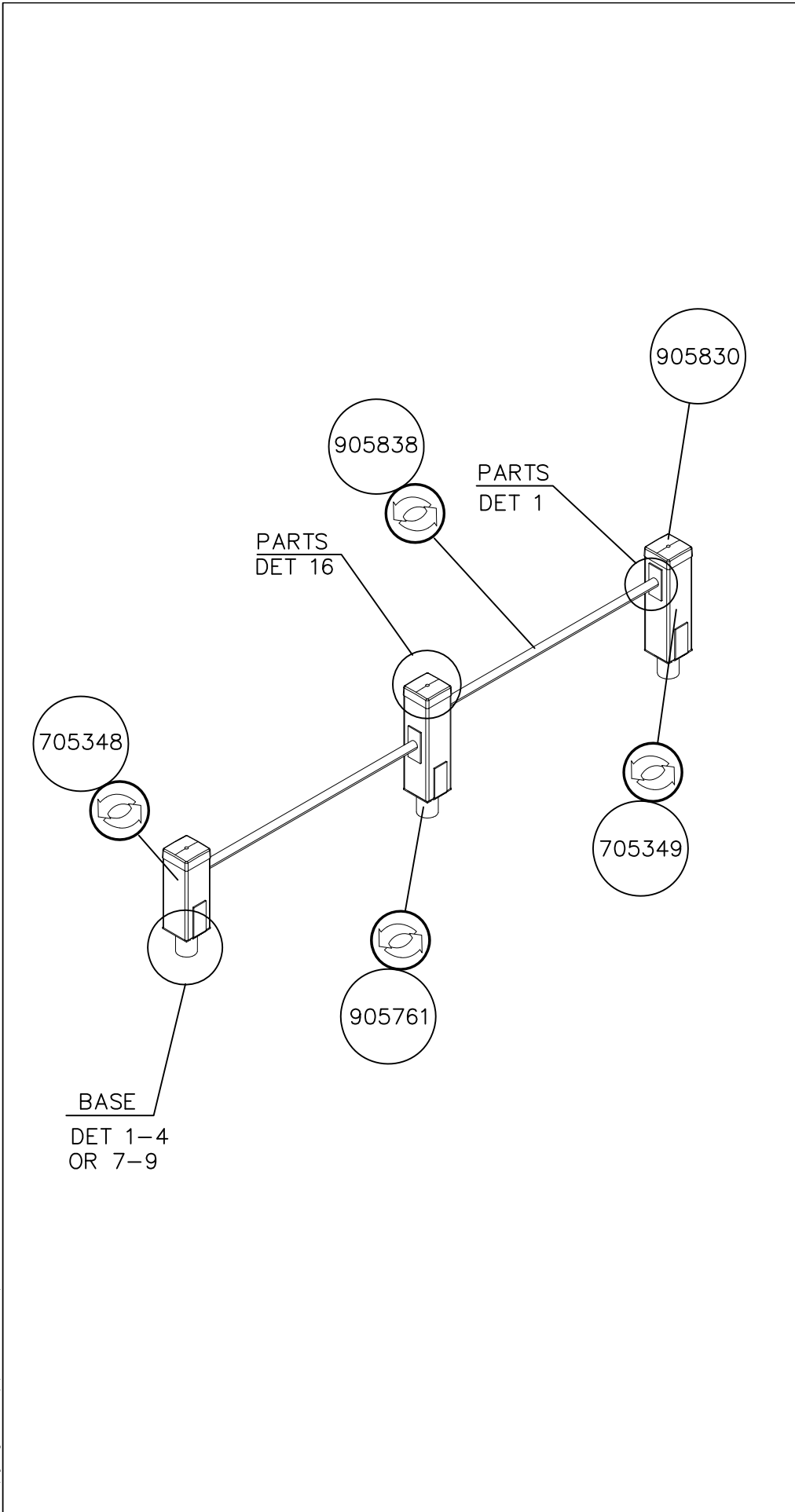
① 706018	PCS	② 980114	PCS
	1		4
		Ø4x20	
③ 705411	PCS	④ 902272	PCS
	1		4
		90x90x450	
⑤ 909519	PCS	⑥ 909639	PCS
	4		8
50x380x380		M10x25	
⑦ 909638	PCS	⑧ 909637	PCS
	16		8
Ø20/10.5		M10	
	PCS		PCS
	PCS		PCS
	PCS		PCS



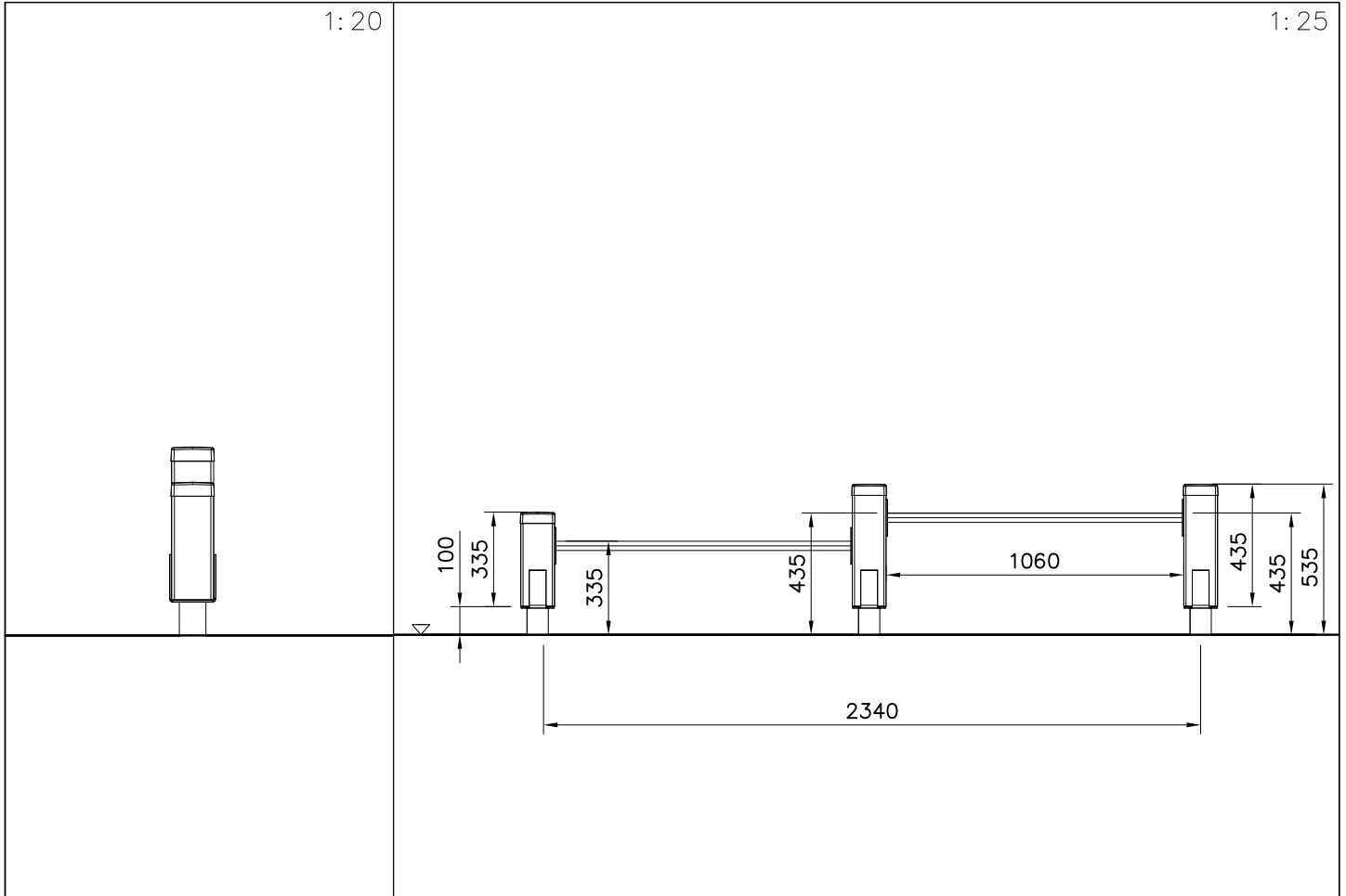
Area of Movement 12.3 m²
Training Space 5.3 m²
Max Falling Height 450 mm

1:40



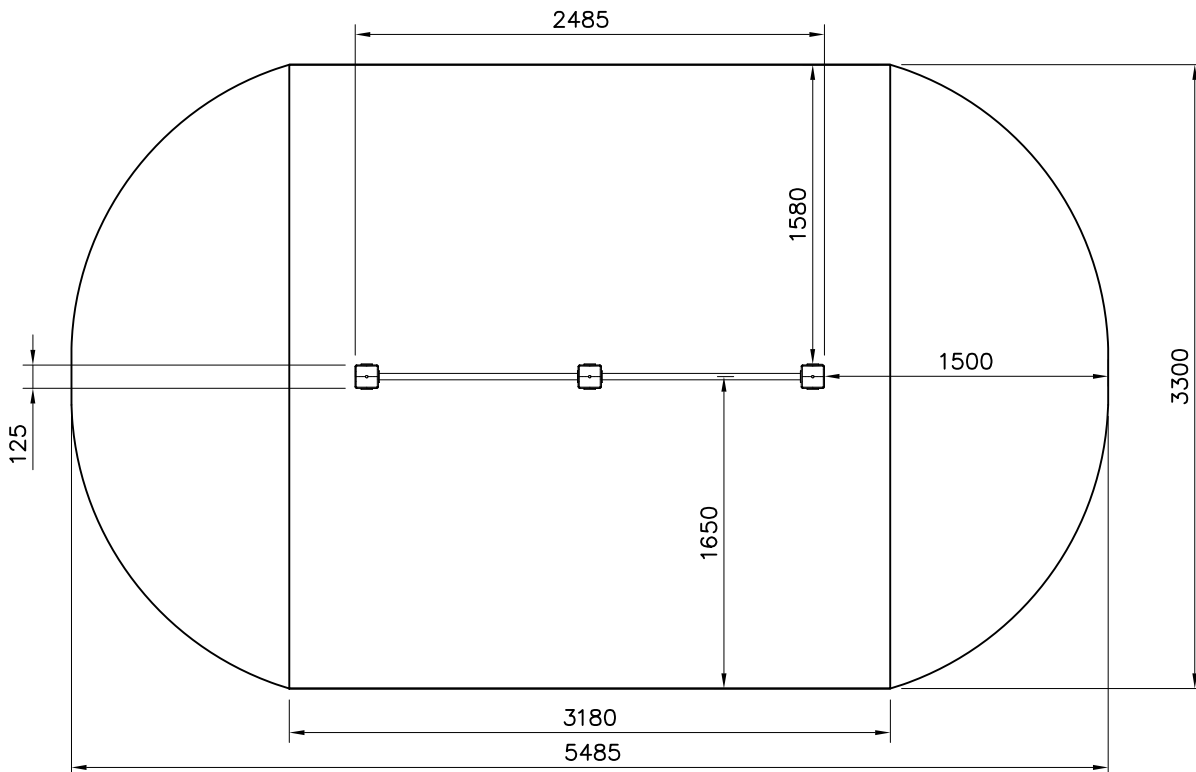


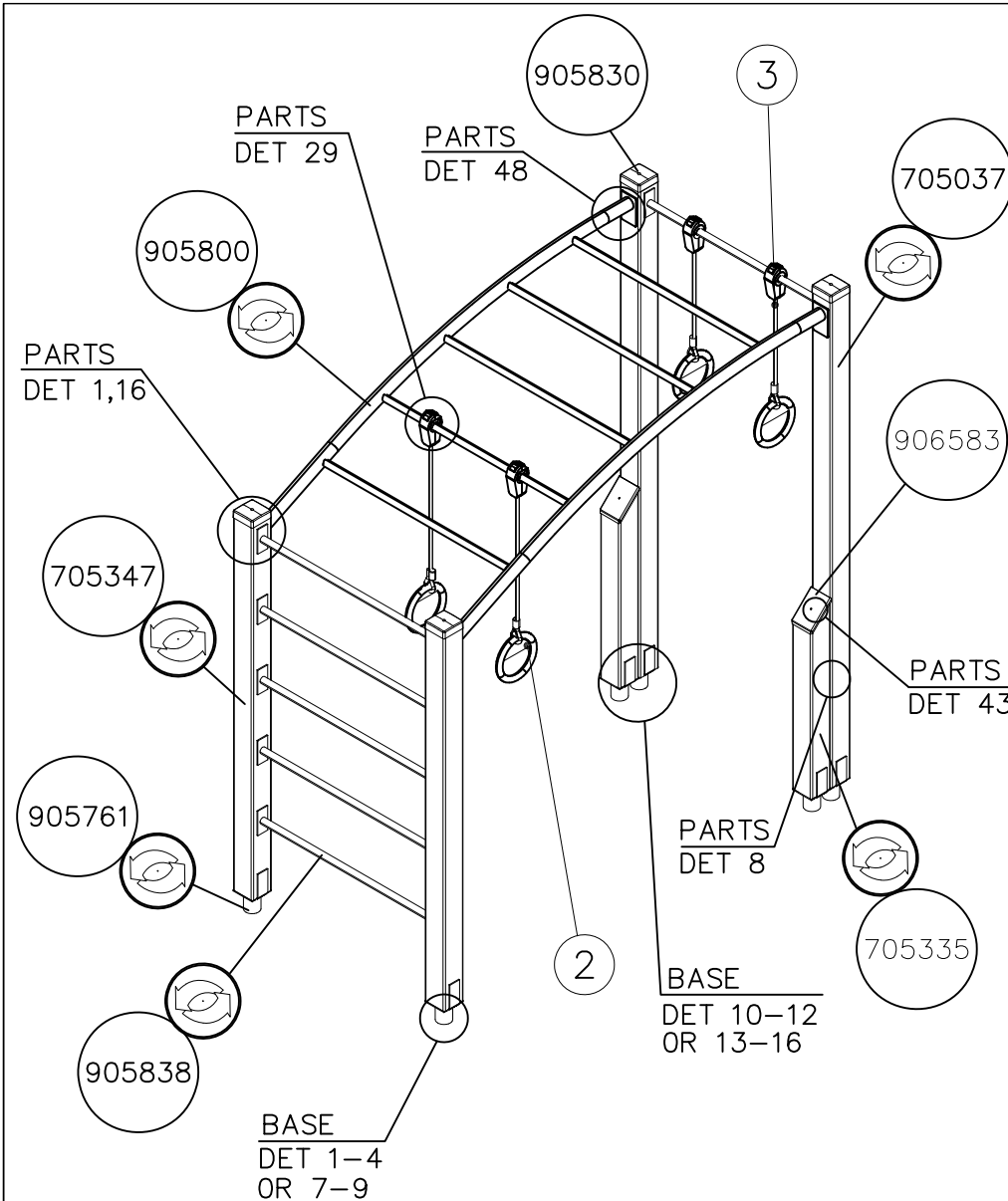
①	706025	PCS	②	705348	PCS
		1		120x120x300	1
③	705349	PCS	④	980114	PCS
		2		Ø4x20	4
	120x120x400				
⑤	980123	PCS	⑥	905104	PCS
		28		M10	12
	Ø7x60				
⑦	905761	PCS	⑧	905830	PCS
		3		123x123x40	3
	120x120x700				
⑨	905838	PCS	⑩	980104	PCS
		2		Ø5x90	3
	L=1060				
⑪	909256	PCS			PCS
		28			
	Ø16/8.4				
		PCS			PCS
		PCS			PCS



Area of Movement 16.2 m²
Training Space 10.5m²
Max Falling Height 435 mm

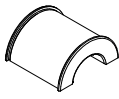
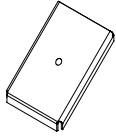
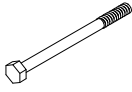






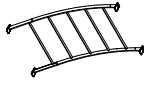



1: 40

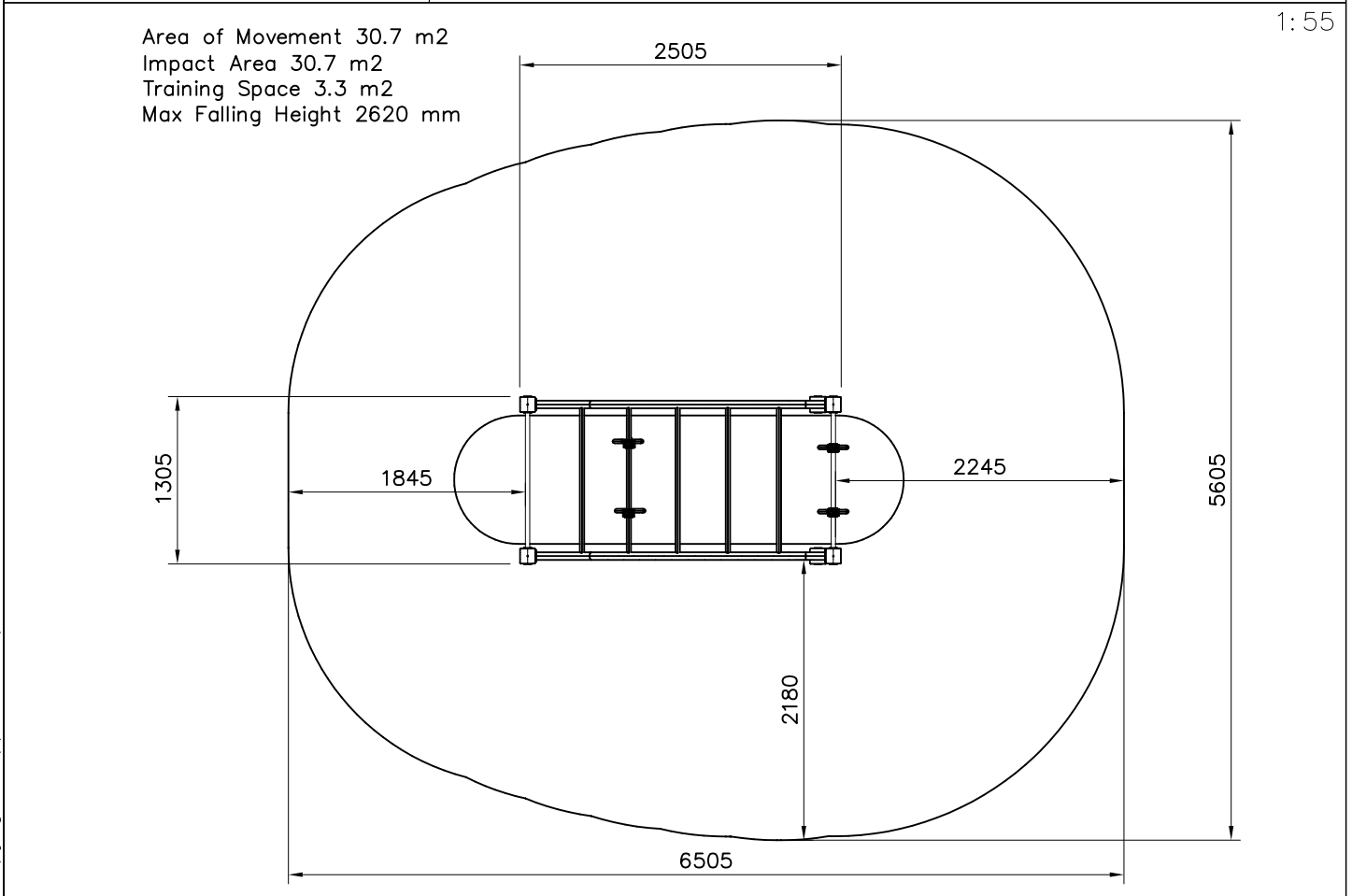
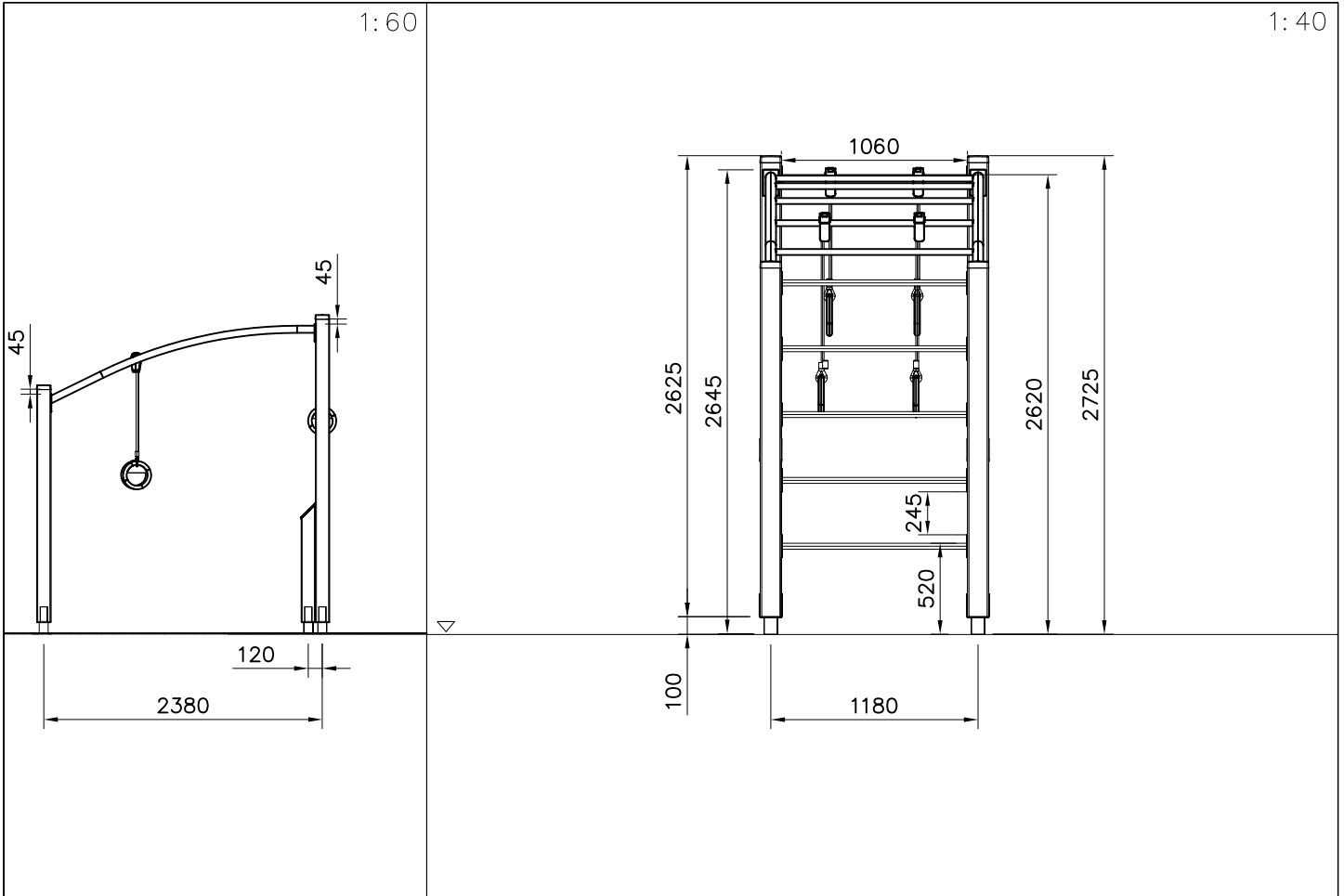




①	706026	PCS	②	705039	PCS
		1			2
				Ø16x974	
③	705040	PCS	④	705037	PCS
		2			2
	Ø16x764			120x120x2590	
⑤	705335	PCS	⑥	705347	PCS
		2			2
	120x120x1000			120x120x1990	
⑦	902195	PCS	⑧	902232	PCS
		8			4
	150x50x50			M10x55	
⑨	902233	PCS	⑩	706087	PCS
		4			1
	M10x30				
⑪	980100	PCS	⑫	905103	PCS
		2			6
	Ø5x60			PT-28/32-H	
⑬	905104	PCS	⑭	905761	PCS
		24			6
	M10			120x120x700	
⑮	905830	PCS	⑯	905838	PCS
		4			6
	123x123x40			L=1060	



<p>①7 906006 PCS</p>  <p>8</p> <p>Ø64/34,5x59</p>	<p>①8 906583 PCS</p>  <p>2</p> <p>126x181x14x3</p>	<p>①9 909246 PCS</p>  <p>6</p> <p>M12x140</p>	<p>②0 980114 PCS</p>  <p>16</p> <p>Ø4x20</p>	<p>②1 900240 PCS</p>  <p>16</p> <p>Ø8x70</p>	<p>②2 980104 PCS</p>  <p>4</p> <p>Ø5x90</p>
<p>②3 980123 PCS</p>  <p>72</p> <p>Ø7x60</p>	<p>②4 980154 PCS</p>  <p>6</p> <p>Ø24/13</p>	<p>②5 980161 PCS</p>  <p>8</p> <p>M10</p>	<p>②6 905800 PCS</p>  <p>1</p> <p>2260x600x1270</p>	<p>②7 909256 PCS</p>  <p>72</p> <p>Ø16/8.4</p>	<p>②8 706263 PCS</p>  <p>1</p>
					<p>②9 702339 PCS</p>  <p>1</p> <p>118x78</p>

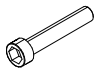
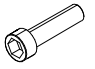
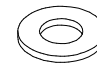

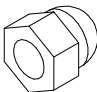
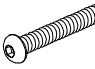
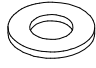
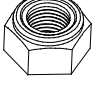
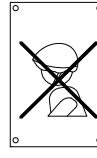


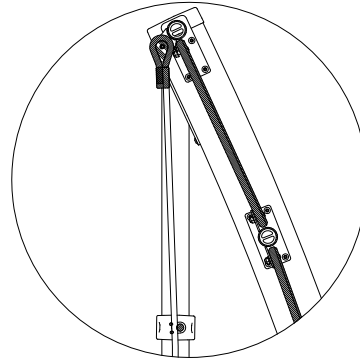


PARTS DET 5,7
 PARTS DET 52
 906071
 PARTS DET 49
 PARTS DET 17
 705050
 905830
 PARTS DET 9
 3
 PARTS DET 51
 904064
 BASE DET 37-39 OR 43,44
 BASE DET 45-47 OR 44,48
 906009
 BASE DET 1-4 OR 7-9

① 706027	PCS	② 705041	PCS
	1		5
		19x451x1240	
③ 705044	PCS	④ 705050	PCS
	1		2
		120x120	
⑤ 705059	PCS	⑥ 980114	PCS
	1		8
WALL CLIMBER DEEP		Ø4x20	
⑦ 905083	PCS	⑧ 905112	PCS
	8		8
Ø32		Ø22	
⑨ 905761	PCS	⑩ 909519	PCS
	2		3
120x120x700		50x380x380	
⑪ 904064	PCS	⑫ 906021	PCS
	2		4
Ø60x3456		Ø42,4x1252	
		Ø42,4x1252	
		M10x25	
⑬ 906071	PCS	⑭ 909639	PCS
	1		9
		M10x25	
⑮ 905830	PCS	⑯ 909097	PCS
	2		3
123x123x40		M8x60	
		M10	
⑰ 905104	PCS	⑱ 902273	PCS
	8		24
		Ø5x90	
⑲ 980104	PCS		
	2		
Ø5x90			
⑳ 909267	PCS	㉑ 980123	PCS
	1		64
M8x70		Ø7x60	
		M8	
㉒ 980150	PCS	㉓ 980151	PCS
	4		8
		Ø16/8.4	
		22	
㉔ 906009	PCS	㉕ 902195	PCS
	1		24
Ø42,4x1252		150x50x50	



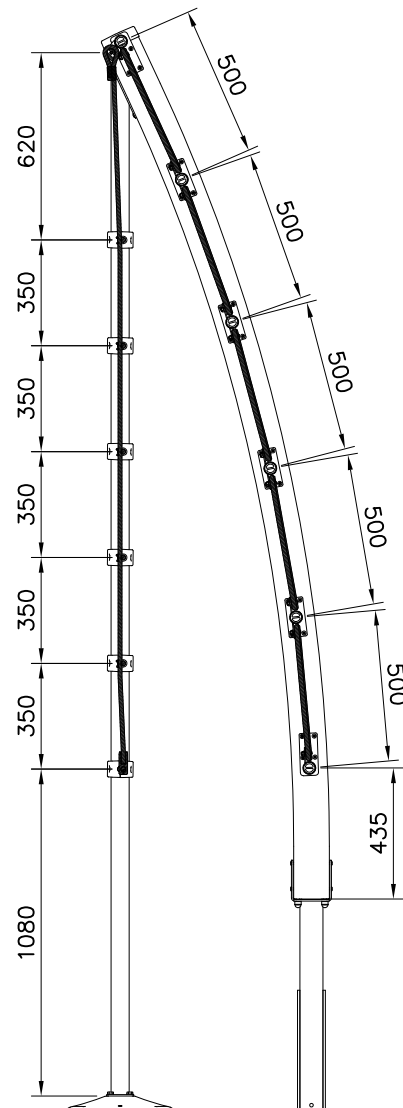
(26) 902232	PCS 12	(27) 902233	PCS 12	(28) 909256	PCS 104	(29) 909637	PCS 9	(30) 909633	PCS 40	(31) 909852	PCS 40
											
M10x55		M10x30		Ø16/8.4x1.6		M10		M8		M8x30	
(32) 909638	PCS 18	(33) 980161	PCS 24	(34) 702339	PCS 1						
											
Ø20/10.5		M10		118x78							

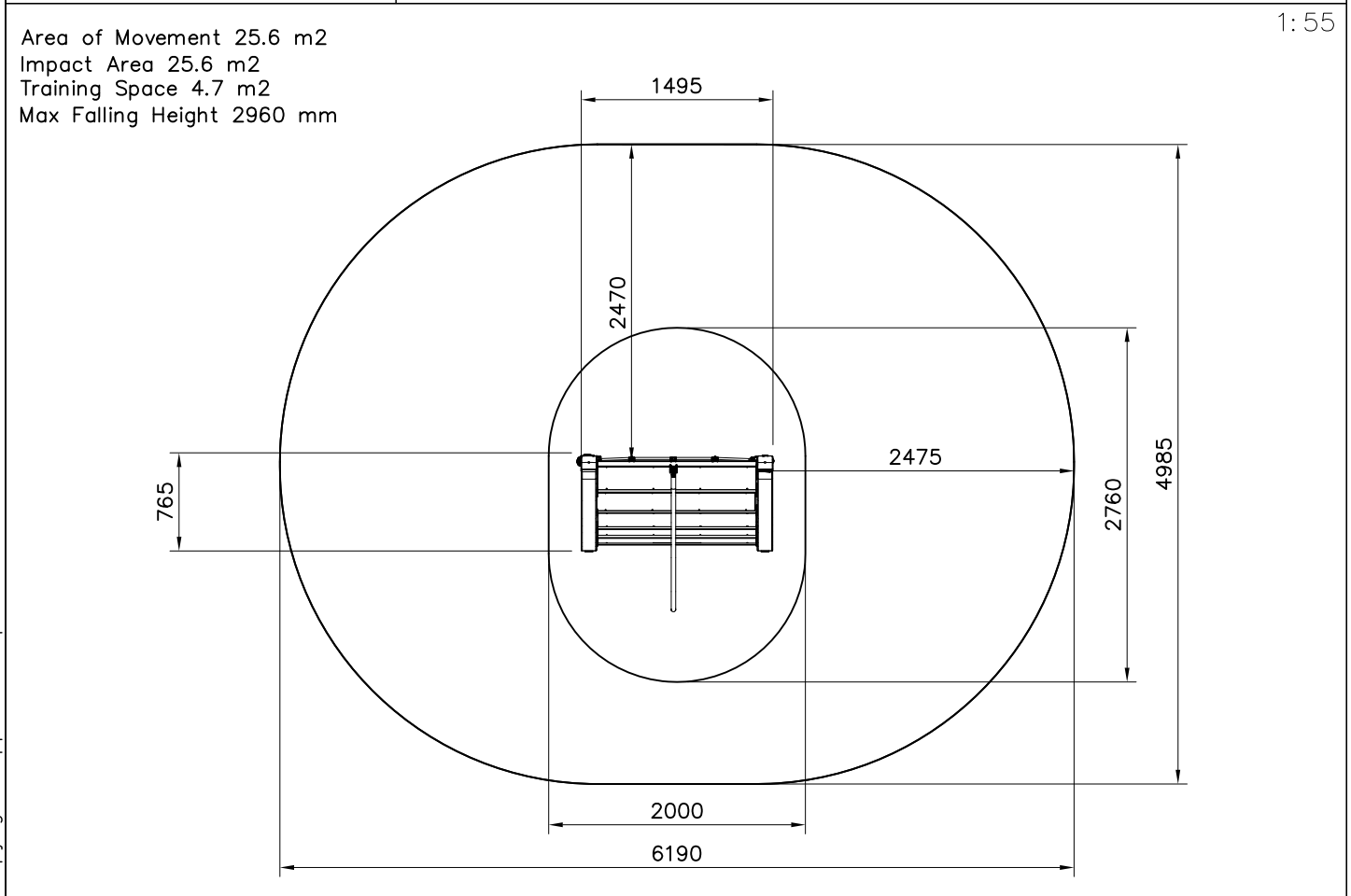
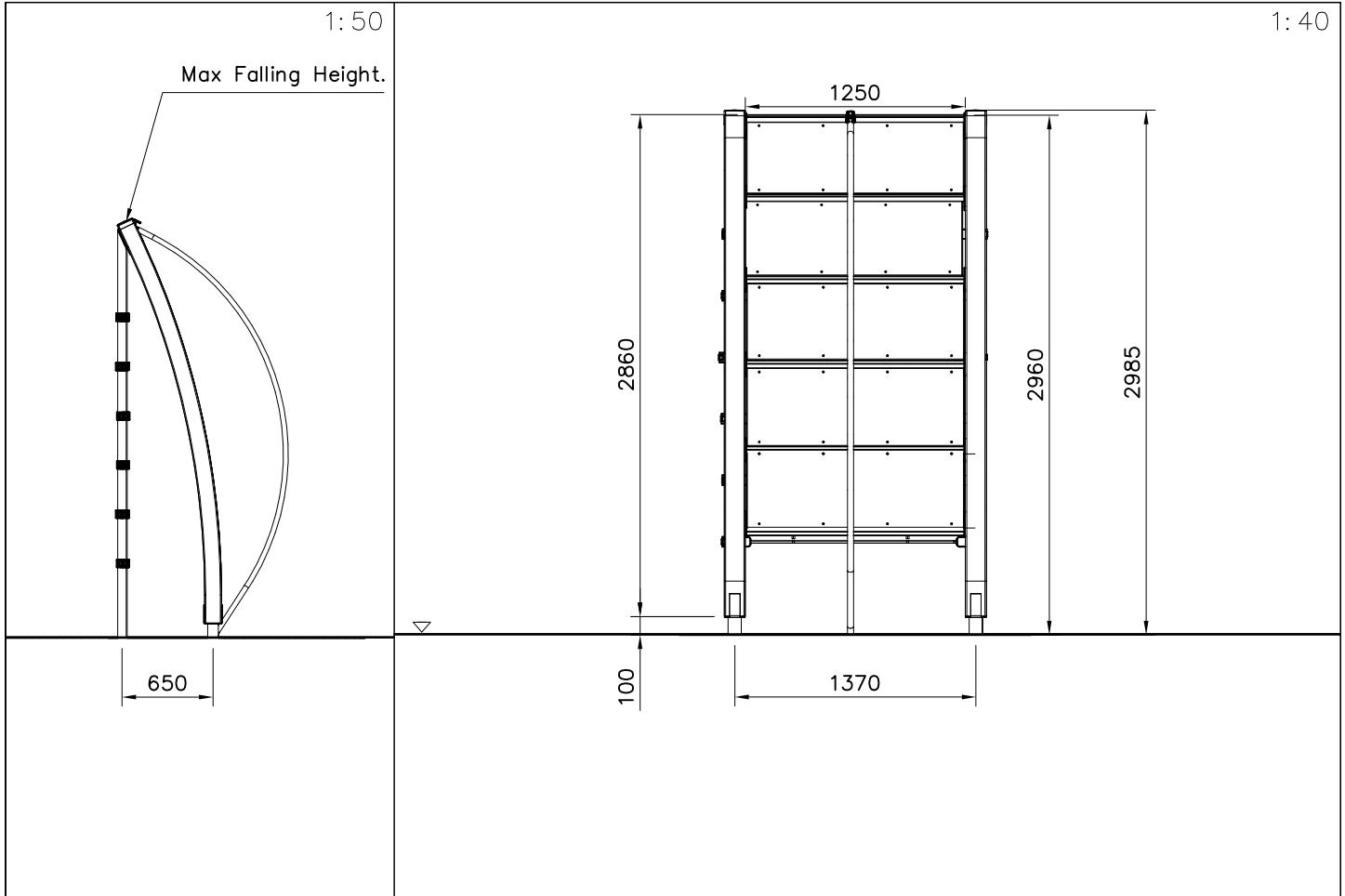


1:25

Net
Verkko

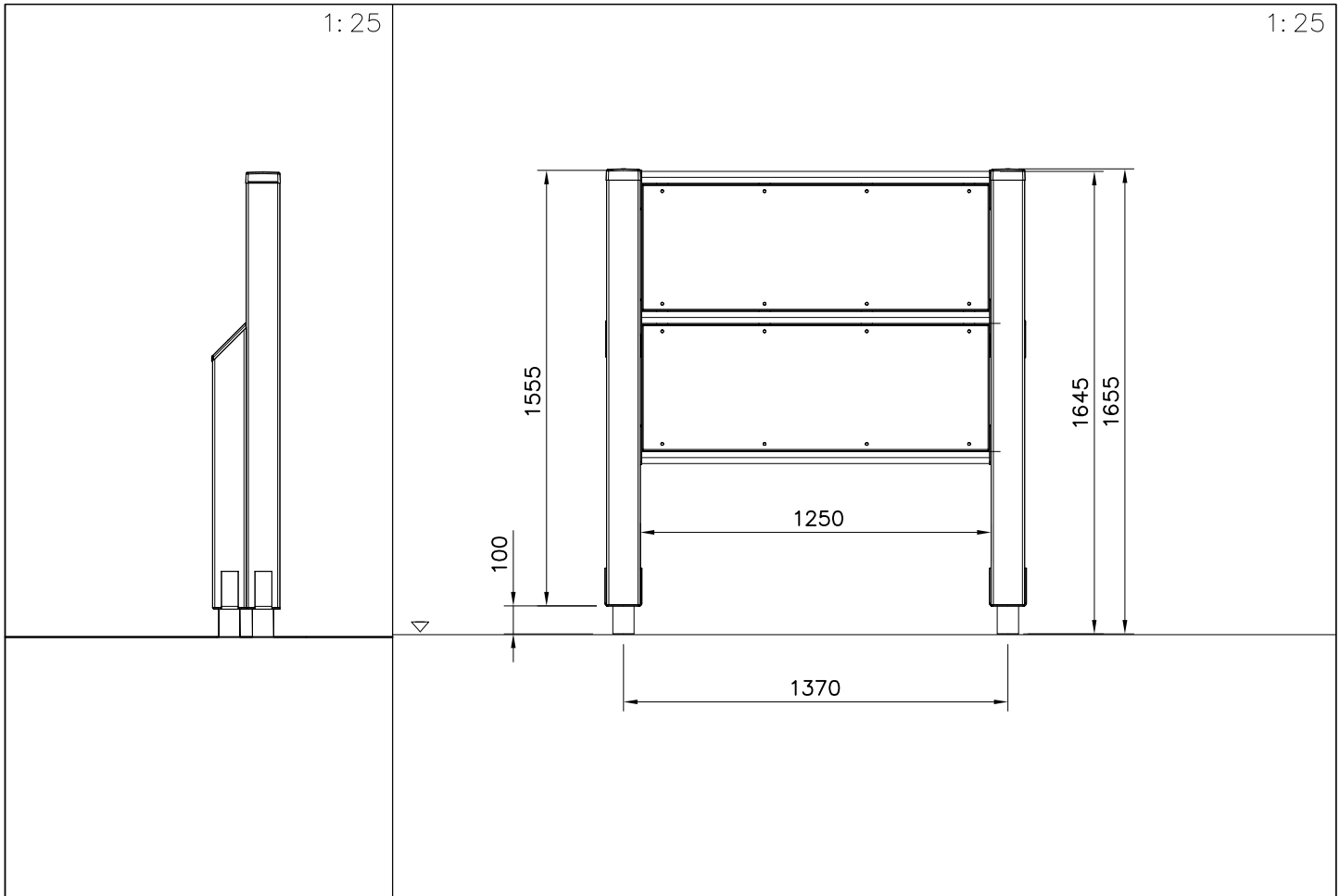
Wall
Seinä





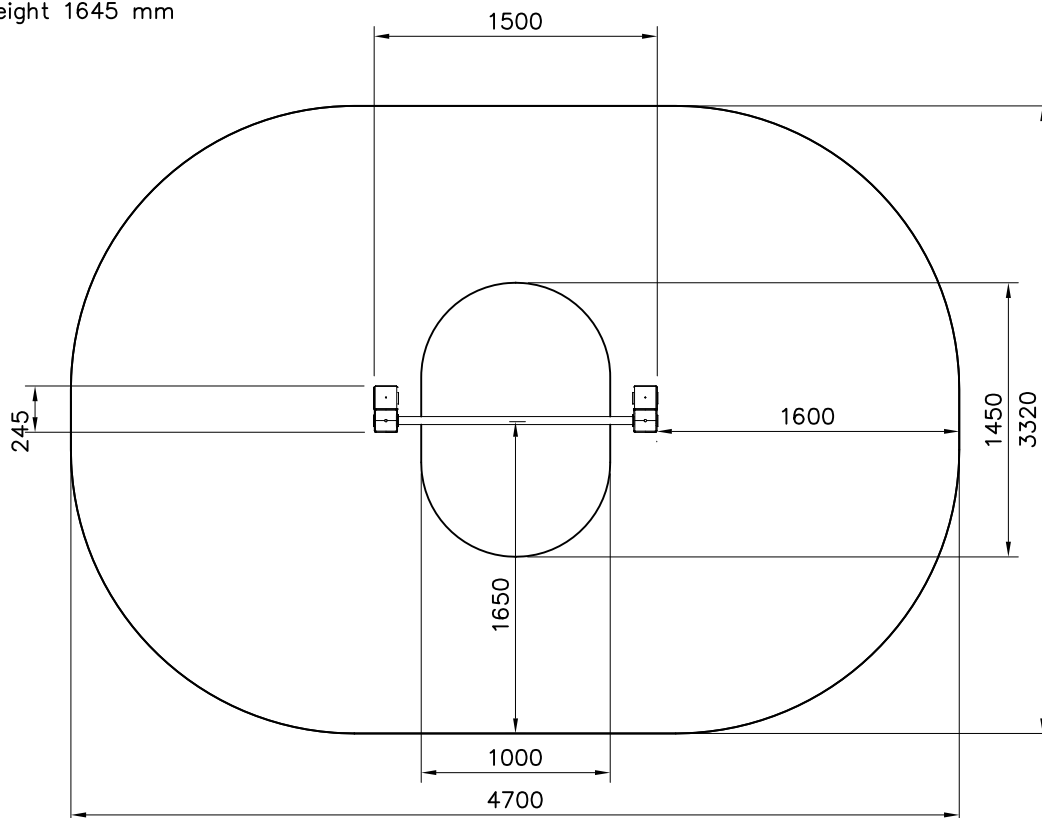


<p>PARTS DET 16</p> <p>PARTS DET 6,7</p> <p>PARTS DET 43</p> <p>PARTS DET 8</p> <p>BASE DET 10-12 OR 13-16</p>	<p>① 706028 PCS 1</p>	<p>② 705041 PCS 2</p> <p>19x451x1240</p>		
	<p>③ 705027 PCS 2</p> <p>120x120x1520</p>	<p>④ 705335 PCS 2</p> <p>120x120x1000</p>		
	<p>⑤ 980114 PCS 4</p> <p>Ø4x20</p>	<p>⑥ 905103 PCS 6</p> <p>PT-28/32-H</p>		
	<p>⑦ 905104 PCS 16</p> <p>M10</p>	<p>⑧ 905830 PCS 2</p> <p>123x123x40</p>		
	<p>⑨ 906009 PCS 2</p> <p>Ø42,4x1252</p>	<p>⑩ 906021 PCS 1</p> <p>Ø42,4x1252</p>		
	<p>⑪ 905761 PCS 4</p> <p>120x120x700</p>	<p>⑫ 906583 PCS 2</p> <p>126x181x14x3</p>	<p>⑬ 909246 PCS 6</p> <p>M12x140</p>	
	<p>⑭ 909633 PCS 16</p> <p>M8</p>	<p>⑮ 909852 PCS 16</p> <p>M8x30</p>	<p>⑯ 980100 PCS 2</p> <p>Ø5x60</p>	<p>⑰ 980104 PCS 2</p> <p>Ø5x90</p>
	<p>⑱ 980123 PCS 40</p> <p>Ø7x60</p>	<p>⑲ 980152 PCS 16</p> <p>Ø24/8.4x2</p>	<p>⑳ 980154 PCS 6</p> <p>Ø24/13</p>	<p>㉑ 909256 PCS 40</p> <p>Ø16/8.4</p>



Area of Movement 13.7 m²
Impact Area 13.7 m²
Training Space 1.2 m²
Max Falling Height 1645 mm

1:40

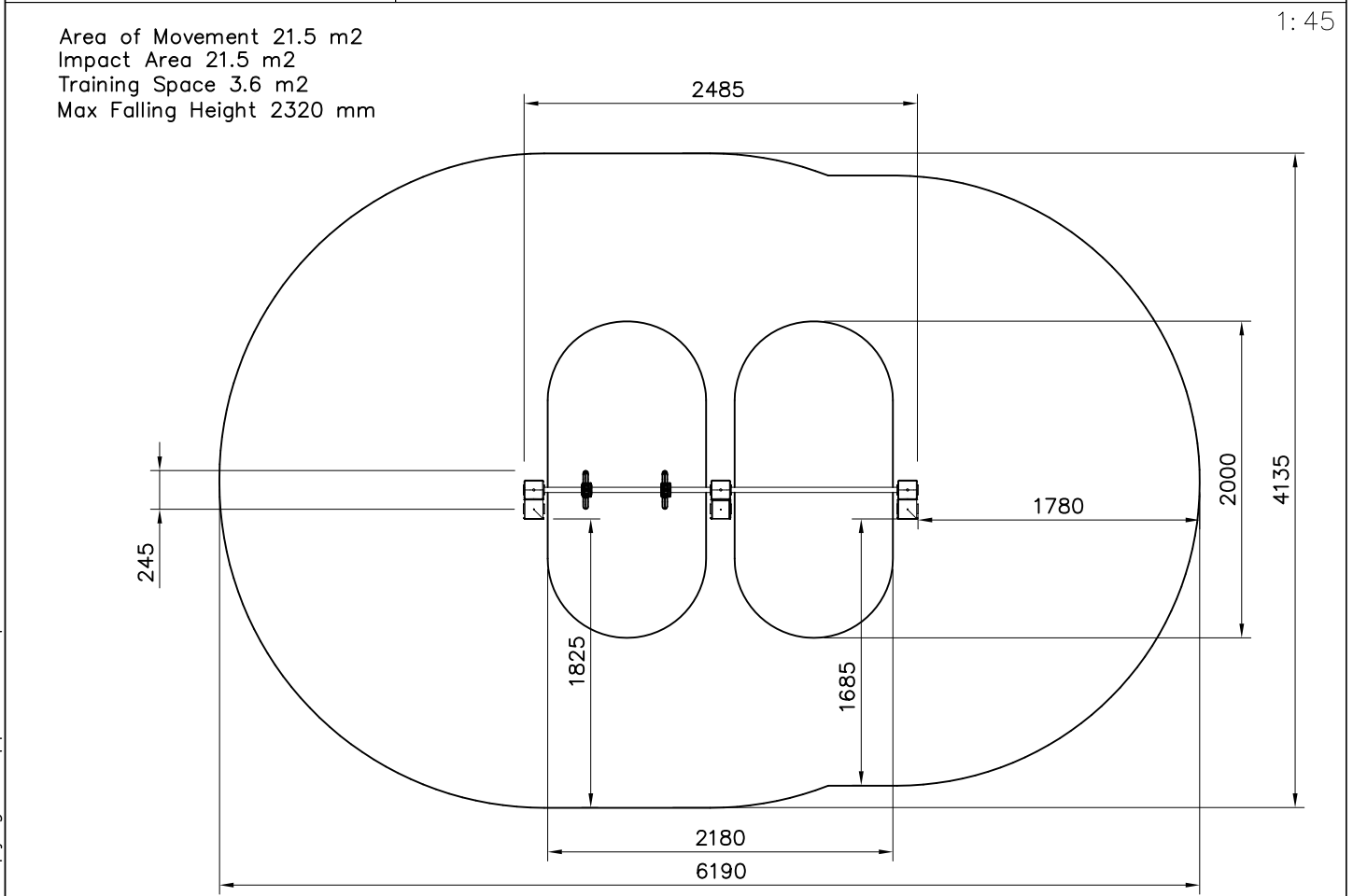
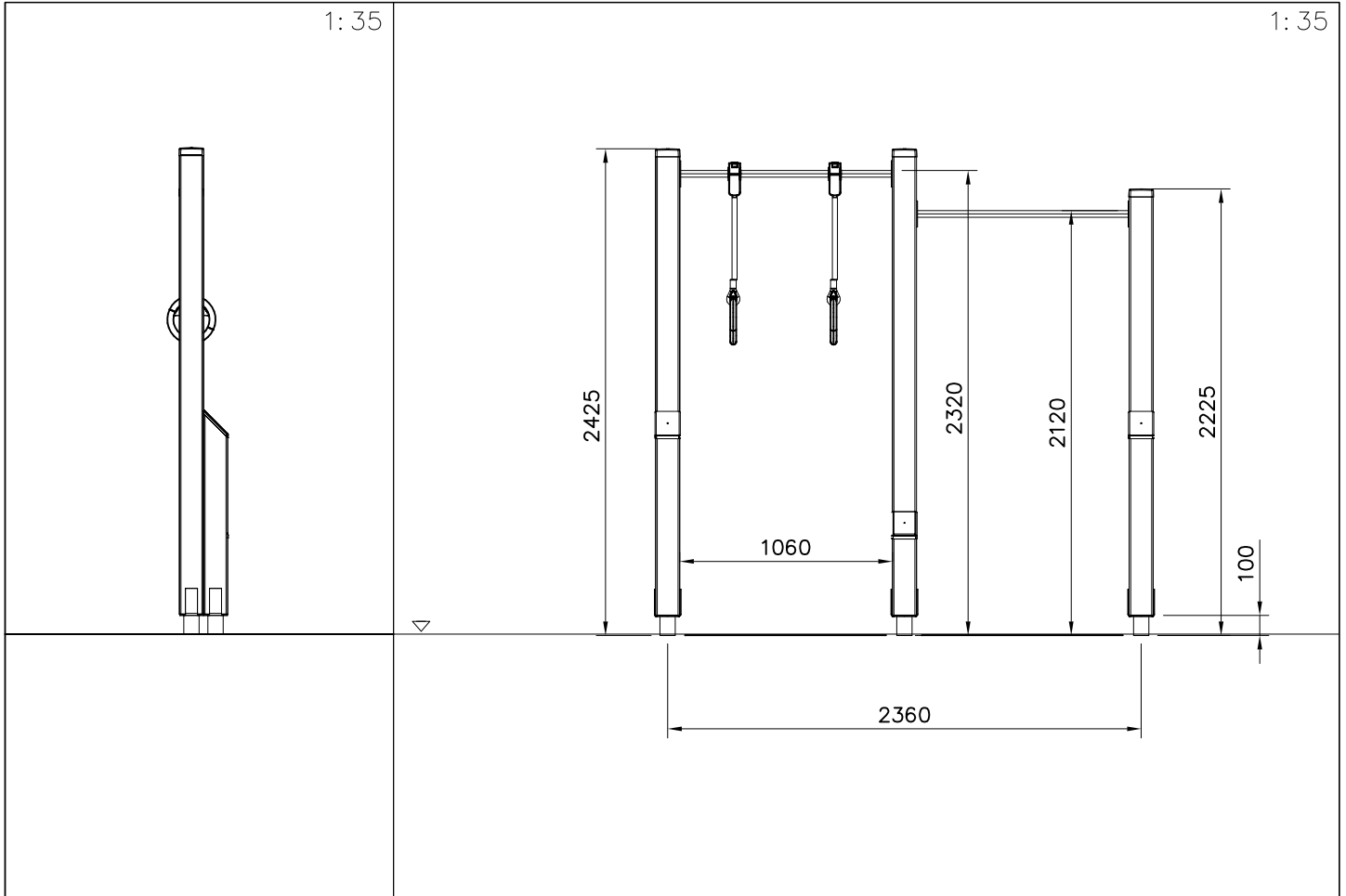


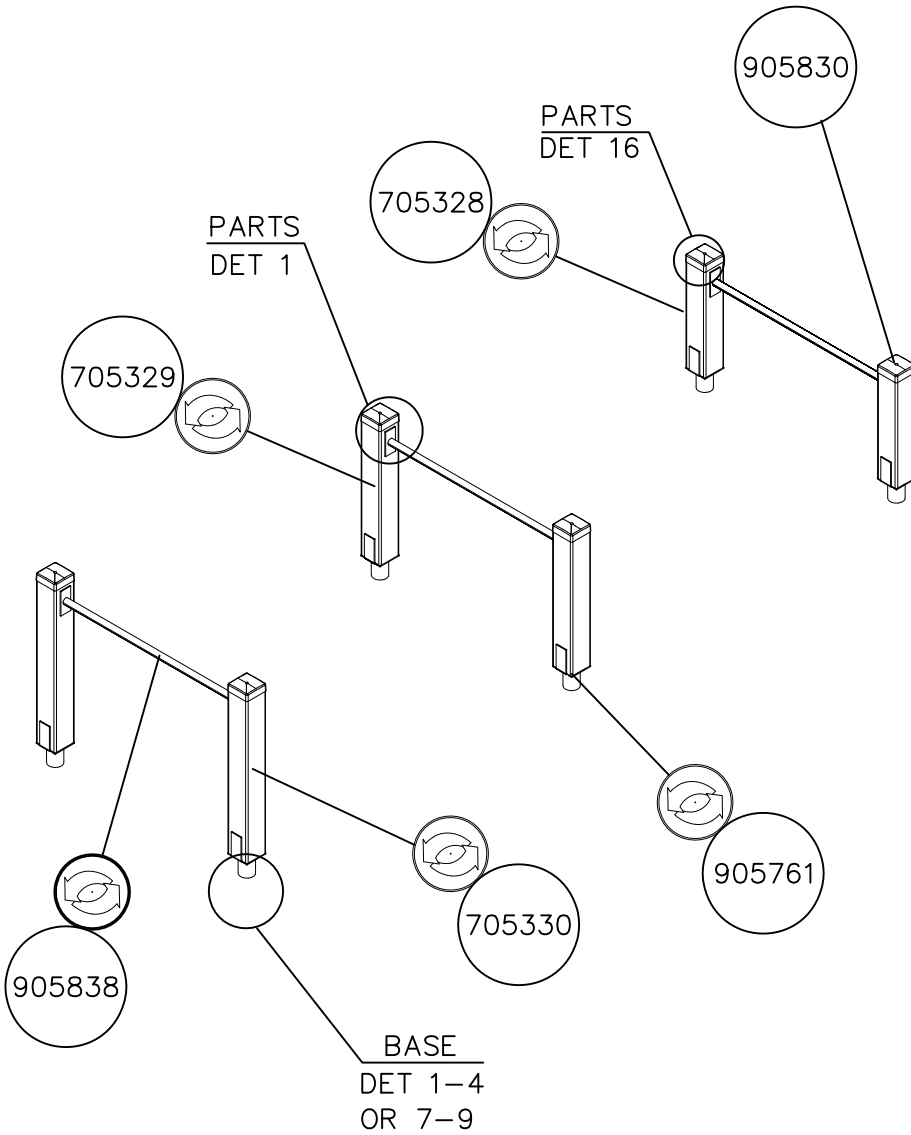


	①	706030	PCS	1	②	705231	PCS	1
	③	705335	PCS	2	④	705388	PCS	1
	⑤	705402	PCS	1	⑥	705405	PCS	1
	⑦	705406	PCS	1	⑧	902195	PCS	4
	⑨	902232	PCS	2	⑩	902233	PCS	2
	⑪	706088	PCS	1	⑫	905103	PCS	7
	⑬	905104	PCS	24	⑭	905761	PCS	6
	⑮	905830	PCS	3	⑯	905838	PCS	2
	⑰	906583	PCS	2	⑱	909246	PCS	7
	⑲	980114	PCS	8	⑳	980100	PCS	3
㉑	980104	PCS	3	㉒	980123	PCS	40	
㉓	980154	PCS	7	㉔	980161	PCS	4	
㉕	705040	PCS	2	㉖	906006	PCS	4	
㉗	909256	PCS	40					

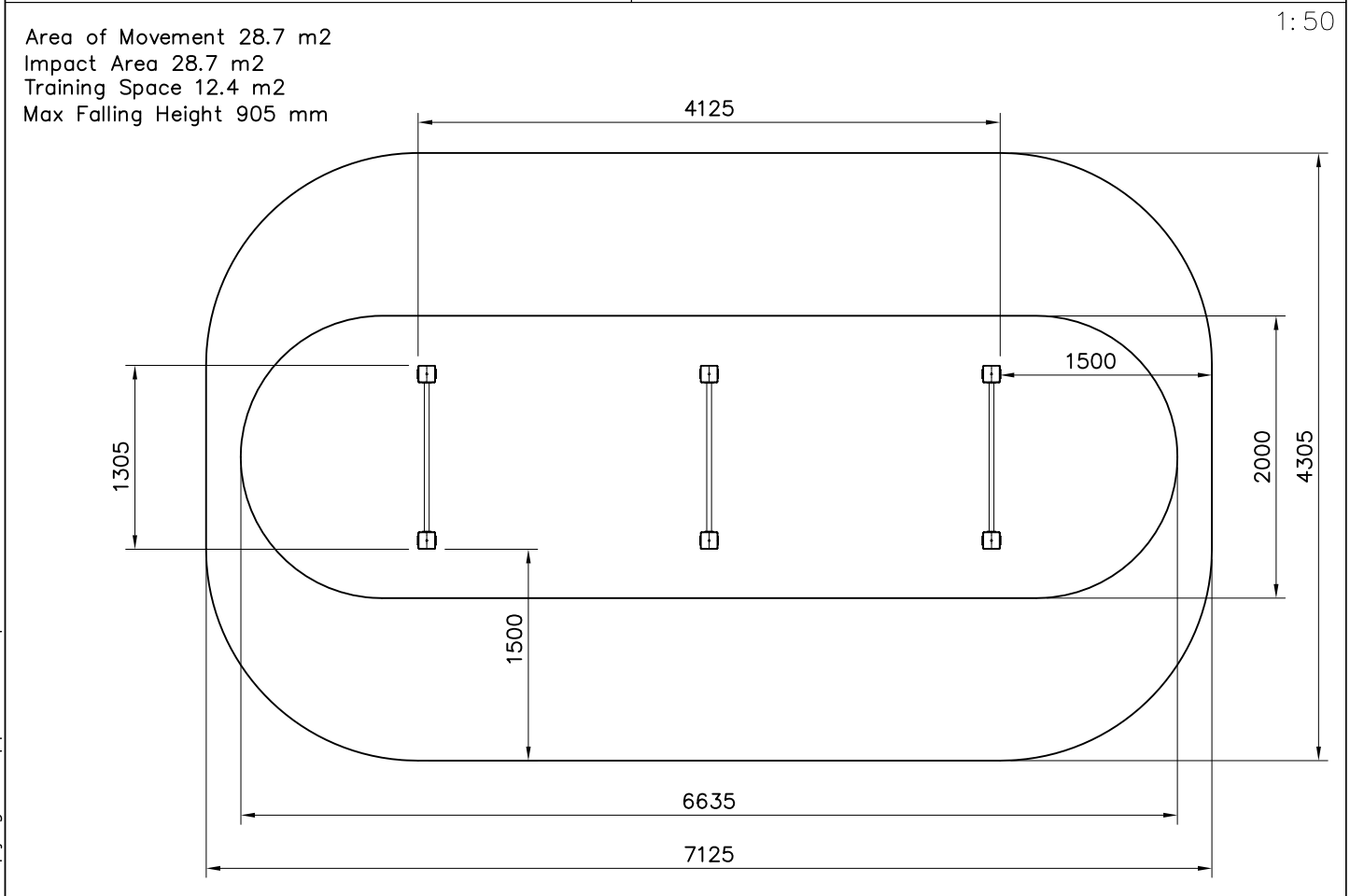
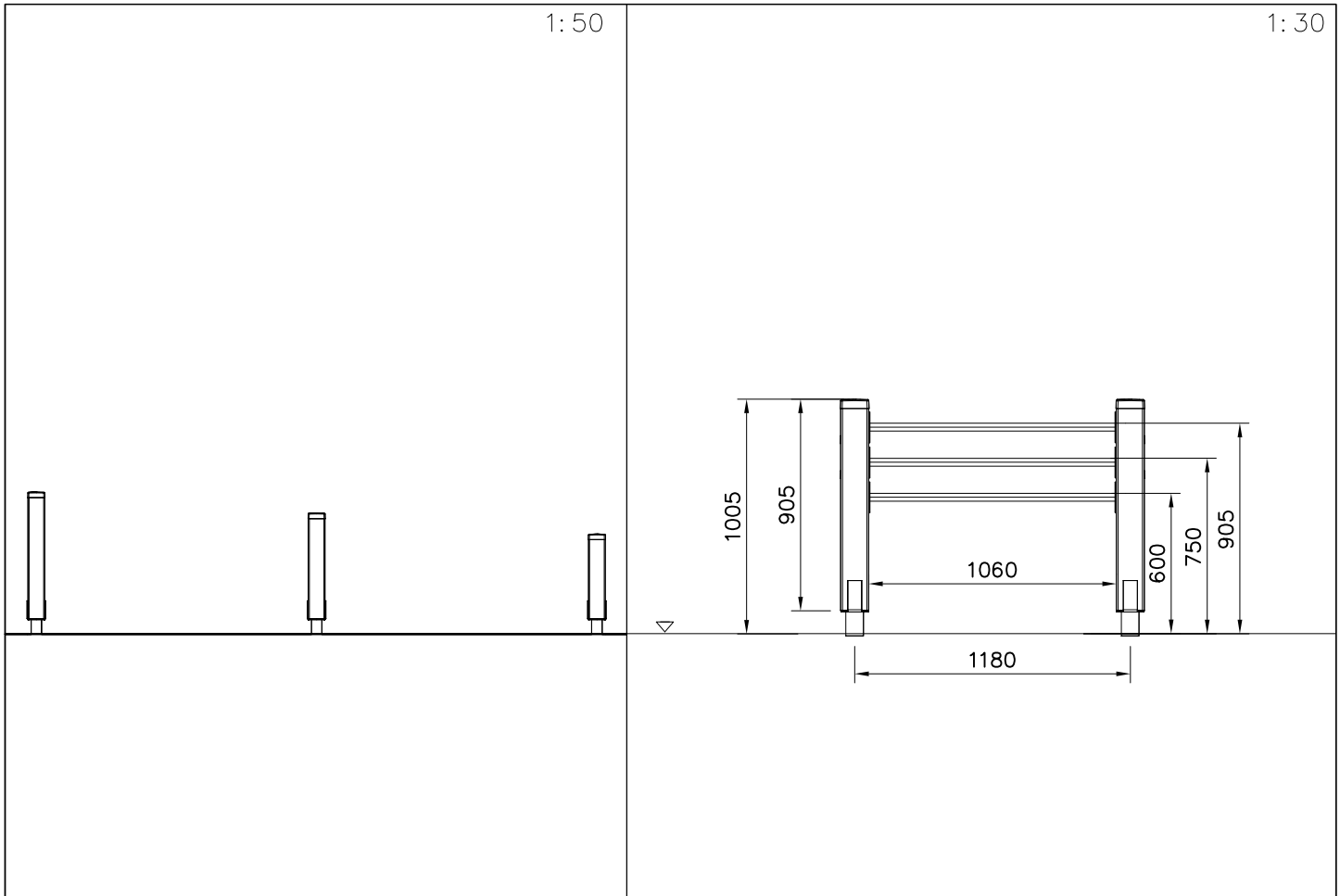
①	706030	PCS	1	②	705231	PCS	1
③	705335	PCS	2	④	705388	PCS	1
⑤	705402	PCS	1	⑥	705405	PCS	1
⑦	705406	PCS	1	⑧	902195	PCS	4
⑨	902232	PCS	2	⑩	902233	PCS	2
⑪	706088	PCS	1	⑫	905103	PCS	7
⑬	905104	PCS	24	⑭	905761	PCS	6
⑮	905830	PCS	3	⑯	905838	PCS	2
⑰	906583	PCS	2	⑱	909246	PCS	7
⑲	980114	PCS	8	⑳	980100	PCS	3
㉑	980104	PCS	3	㉒	980123	PCS	40
㉓	980154	PCS	7	㉔	980161	PCS	4
㉕	705040	PCS	2	㉖	906006	PCS	4
㉗	909256	PCS	40				

①	706030	PCS	1	②	705231	PCS	1
③	705335	PCS	2	④	705388	PCS	1
⑤	705402	PCS	1	⑥	705405	PCS	1
⑦	705406	PCS	1	⑧	902195	PCS	4
⑨	902232	PCS	2	⑩	902233	PCS	2
⑪	706088	PCS	1	⑫	905103	PCS	7
⑬	905104	PCS	24	⑭	905761	PCS	6
⑮	905830	PCS	3	⑯	905838	PCS	2
⑰	906583	PCS	2	⑱	909246	PCS	7
⑲	980114	PCS	8	⑳	980100	PCS	3
㉑	980104	PCS	3	㉒	980123	PCS	40
㉓	980154	PCS	7	㉔	980161	PCS	4
㉕	705040	PCS	2	㉖	906006	PCS	4
㉗	909256	PCS	40				





①	706031	PCS	②	705328	PCS
		1			2
				120x120x570	
③	705329	PCS	④	705330	PCS
		2			2
	120x120x720			120x120x870	
⑤	980114	PCS	⑥	905838	PCS
		4			3
	Ø4x20			L=1060	
⑦	905104	PCS	⑧	905761	PCS
		24			6
	M10			120x120x700	
⑨	905830	PCS	⑩	980104	PCS
		6			6
	123x123x40			Ø5x90	
⑪	980123	PCS	⑫	909256	PCS
		48			48
	Ø7x60			Ø16/8.4	
		PCS			PCS
		PCS			PCS





①	706036	PCS	②	980114	PCS
		1			8
				Ø4x20	
③	905104	PCS	④	905830	PCS
		16			4
	M10			123x123x40	
⑤	980123	PCS	⑥	905761	PCS
		48			4
	Ø7x60			120x120x700	
⑦	902273	PCS	⑧	705328	PCS
		32			4
				120x120x570	
⑨	705537	PCS	⑩	902195	PCS
		1			32
				150x50x50	
⑪	906727	PCS	⑫	906725	PCS
		2			2
	Ø60x1307			Ø60x2080	
⑬	980104	PCS	⑭	980161	PCS
		4			32
	Ø5x90			M10	
⑮	902232	PCS	⑯	902233	PCS
		16			16
	M10x55			M10x30	
⑰	909256	PCS	⑱	702339	PCS
		48			1
	Ø16/8.4			118x78	

BASE
DET 1-4
OR 7-9

PARTS
DET 42

PARTS
DET 1

PARTS
DET 16

906725

905830

906727

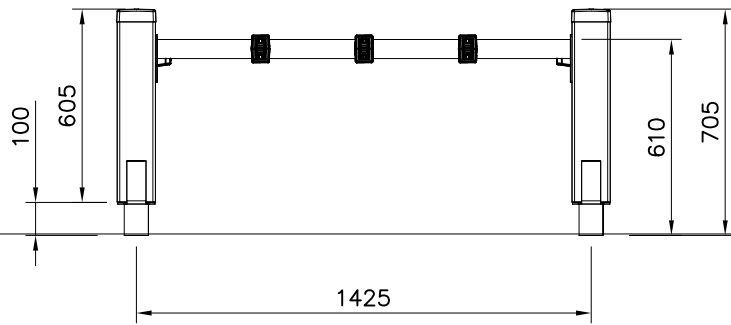
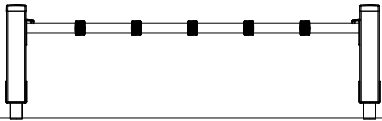
905761

705328



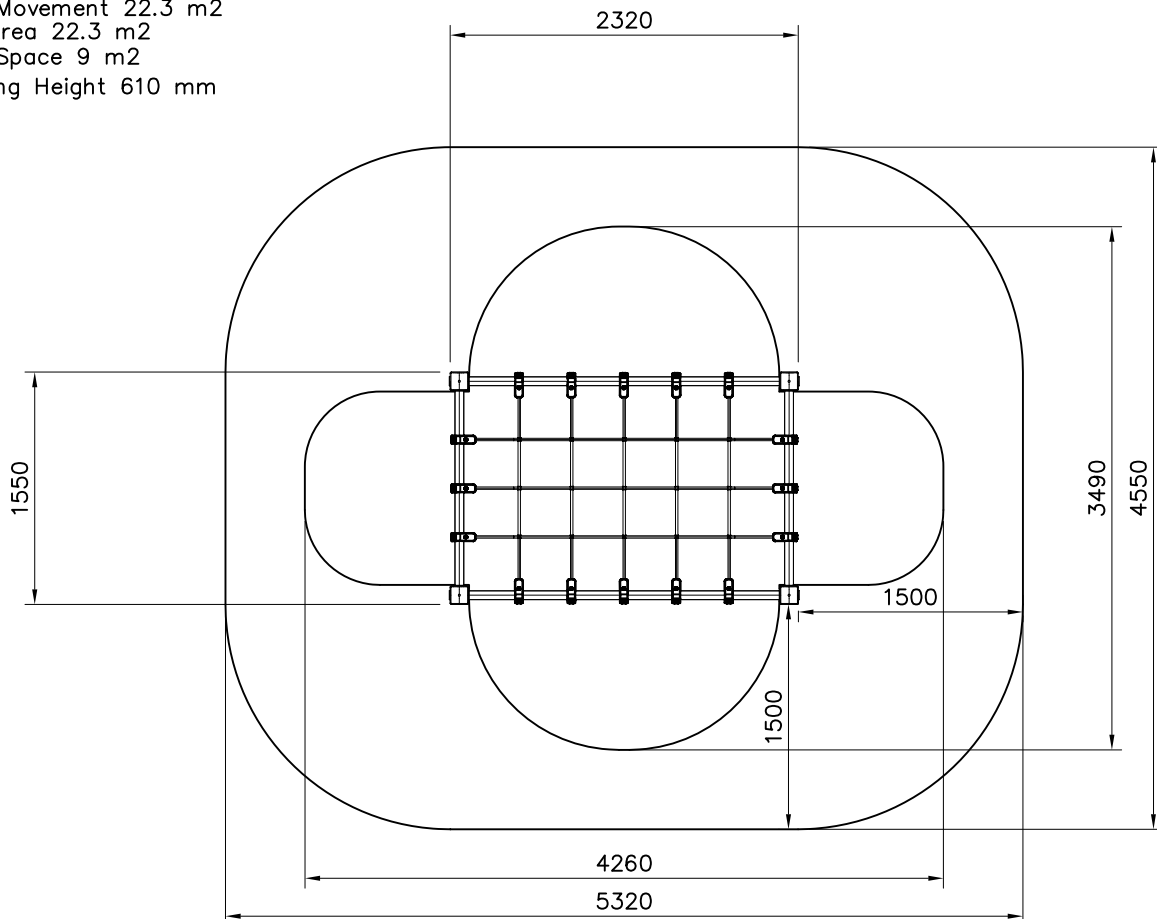
1: 47

1: 24



Area of Movement 22.3 m²
Impact Area 22.3 m²
Training Space 9 m²
Max Falling Height 610 mm

1: 50



												
<p>$h < 600$</p> <p>Without movement and therefore without Impact Area</p>	<p>Totally hard surfaces.</p> <p>Note. Lappset does <u>not recommend</u> totally hard surfaces at all.</p>	<p>E.g. concrete or asphalt</p> 										
<p>$h < 600$</p> <p>With movement e.g. rocking</p>	<p>Materials with very limited impact attenuating properties.</p>	<p>E.g. wood</p> 										
<p>$h < 1000$</p>	<p>Materials with significant impact attenuating properties.</p>	<p>fine gravel 0–8 mm</p>  <p>grass</p>  <p>unsorted sand</p> 										
<p>$h < 3000$</p>	<p>Loose fill material</p> <p>E.g. sand/gravel 0,25...8 mm D60/D10<3,0 Woodchips 5...30 mm bark 20...80 mm</p>	 <table data-bbox="1021 1691 1332 1792"> <tr> <td>\underline{S}</td> <td>\underline{h}</td> </tr> <tr> <td>30 cm</td> <td>< 2,0 m</td> </tr> <tr> <td>40 cm</td> <td>< 3,0 m</td> </tr> </table>	\underline{S}	\underline{h}	30 cm	< 2,0 m	40 cm	< 3,0 m				
\underline{S}	\underline{h}											
30 cm	< 2,0 m											
40 cm	< 3,0 m											
	<p>Syntethic granulates</p> <table data-bbox="406 1892 758 2060"> <tr> <td>\underline{S}</td> <td>\underline{h}</td> </tr> <tr> <td>40 mm</td> <td>~> 1,2...1,3 m</td> </tr> <tr> <td>50 mm</td> <td>~> 1,5...1,7 m</td> </tr> <tr> <td>60 mm</td> <td>~> 1,8...2,0 m</td> </tr> <tr> <td>70 mm</td> <td>~> 2,1...2,5 m</td> </tr> </table> <p>Note. For accurate values, see manufacturer's instructions.</p>	\underline{S}	\underline{h}	40 mm	~> 1,2...1,3 m	50 mm	~> 1,5...1,7 m	60 mm	~> 1,8...2,0 m	70 mm	~> 2,1...2,5 m	
\underline{S}	\underline{h}											
40 mm	~> 1,2...1,3 m											
50 mm	~> 1,5...1,7 m											
60 mm	~> 1,8...2,0 m											
70 mm	~> 2,1...2,5 m											

REMOVE SAFETY SURFACE/SAND/GRAVEL
TO CHECK FOUNDATION

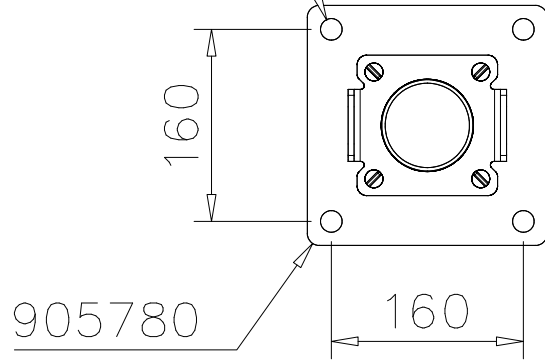


REMOVE SAFETY SURFACE/SAND/GRAVEL
TO CHECK FOUNDATION

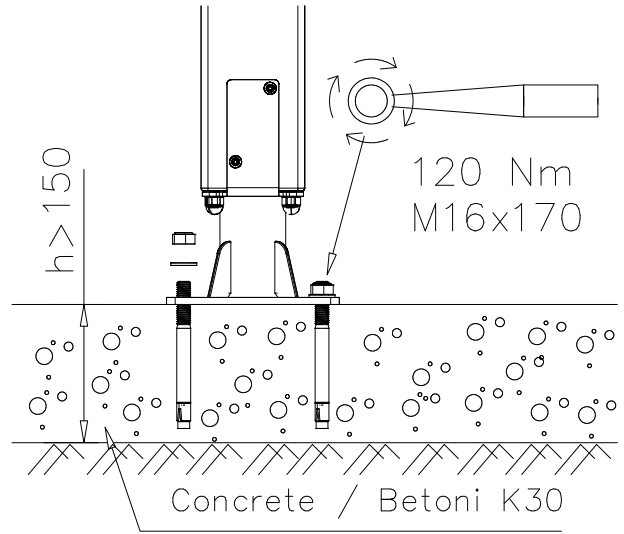


DET 1

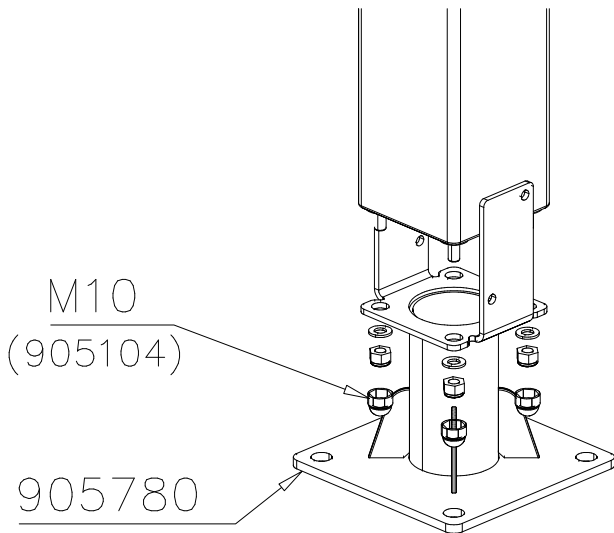
$\varnothing 16 \downarrow > 130$



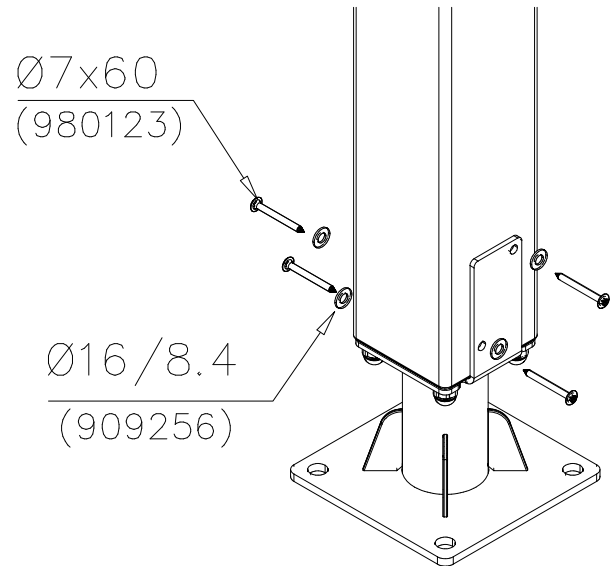
DET 2



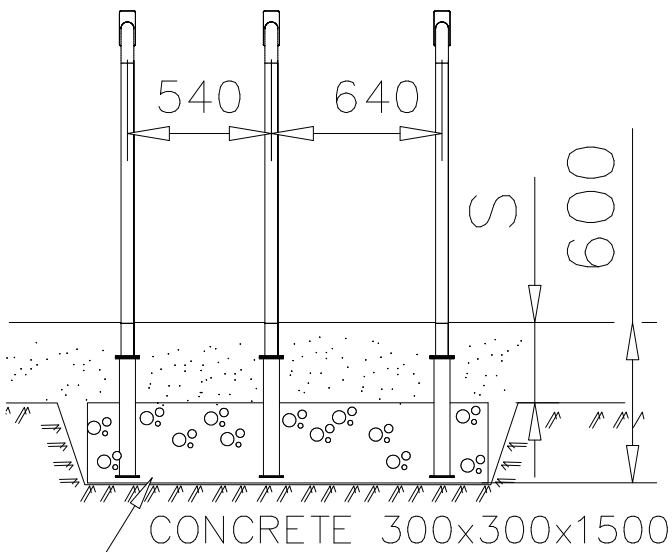
DET 3



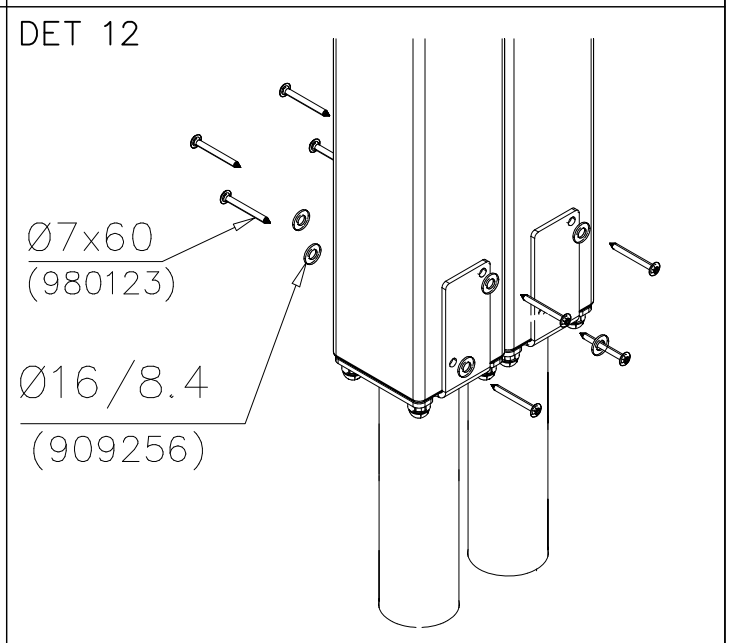
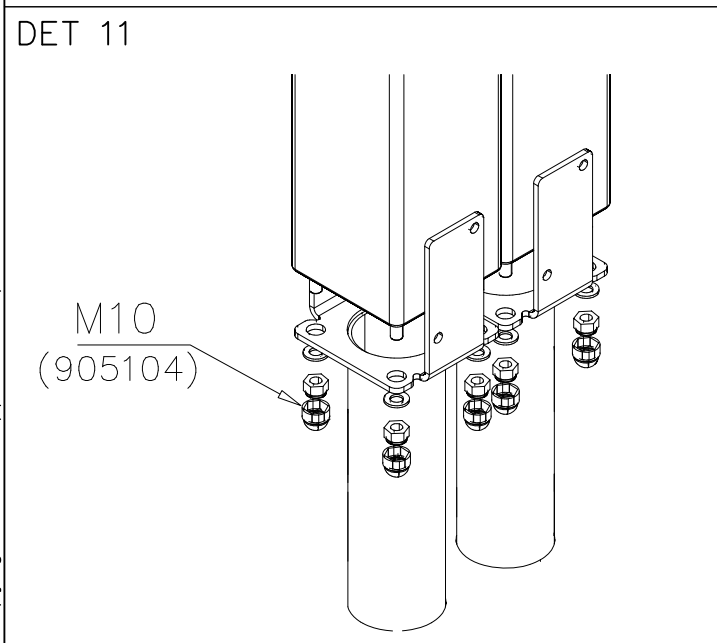
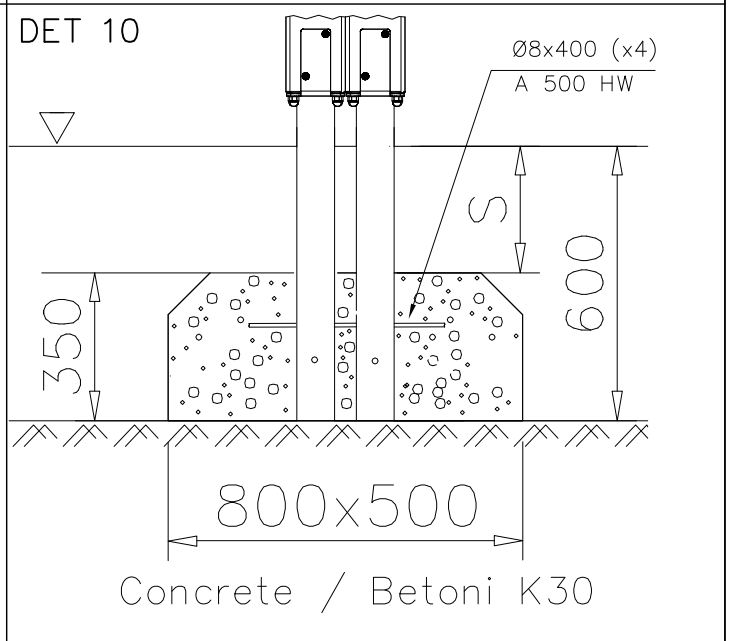
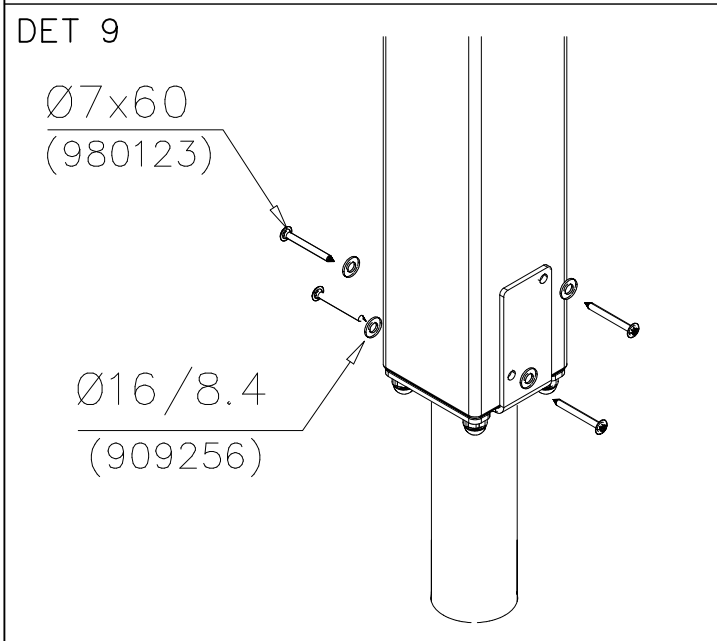
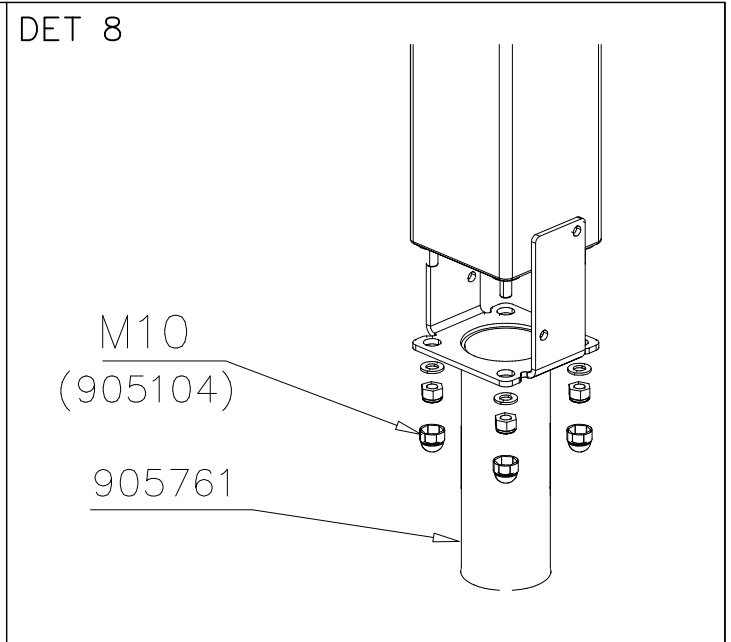
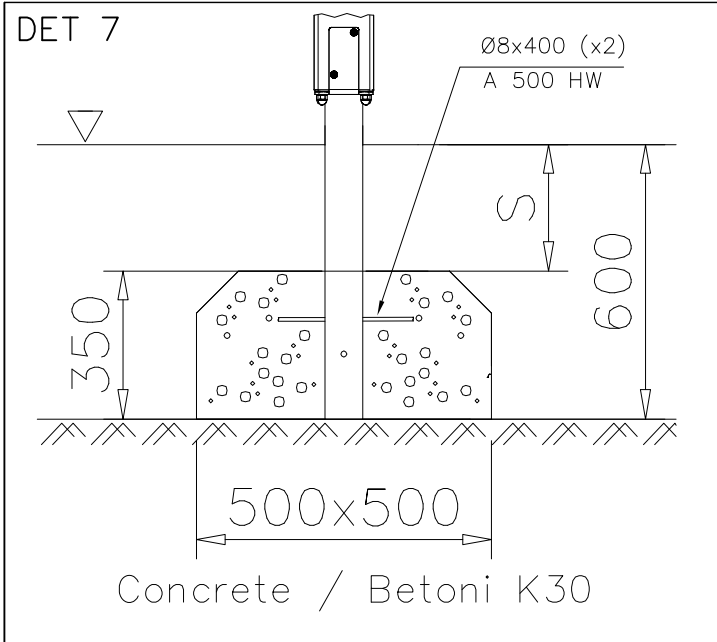
DET 4



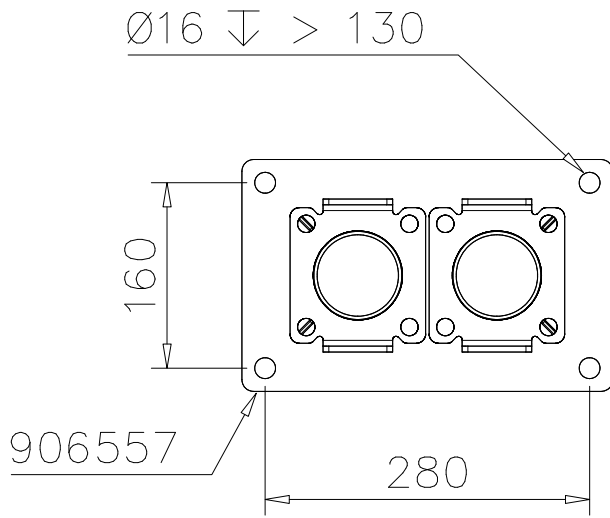
DET 5



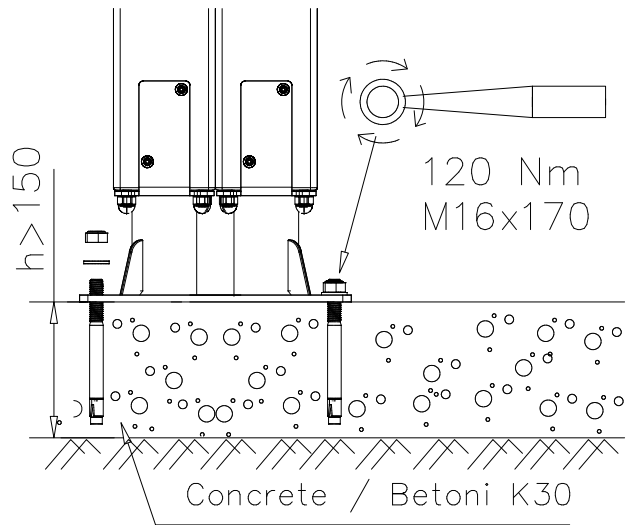
DET 6



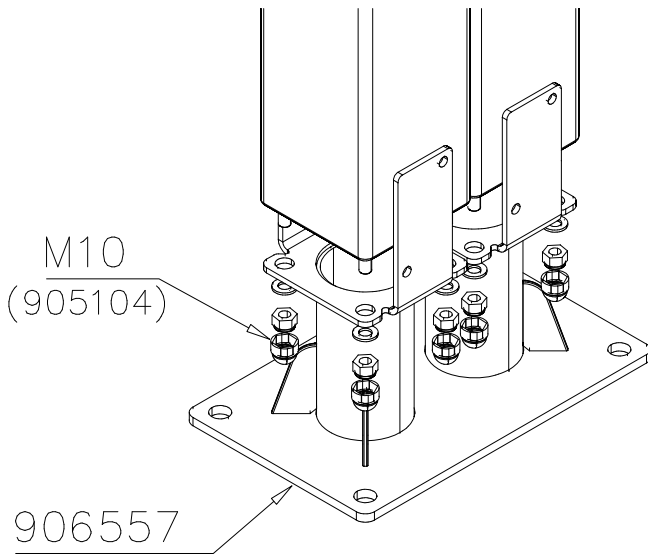
DET 13



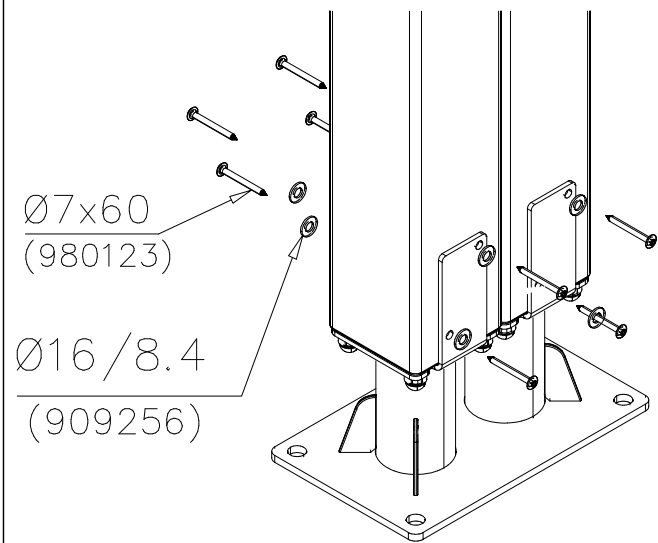
DET 14



DET 15



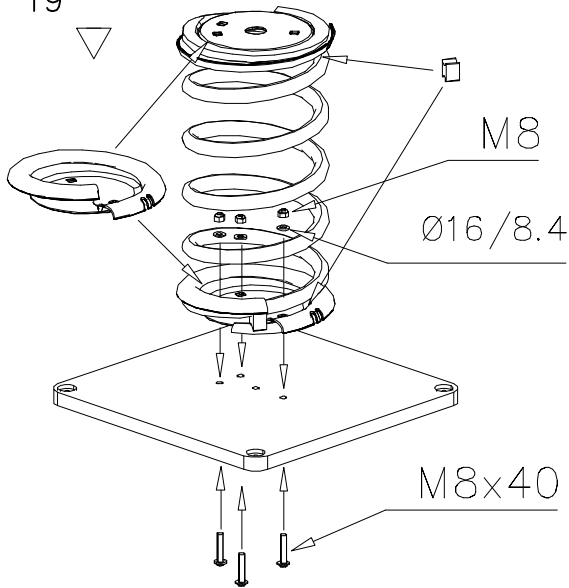
DET 16



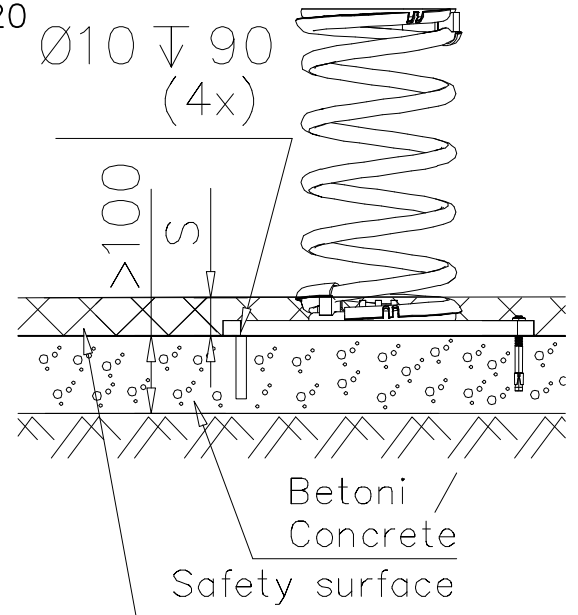
DET 17

DET 18

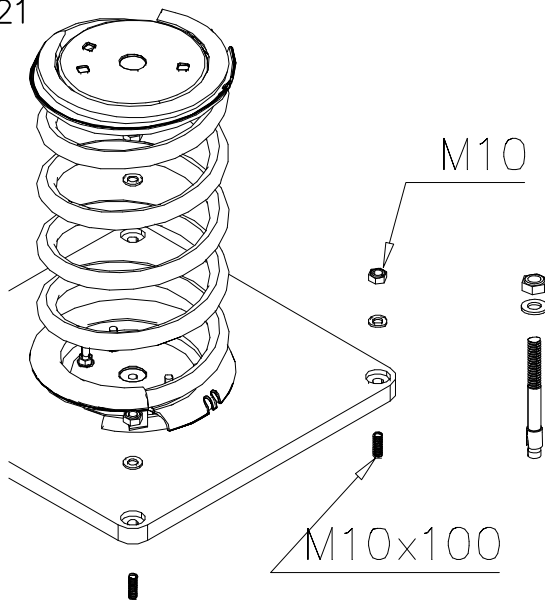
DET 19



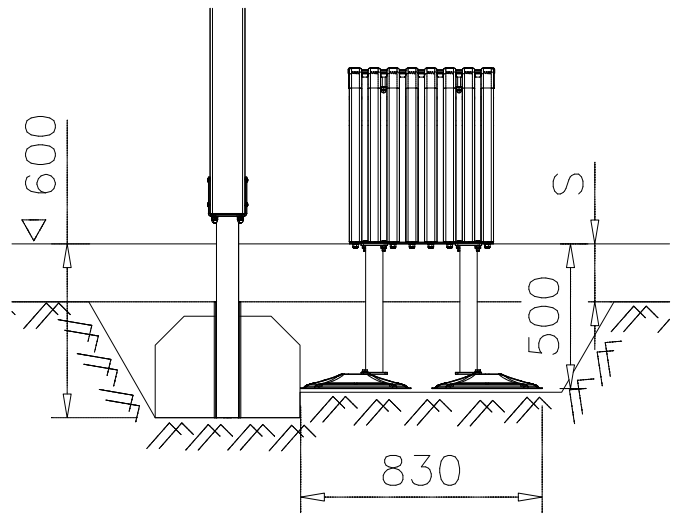
DET 20



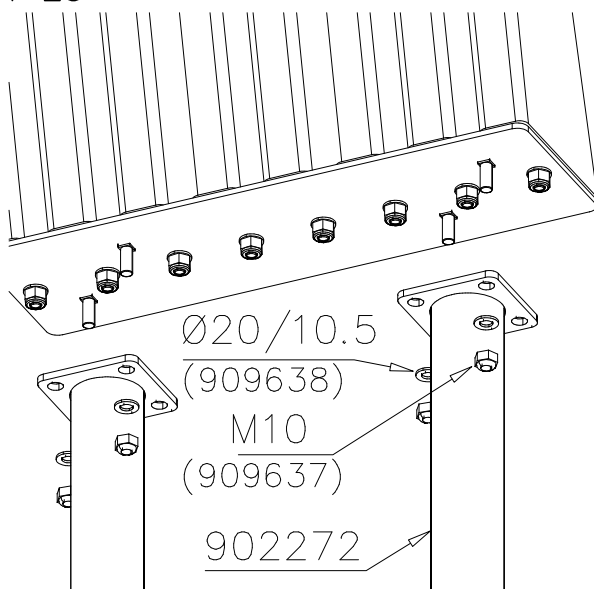
DET 21



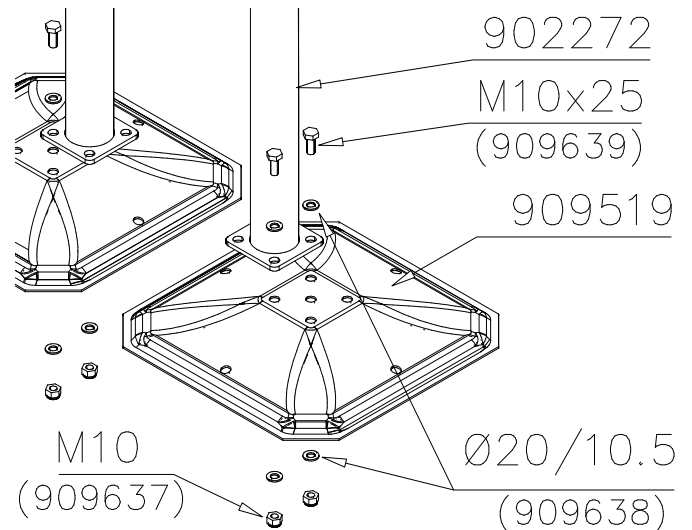
DET 22



DET 23



DET 24

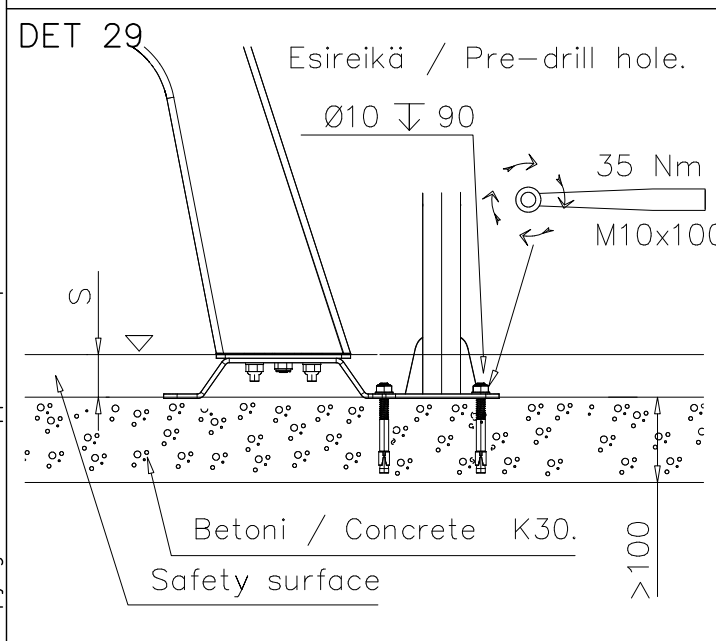
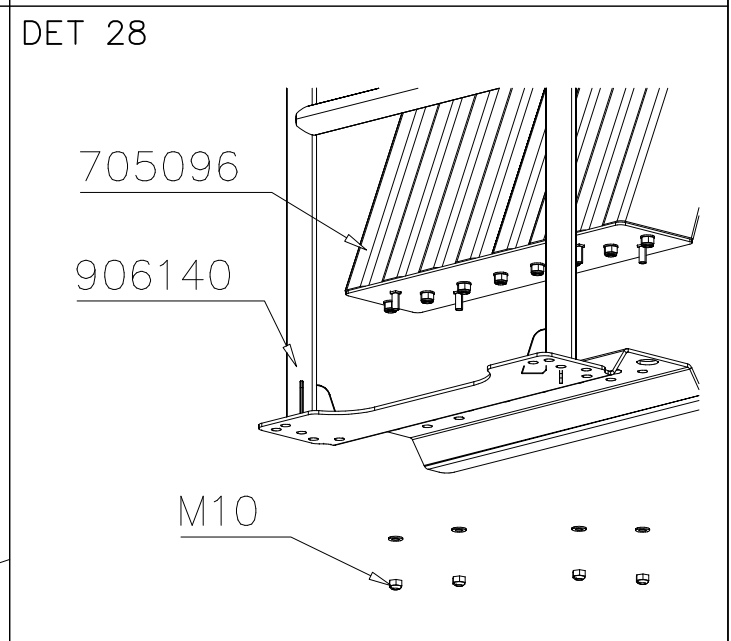
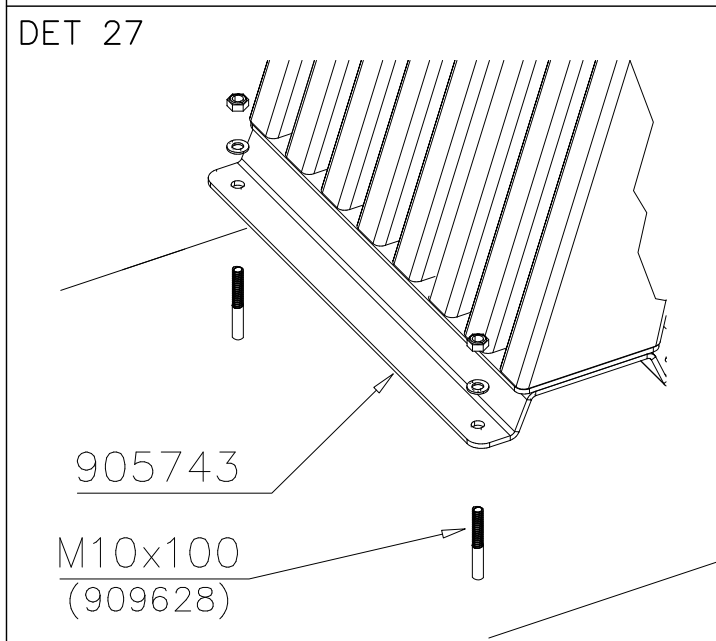
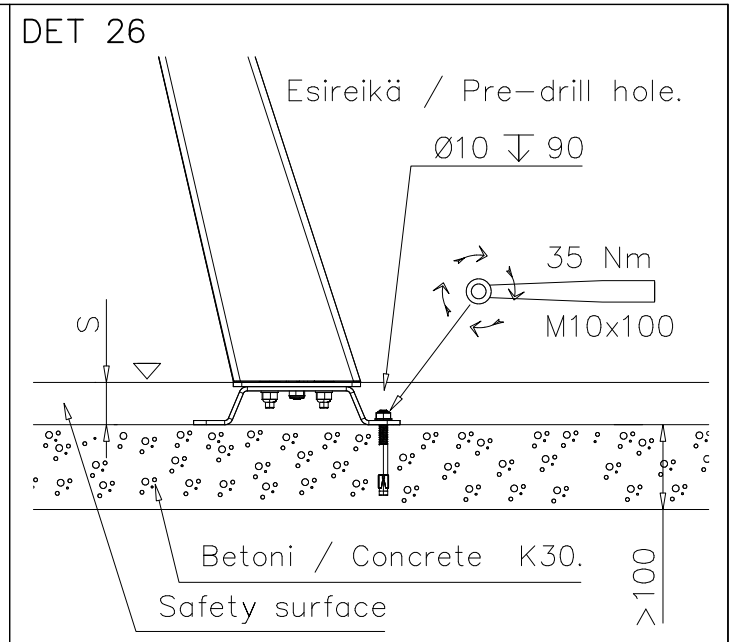
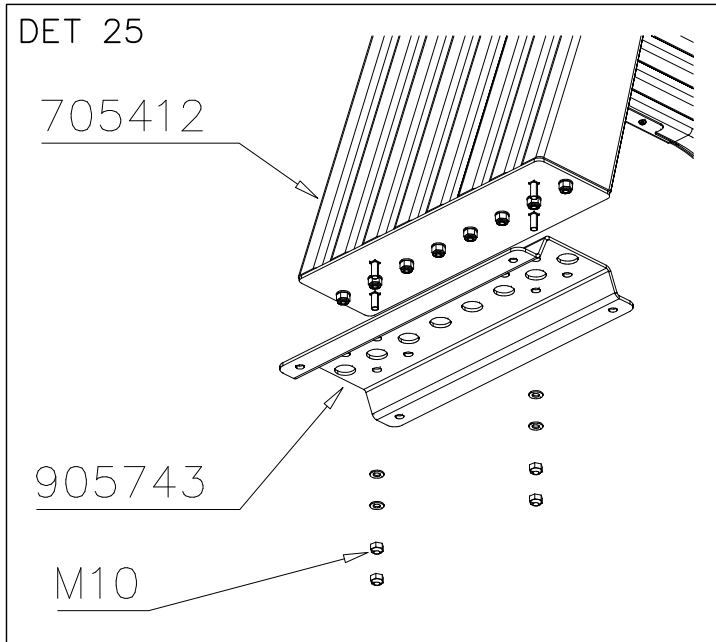


LAPPSET SPORT

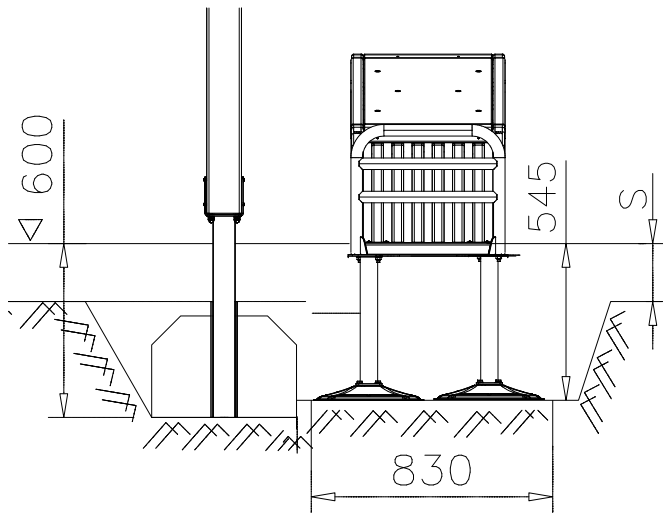
BASE

DATE: 29.4.2015

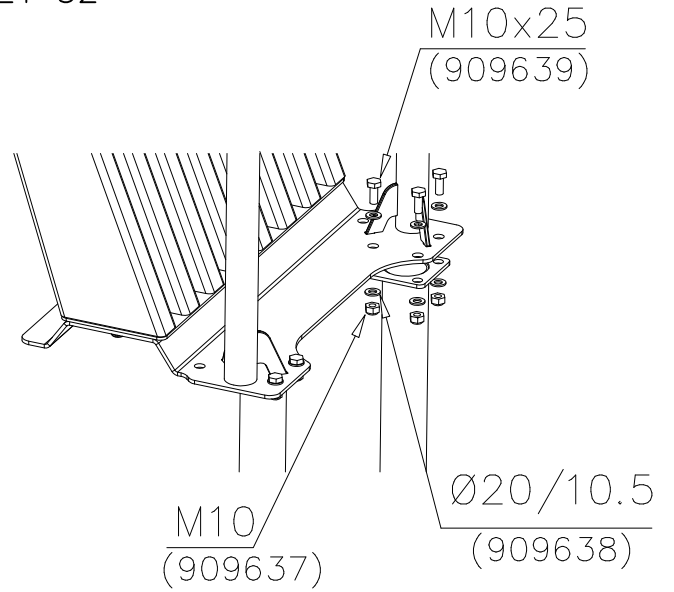
5(10)



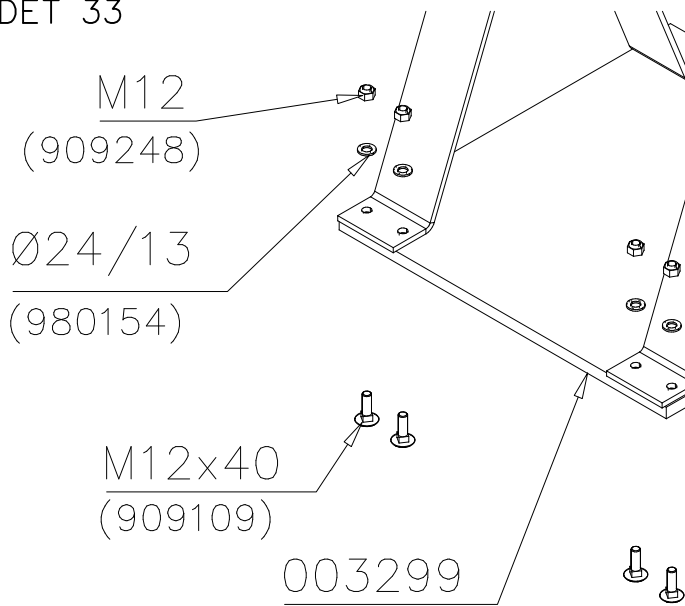
DET 31



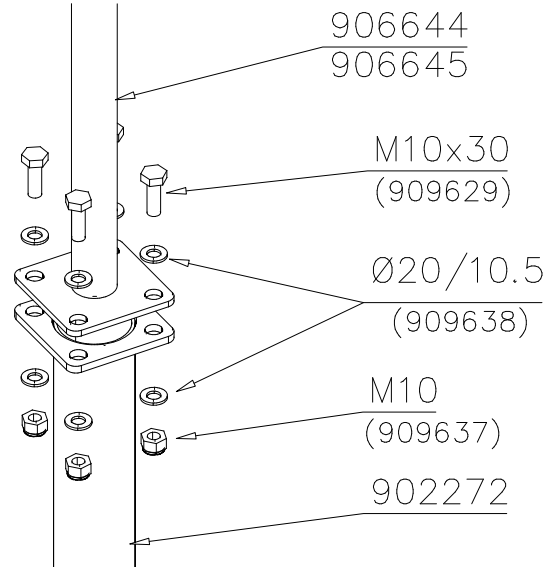
DET 32



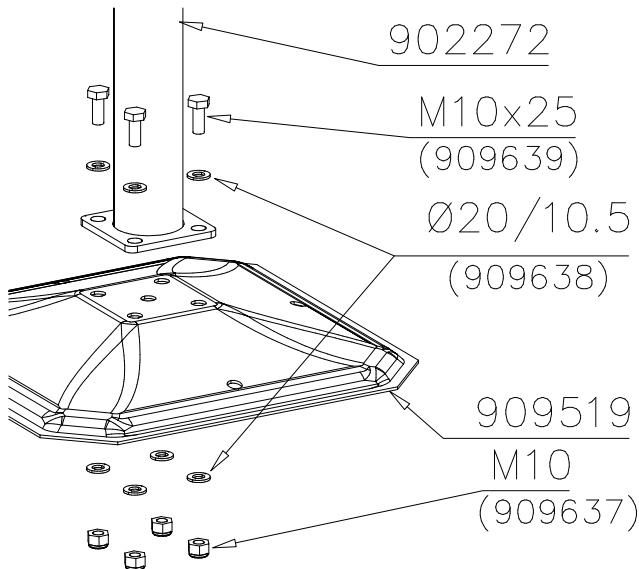
DET 33



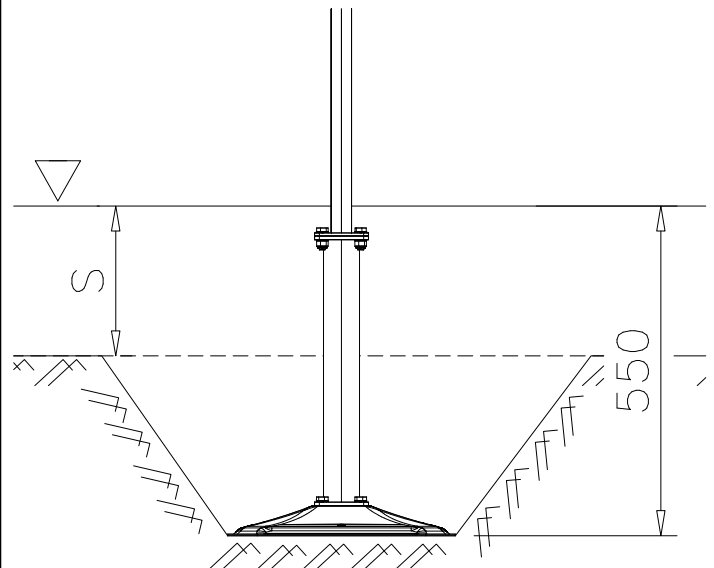
DET 34



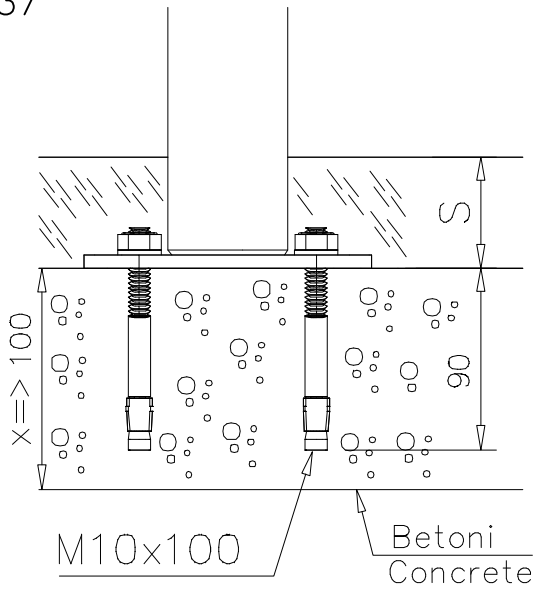
DET 35



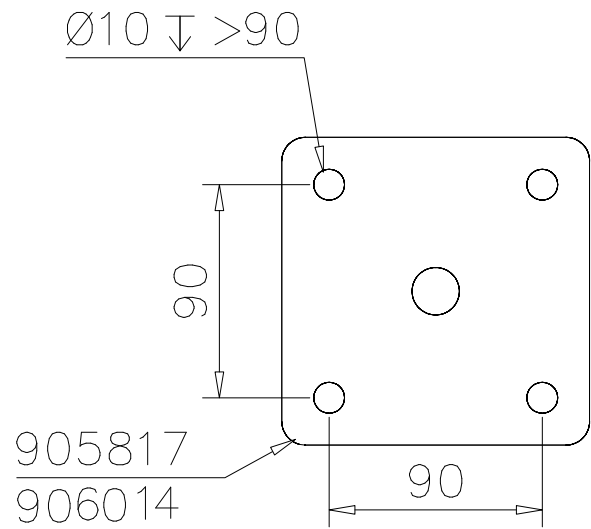
DET 36



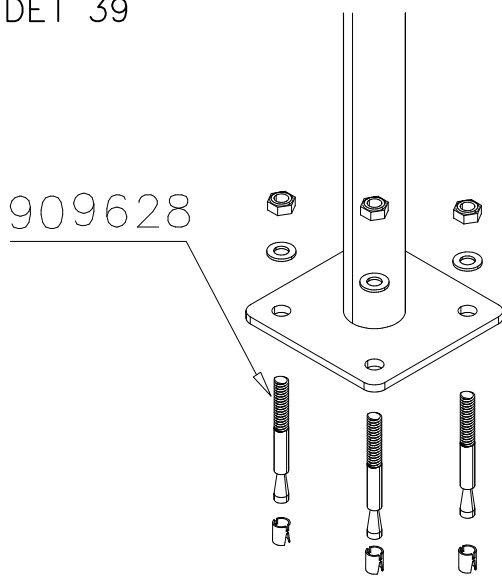
DET 37



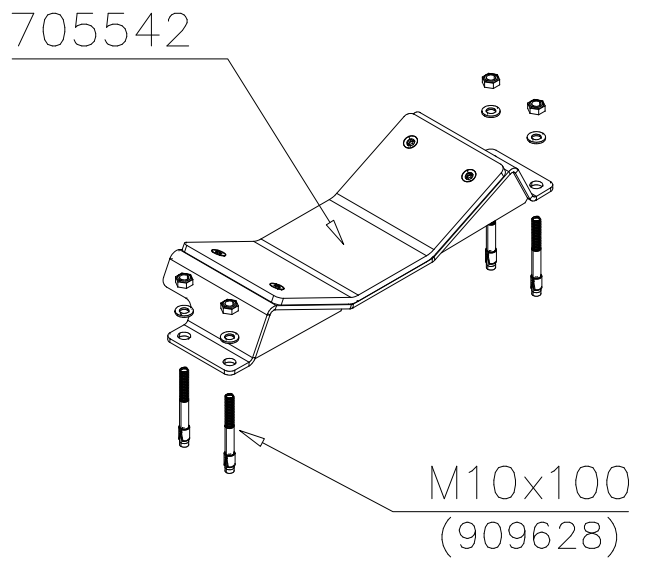
DET 38



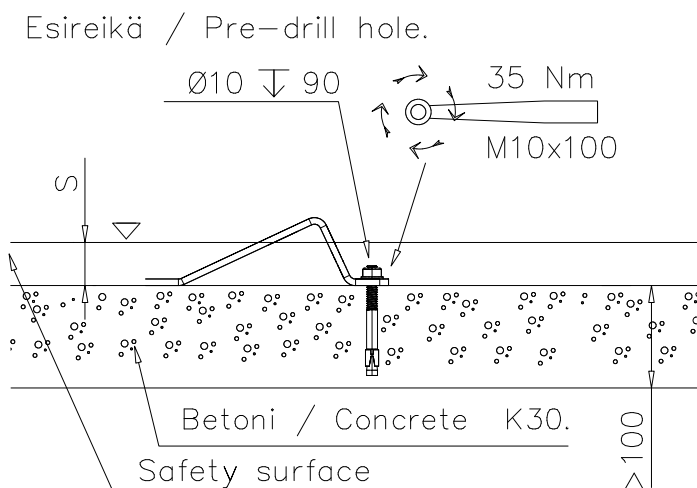
DET 39



DET 40



DET 41



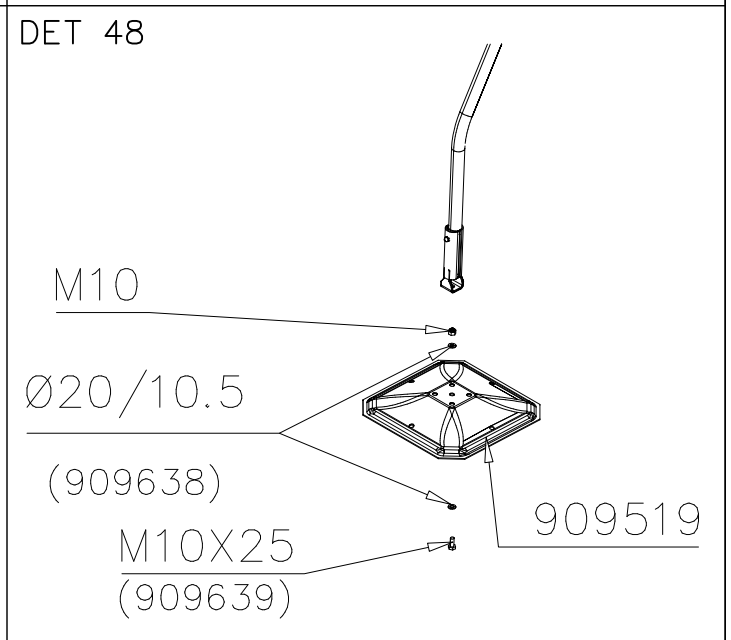
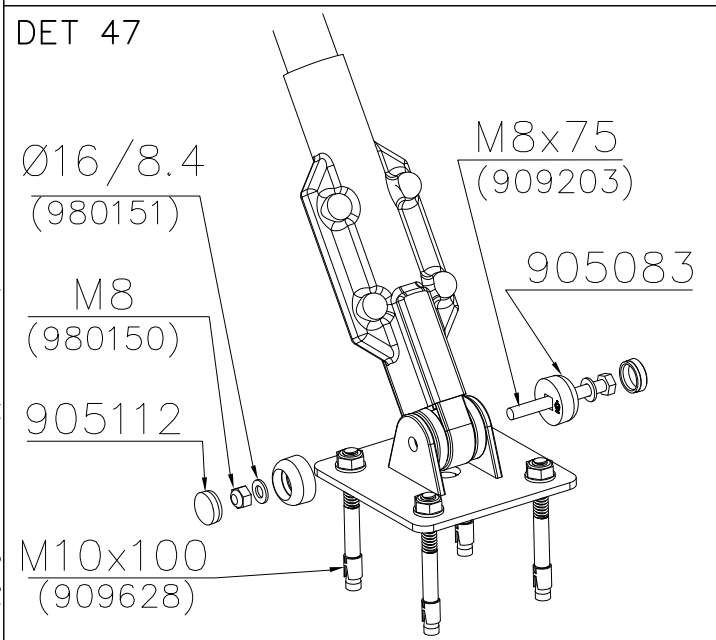
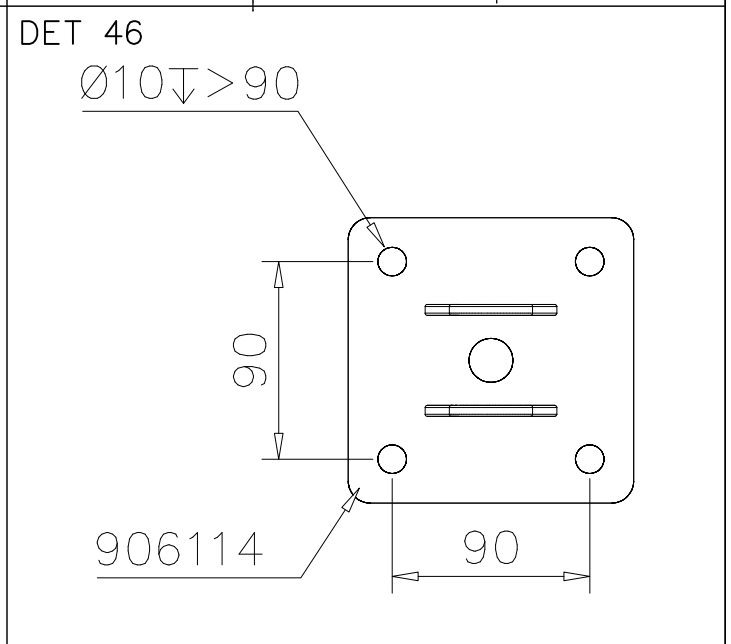
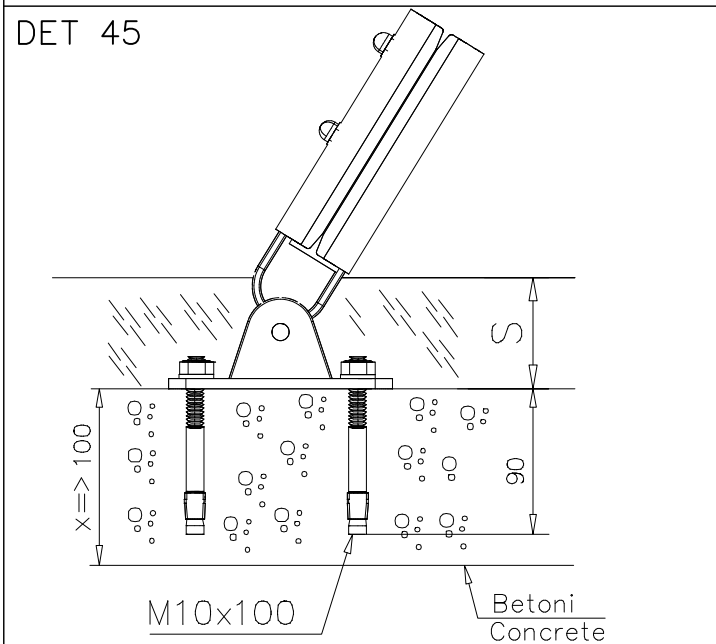
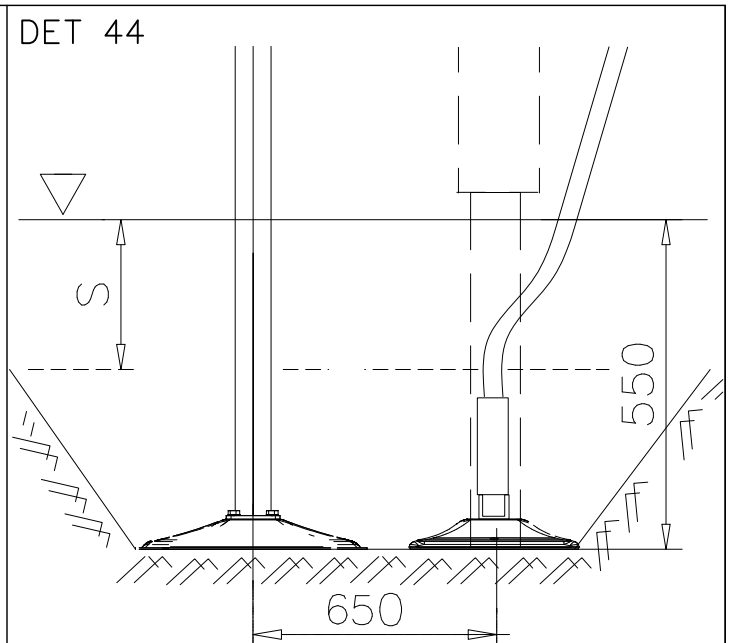
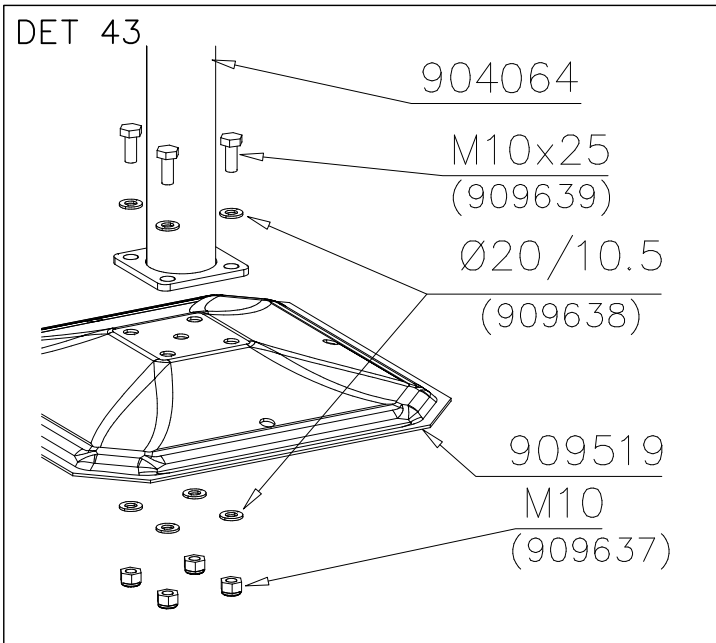
DET 42

LAPPSET SPORT

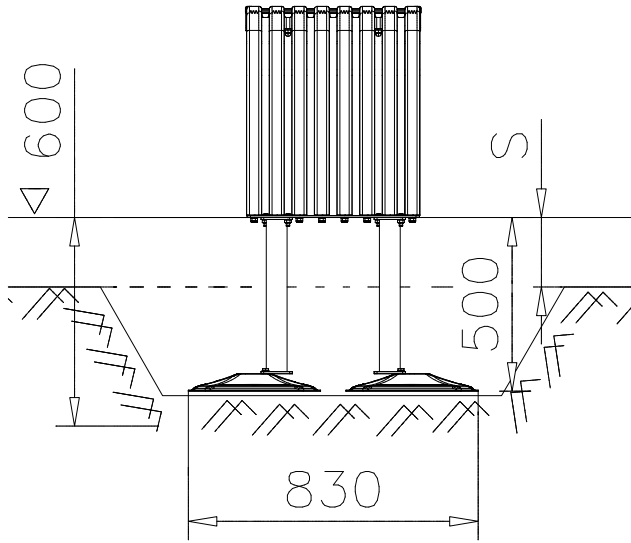
BASE

DATE: 15.8.2017

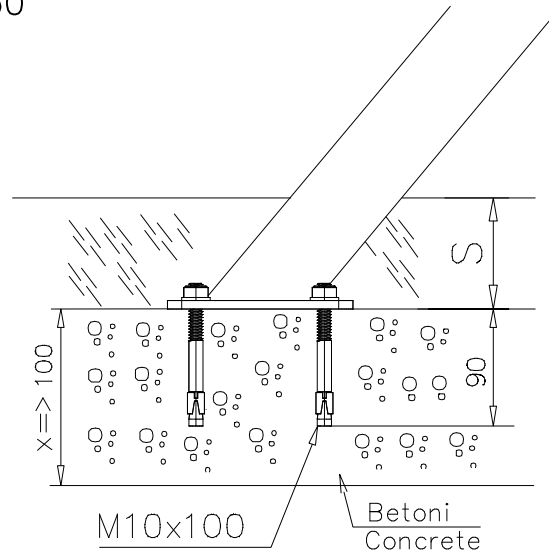
8(10)



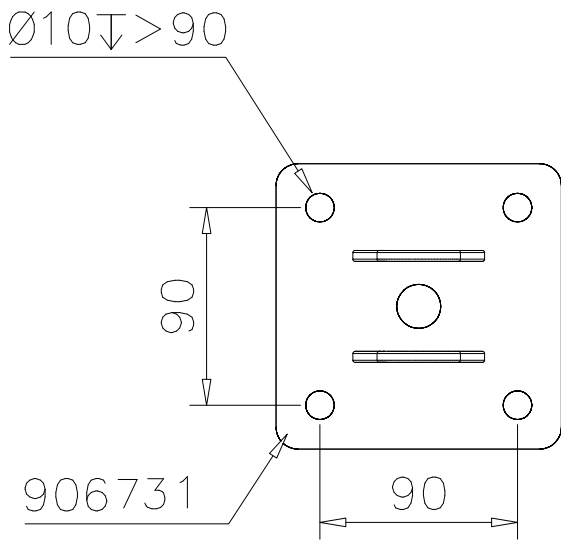
DET 49



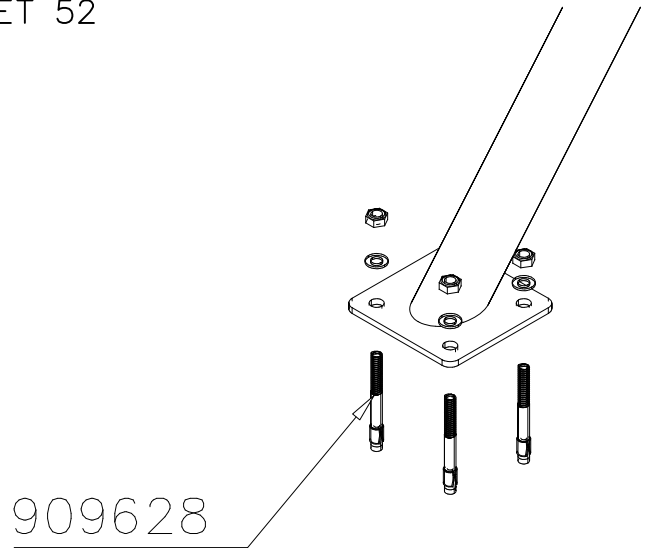
DET 50



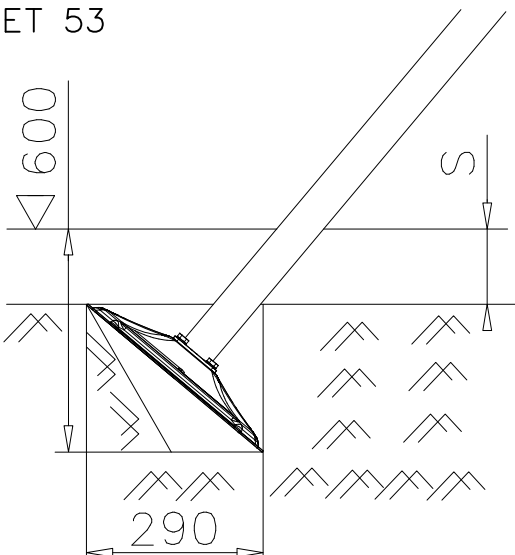
DET 51



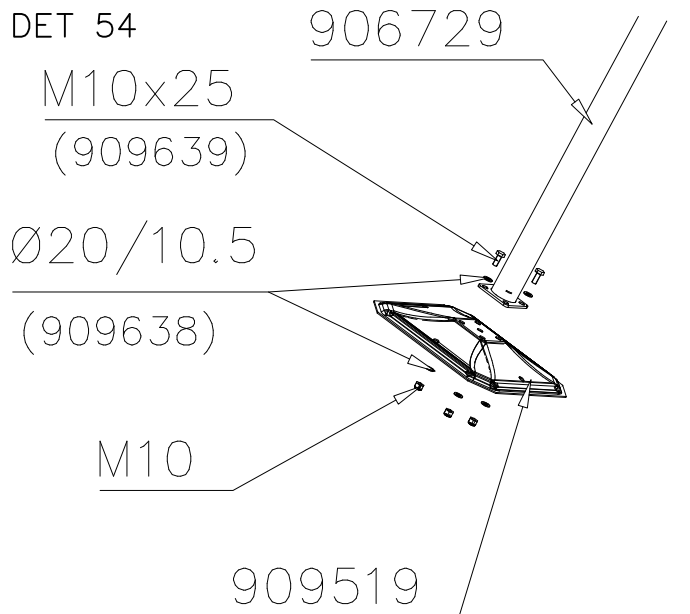
DET 52



DET 53



DET 54



LAPPSET SPORT

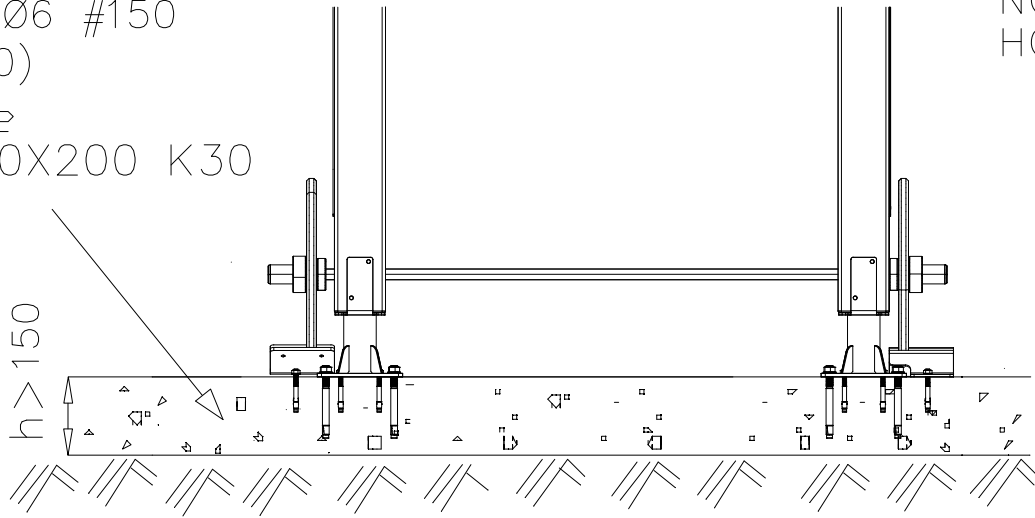
BASE

DATE: 29.4.2015

10(10)

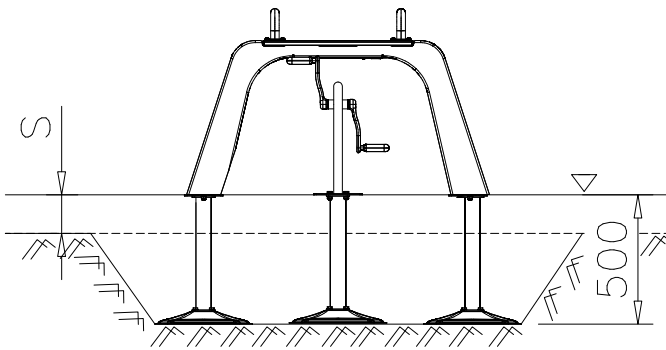
DET 55

STEELNET Ø6 #150
(1400x2100)
Concrete
1500X2200X200 K30

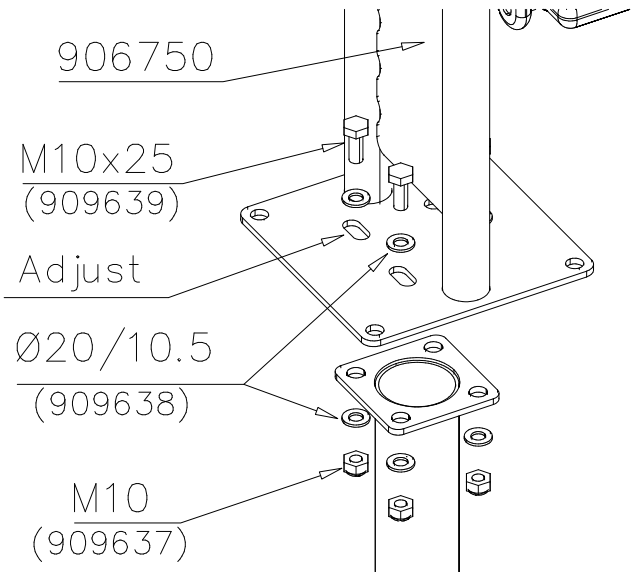


NOTE!
HOX!

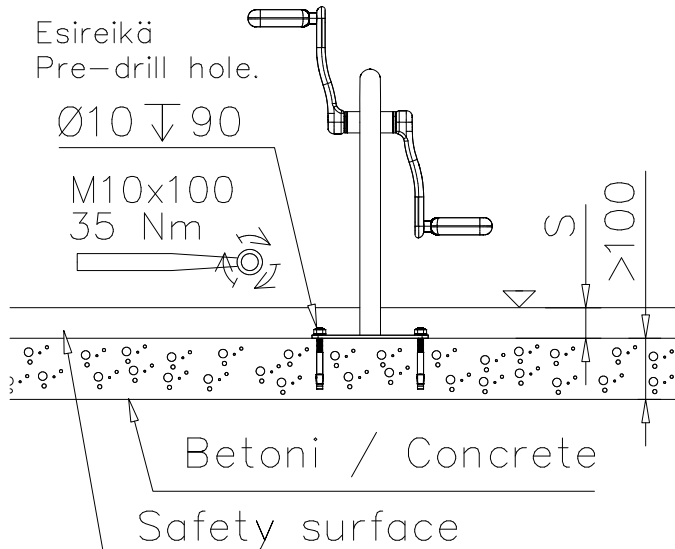
DET 56



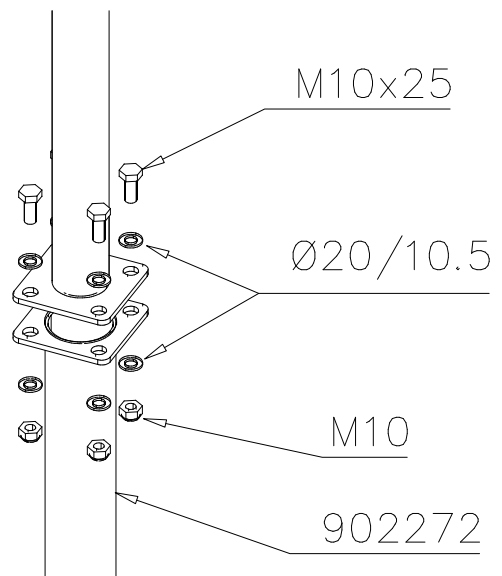
DET 57



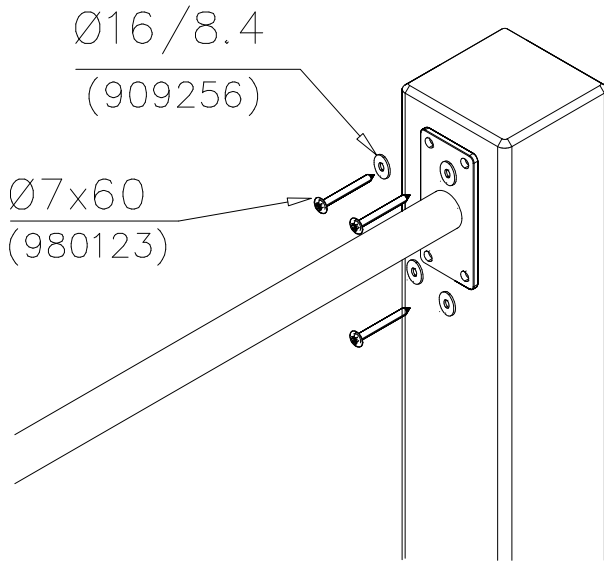
DET 58



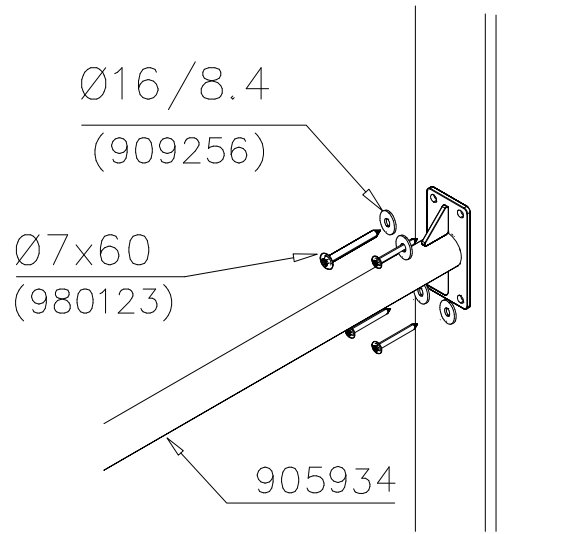
DET 59



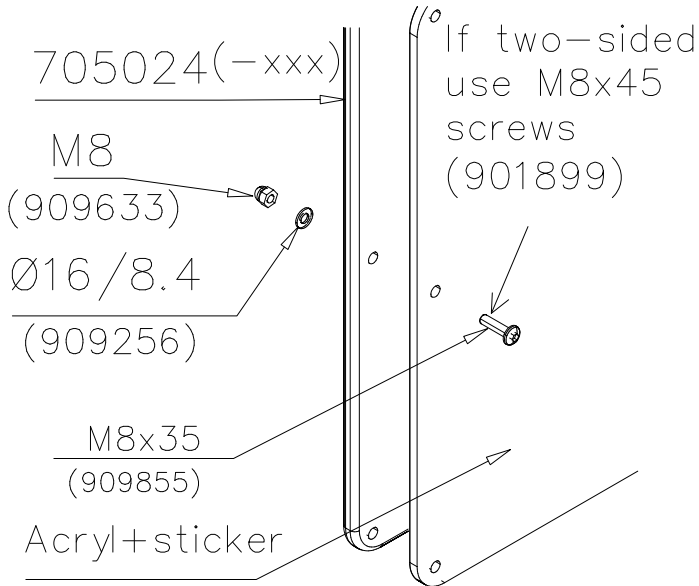
DET 1



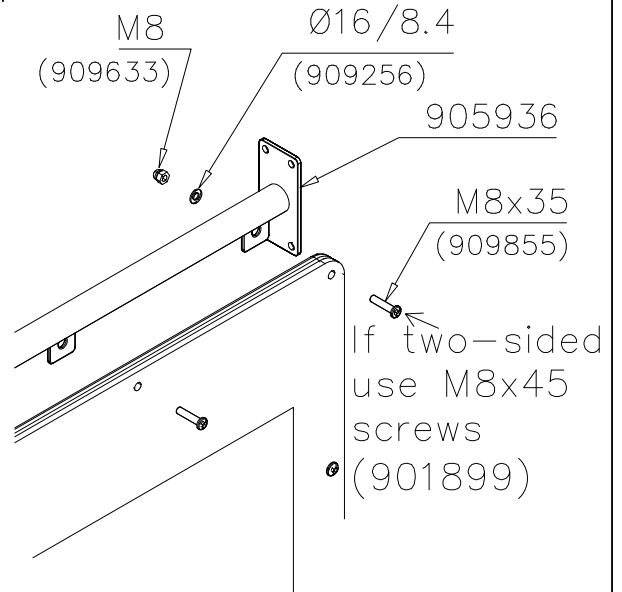
DET 2



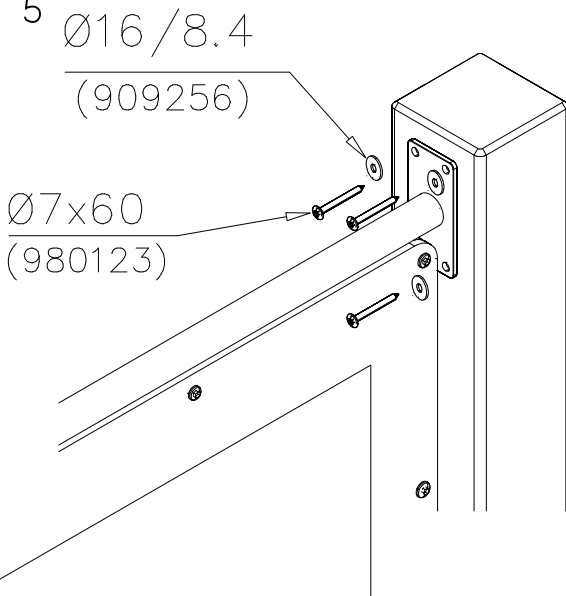
DET 3



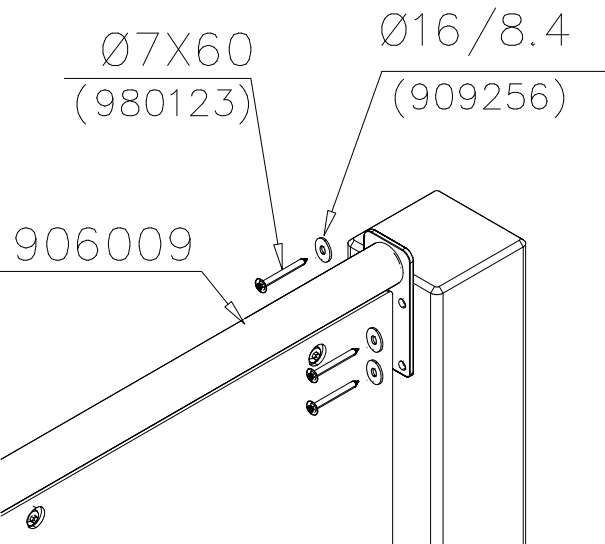
DET 4

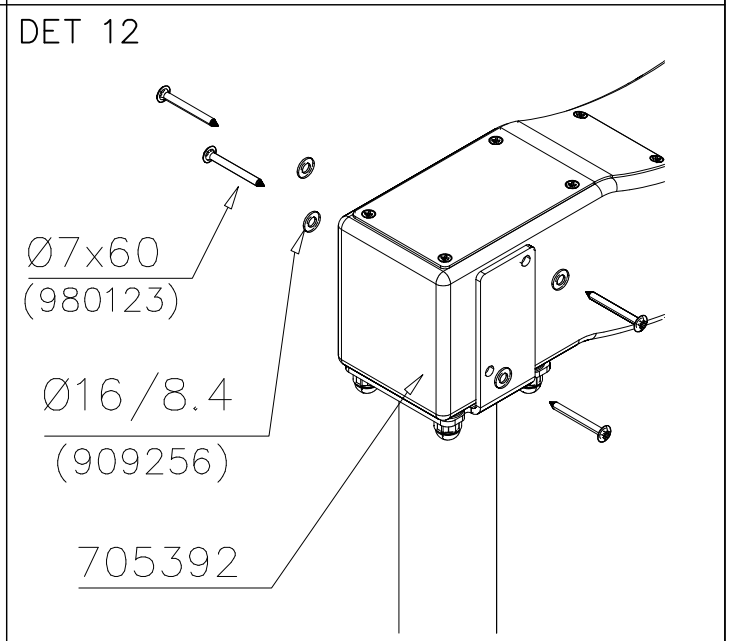
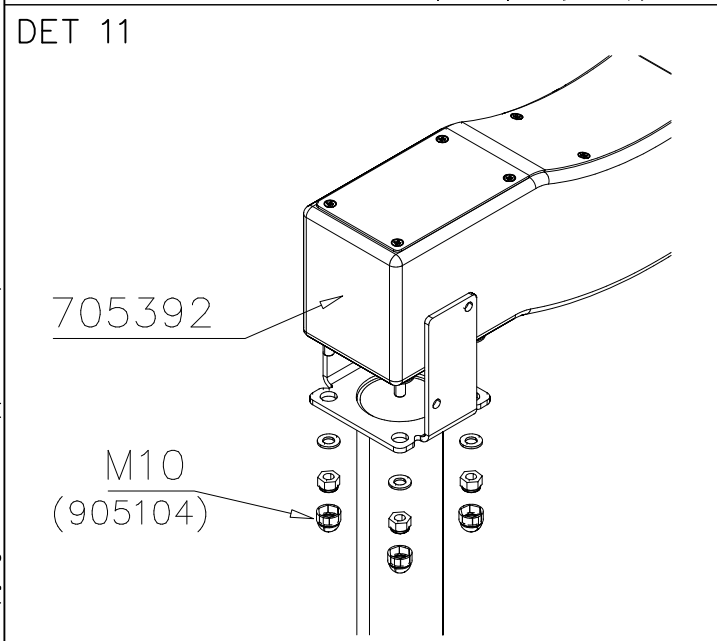
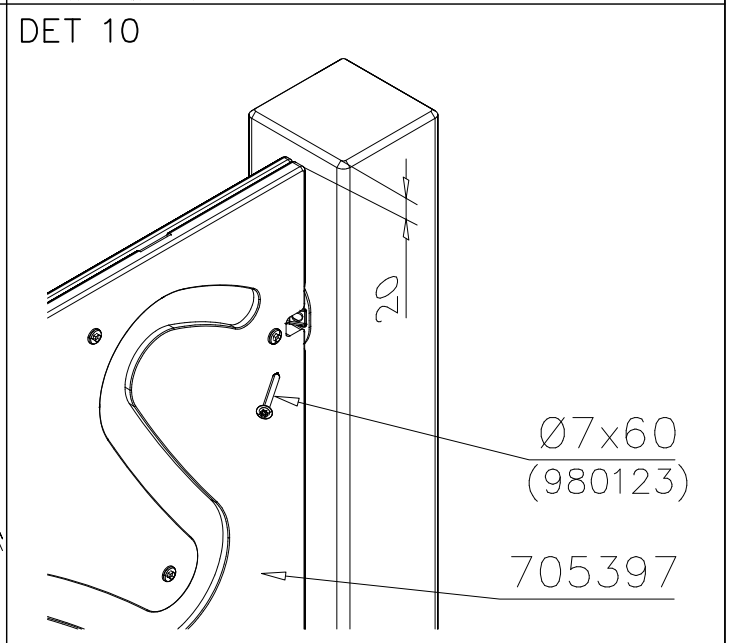
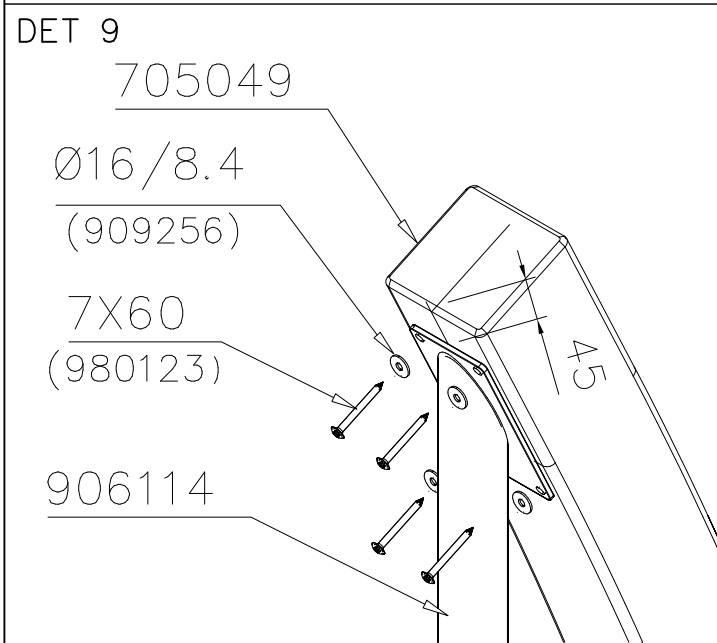
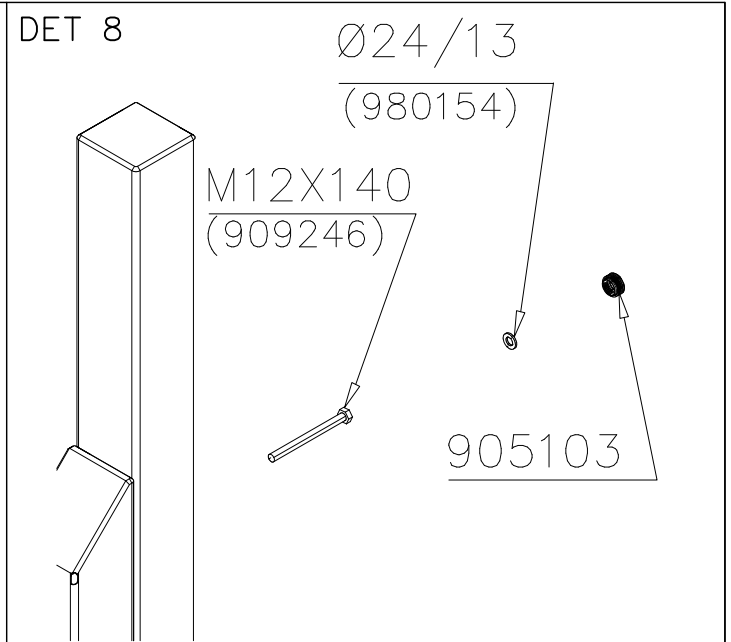
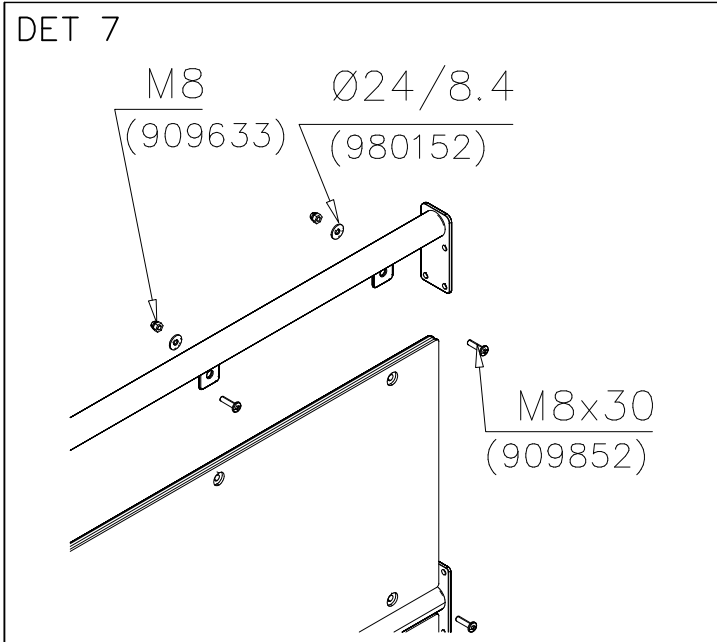


DET 5

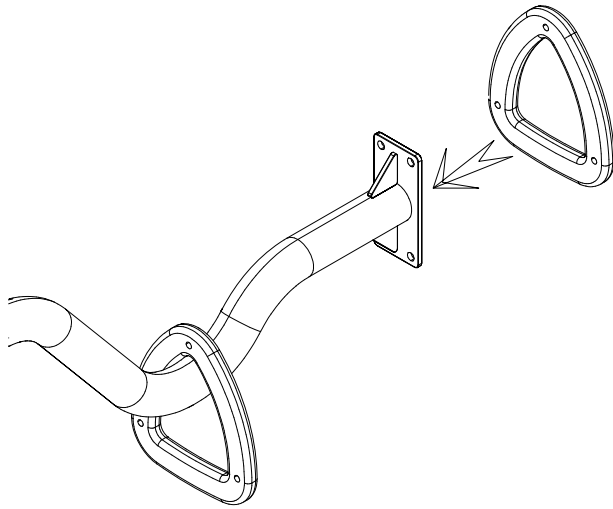


DET 6

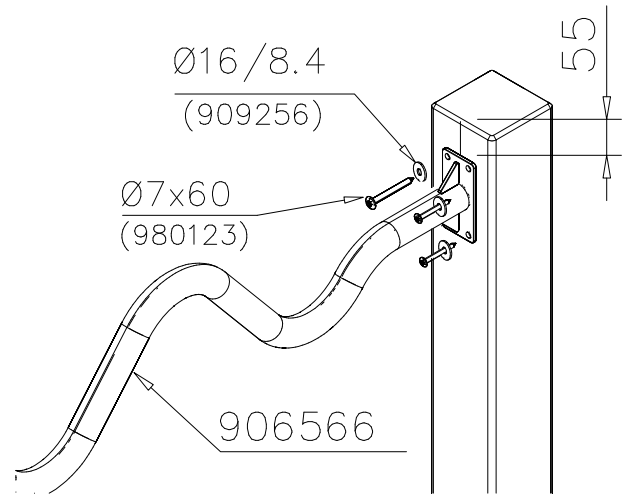




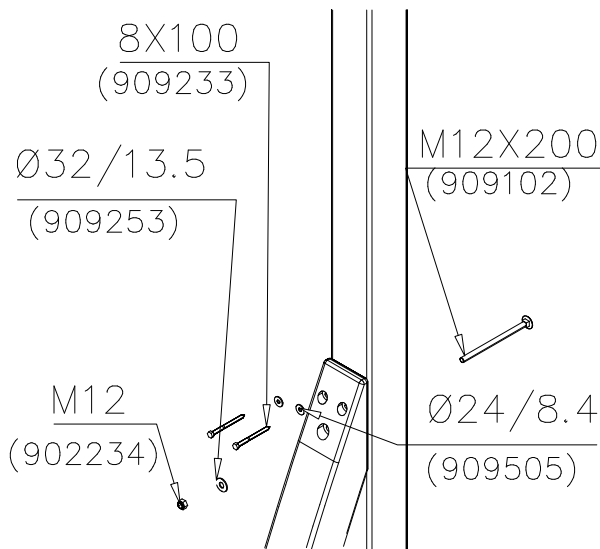
DET 13



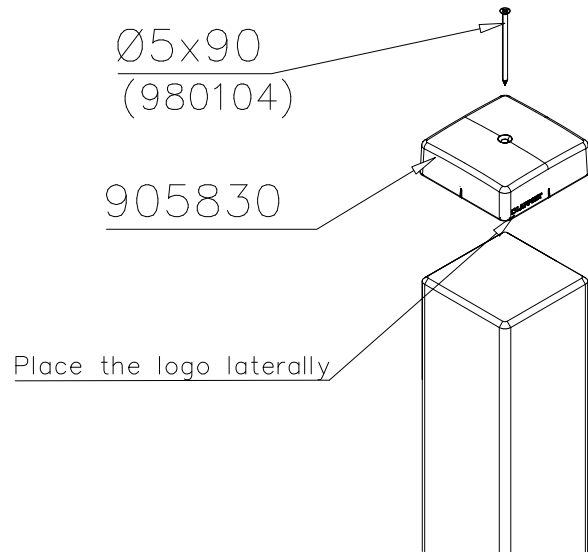
DET 14



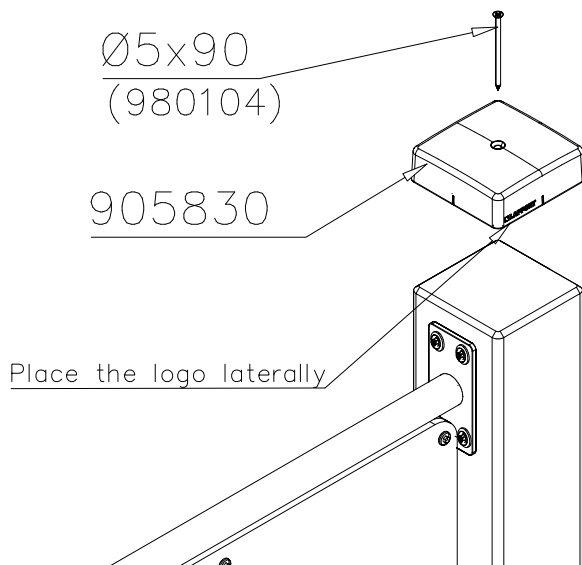
DET 15



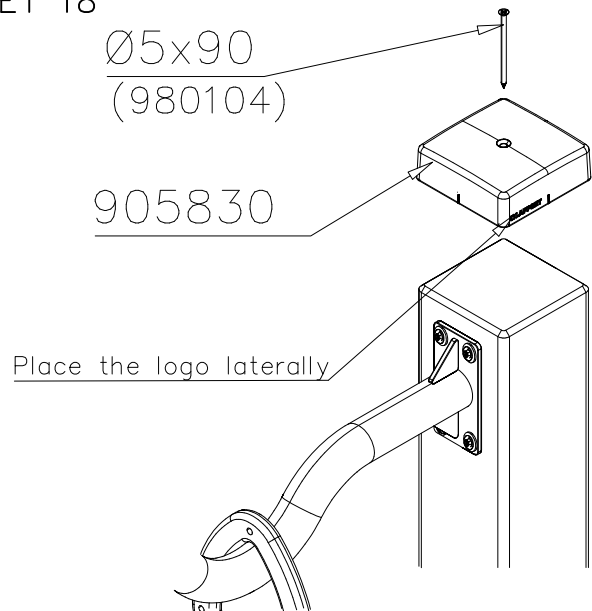
DET 16



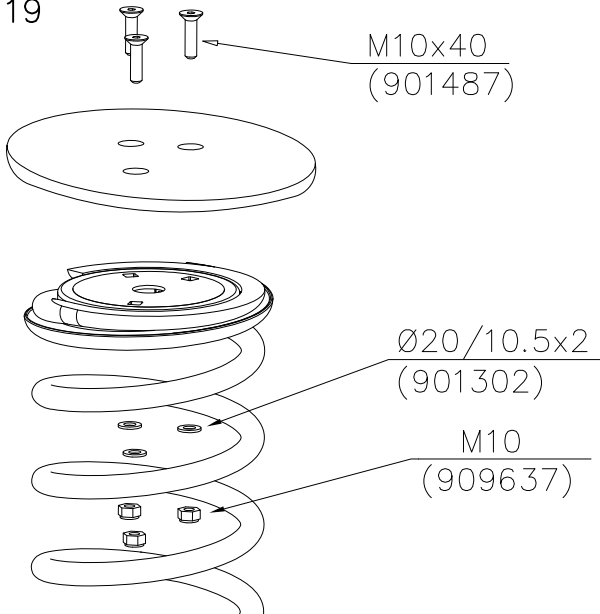
DET 17



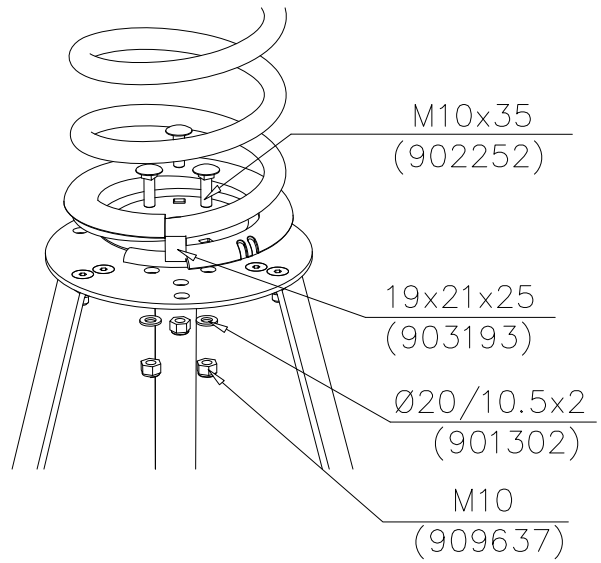
DET 18



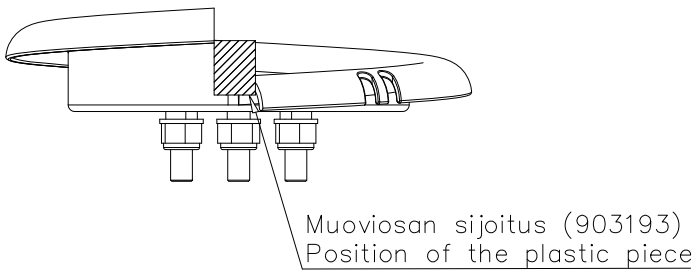
DET 19



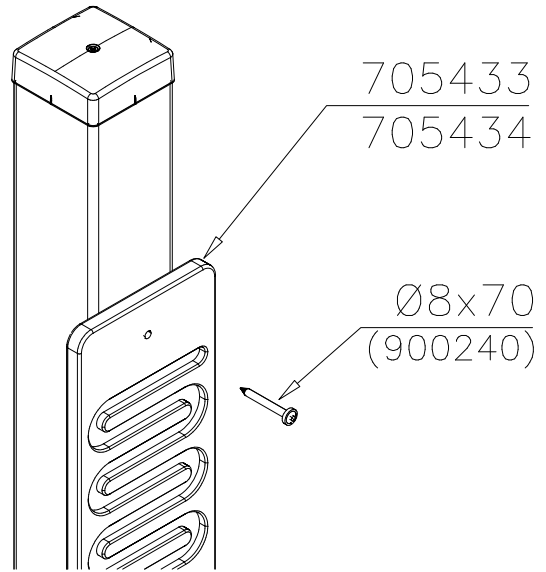
DET 20



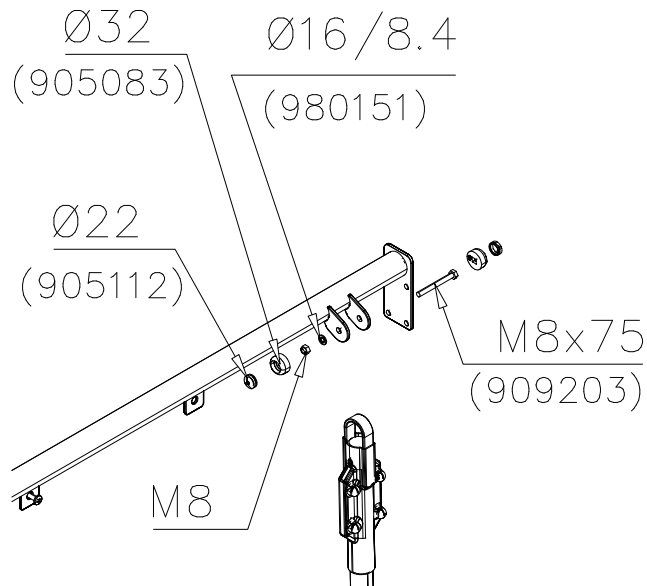
DET 21



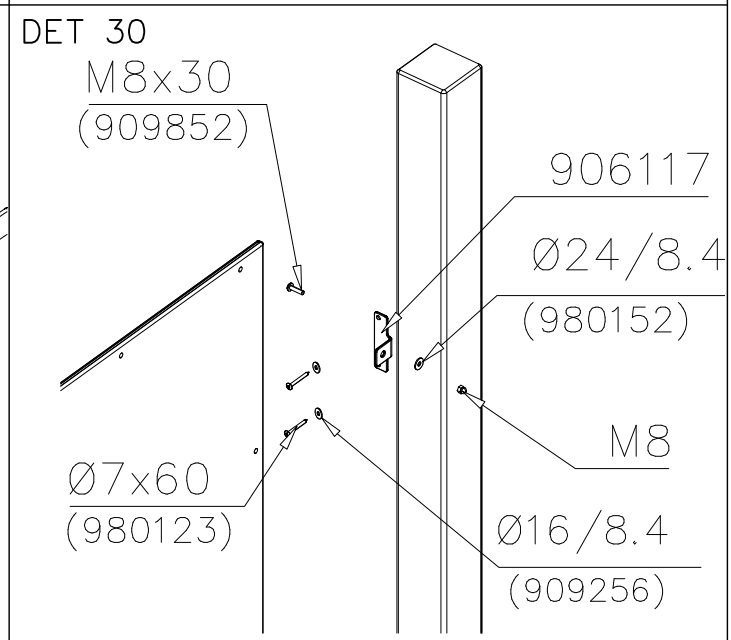
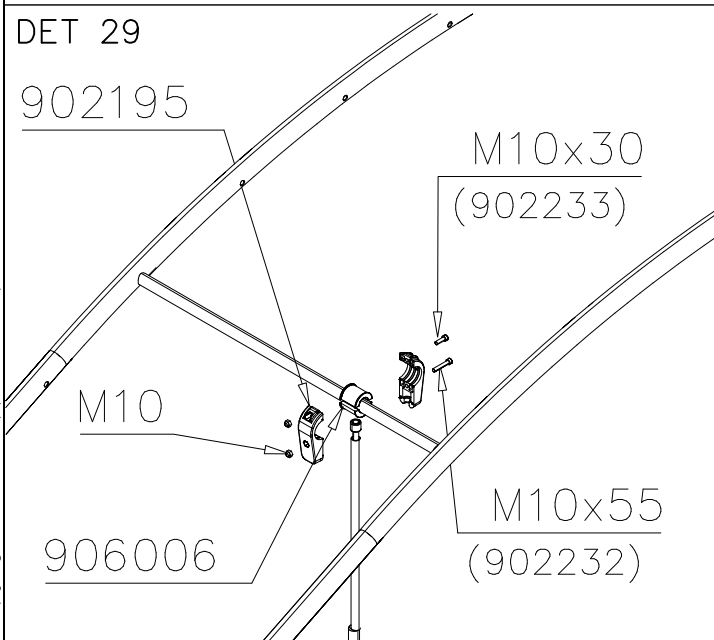
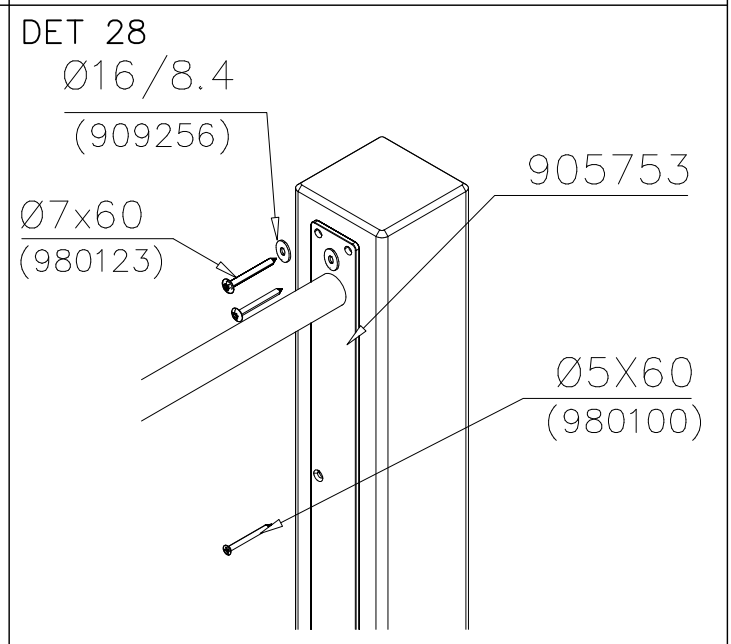
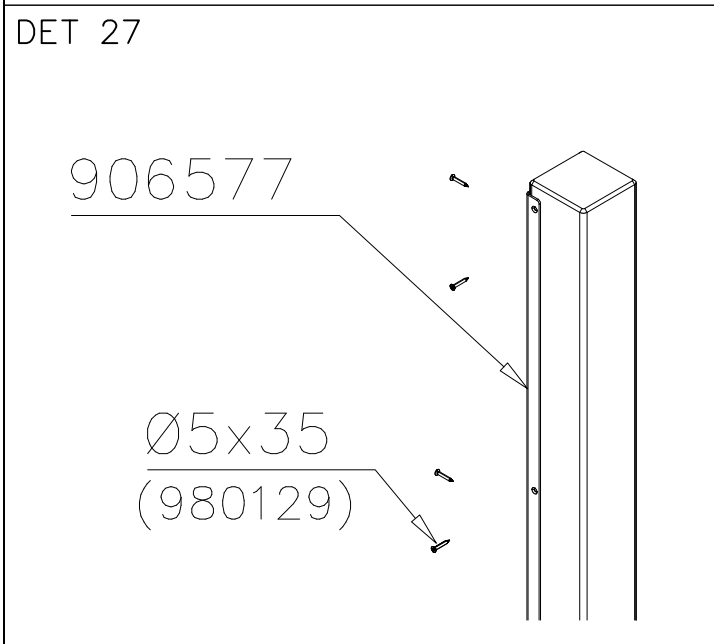
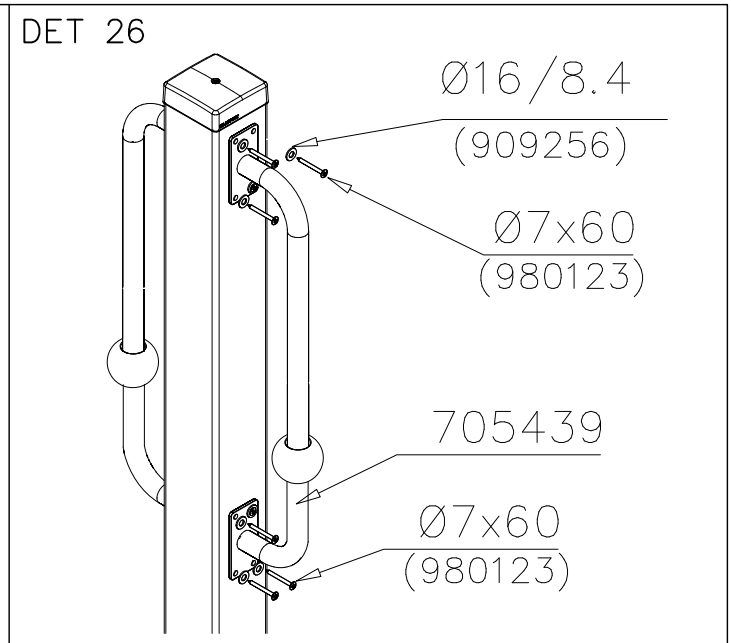
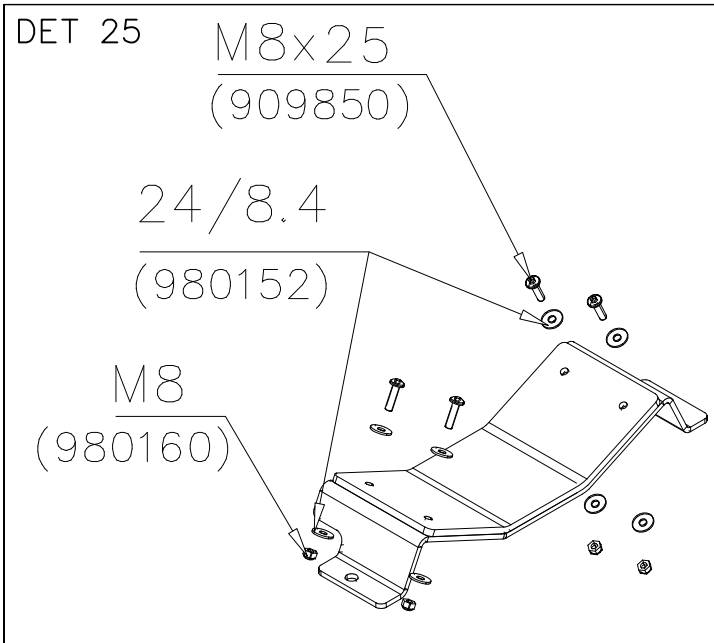
DET 22



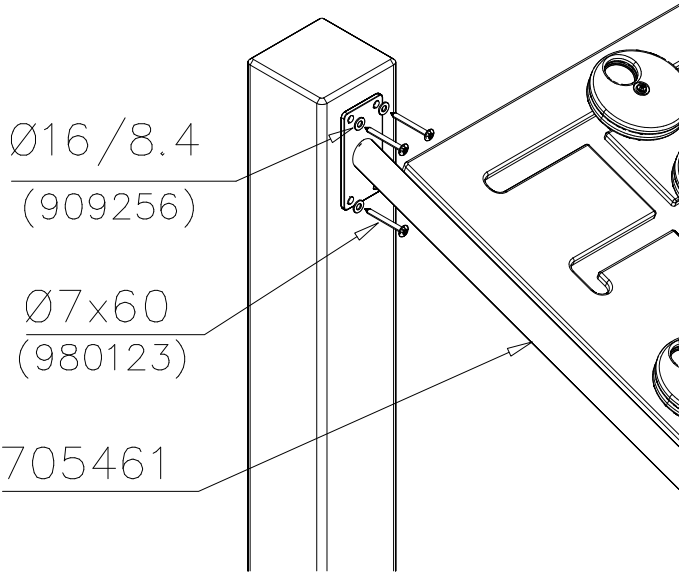
DET 23



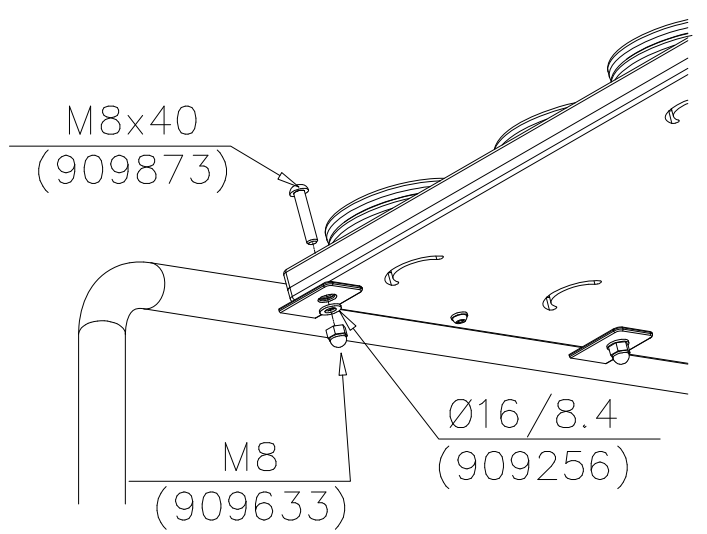
DET 24



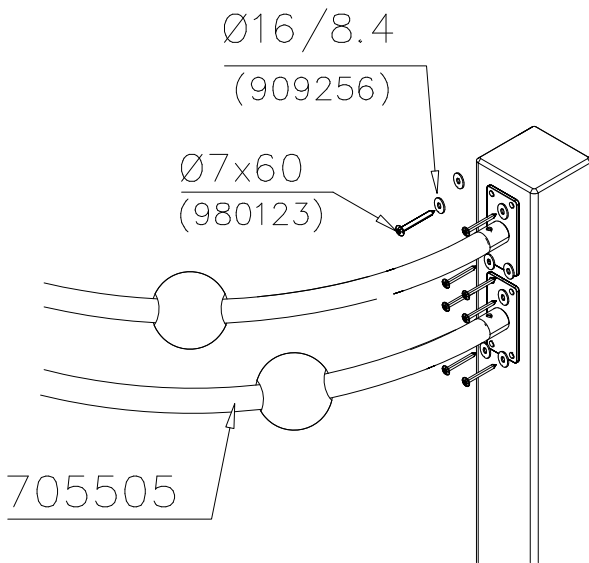
DET 31



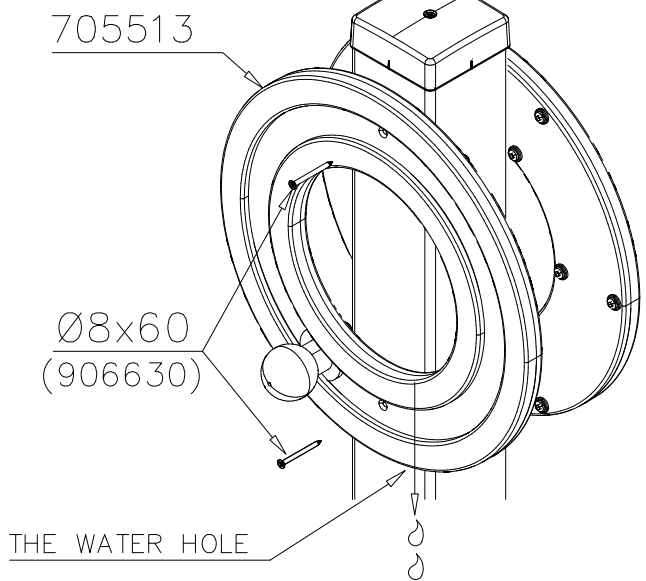
DET 32



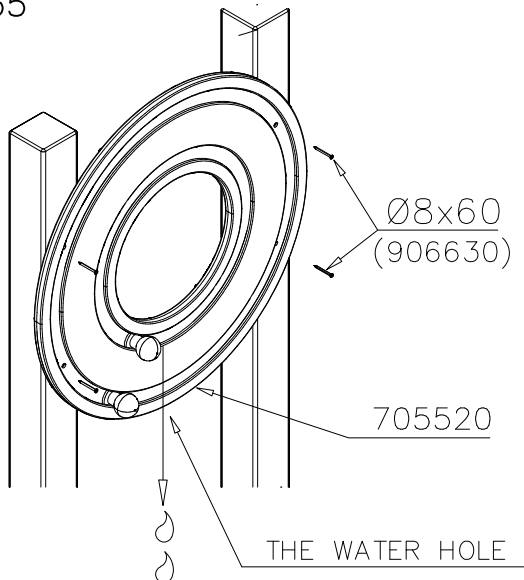
DET 33



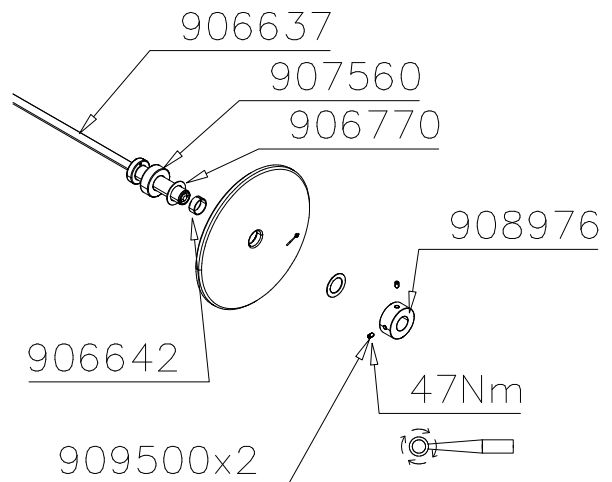
DET 34



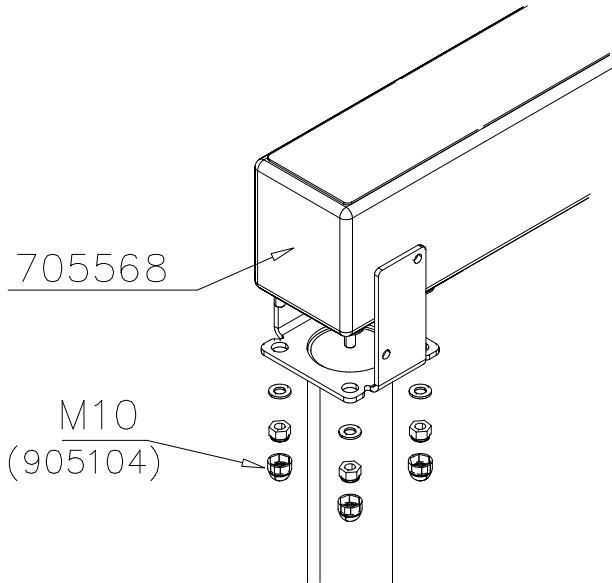
DET 35



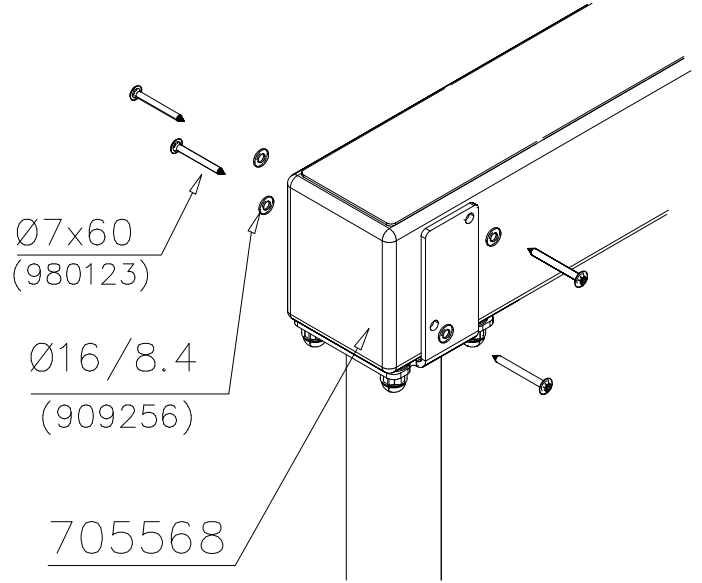
DET 36



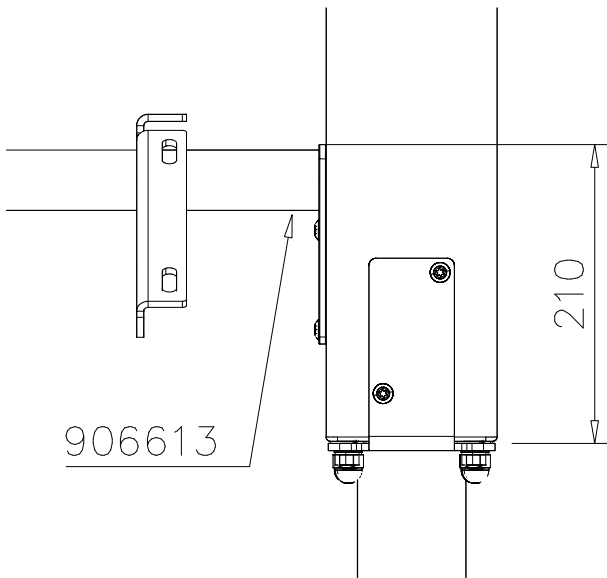
DET 37



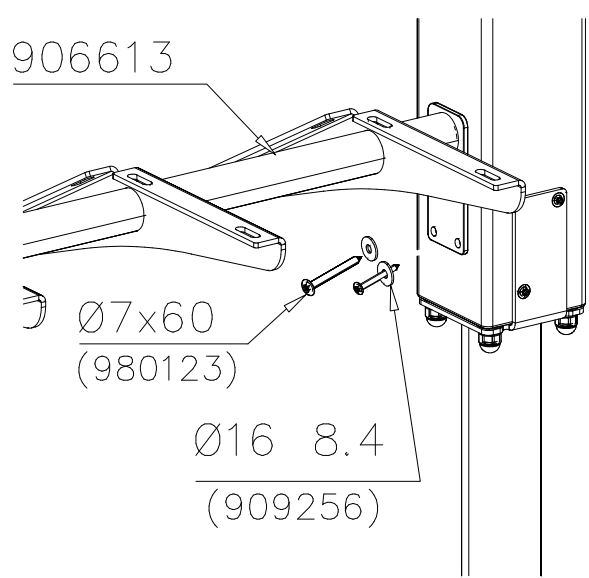
DET 38



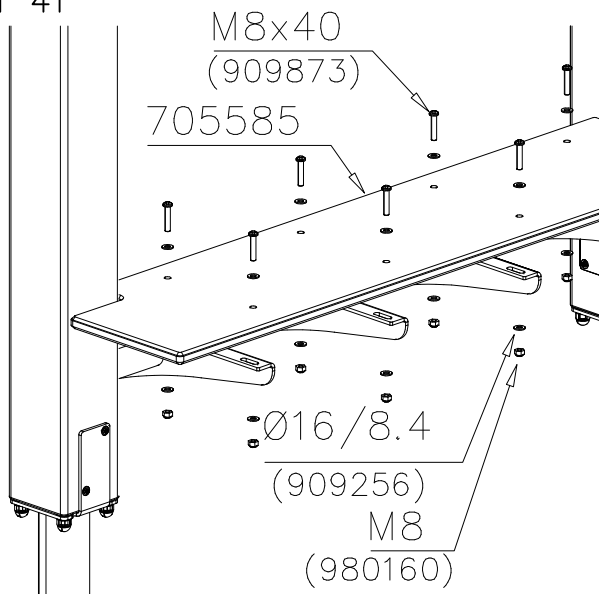
DET 39



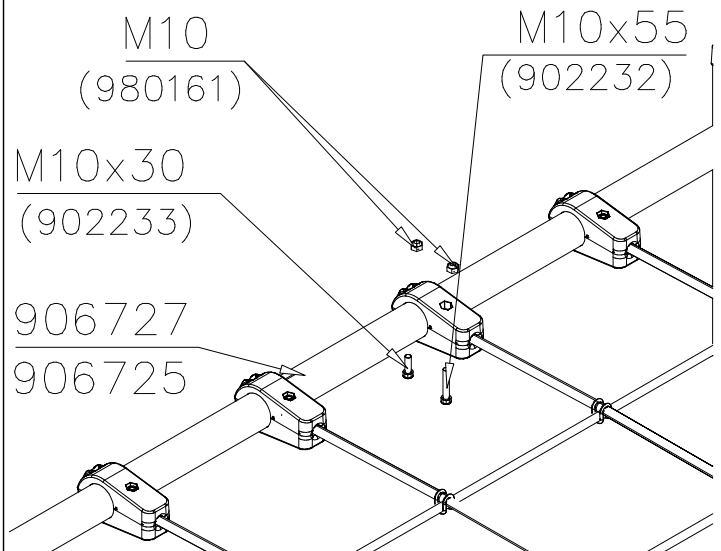
DET 40

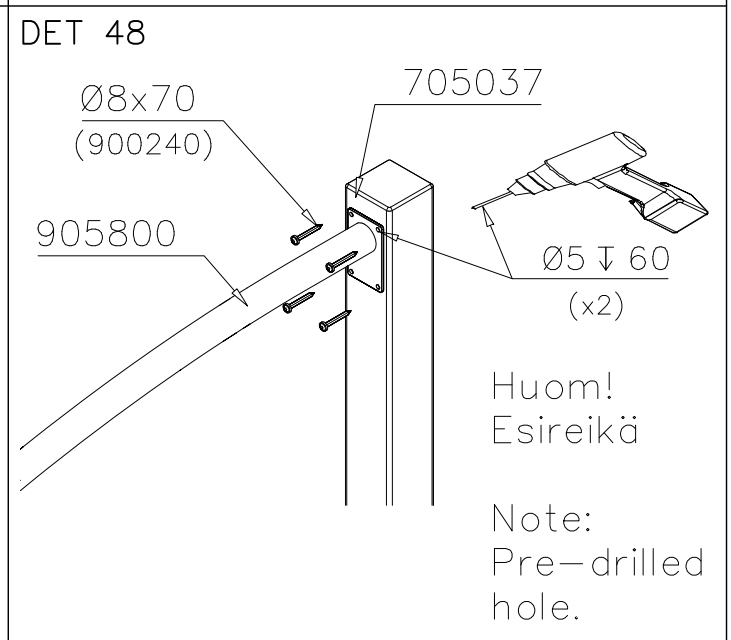
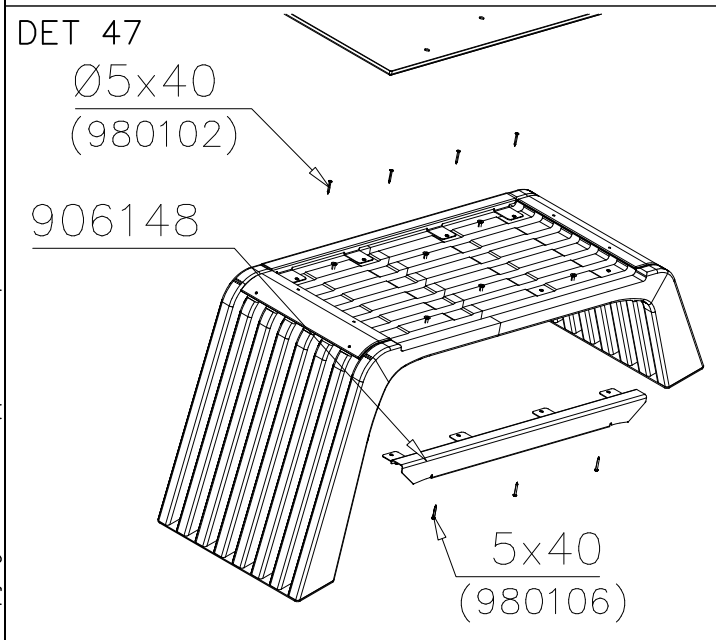
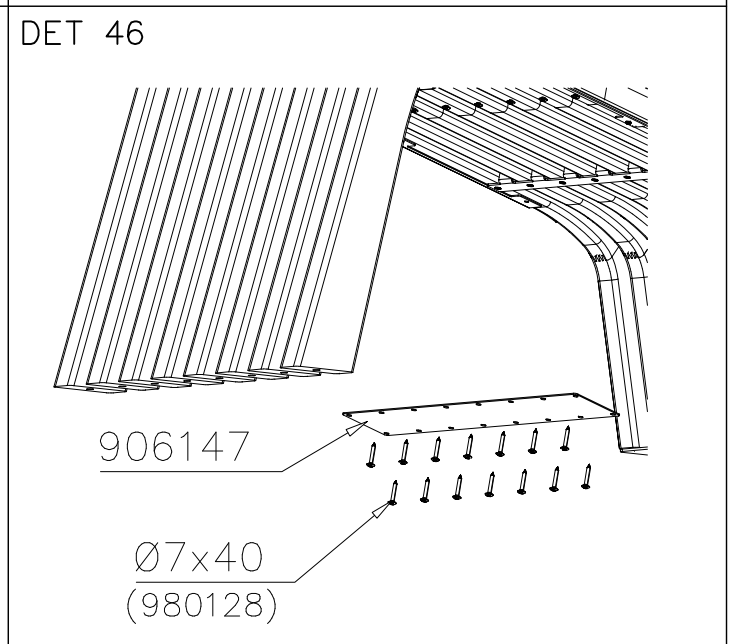
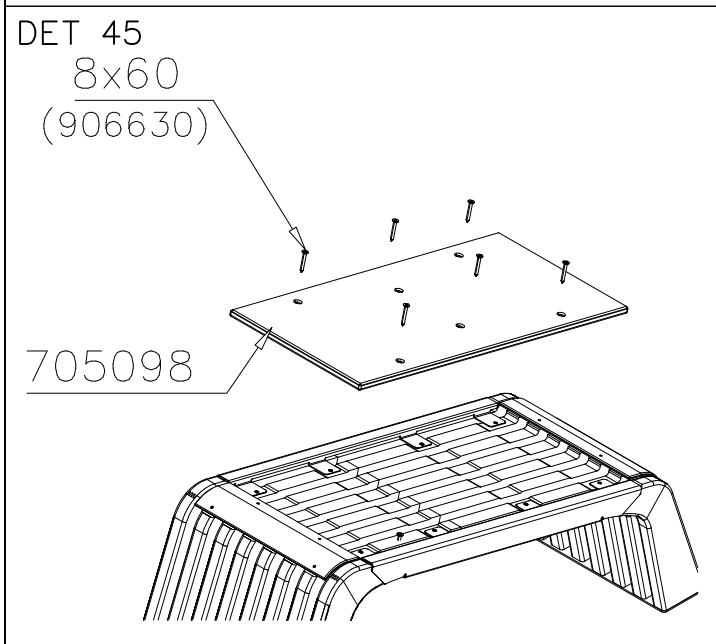
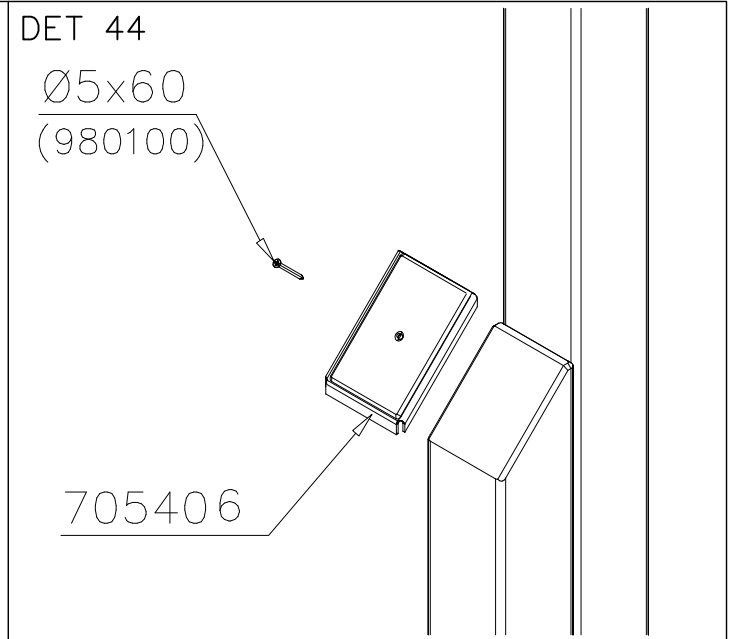
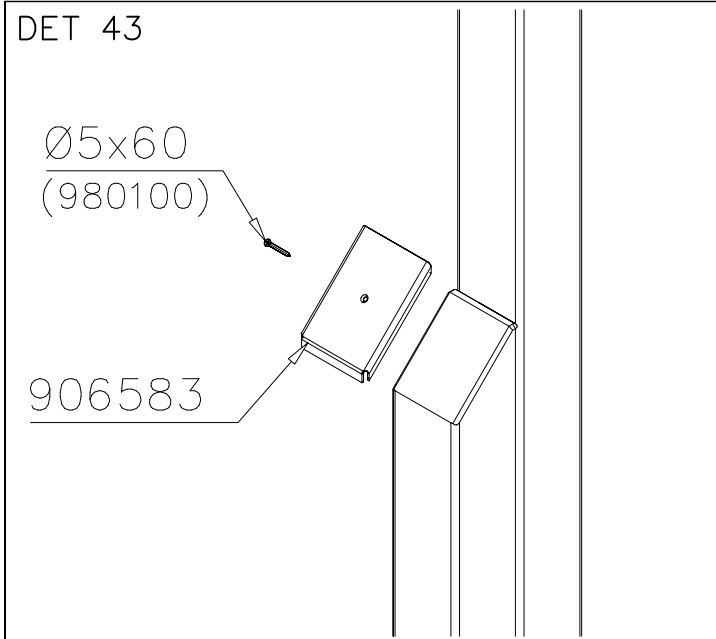


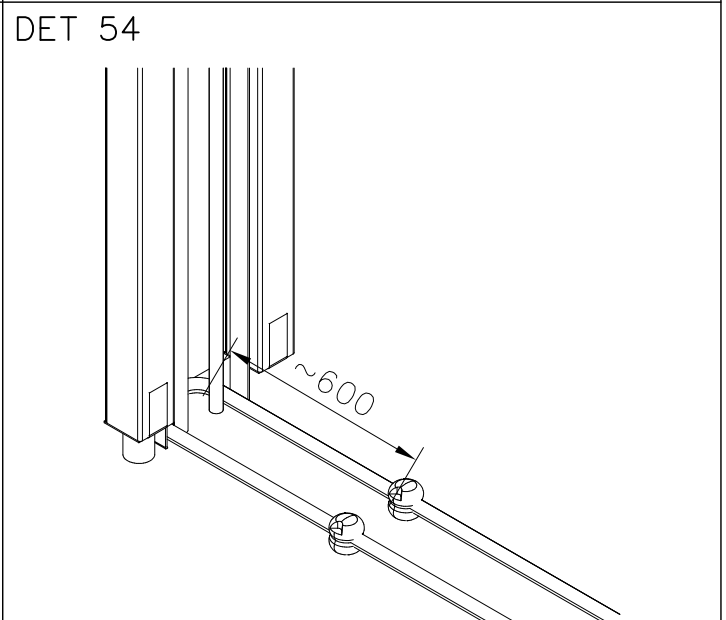
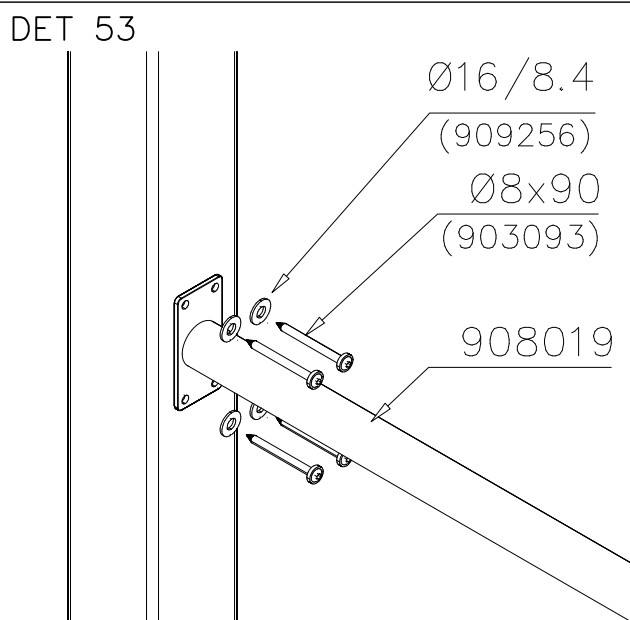
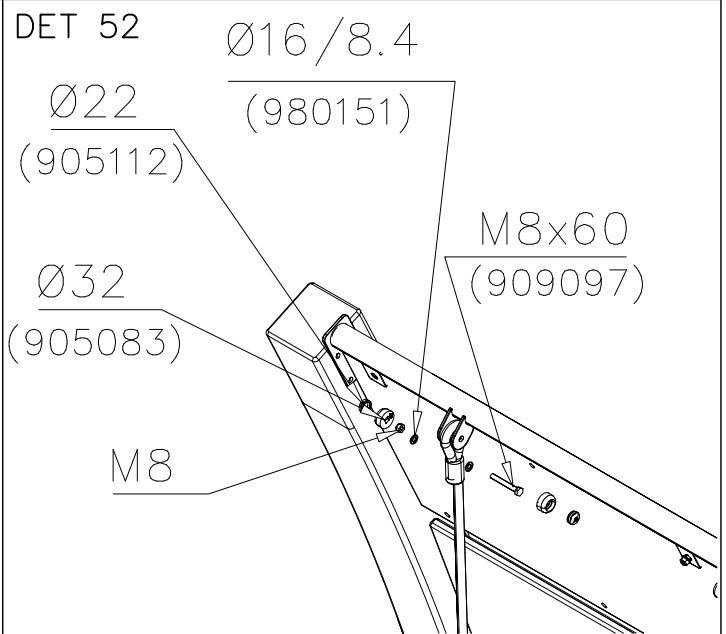
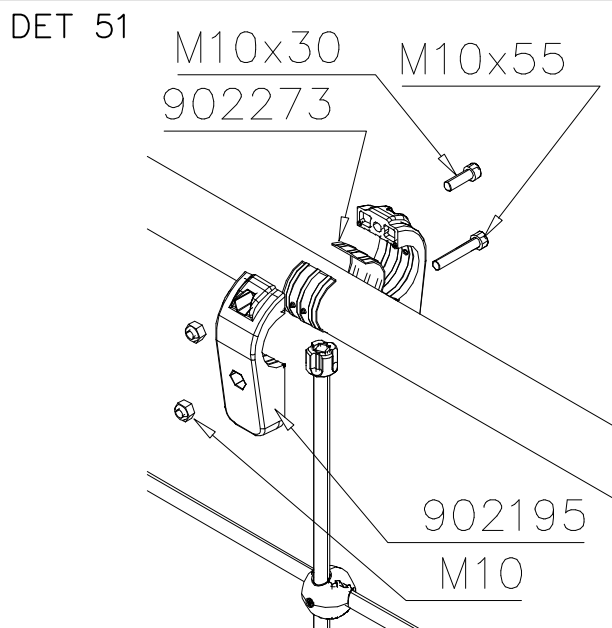
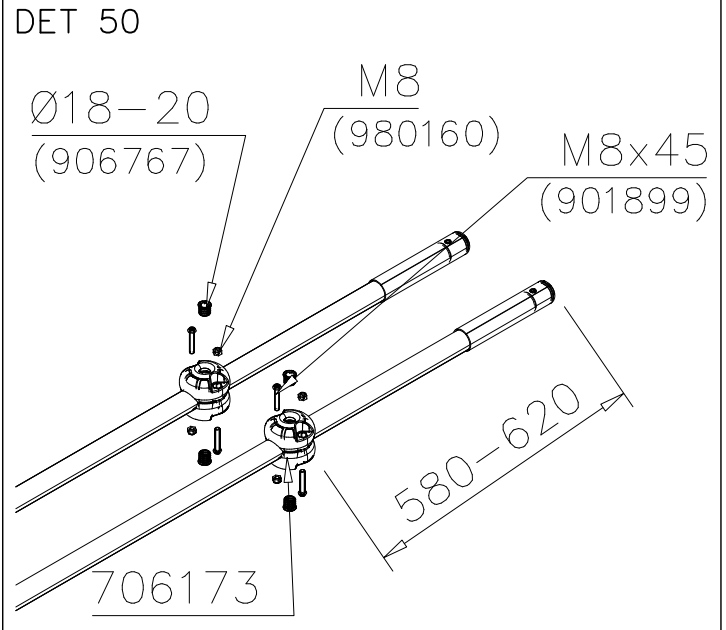
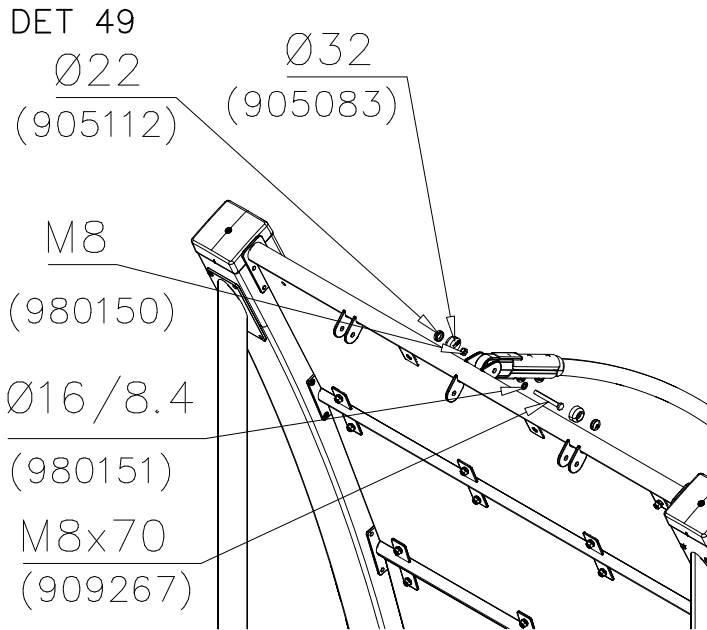
DET 41



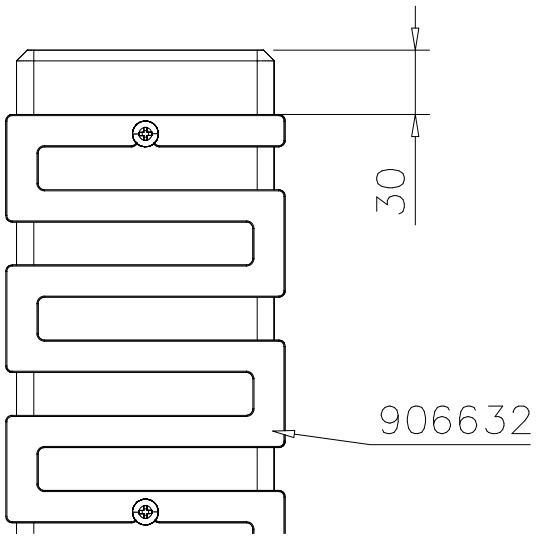
DET 42



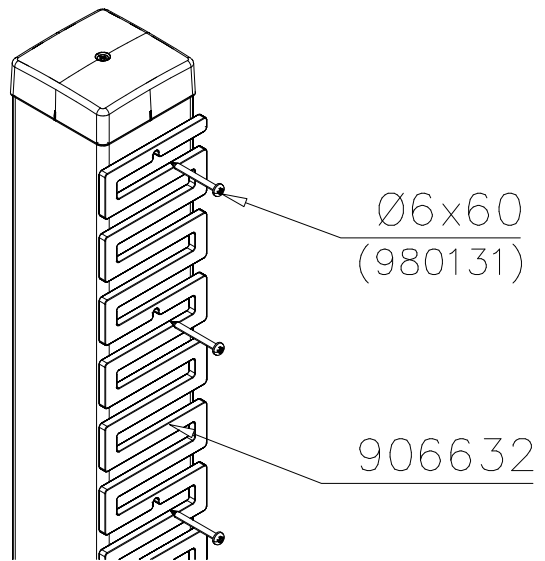




DET 55



DET 56



DET 57

DET 58

DET 59

DET 60