

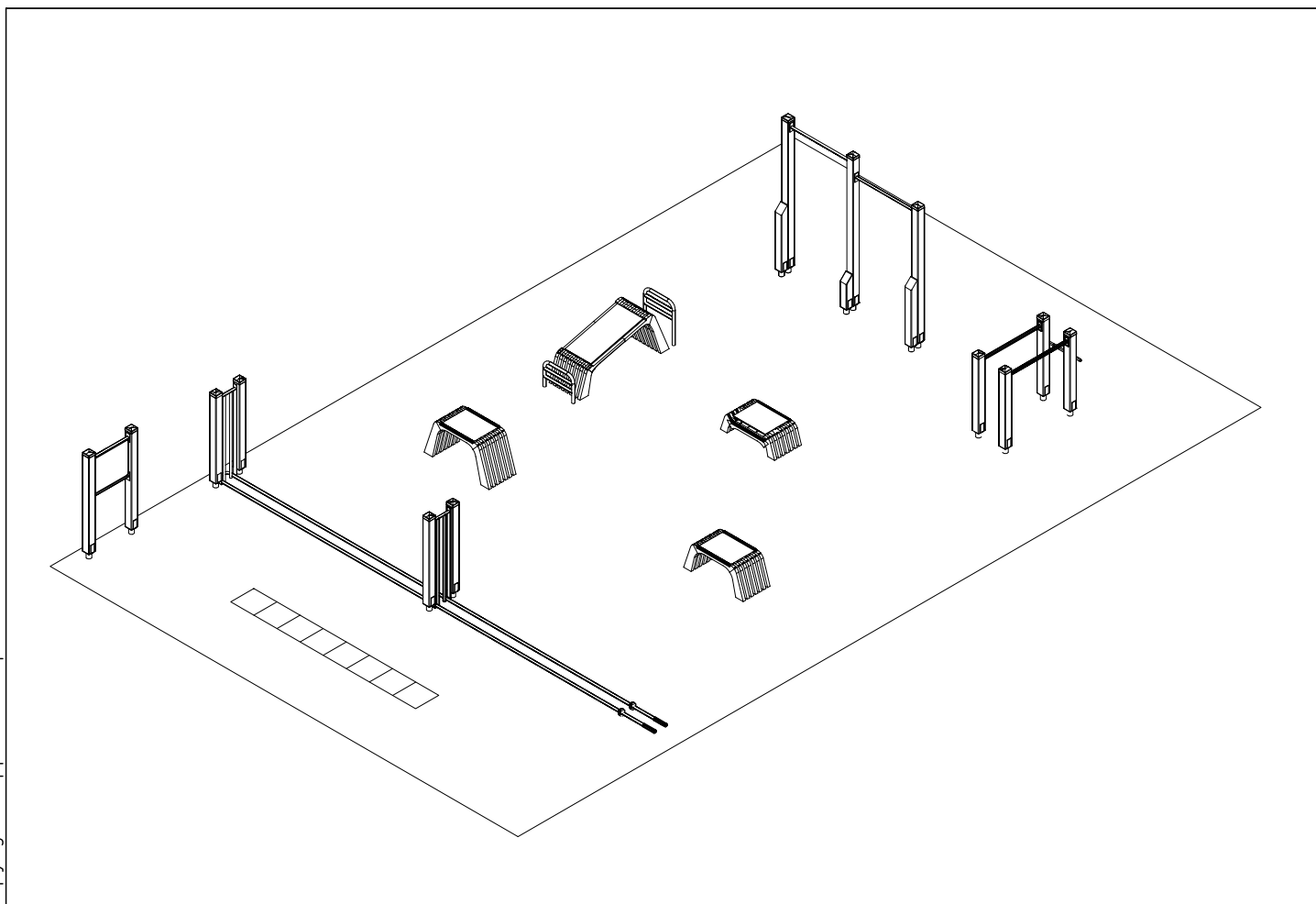
LAPPSET®

SPORT

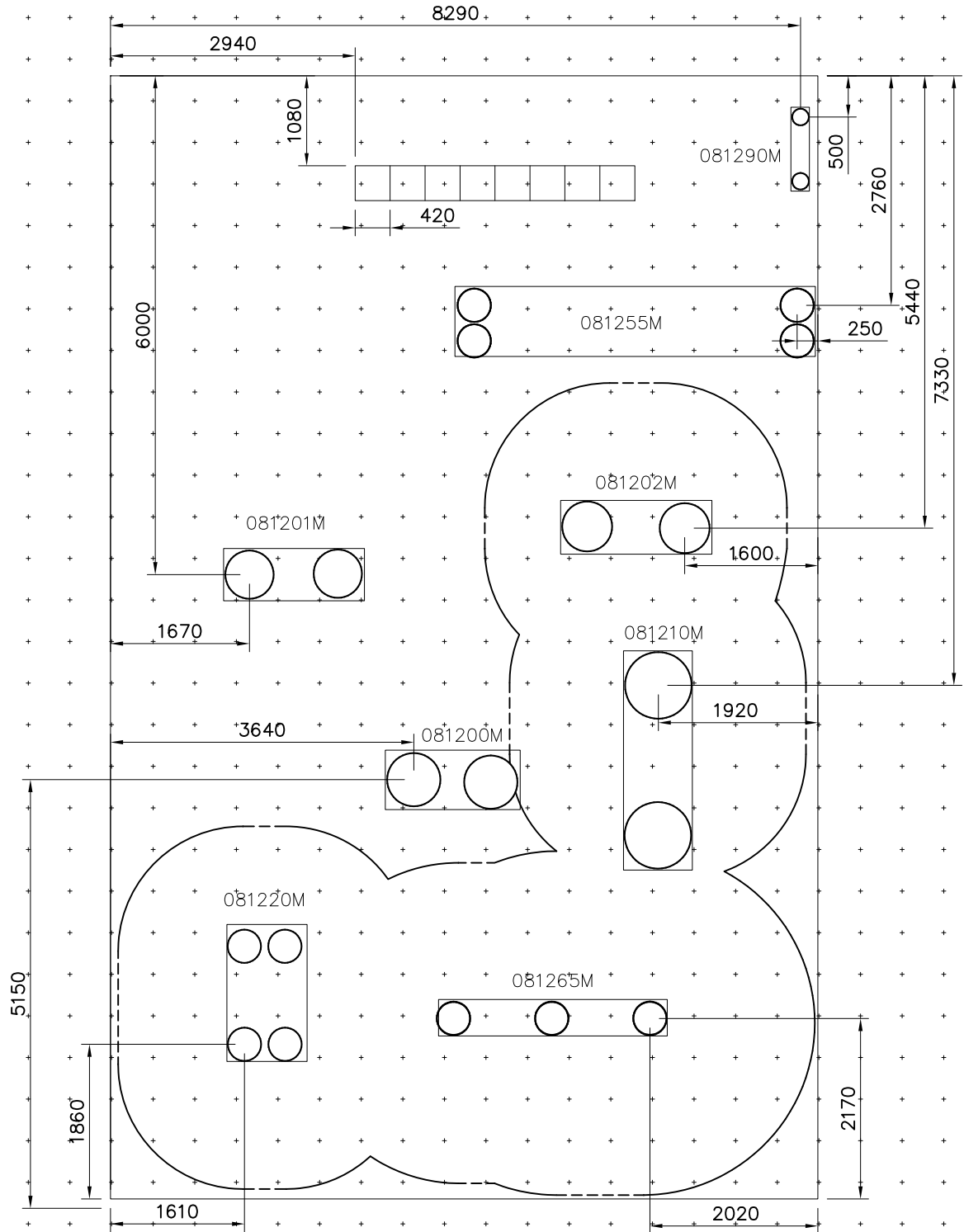
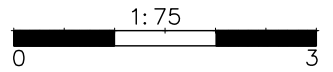
ASENNUSOHJE
MONTERINGSANSVISNING
INSTALLATION INSTRUCTION
AUFBAUANLEITUNG
NOTICE D'INSTALLATION

DATE: 20.10.2015

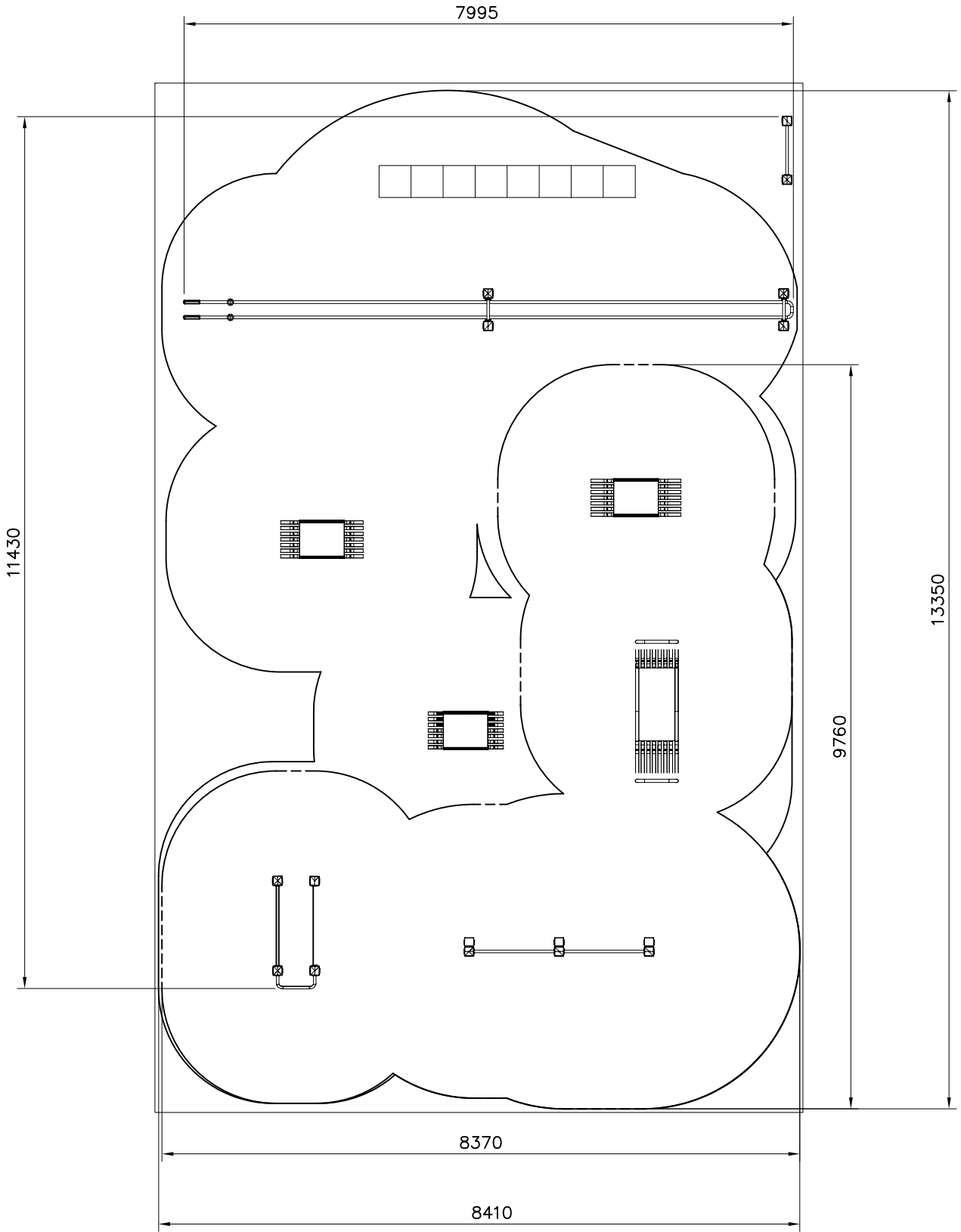
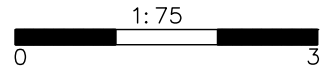
081321M

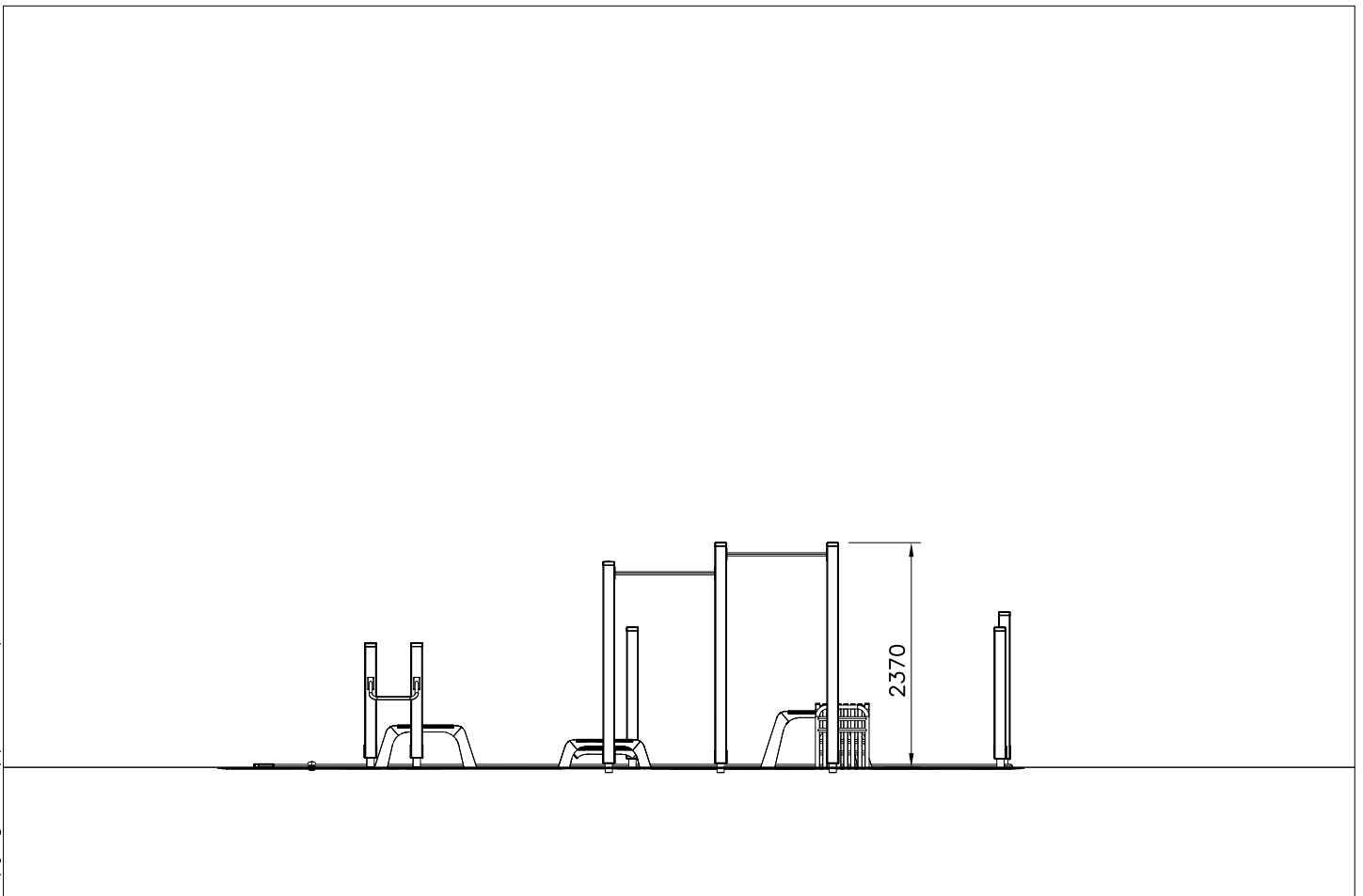
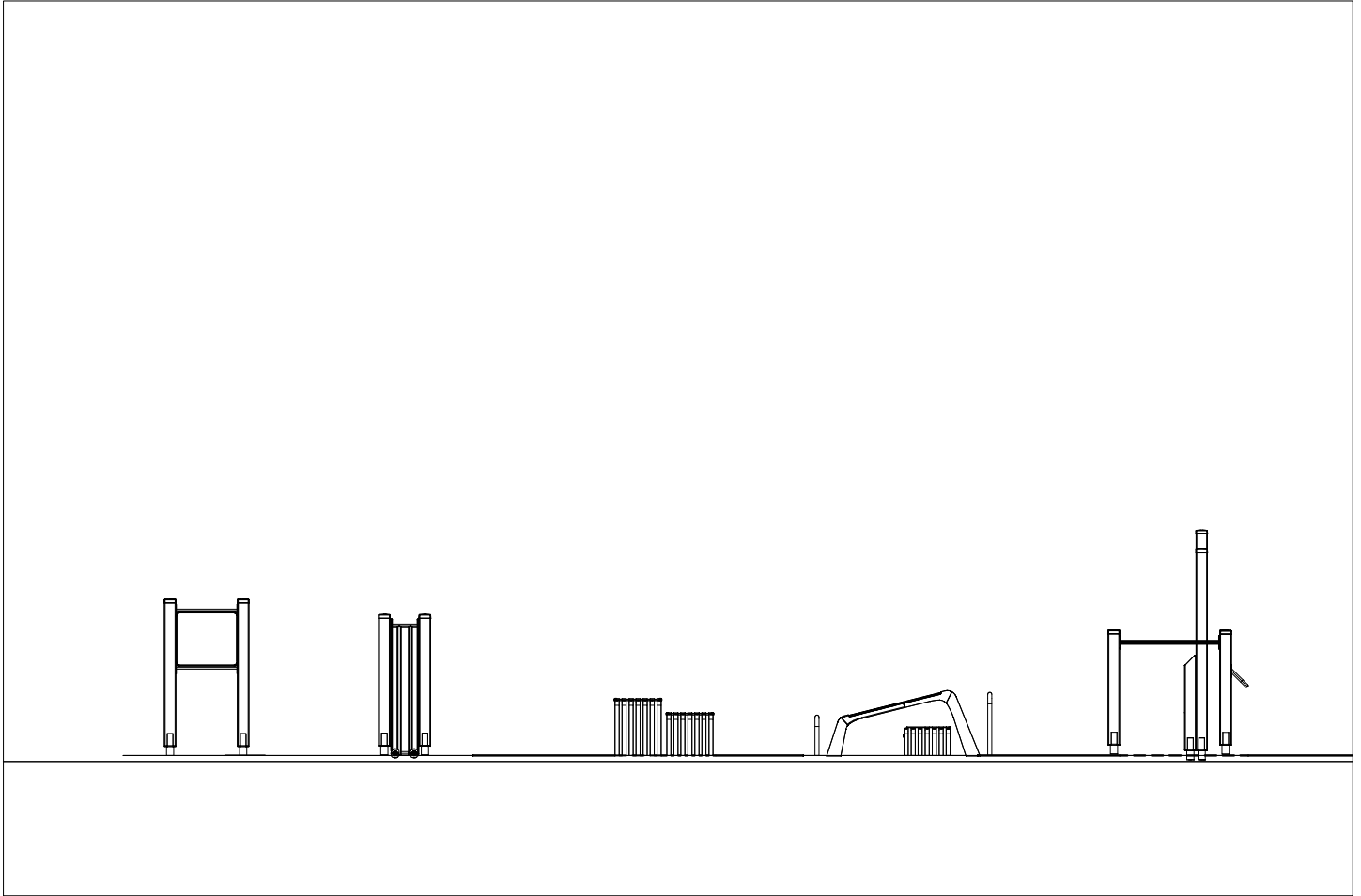


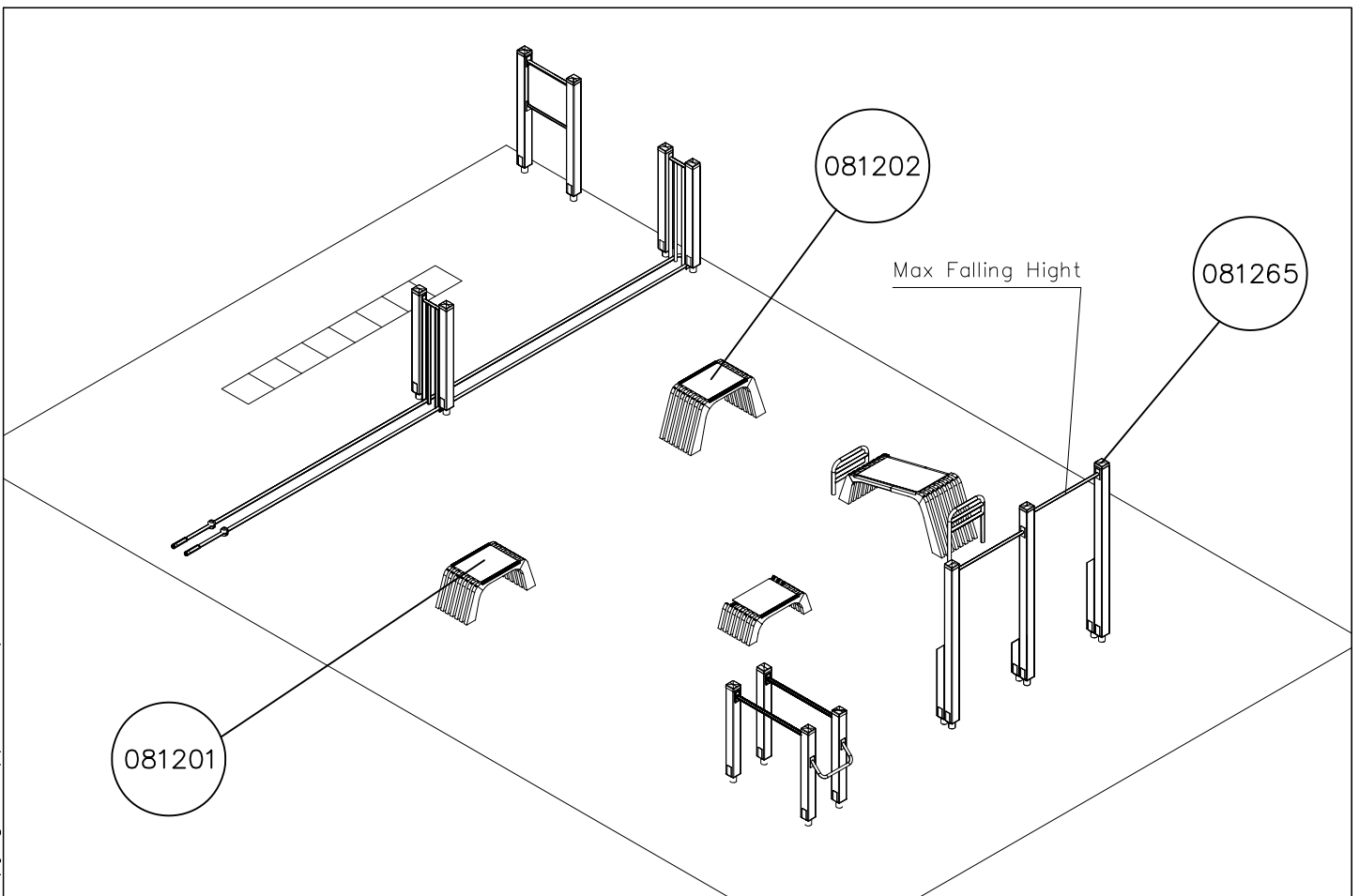
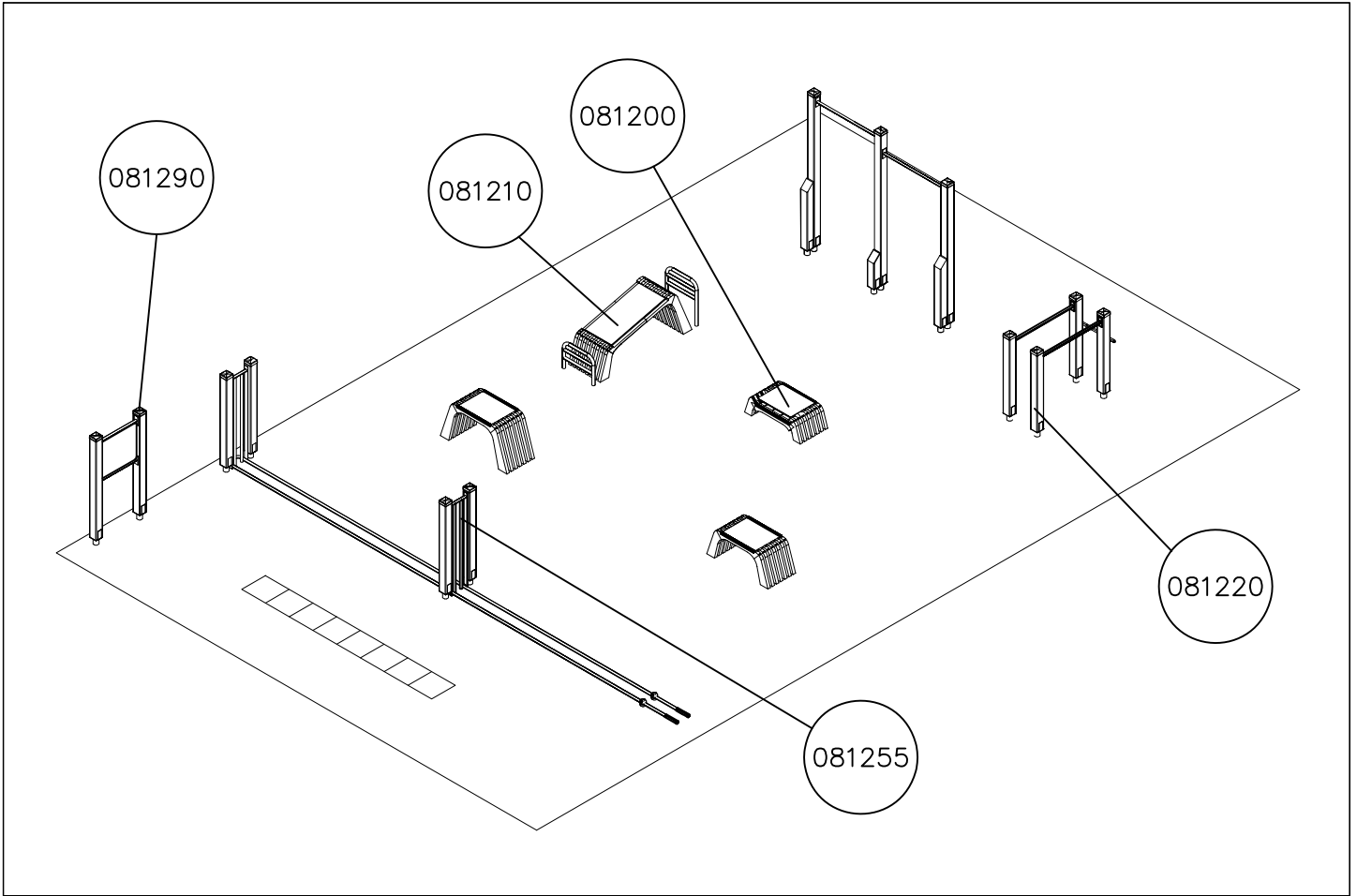
Impact Area 50,4 m²
Grid size = 500 mm

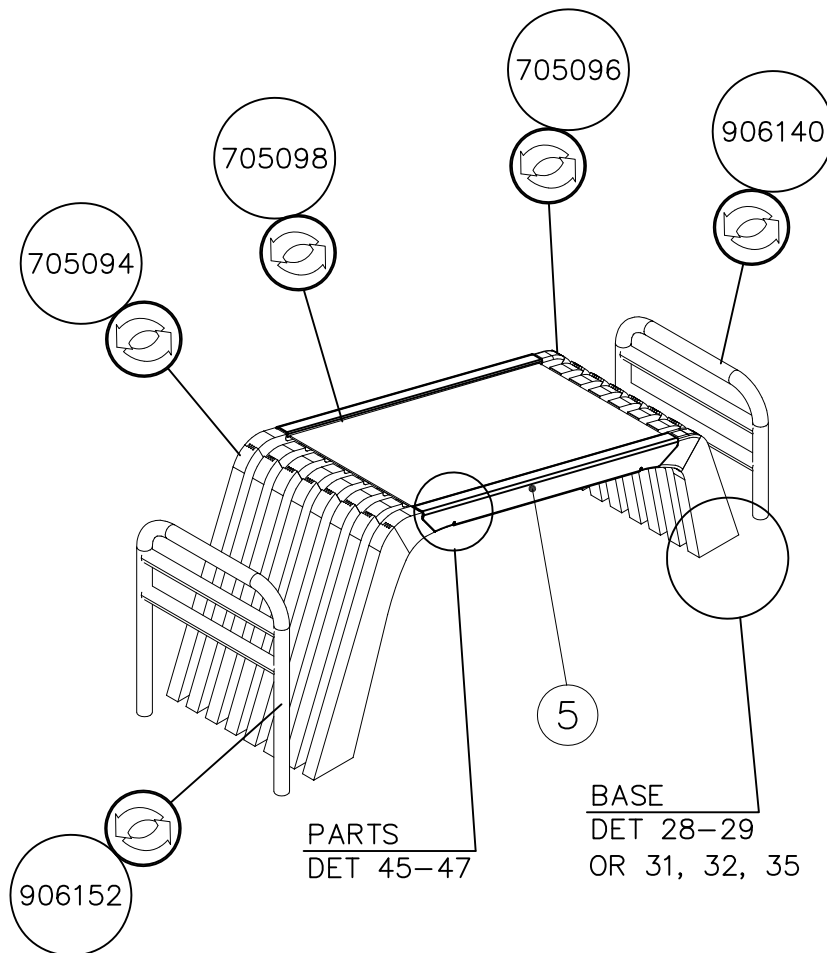


— Area of Movement 97.8 m²
— Impact Area 50.4 m²
Max Falling Height = 2320 mm





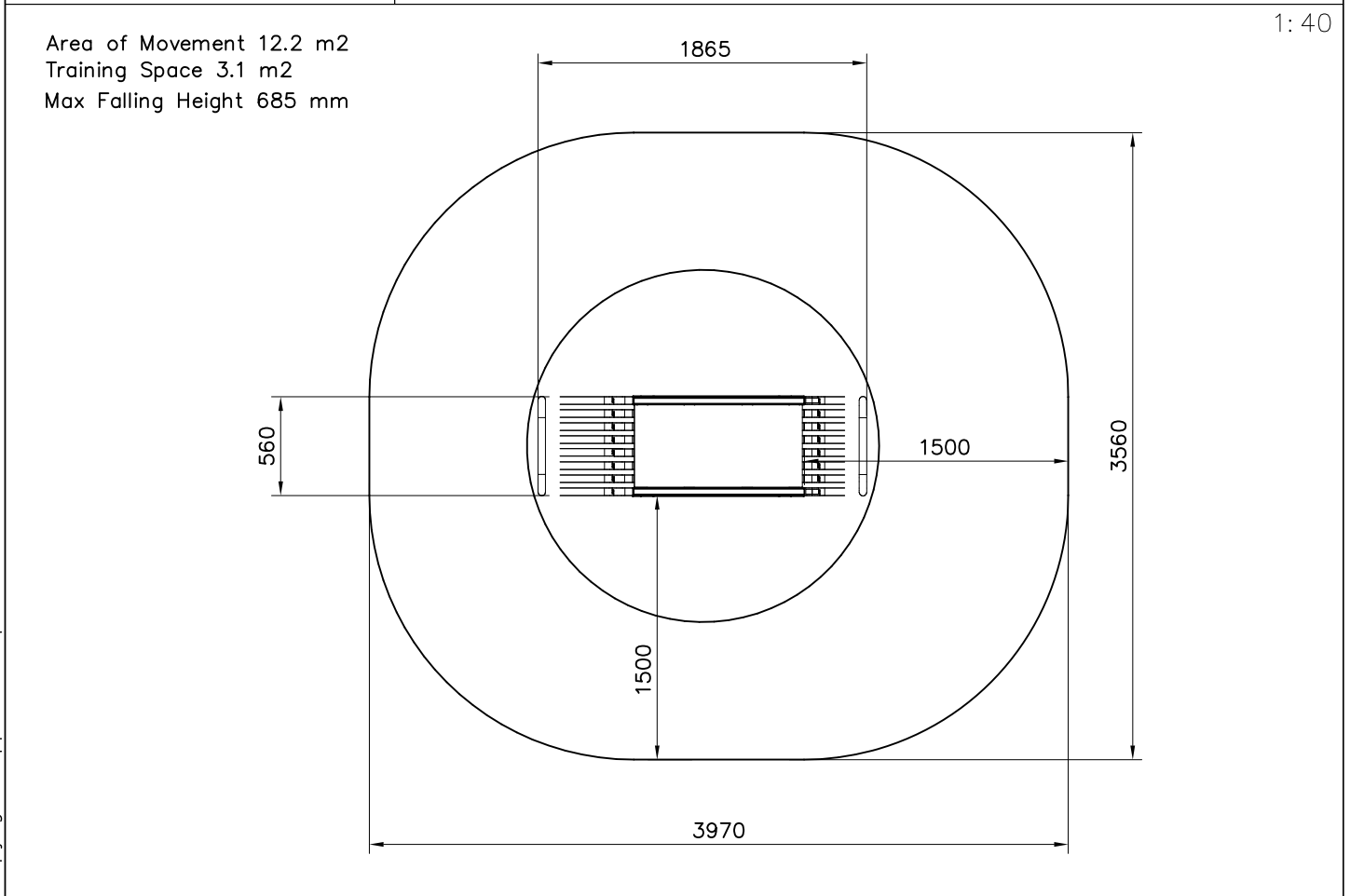
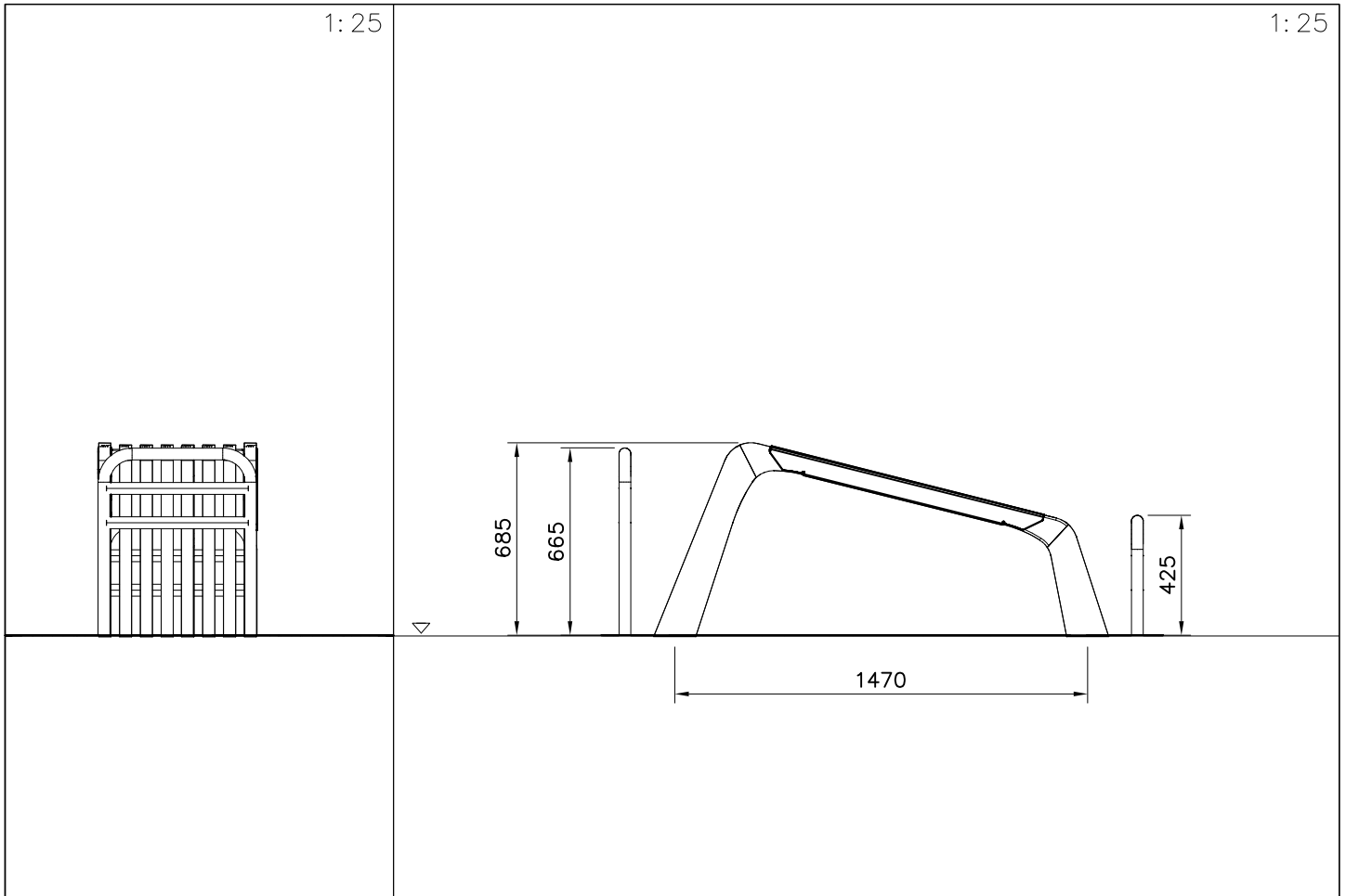


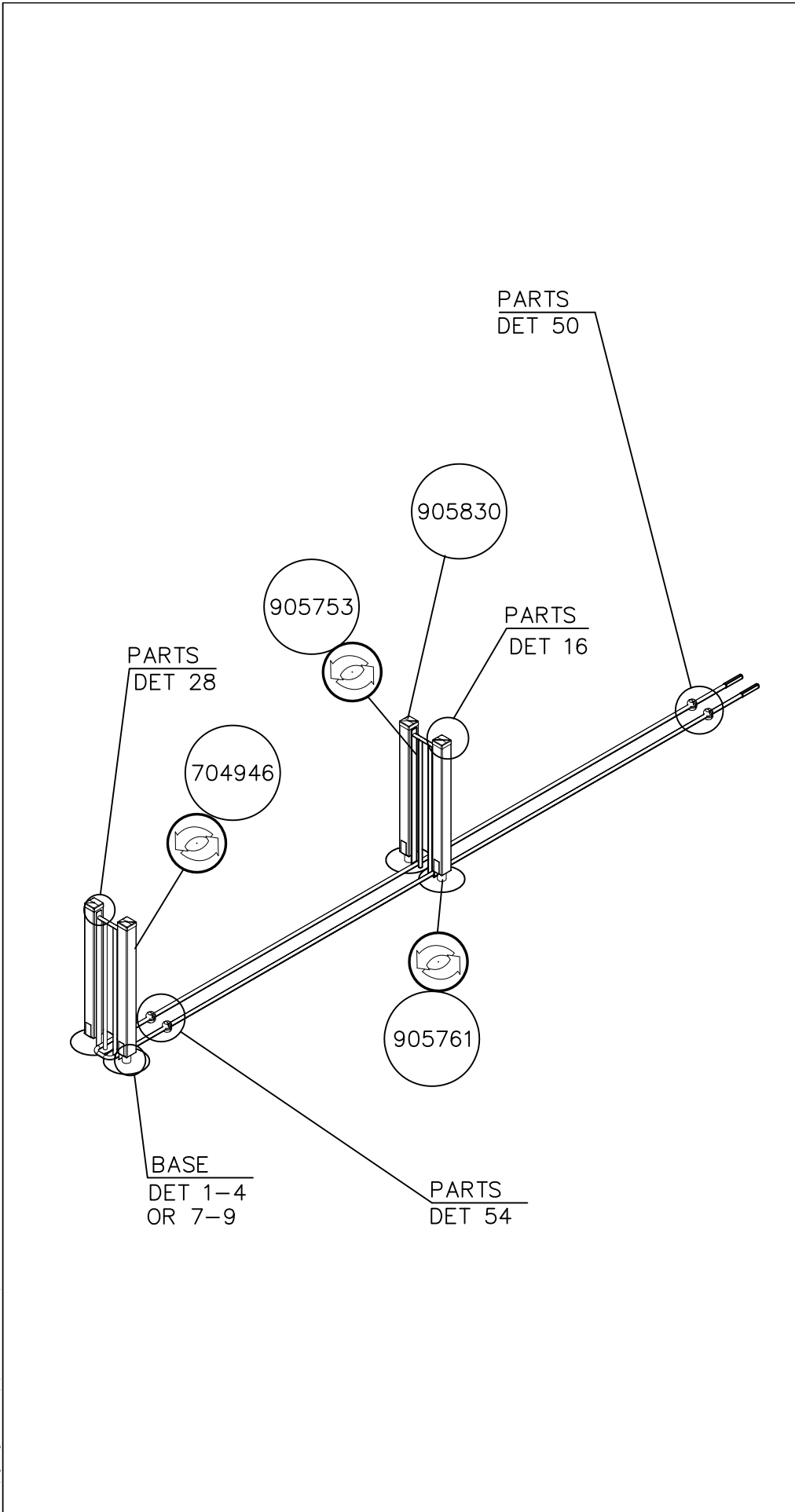


PARTS
DET 45-47

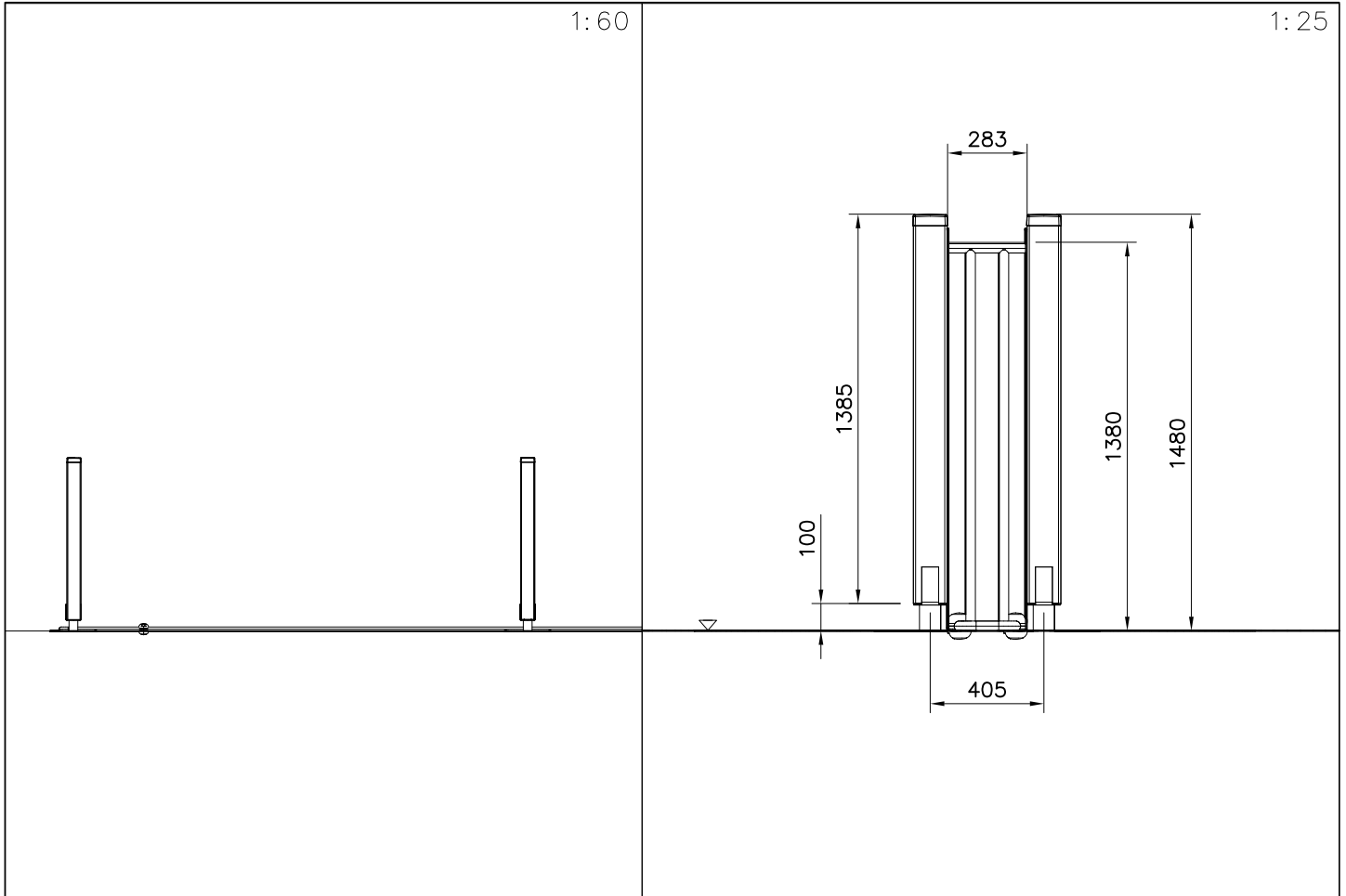
BASE
DET 28-29
OR 31, 32, 35

①	705094	PCS	②	705096	PCS
		1			1
	VATSA 700			VATSA 570	
③	705098	PCS	④	906147	PCS
		1			1
	16x471x1000			2x120x536	
⑤	906148	PCS	⑥	980102	PCS
		2			8
	2x1000			Ø5x40	
⑦	980106	PCS	⑧	980128	PCS
		6			16
	Ø5x40			Ø7x40	
⑨	906140	PCS	⑩	906152	PCS
		1			1
	565x480			565x720	
⑪	706023	PCS	⑫	980114	PCS
		1			4
				Ø4x20	
⑬	902272	PCS	⑭	909519	PCS
		4			4
	90x90x450			50x380x380	
				M10	
⑮	909638	PCS	⑯	909639	PCS
		56			28
	Ø20/10,5			M10x25	
			⑰	906630	PCS
					6
				8x60	



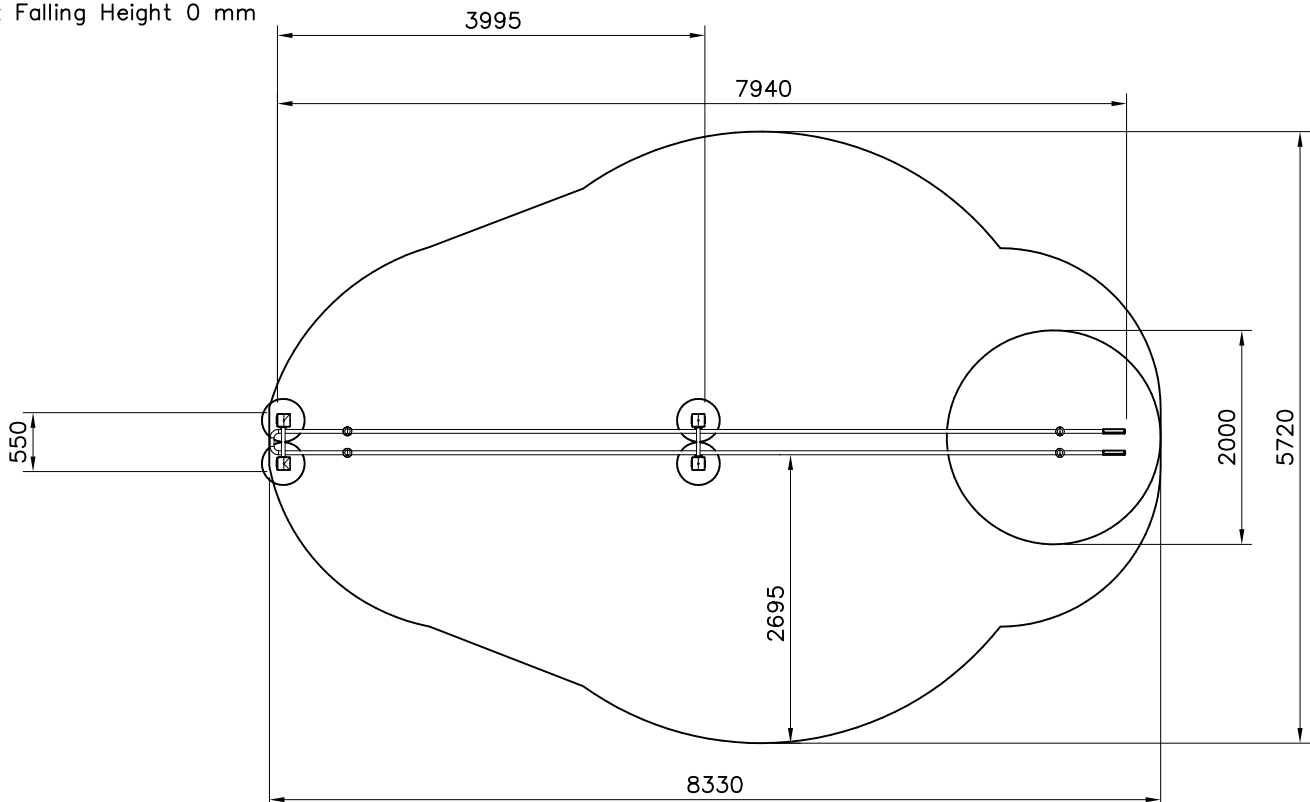


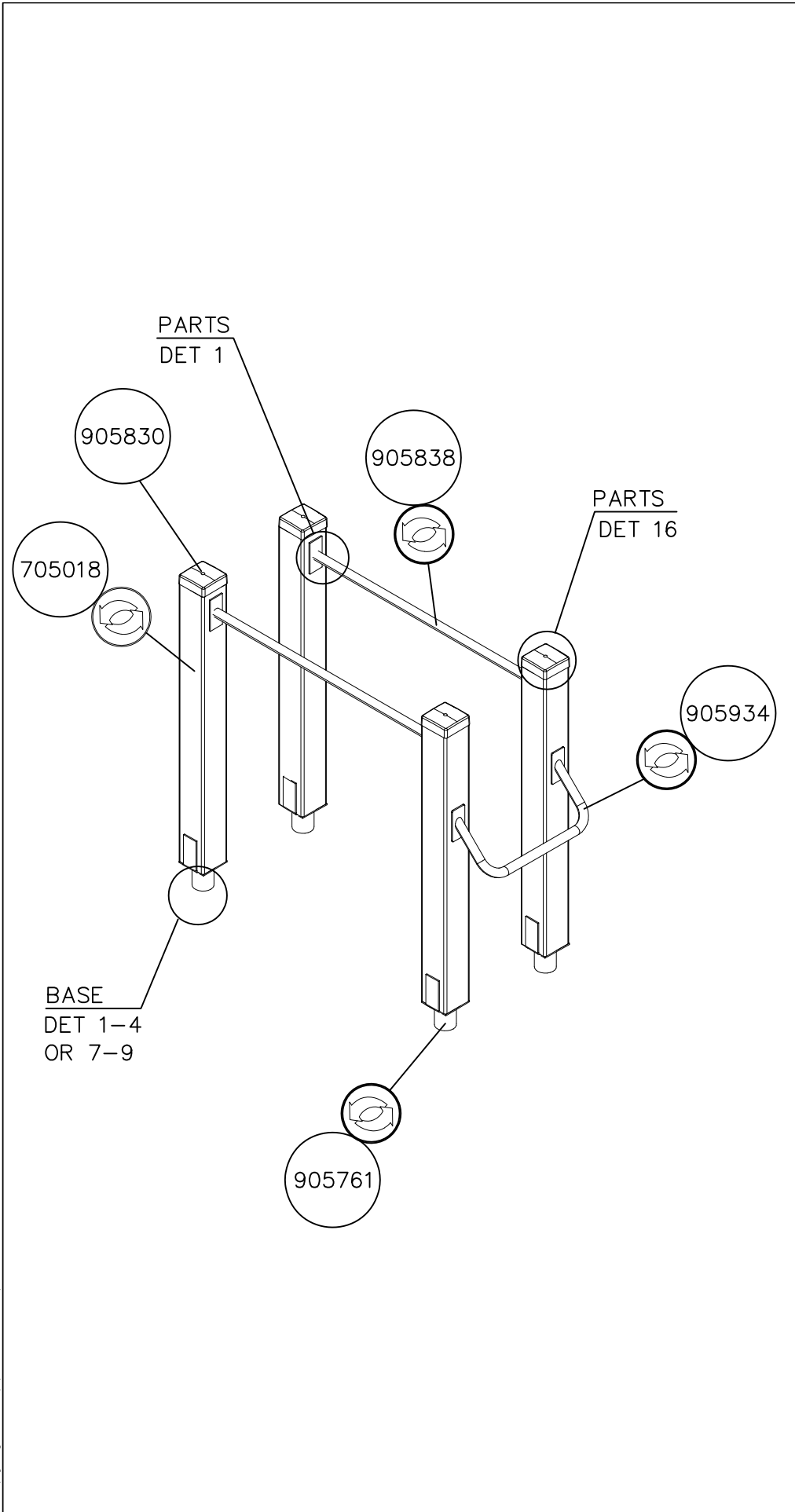
①	706032	PCS	②	705158	PCS
		1			1
				∅37x16000	
③	704946	PCS	④	980114	PCS
		4			4
	120x120x1350			∅4x20	
⑤	905761	PCS	⑥	905830	PCS
		4			4
	120x120x700			123x123x40	
⑦	980104	PCS	⑧	980123	PCS
		4			24
	∅5x90			∅7x60	
⑨	905753	PCS	⑩	905104	PCS
		2			16
	283x1477			M10	
⑪	980100	PCS	⑫	909256	PCS
		16			24
	∅5x60			∅16/8.4	
		PCS			PCS
		PCS			PCS

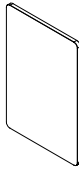




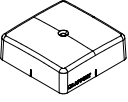
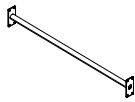
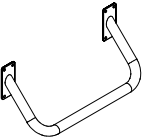

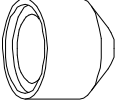



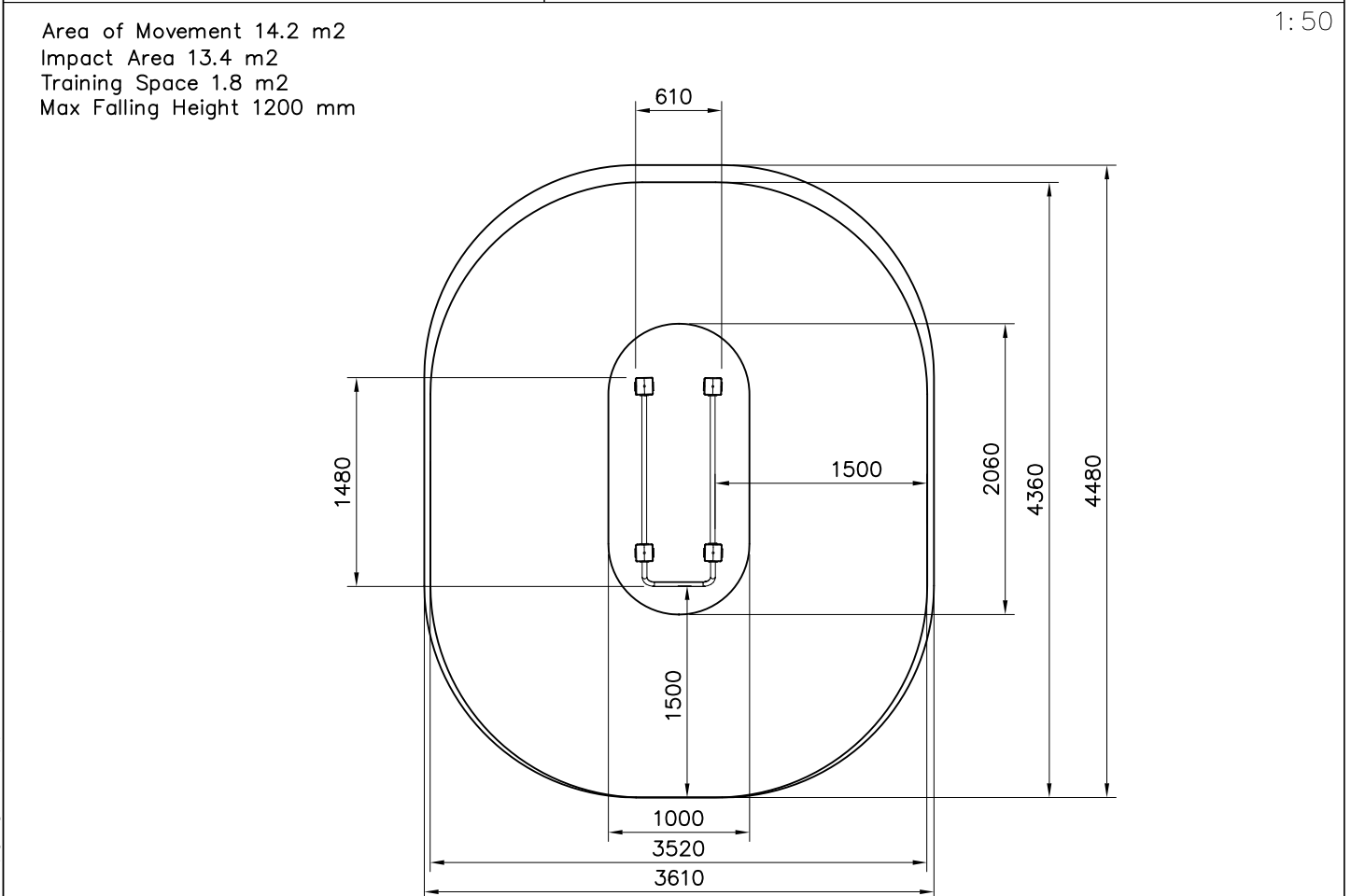
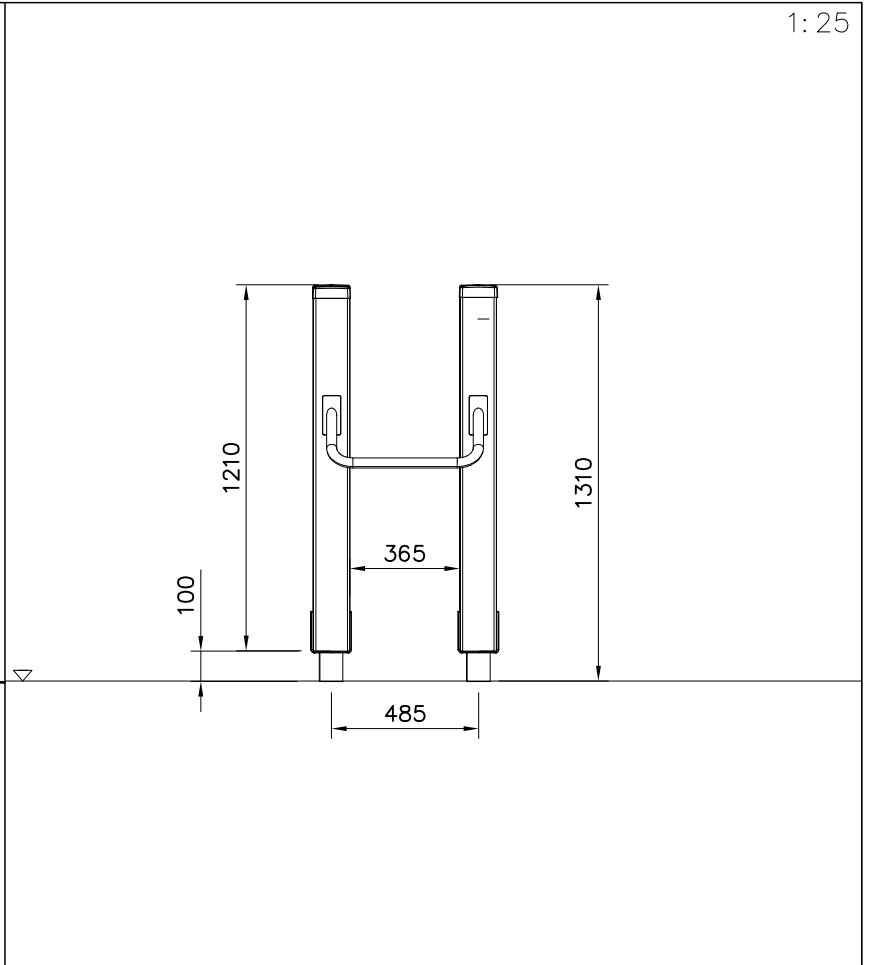
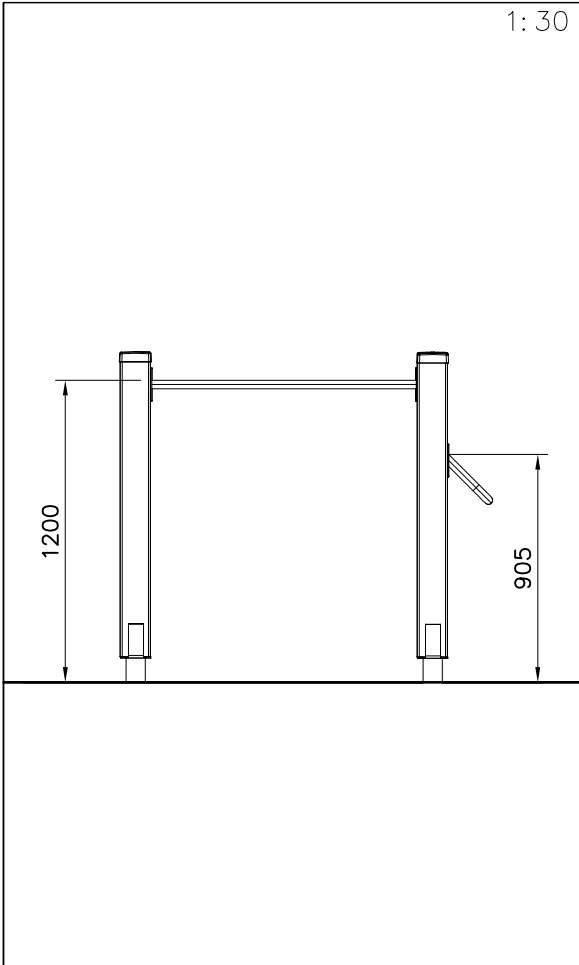
Area of Movement 34.5 m²
Training Space 3.1 m²
Max Falling Height 0 mm

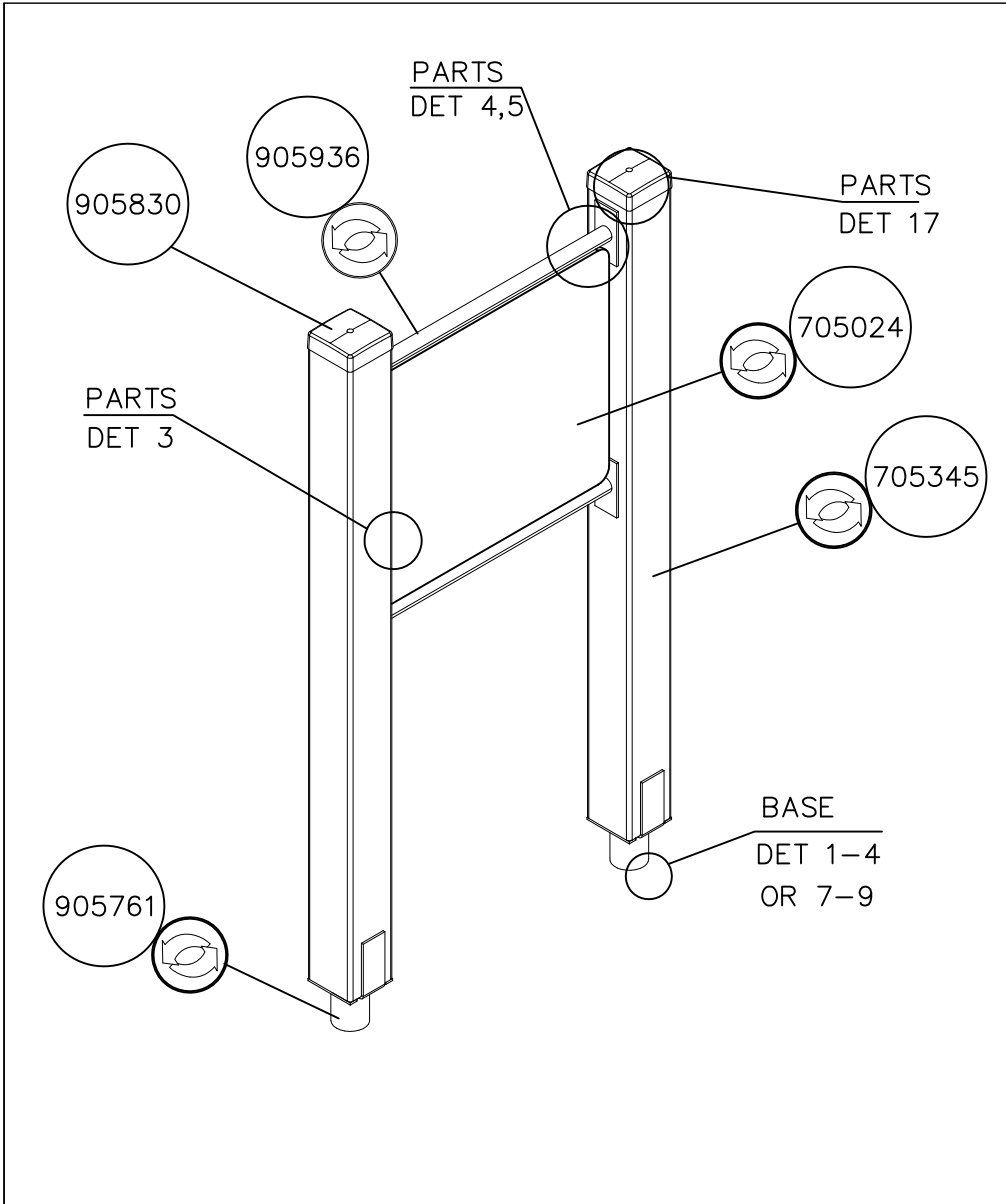
1:71





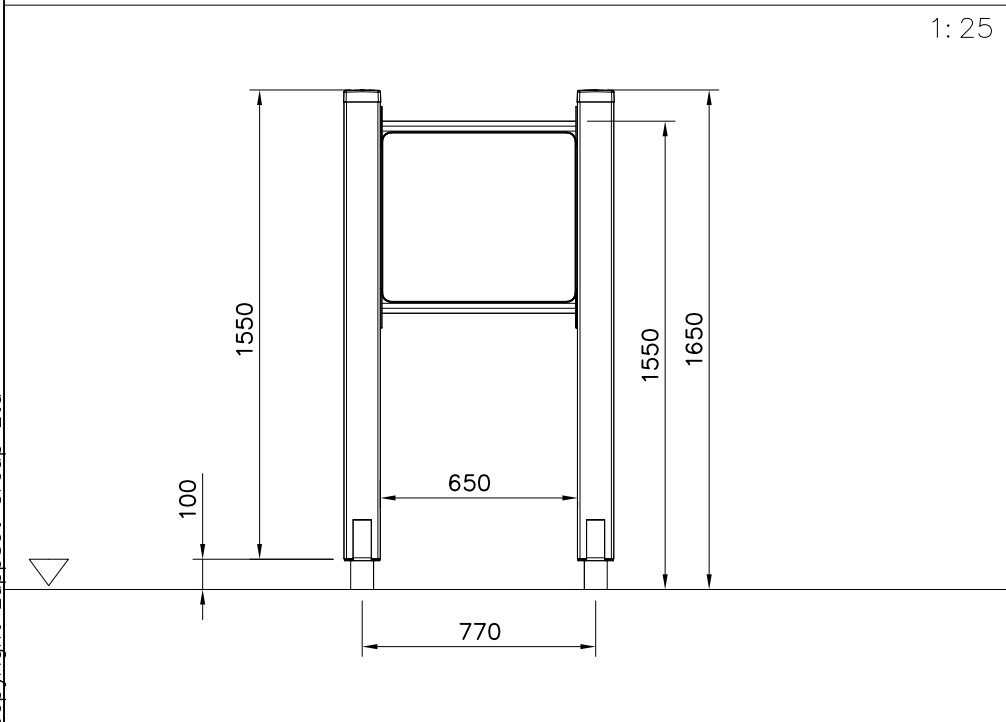
①	706024	PCS	②	705018	PCS
		1			4
				120x120x1170	
③	980114	PCS	④	980123	PCS
		4			40
	Ø4x20			Ø7x60	
⑤	905761	PCS	⑥	905830	PCS
		4			4
	120x120x700			123x123x40	
⑦	905838	PCS	⑧	905934	PCS
		2			1
	L=1060			L=485	
⑨	980104	PCS	⑩	905104	PCS
		4			16
	Ø5x90			M10	
⑪	909256	PCS			PCS
		40			
	Ø16/8.4				
		PCS			PCS
		PCS			PCS

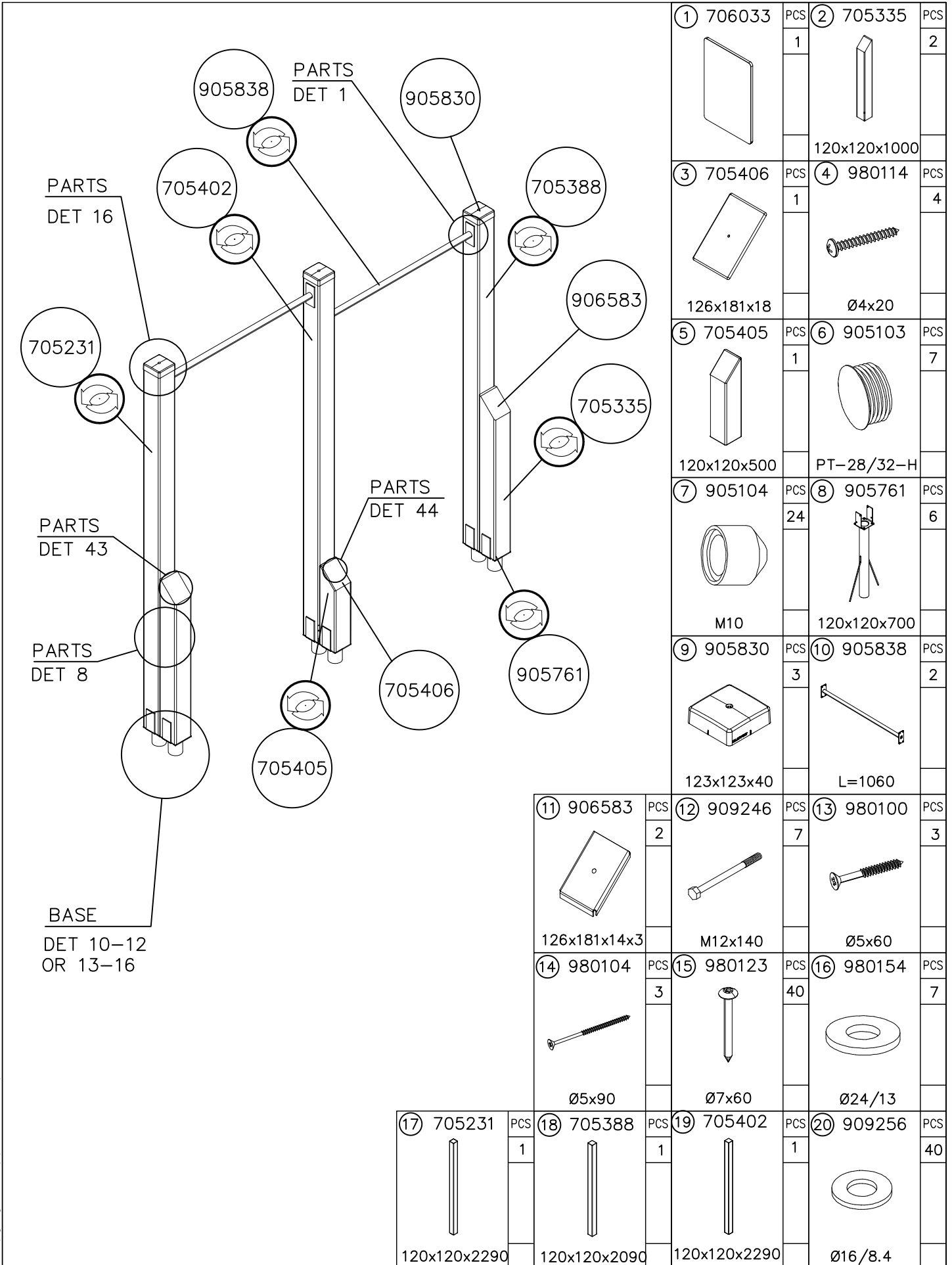




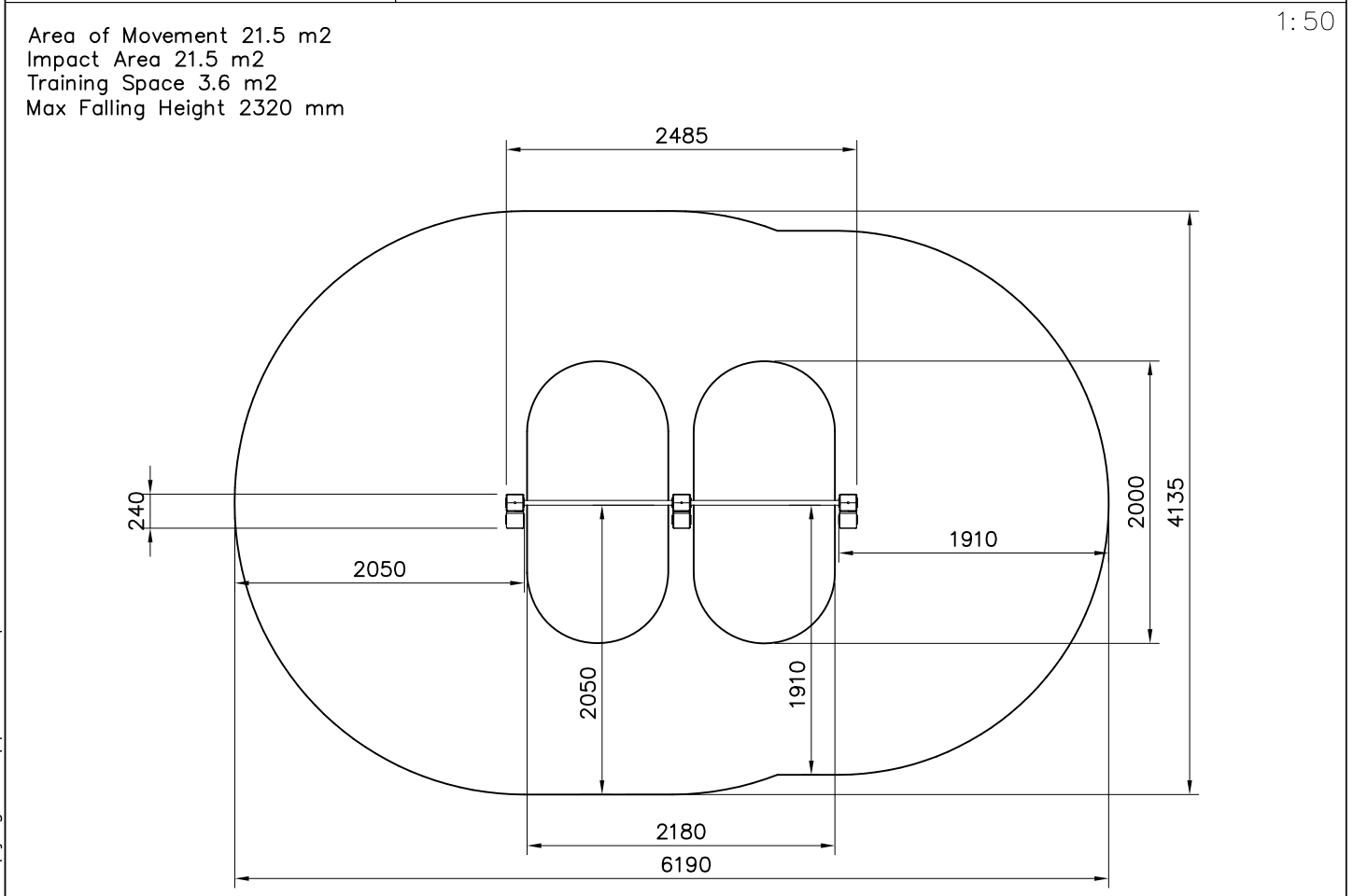
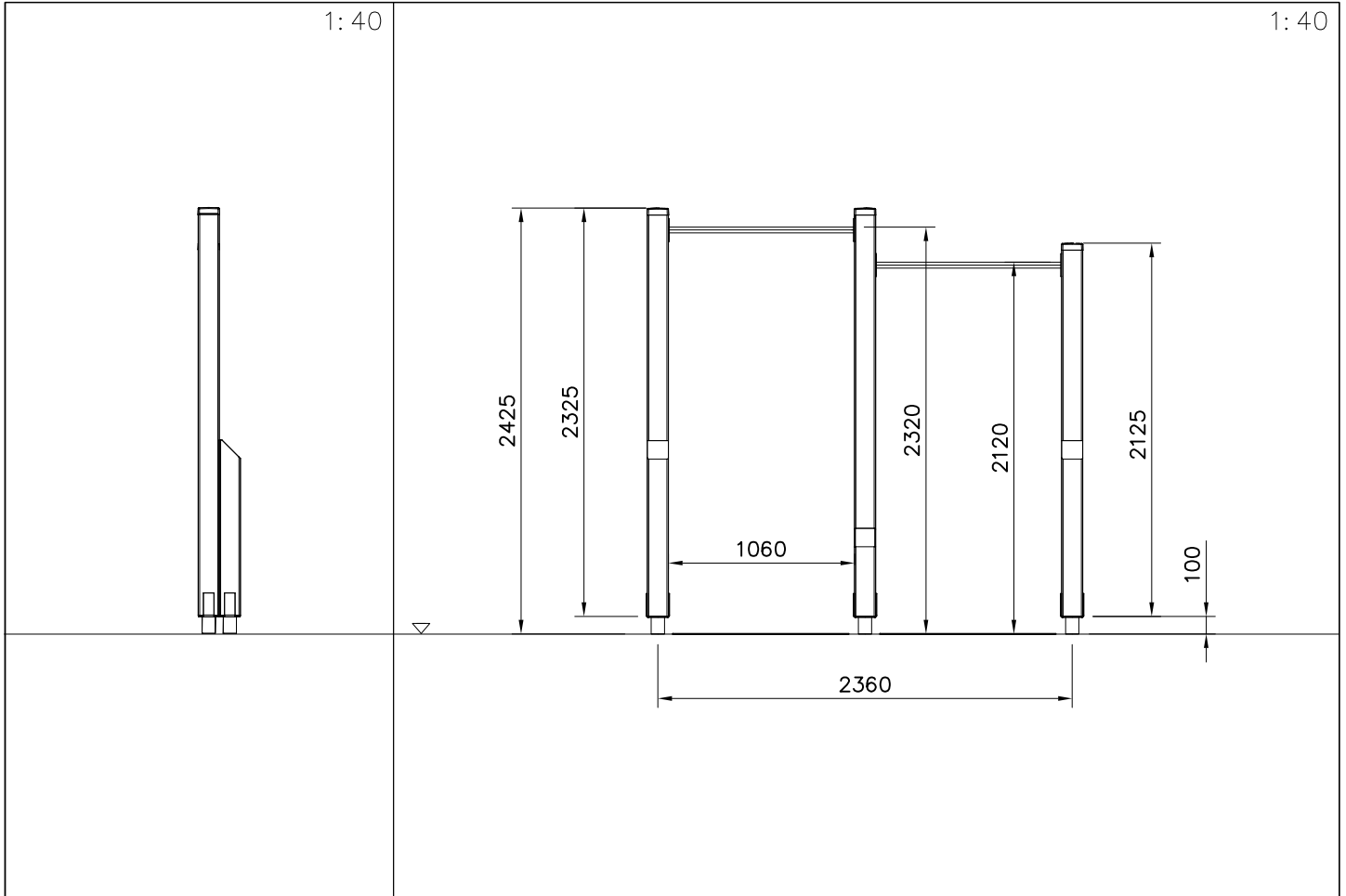
① 705024	PCS	② 705345	PCS
	1		2
15x640x560		120x120x1520	
③ 909633	PCS	④ 905104	PCS
	8		8
M8		M10	
⑤ 905761	PCS	⑥ 905830	PCS
	2		2
120x120x700		123x123x40	
⑦ 905936	PCS	⑧ 909256	PCS
	2		28
L=652		Ø16/8.4x1.6	
⑨ 909855	PCS	⑩ 980104	PCS
	8		2
M8x35		Ø5x90	
⑪ 980123	PCS		PCS
	20		
Ø7x60			
⑫ 901899 Optio	PCS		PCS
	8		
M8x45			
	PCS		PCS

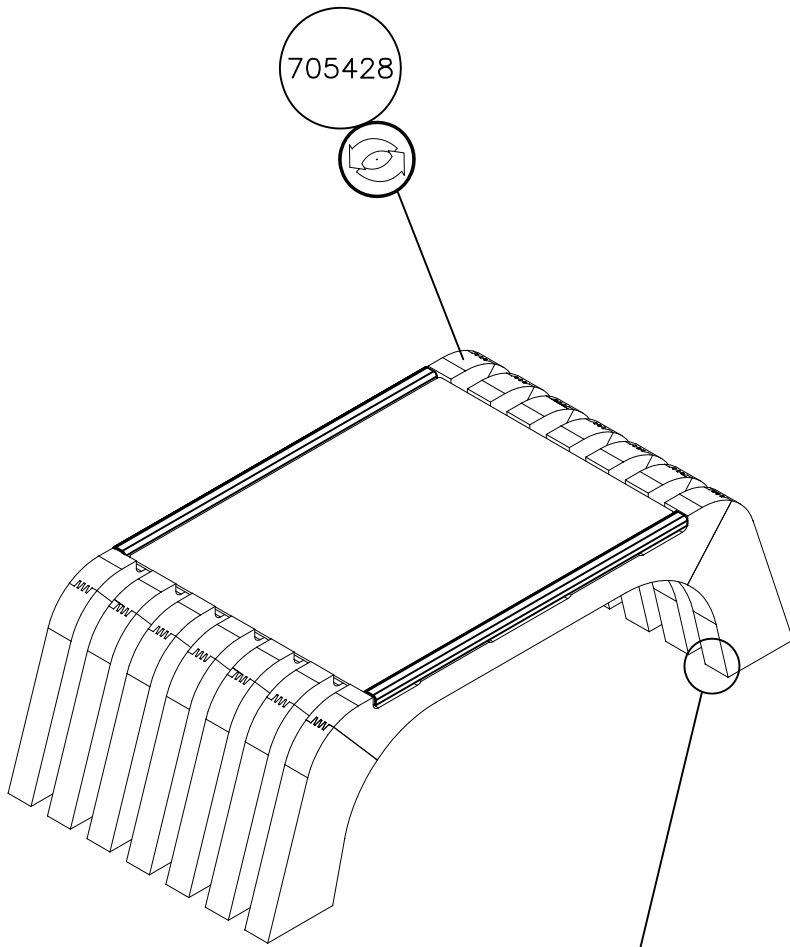
1: 25





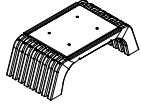
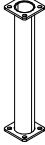
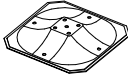
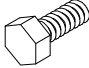




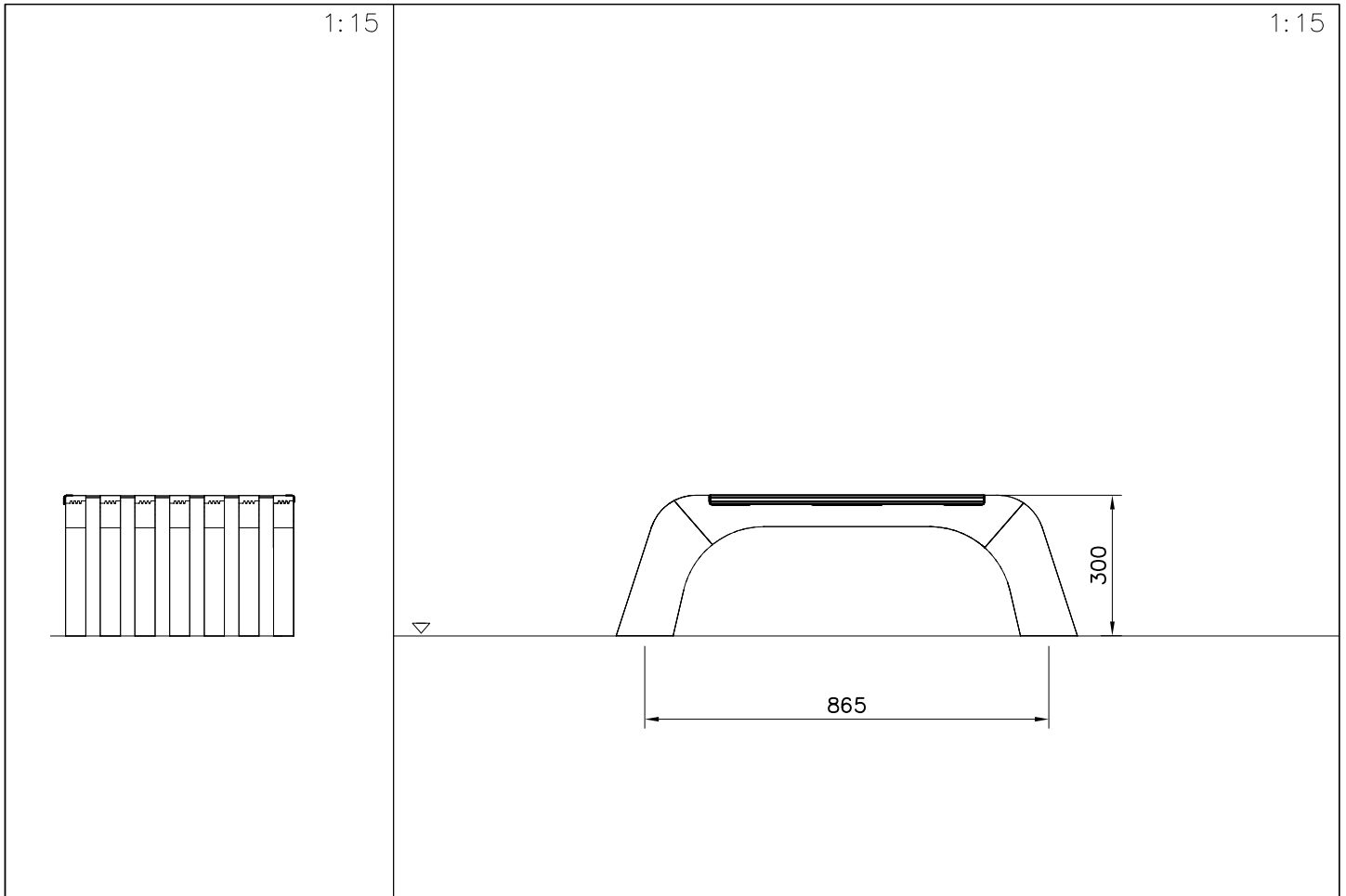
①	706033	PCS	②	705335	PCS
		1			2
				120x120x1000	
③	705406	PCS	④	980114	PCS
		1			4
	126x181x18			Ø4x20	
⑤	705405	PCS	⑥	905103	PCS
		1			7
	120x120x500			PT-28/32-H	
⑦	905104	PCS	⑧	905761	PCS
		24			6
	M10			120x120x700	
⑨	905830	PCS	⑩	905838	PCS
		3			2
	123x123x40			L=1060	
⑪	906583	PCS	⑫	909246	PCS
		2			7
	126x181x14x3			M12x140	
				Ø5x60	
⑬	980100	PCS	⑭	980104	PCS
		3			3
	Ø5x60			Ø5x90	
⑮	980123	PCS	⑯	705402	PCS
		40			1
	Ø7x60			120x120x2290	
⑰	705231	PCS	⑳	909256	PCS
		1			40
	120x120x2290			Ø16/8.4	
⑱	705388	PCS			
		1			
	120x120x2090				





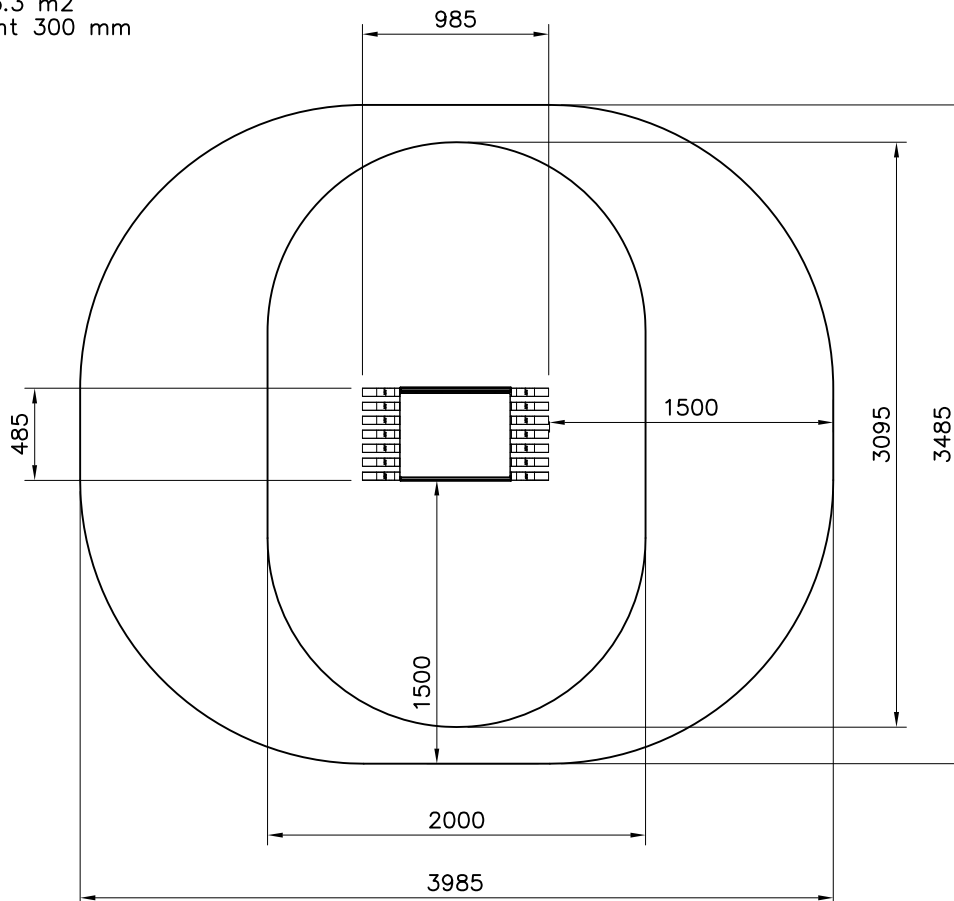
BASE
DET 22-24
OR 25-27

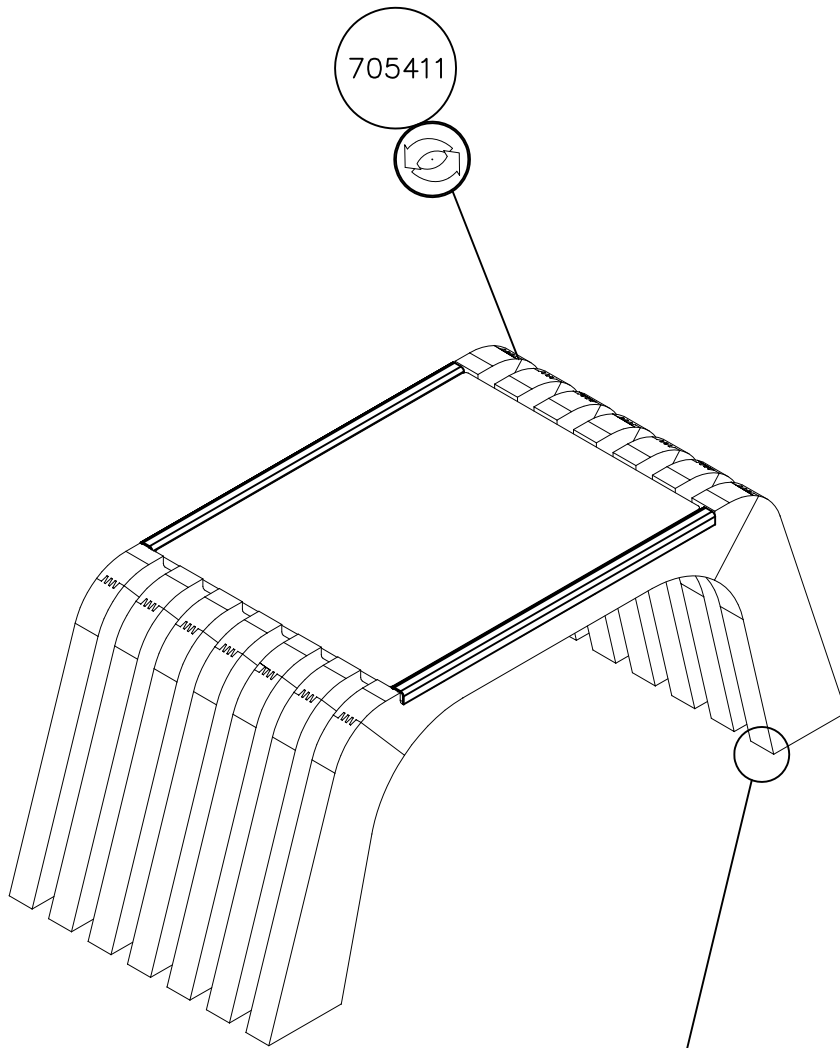
① 706017	PCS	② 980114	PCS
	1		4
		Ø4x20	
③ 705428	PCS	④ 902272	PCS
	1		4
		90x90x450	
⑤ 909519	PCS	⑥ 909639	PCS
	4		8
50x380x380		M10x25	
⑦ 909638	PCS	⑧ 909637	PCS
	16		8
Ø20/10.5		M10	
	PCS		PCS
	PCS		PCS
	PCS		PCS
	PCS		PCS



Area of Movement 12 m²
Training Space 5.3 m²
Max Falling Height 300 mm

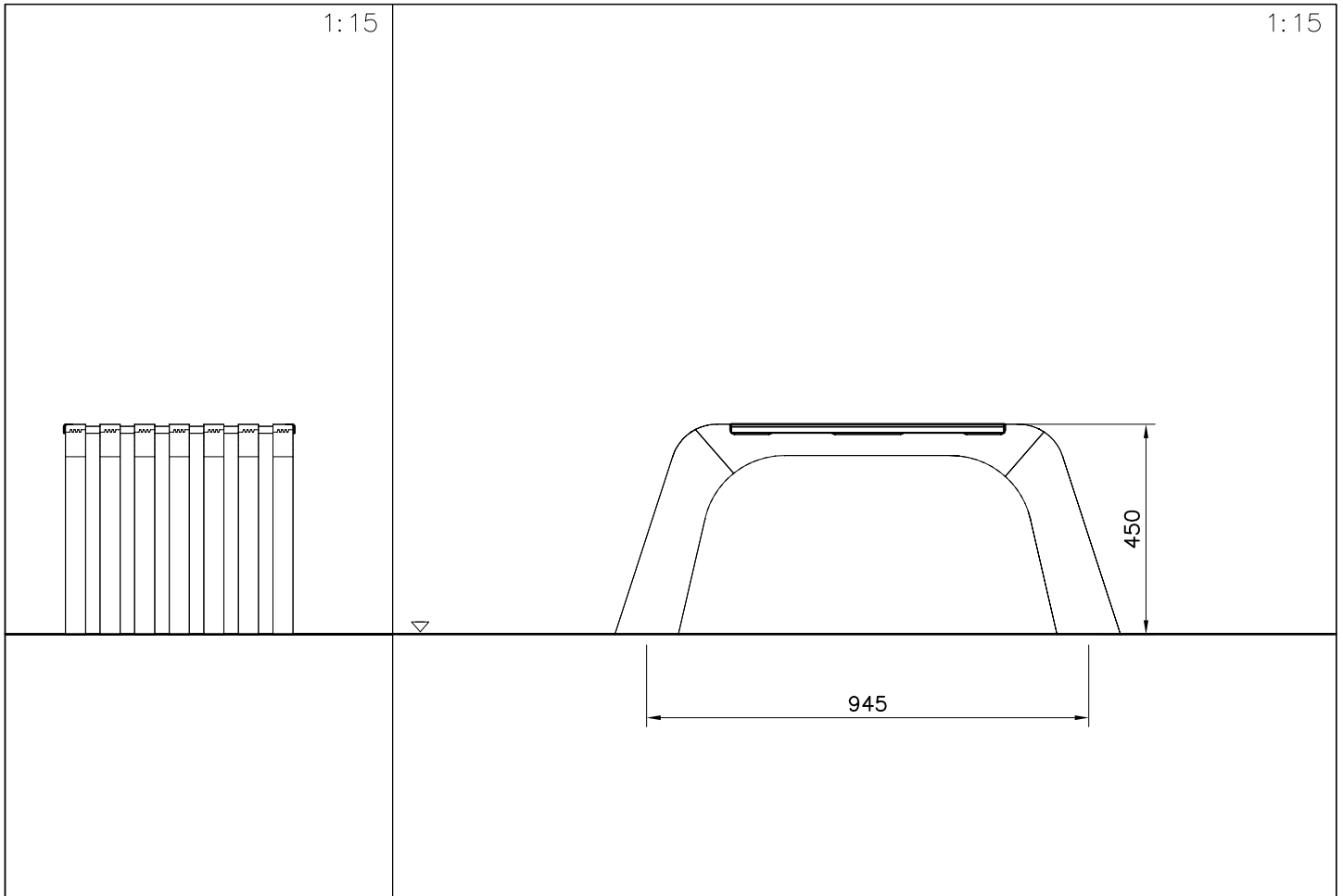
1:40





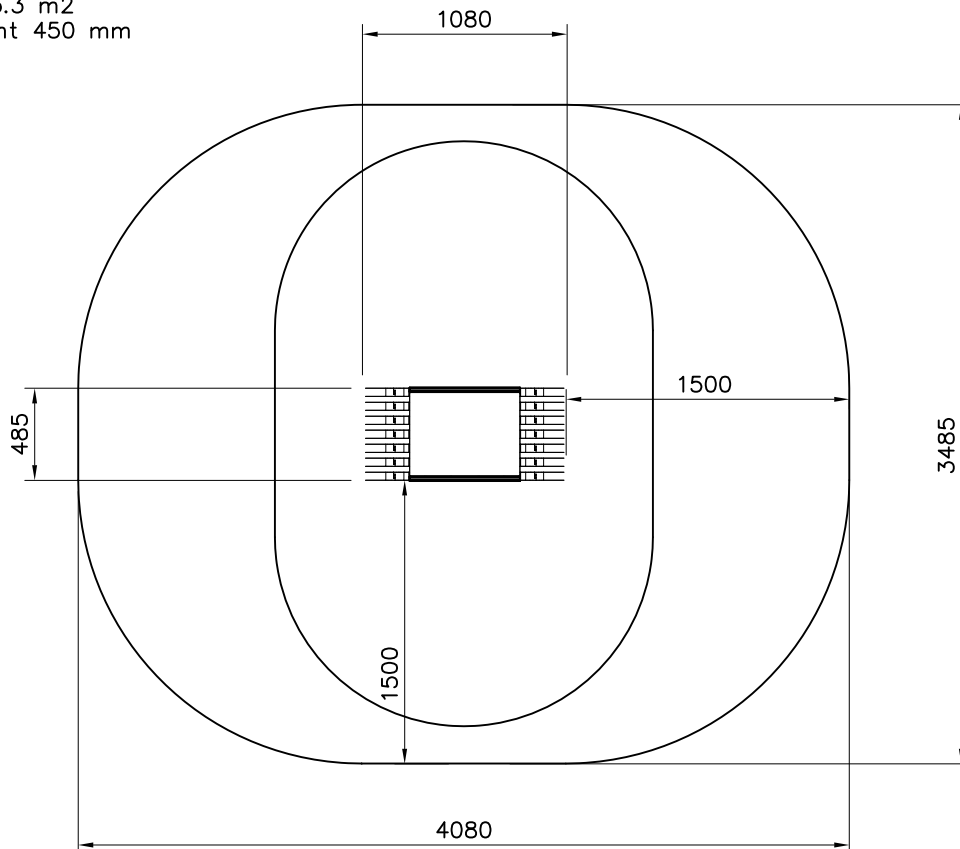
BASE
DET 22-24
OR 25-27

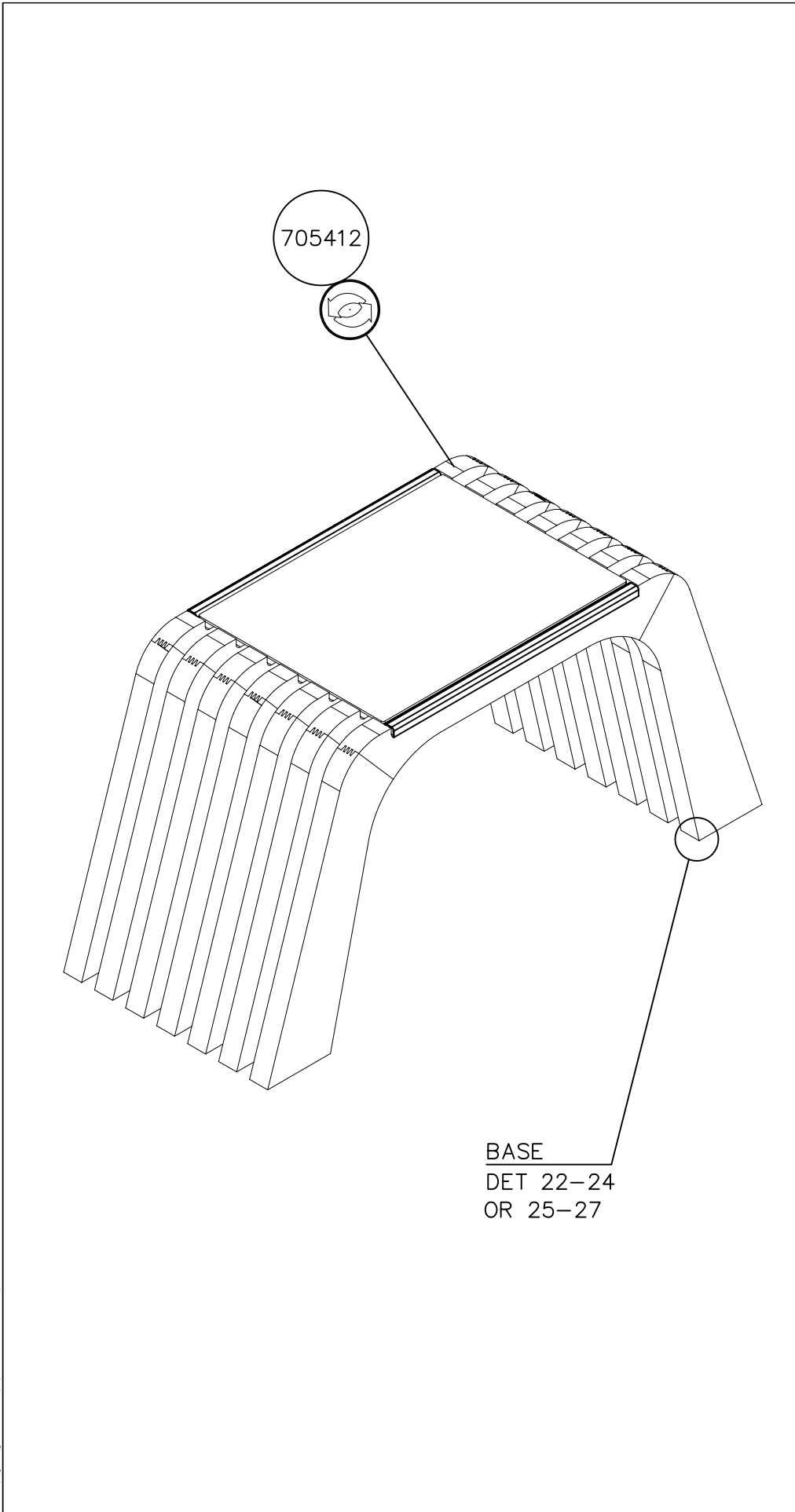
①	706018	PCS	②	980114	PCS
		1			4
				Ø4x20	
③	705411	PCS	④	902272	PCS
		1			4
				90x90x450	
⑤	909519	PCS	⑥	909639	PCS
		4			8
	50x380x380			M10x25	
⑦	909638	PCS	⑧	909637	PCS
		16			8
	Ø20/10.5			M10	
		PCS			PCS
		PCS			PCS
		PCS			PCS
		PCS			PCS



Area of Movement 12.3 m²
Training Space 5.3 m²
Max Falling Height 450 mm

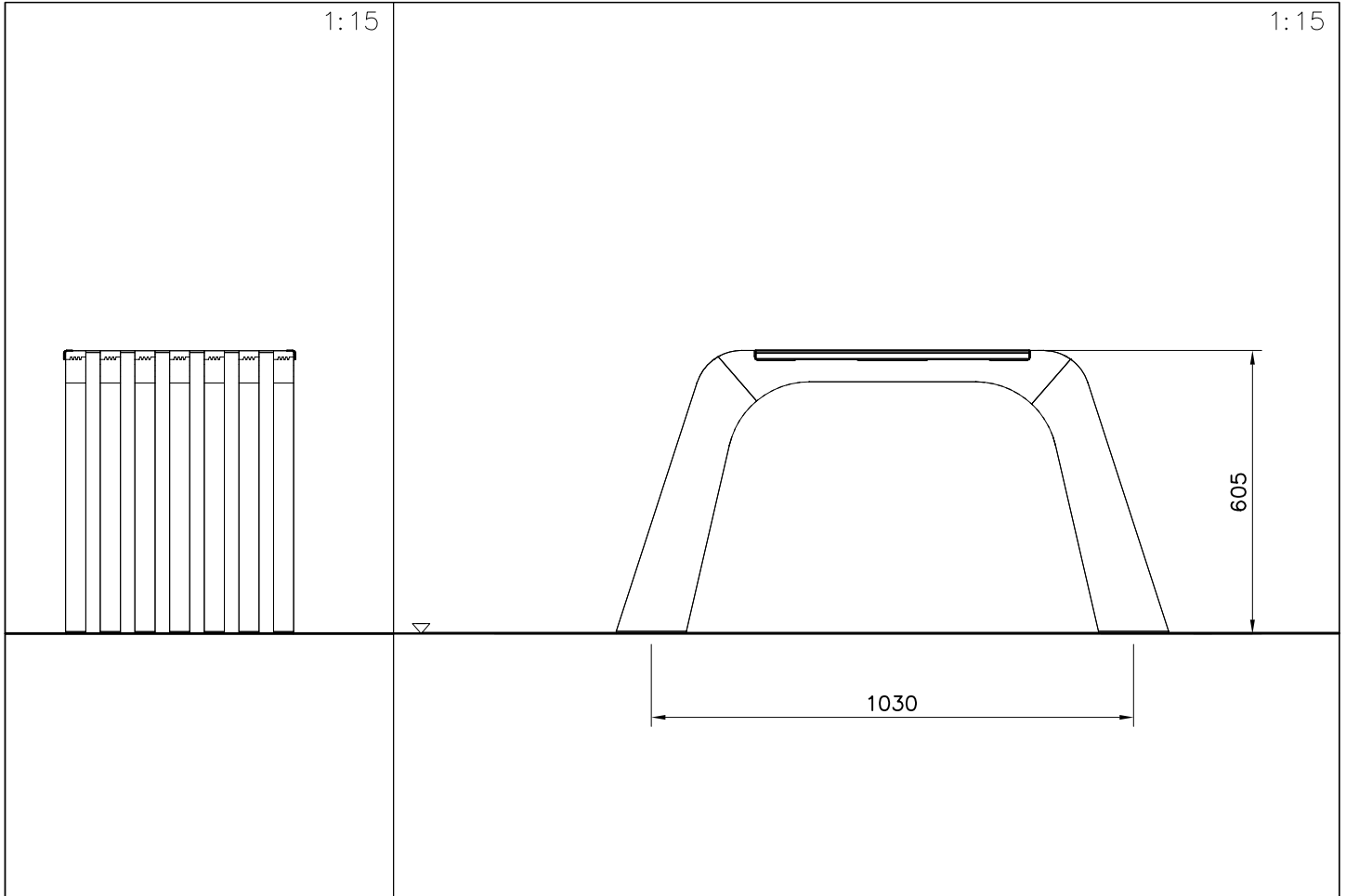
1:40





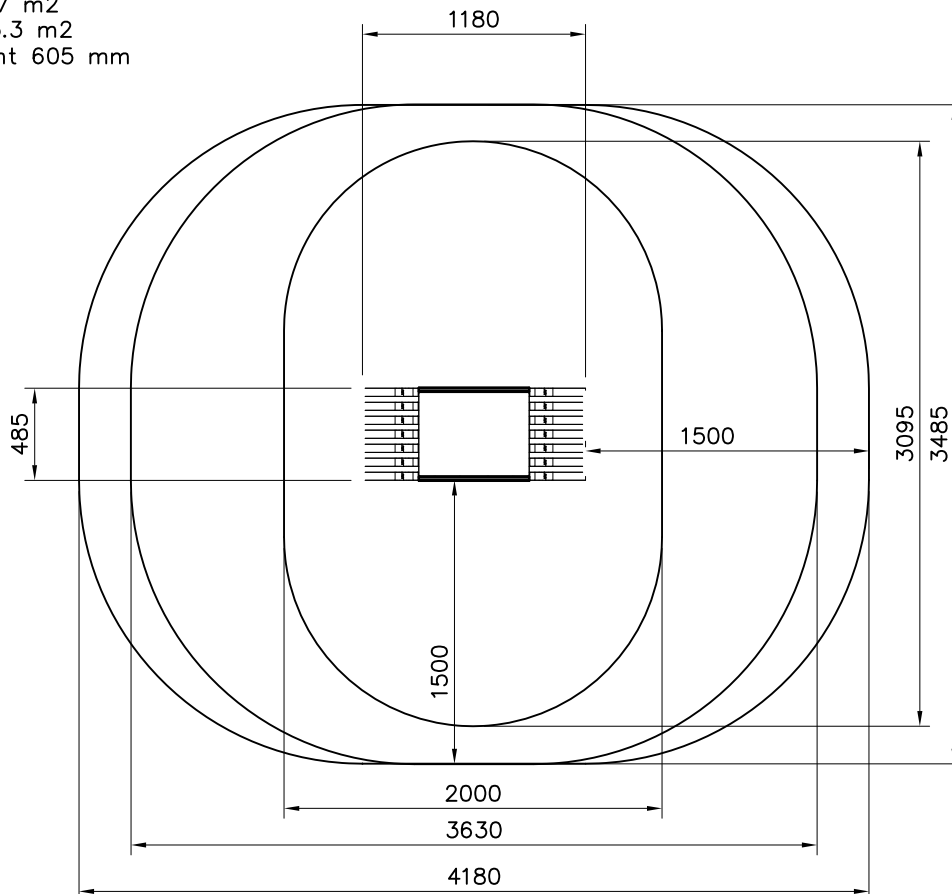
① 706019	PCS	② 980114	PCS
	1		4
		Ø4x20	
③ 705412	PCS	④ 902272	PCS
	1		4
		90x90x450	
⑤ 909519	PCS	⑥ 909639	PCS
	4		8
50x380x380		M10x25	
⑦ 909638	PCS	⑧ 909637	PCS
	16		8
Ø20/10.5		M10	
	PCS		PCS
	PCS		PCS
	PCS		PCS
	PCS		PCS

BASE
DET 22-24
OR 25-27



Area of Movement 12.6 m²
Impact Area 10.7 m²
Training Space 5.3 m²
Max Falling Height 605 mm

1:40



		
<p>$h < 600$</p> <p>Without movement and therefore without Impact Area</p>	<p>Totally hard surfaces.</p> <p>Note. Lappset does <u>not recommend</u> totally hard surfaces at all.</p>	<p>E.g. concrete or asphalt</p> 
<p>$h < 600$</p> <p>With movement e.g. rocking</p>	<p>Materials with very limited impact attenuating properties.</p>	<p>E.g. wood</p> 
<p>$h < 1000$</p>	<p>Materials with significant impact attenuating properties.</p>	<p>fine gravel 0–8 mm</p>  <p>grass</p>  <p>unsorted sand</p> 
<p>$h < 3000$</p>	<p>Loose fill material</p> <p>E.g. sand/gravel 0,25...8 mm D60/D10<3,0 Woodchips 5...30 mm bark 20...80 mm</p>	 <p>\underline{S} \underline{h}</p> <p>30 cm < 2,0 m</p> <p>40 cm < 3,0 m</p>
	<p>Syntethic granulates</p> <p>\underline{S} \underline{h}</p> <p>40 mm ~> 1,2...1,3 m</p> <p>50 mm ~> 1,5...1,7 m</p> <p>60 mm ~> 1,8...2,0 m</p> <p>70 mm ~> 2,1...2,5 m</p> <p>Note. For accurate values, see manufacturer's instructions.</p>	

REMOVE SAFETY SURFACE/SAND/GRAVEL
TO CHECK FOUNDATION

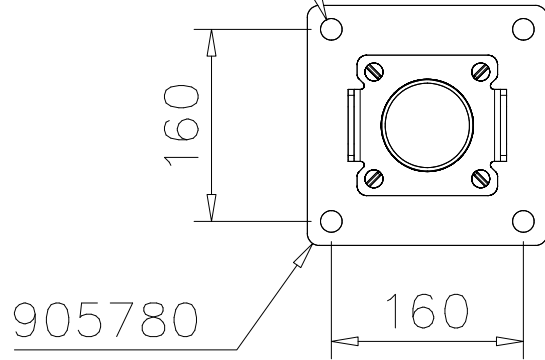


REMOVE SAFETY SURFACE/SAND/GRAVEL
TO CHECK FOUNDATION

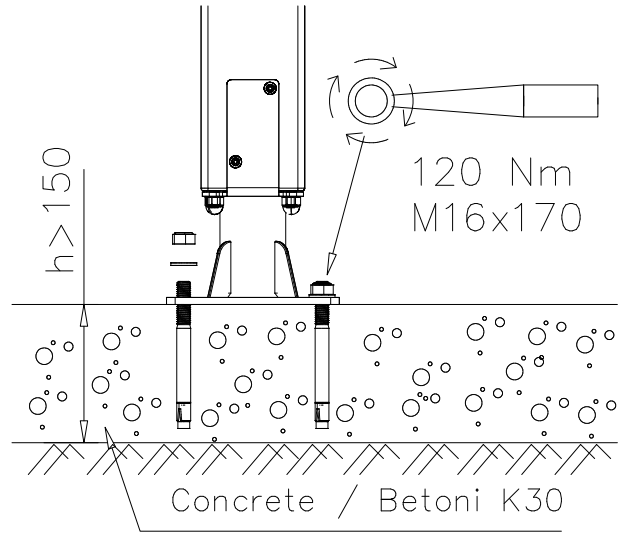


DET 1

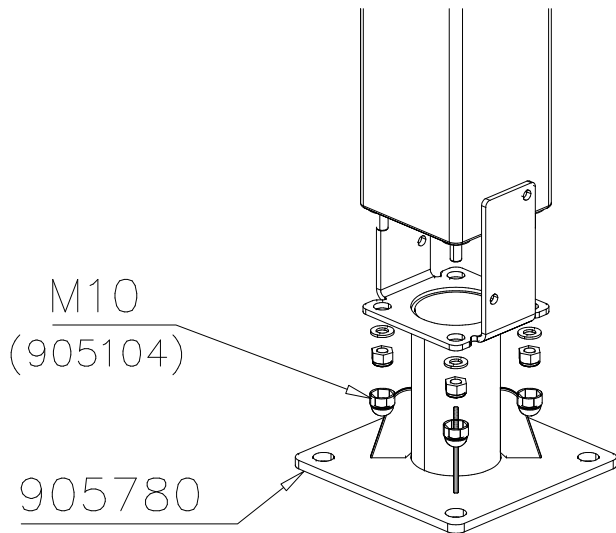
$\varnothing 16 \downarrow > 130$



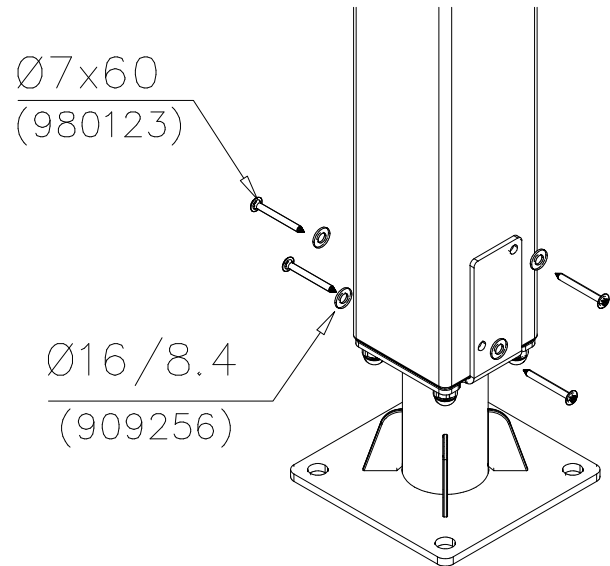
DET 2



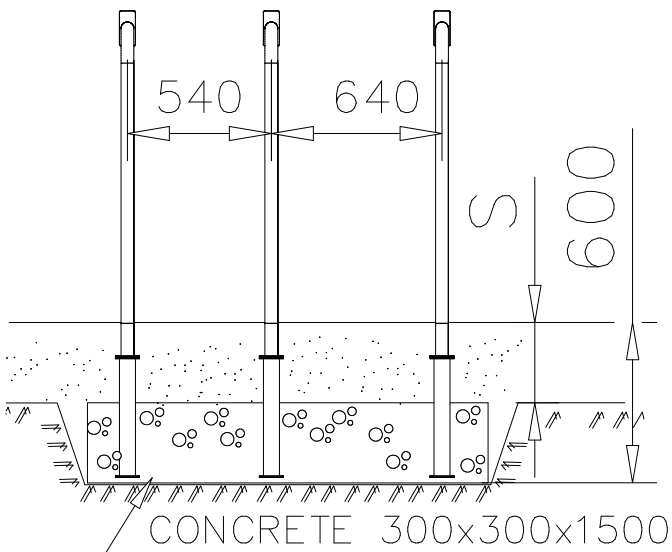
DET 3



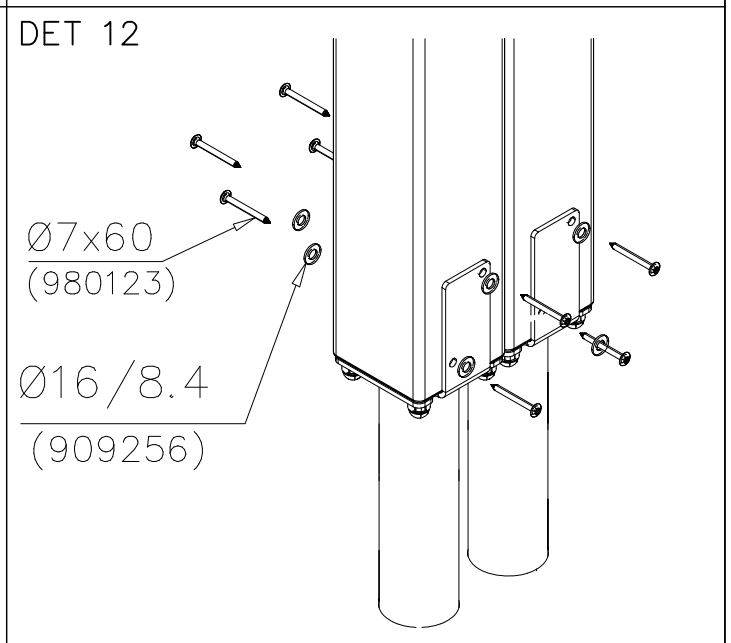
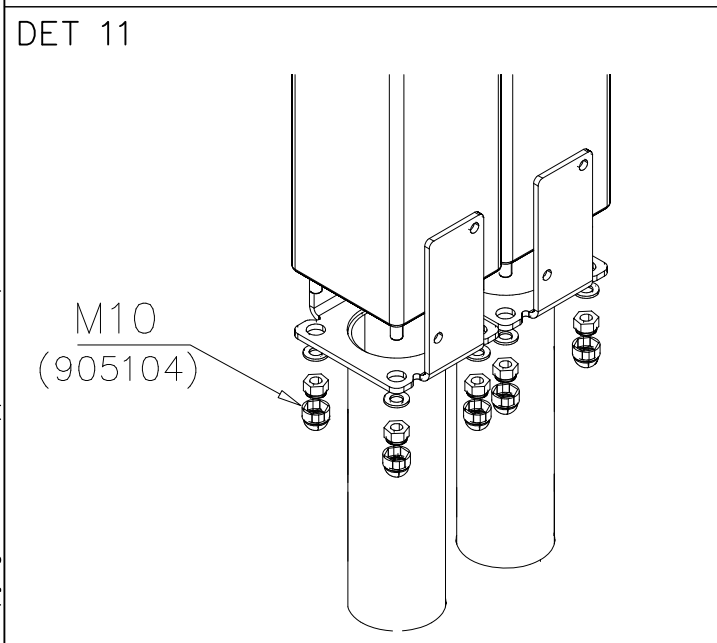
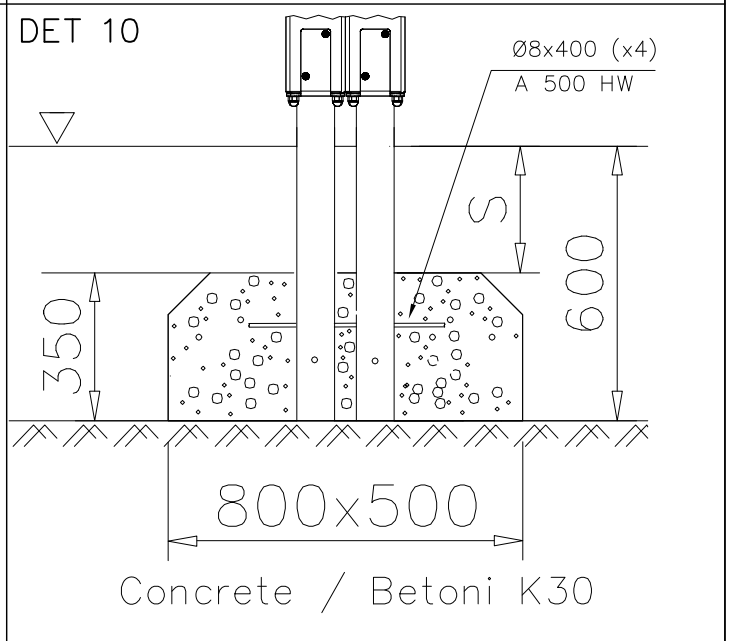
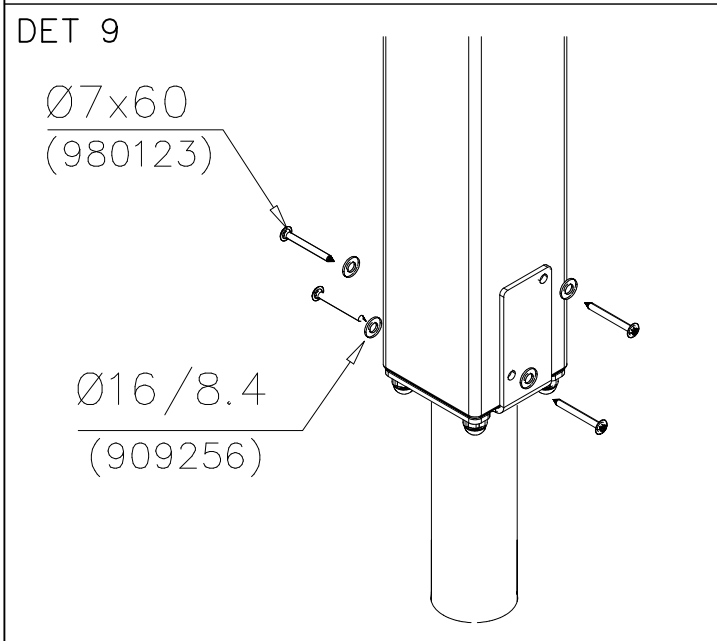
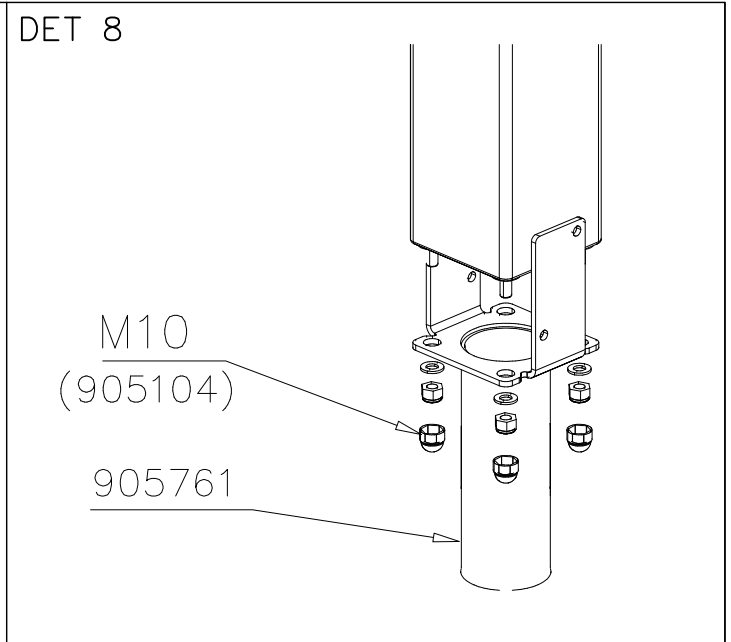
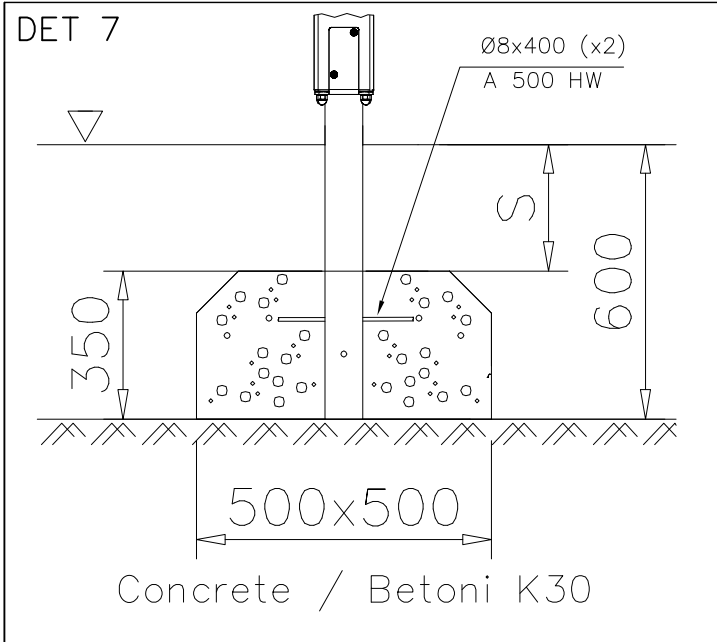
DET 4



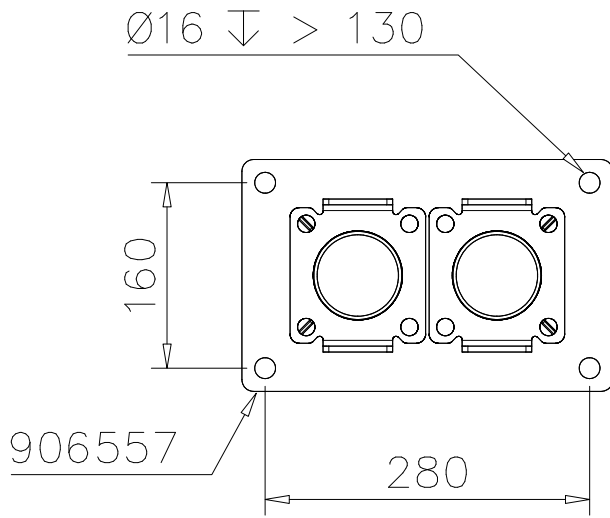
DET 5



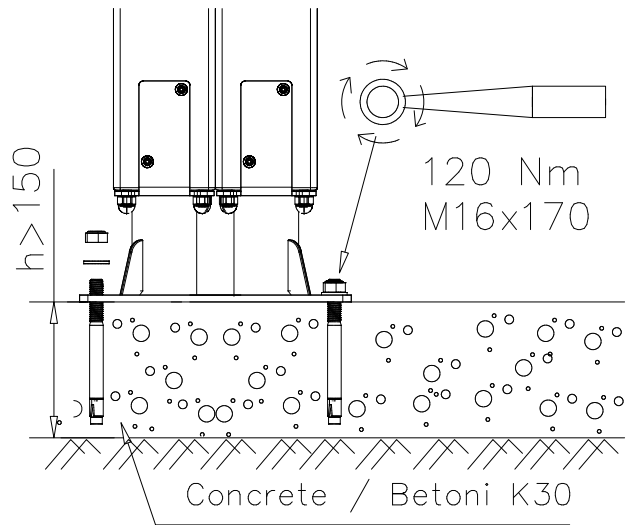
DET 6



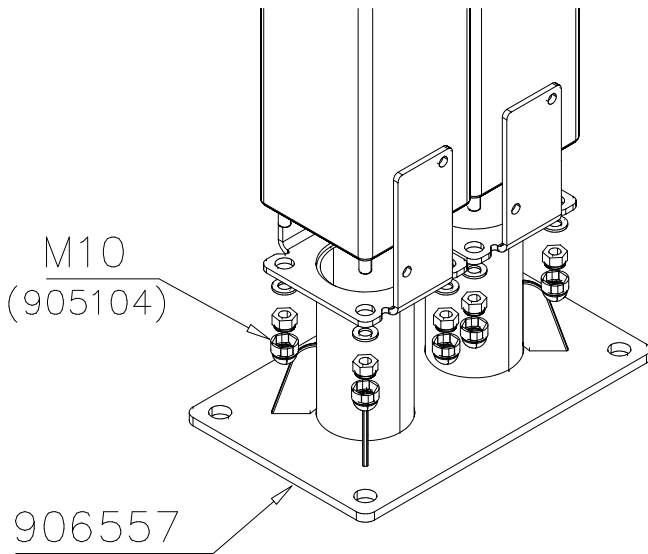
DET 13



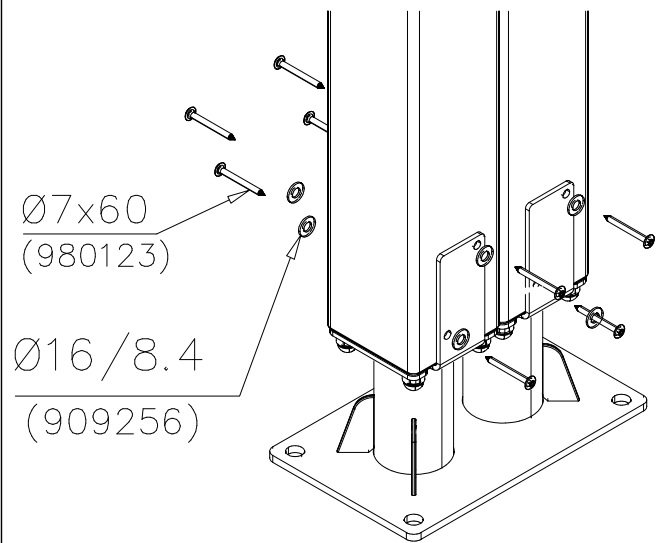
DET 14



DET 15

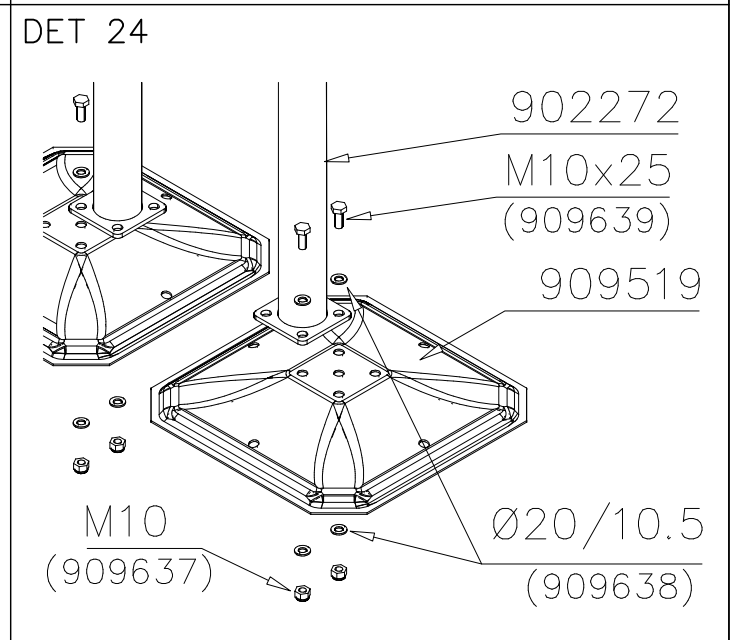
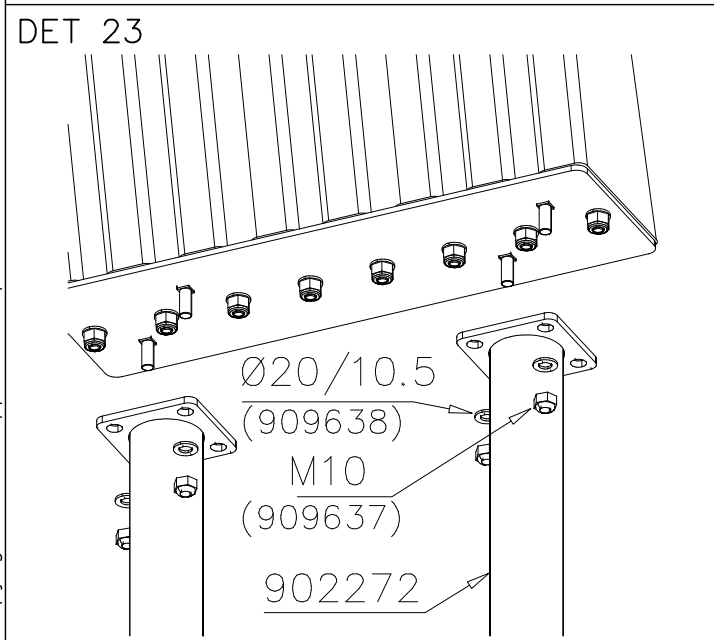
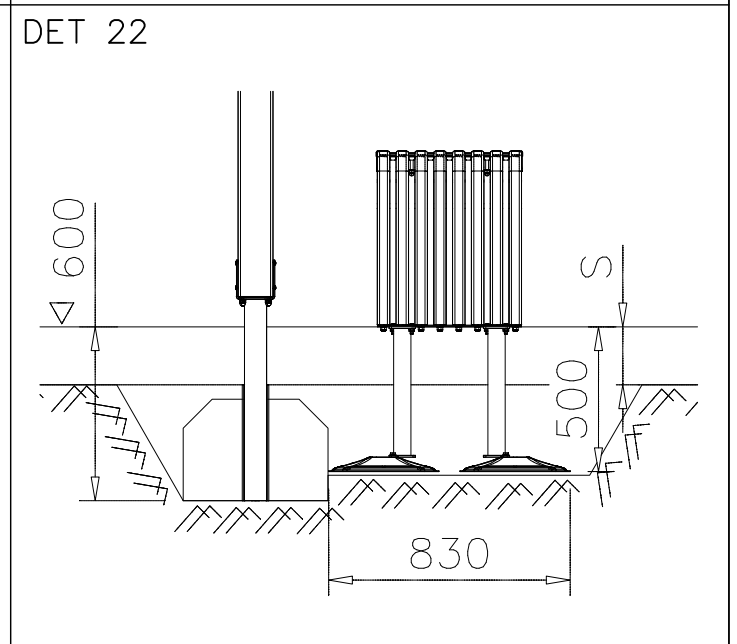
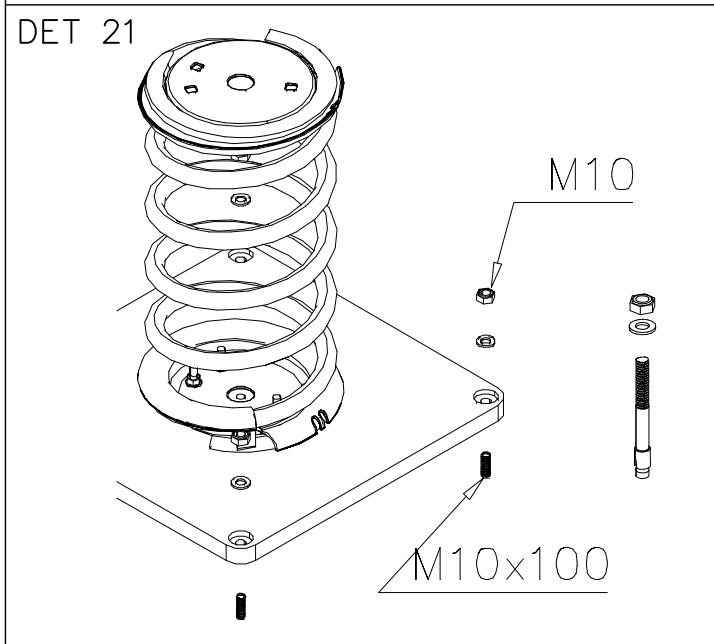
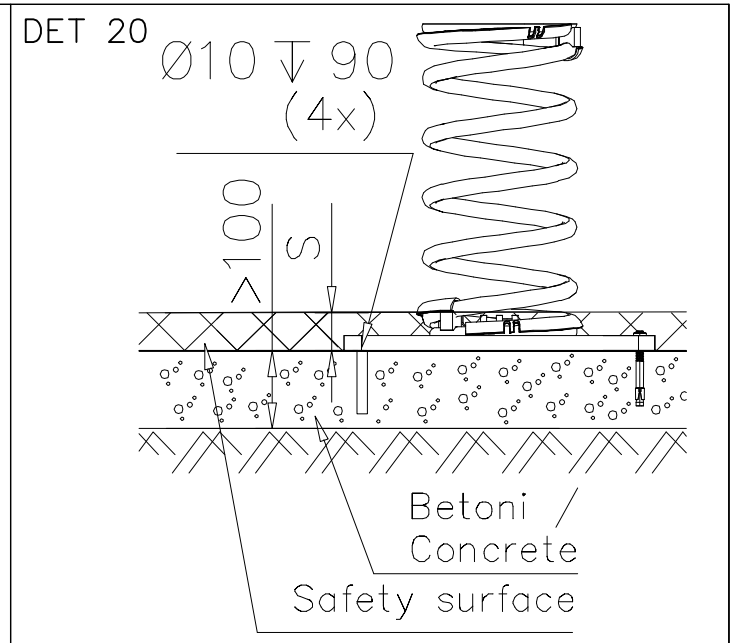
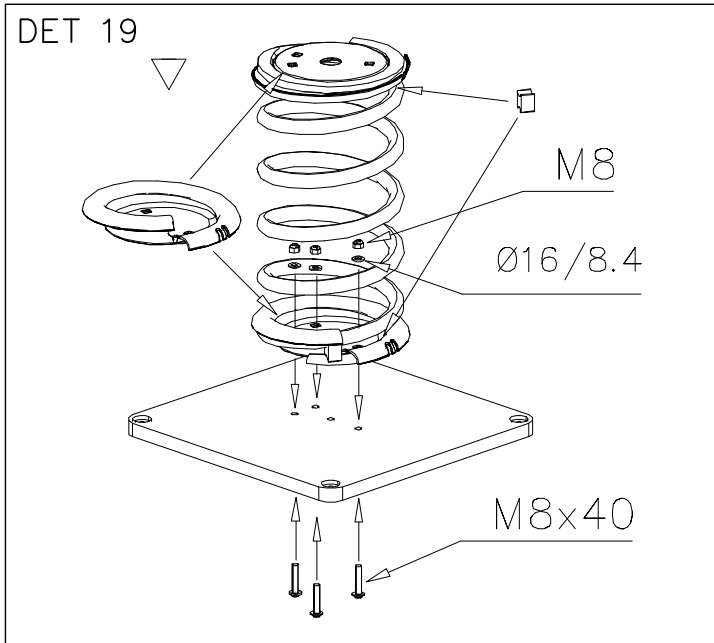


DET 16



DET 17

DET 18

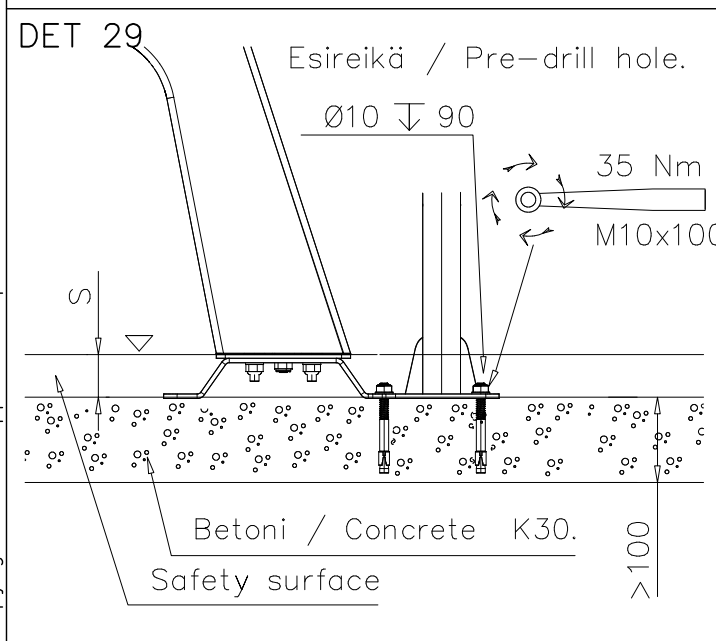
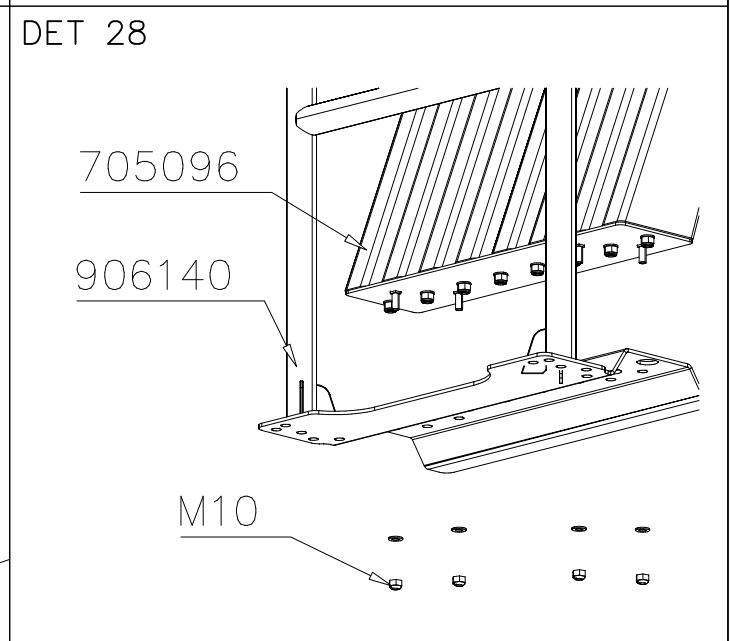
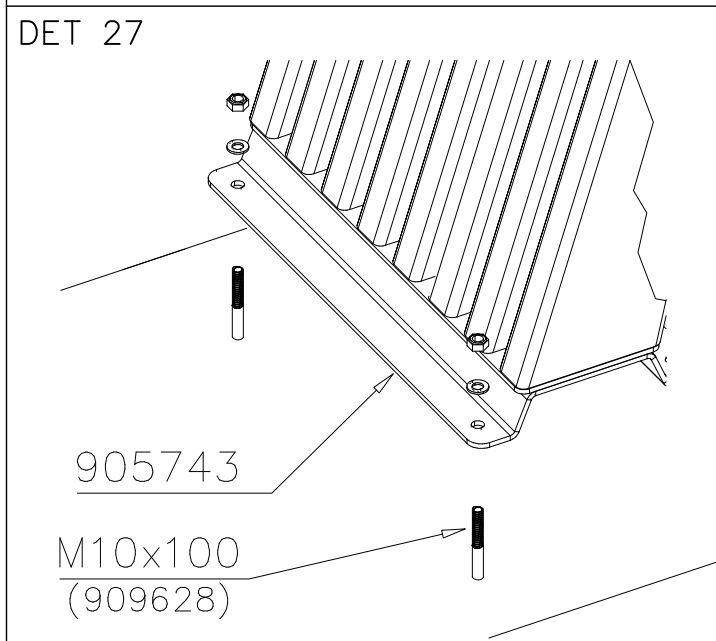
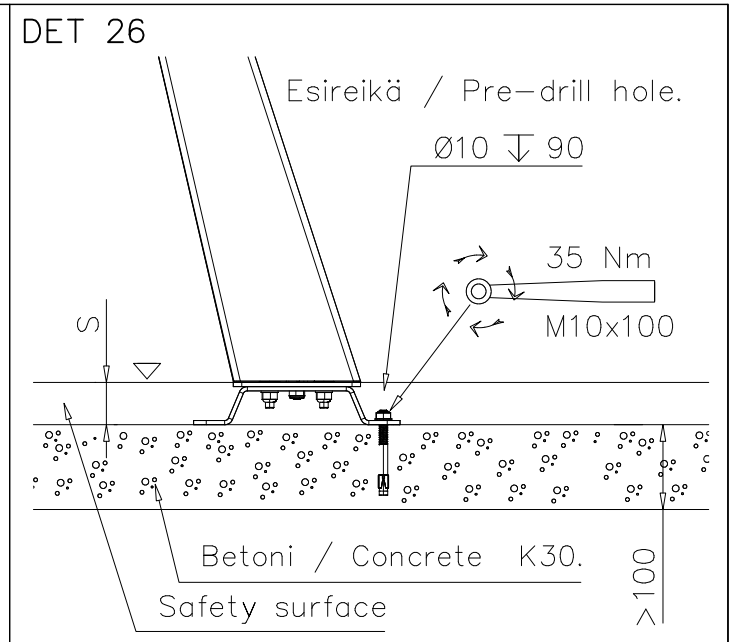
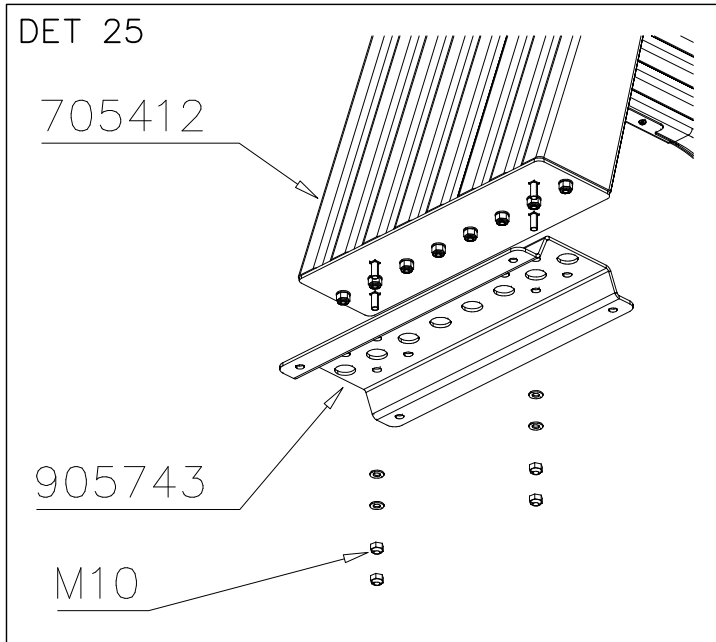


LAPPSET SPORT

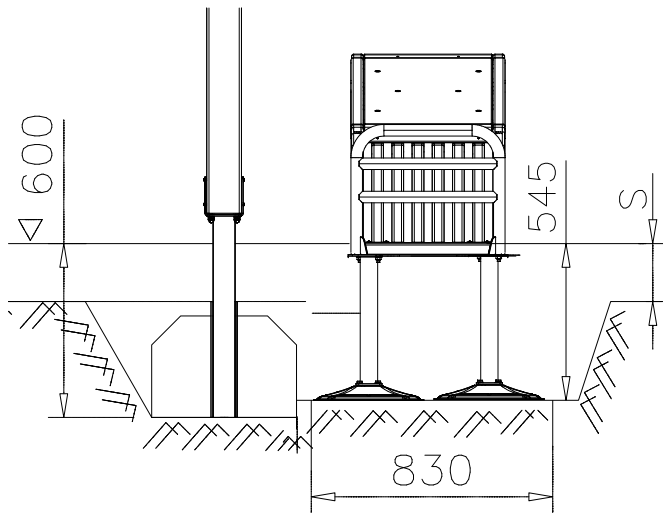
BASE

DATE: 29.4.2015

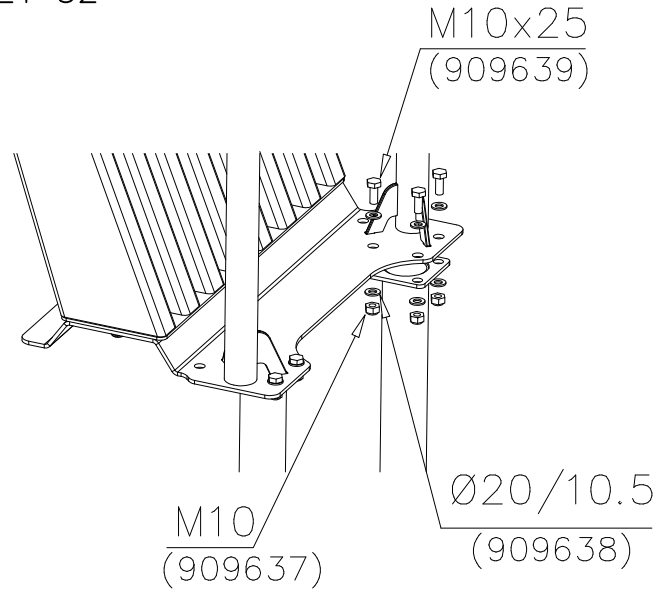
5(10)



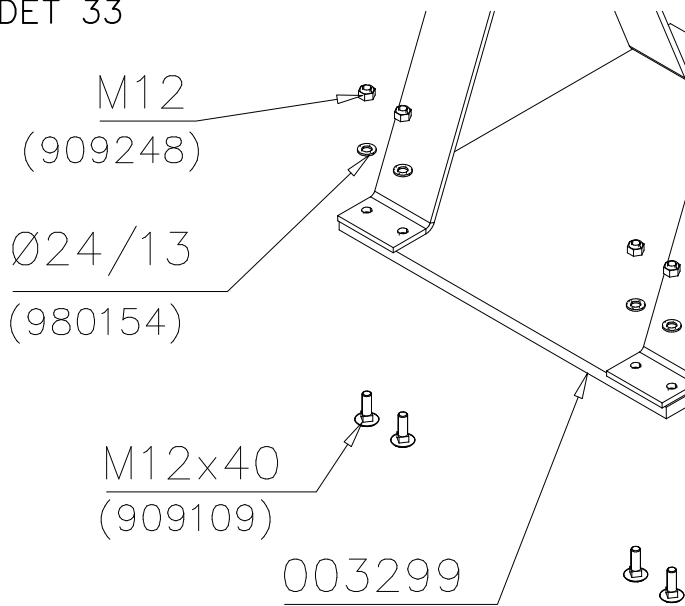
DET 31



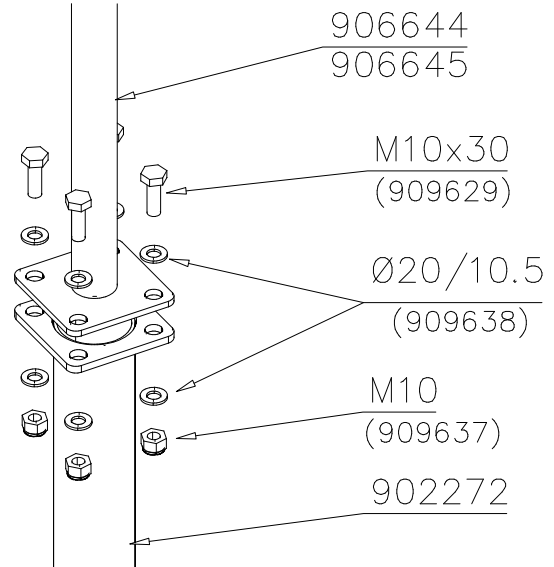
DET 32



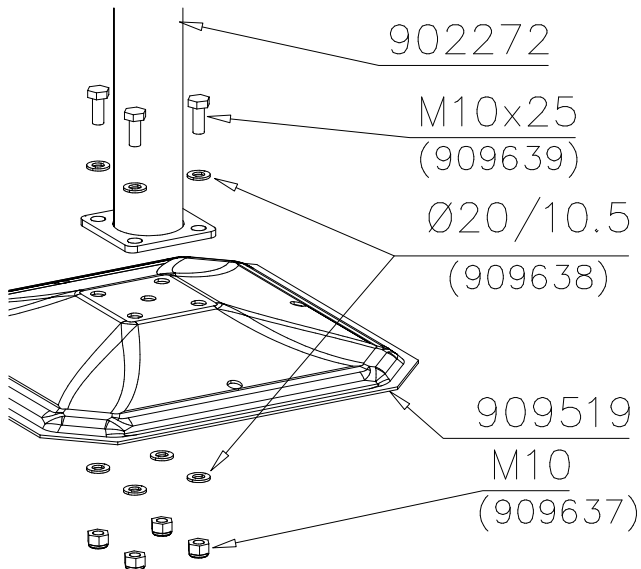
DET 33



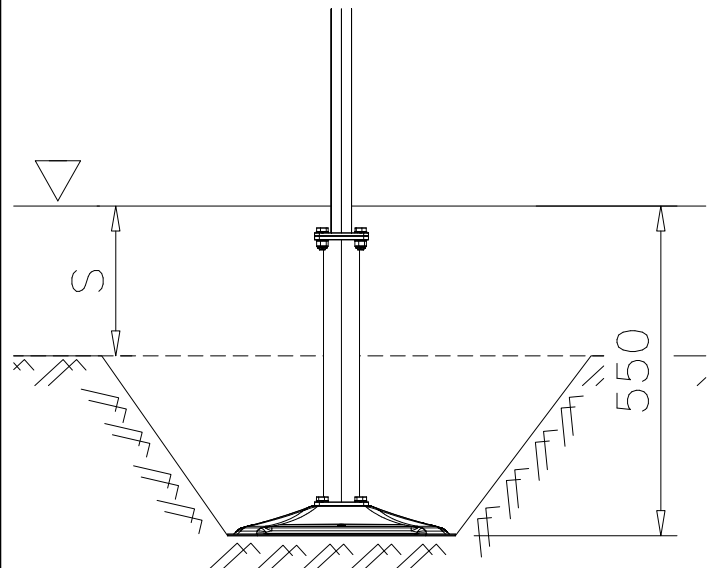
DET 34



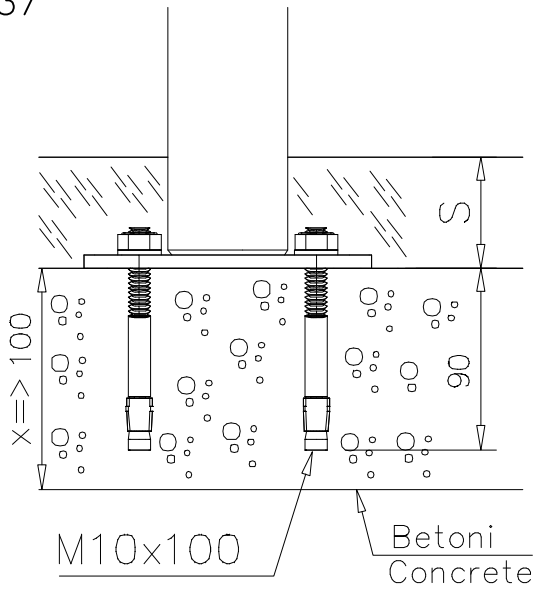
DET 35



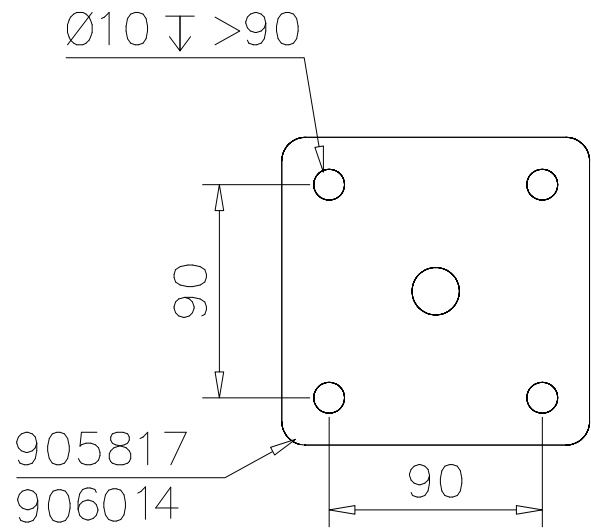
DET 36



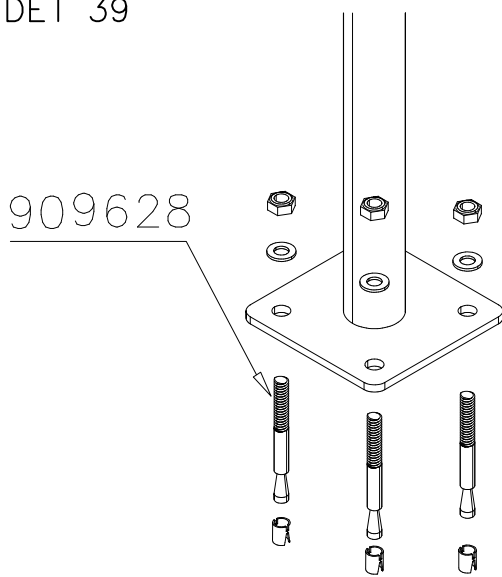
DET 37



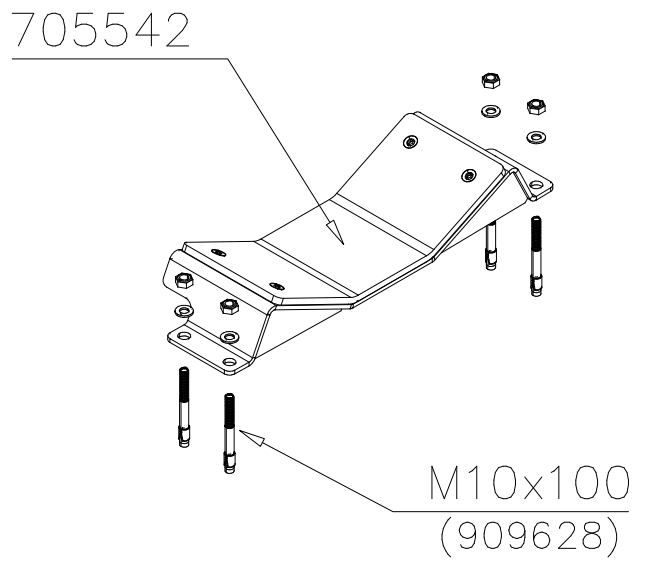
DET 38



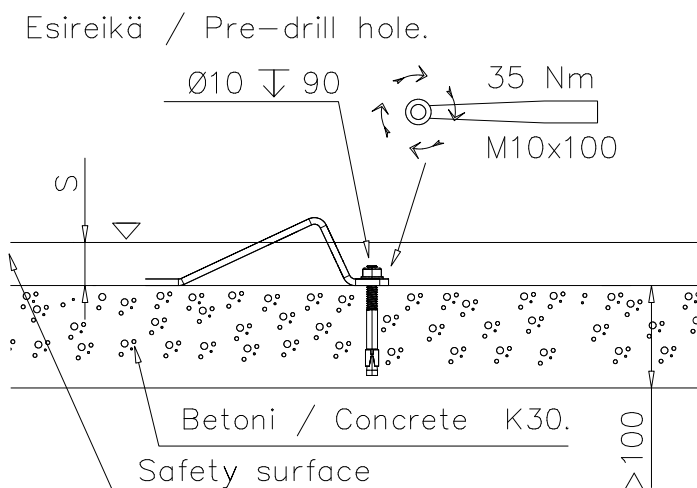
DET 39



DET 40



DET 41



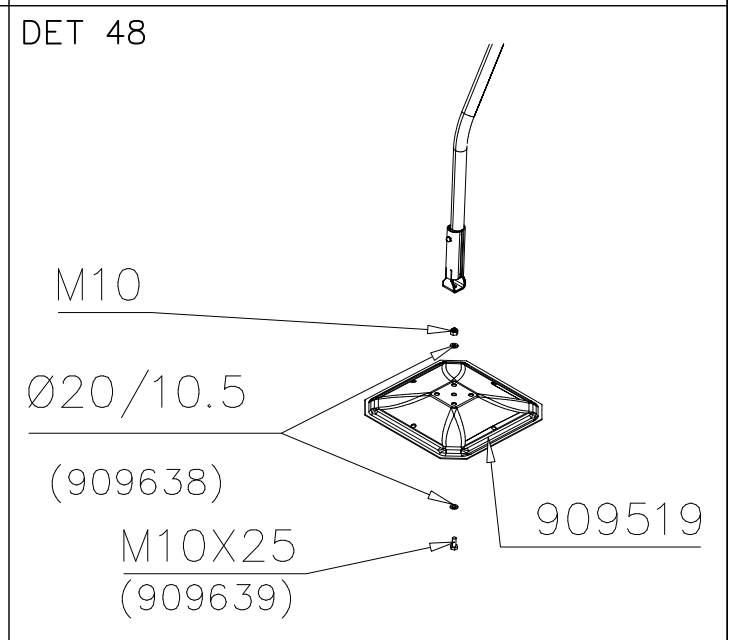
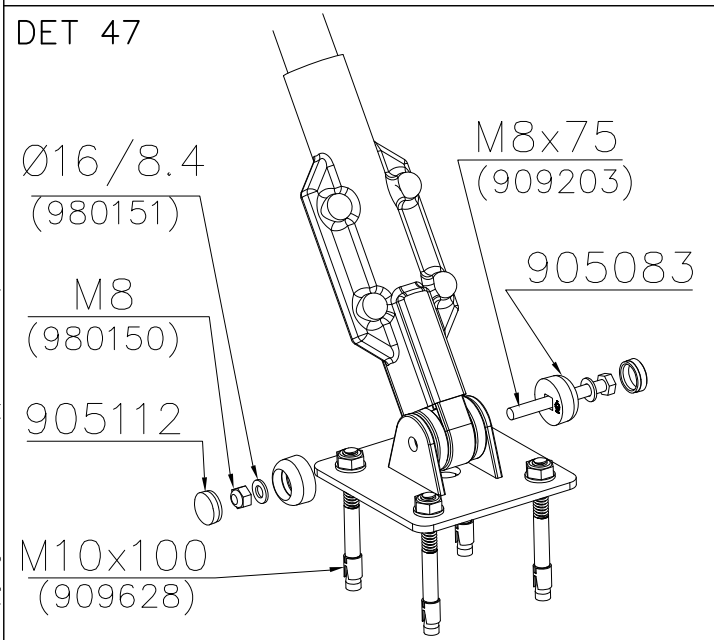
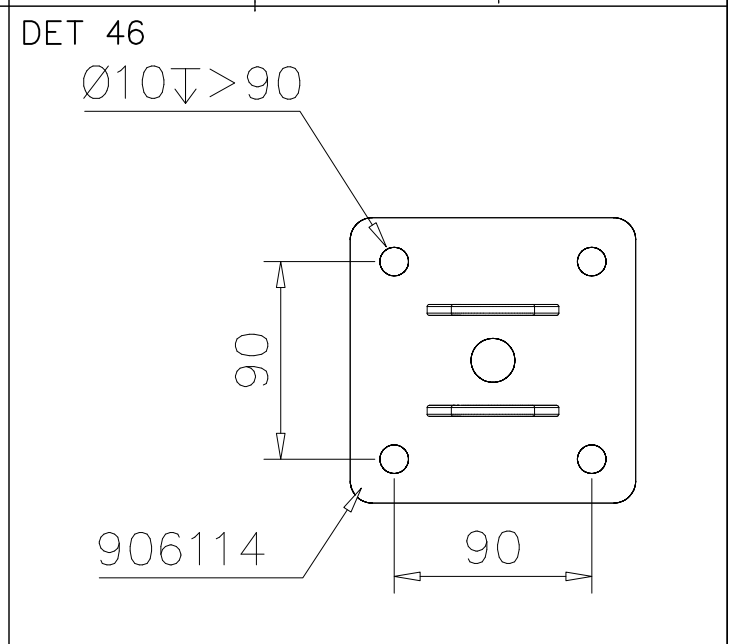
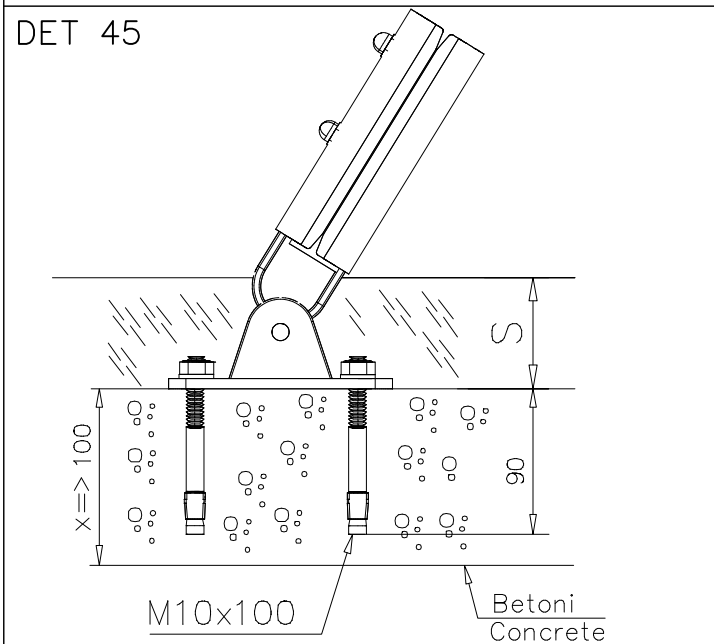
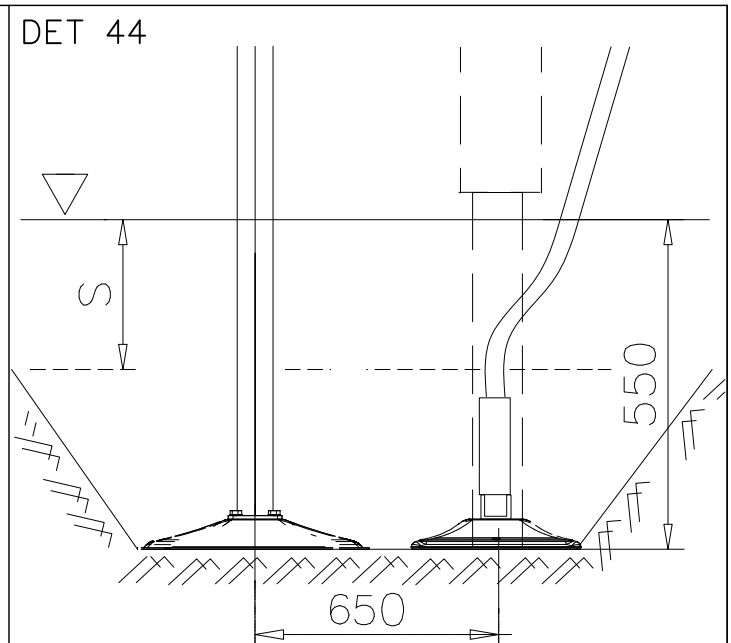
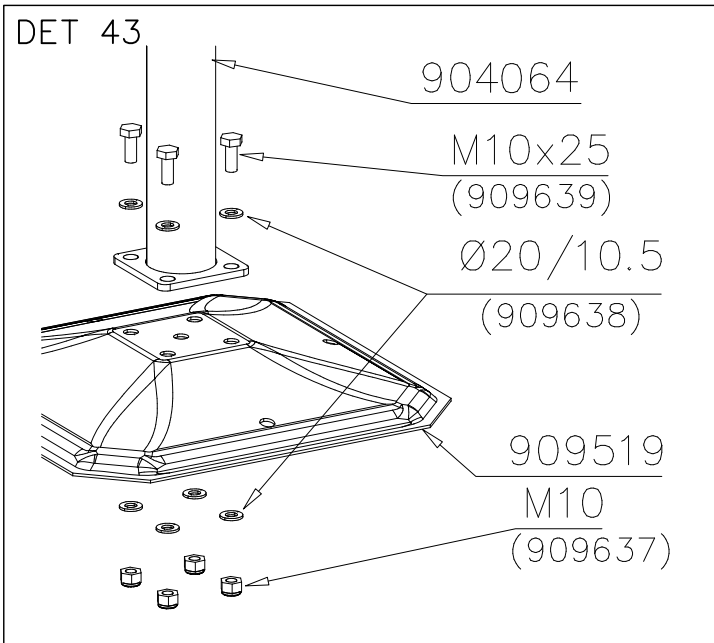
DET 42

LAPPSET SPORT

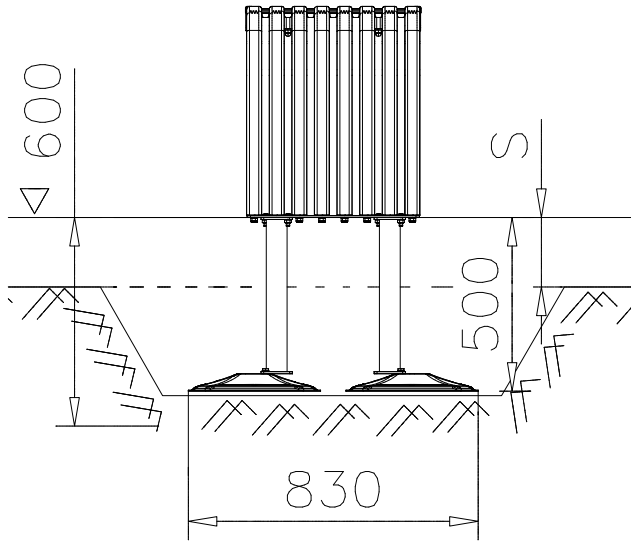
BASE

DATE: 15.8.2017

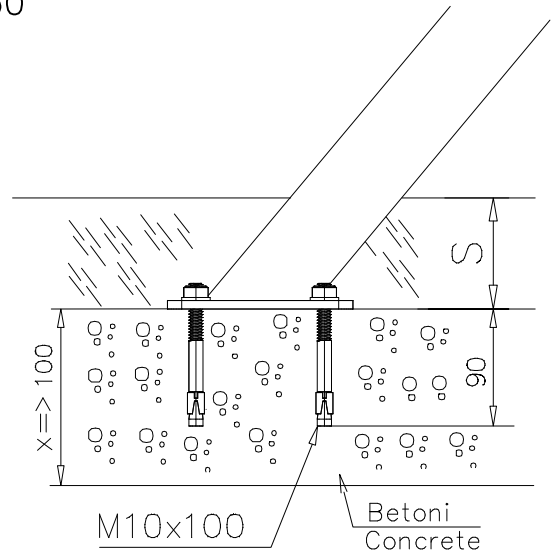
8(10)



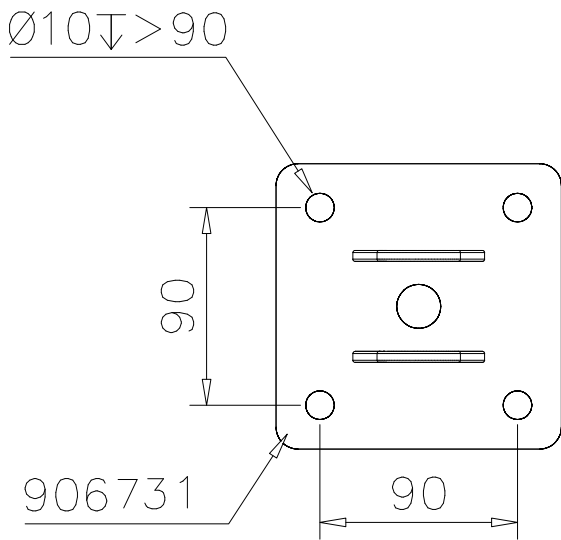
DET 49



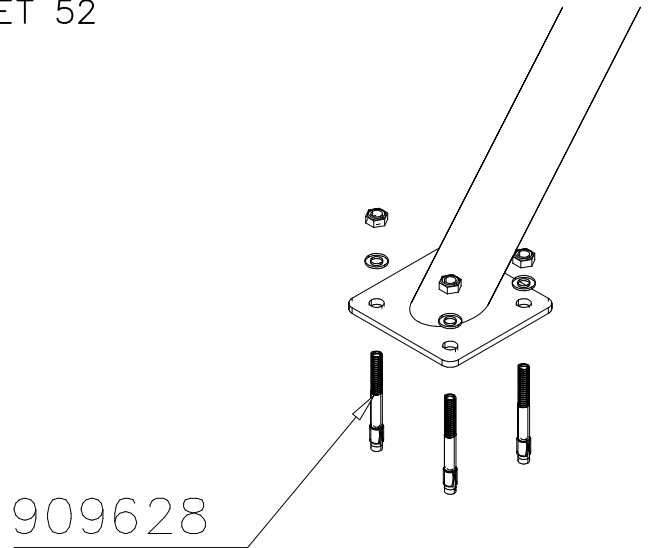
DET 50



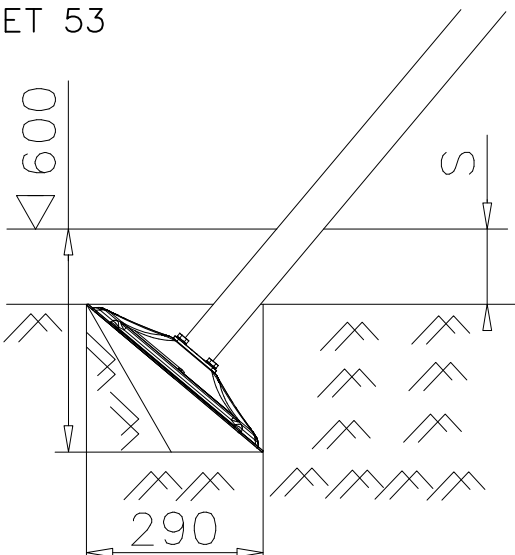
DET 51



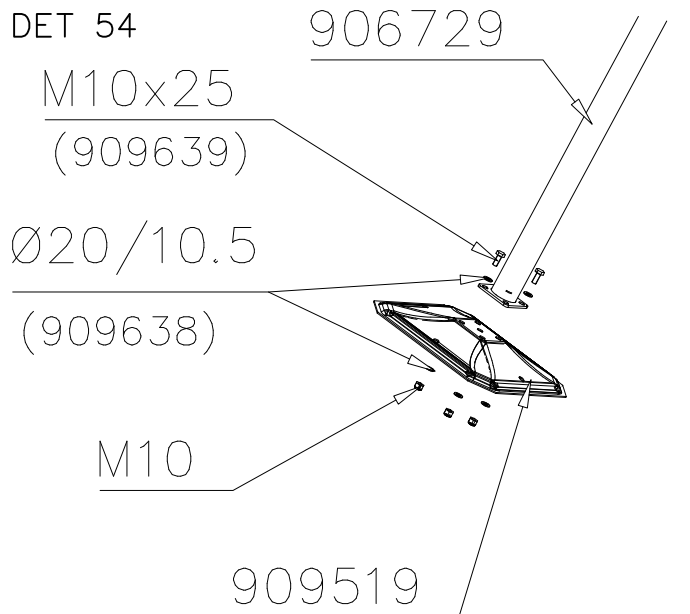
DET 52



DET 53

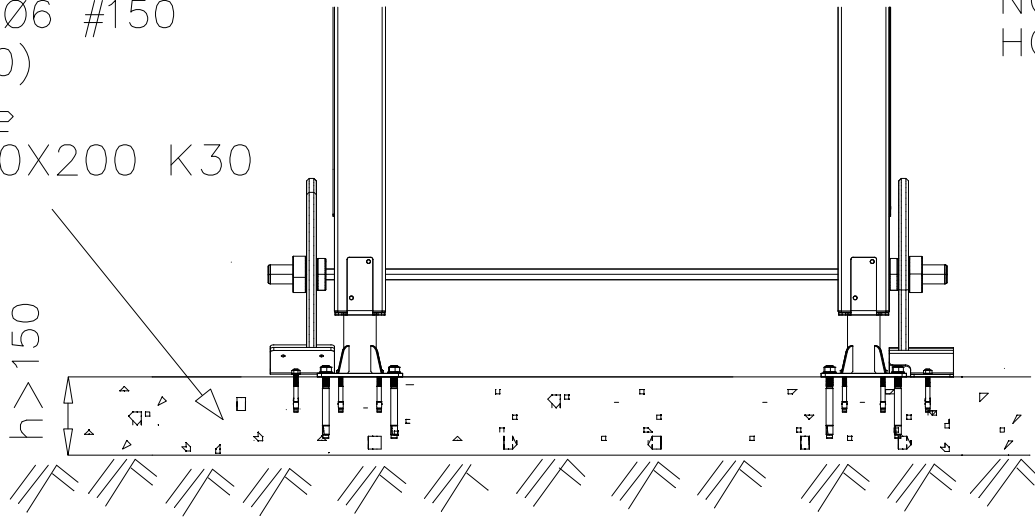


DET 54



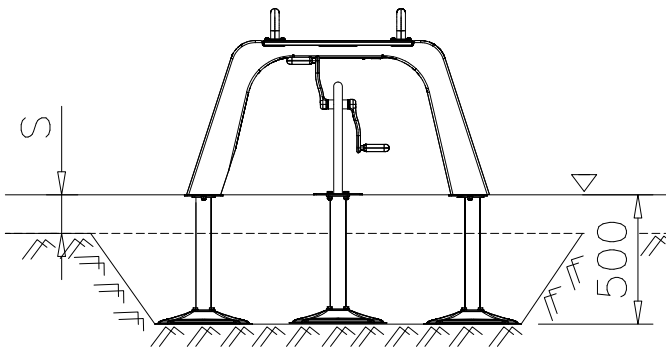
DET 55

STEELNET Ø6 #150
(1400x2100)
Concrete
1500X2200X200 K30

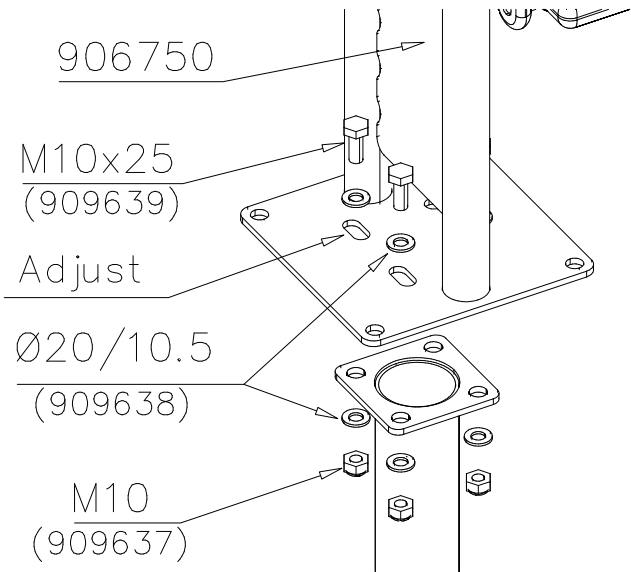


NOTE!
HOX!

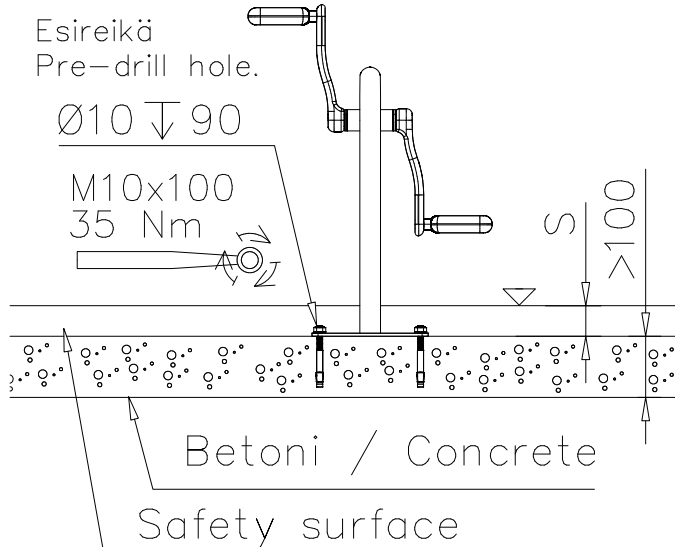
DET 56



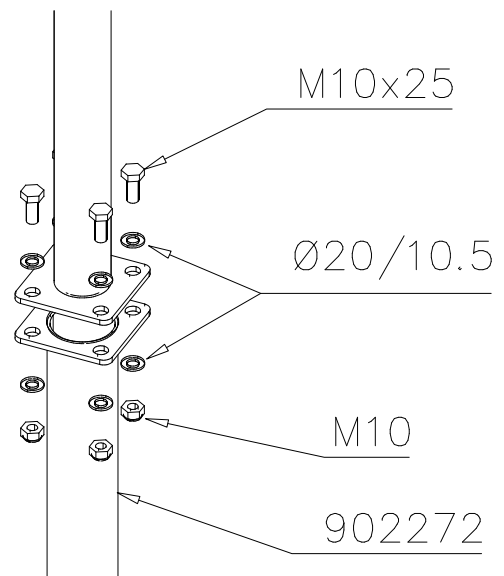
DET 57



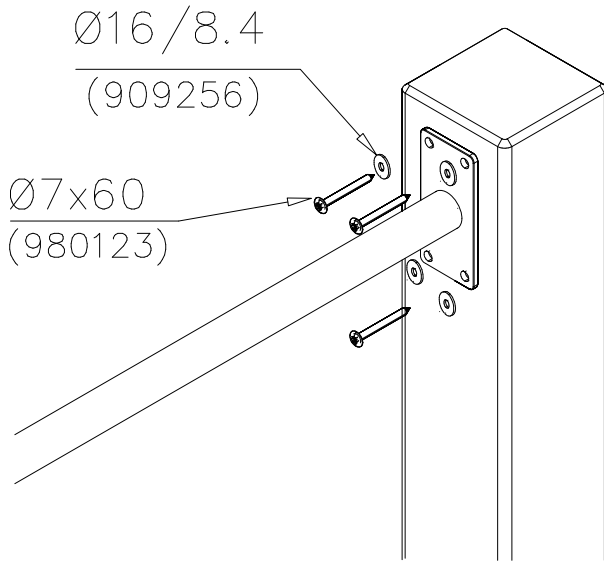
DET 58



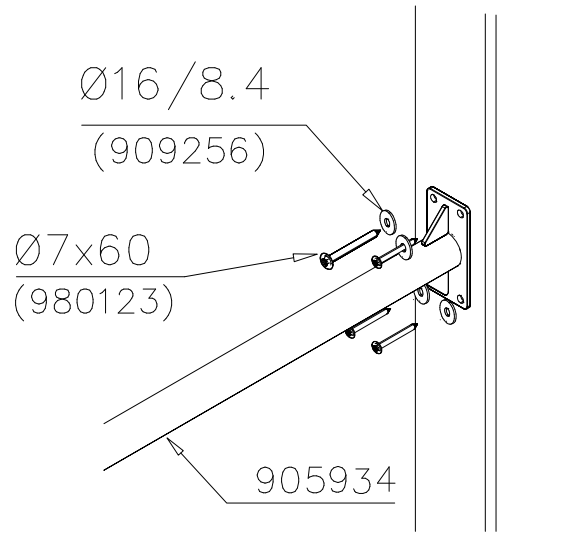
DET 59



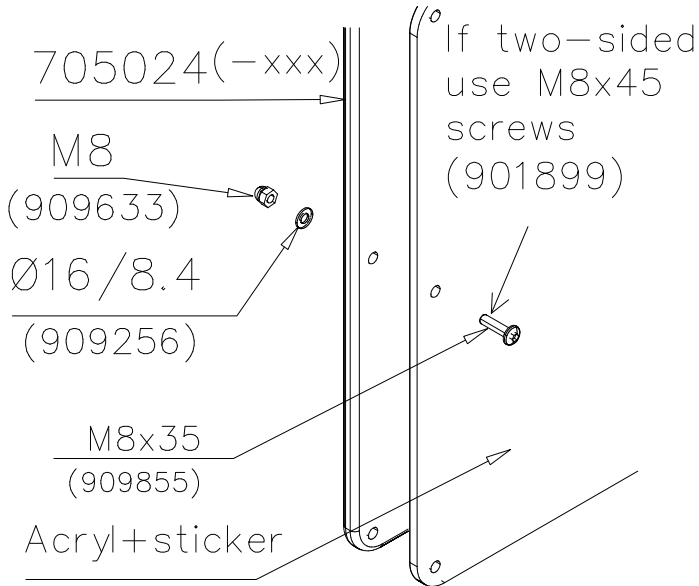
DET 1



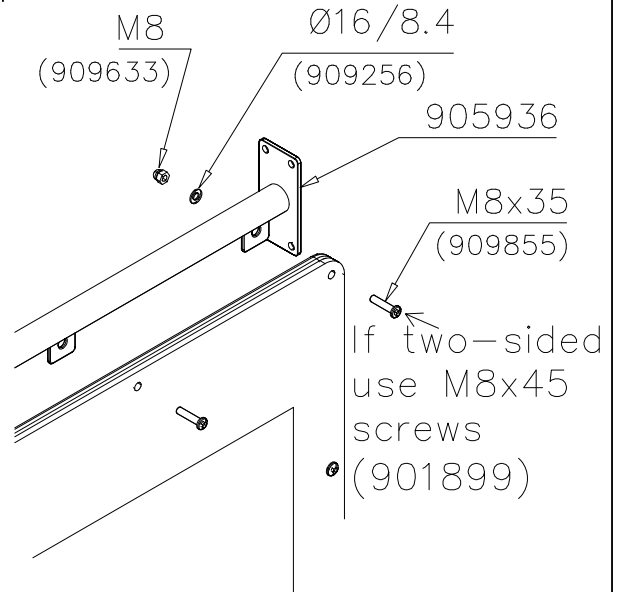
DET 2



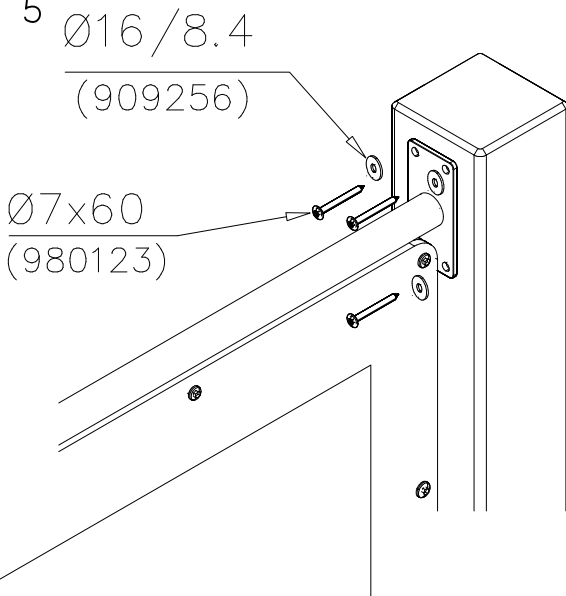
DET 3



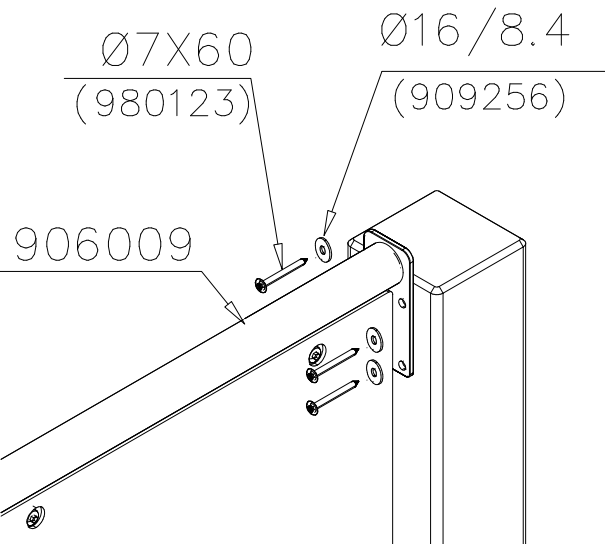
DET 4

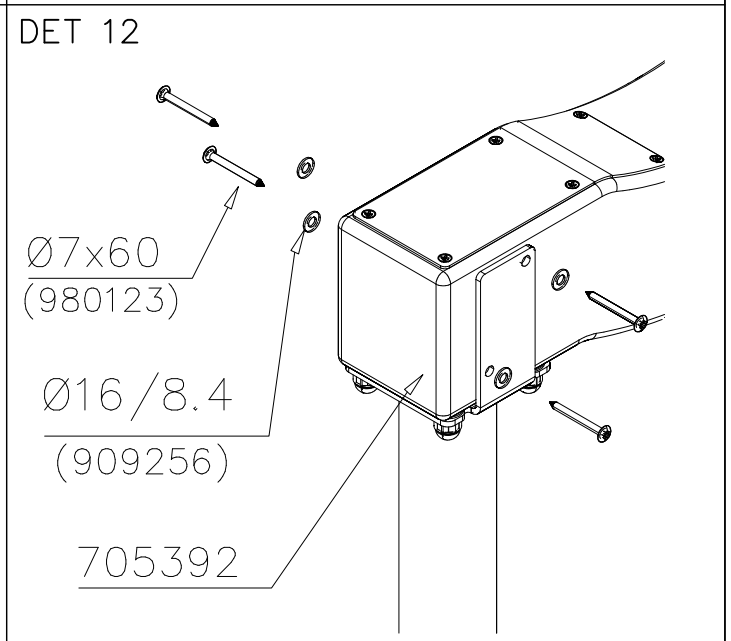
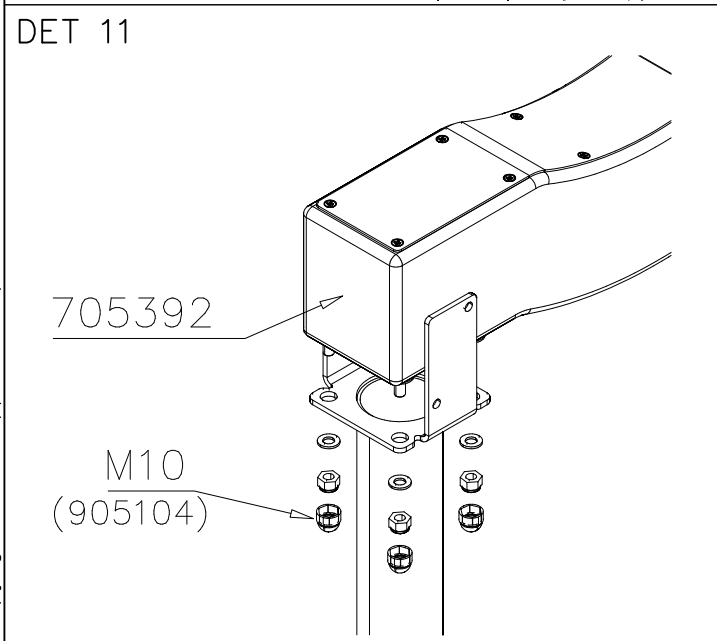
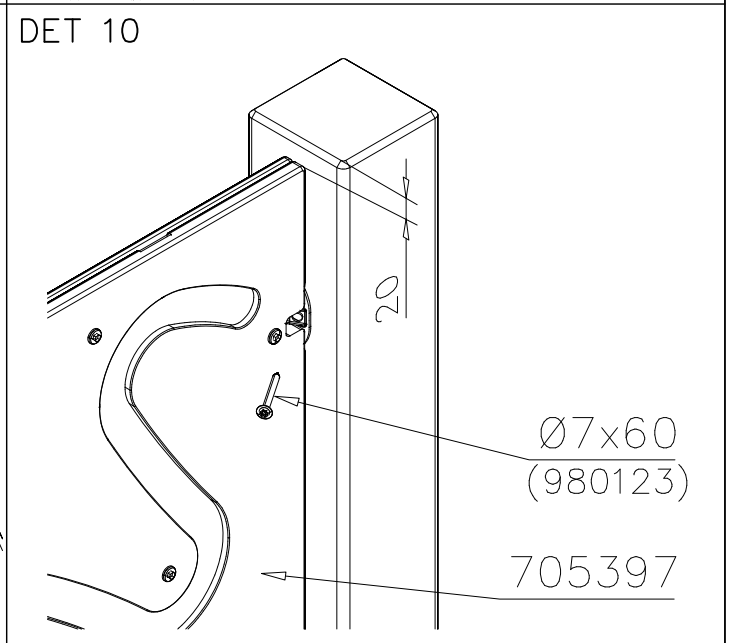
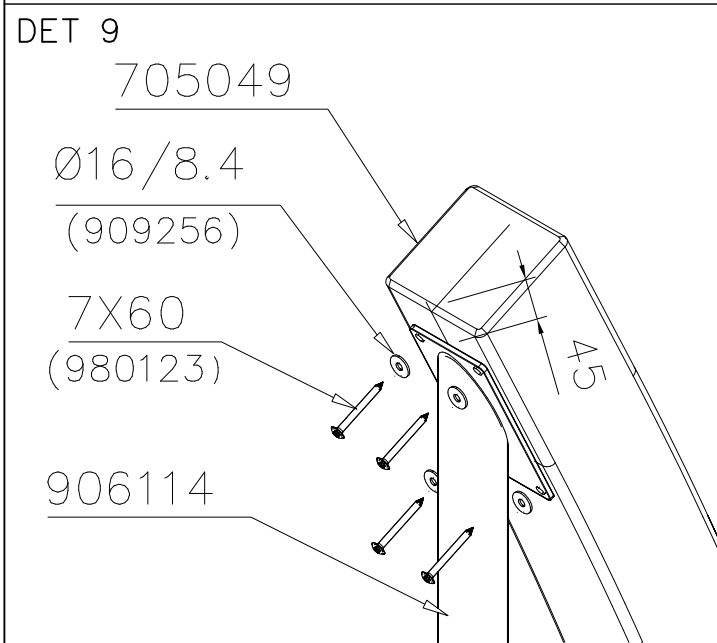
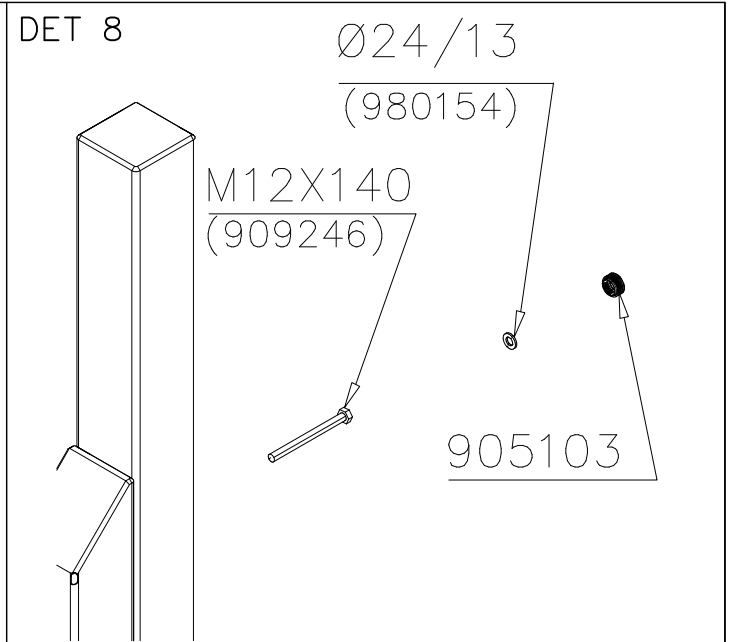
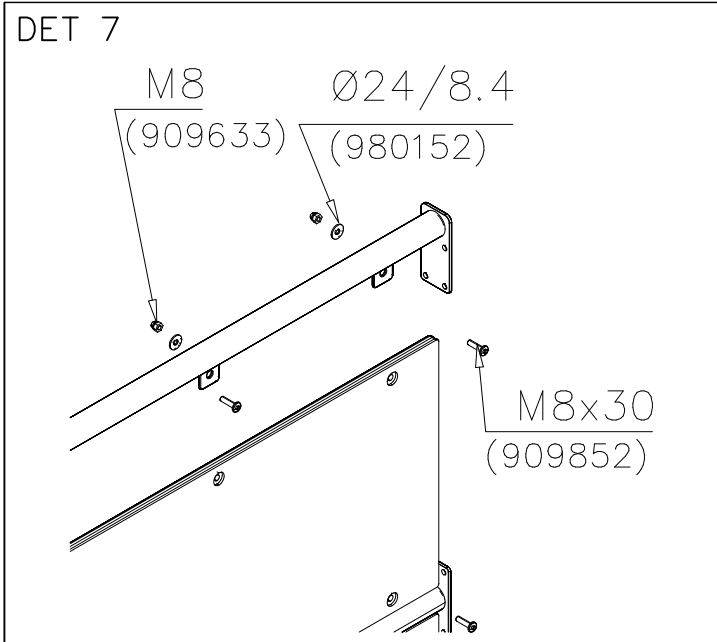


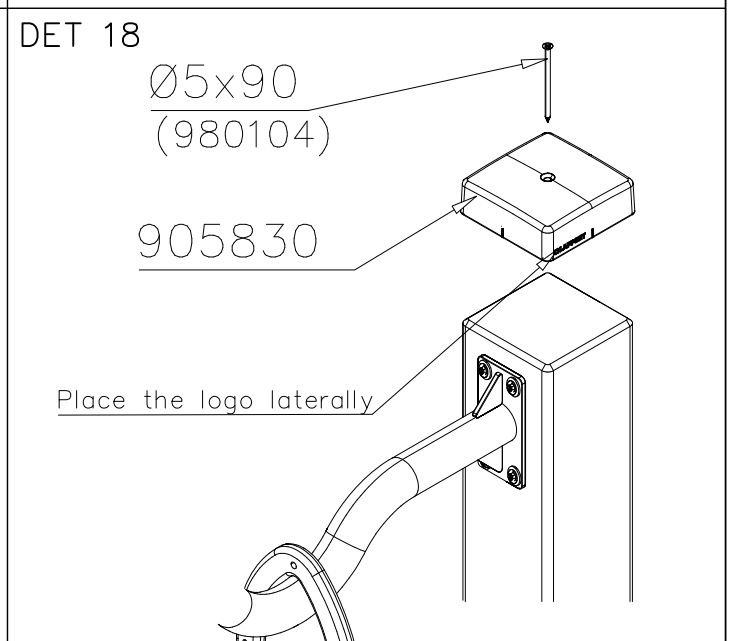
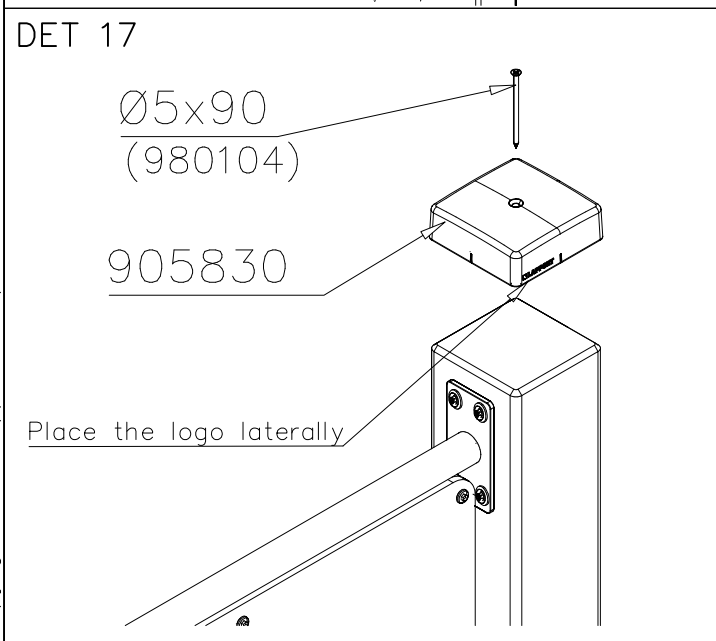
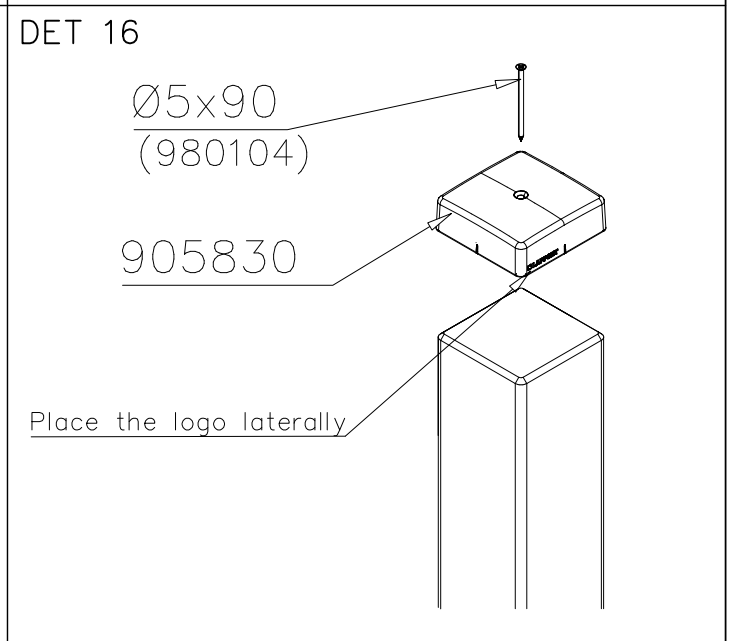
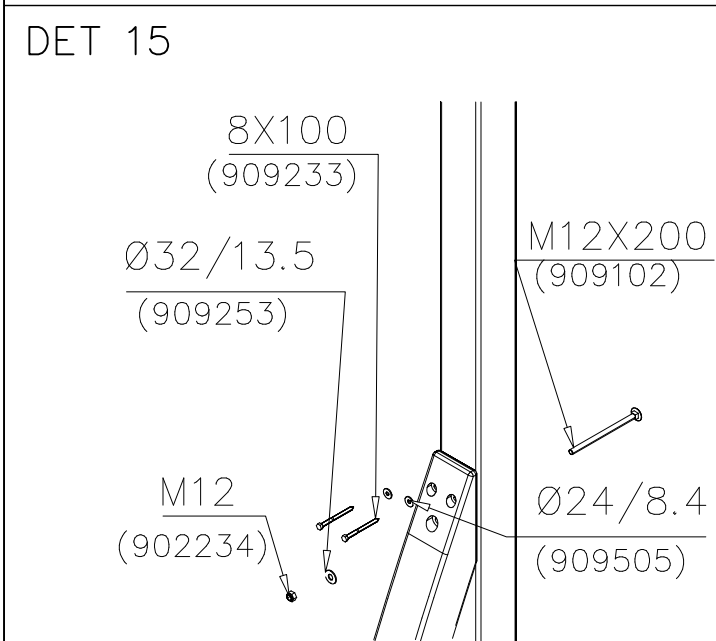
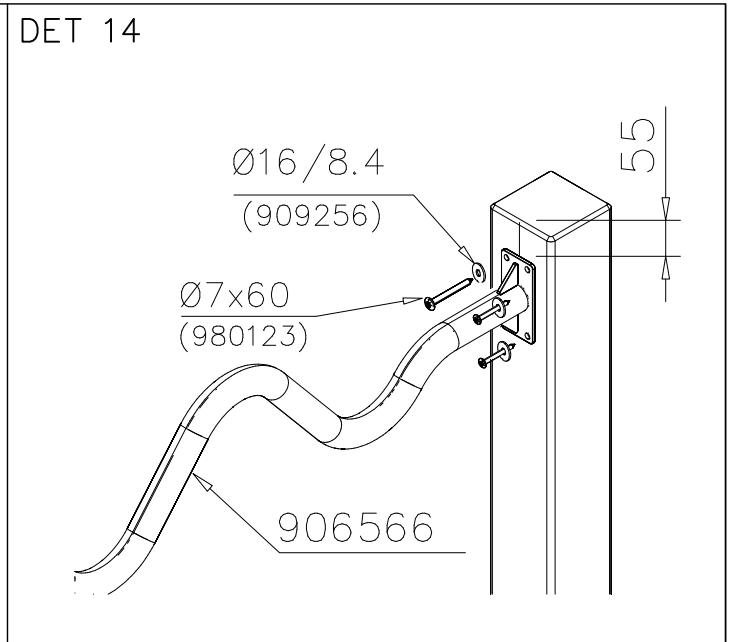
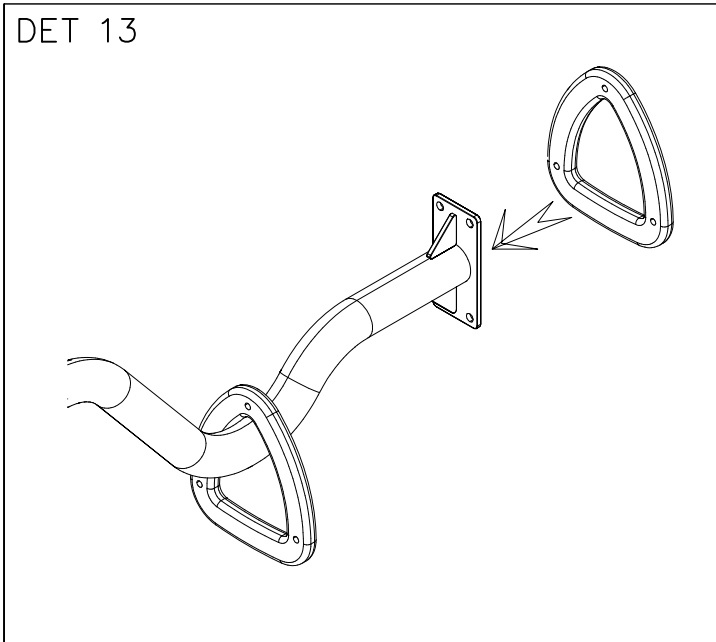
DET 5



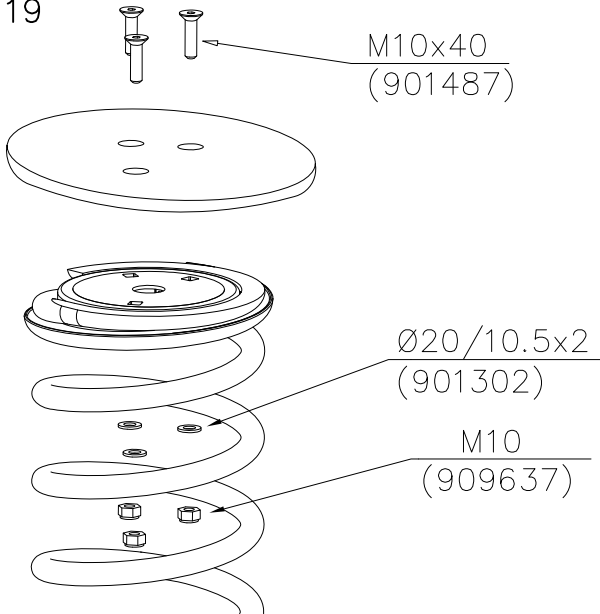
DET 6



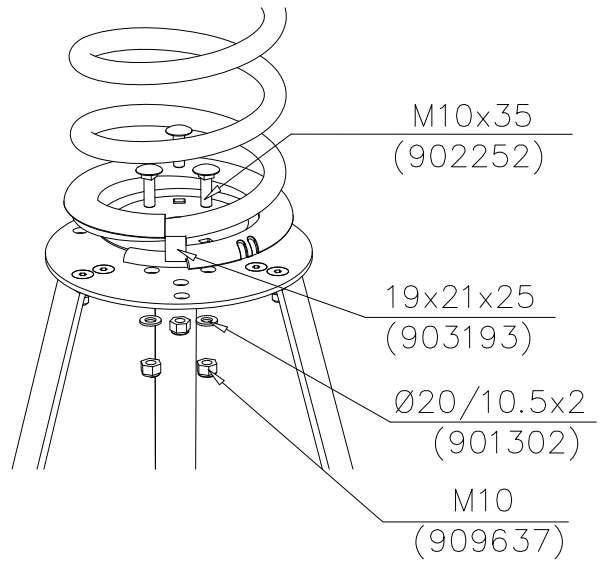




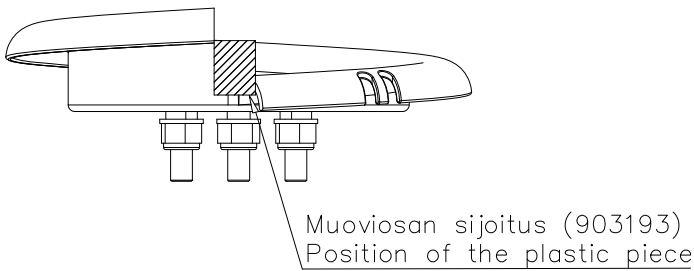
DET 19



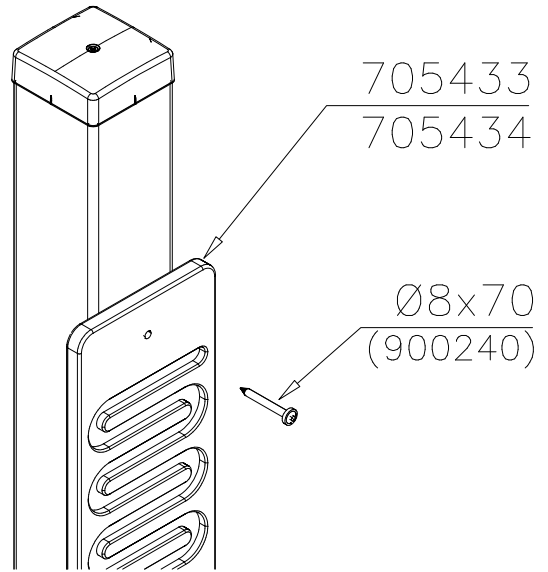
DET 20



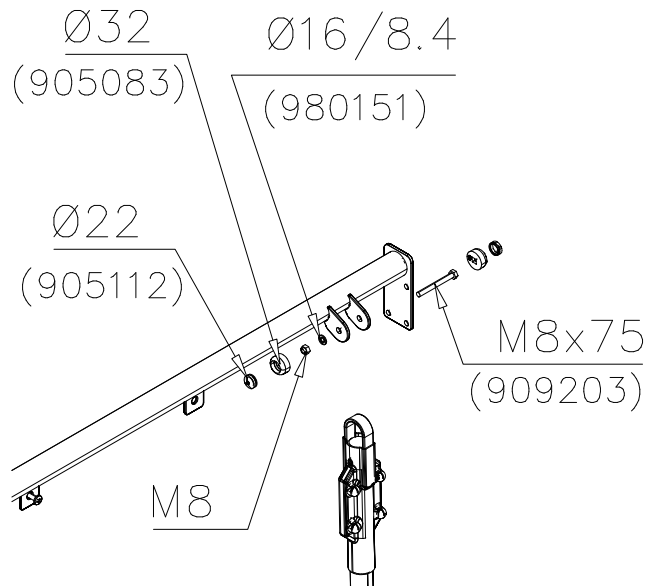
DET 21



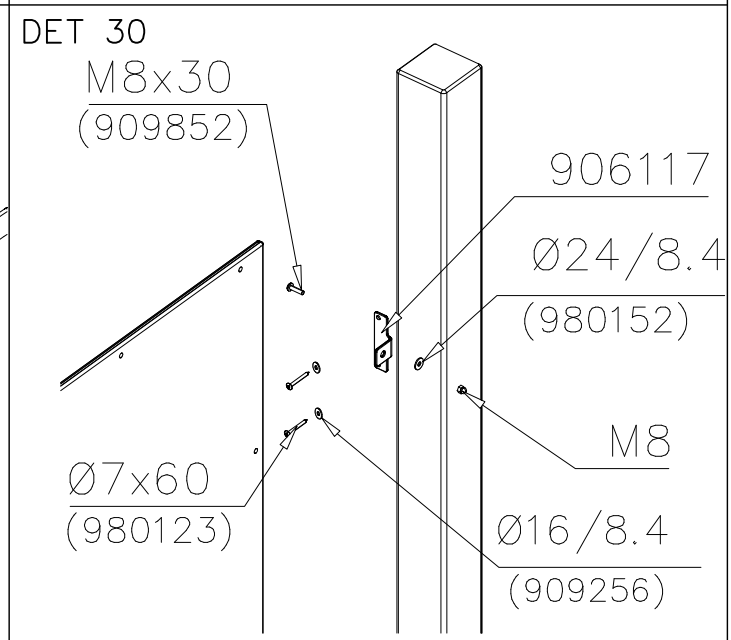
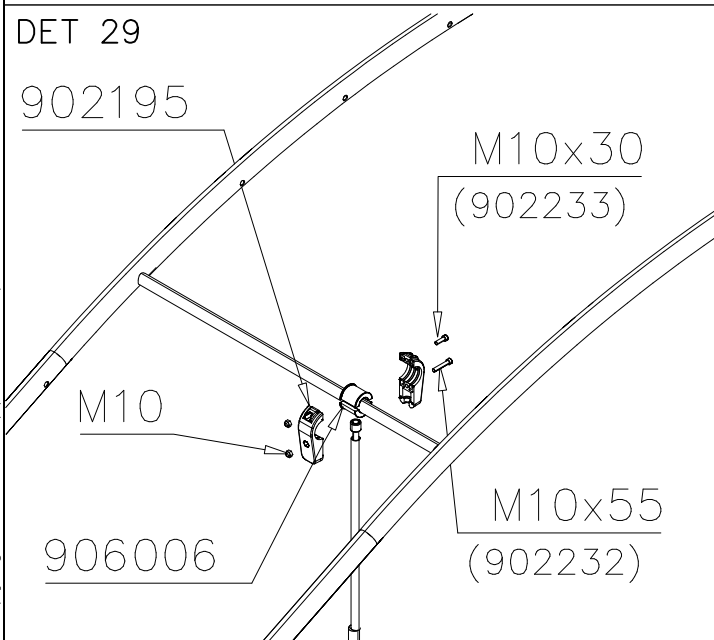
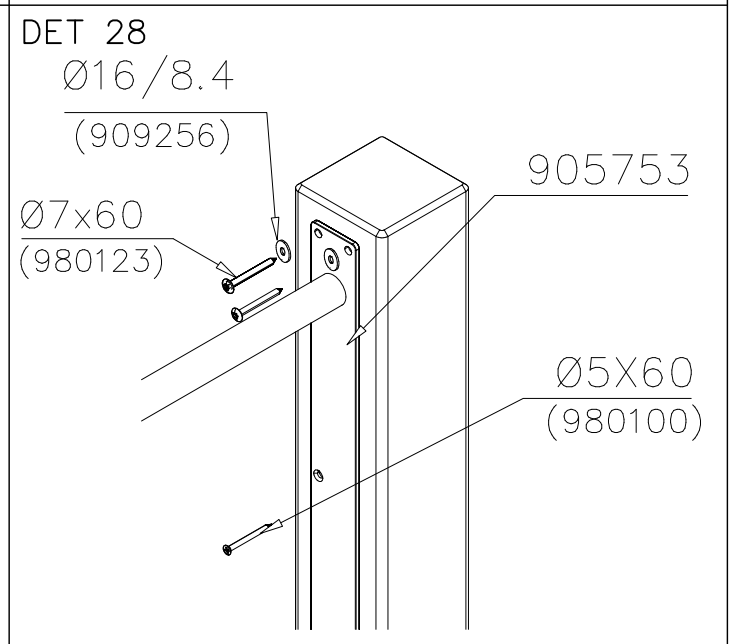
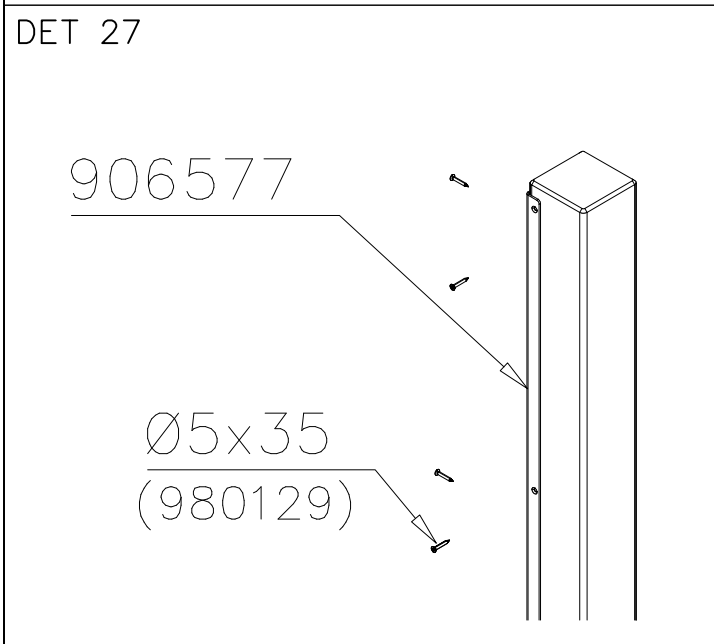
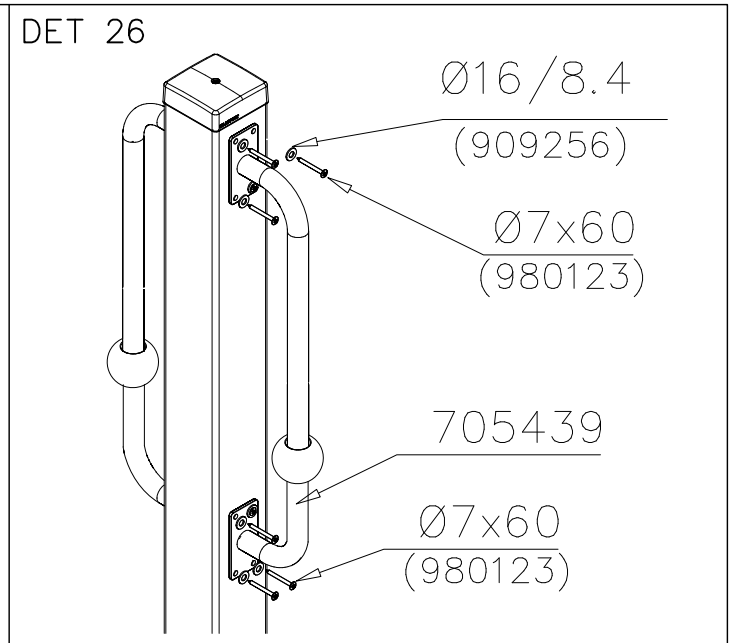
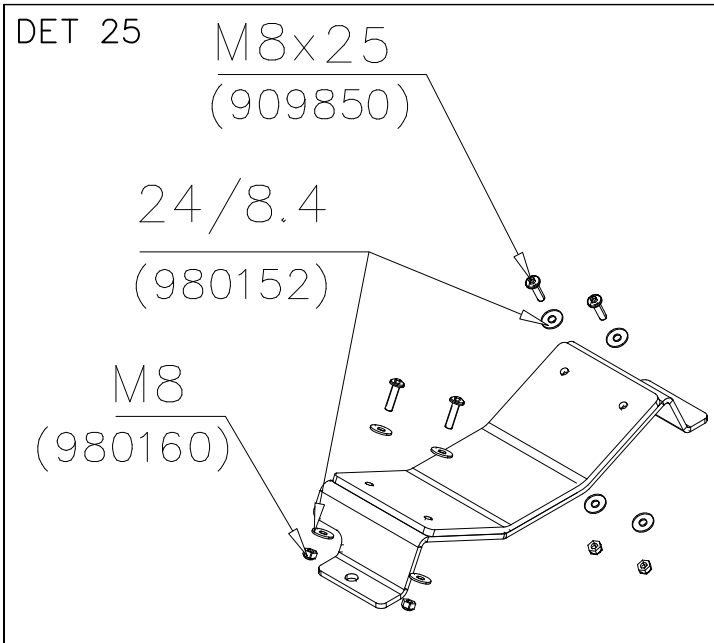
DET 22



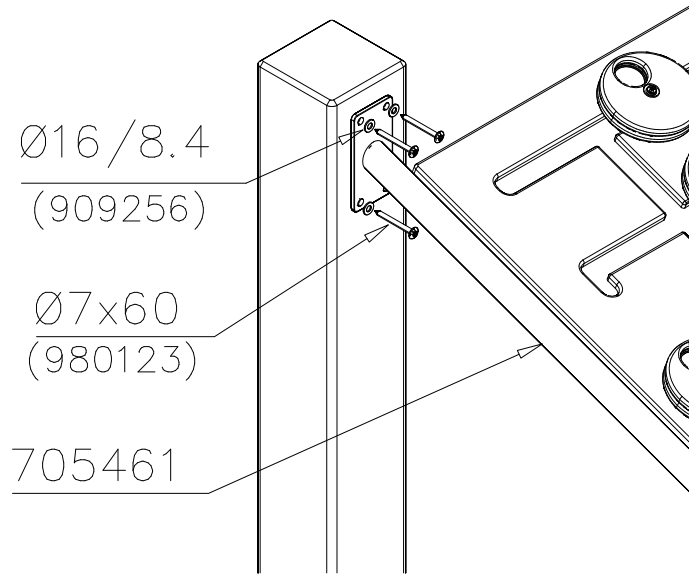
DET 23



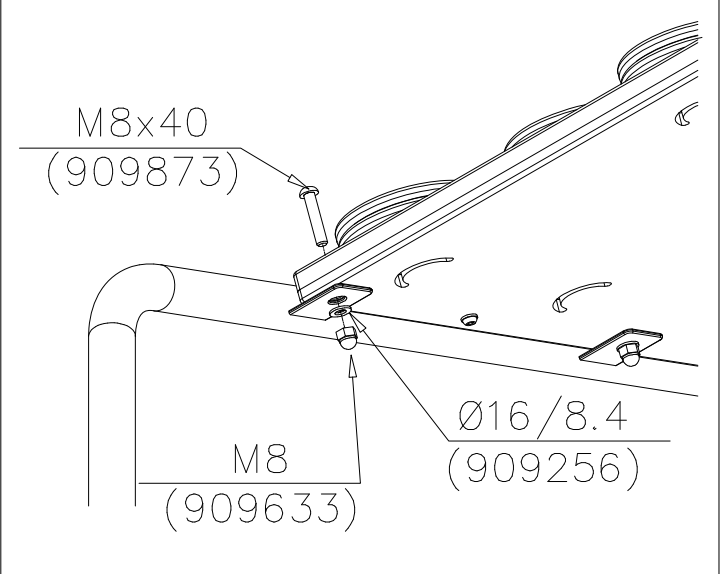
DET 24



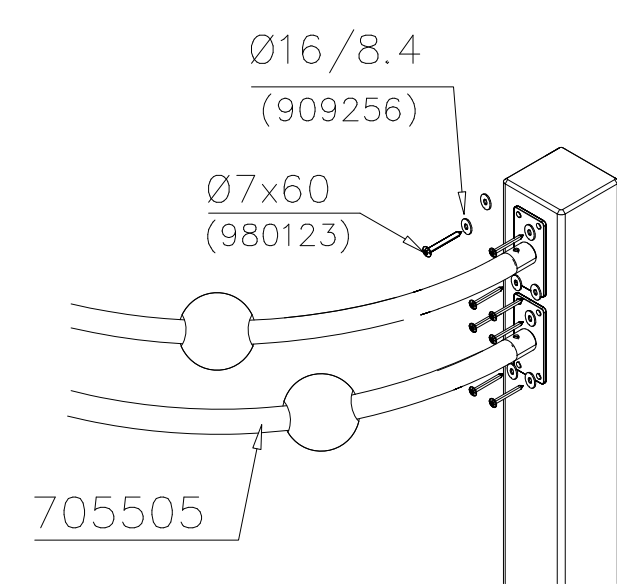
DET 31



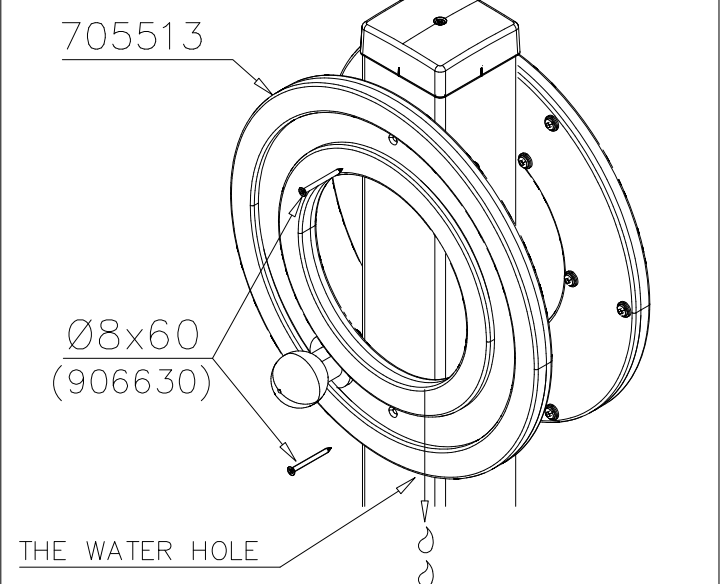
DET 32



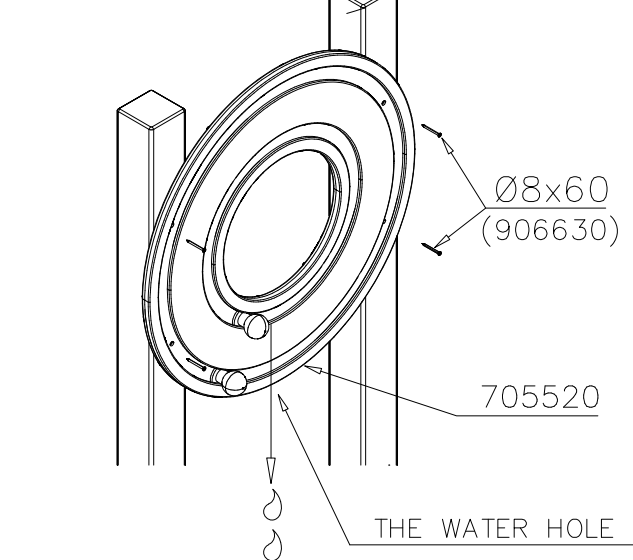
DET 33



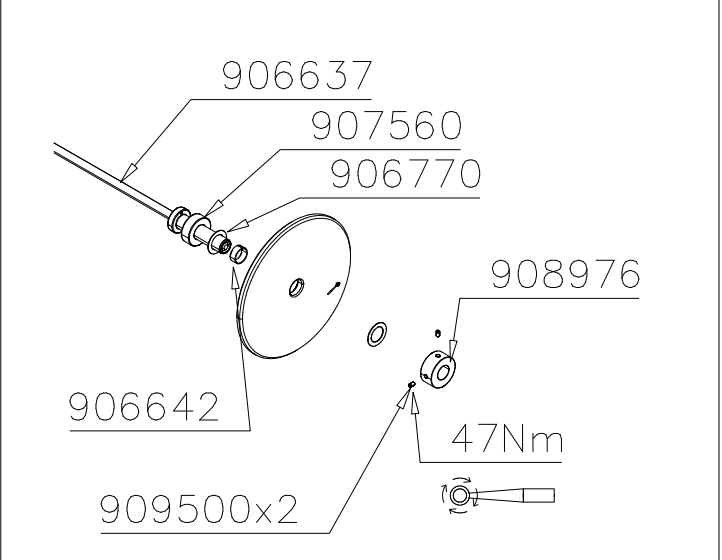
DET 34



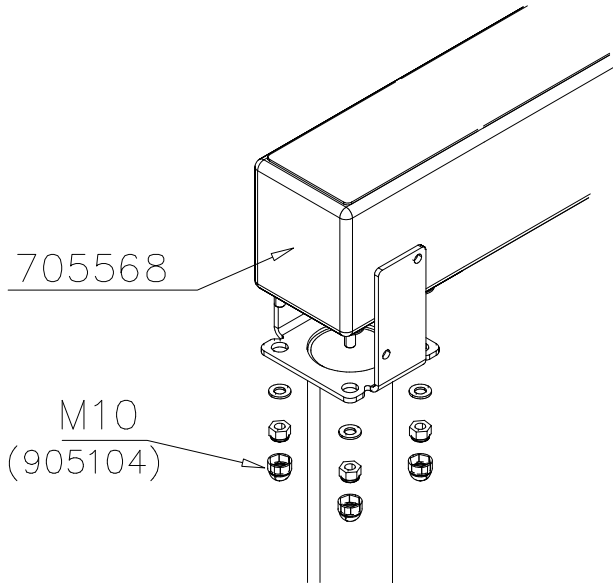
DET 35



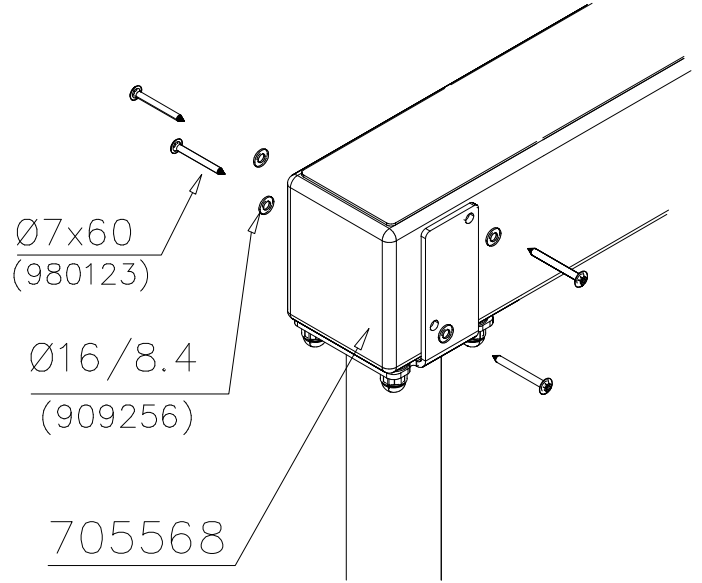
DET 36



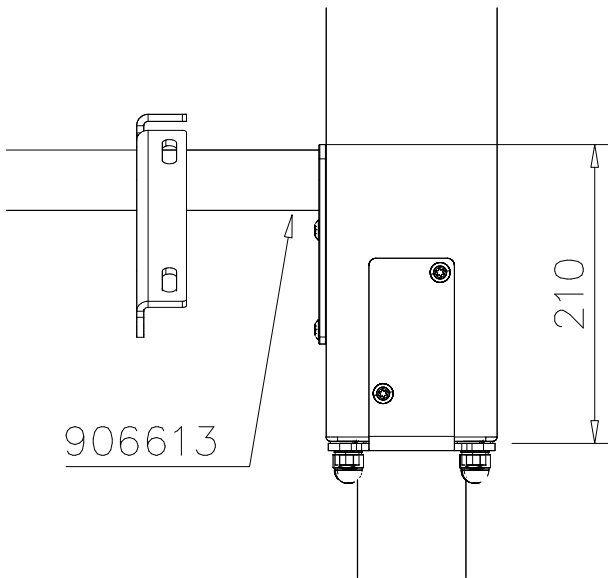
DET 37



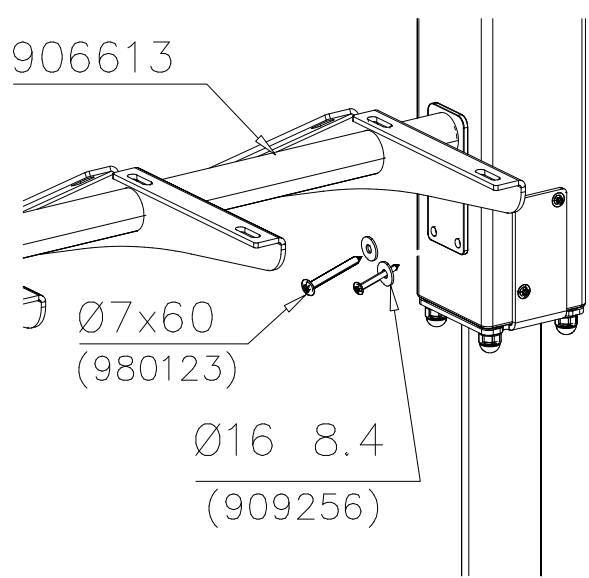
DET 38



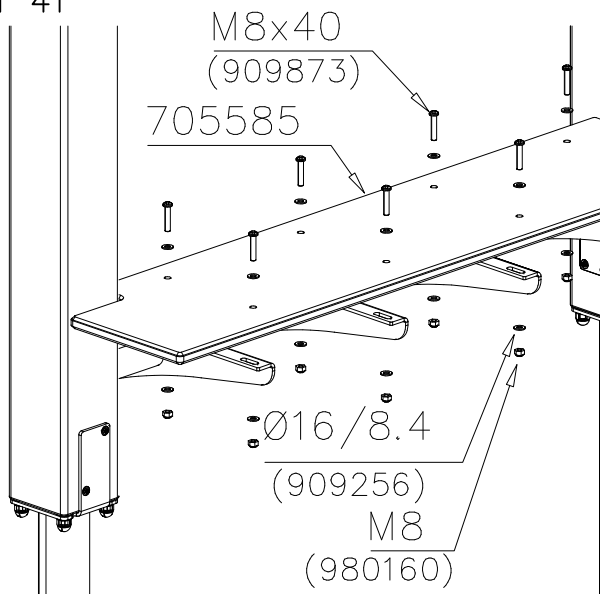
DET 39



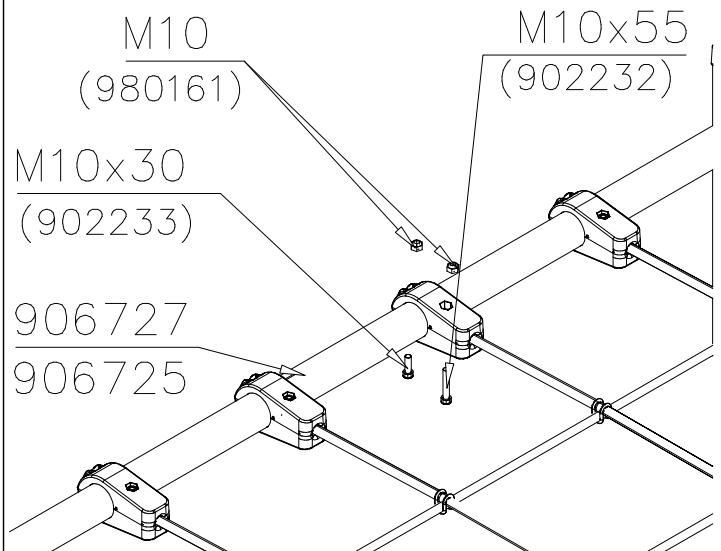
DET 40

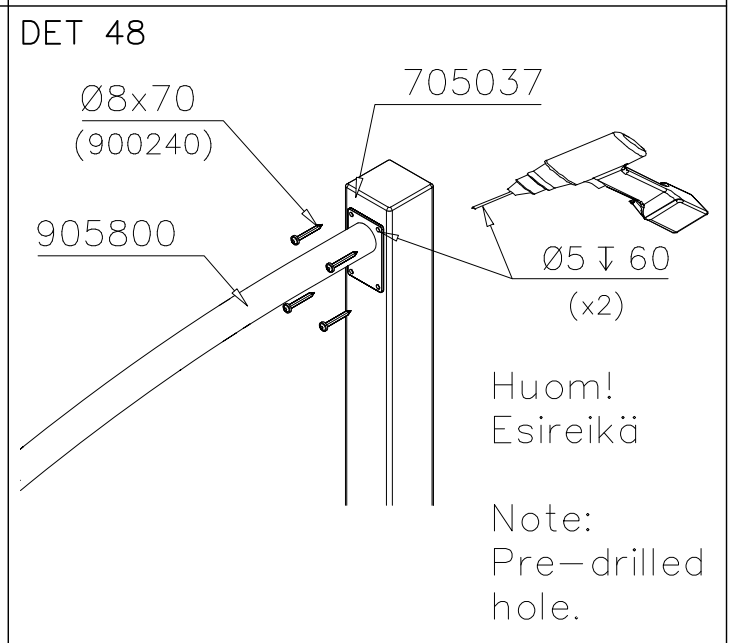
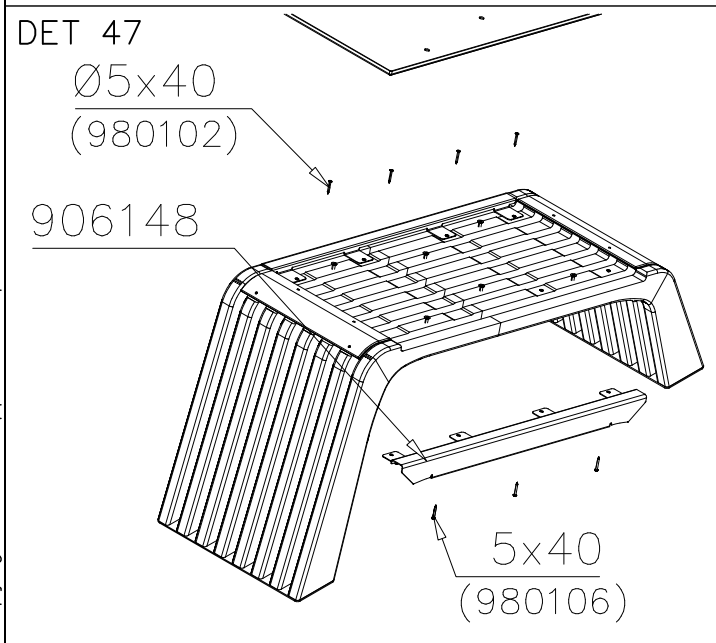
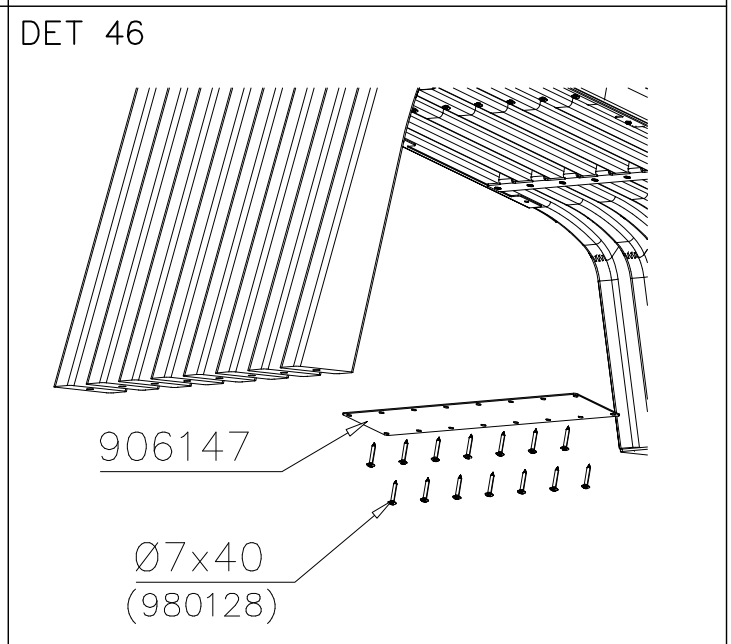
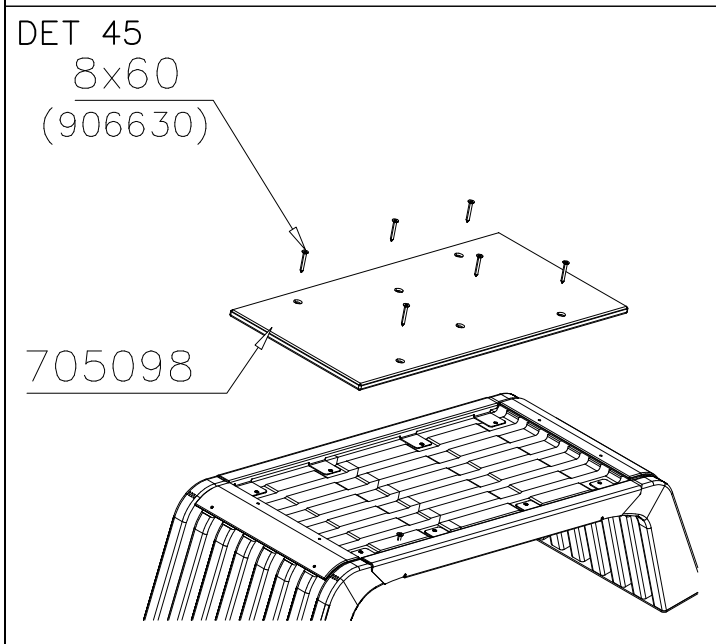
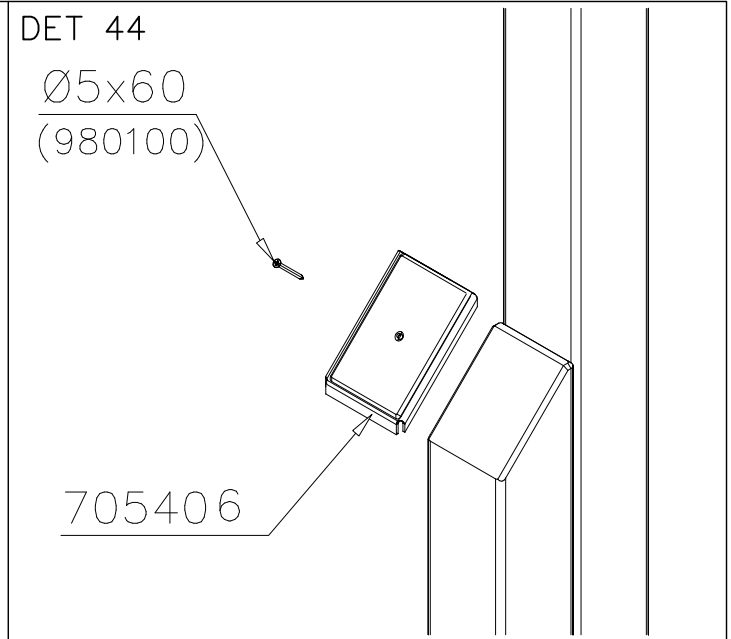
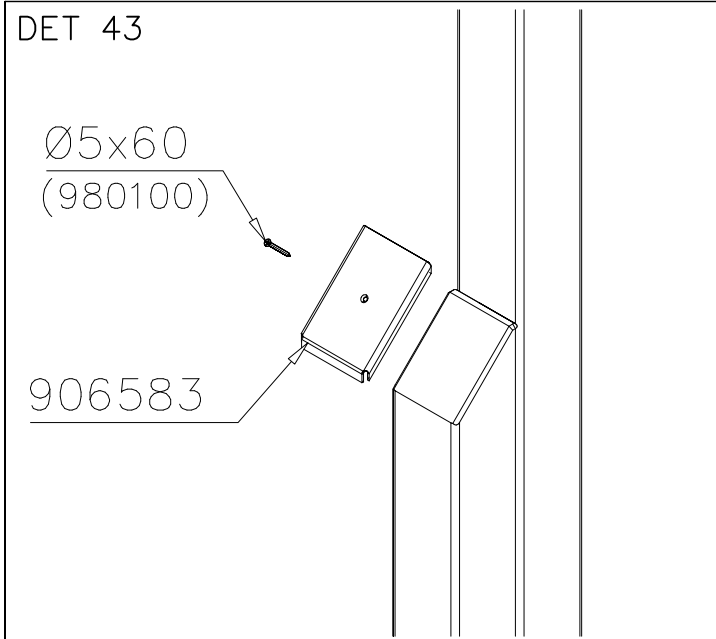


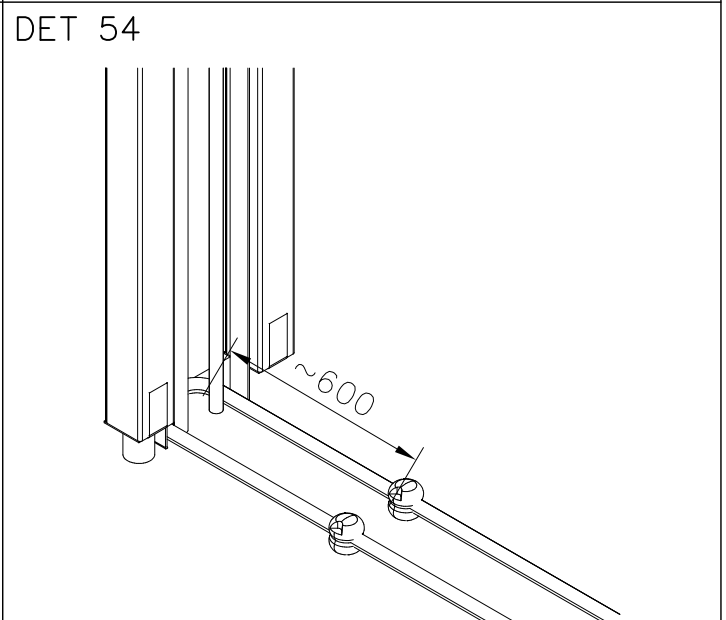
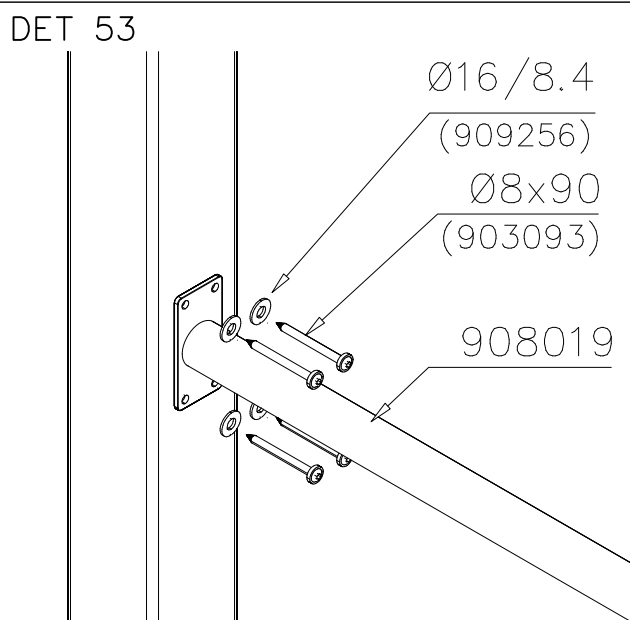
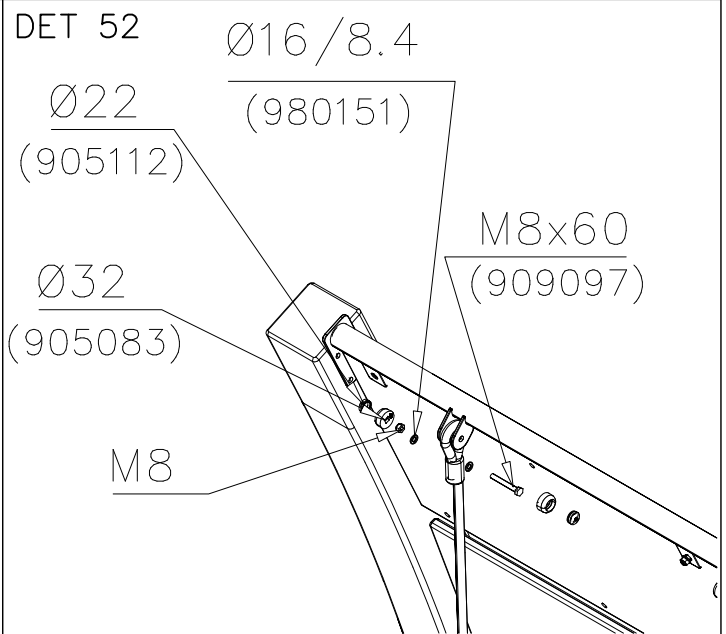
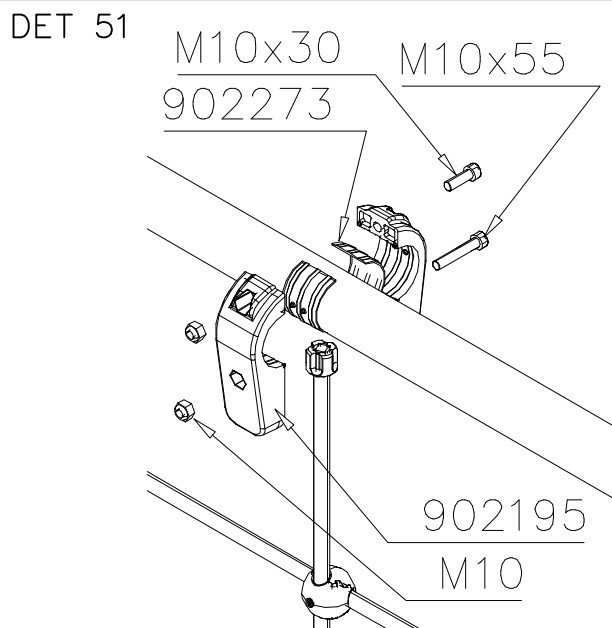
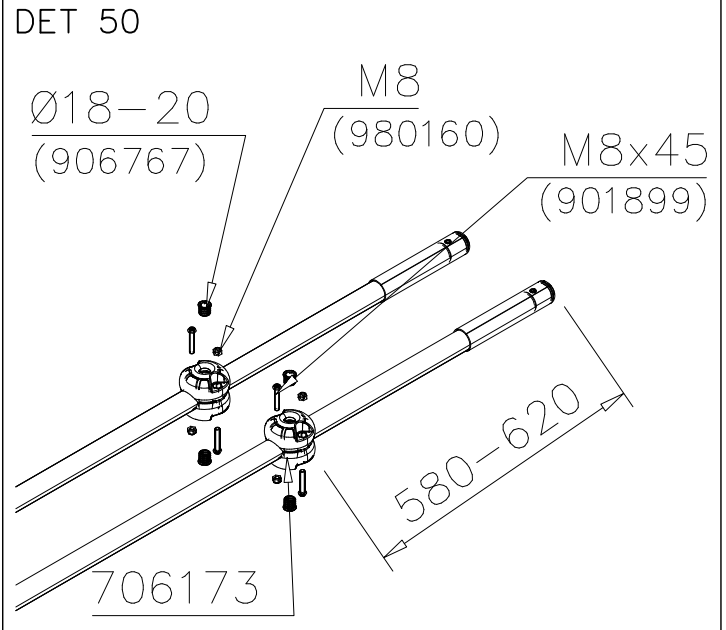
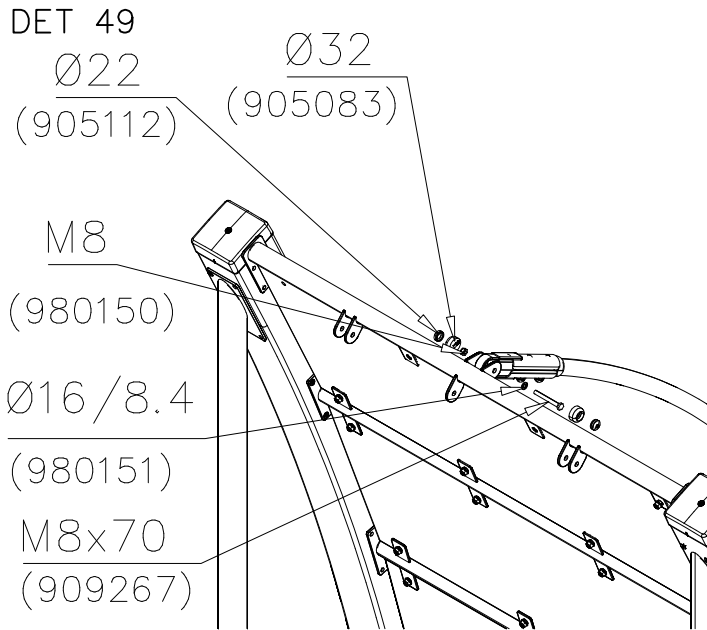
DET 41



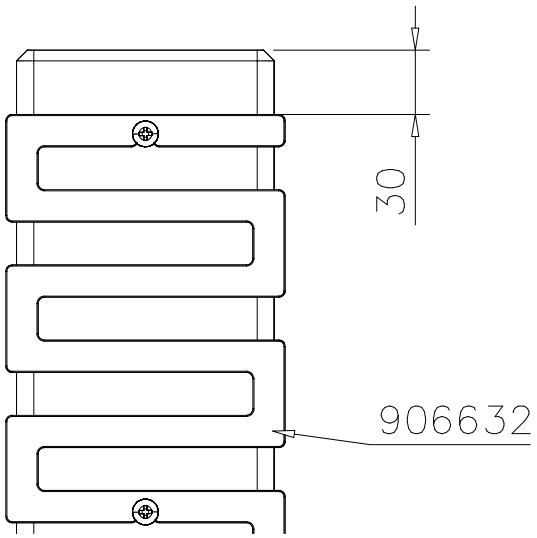
DET 42



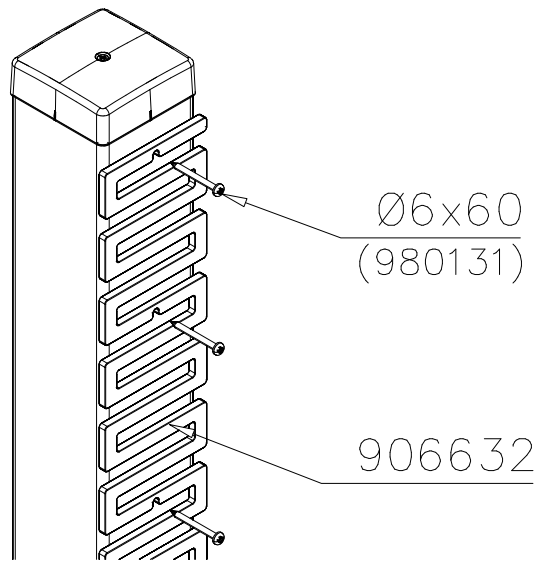




DET 55



DET 56



DET 57

DET 58

DET 59

DET 60