

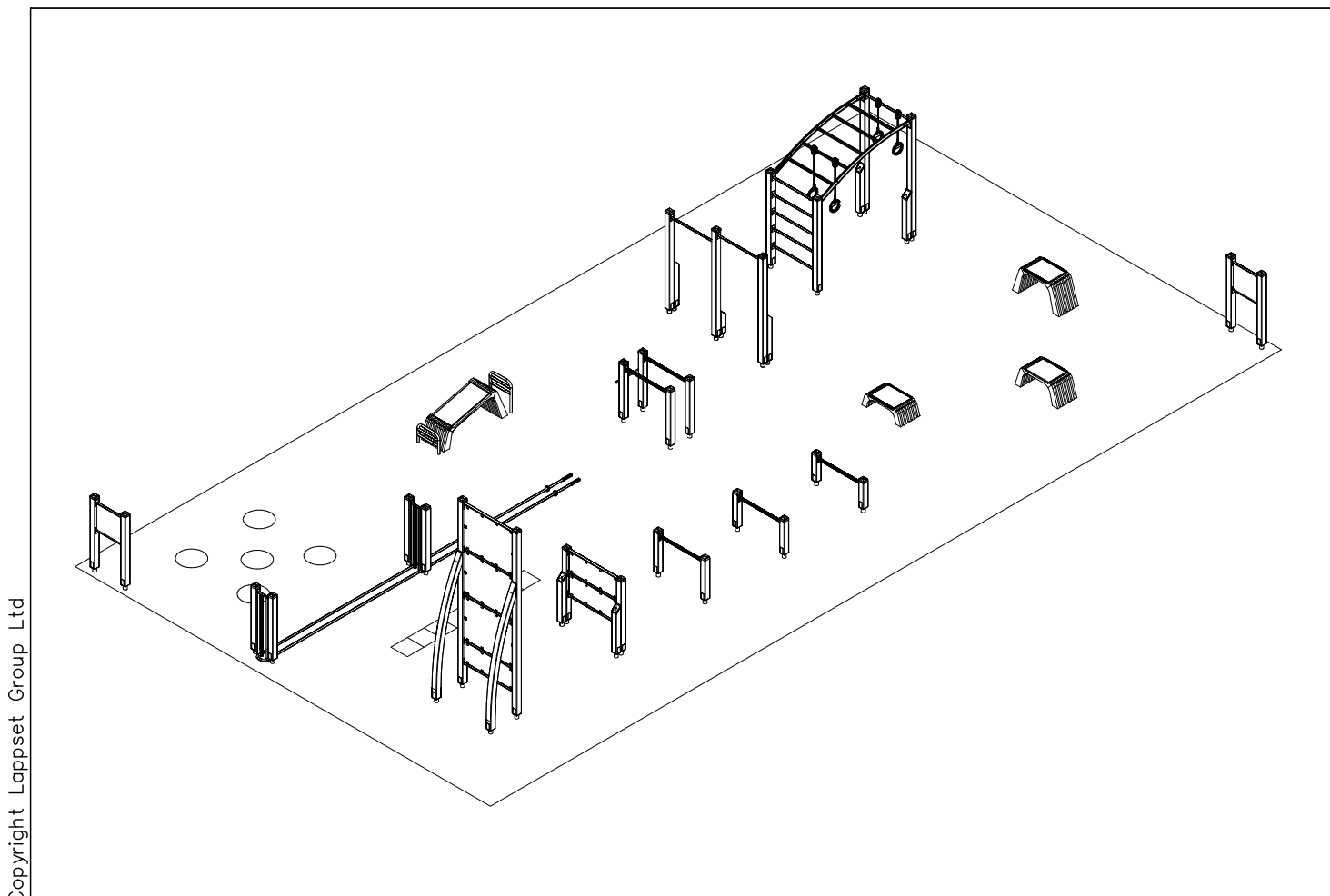
LAPPSET®

SPORT

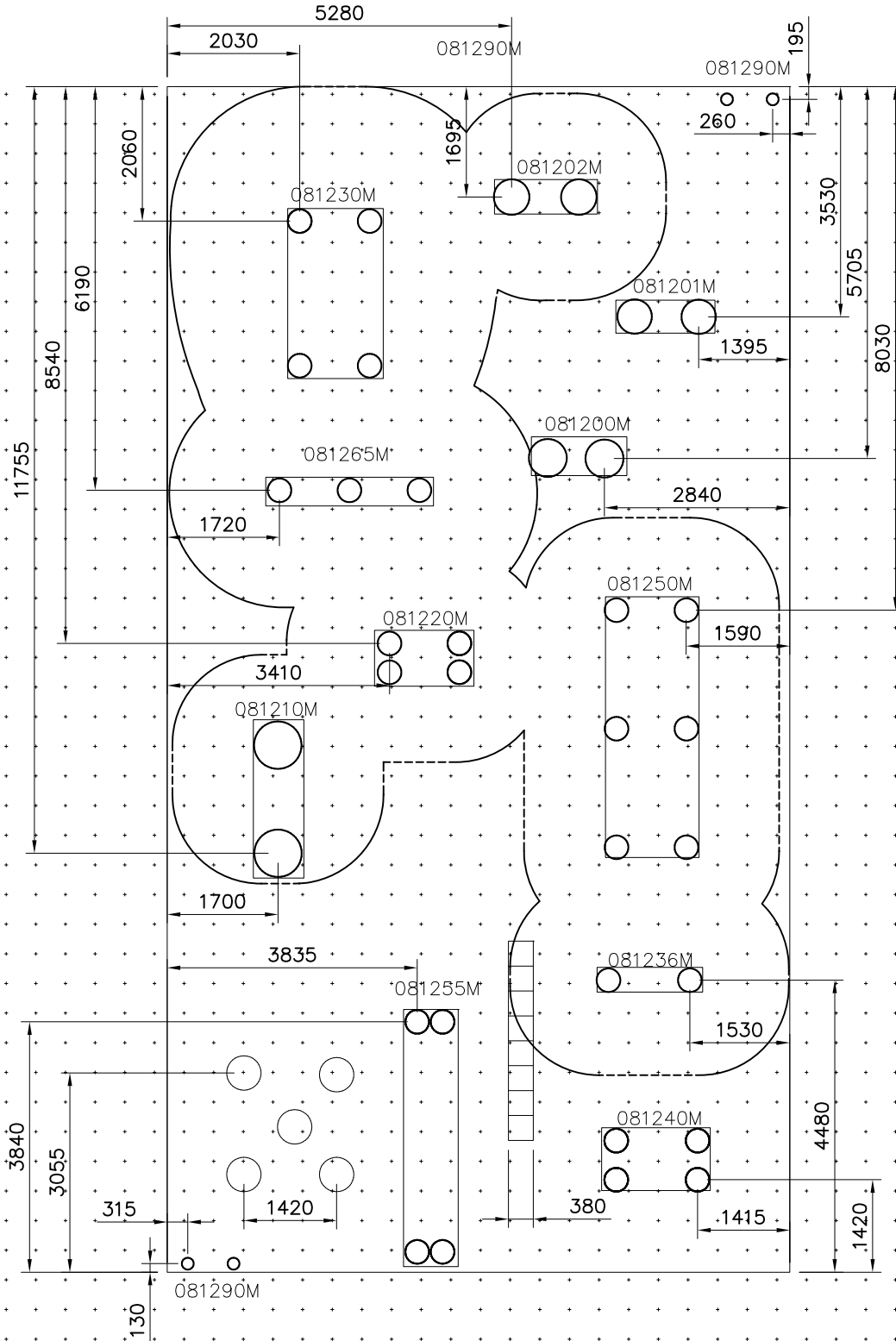
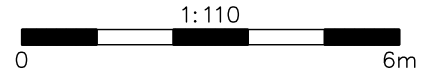
ASENNUSOHJE
MONTERINGSANSVISNING
INSTALLATION INSTRUCTION
AUFBAUANLEITUNG
NOTICE D'INSTALLATION



DATE: 21.10.2015

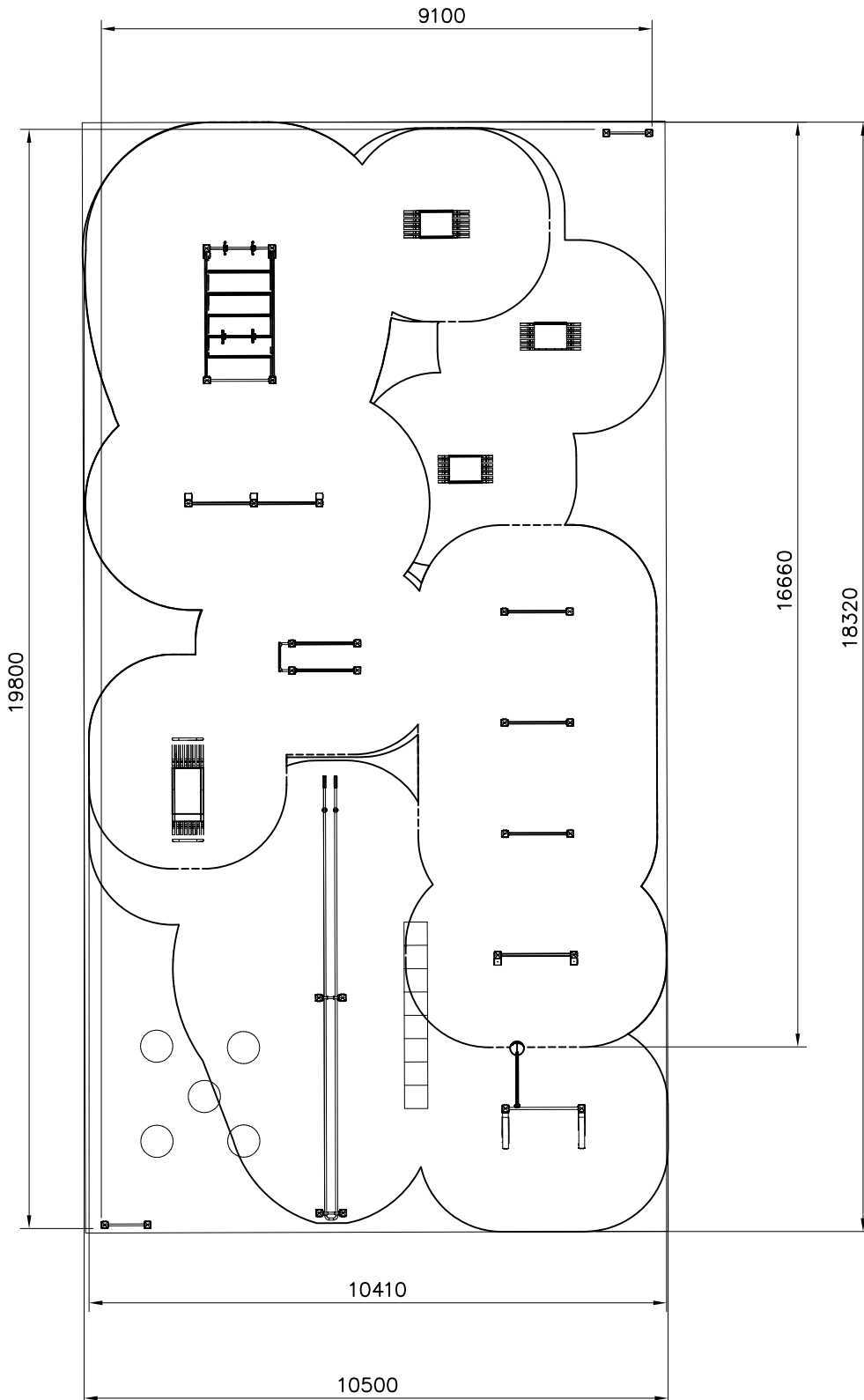
081326M

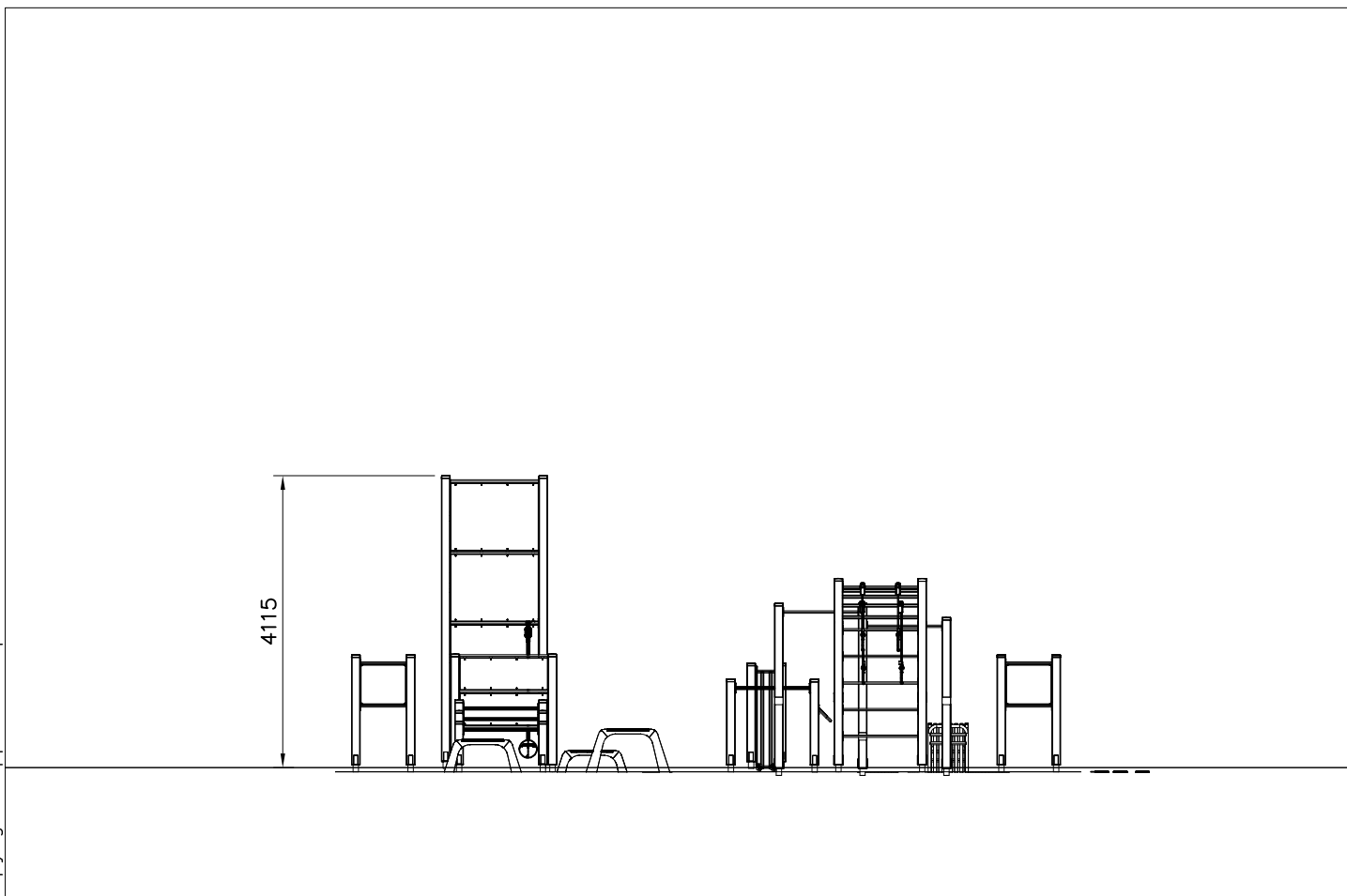


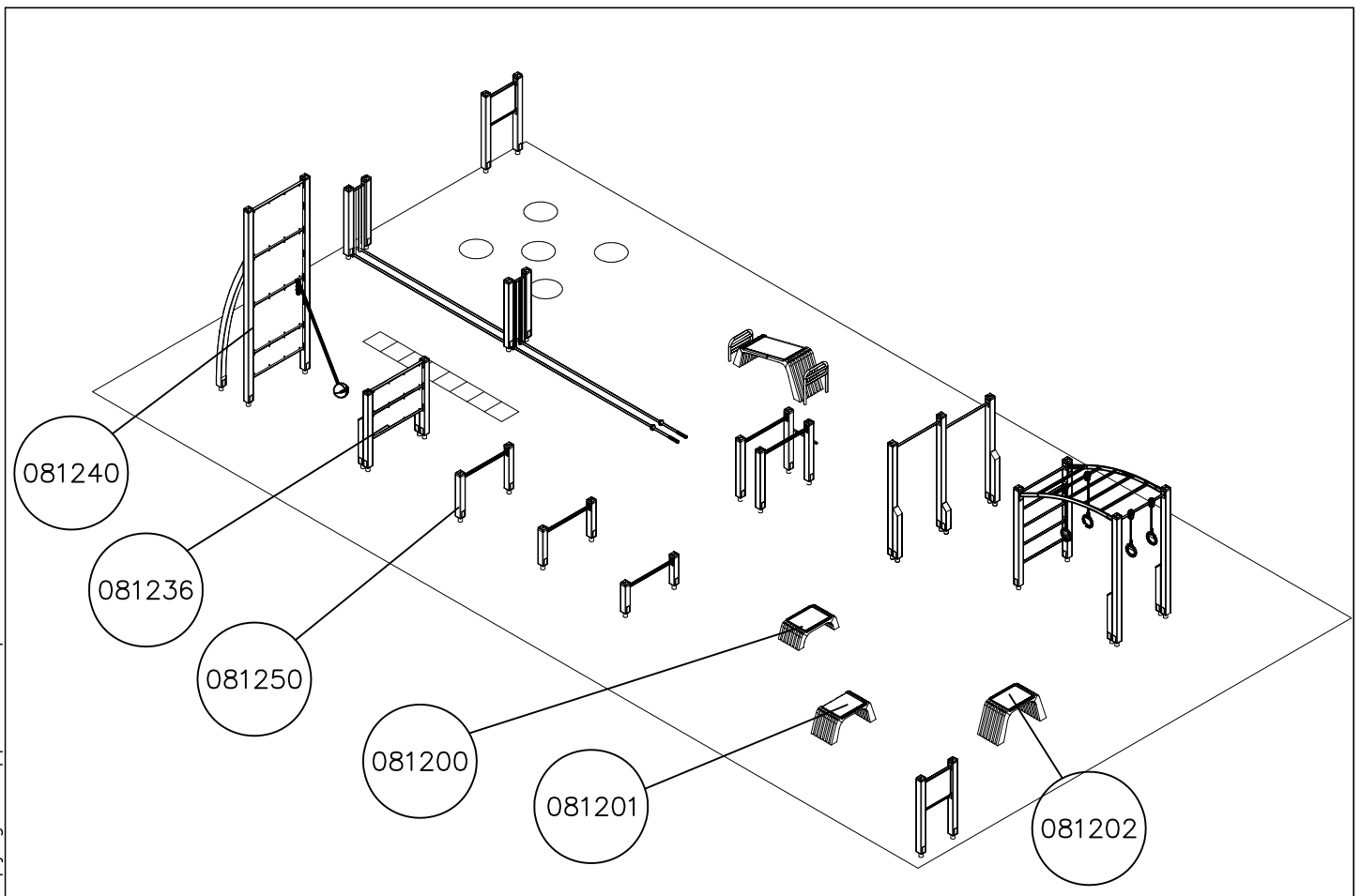
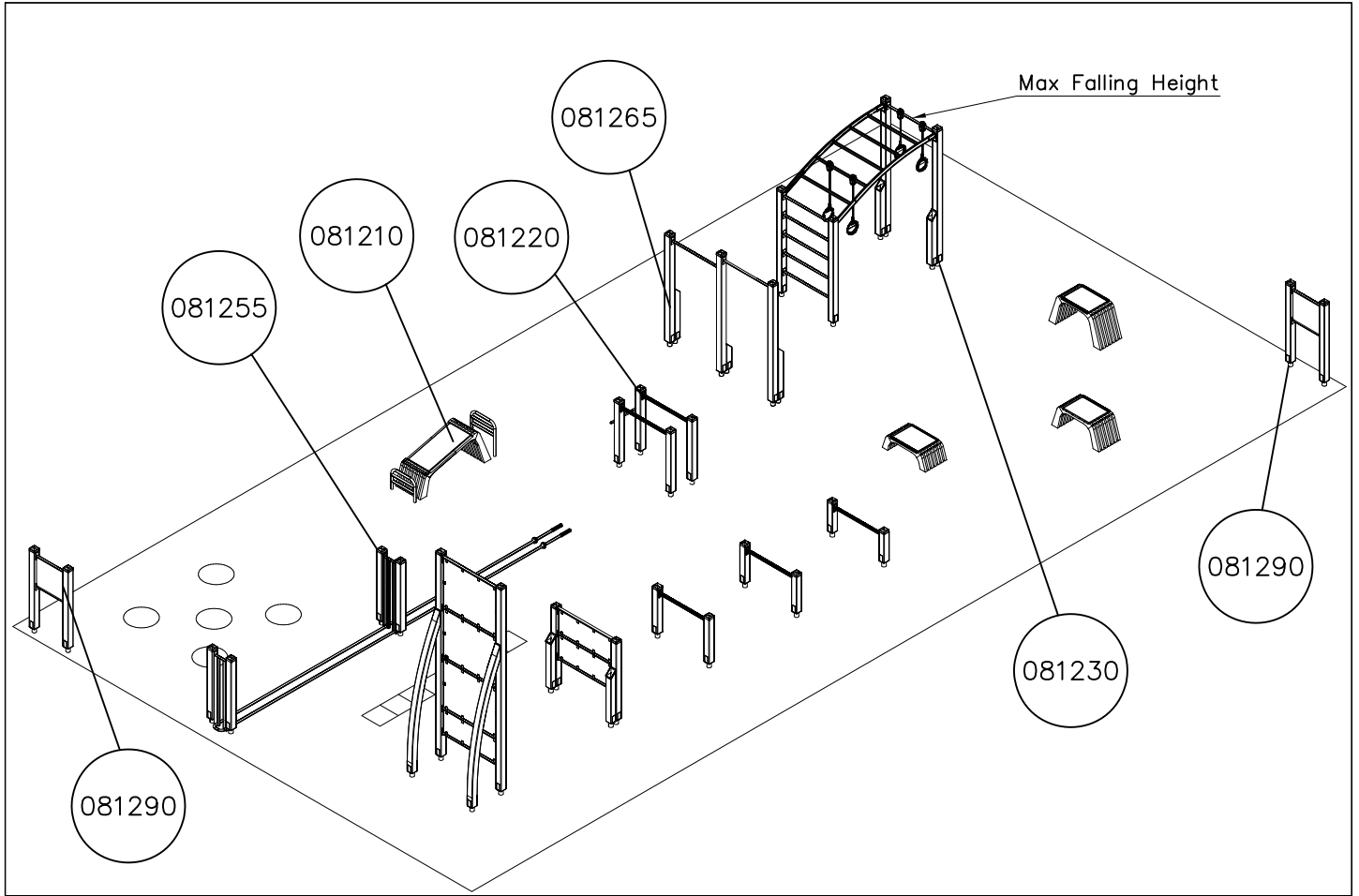
Impact Area 114.2 m²
Grid size = 500 mm

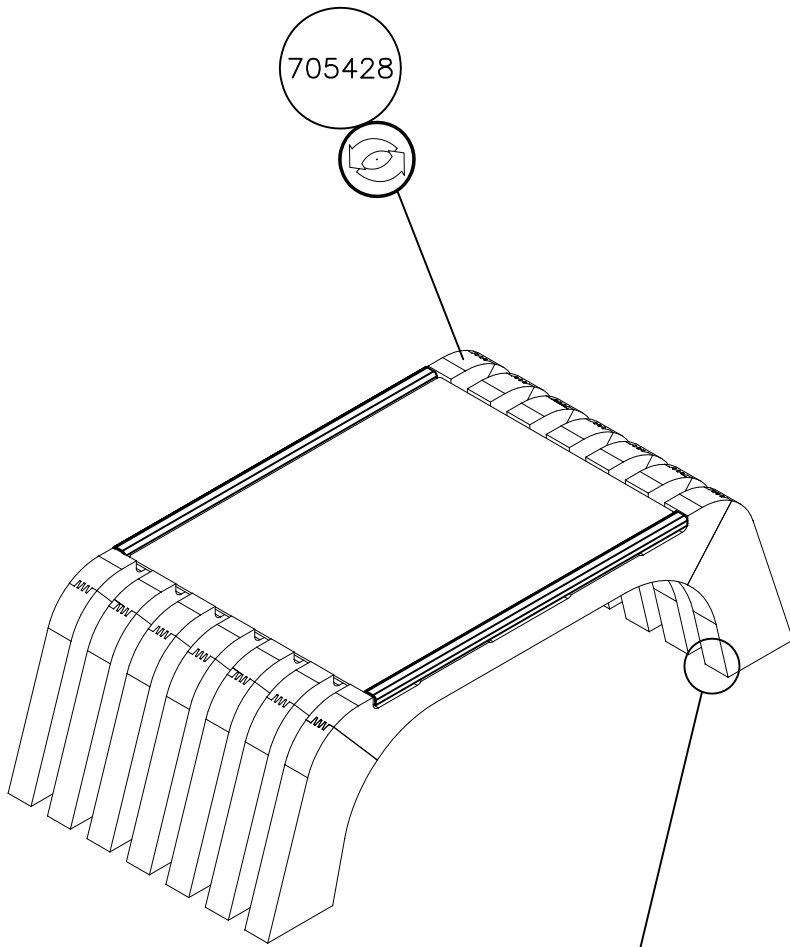


 Area of Movement 175 m²
 Impact Area 114,2 m²
 Max Falling Height = 2620 mm



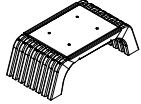
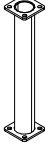
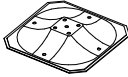
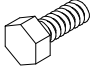




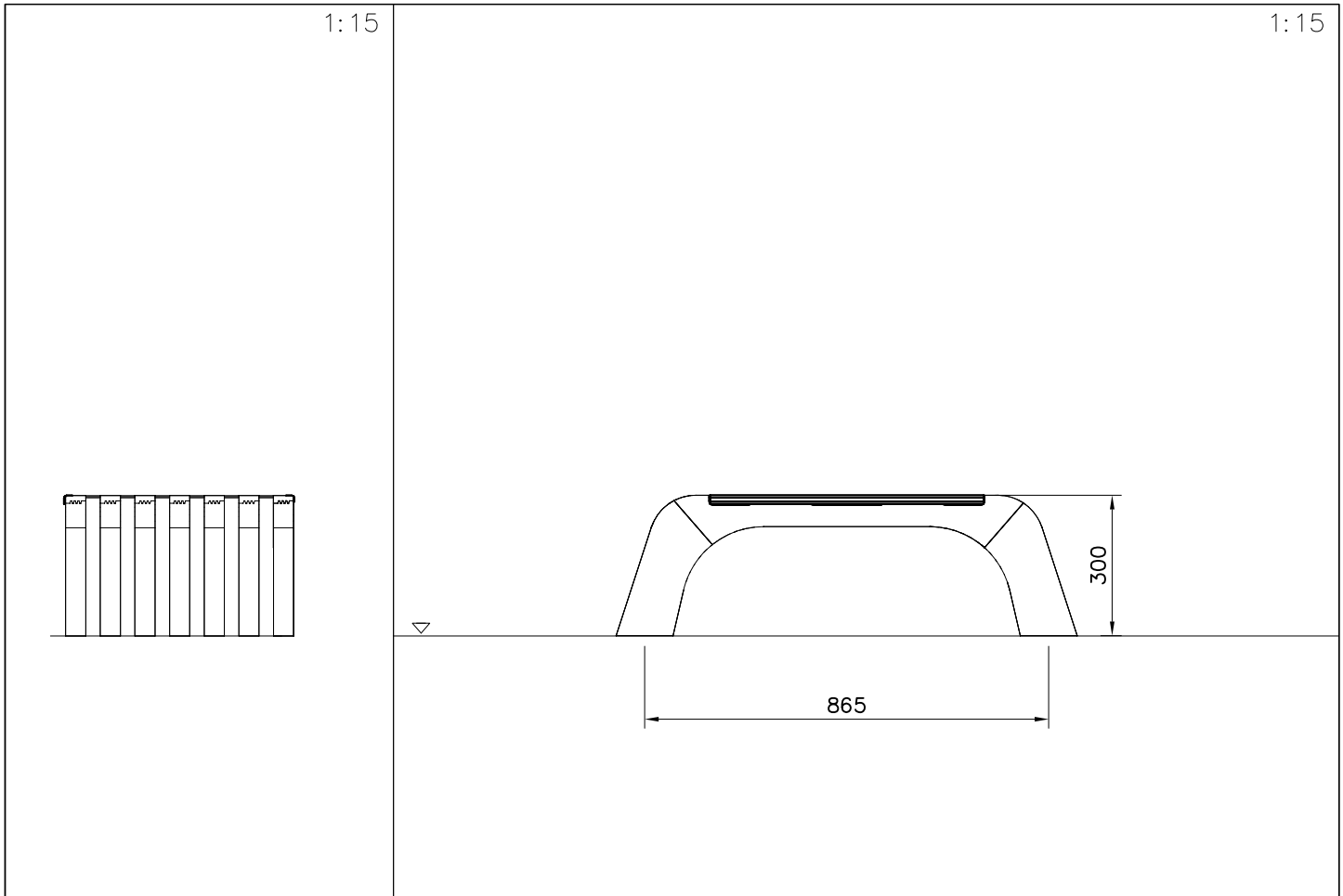






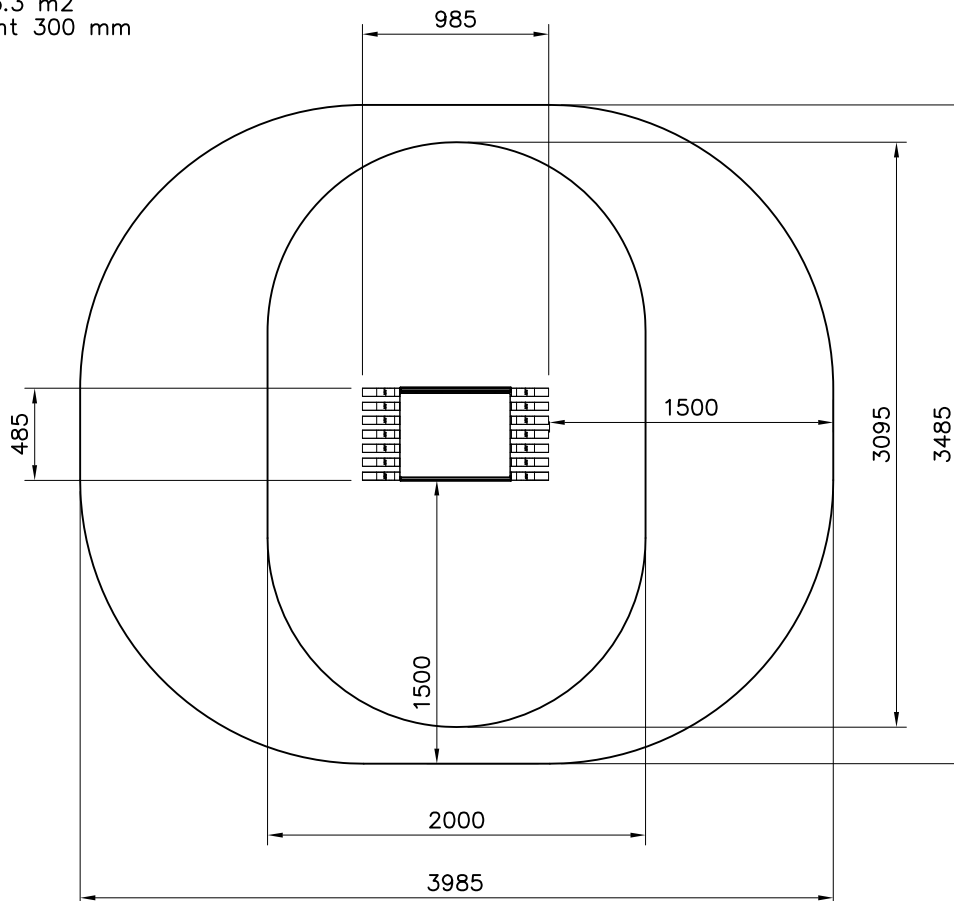
BASE
DET 22-24
OR 25-27

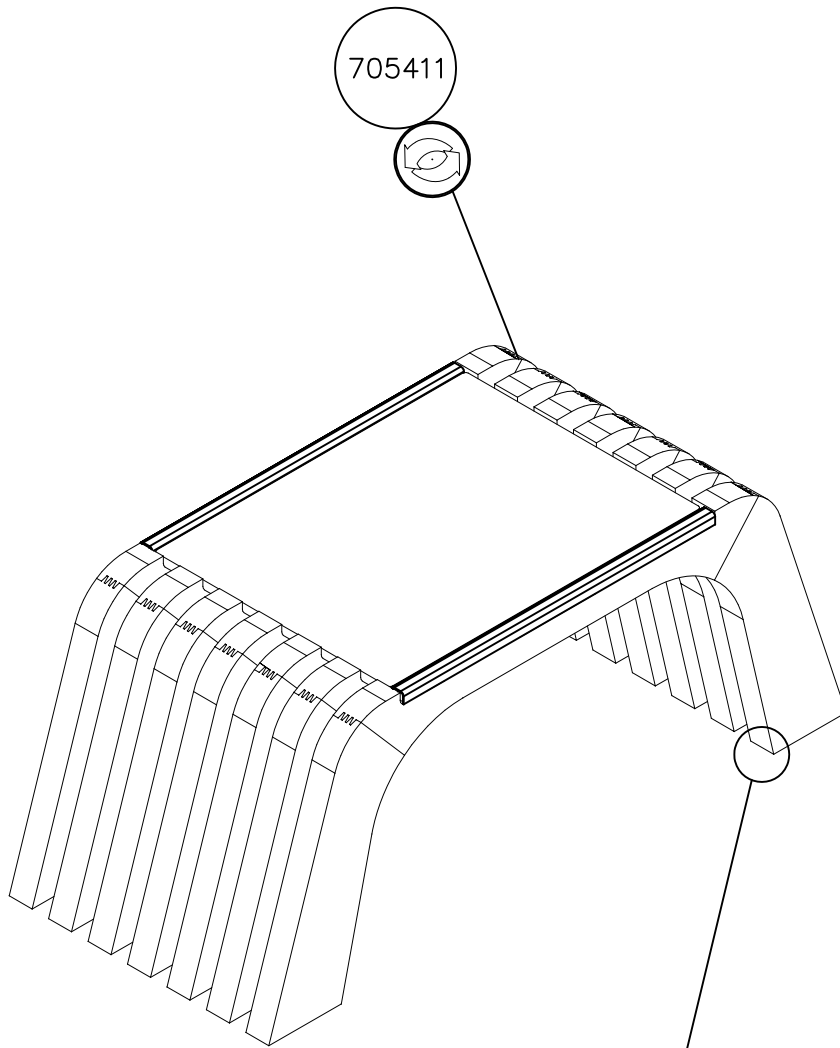
① 706017	PCS	② 980114	PCS
	1		4
		Ø4x20	
③ 705428	PCS	④ 902272	PCS
	1		4
		90x90x450	
⑤ 909519	PCS	⑥ 909639	PCS
	4		8
50x380x380		M10x25	
⑦ 909638	PCS	⑧ 909637	PCS
	16		8
Ø20/10.5		M10	
	PCS		PCS
	PCS		PCS
	PCS		PCS
	PCS		PCS



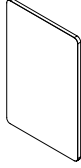

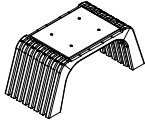


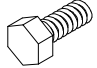
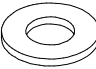

Area of Movement 12 m²
Training Space 5.3 m²
Max Falling Height 300 mm

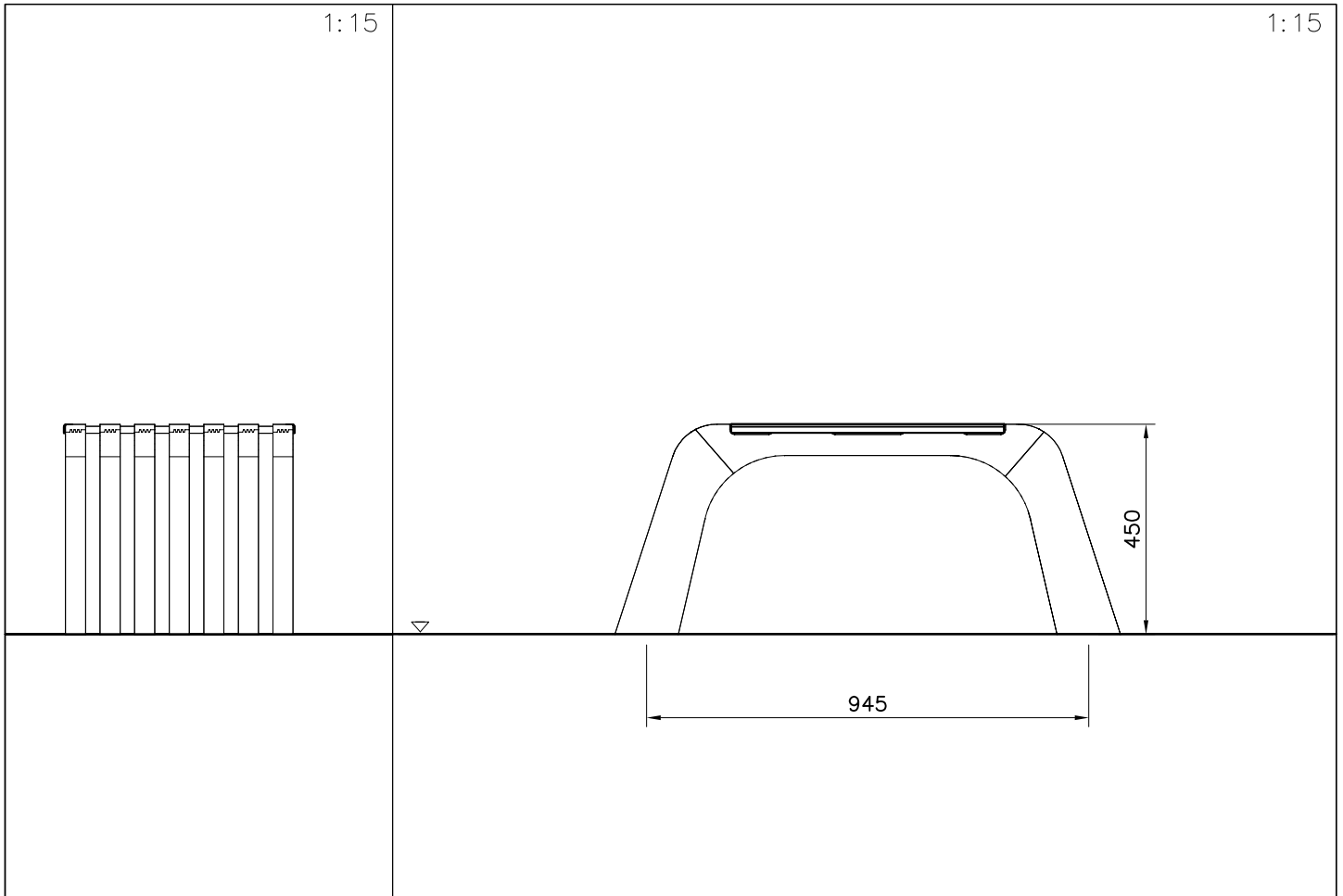
1:40





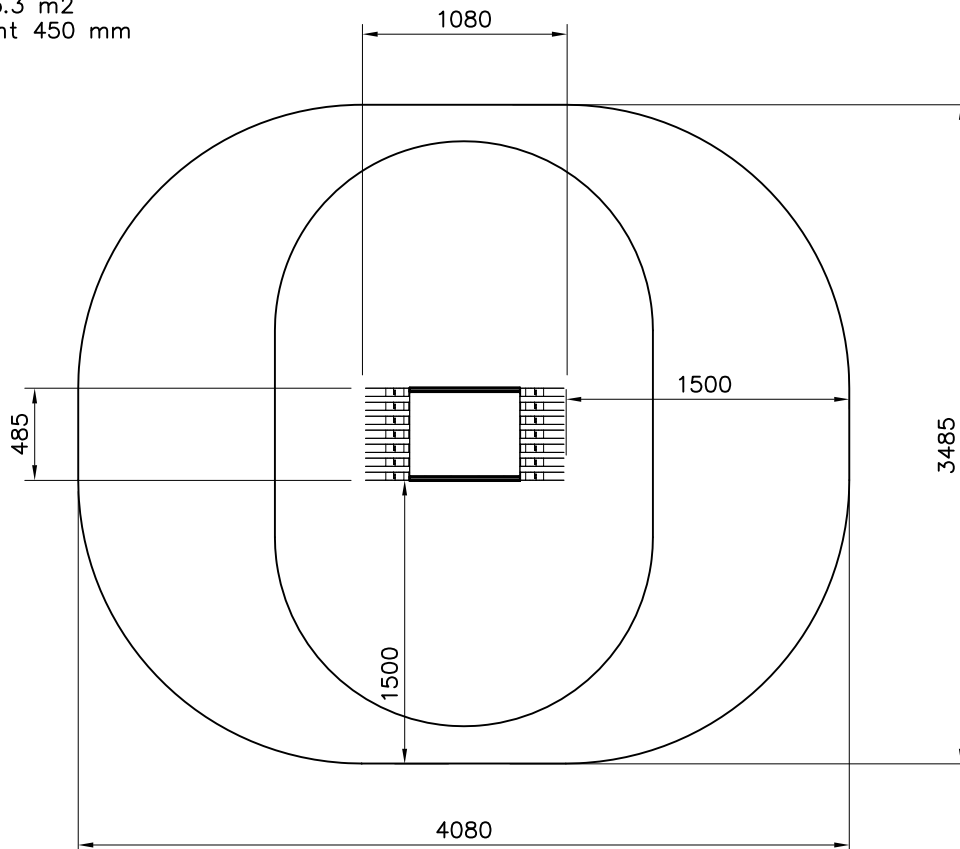
BASE
DET 22-24
OR 25-27

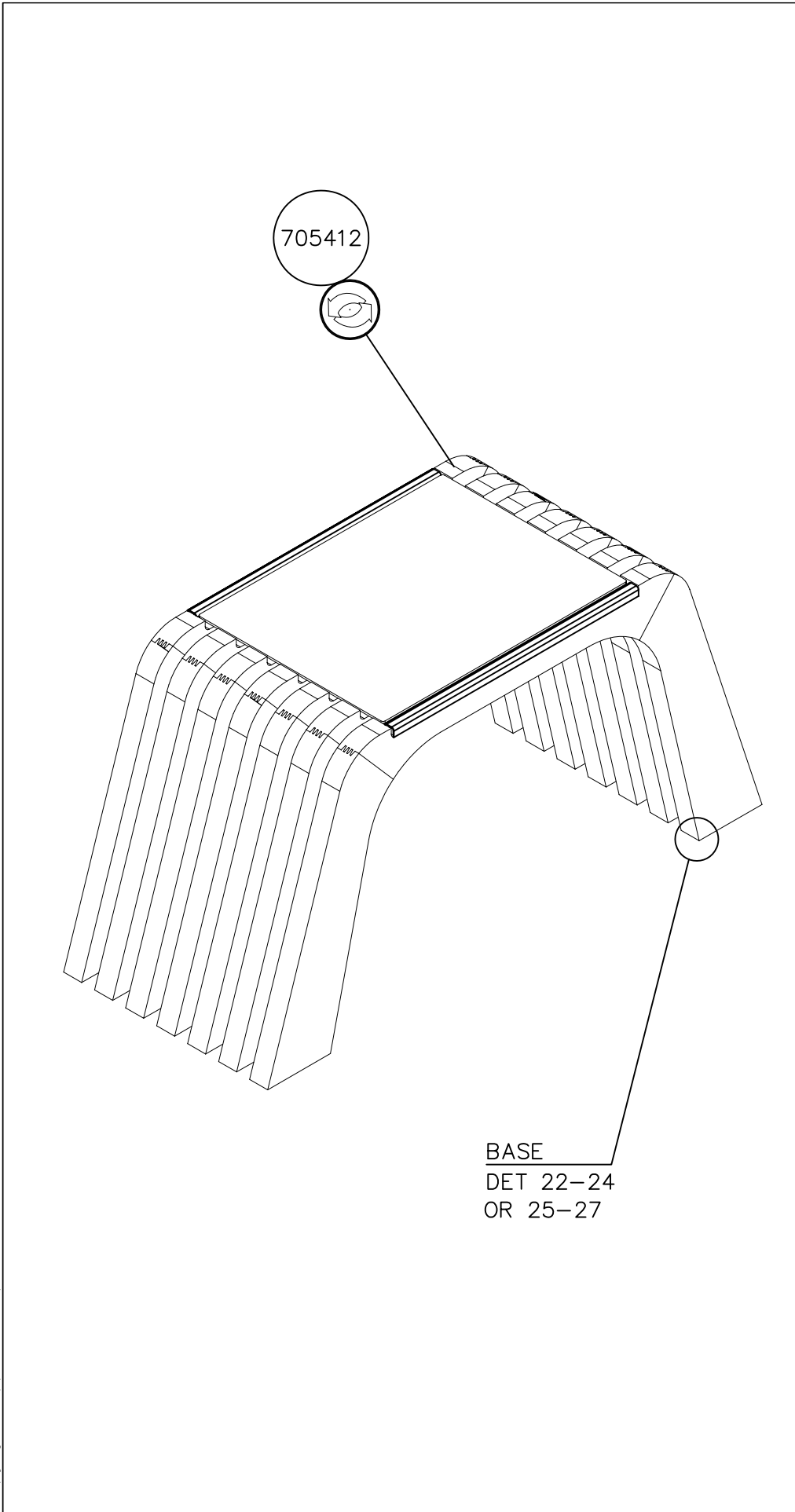
① 706018	PCS	② 980114	PCS
	1		4
		Ø4x20	
③ 705411	PCS	④ 902272	PCS
	1		4
		90x90x450	
⑤ 909519	PCS	⑥ 909639	PCS
	4		8
50x380x380		M10x25	
⑦ 909638	PCS	⑧ 909637	PCS
	16		8
Ø20/10.5		M10	
	PCS		PCS
	PCS		PCS
	PCS		PCS



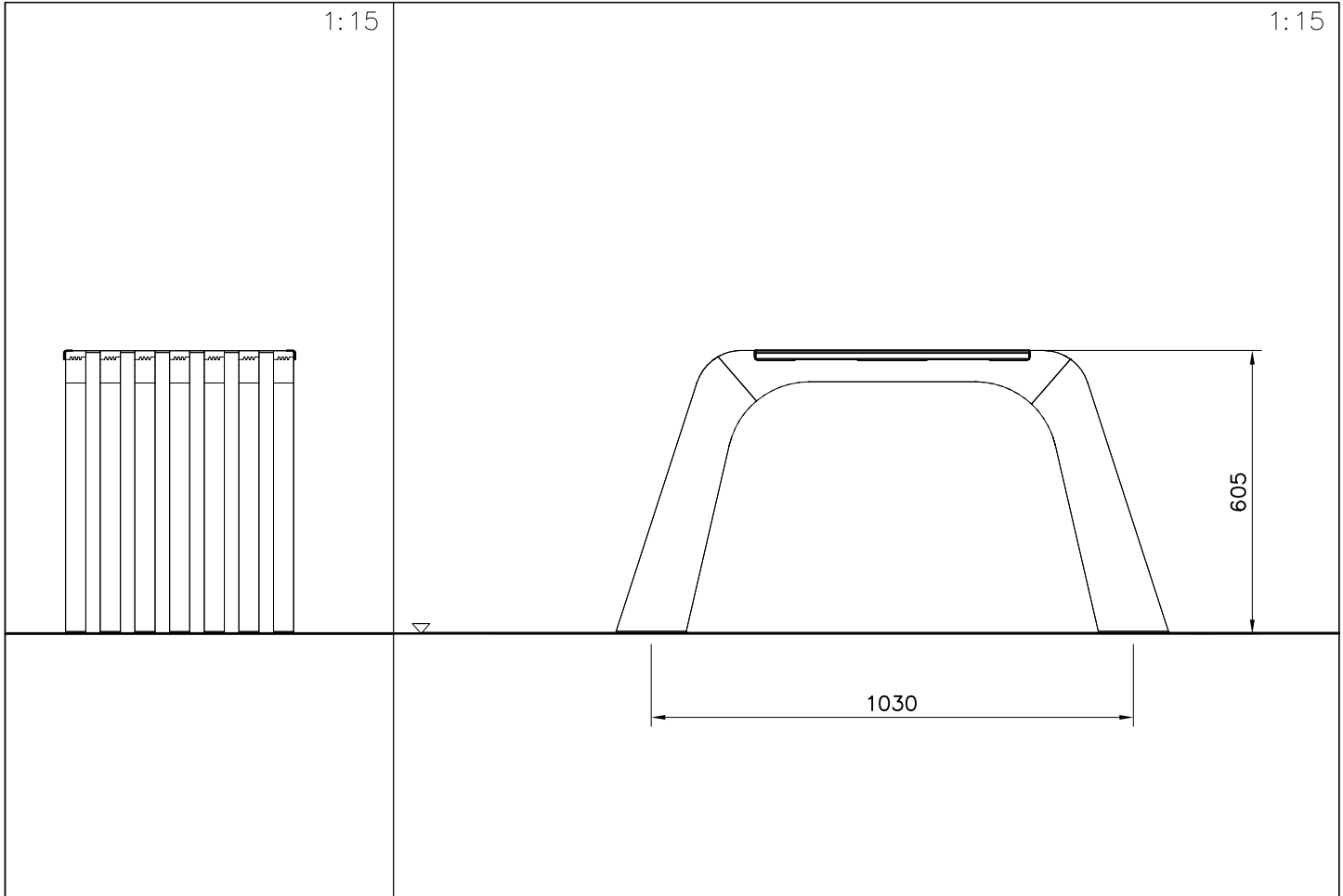
Area of Movement 12.3 m²
Training Space 5.3 m²
Max Falling Height 450 mm

1:40



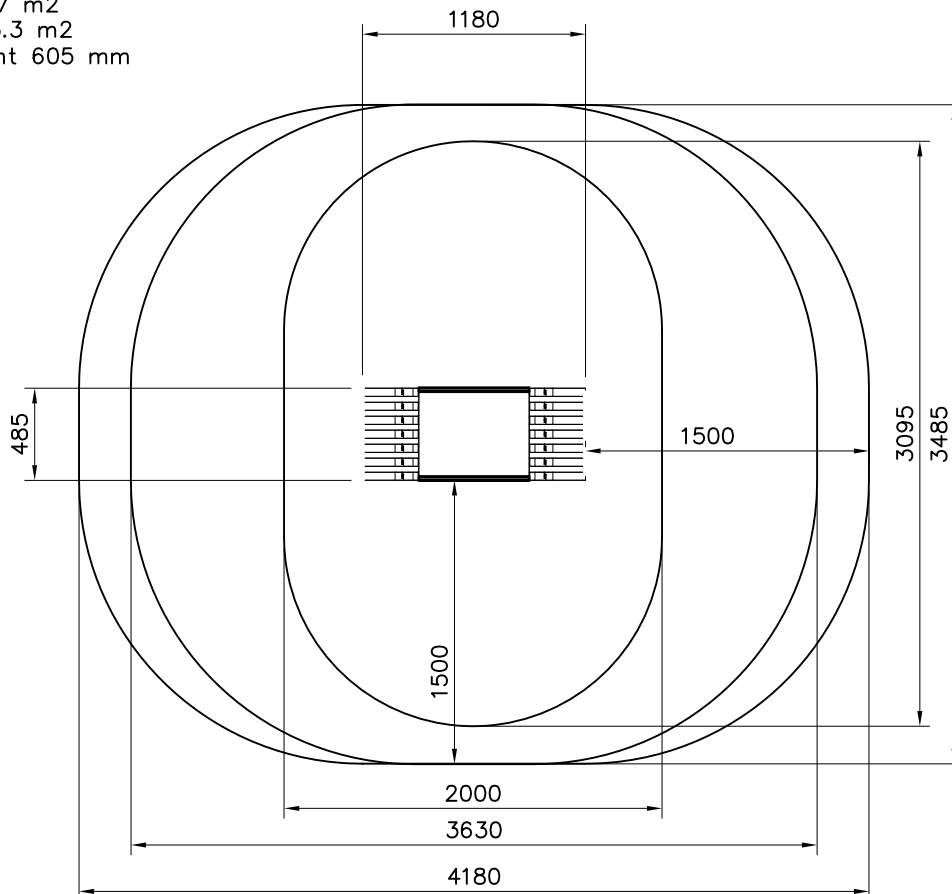


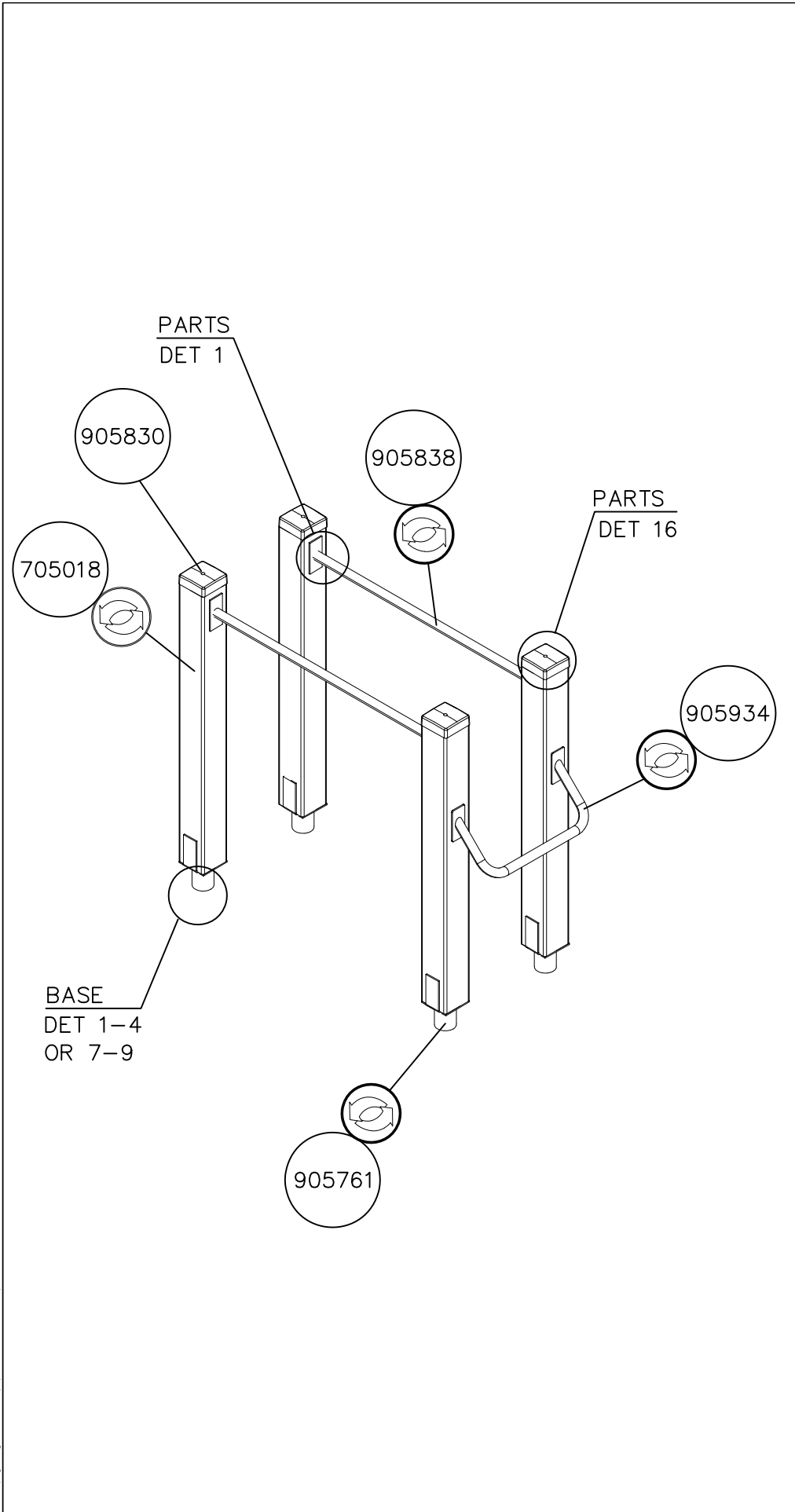
①	706019	PCS	②	980114	PCS
		1			4
				Ø4x20	
③	705412	PCS	④	902272	PCS
		1			4
				90x90x450	
⑤	909519	PCS	⑥	909639	PCS
		4			8
	50x380x380			M10x25	
⑦	909638	PCS	⑧	909637	PCS
		16			8
	Ø20/10.5			M10	
		PCS			PCS
		PCS			PCS
		PCS			PCS
		PCS			PCS



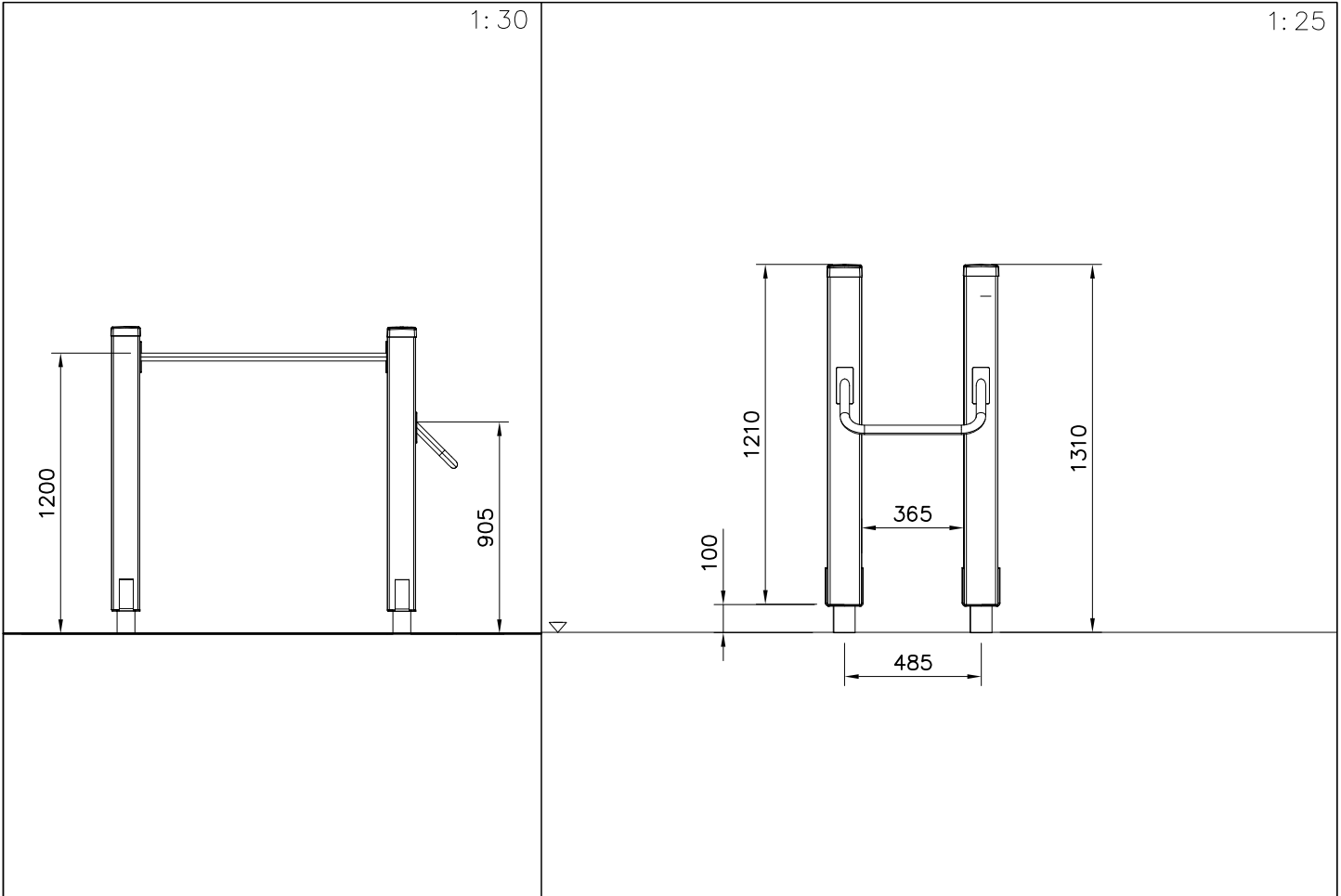
Area of Movement 12.6 m²
Impact Area 10.7 m²
Training Space 5.3 m²
Max Falling Height 605 mm

1:40



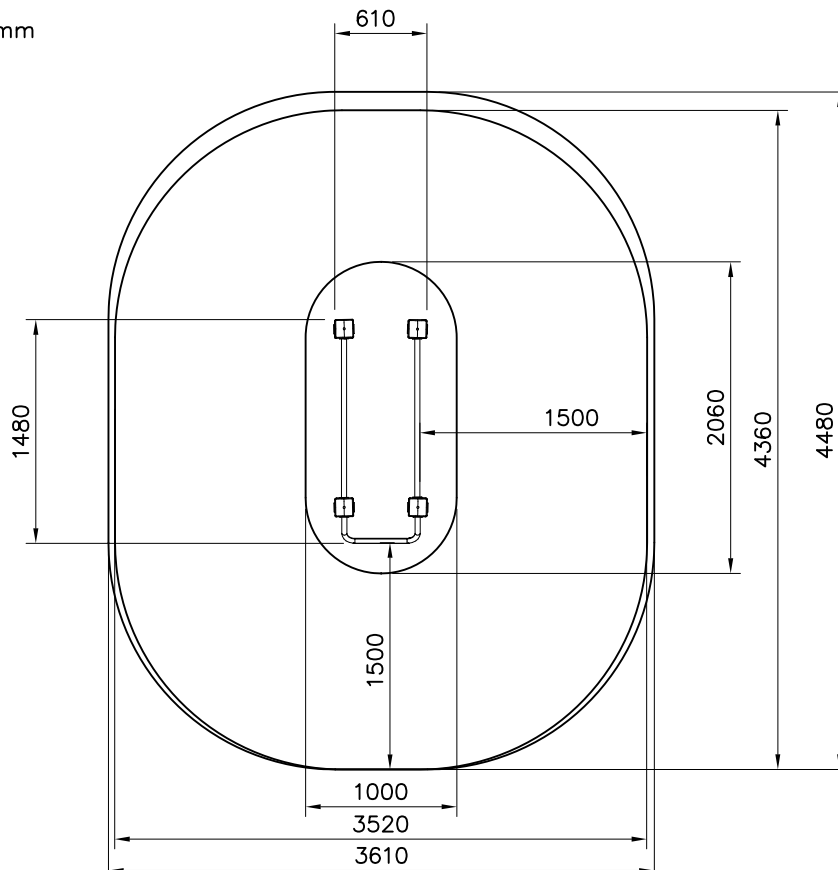


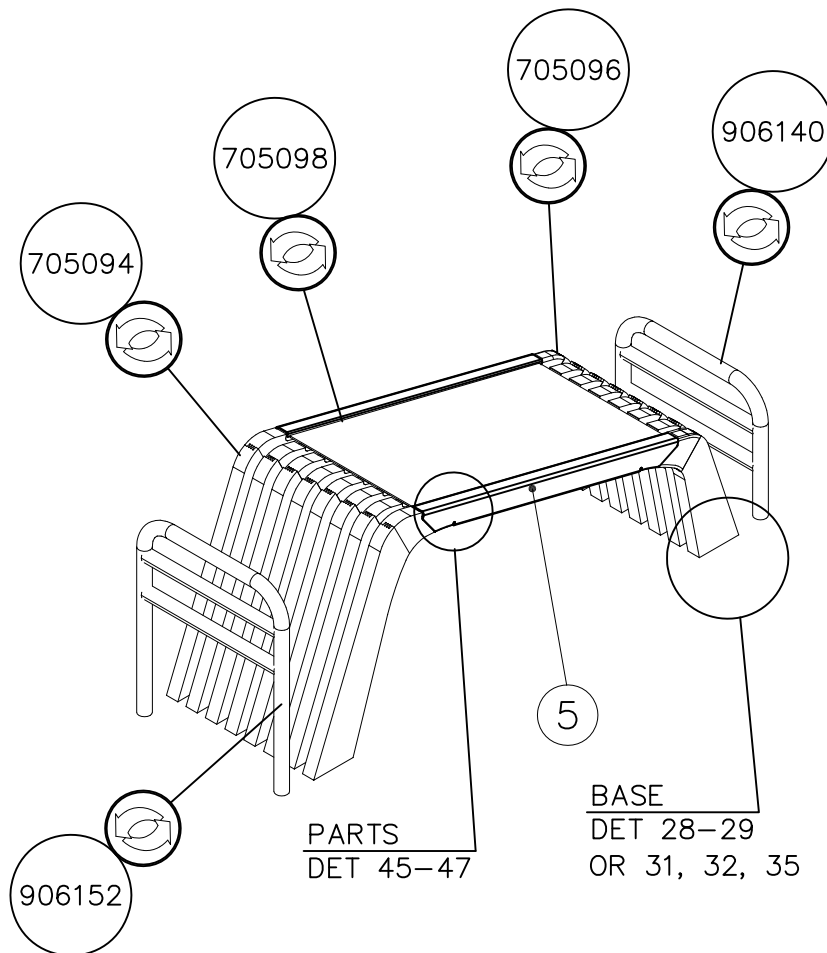
①	706024	PCS	②	705018	PCS
		1			4
				120x120x1170	
③	980114	PCS	④	980123	PCS
		4			40
	Ø4x20			Ø7x60	
⑤	905761	PCS	⑥	905830	PCS
		4			4
	120x120x700			123x123x40	
⑦	905838	PCS	⑧	905934	PCS
		2			1
	L=1060			L=485	
⑨	980104	PCS	⑩	905104	PCS
		4			16
	Ø5x90			M10	
⑪	909256	PCS			PCS
		40			
	Ø16/8.4				
		PCS			PCS
		PCS			PCS



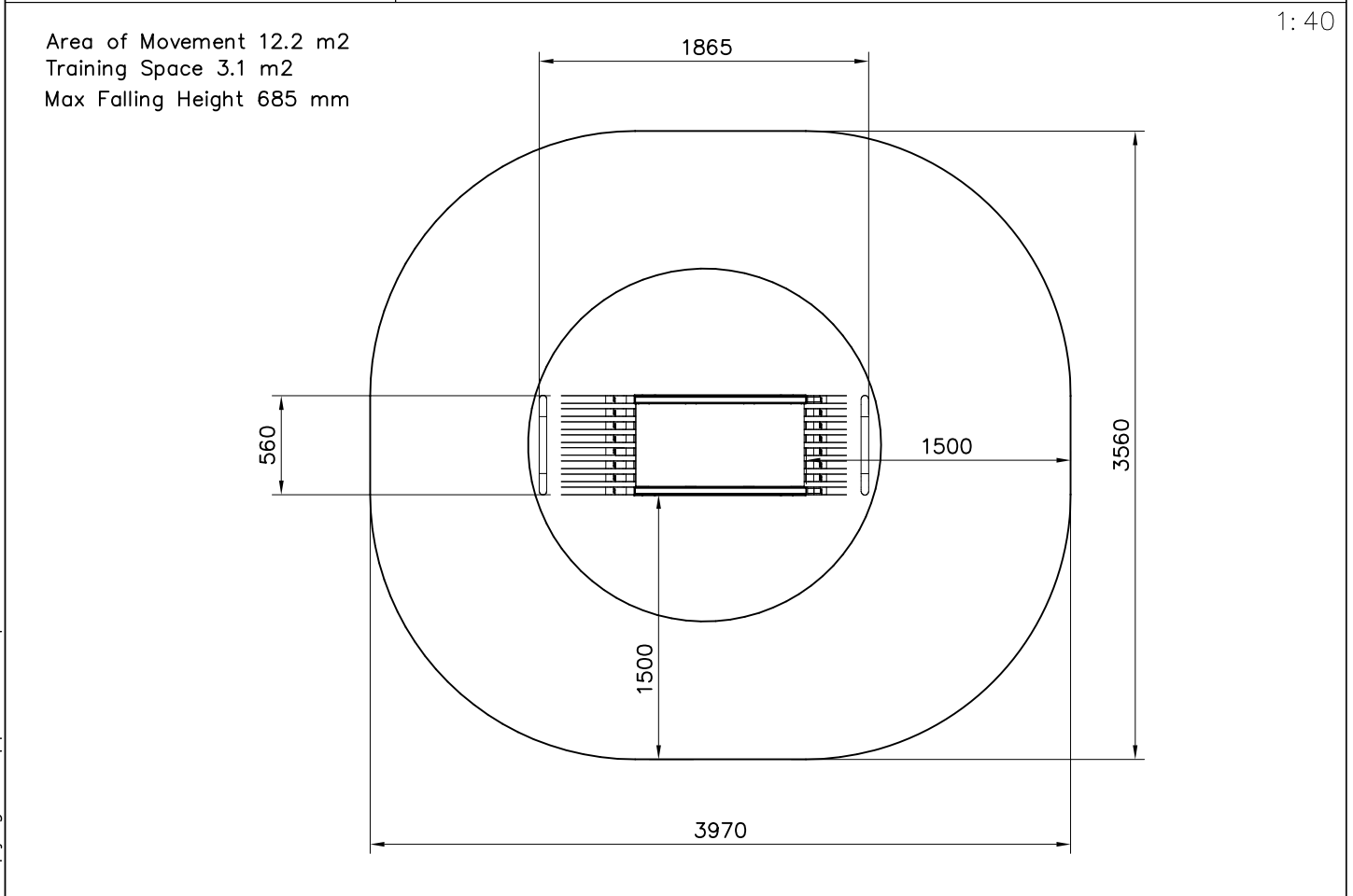
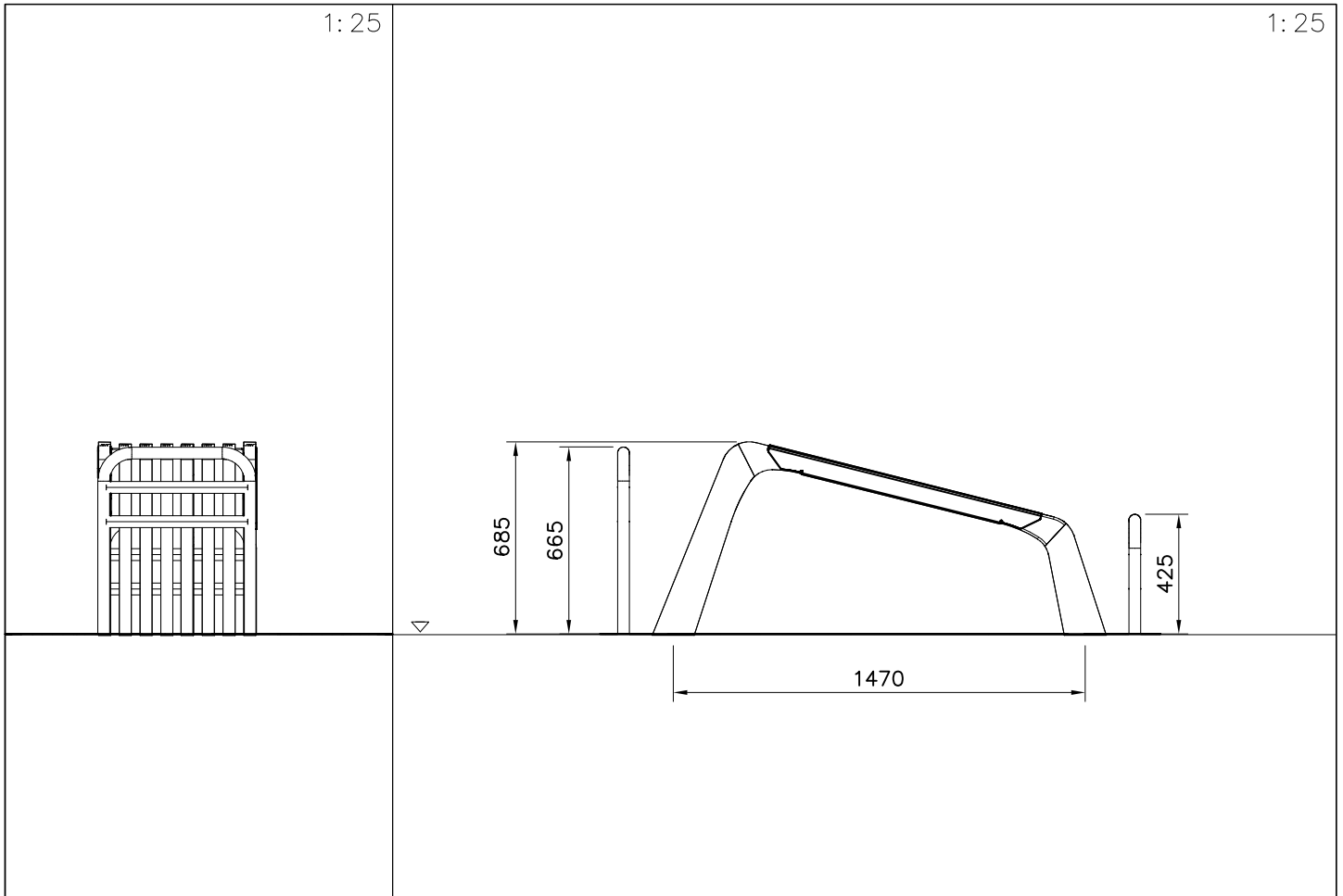
Area of Movement 14.2 m²
Impact Area 13.4 m²
Training Space 1.8 m²
Max Falling Height 1200 mm

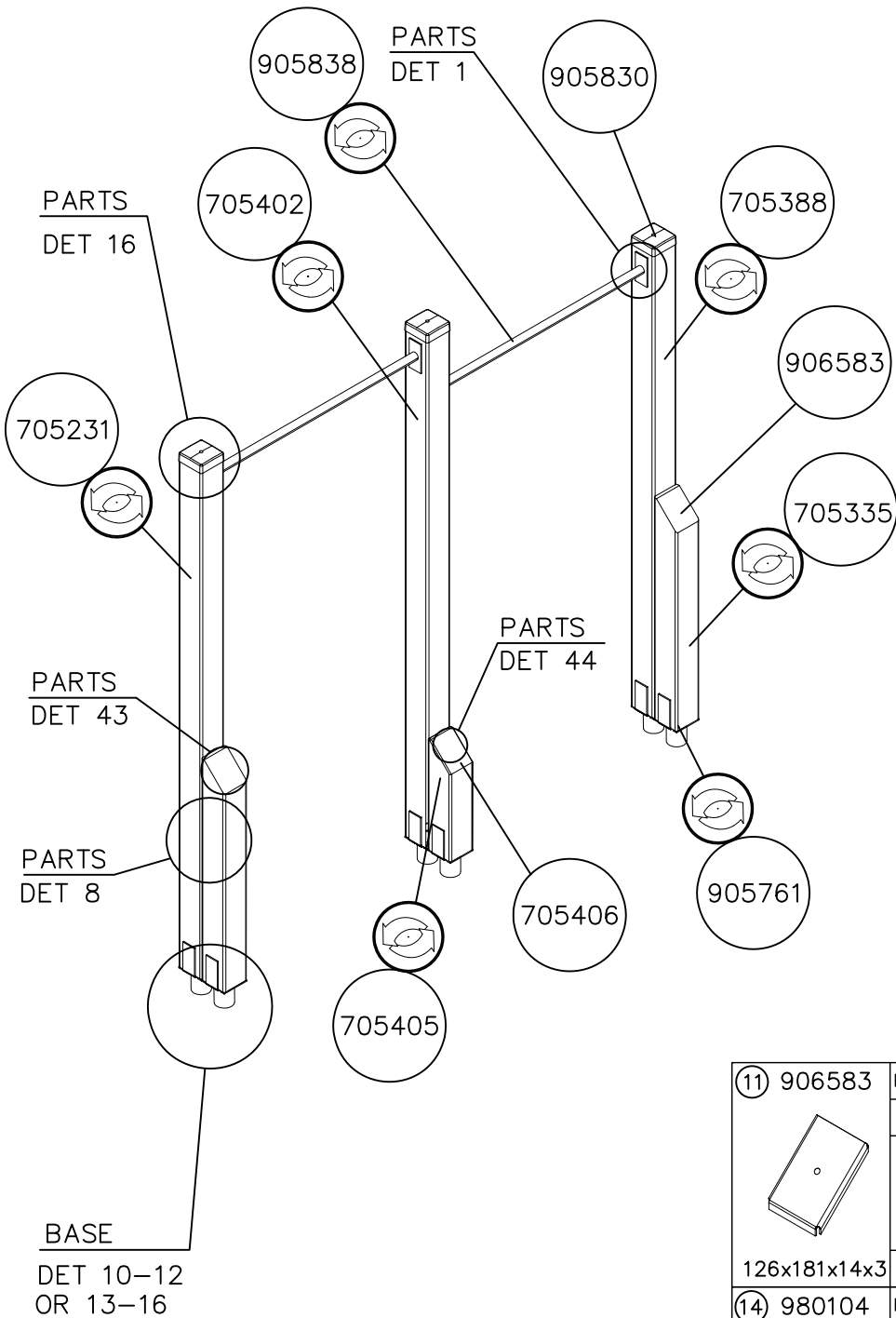
1:50



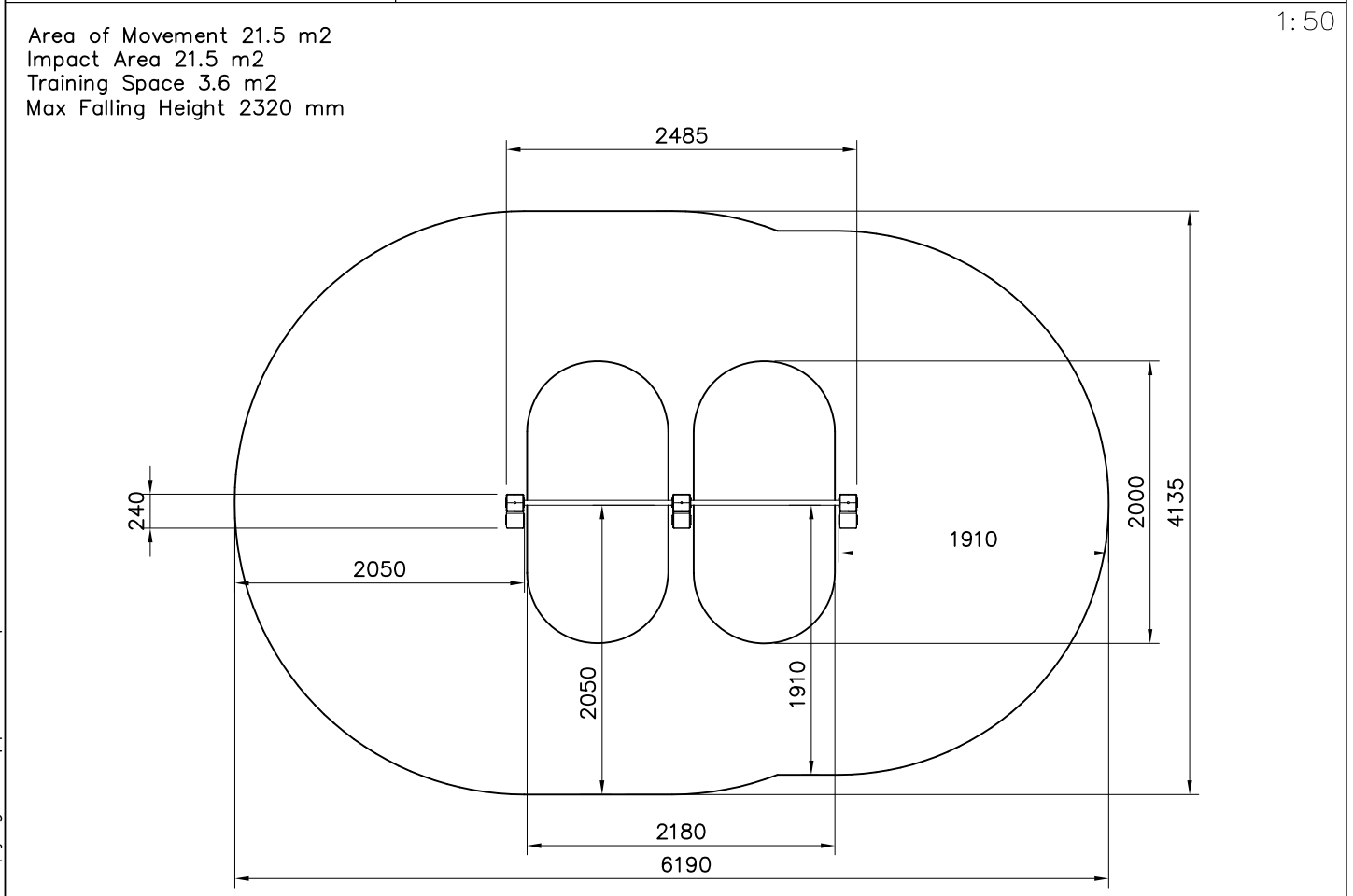
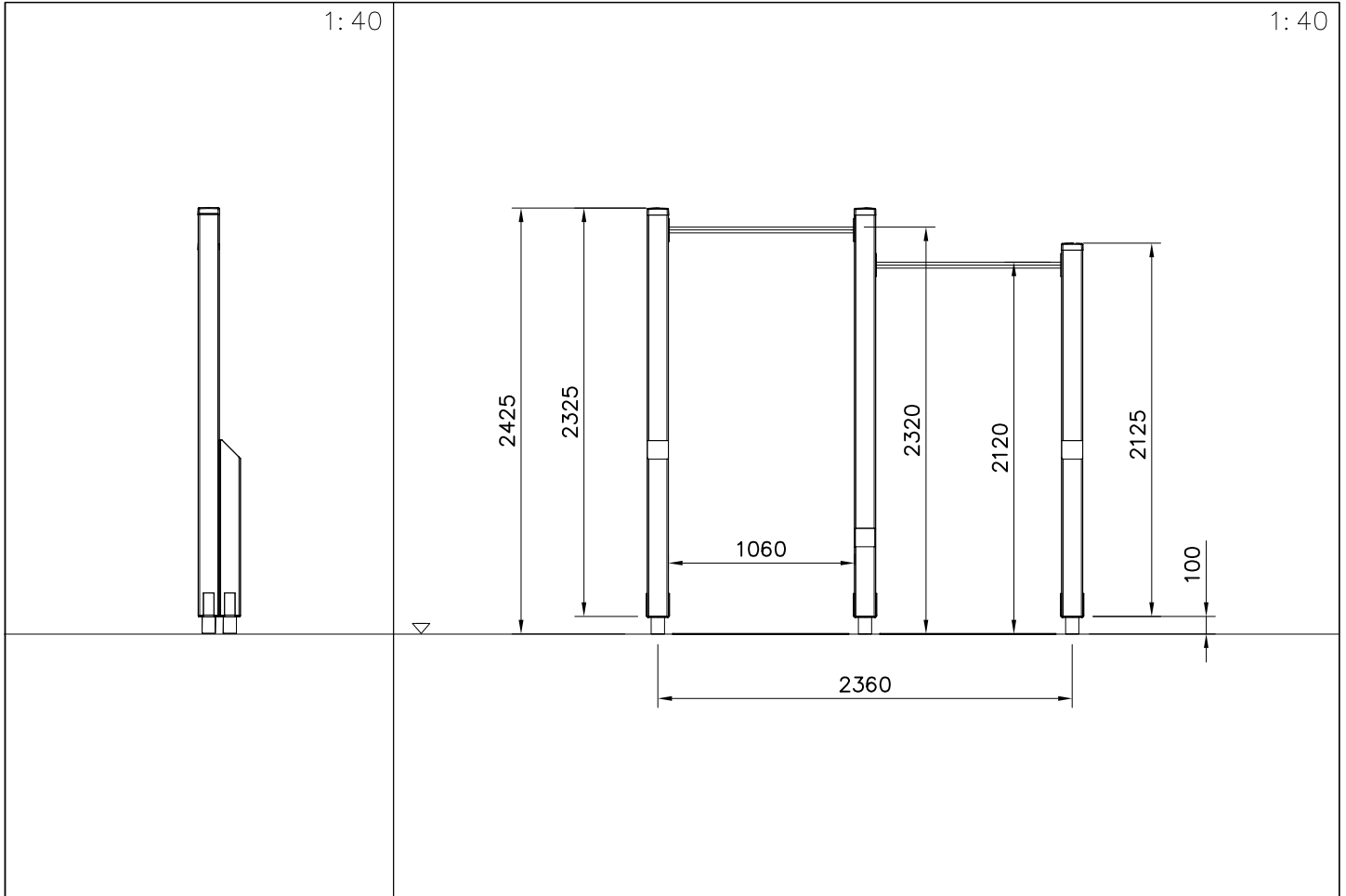


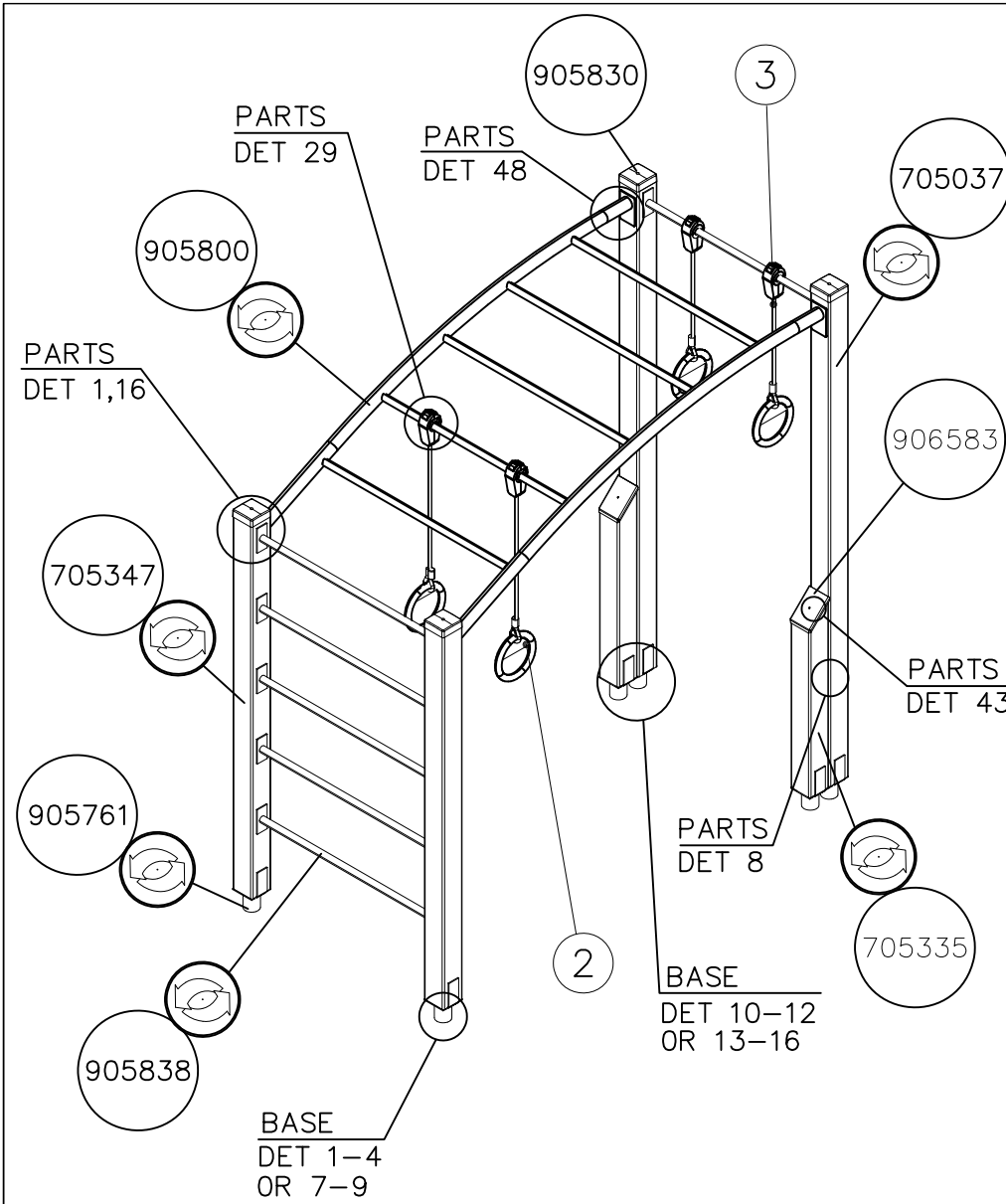
①	705094	PCS	②	705096	PCS
		1			1
	VATSA 700			VATSA 570	
③	705098	PCS	④	906147	PCS
		1			1
	16x471x1000			2x120x536	
⑤	906148	PCS	⑥	980102	PCS
		2			8
	2x1000			Ø5x40	
⑦	980106	PCS	⑧	980128	PCS
		6			16
	Ø5x40			Ø7x40	
⑨	906140	PCS	⑩	906152	PCS
		1			1
	565x480			565x720	
⑪	706023	PCS	⑫	980114	PCS
		1			4
				Ø4x20	
⑬	902272	PCS	⑭	909519	PCS
		4			4
	90x90x450			50x380x380	
				M10	
⑮	909638	PCS	⑯	909639	PCS
		56			28
	Ø20/10,5			M10x25	
				8x60	
			⑱	906630	PCS
					6
				8x60	





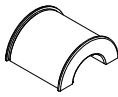

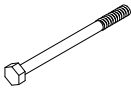




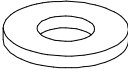

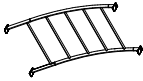



① 706033	PCS	② 705335	PCS
	1		2
		120x120x1000	
③ 705406	PCS	④ 980114	PCS
	1		4
126x181x18		Ø4x20	
⑤ 705405	PCS	⑥ 905103	PCS
	1		7
120x120x500		PT-28/32-H	
⑦ 905104	PCS	⑧ 905761	PCS
	24		6
M10		120x120x700	
⑨ 905830	PCS	⑩ 905838	PCS
	3		2
123x123x40		L=1060	
⑪ 906583	PCS	⑫ 909246	PCS
	2		7
126x181x14x3		M12x140	
		Ø5x60	
⑭ 980104	PCS	⑮ 980123	PCS
	3		40
Ø5x90		Ø7x60	
		Ø24/13	
⑰ 705231	PCS	⑱ 705402	PCS
	1		1
120x120x2290		120x120x2290	
		⑳ 909256	PCS
			40
		Ø16/8.4	

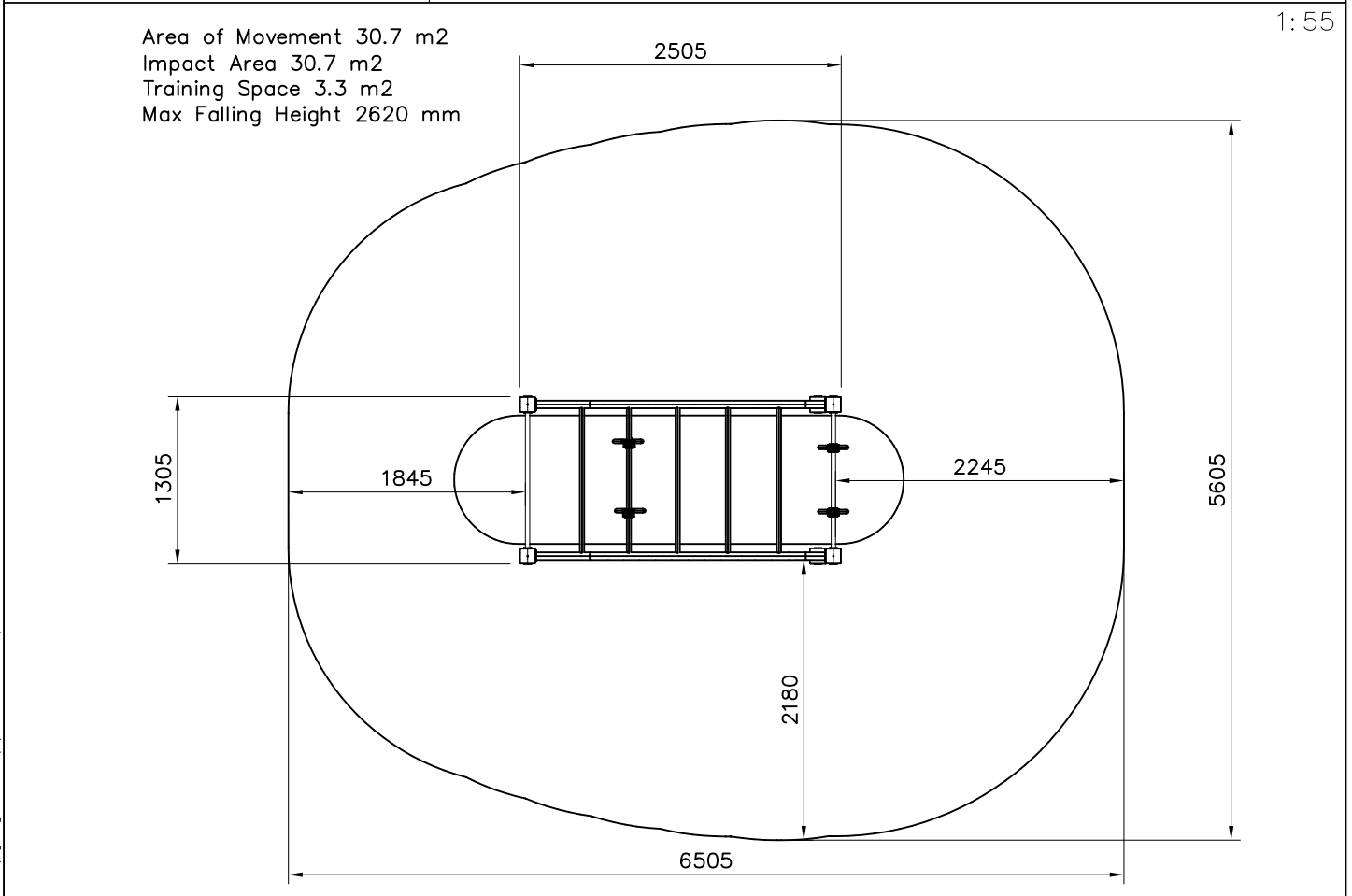
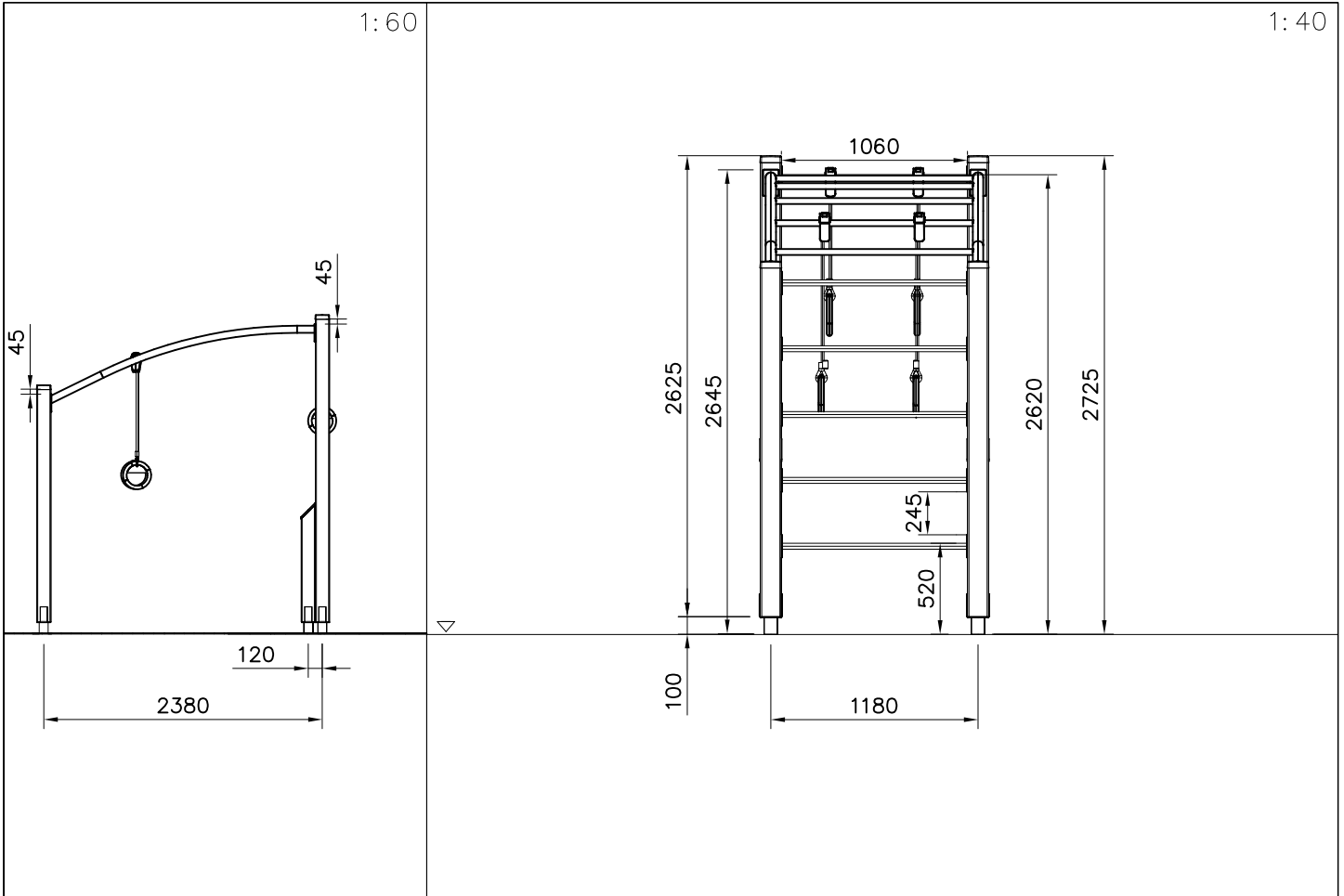


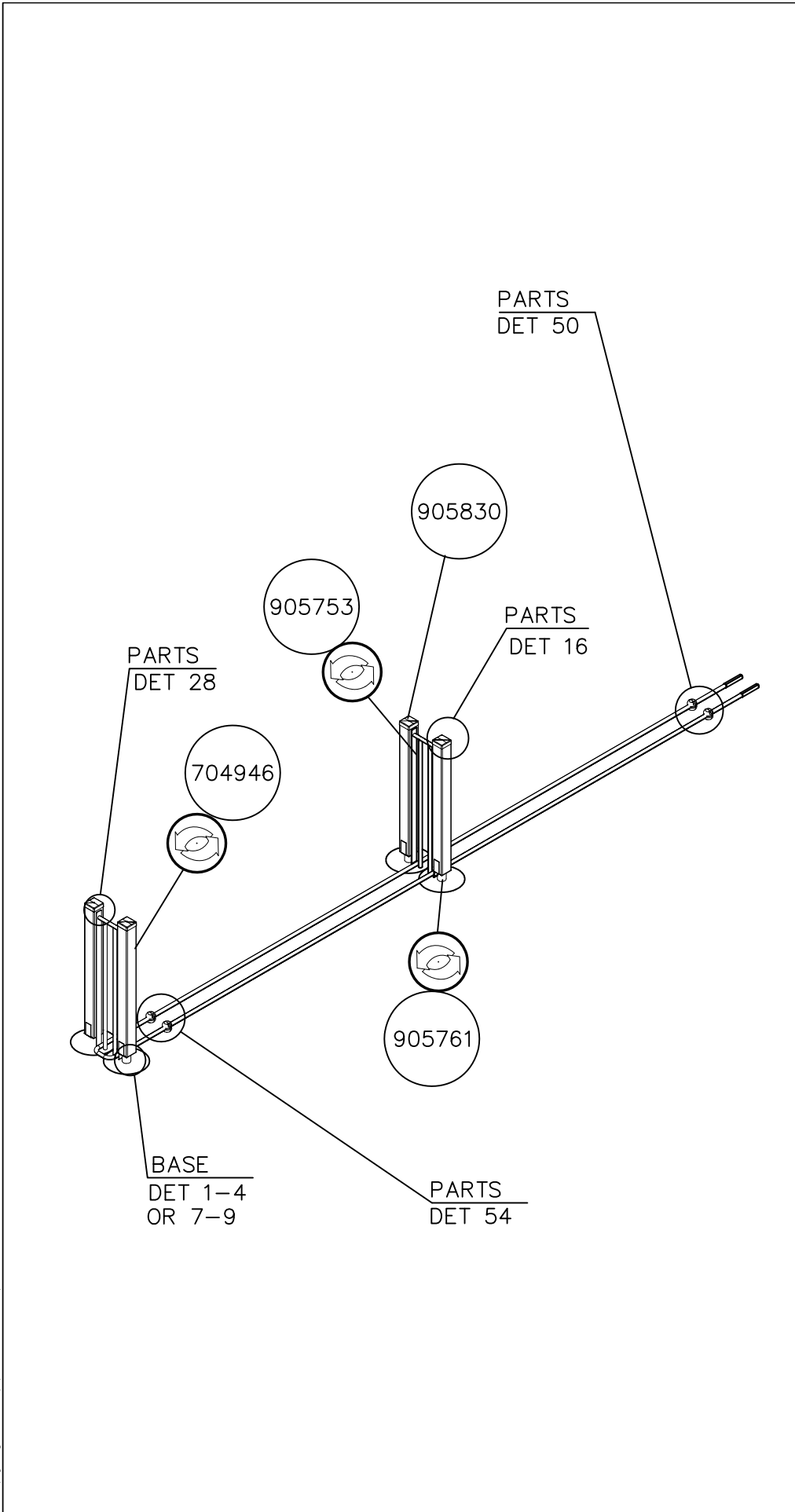


①	706026	PCS	②	705039	PCS
		1			2
				Ø16x974	
③	705040	PCS	④	705037	PCS
		2			2
	Ø16x764			120x120x2590	
⑤	705335	PCS	⑥	705347	PCS
		2			2
	120x120x1000			120x120x1990	
⑦	902195	PCS	⑧	902232	PCS
		8			4
	150x50x50			M10x55	
⑨	902233	PCS	⑩	706087	PCS
		4			1
	M10x30				
⑪	980100	PCS	⑫	905103	PCS
		2			6
	Ø5x60			PT-28/32-H	
⑬	905104	PCS	⑭	905761	PCS
		24			6
	M10			120x120x700	
⑮	905830	PCS	⑯	905838	PCS
		4			6
	123x123x40			L=1060	

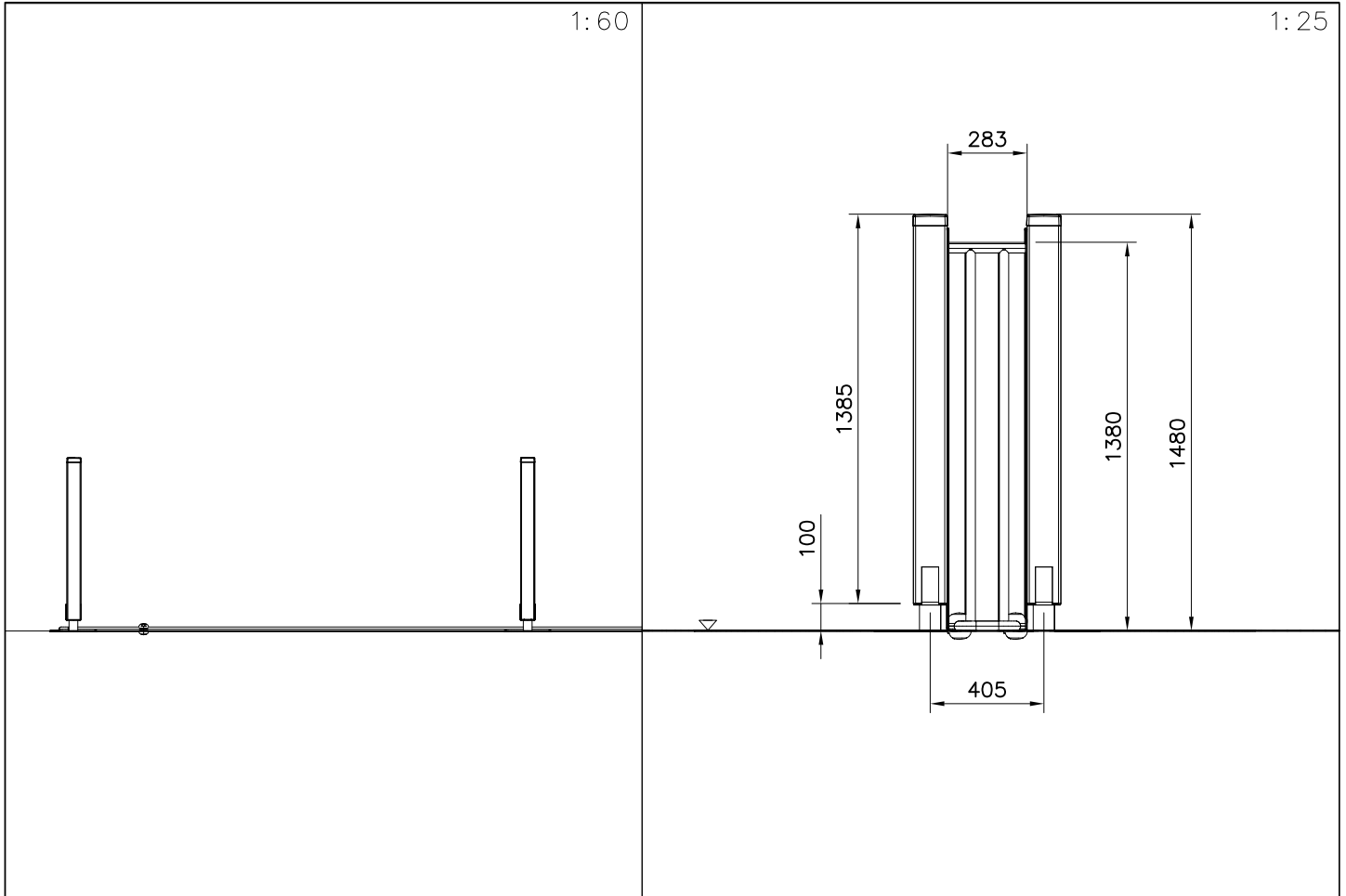


<p>⑰ 906006 PCS 8</p>  <p>Ø64/34,5x59</p>	<p>⑱ 906583 PCS 2</p>  <p>126x181x14x3</p>	<p>⑲ 909246 PCS 6</p>  <p>M12x140</p>	<p>⑳ 980114 PCS 16</p>  <p>Ø4x20</p>	<p>㉑ 900240 PCS 16</p>  <p>Ø8x70</p>	<p>㉒ 980104 PCS 4</p>  <p>Ø5x90</p>
<p>㉓ 980123 PCS 72</p>  <p>Ø7x60</p>	<p>㉔ 980154 PCS 6</p>  <p>Ø24/13</p>	<p>㉕ 980161 PCS 8</p>  <p>M10</p>	<p>㉖ 905800 PCS 1</p>  <p>2260x600x1270</p>	<p>㉗ 909256 PCS 72</p>  <p>Ø16/8.4</p>	<p>㉘ 706263 PCS 1</p> 
					<p>㉙ 702339 PCS 1</p>  <p>118x78</p>



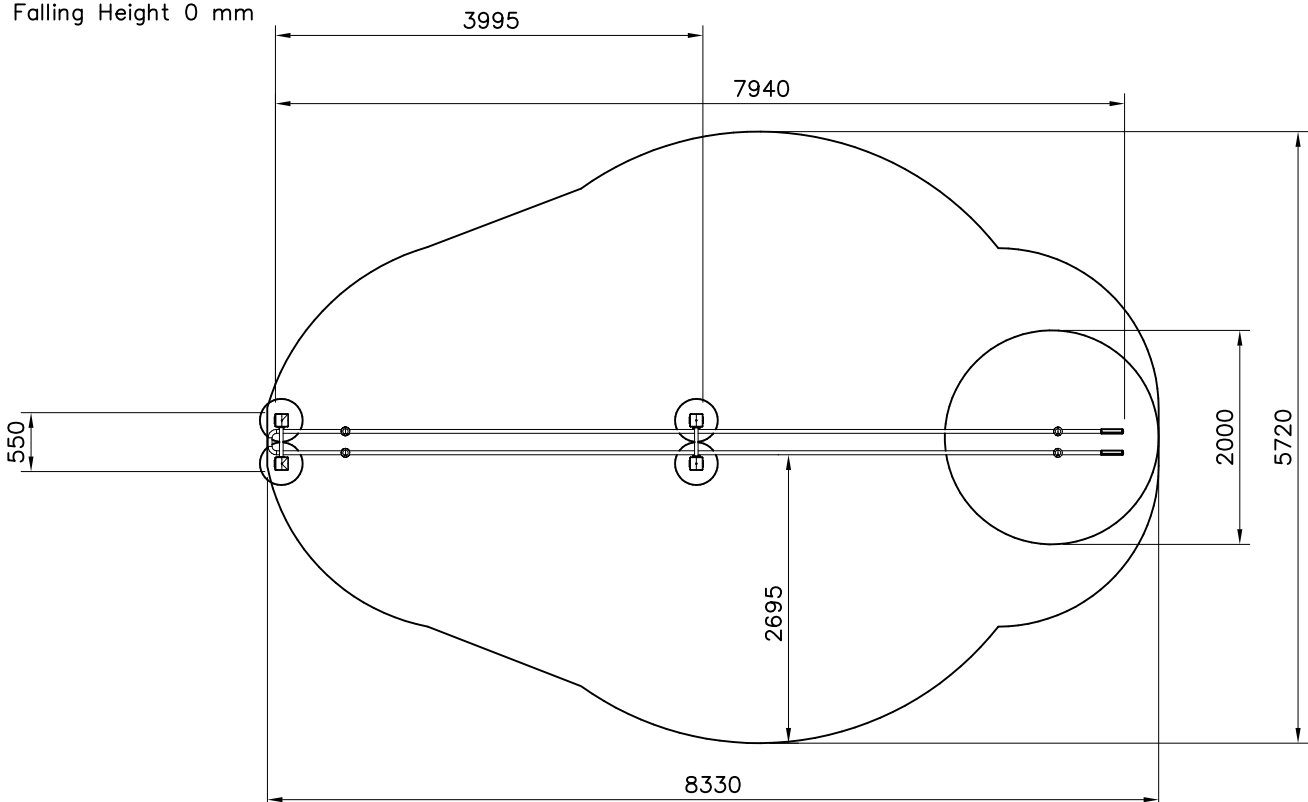


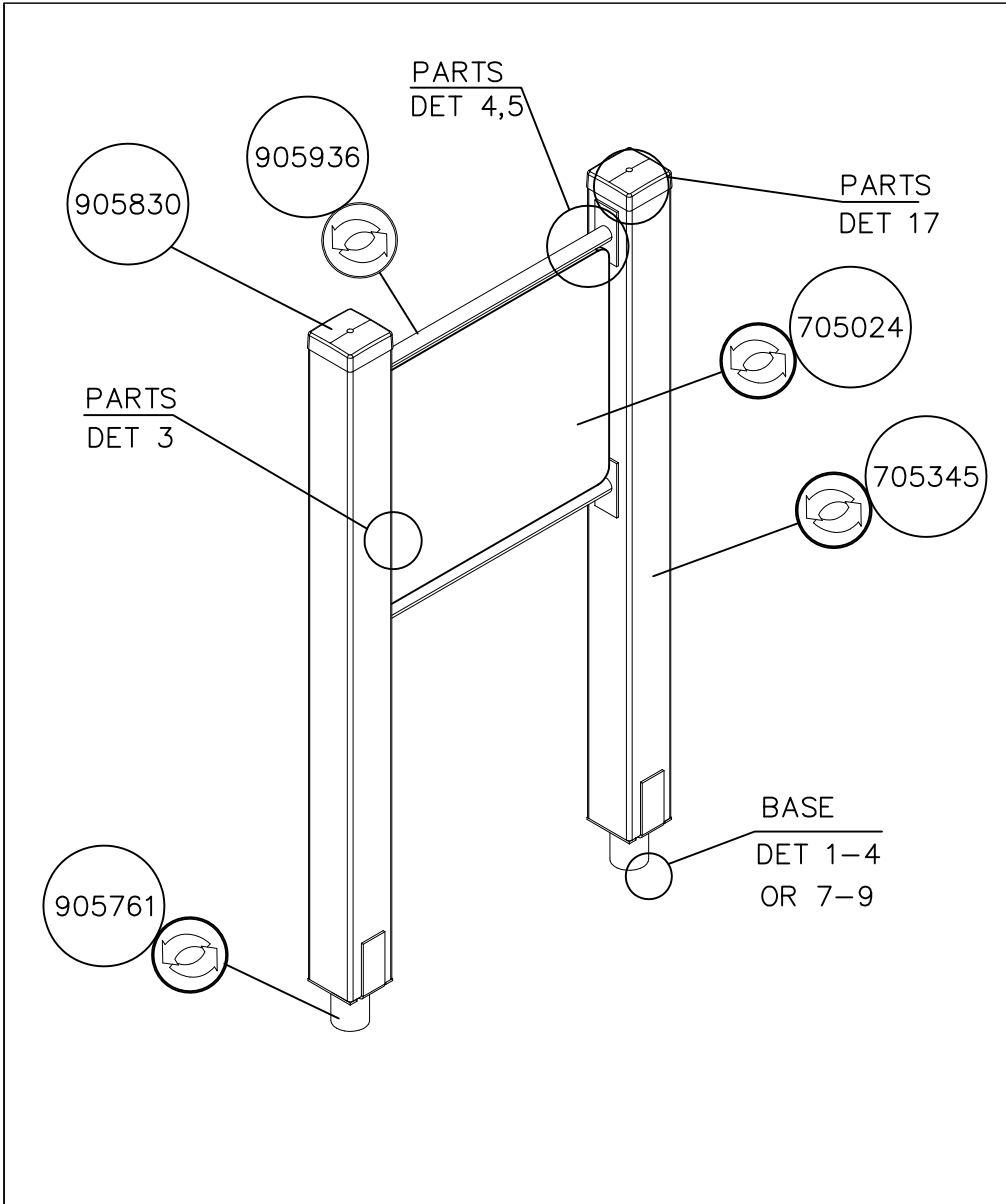
①	706032	PCS	②	705158	PCS
		1			1
			Ø37x16000		
③	704946	PCS	④	980114	PCS
		4			4
	120x120x1350		Ø4x20		
⑤	905761	PCS	⑥	905830	PCS
		4			4
	120x120x700		123x123x40		
⑦	980104	PCS	⑧	980123	PCS
		4			24
	Ø5x90		Ø7x60		
⑨	905753	PCS	⑩	905104	PCS
		2			16
	283x1477		M10		
⑪	980100	PCS	⑫	909256	PCS
		16			24
	Ø5x60		Ø16/8.4		
		PCS			PCS
		PCS			PCS



Area of Movement 34.5 m²
Training Space 3.1 m²
Max Falling Height 0 mm

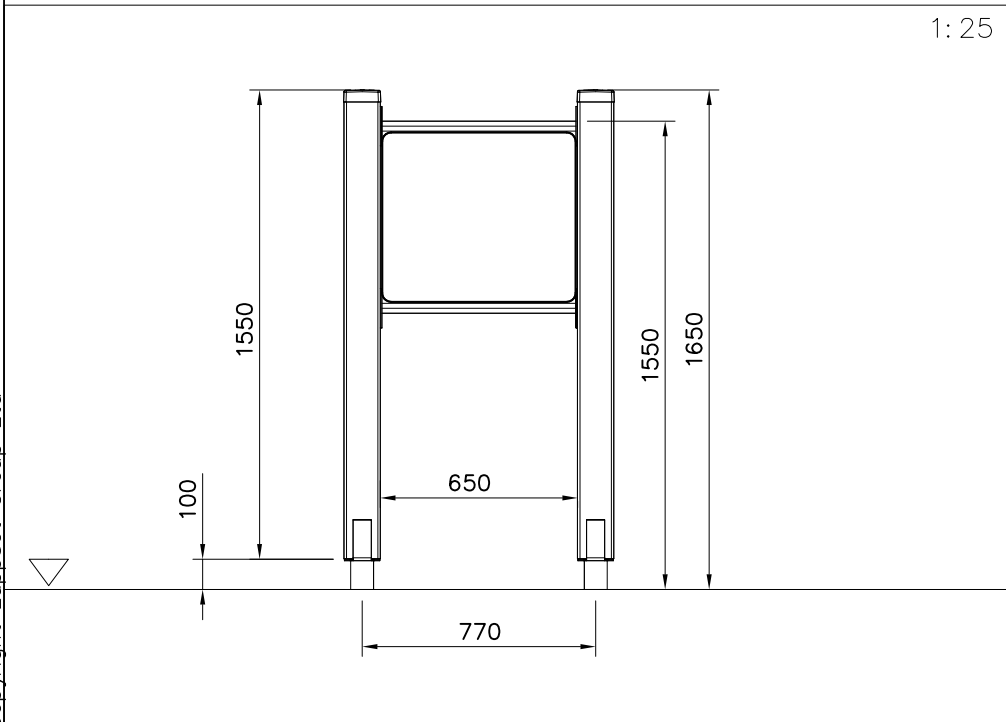
1:71

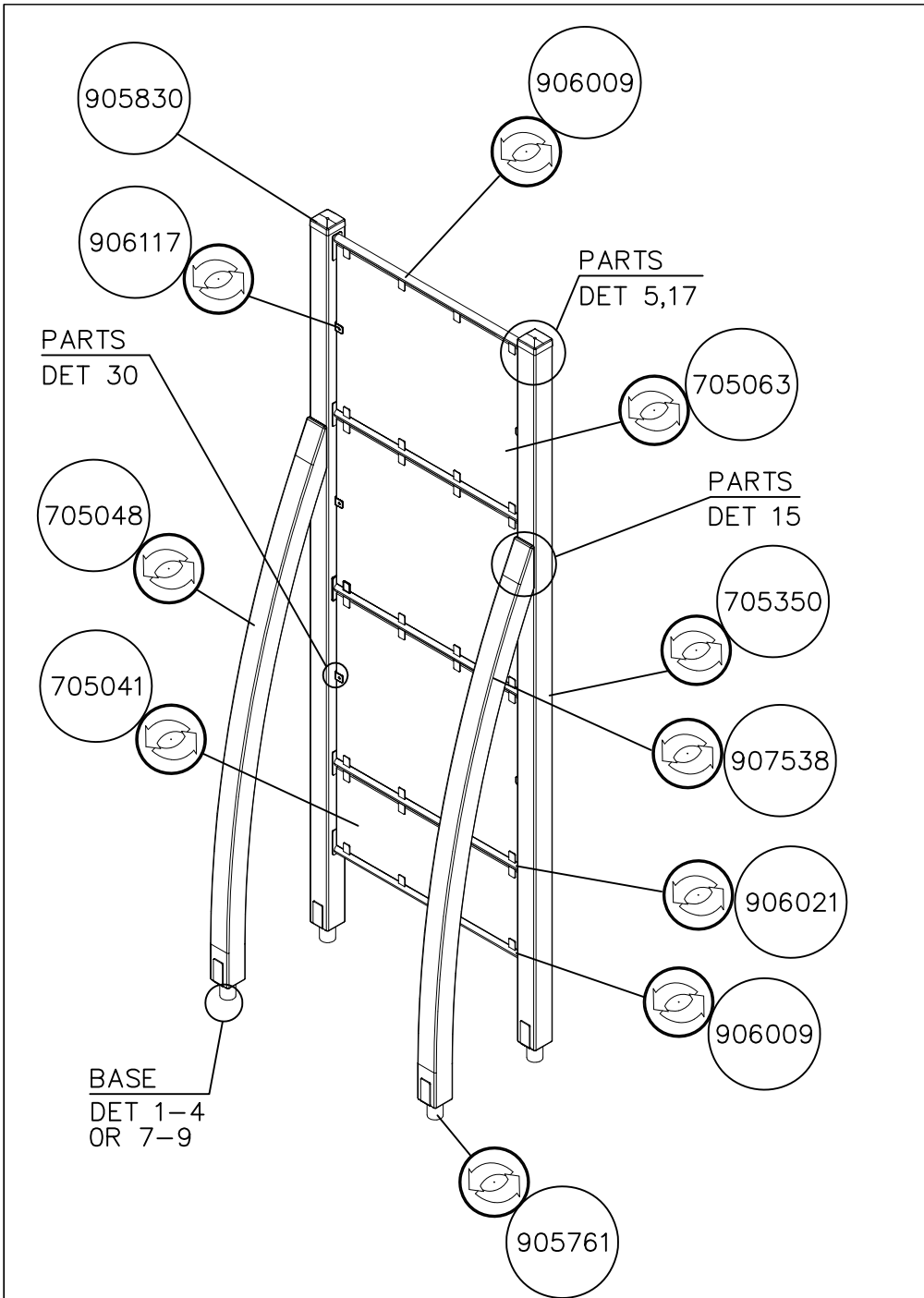




① 705024	PCS	② 705345	PCS
	1		2
15x640x560		120x120x1520	
③ 909633	PCS	④ 905104	PCS
	8		8
M8		M10	
⑤ 905761	PCS	⑥ 905830	PCS
	2		2
120x120x700		123x123x40	
⑦ 905936	PCS	⑧ 909256	PCS
	2		28
L=652		Ø16/8.4x1.6	
⑨ 909855	PCS	⑩ 980104	PCS
	8		2
M8x35		Ø5x90	
⑪ 980123	PCS		PCS
	20		
Ø7x60			
⑫ 901899 Optio	PCS		PCS
	8		
M8x45			
	PCS		PCS

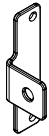
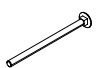




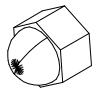



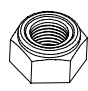
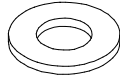
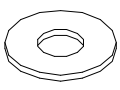

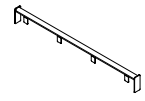
1: 25





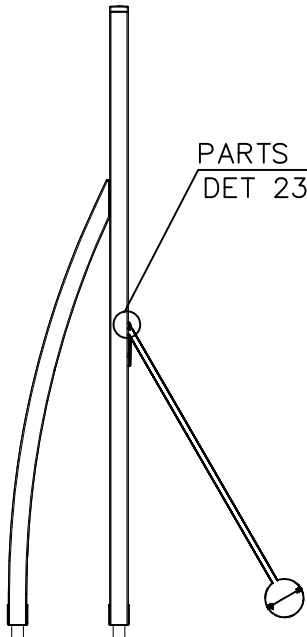
①	706029	PCS	②	705041	PCS
		1			1
				19x451x1240	
③	705048	PCS	④	705063	PCS
		2			3
	120x120			19x951x1240	
⑤	705350	PCS	⑥	902234	PCS
		2			2
	120x120x3990			M12	
⑦	980114	PCS	⑧	905051	PCS
		8			4
	Ø4x20			Ø24/8.4	
⑨	905083	PCS	⑩	905104	PCS
		2			16
	Ø32			M10	
⑪	704881	PCS	⑫	905112	PCS
		1			2
	118x78			Ø22	
⑬	905761	PCS	⑭	905830	PCS
		4			2
	120x120x700			123x123x40	
⑮	906021	PCS	⑯	907538	PCS
		2			1
	Ø42,4x1252			Ø42,4x1252	



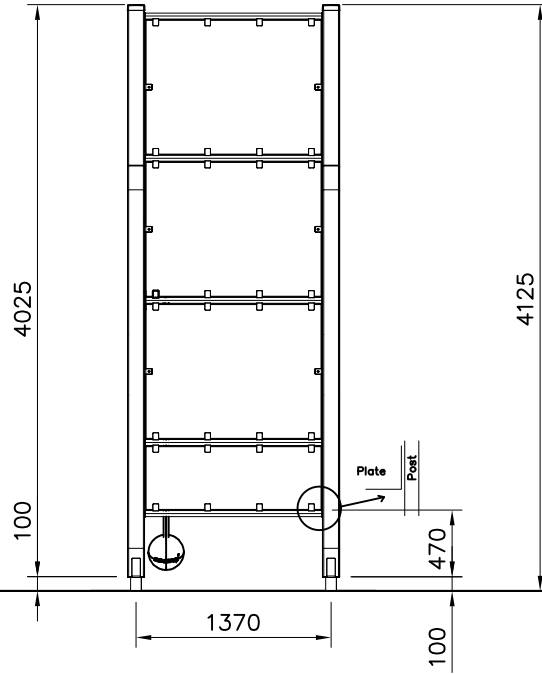
<p>⑰ 906117 PCS</p>  <p>130x44x52</p>	<p>⑱ 909102 PCS</p>  <p>M12x200</p>	<p>⑲ 909203 PCS</p>  <p>M8x75</p>	<p>⑳ 909233 PCS</p>  <p>8x100</p>	<p>㉑ 909253 PCS</p>  <p>Ø32/13.5/2</p>	<p>㉒ 909256 PCS</p>  <p>Ø16/8.4</p>
<p>⑳ 909633 PCS</p>  <p>M8</p>	<p>㉔ 909852 PCS</p>  <p>M8x30</p>	<p>㉕ 980104 PCS</p>  <p>Ø5x90</p>	<p>㉖ 980123 PCS</p>  <p>Ø7x60</p>	<p>㉗ 980150 PCS</p>  <p>M8</p>	<p>㉘ 980151 PCS</p>  <p>Ø16/8.4</p>
<p>㉙ 980152 PCS</p>  <p>Ø24/8.4x2</p>	<p>㉚ 906751 PCS</p> 	<p>㉛ 906009 PCS</p>  <p>Ø42,4x1252</p>			



1: 49

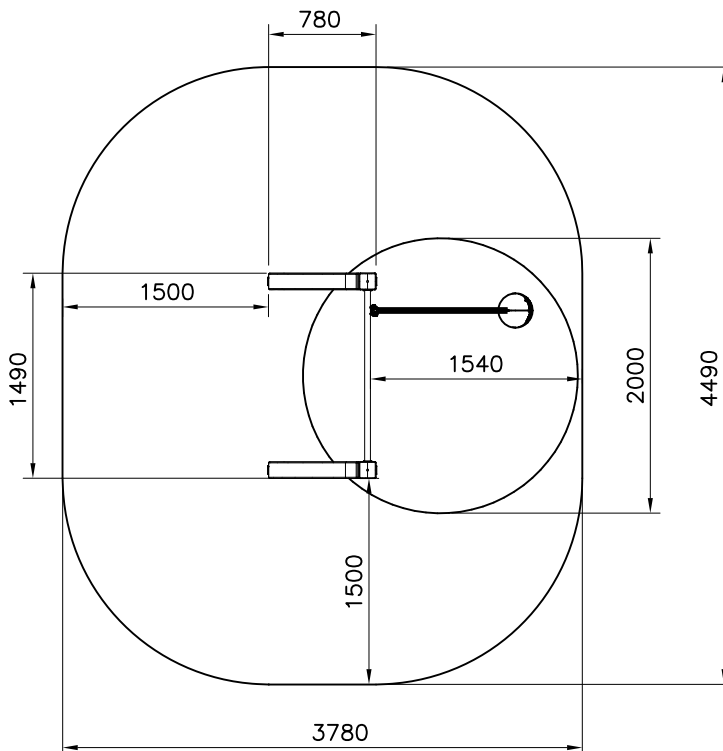


1: 53



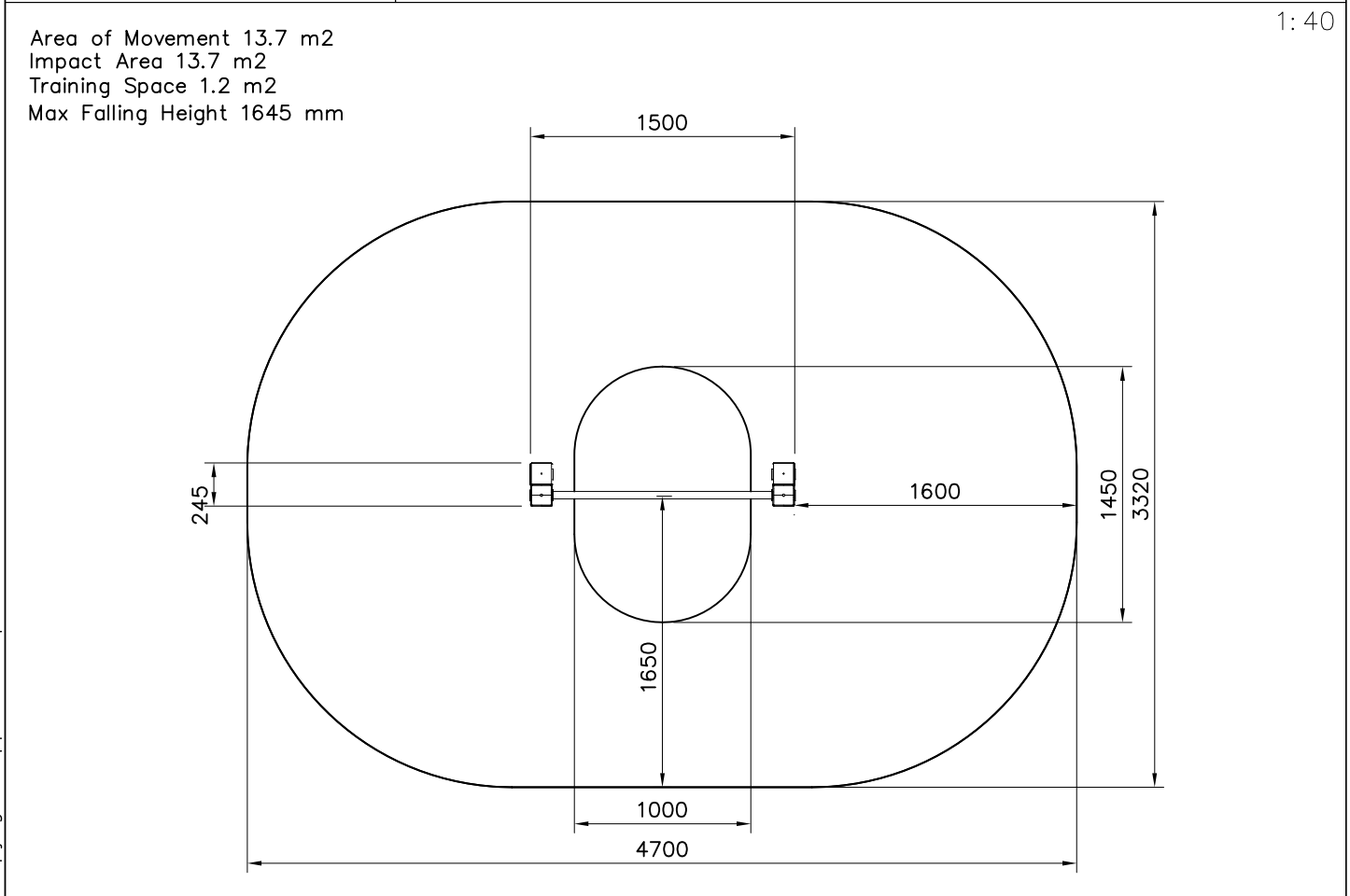
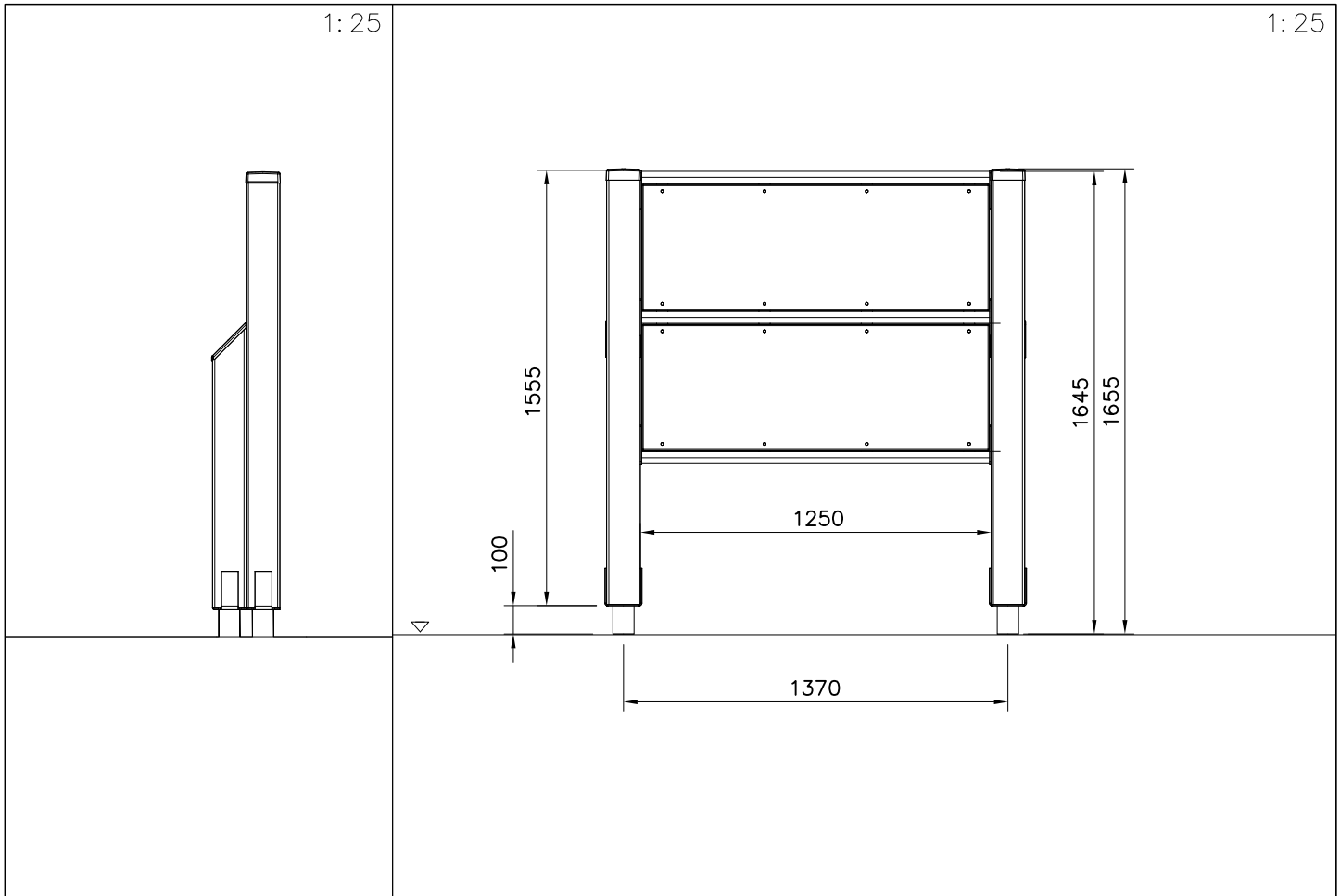
Area of Movement 15 m2
Training Space 3.1 m2
Max Falling Height 0 mm

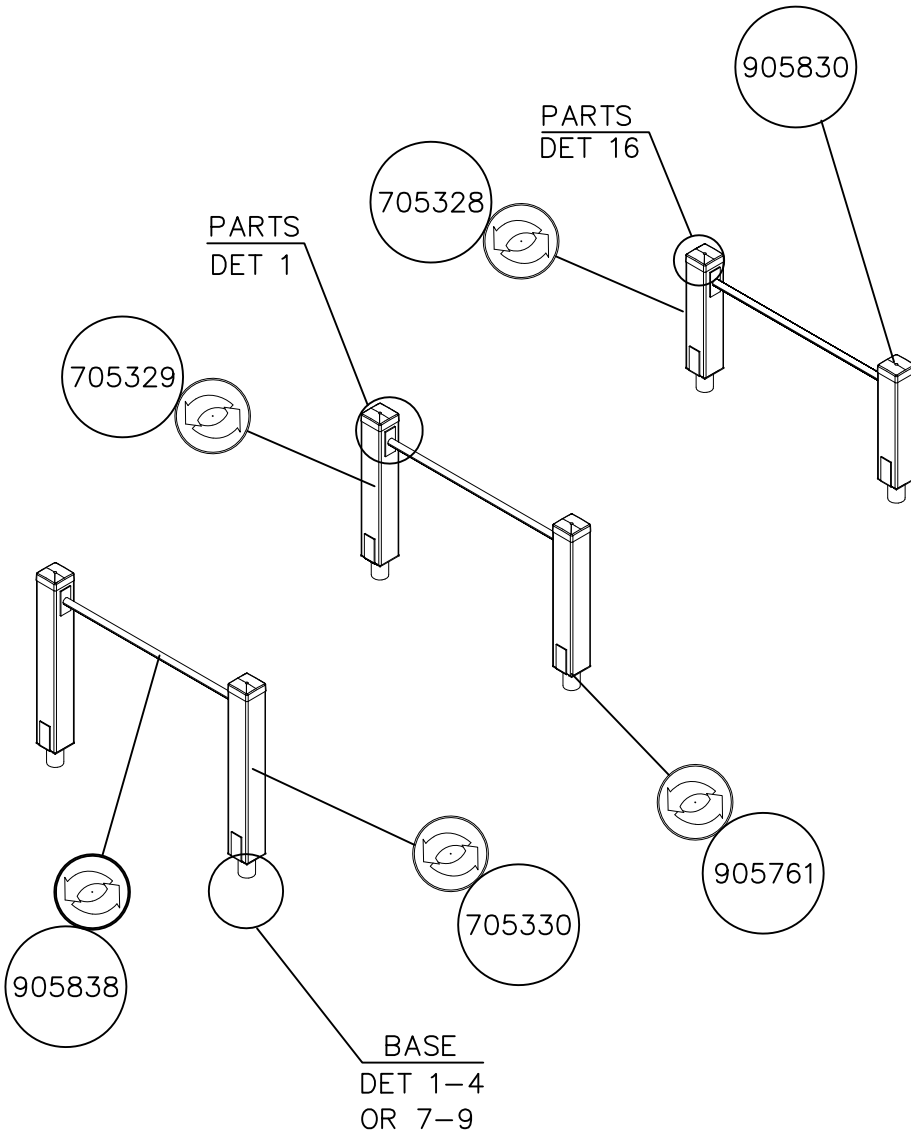
1: 55



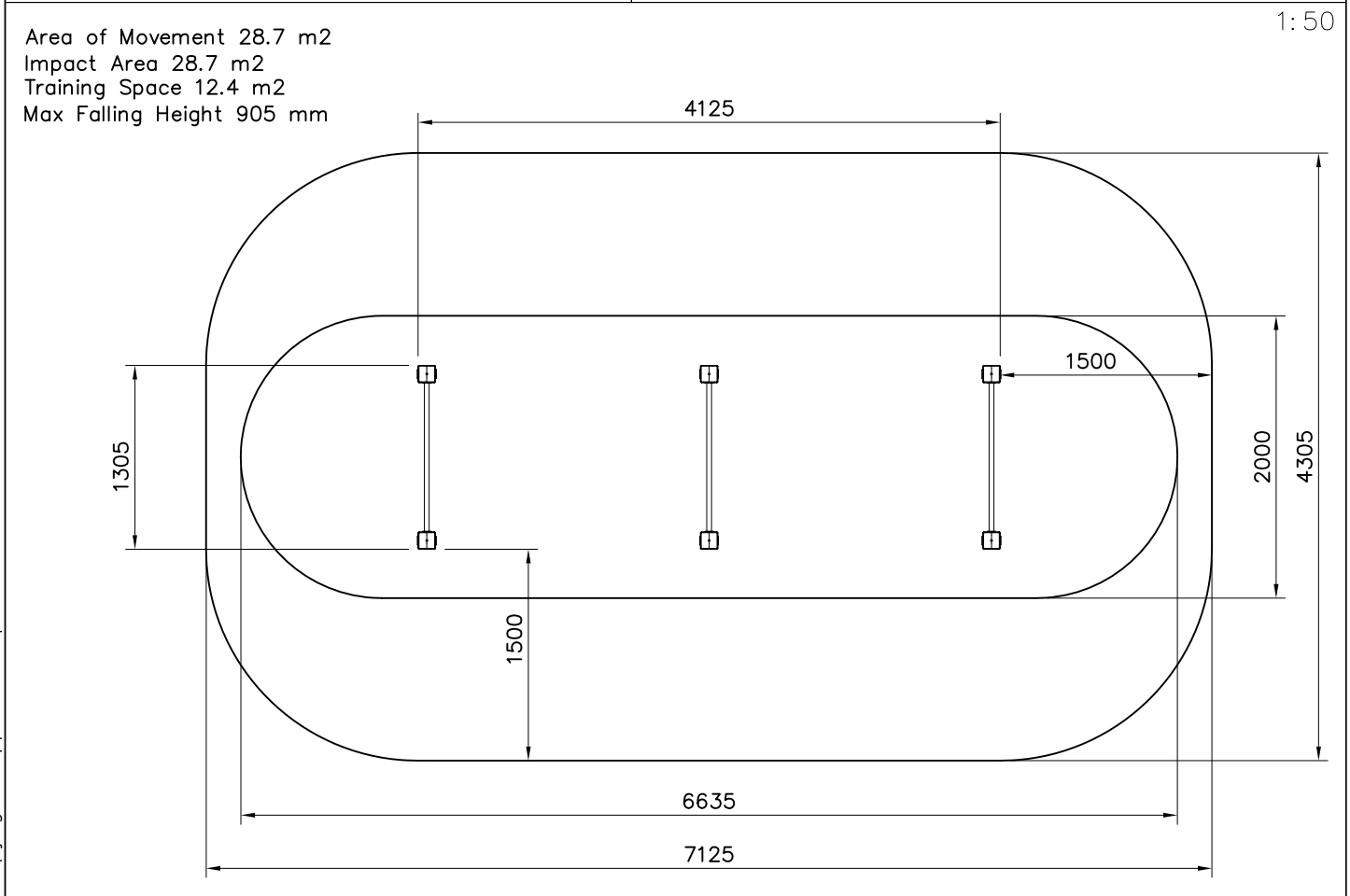
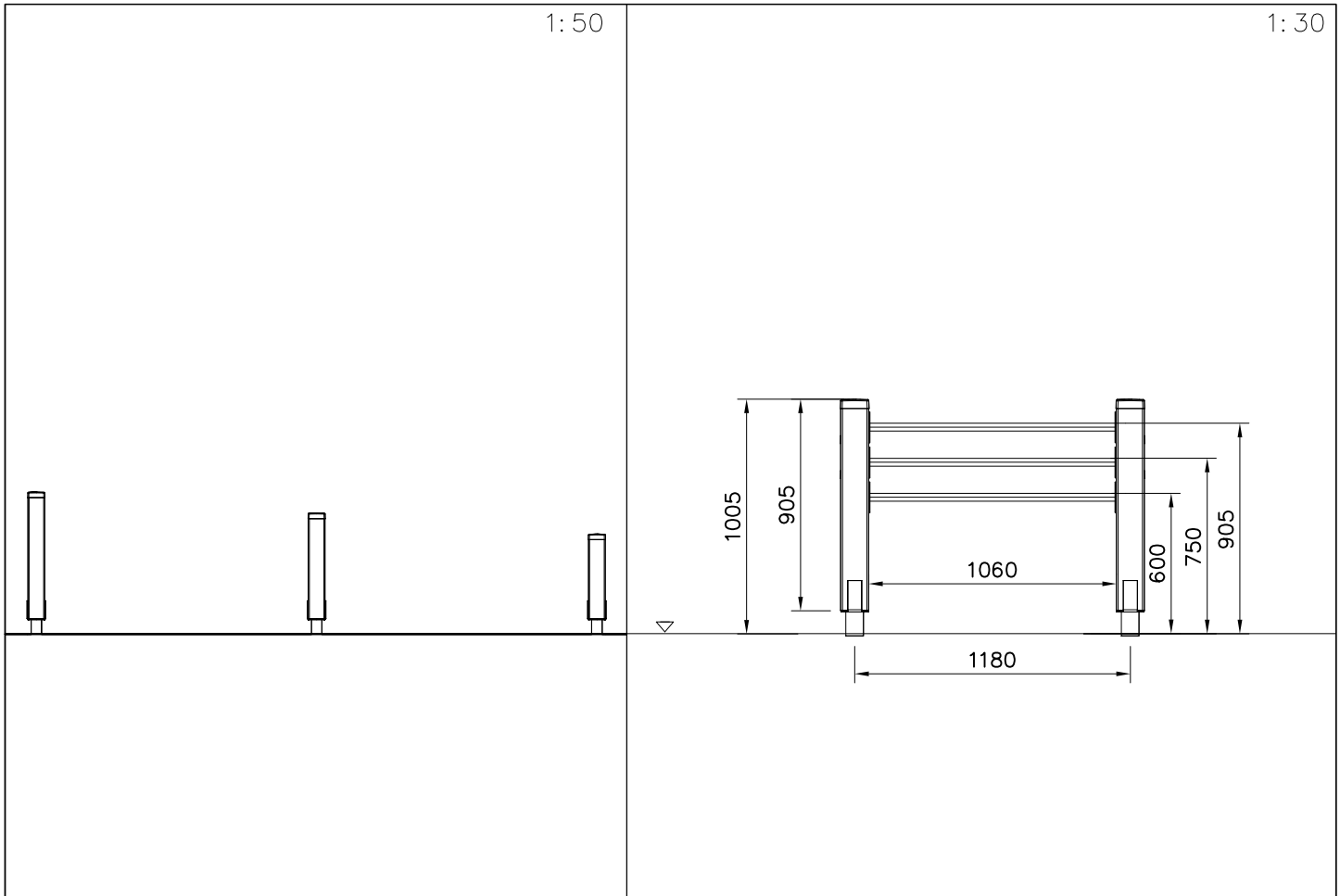


	①	706028	PCS	1	②	705041	PCS	2
						19x451x1240		
	③	705027	PCS	2	④	705335	PCS	2
		120x120x1520				120x120x1000		
	⑤	980114	PCS	4	⑥	905103	PCS	6
		Ø4x20				PT-28/32-H		
	⑦	905104	PCS	16	⑧	905830	PCS	2
	M10				123x123x40			
⑨	906009	PCS	2	⑩	906021	PCS	1	
	Ø42,4x1252				Ø42,4x1252			
⑪	905761	PCS	4	⑫	906583	PCS	2	
	120x120x700				126x181x14x3			
⑬	909246	PCS	6					
	M12x140							
⑭	909633	PCS	16	⑮	909852	PCS	16	
	M8				M8x30			
⑯	980100	PCS	2	⑰	980104	PCS	2	
	Ø5x60				Ø5x90			
⑱	980123	PCS	40	⑳	980154	PCS	6	
	Ø7x60				Ø24/13			
㉑	980152	PCS	16	㉒	909256	PCS	40	
	Ø24/8.4x2				Ø16/8.4			





①	706031	PCS	②	705328	PCS
		1			2
				120x120x570	
③	705329	PCS	④	705330	PCS
		2			2
	120x120x720			120x120x870	
⑤	980114	PCS	⑥	905838	PCS
		4			3
	Ø4x20			L=1060	
⑦	905104	PCS	⑧	905761	PCS
		24			6
	M10			120x120x700	
⑨	905830	PCS	⑩	980104	PCS
		6			6
	123x123x40			Ø5x90	
⑪	980123	PCS	⑫	909256	PCS
		48			48
	Ø7x60			Ø16/8.4	
		PCS			PCS
		PCS			PCS



												
<p>$h < 600$</p> <p>Without movement and therefore without Impact Area</p>	<p>Totally hard surfaces.</p> <p>Note. Lappset does <u>not recommend</u> totally hard surfaces at all.</p>	<p>E.g. concrete or asphalt</p> 										
<p>$h < 600$</p> <p>With movement e.g. rocking</p>	<p>Materials with very limited impact attenuating properties.</p>	<p>E.g. wood</p> 										
<p>$h < 1000$</p>	<p>Materials with significant impact attenuating properties.</p>	<p>fine gravel 0–8 mm</p>  <p>grass</p>  <p>unsorted sand</p> 										
<p>$h < 3000$</p>	<p>Loose fill material</p> <p>E.g. sand/gravel 0,25...8 mm D60/D10<3,0 Woodchips 5...30 mm bark 20...80 mm</p>	 <table data-bbox="1021 1691 1332 1792"> <tr> <td>\underline{S}</td> <td>\underline{h}</td> </tr> <tr> <td>30 cm</td> <td>< 2,0 m</td> </tr> <tr> <td>40 cm</td> <td>< 3,0 m</td> </tr> </table>	\underline{S}	\underline{h}	30 cm	< 2,0 m	40 cm	< 3,0 m				
\underline{S}	\underline{h}											
30 cm	< 2,0 m											
40 cm	< 3,0 m											
	<p>Syntethic granulates</p> <table data-bbox="406 1892 758 2060"> <tr> <td>\underline{S}</td> <td>\underline{h}</td> </tr> <tr> <td>40 mm</td> <td>~> 1,2...1,3 m</td> </tr> <tr> <td>50 mm</td> <td>~> 1,5...1,7 m</td> </tr> <tr> <td>60 mm</td> <td>~> 1,8...2,0 m</td> </tr> <tr> <td>70 mm</td> <td>~> 2,1...2,5 m</td> </tr> </table> <p>Note. For accurate values, see manufacturer's instructions.</p>	\underline{S}	\underline{h}	40 mm	~> 1,2...1,3 m	50 mm	~> 1,5...1,7 m	60 mm	~> 1,8...2,0 m	70 mm	~> 2,1...2,5 m	
\underline{S}	\underline{h}											
40 mm	~> 1,2...1,3 m											
50 mm	~> 1,5...1,7 m											
60 mm	~> 1,8...2,0 m											
70 mm	~> 2,1...2,5 m											

REMOVE SAFETY SURFACE/SAND/GRAVEL
TO CHECK FOUNDATION

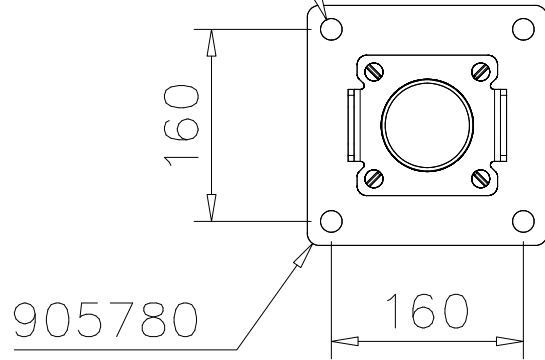


REMOVE SAFETY SURFACE/SAND/GRAVEL
TO CHECK FOUNDATION

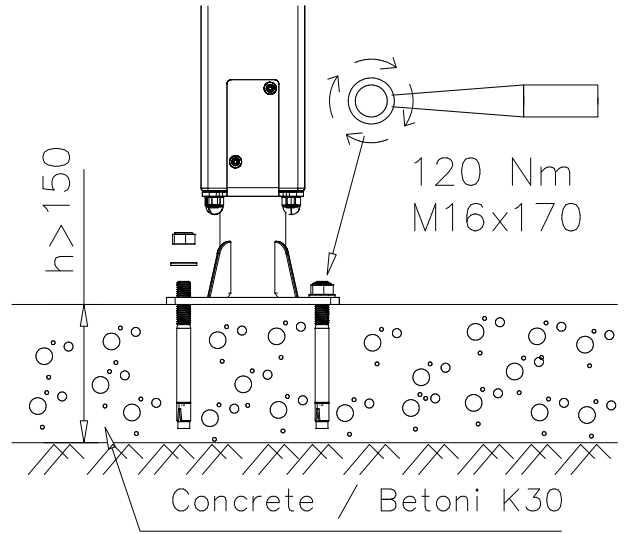


DET 1

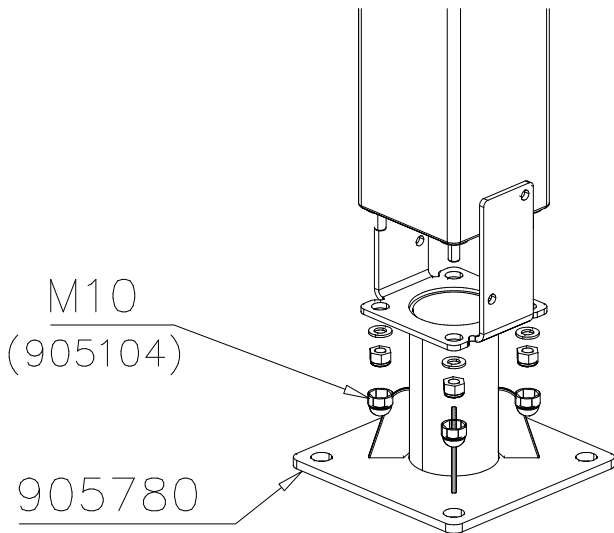
$\varnothing 16 \downarrow > 130$



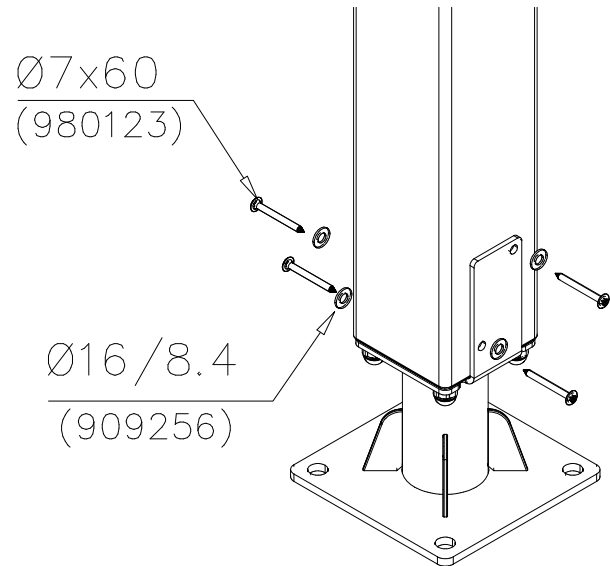
DET 2



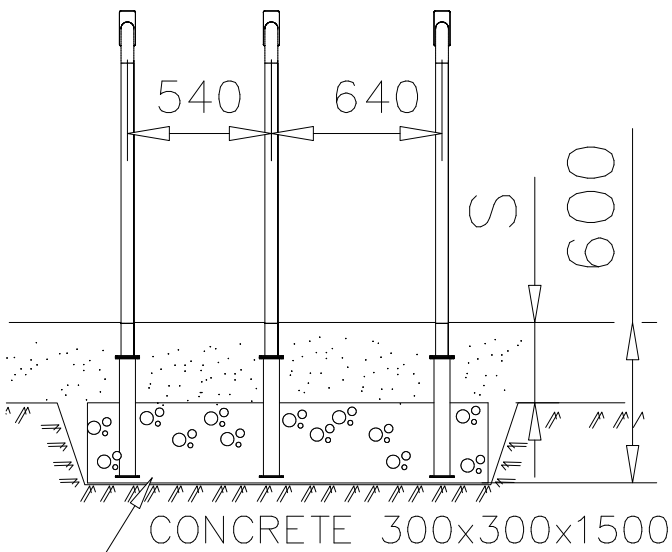
DET 3



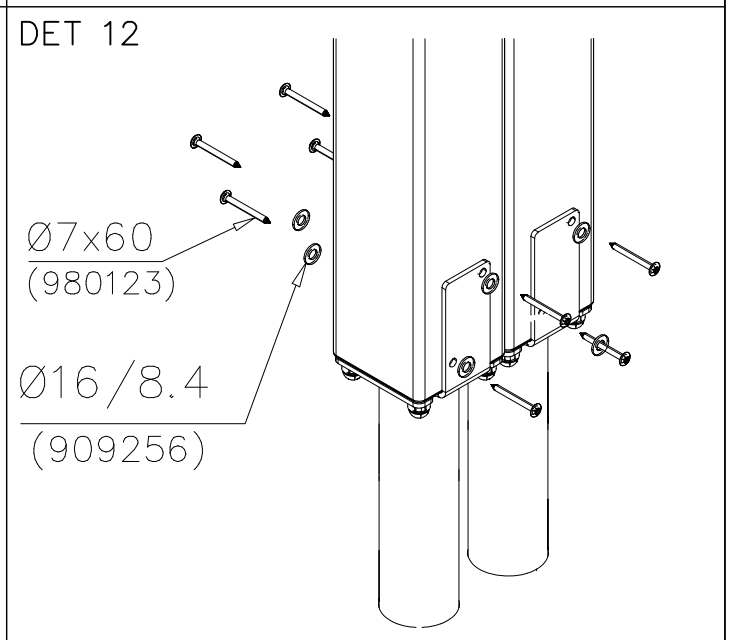
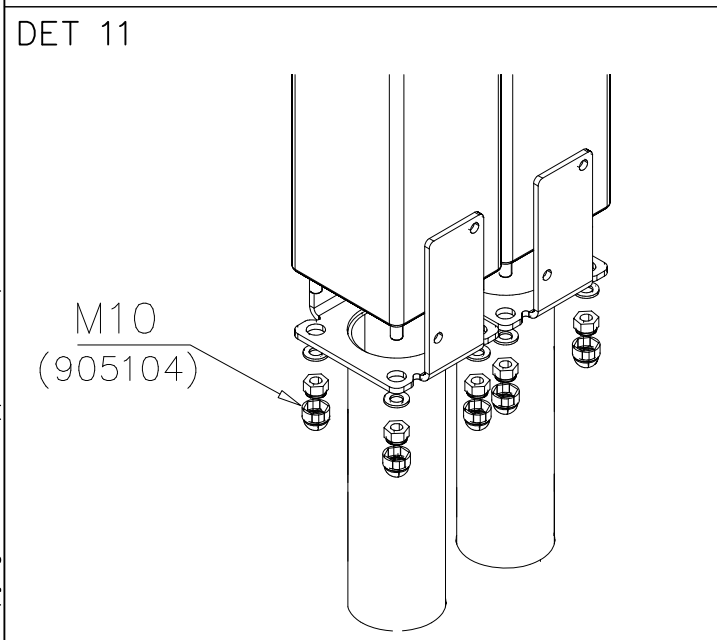
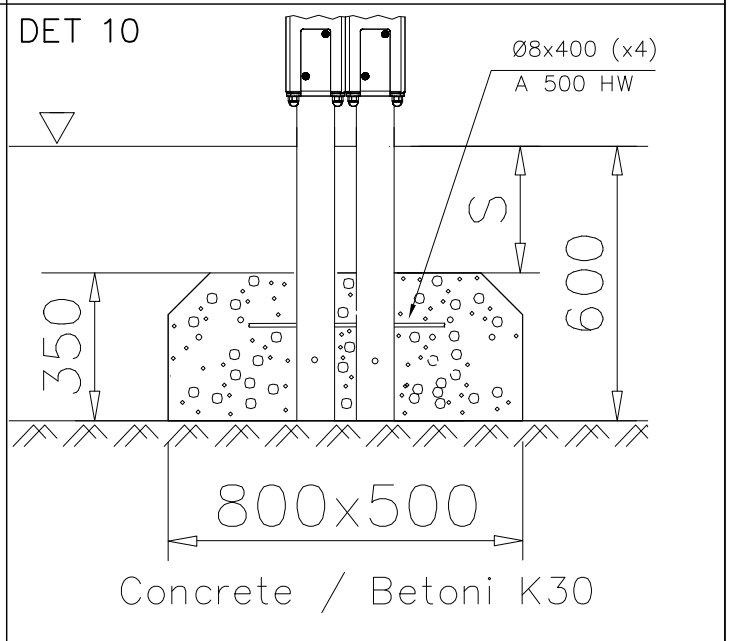
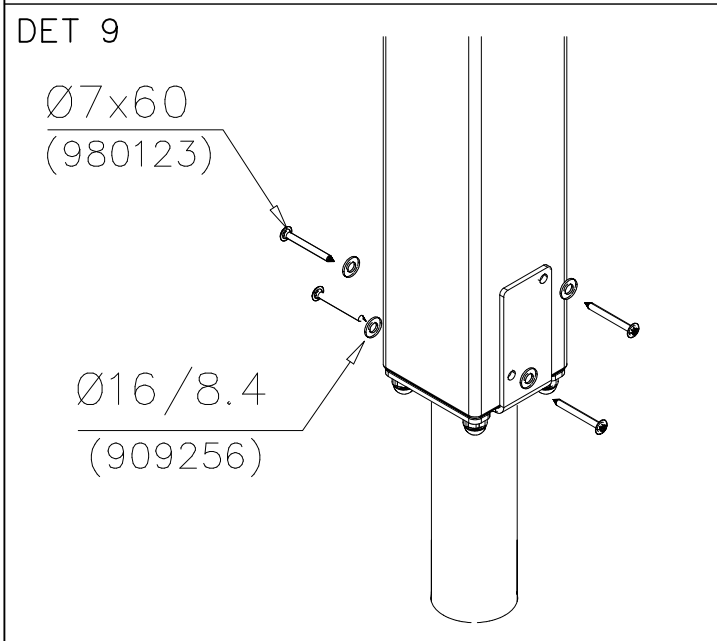
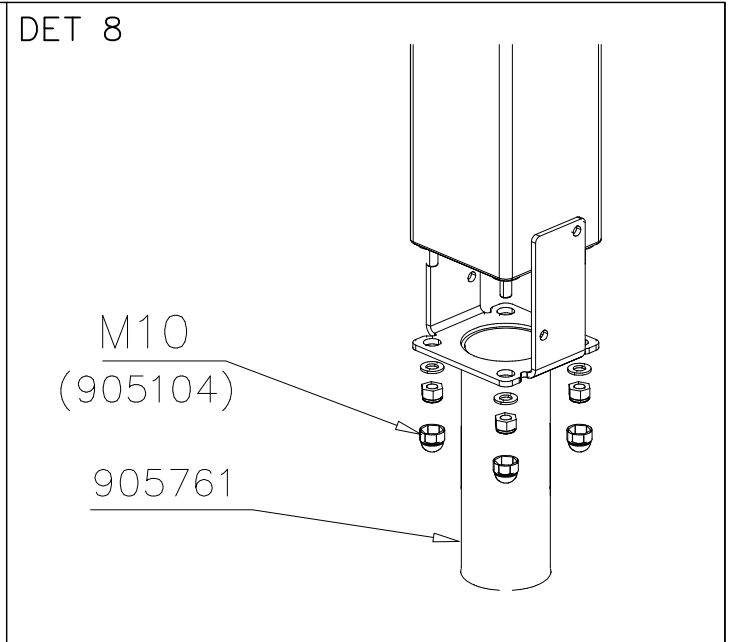
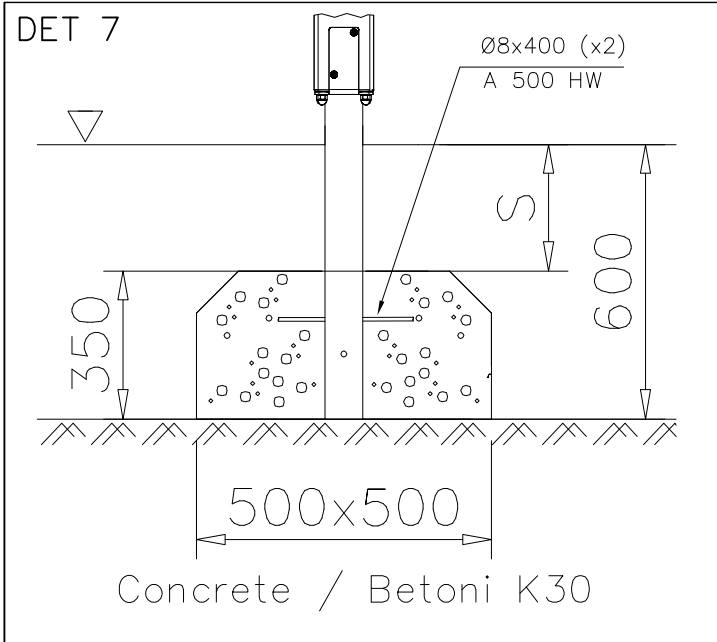
DET 4



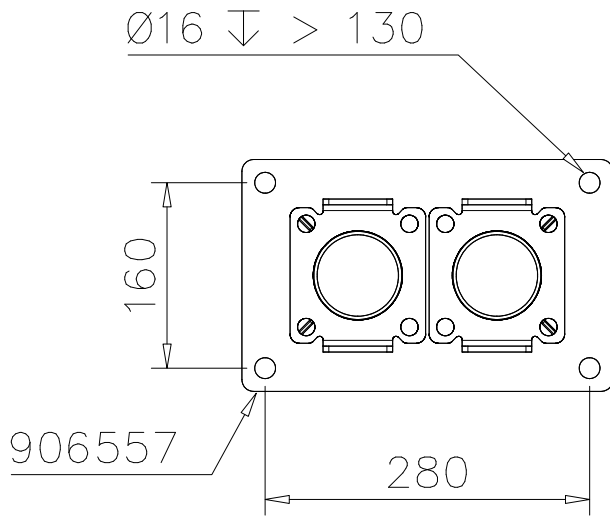
DET 5



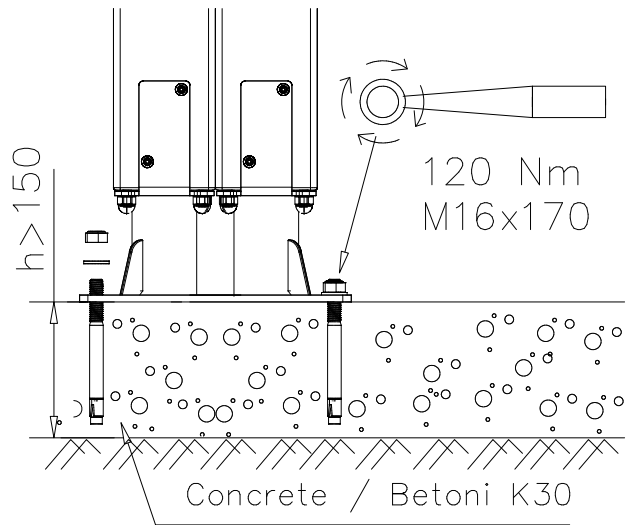
DET 6



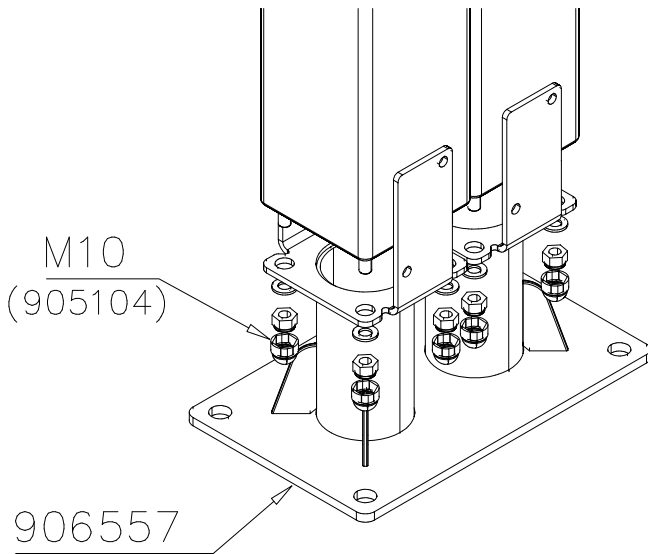
DET 13



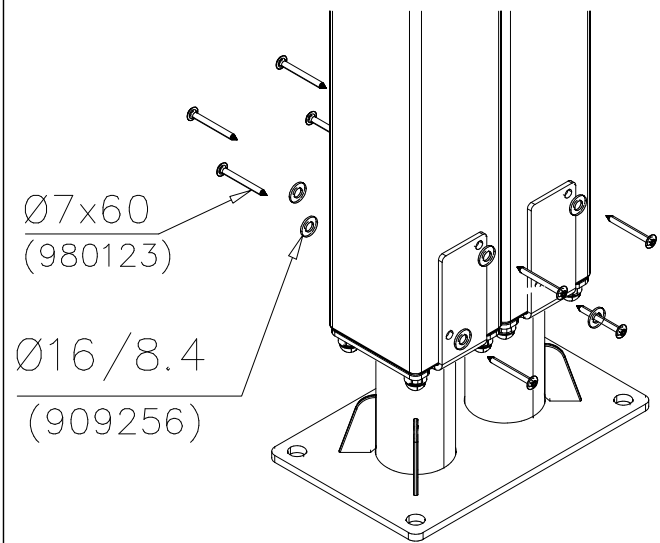
DET 14



DET 15

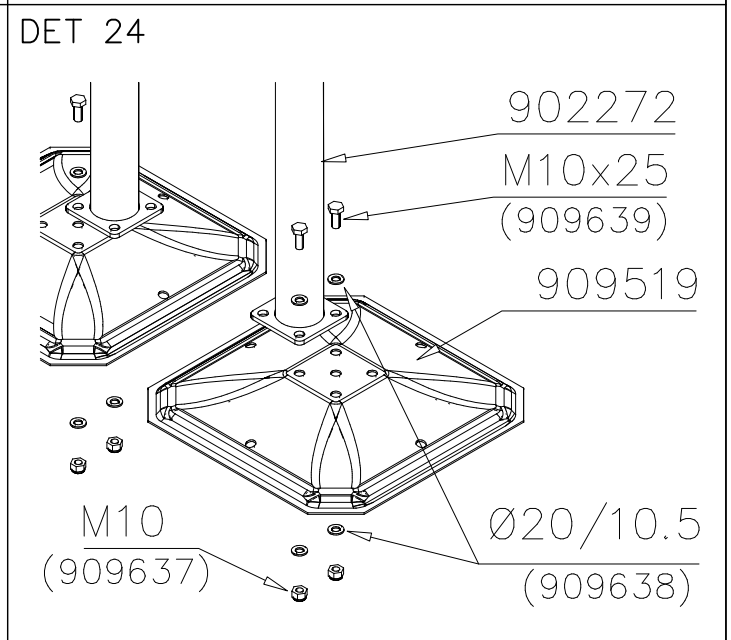
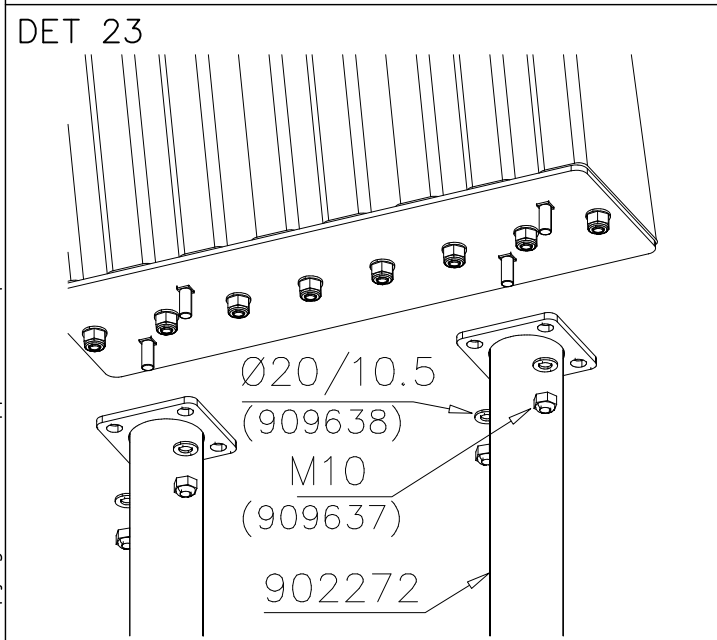
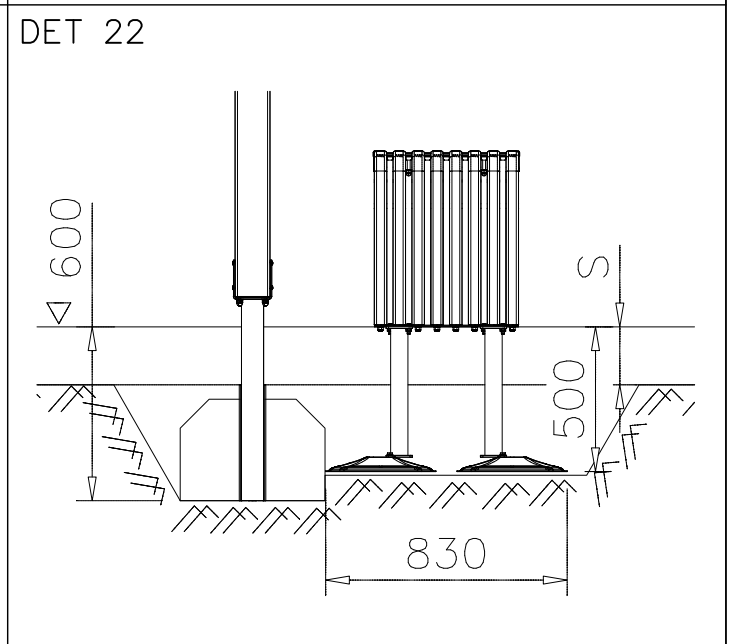
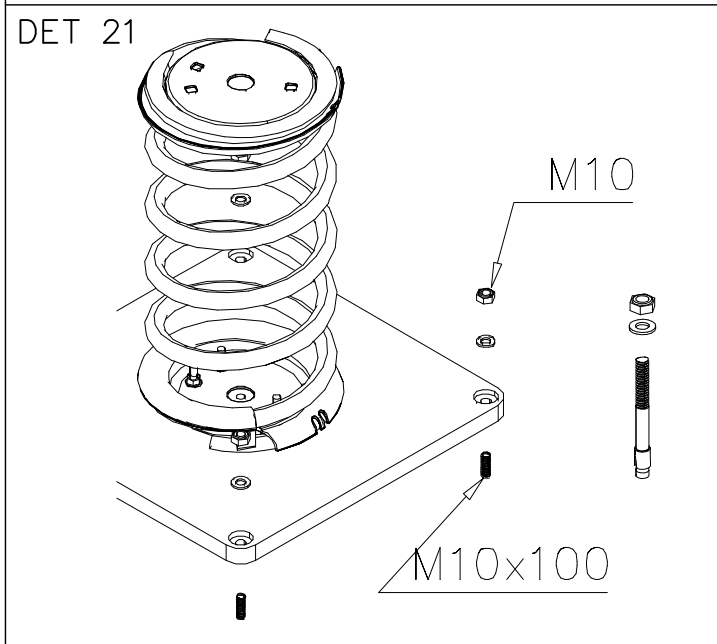
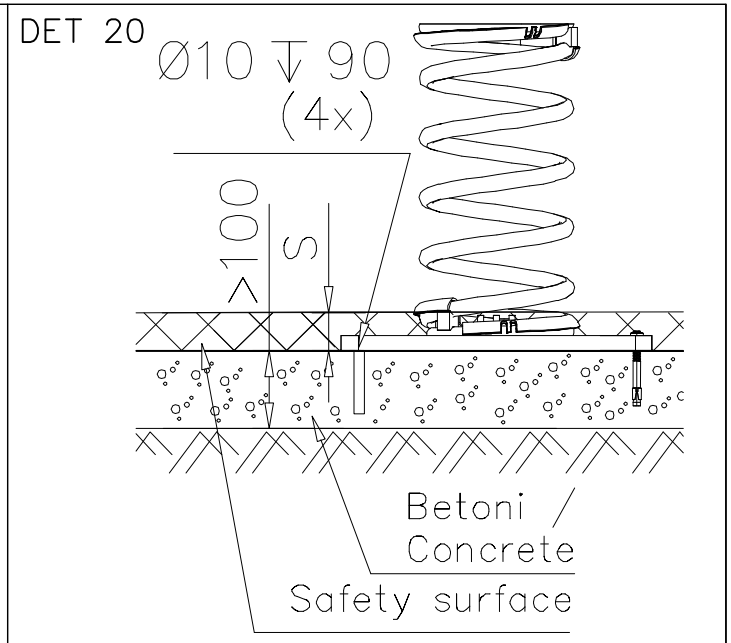
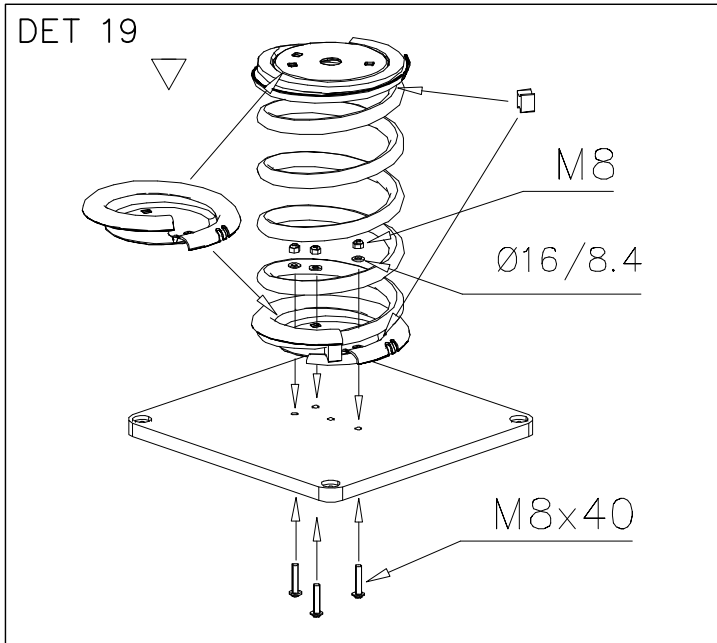


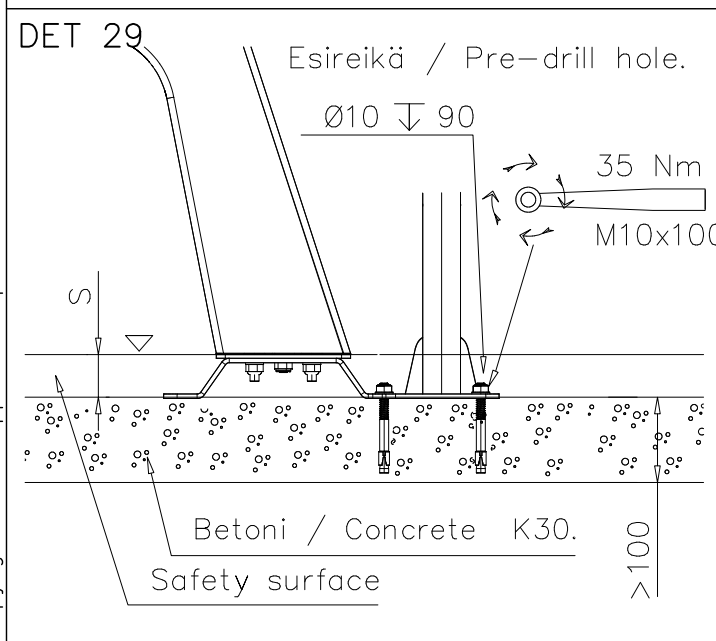
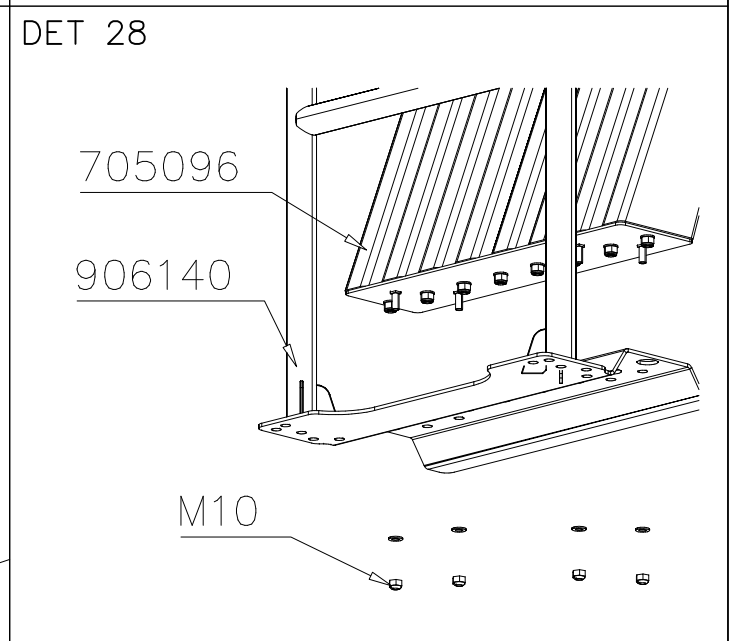
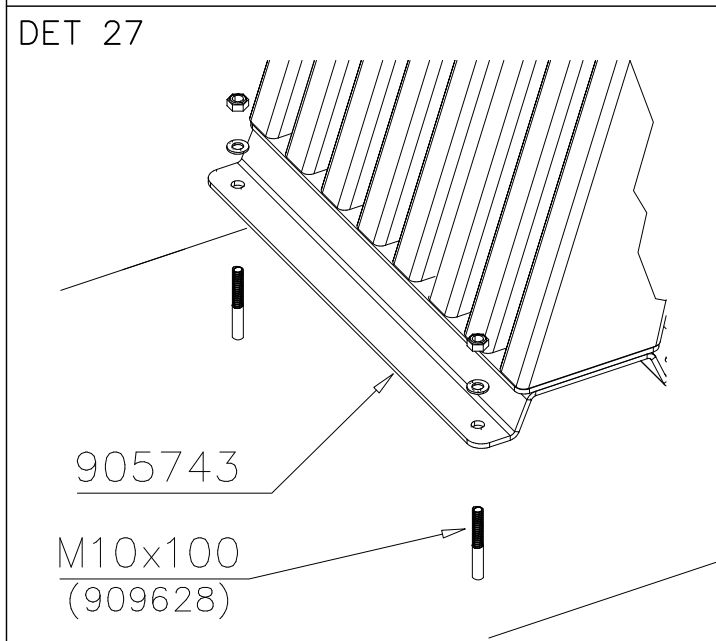
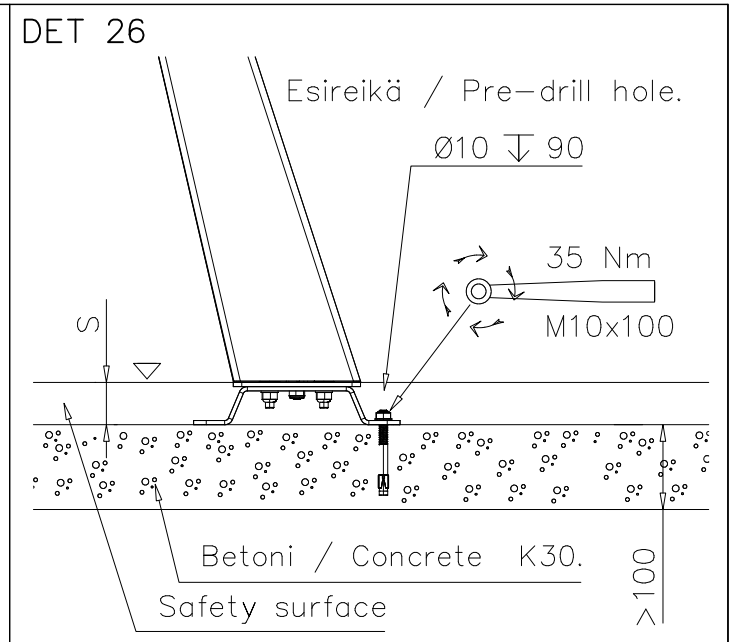
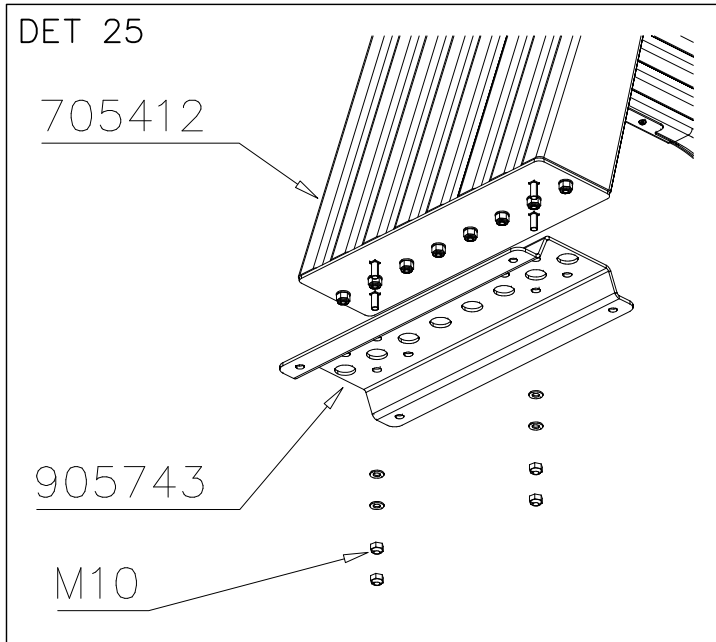
DET 16



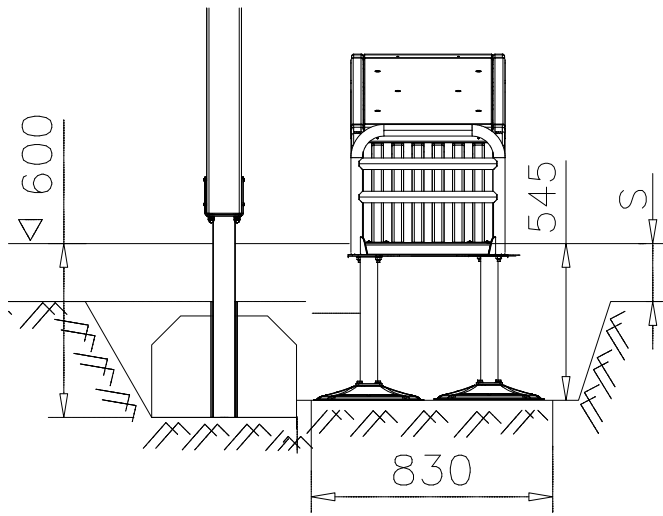
DET 17

DET 18

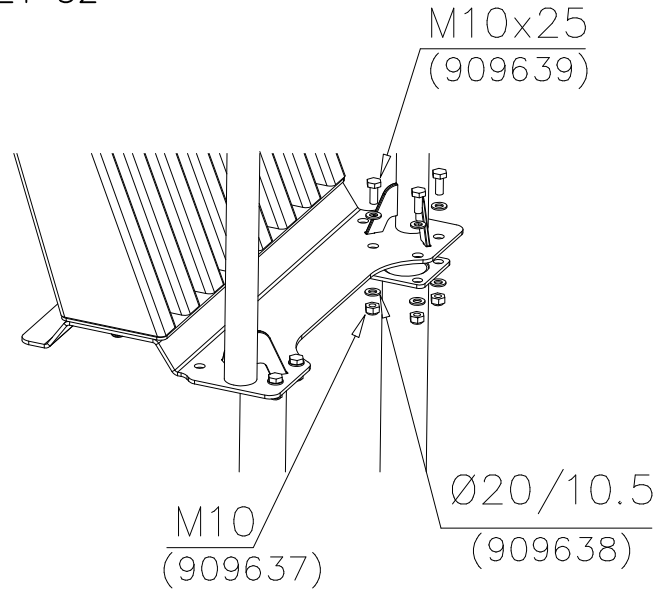




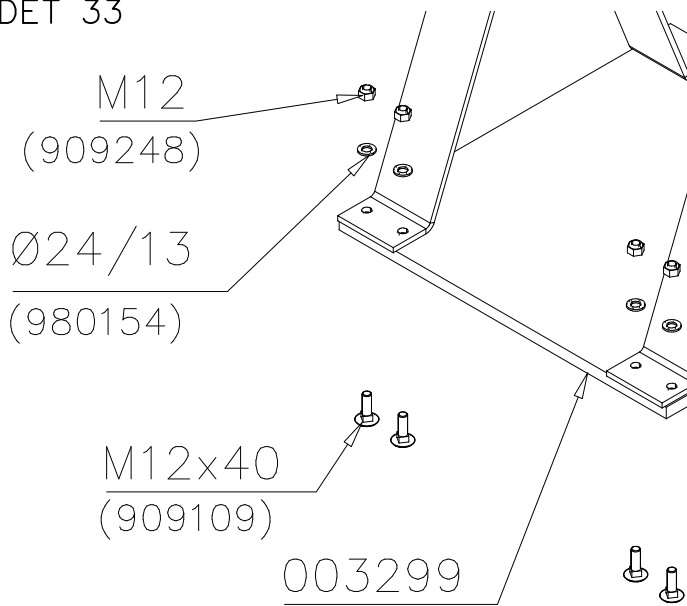
DET 31



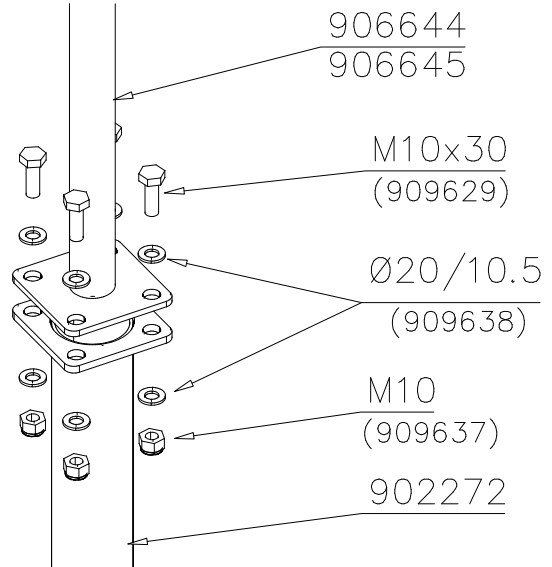
DET 32



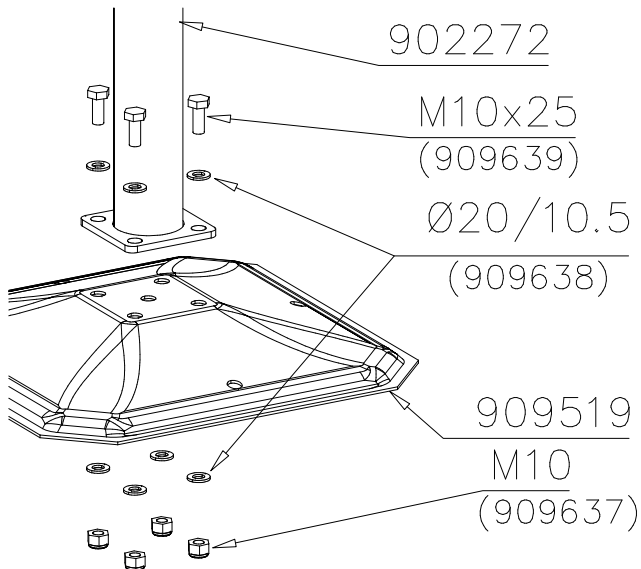
DET 33



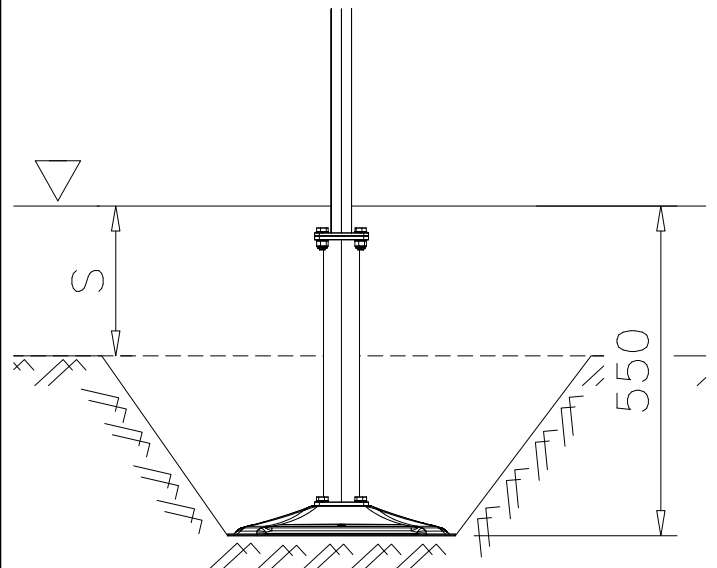
DET 34



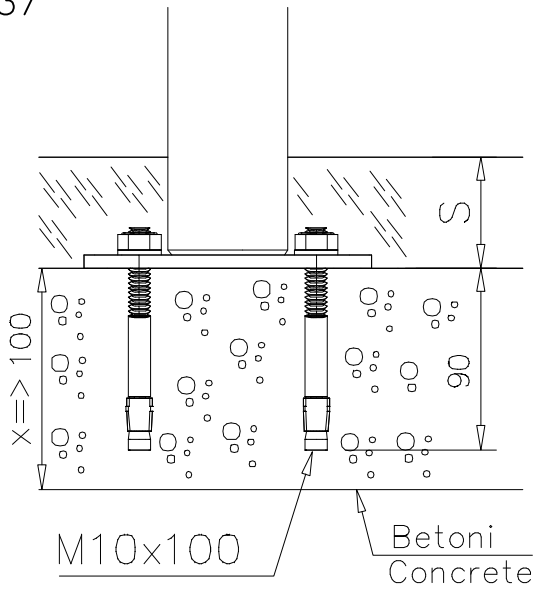
DET 35



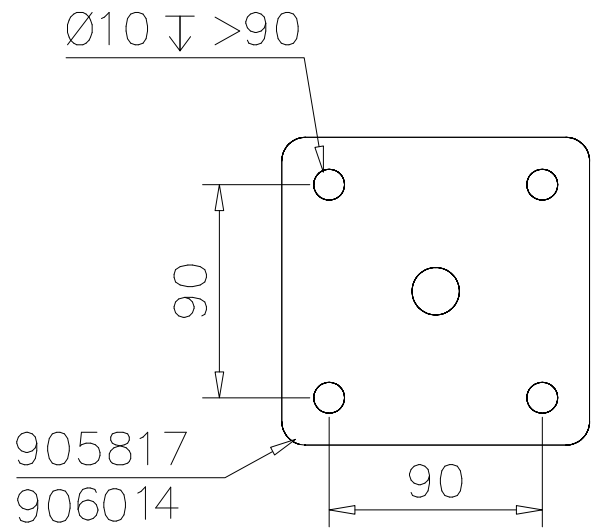
DET 36



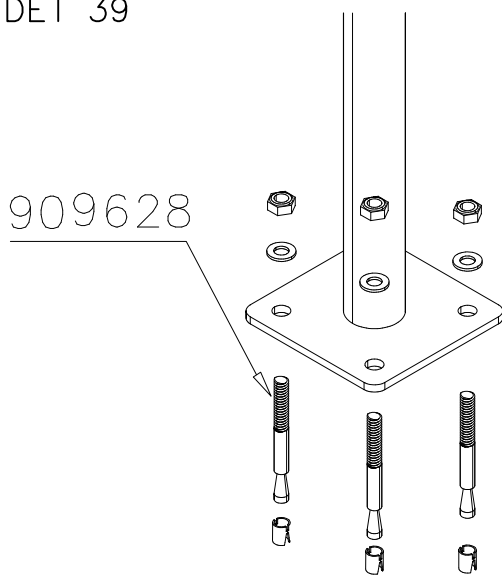
DET 37



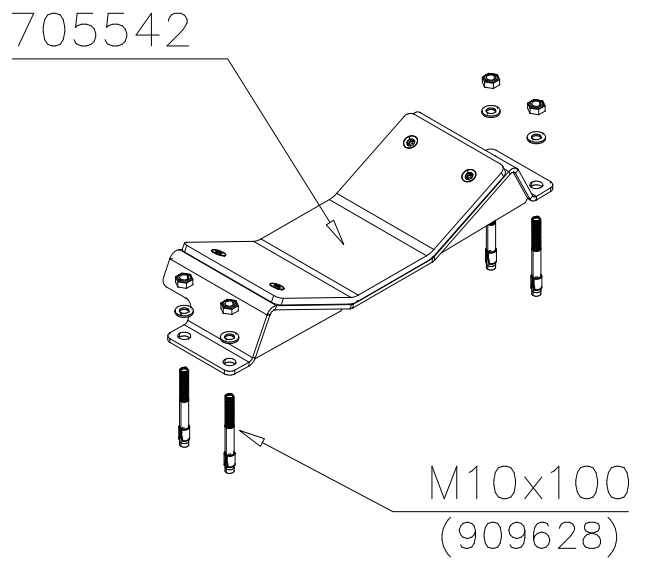
DET 38



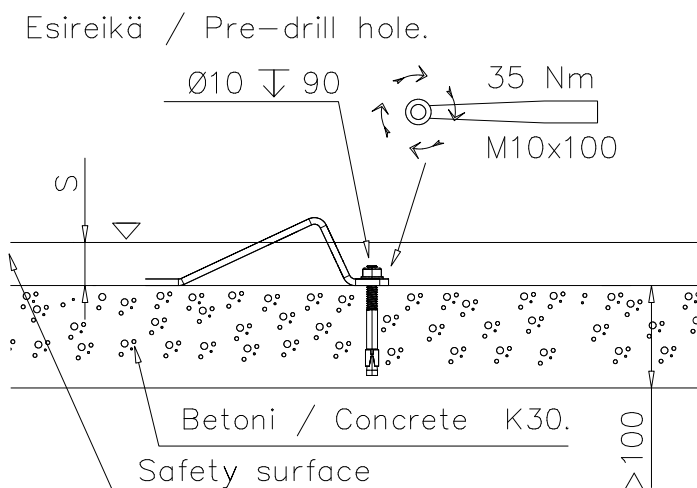
DET 39



DET 40



DET 41



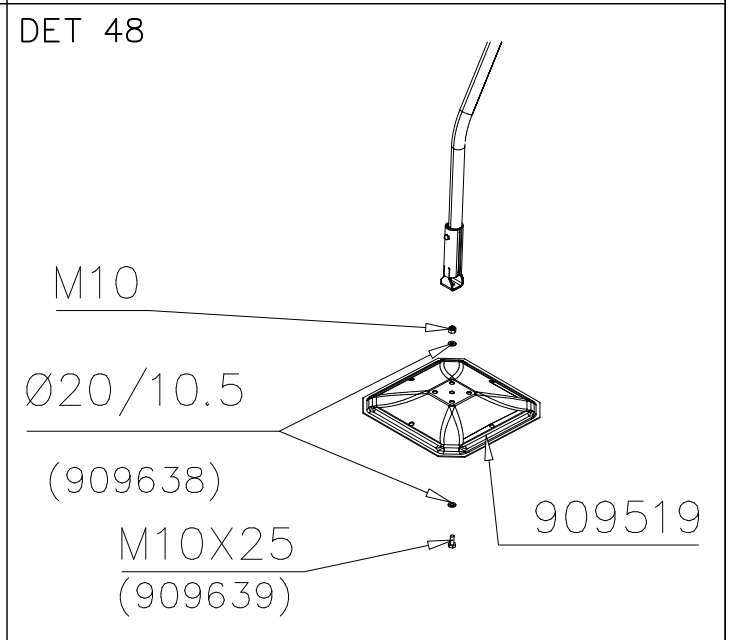
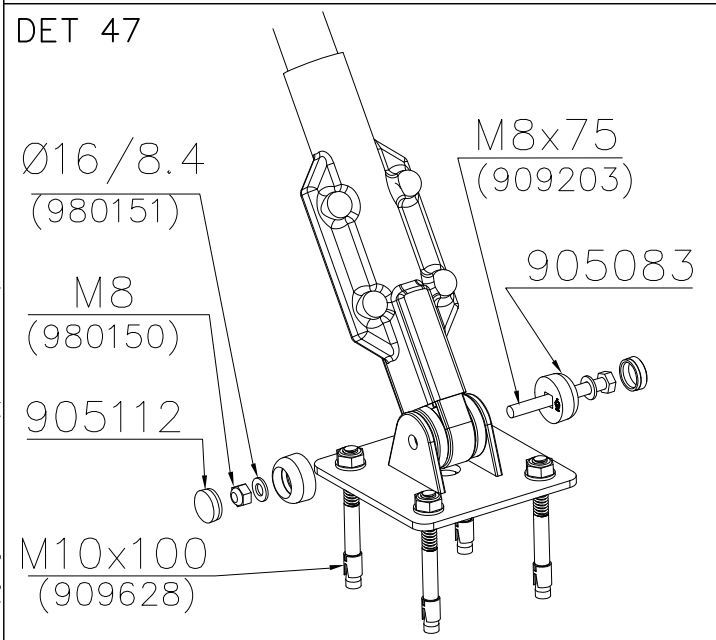
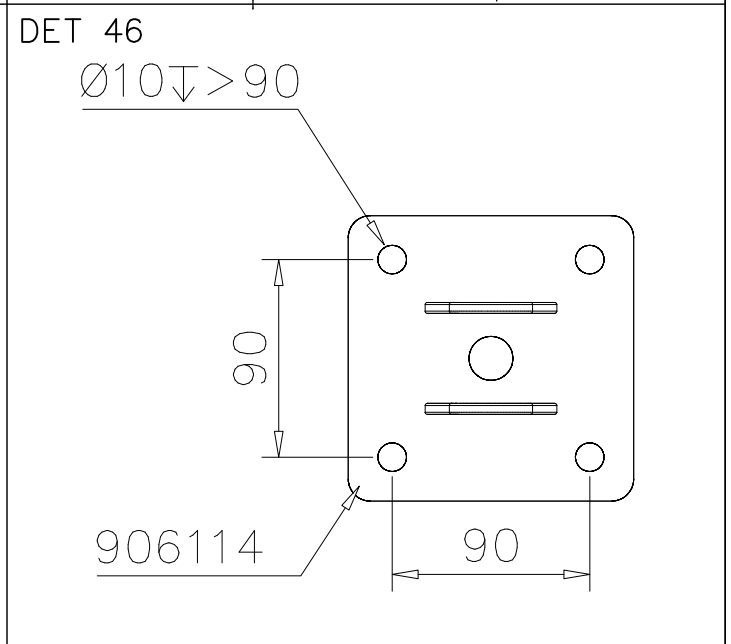
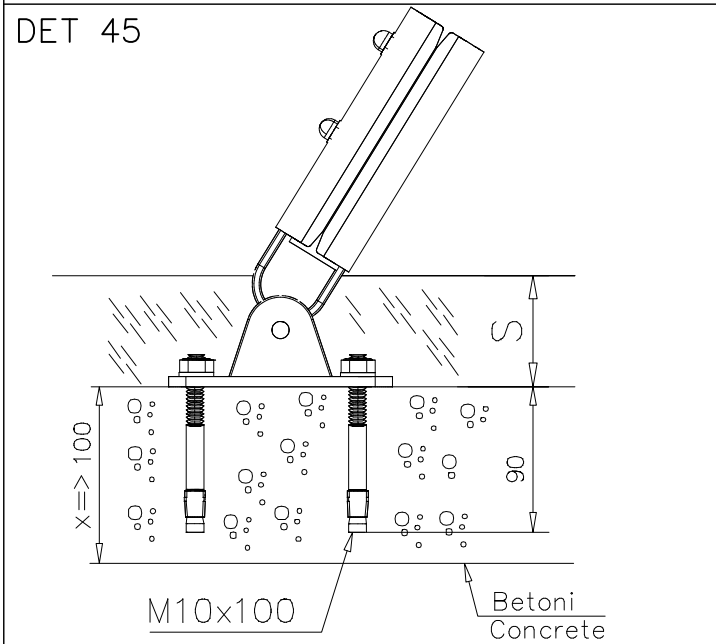
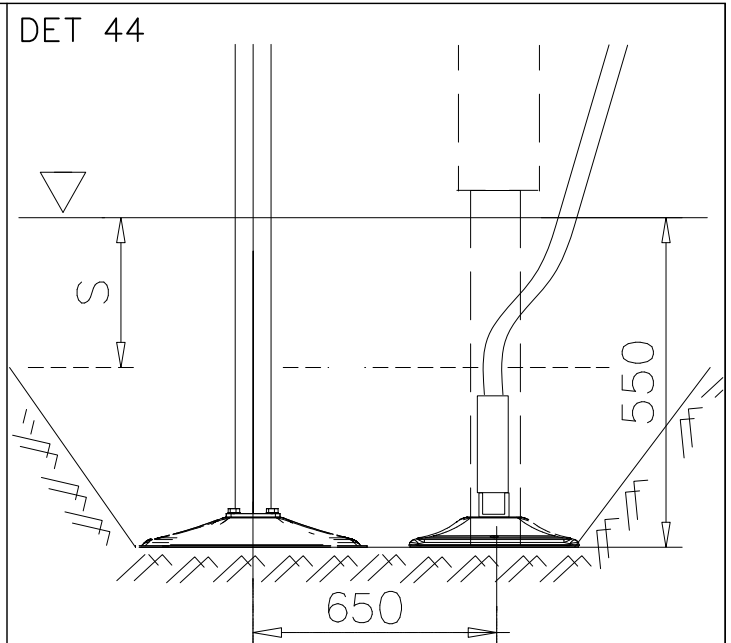
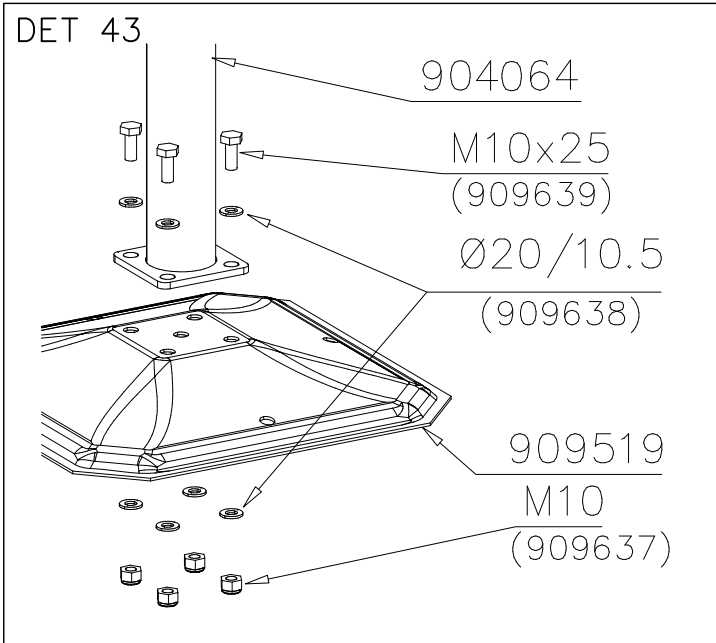
DET 42

LAPPSET SPORT

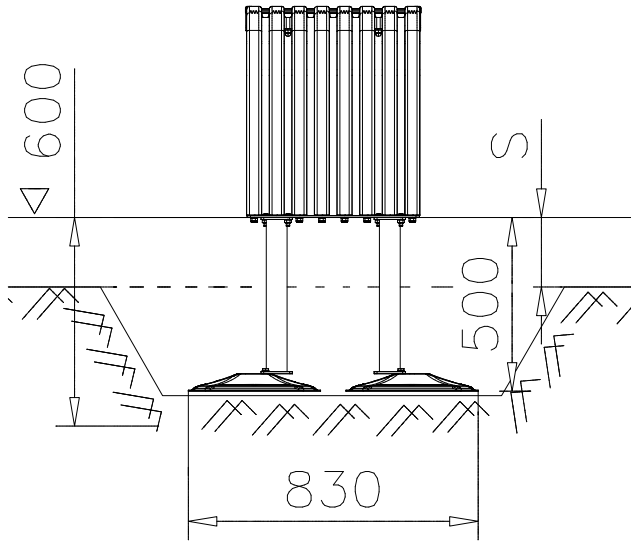
BASE

DATE: 15.8.2017

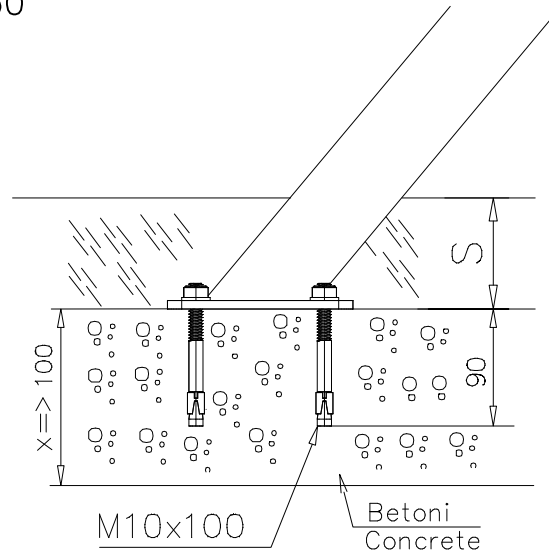
8(10)



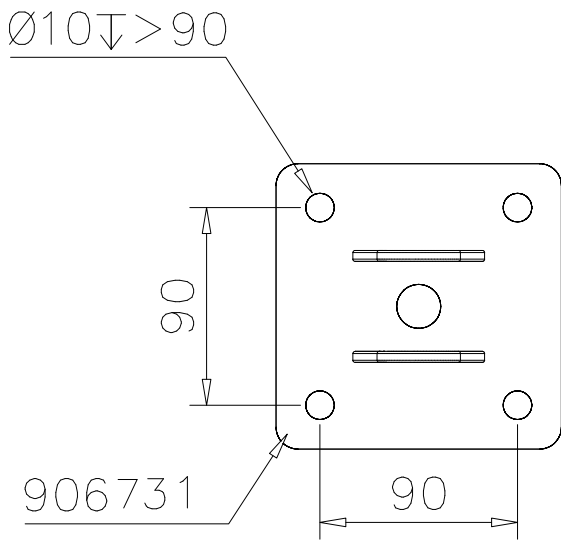
DET 49



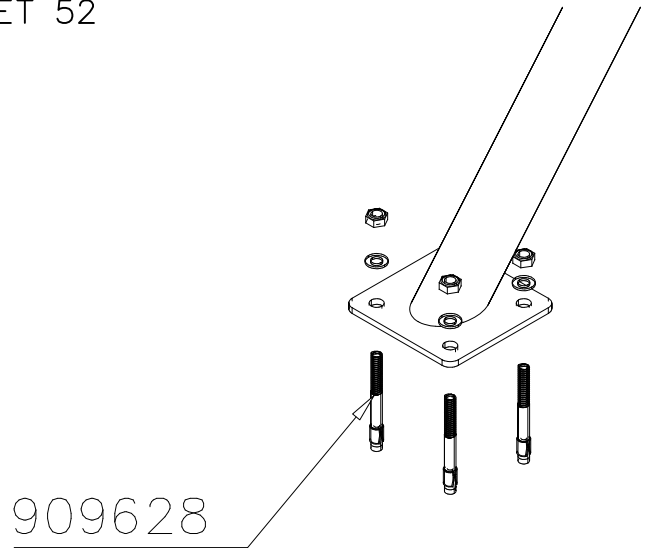
DET 50



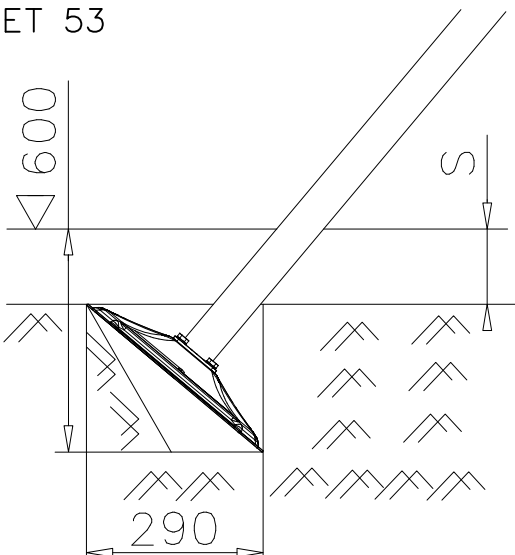
DET 51



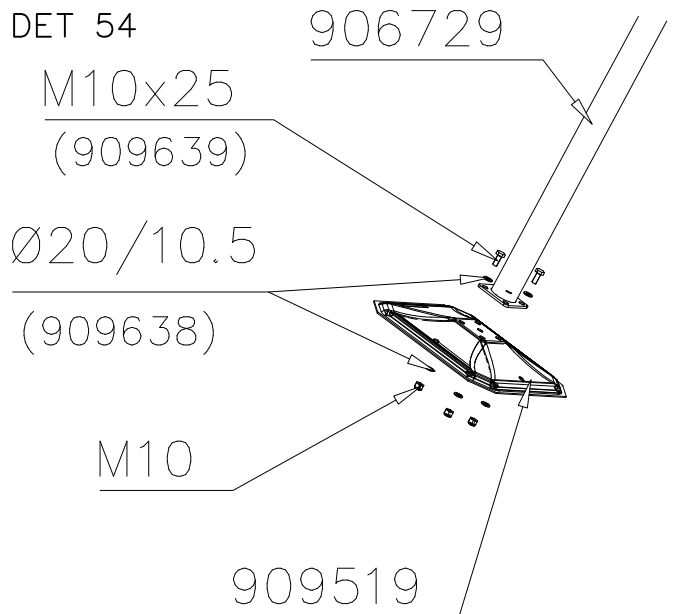
DET 52



DET 53

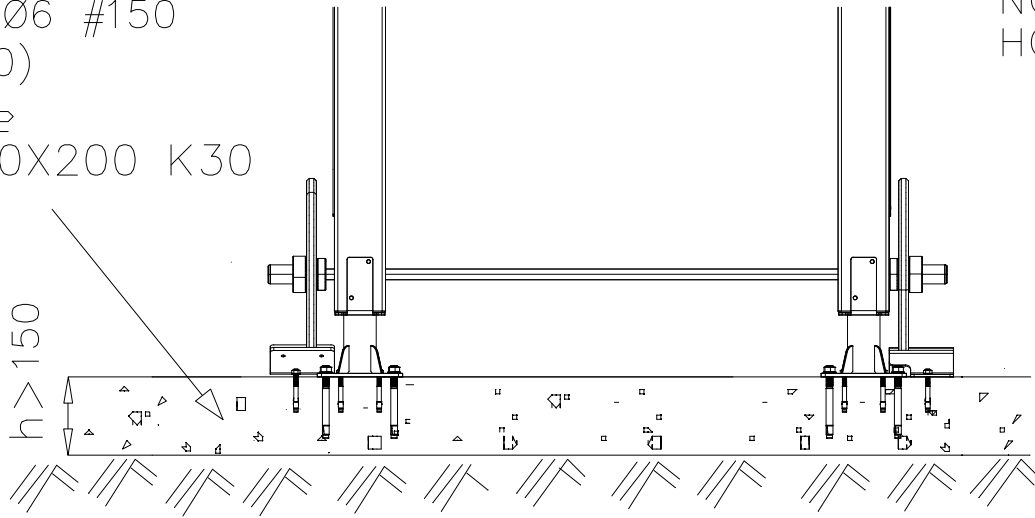


DET 54



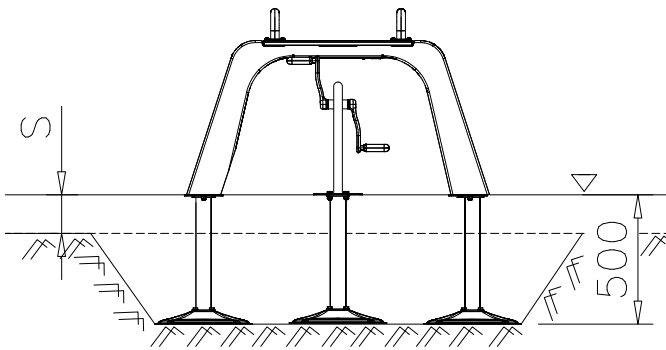
DET 55

STEELNET Ø6 #150
(1400x2100)
Concrete
1500X2200X200 K30

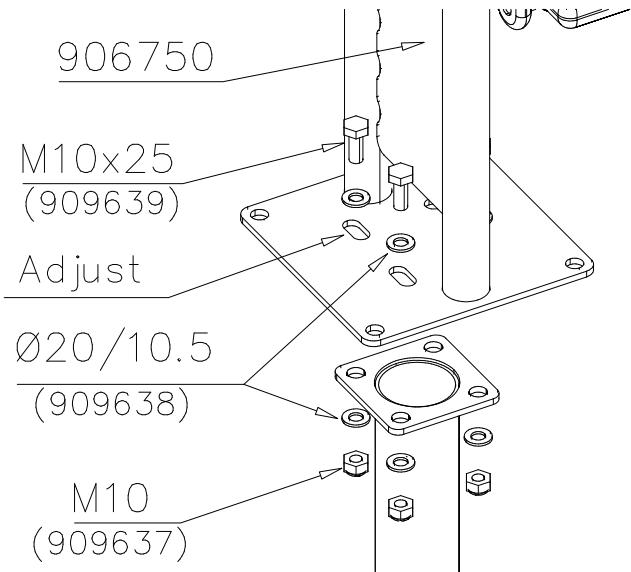


NOTE!
HOX!

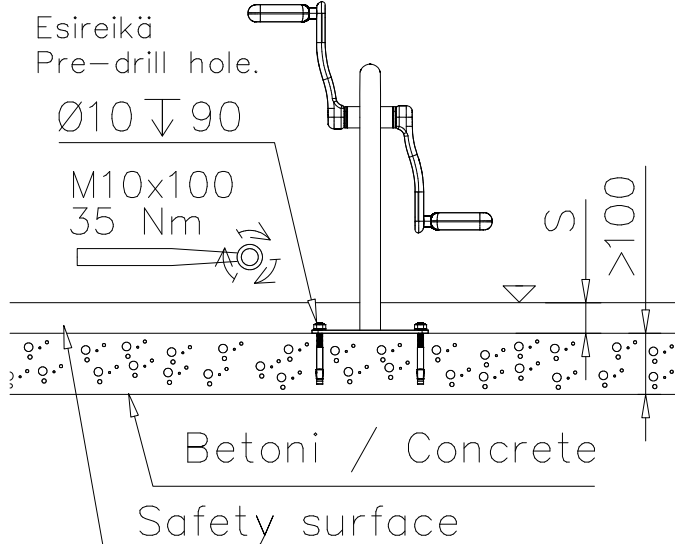
DET 56



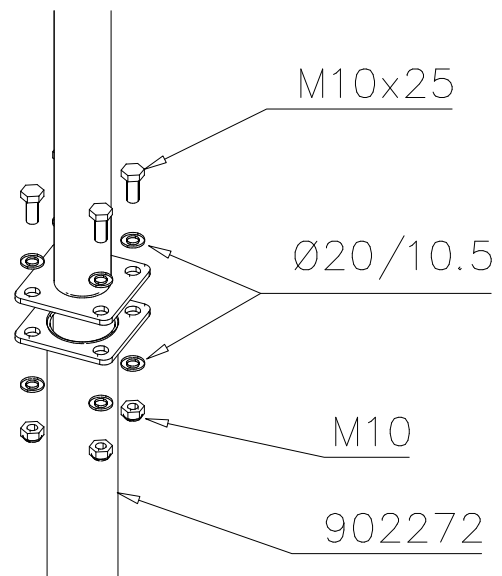
DET 57



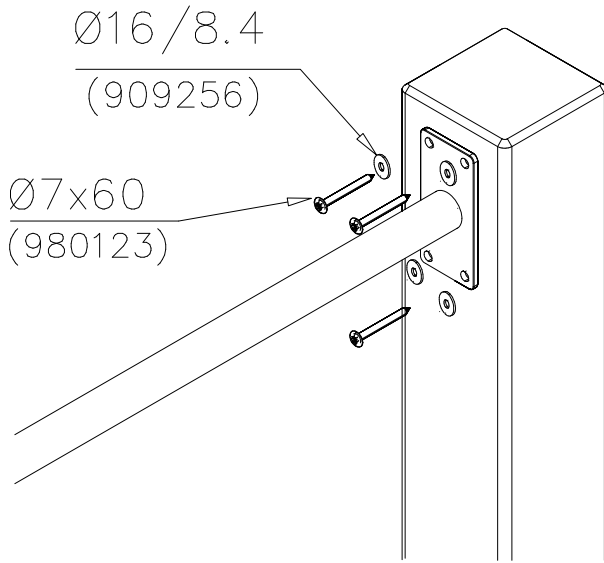
DET 58



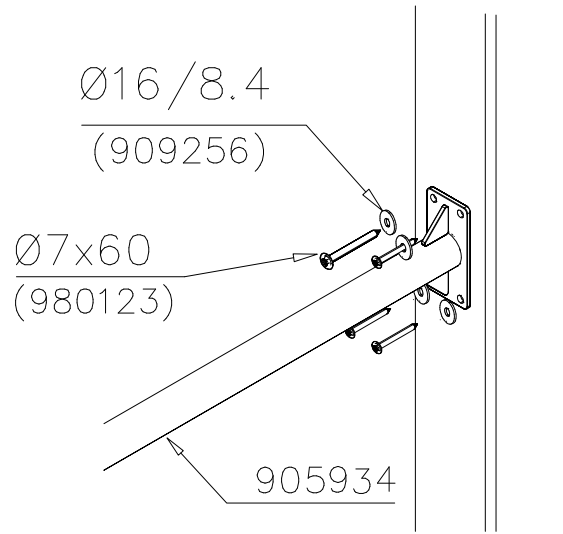
DET 59



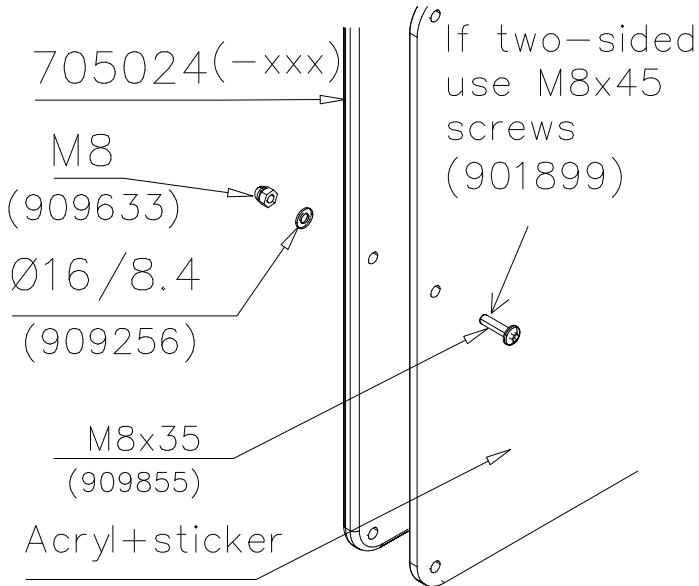
DET 1



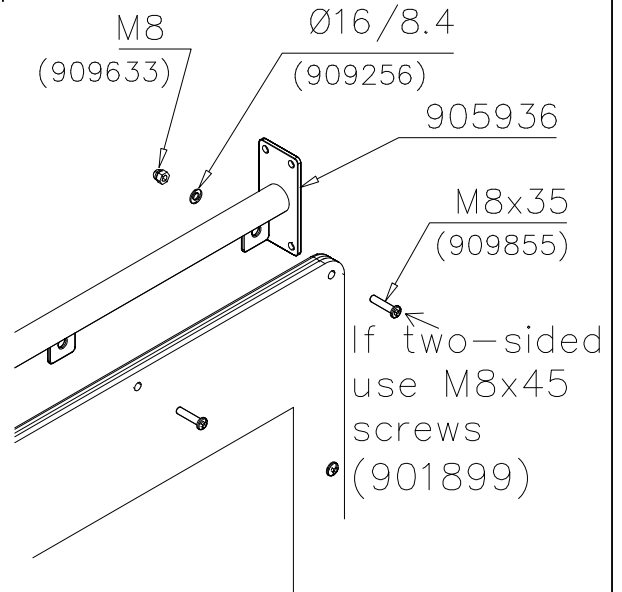
DET 2



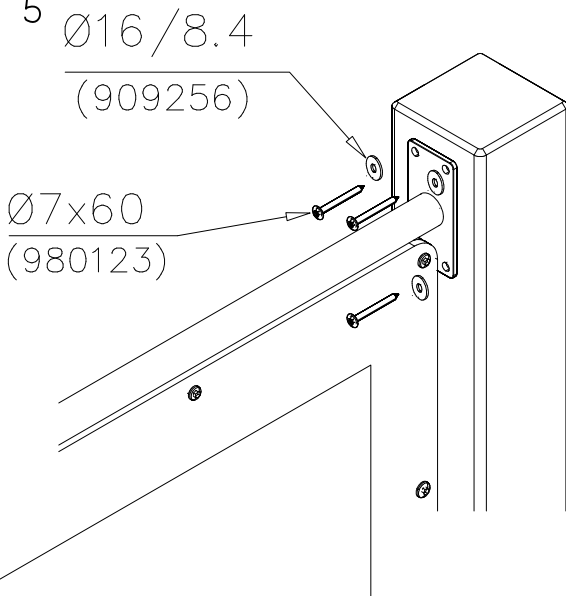
DET 3



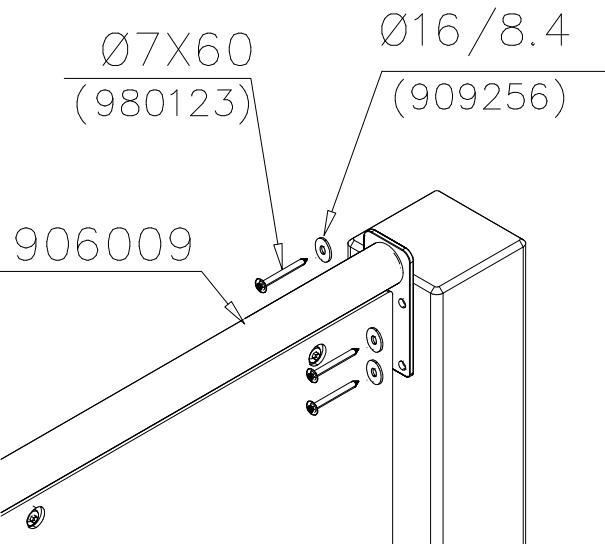
DET 4

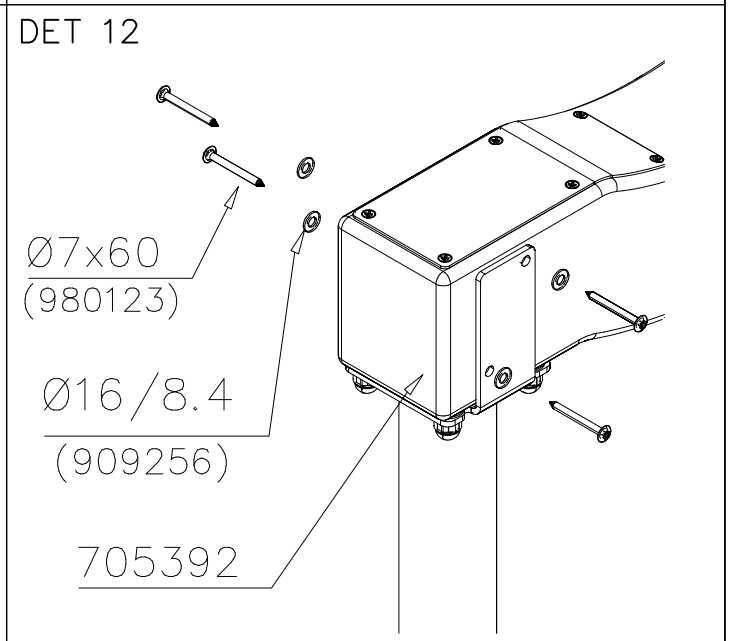
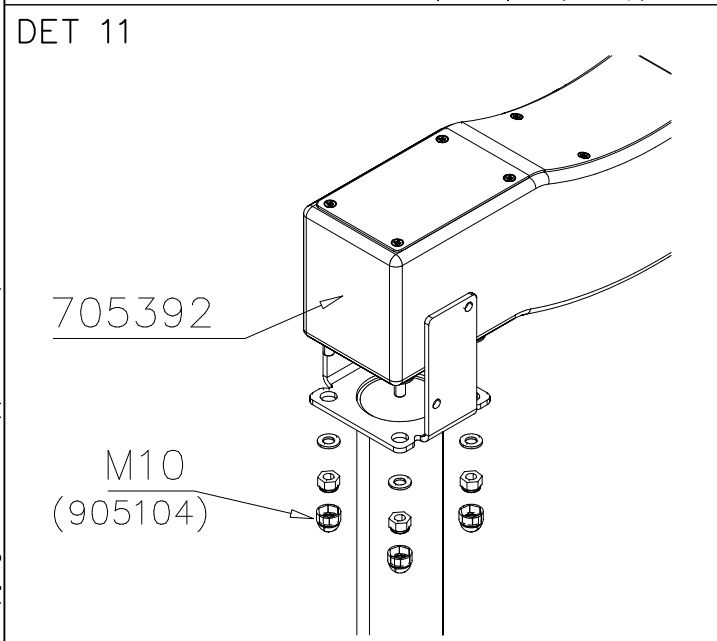
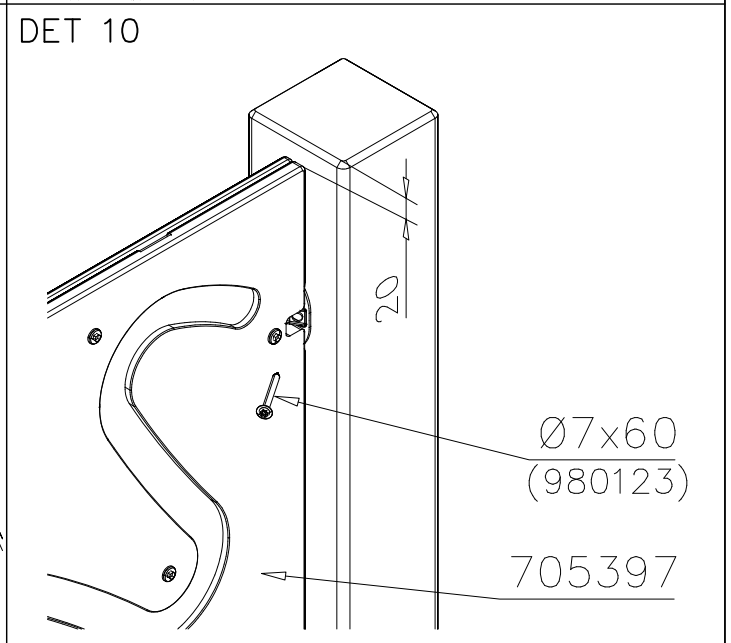
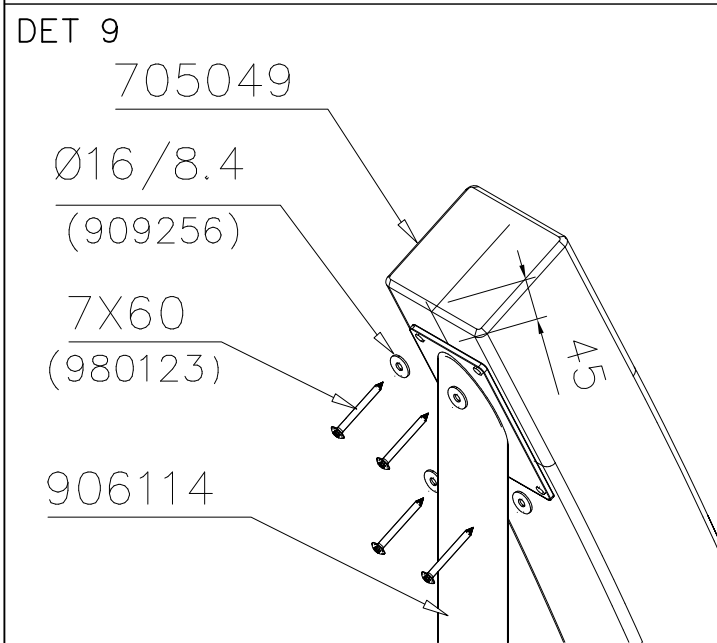
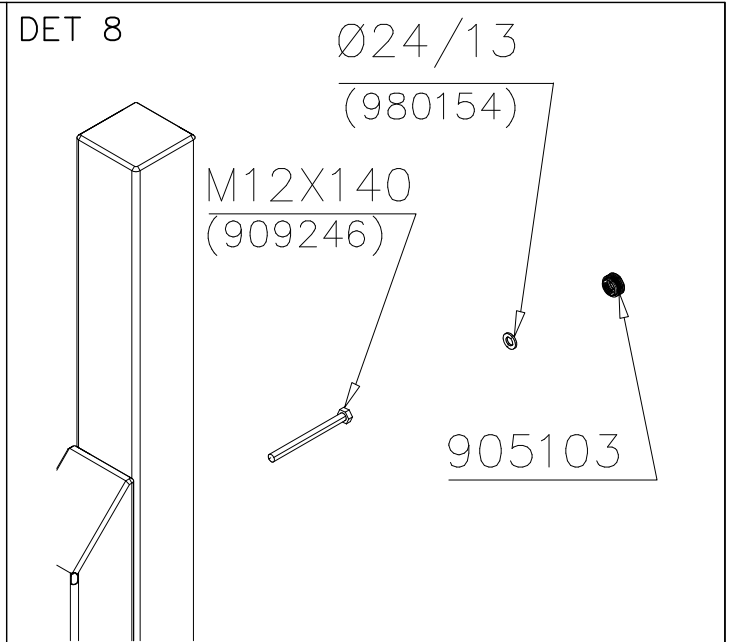
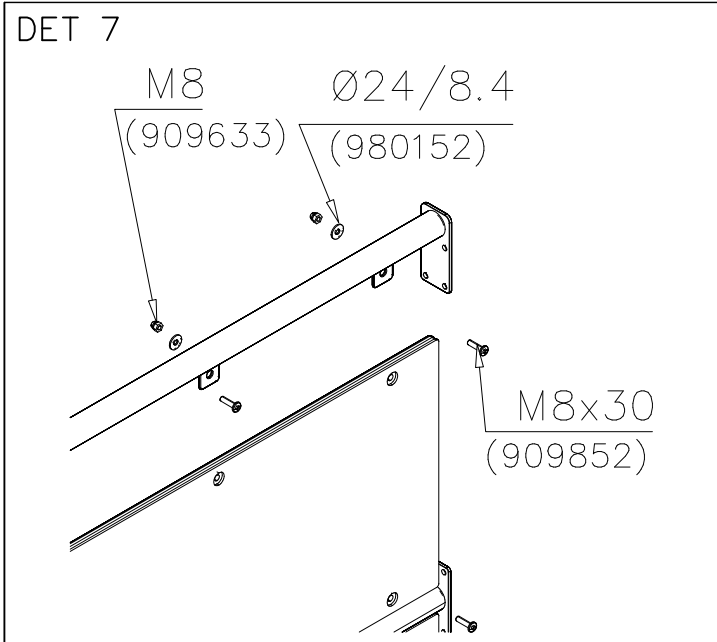


DET 5

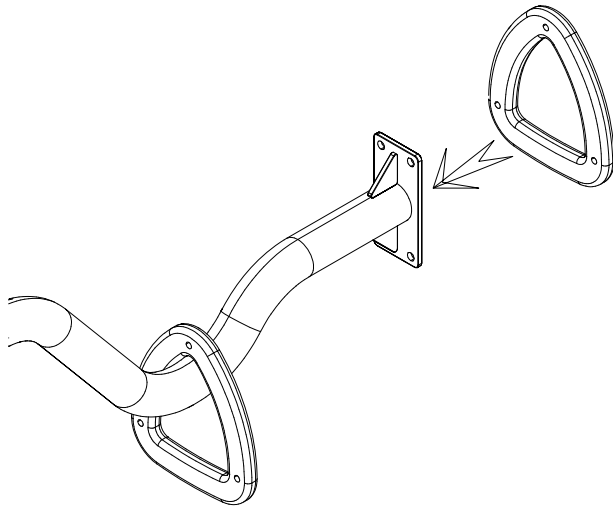


DET 6

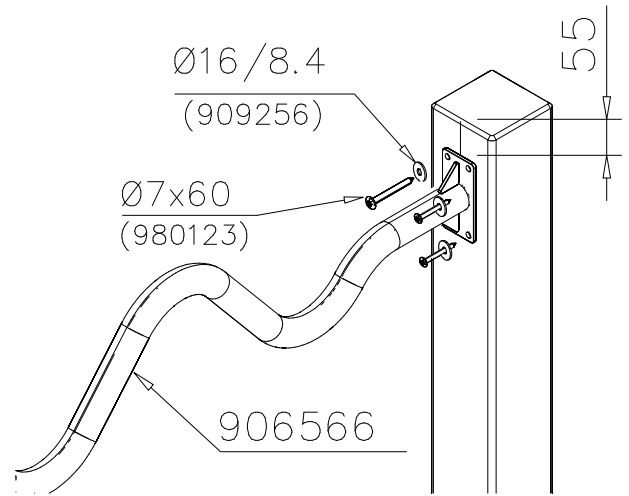




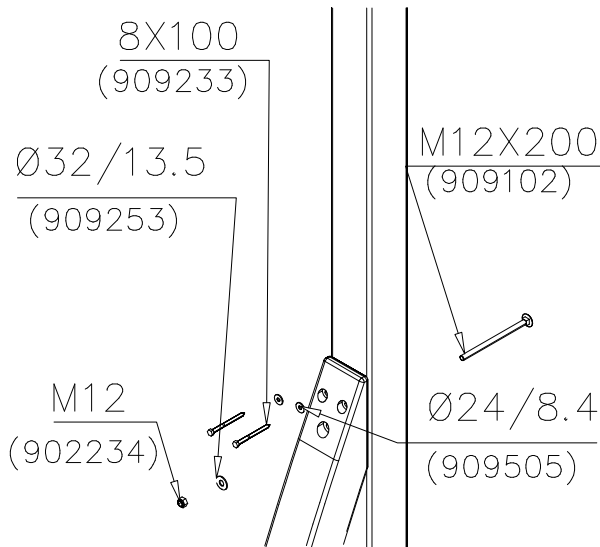
DET 13



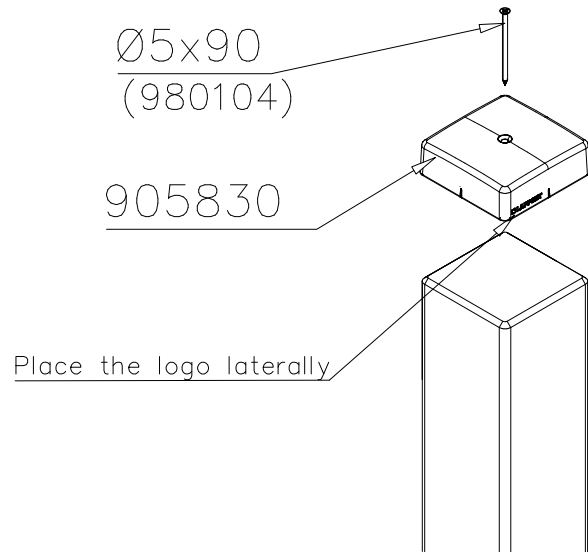
DET 14



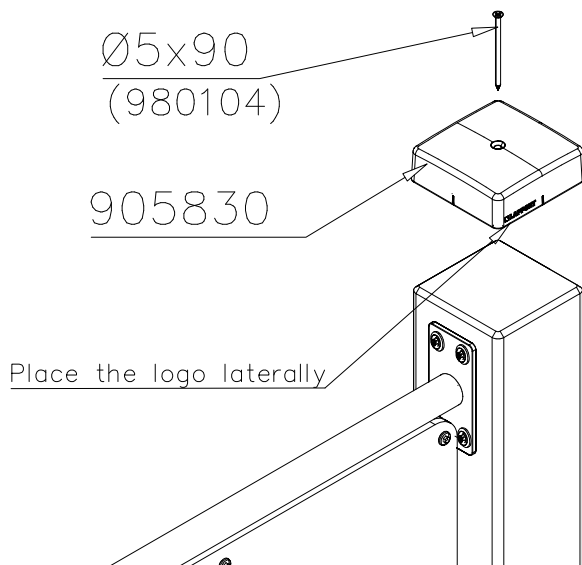
DET 15



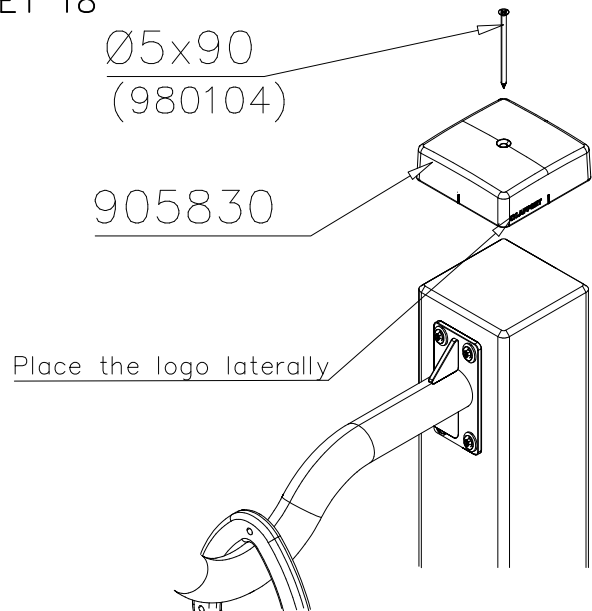
DET 16



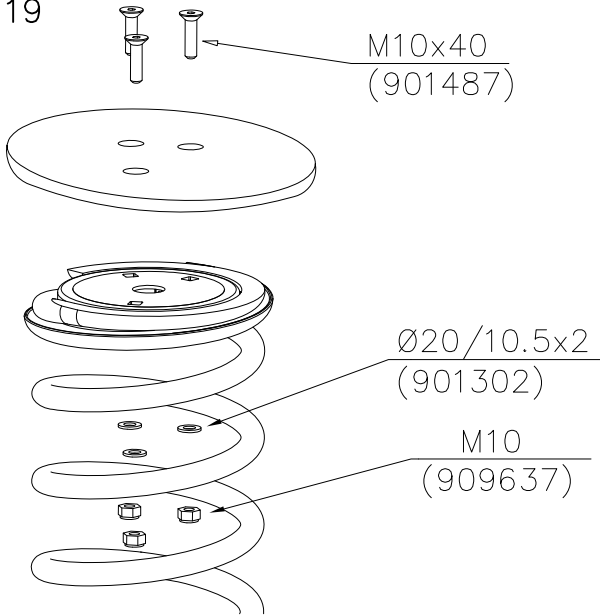
DET 17



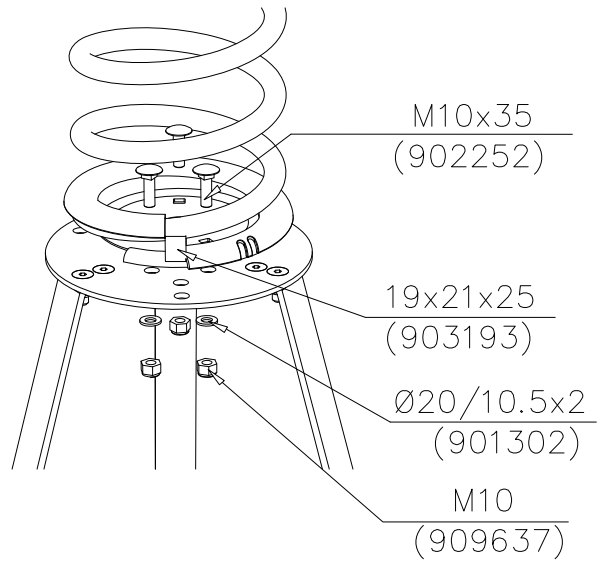
DET 18



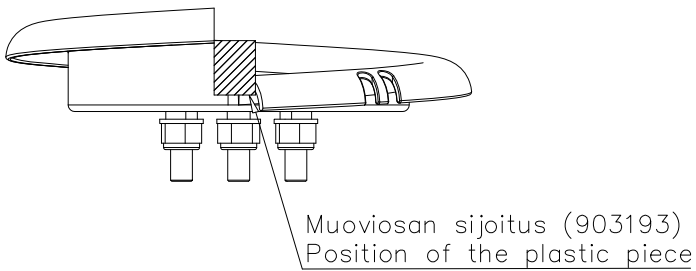
DET 19



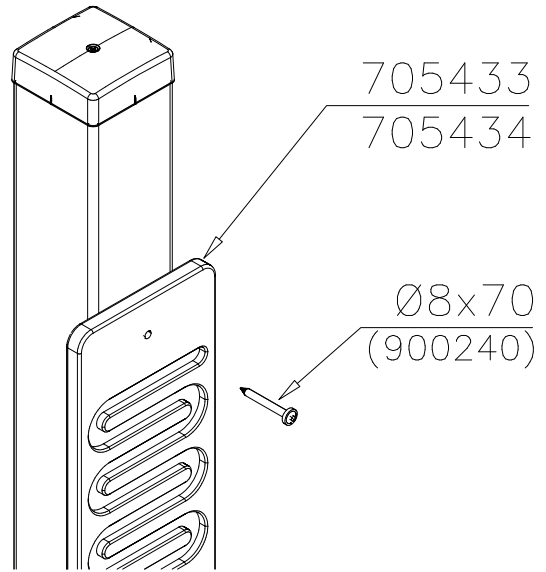
DET 20



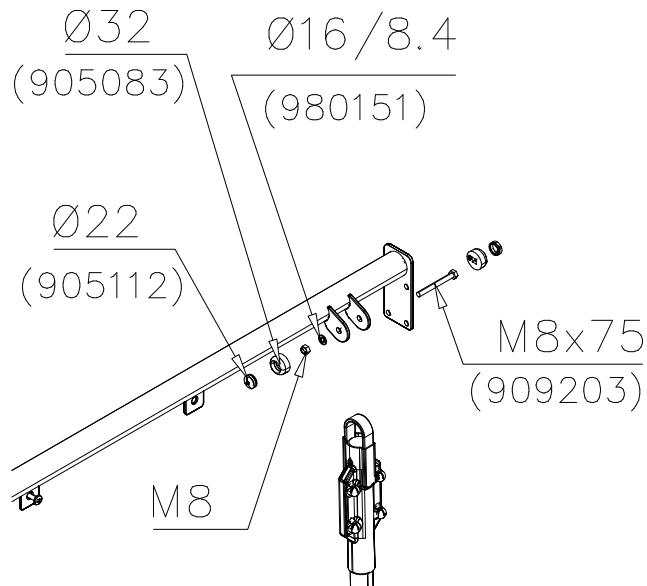
DET 21



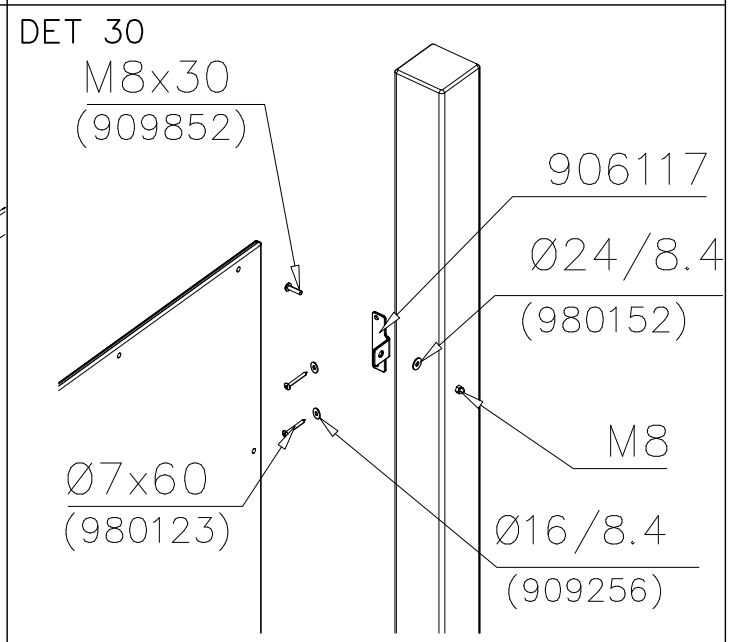
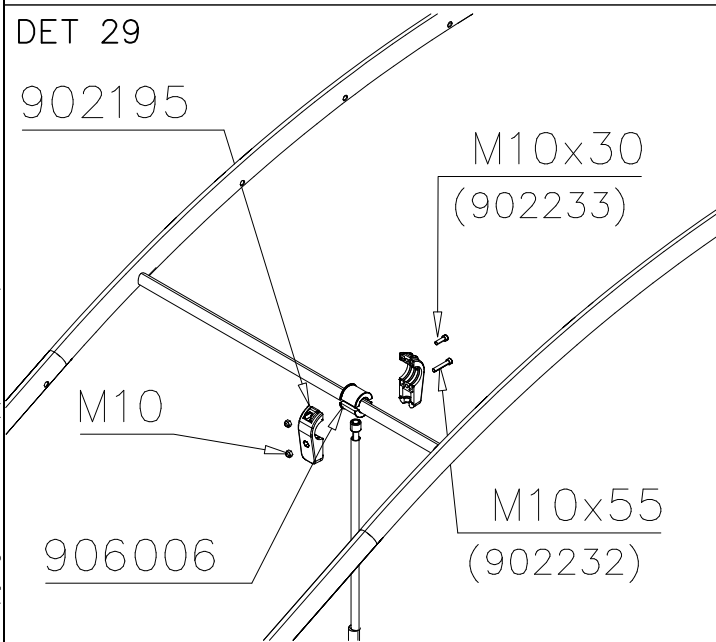
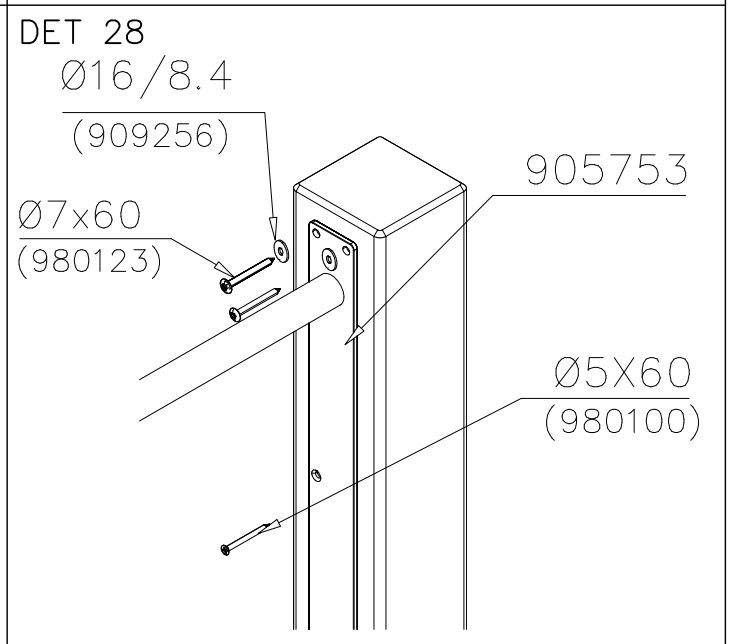
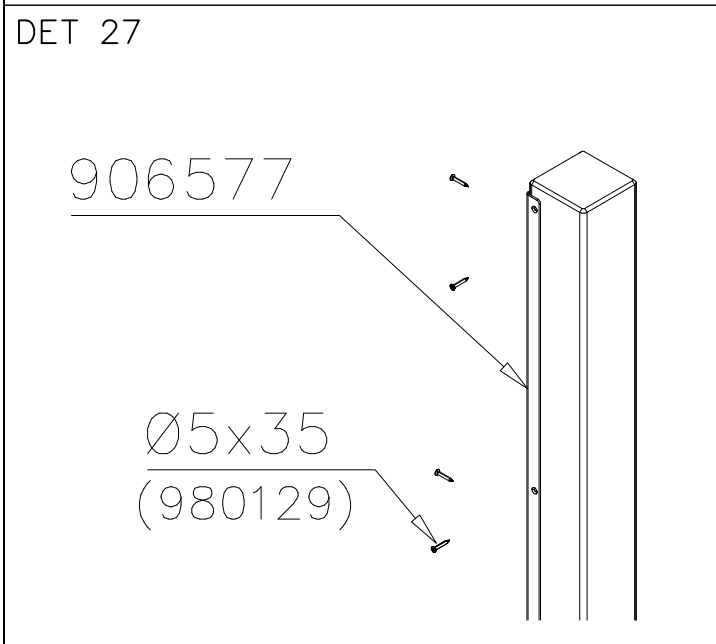
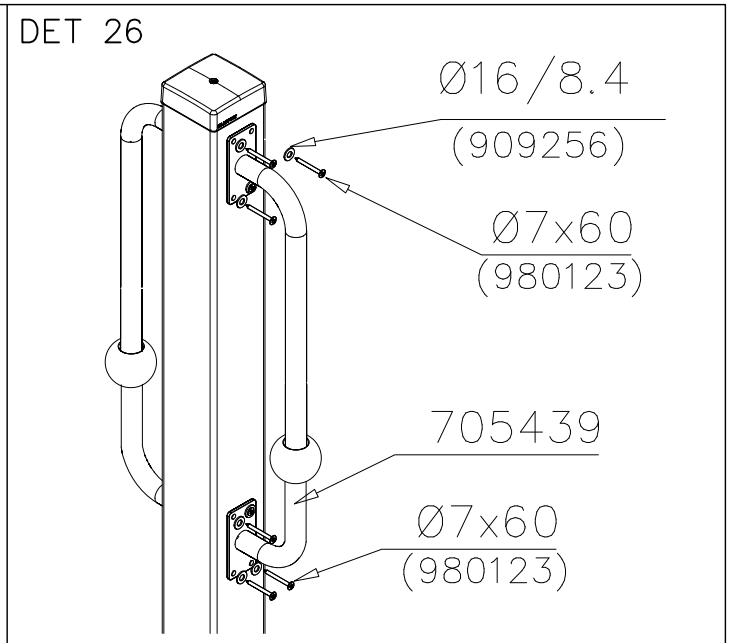
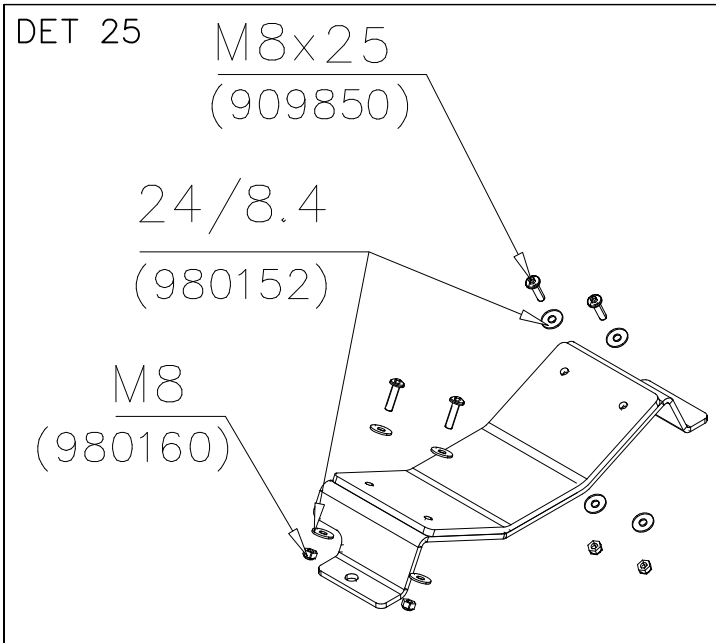
DET 22



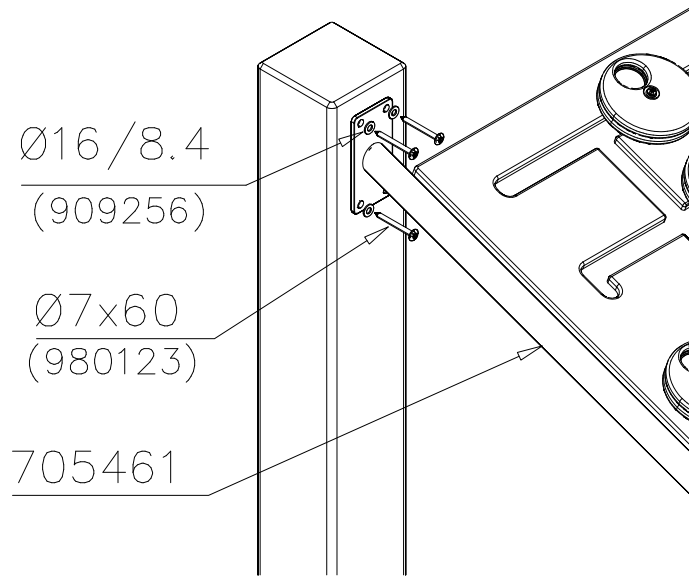
DET 23



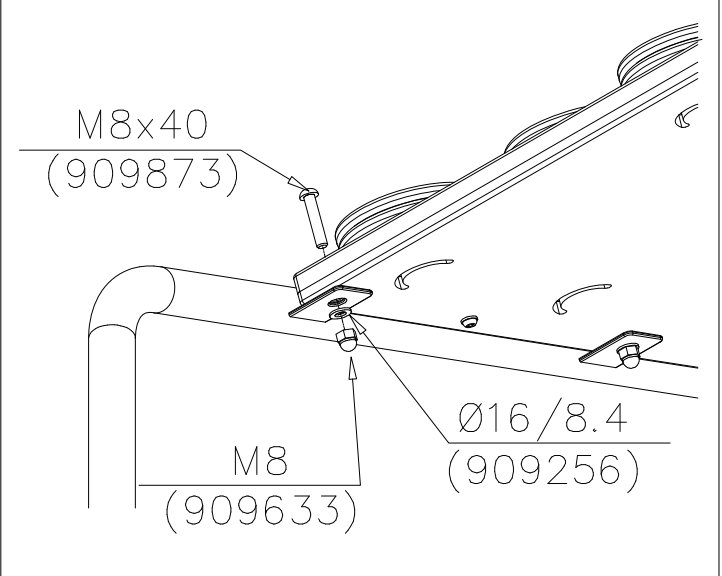
DET 24



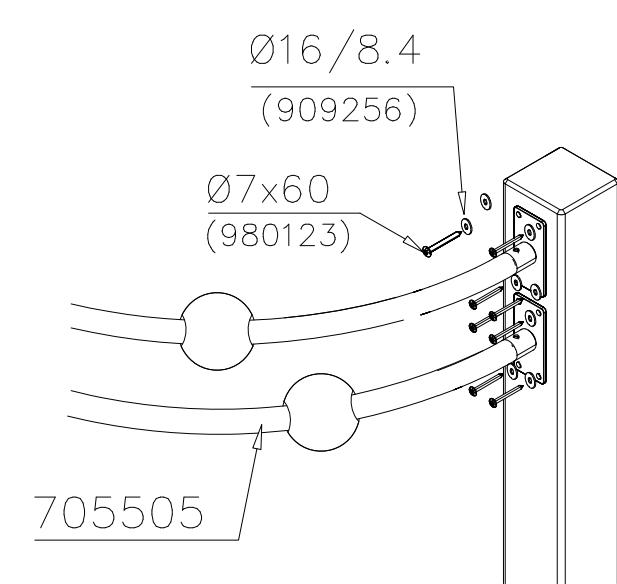
DET 31



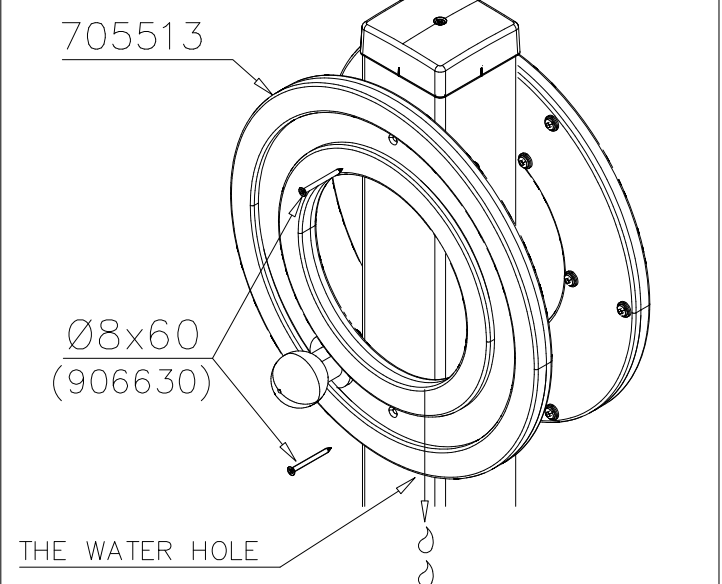
DET 32



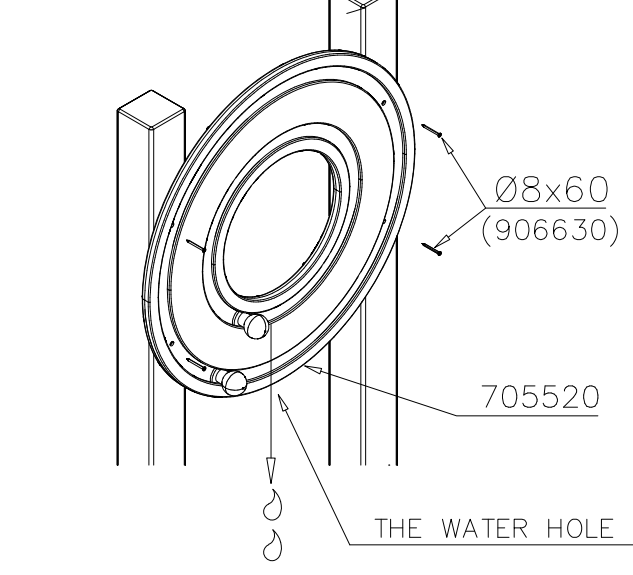
DET 33



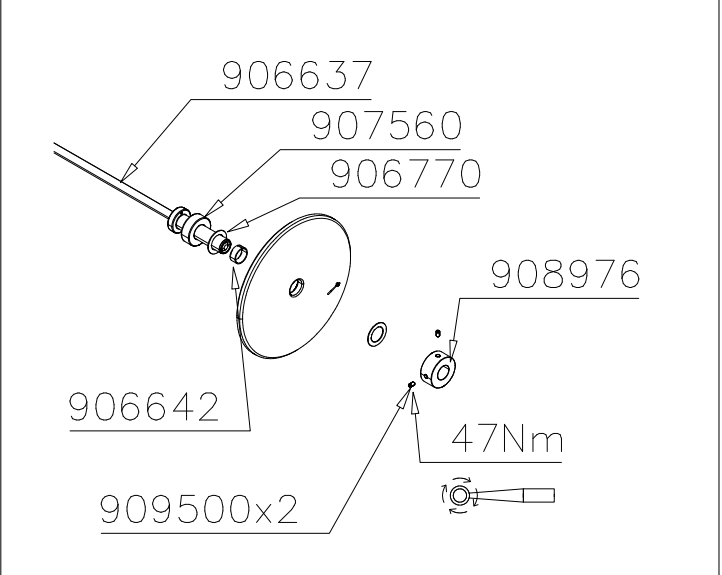
DET 34



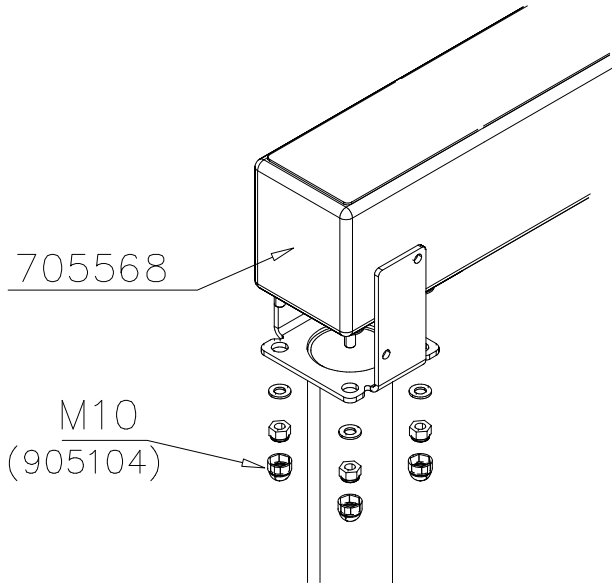
DET 35



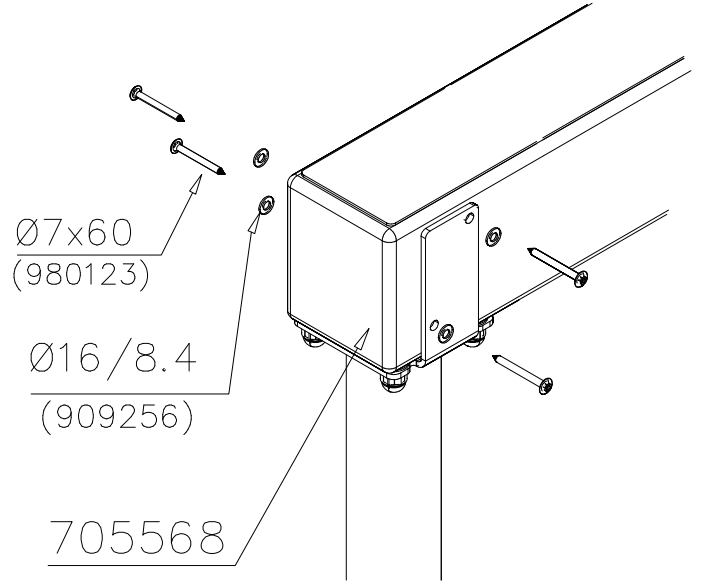
DET 36



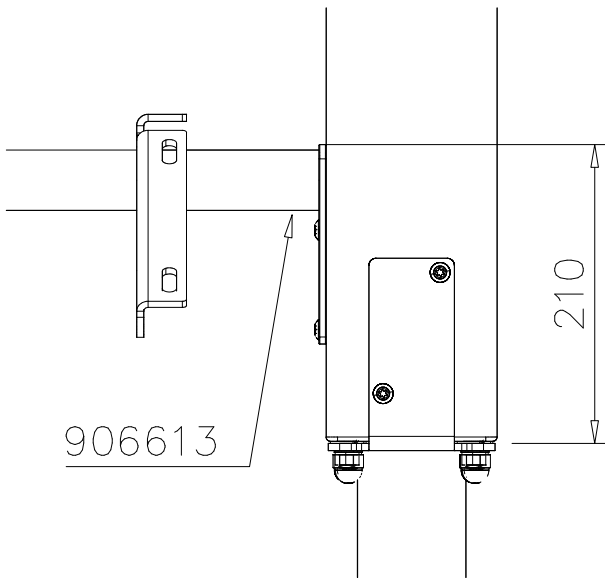
DET 37



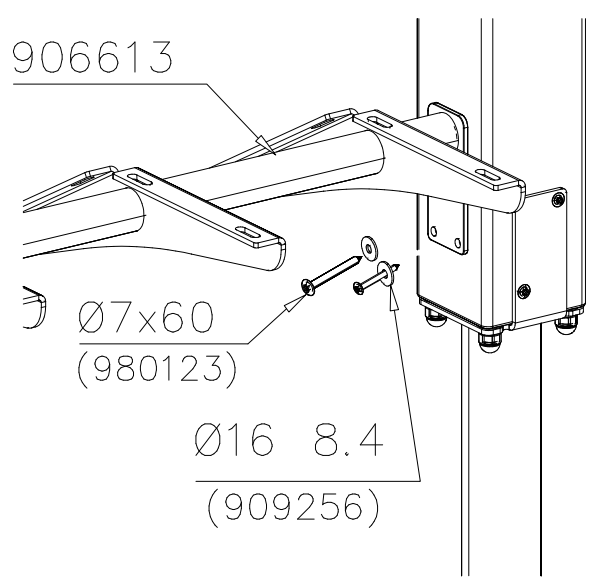
DET 38



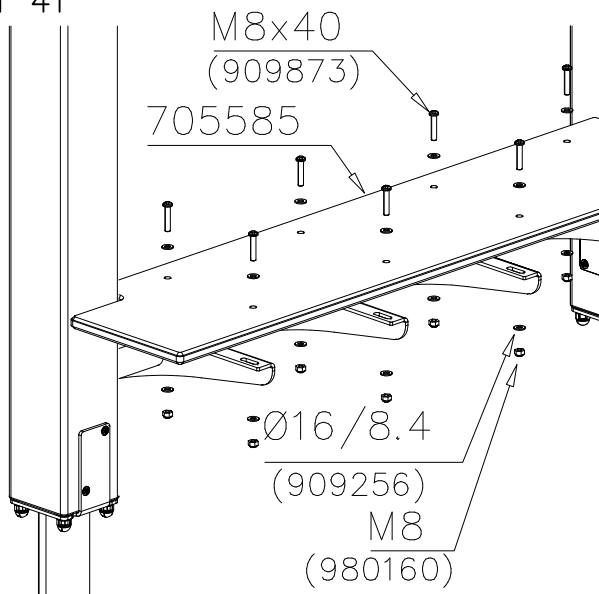
DET 39



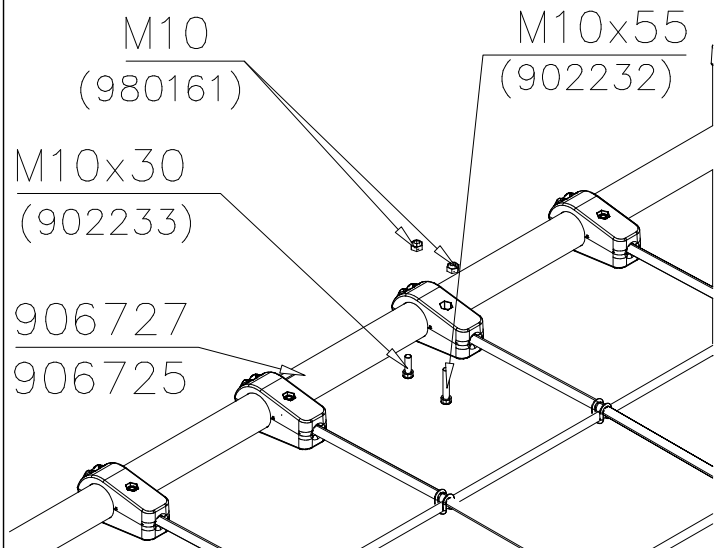
DET 40

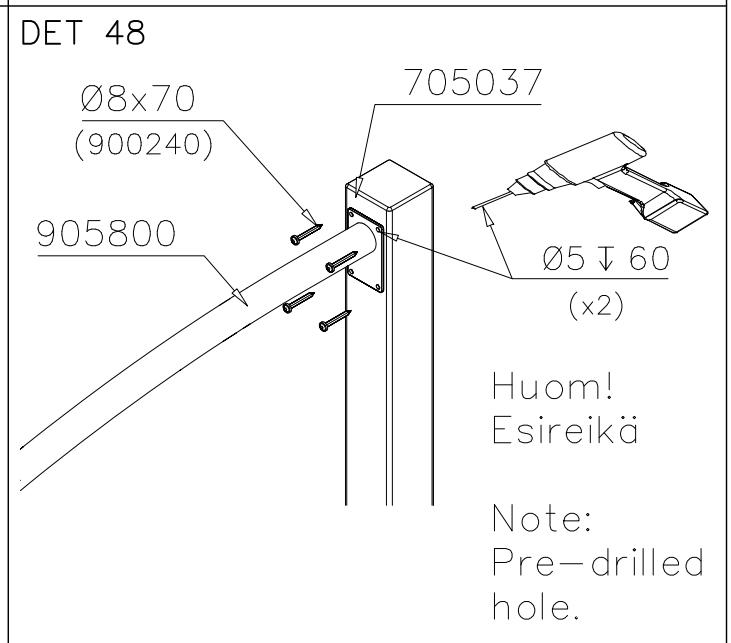
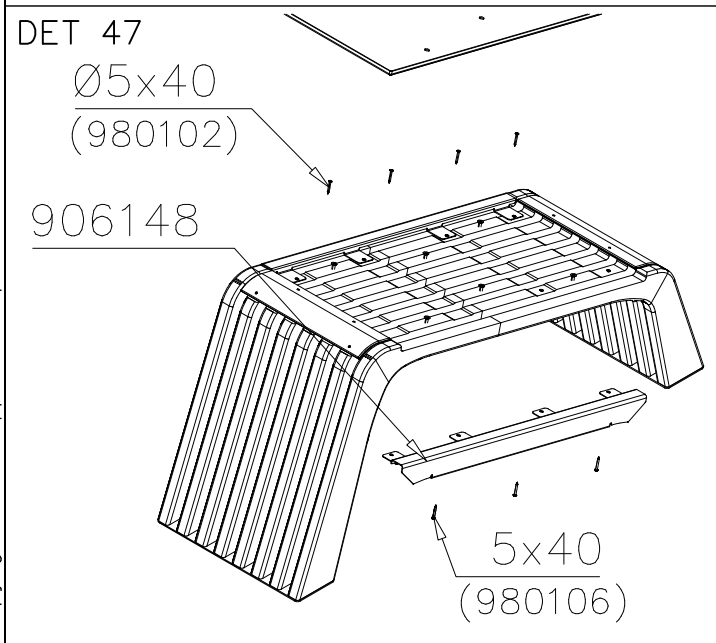
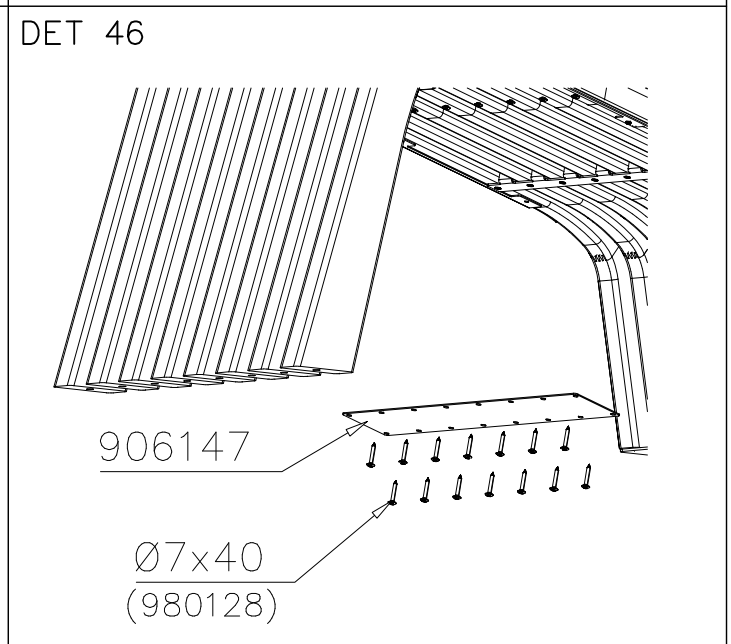
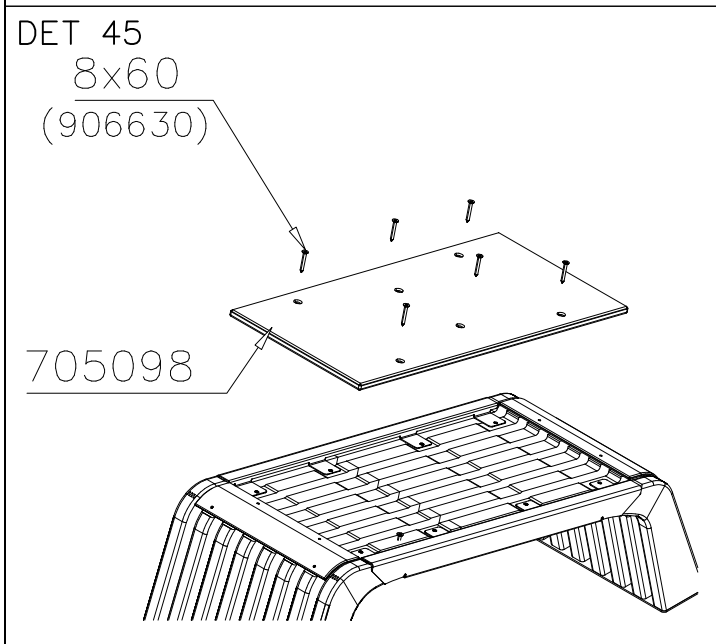
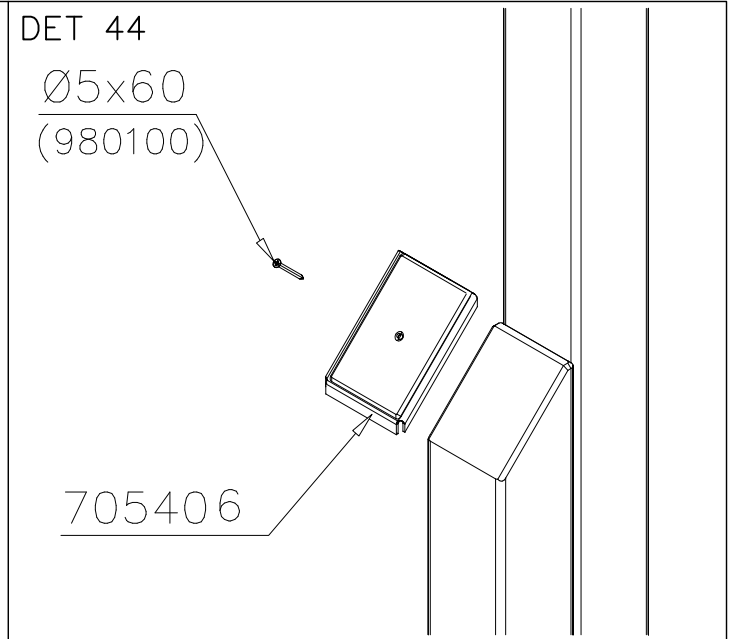
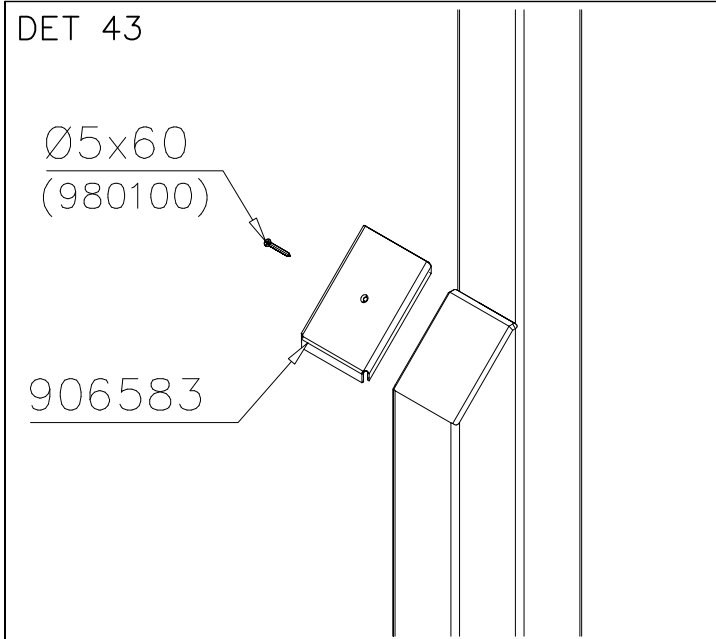


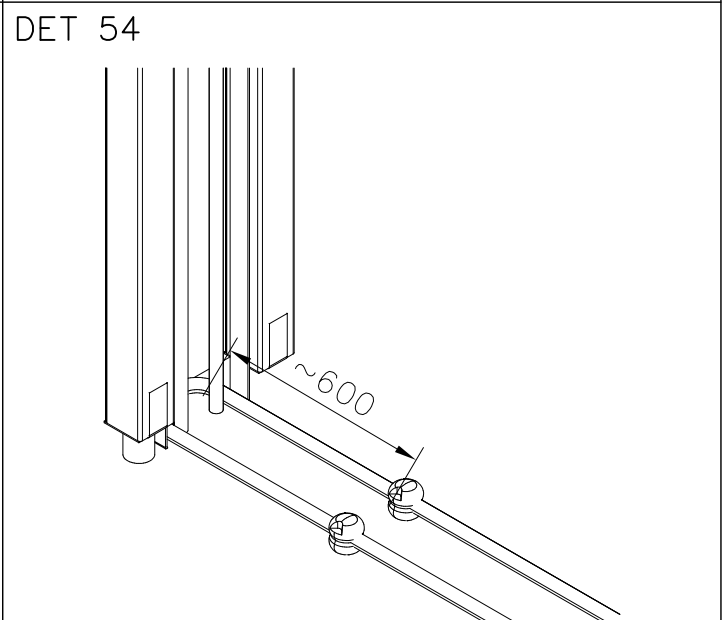
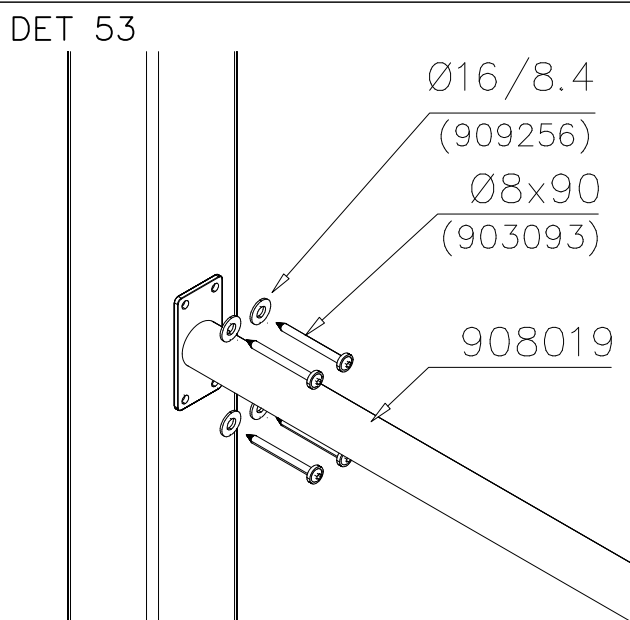
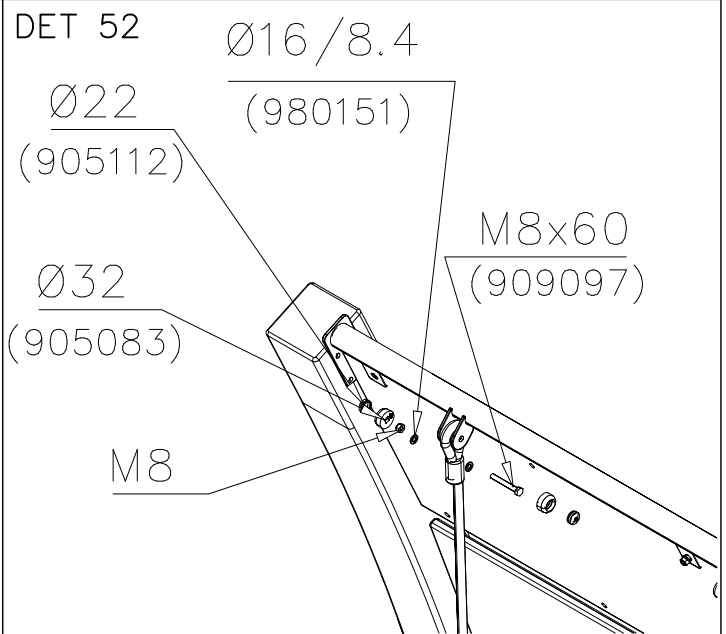
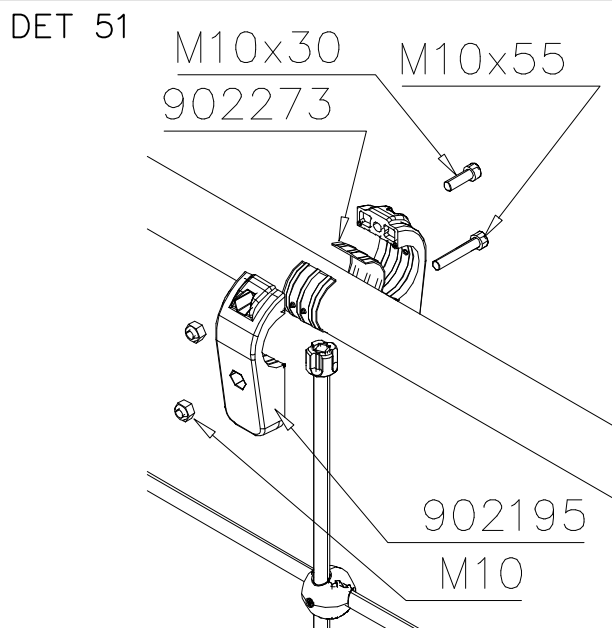
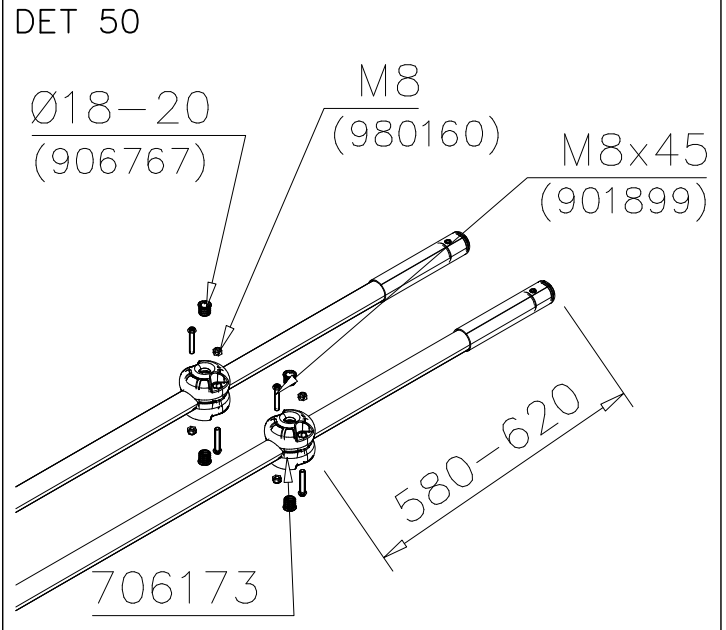
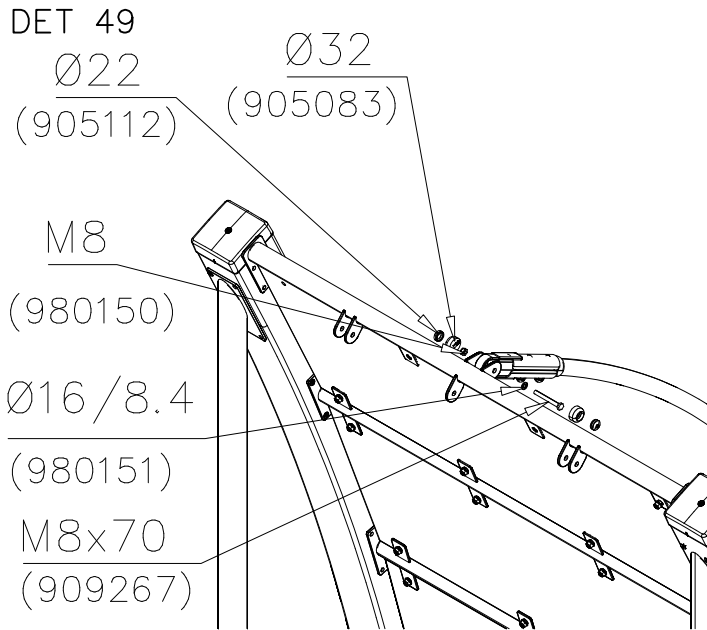
DET 41



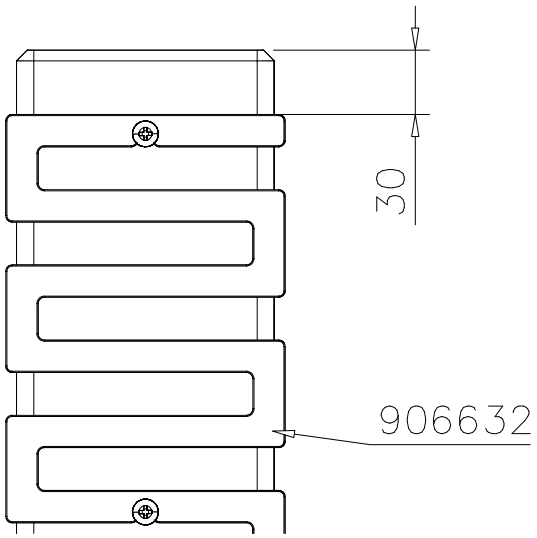
DET 42



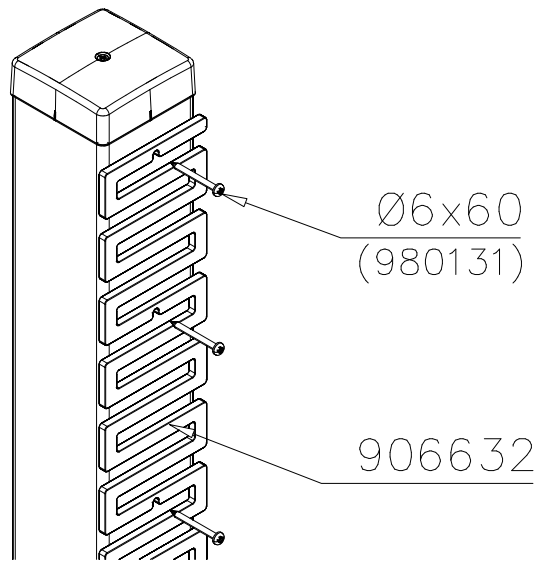




DET 55



DET 56



DET 57

DET 58

DET 59

DET 60