

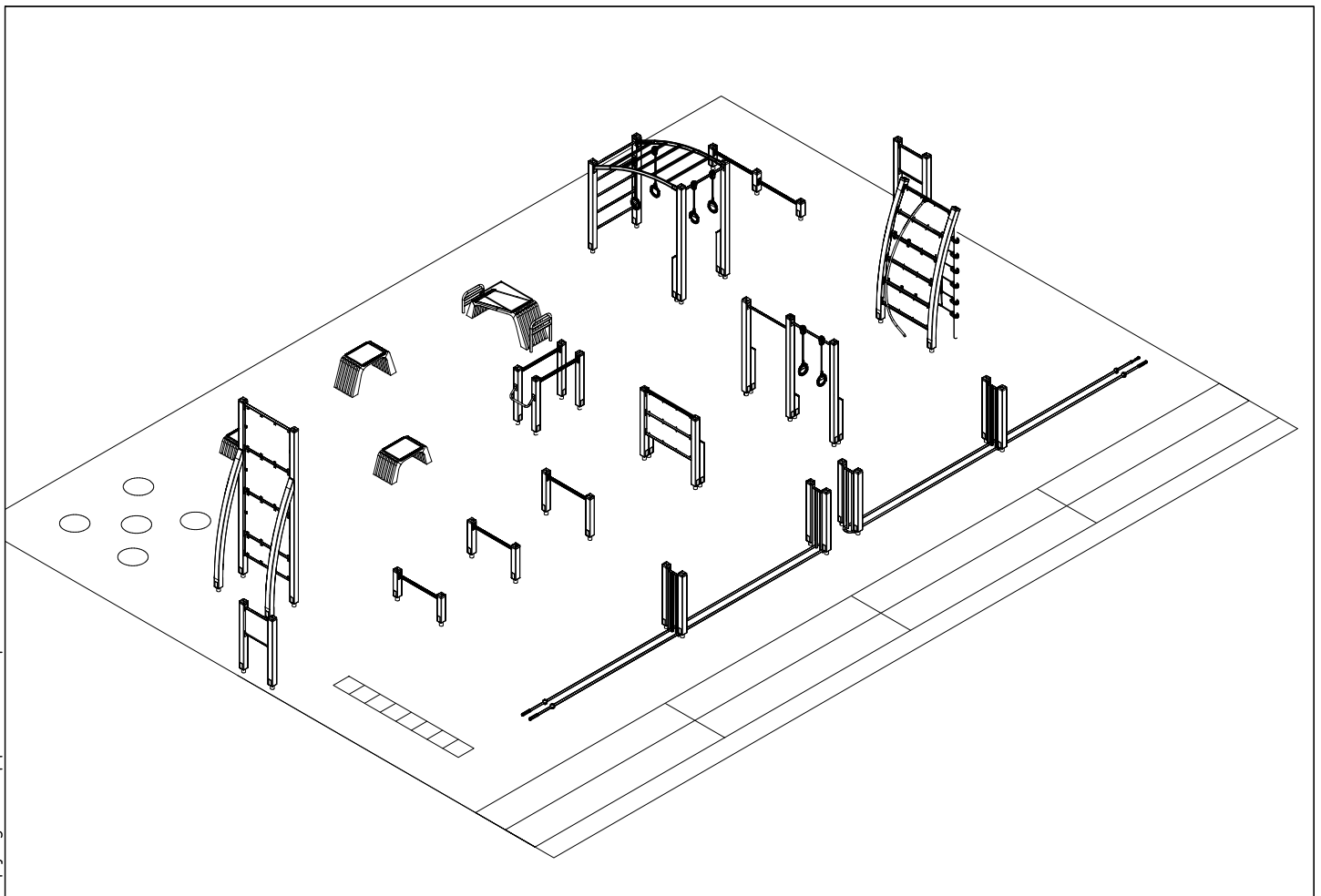
LAPPSET®

SPORT

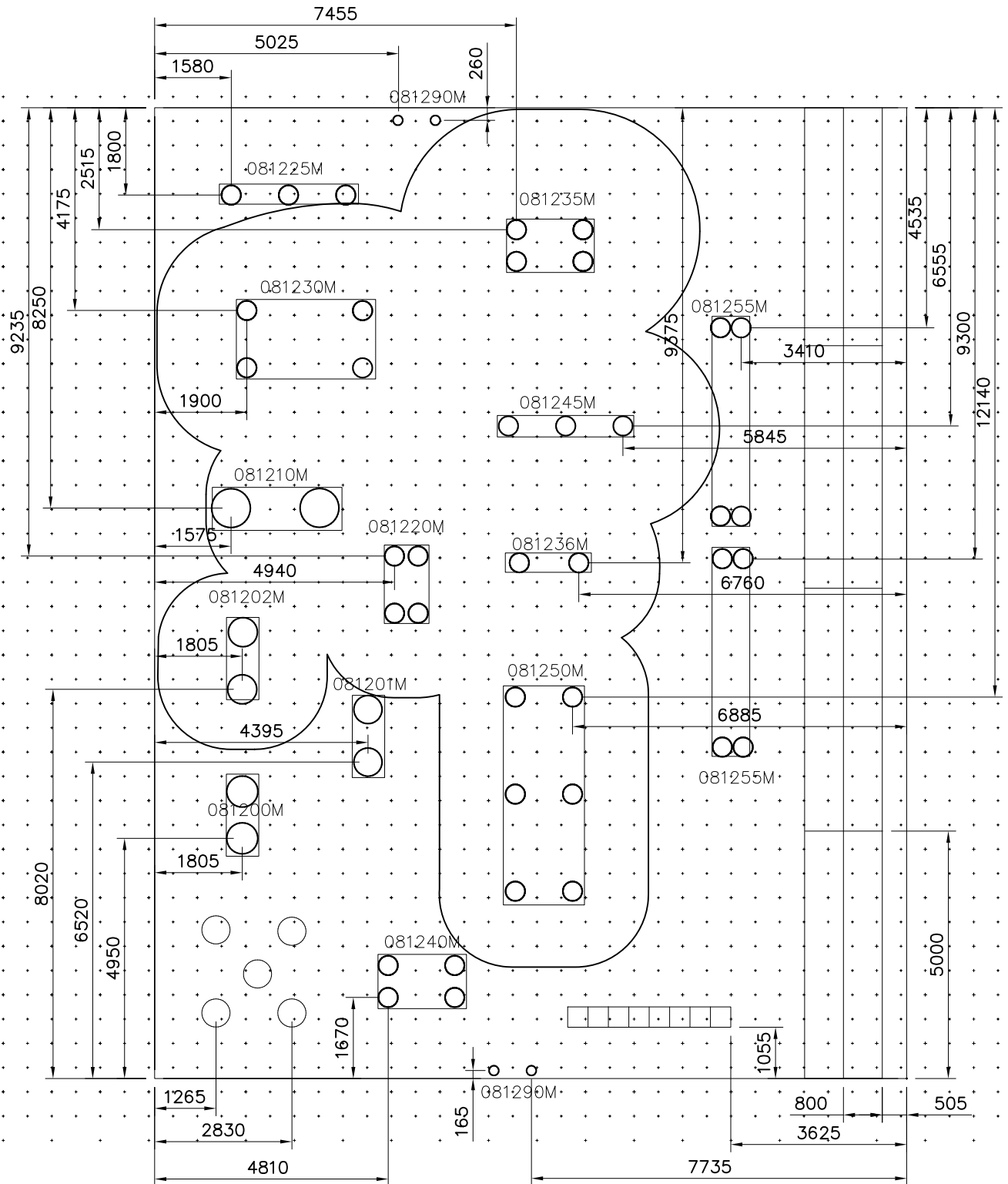
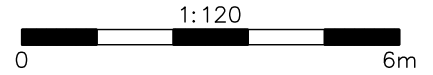
ASENNUSOHJE
MONTERINGSANSVISNING
INSTALLATION INSTRUCTION
AUFBAUANLEITUNG
NOTICE D'INSTALLATION

DATE: 22.10.2015

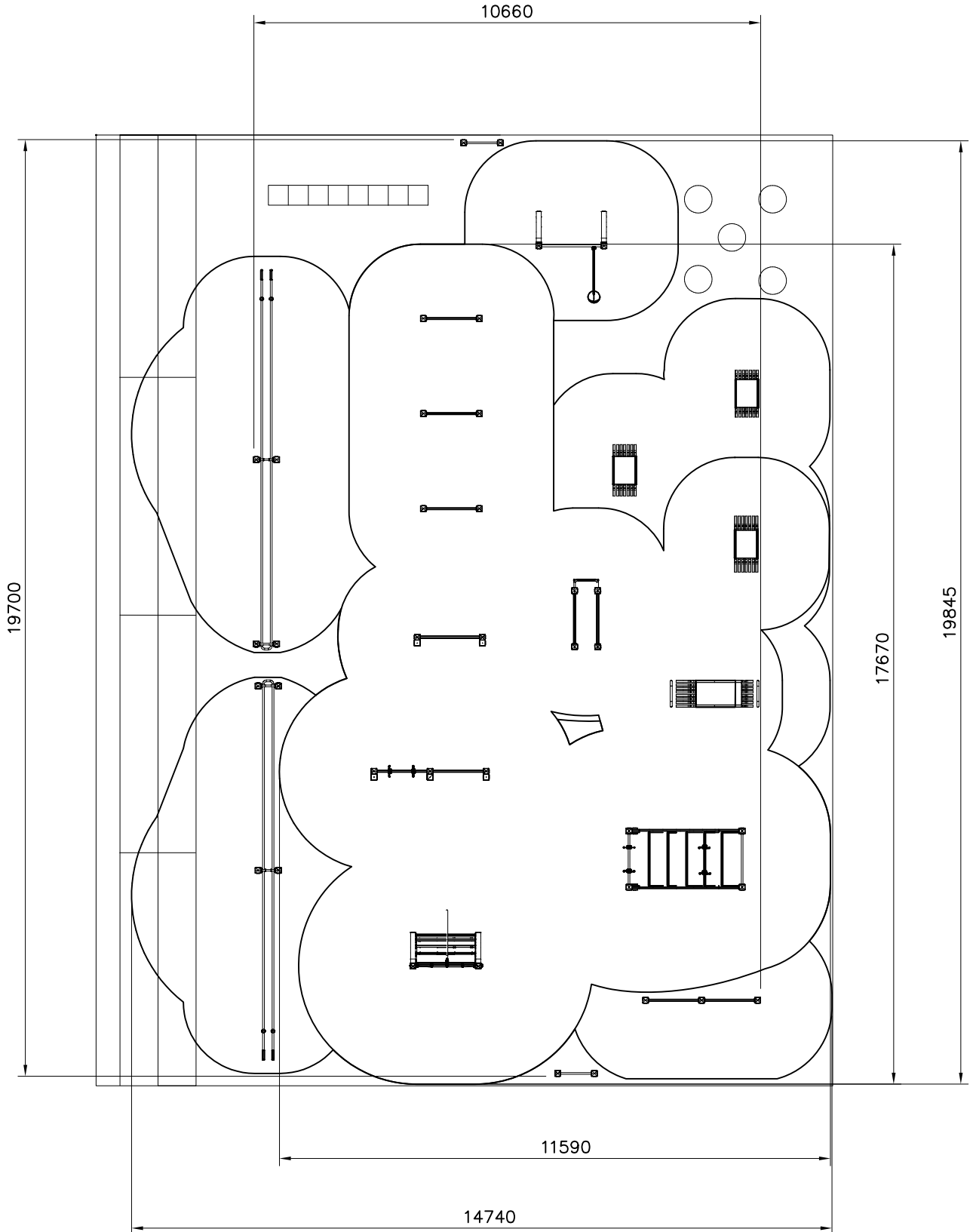
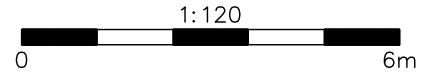
081331M

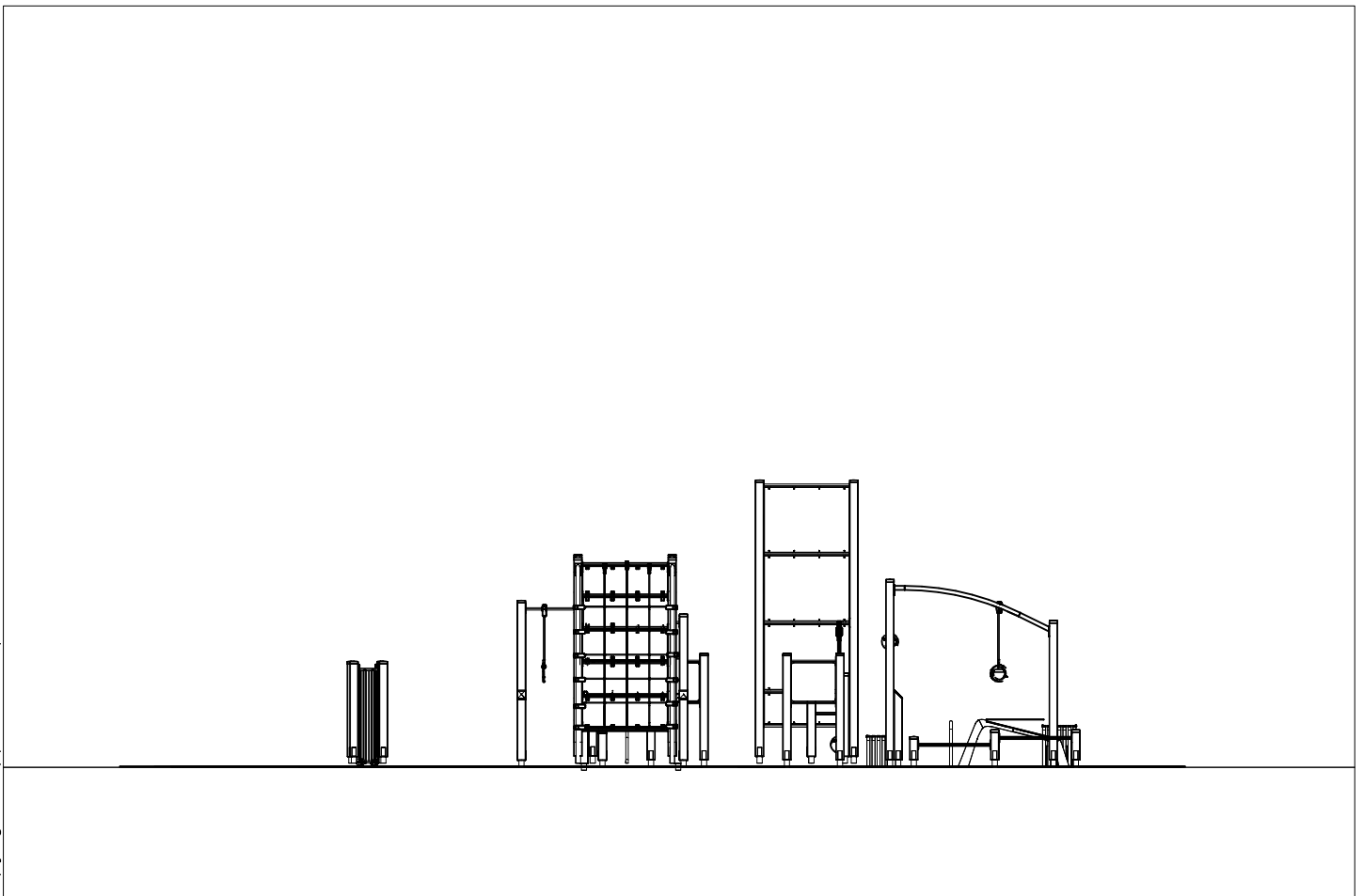
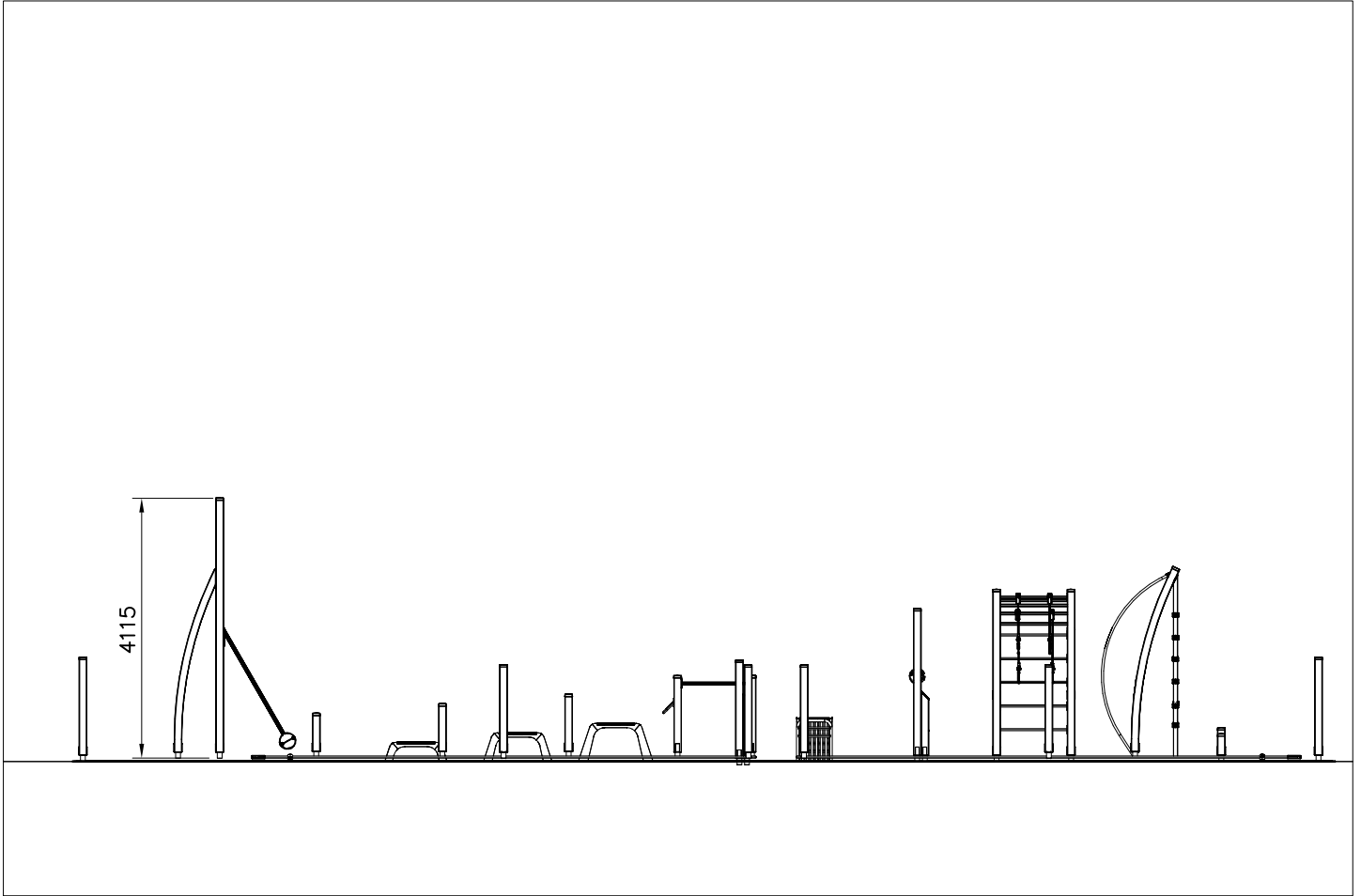


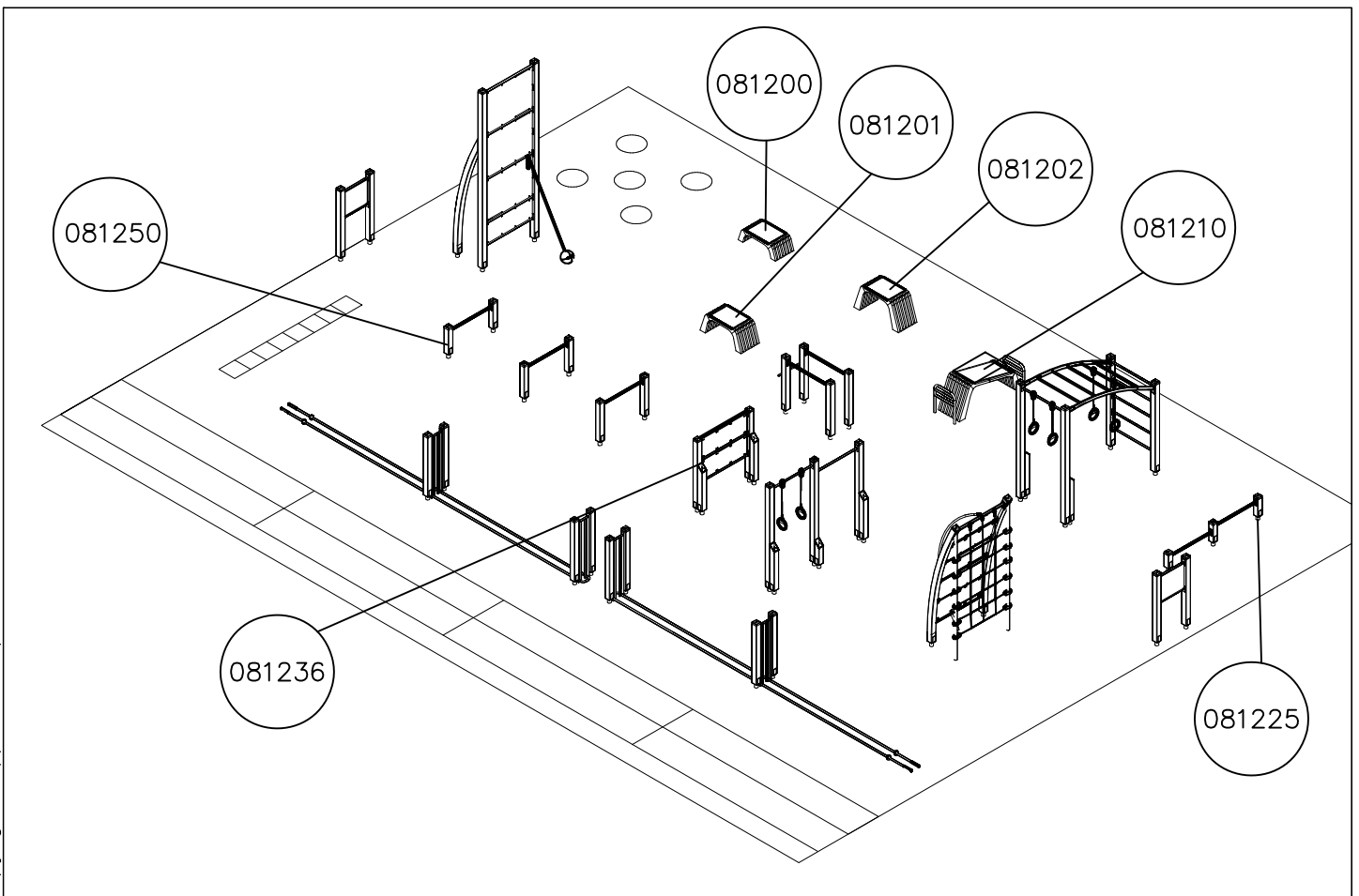
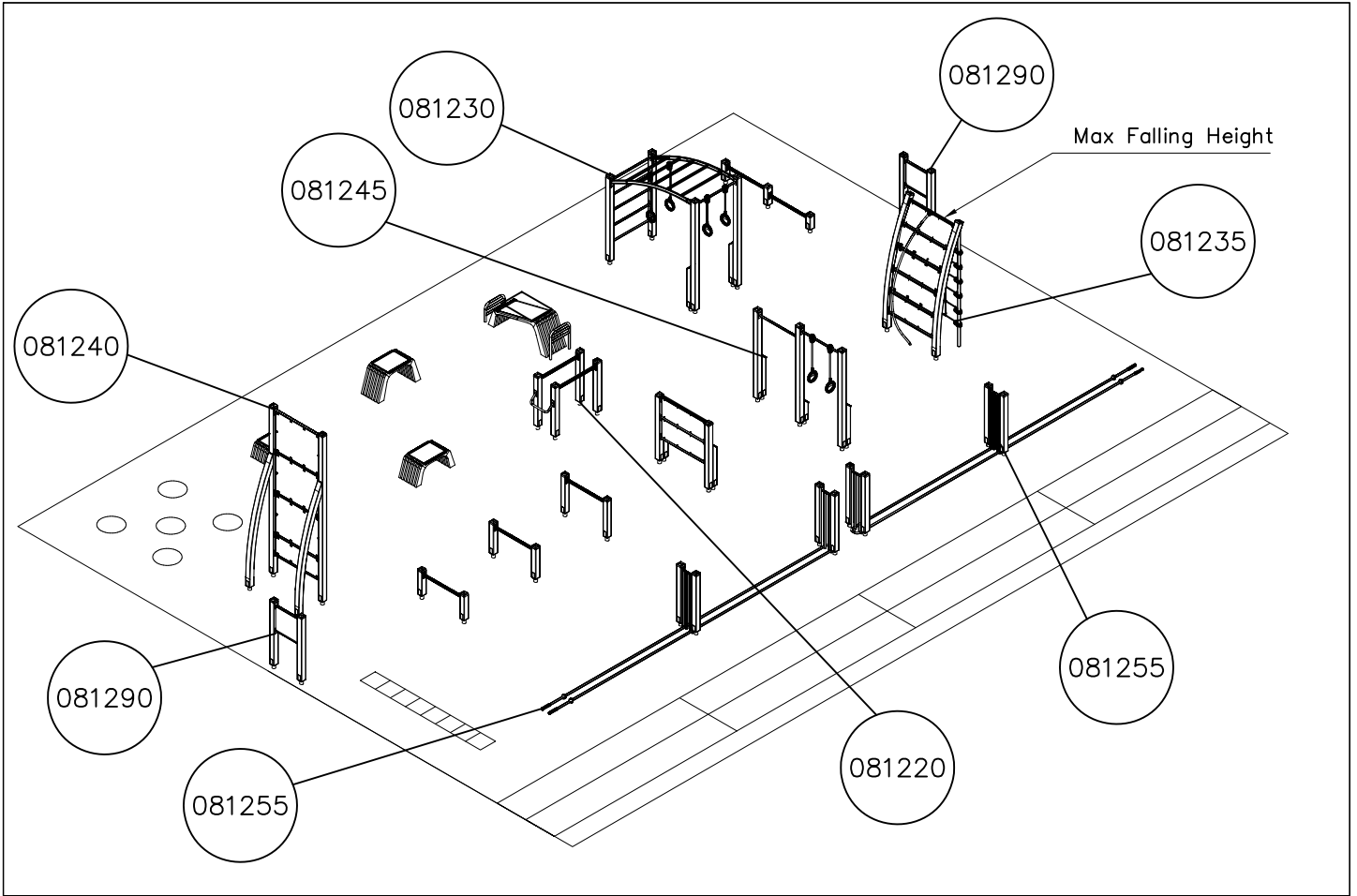
Impact Area 138.1 m²
Grid size = 500 mm

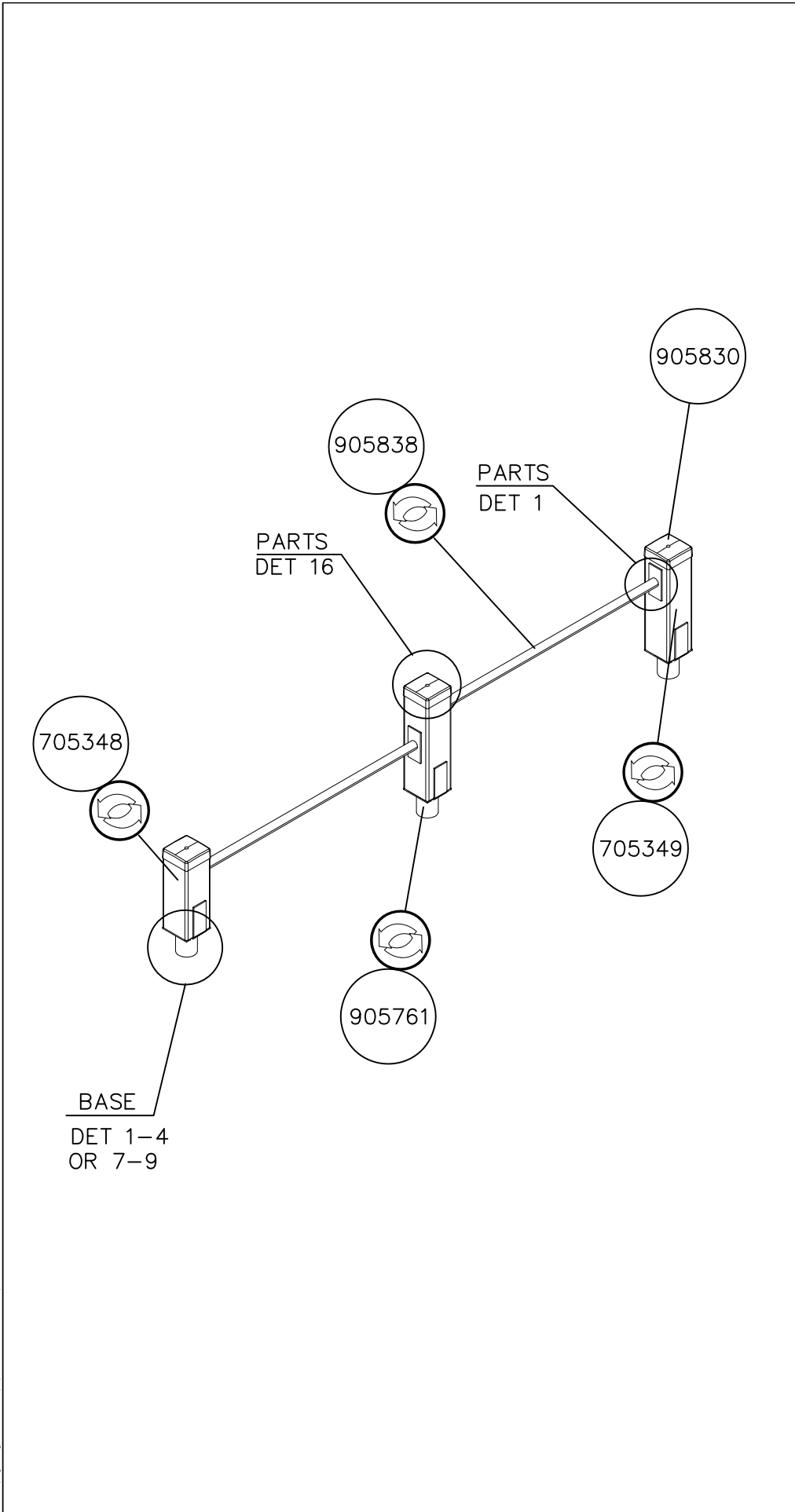


— Area of Movement 237 m²
— Impact Area 138.1 m²
Max Falling Height = 2960 mm

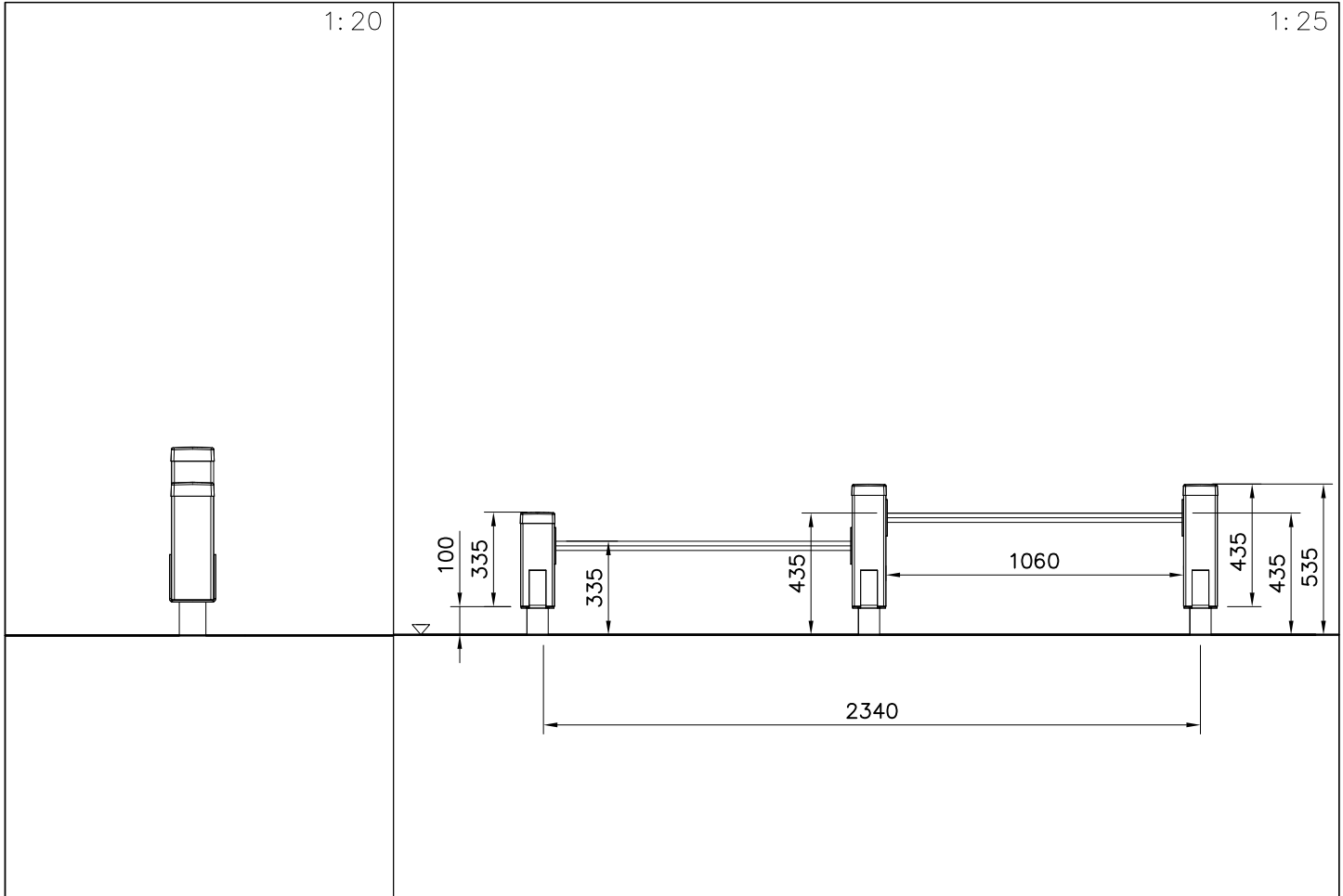






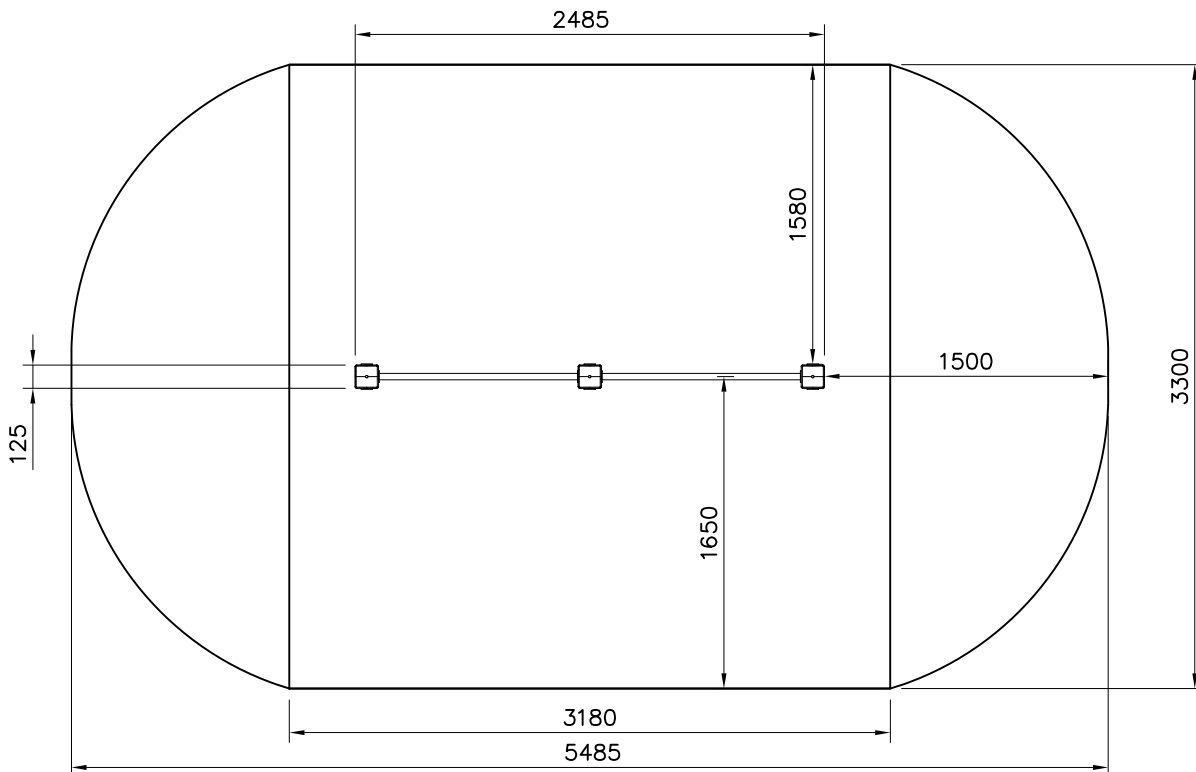


①	706025	PCS	②	705348	PCS
		1			1
				120x120x300	
③	705349	PCS	④	980114	PCS
		2			4
	120x120x400			Ø4x20	
⑤	980123	PCS	⑥	905104	PCS
		28			12
	Ø7x60			M10	
⑦	905761	PCS	⑧	905830	PCS
		3			3
	120x120x700			123x123x40	
⑨	905838	PCS	⑩	980104	PCS
		2			3
	L=1060			Ø5x90	
⑪	909256	PCS			PCS
		28			
	Ø16/8.4				
		PCS			PCS
		PCS			PCS



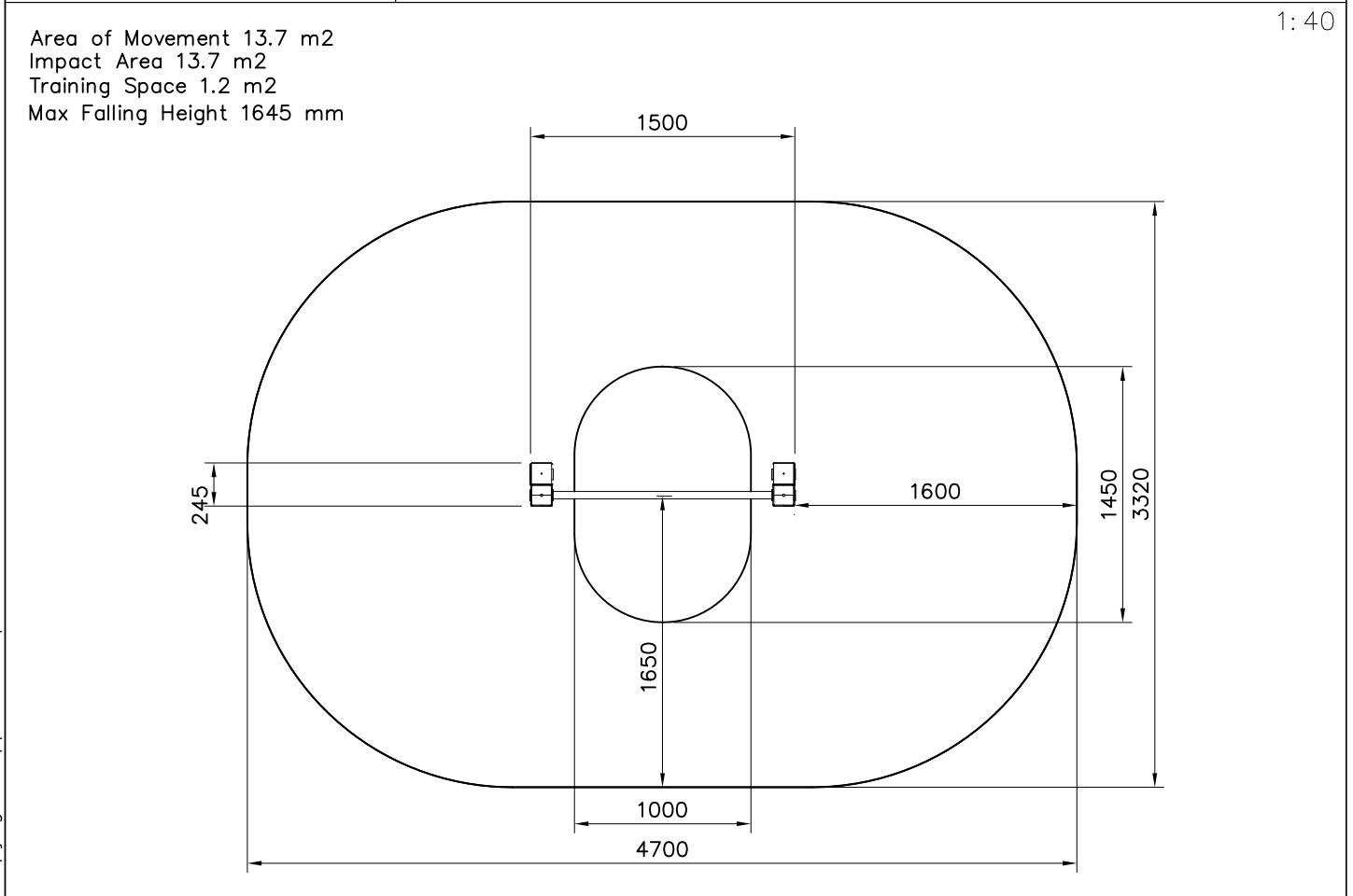
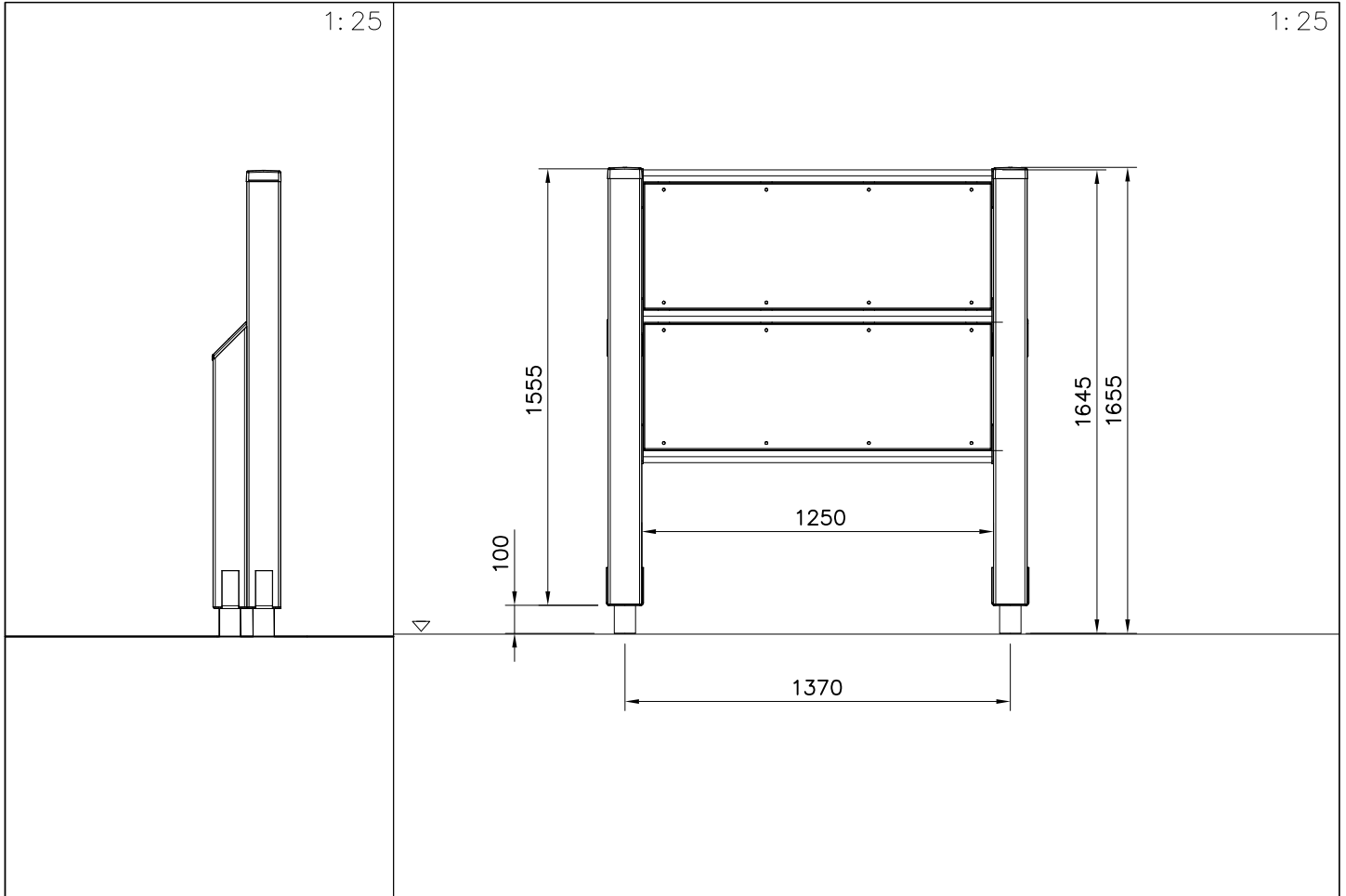
Area of Movement 16.2 m²
Training Space 10.5m²
Max Falling Height 435 mm

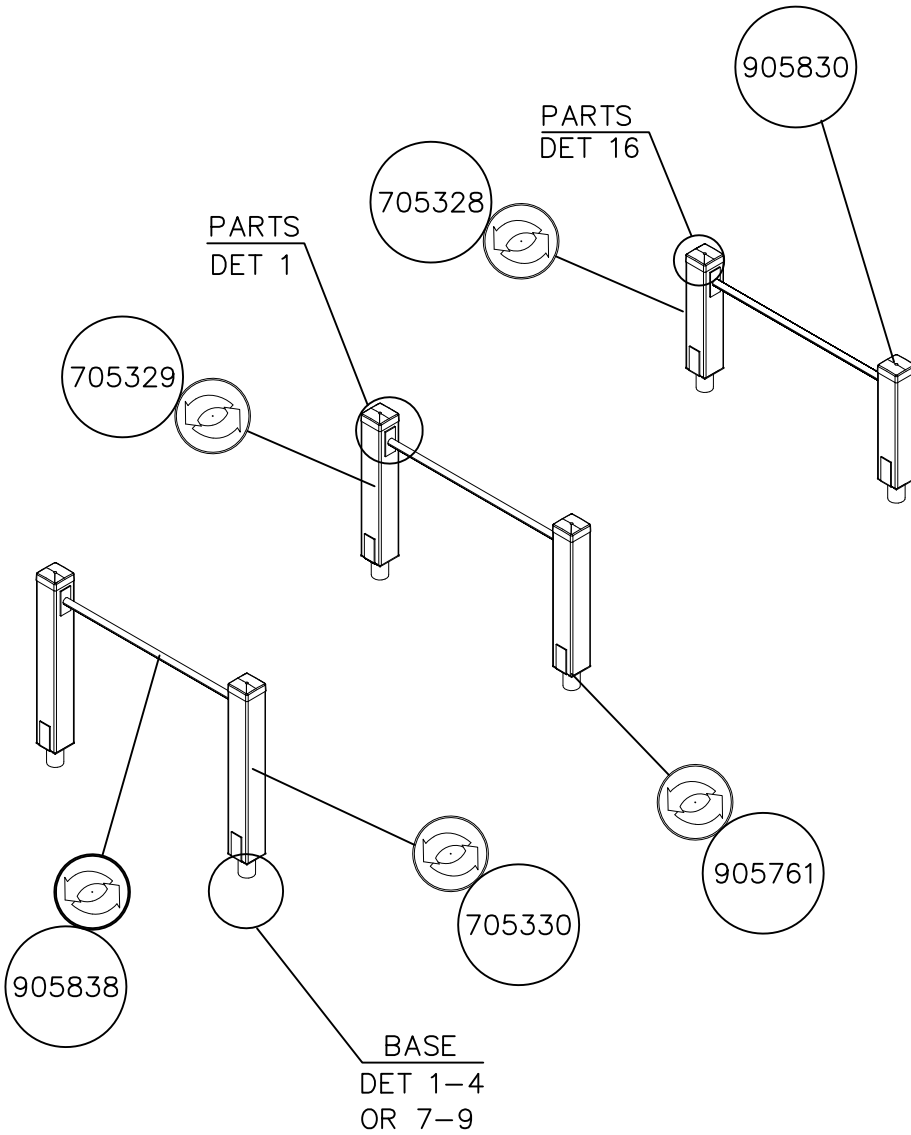
1: 40



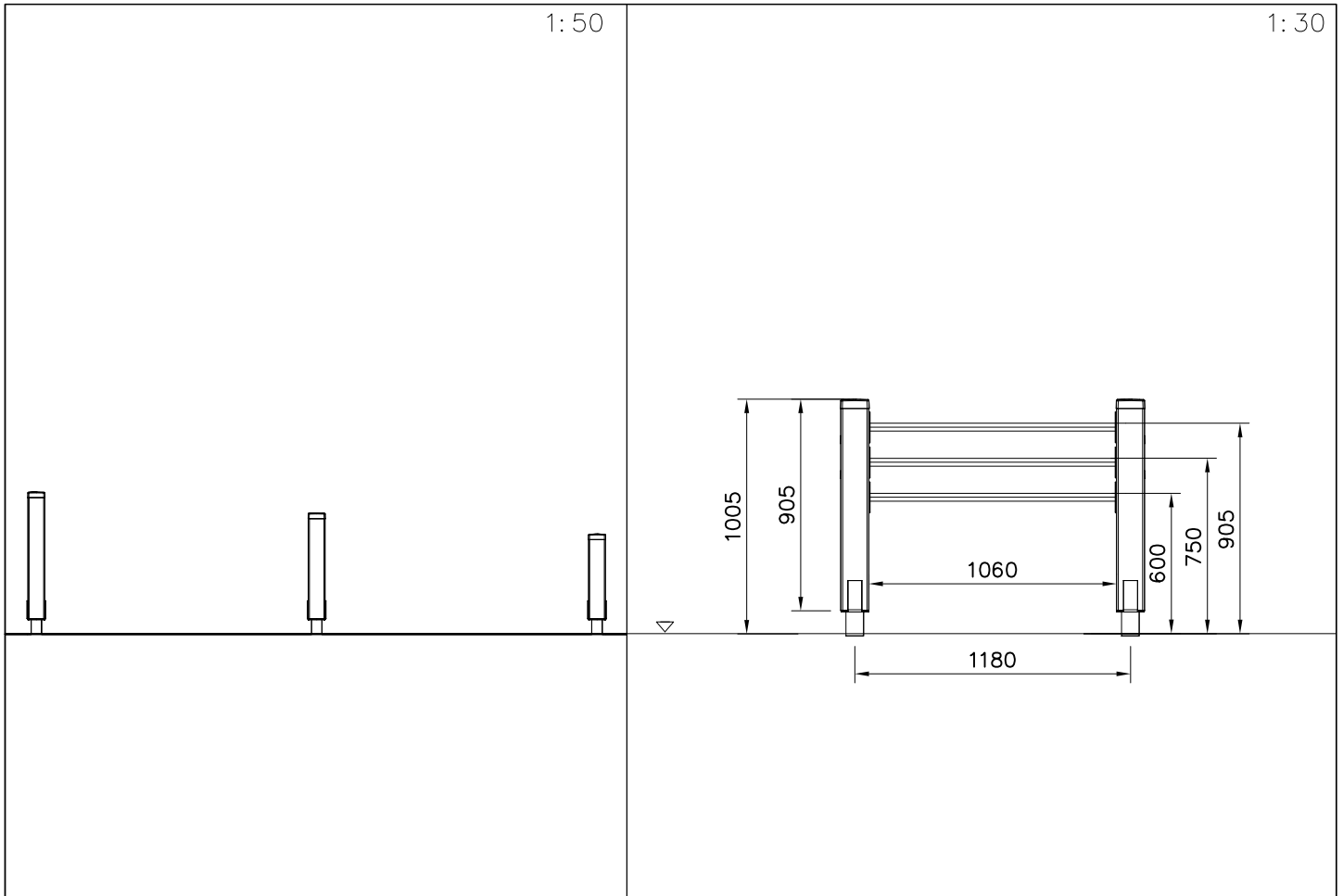


<p>PARTS DET 16</p> <p>PARTS DET 6,7</p> <p>PARTS DET 43</p> <p>PARTS DET 8</p> <p>BASE DET 10-12 OR 13-16</p>	<p>① 706028 PCS 1</p>	<p>② 705041 PCS 2</p> <p>19x451x1240</p>
	<p>③ 705027 PCS 2</p> <p>120x120x1520</p>	<p>④ 705335 PCS 2</p> <p>120x120x1000</p>
	<p>⑤ 980114 PCS 4</p> <p>Ø4x20</p>	<p>⑥ 905103 PCS 6</p> <p>PT-28/32-H</p>
	<p>⑦ 905104 PCS 16</p> <p>M10</p>	<p>⑧ 905830 PCS 2</p> <p>123x123x40</p>
	<p>⑨ 906009 PCS 2</p> <p>Ø42,4x1252</p>	<p>⑩ 906021 PCS 1</p> <p>Ø42,4x1252</p>
	<p>⑪ 905761 PCS 4</p> <p>120x120x700</p>	<p>⑫ 906583 PCS 2</p> <p>126x181x14x3</p>
	<p>⑬ 909246 PCS 6</p> <p>M12x140</p>	<p>⑭ 909633 PCS 16</p> <p>M8</p>
	<p>⑮ 909852 PCS 16</p> <p>M8x30</p>	<p>⑯ 980100 PCS 2</p> <p>Ø5x60</p>
	<p>⑰ 980104 PCS 2</p> <p>Ø5x90</p>	<p>⑱ 980123 PCS 40</p> <p>Ø7x60</p>
	<p>⑲ 980152 PCS 16</p> <p>Ø24/8.4x2</p>	<p>⑳ 980154 PCS 6</p> <p>Ø24/13</p>
<p>㉑ 909256 PCS 40</p> <p>Ø16/8.4</p>		



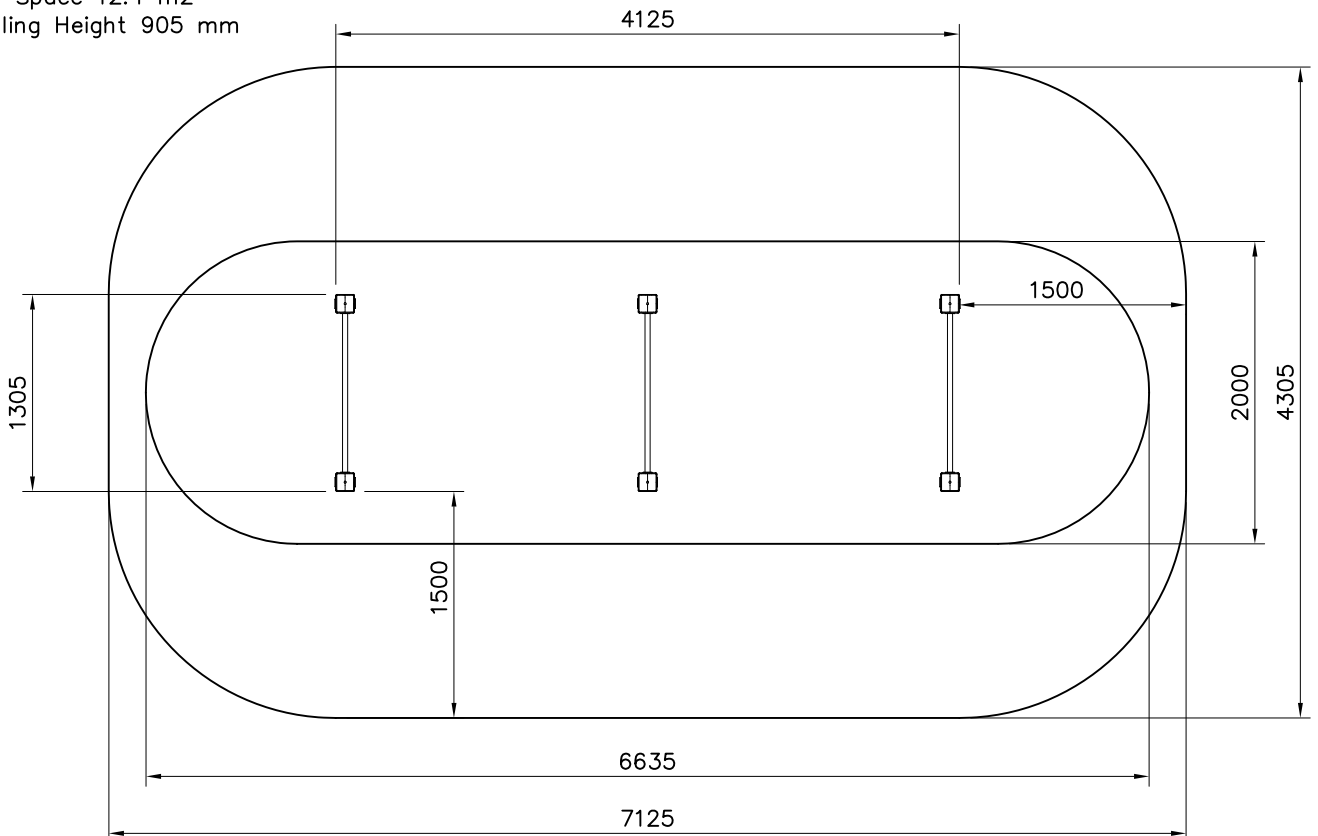


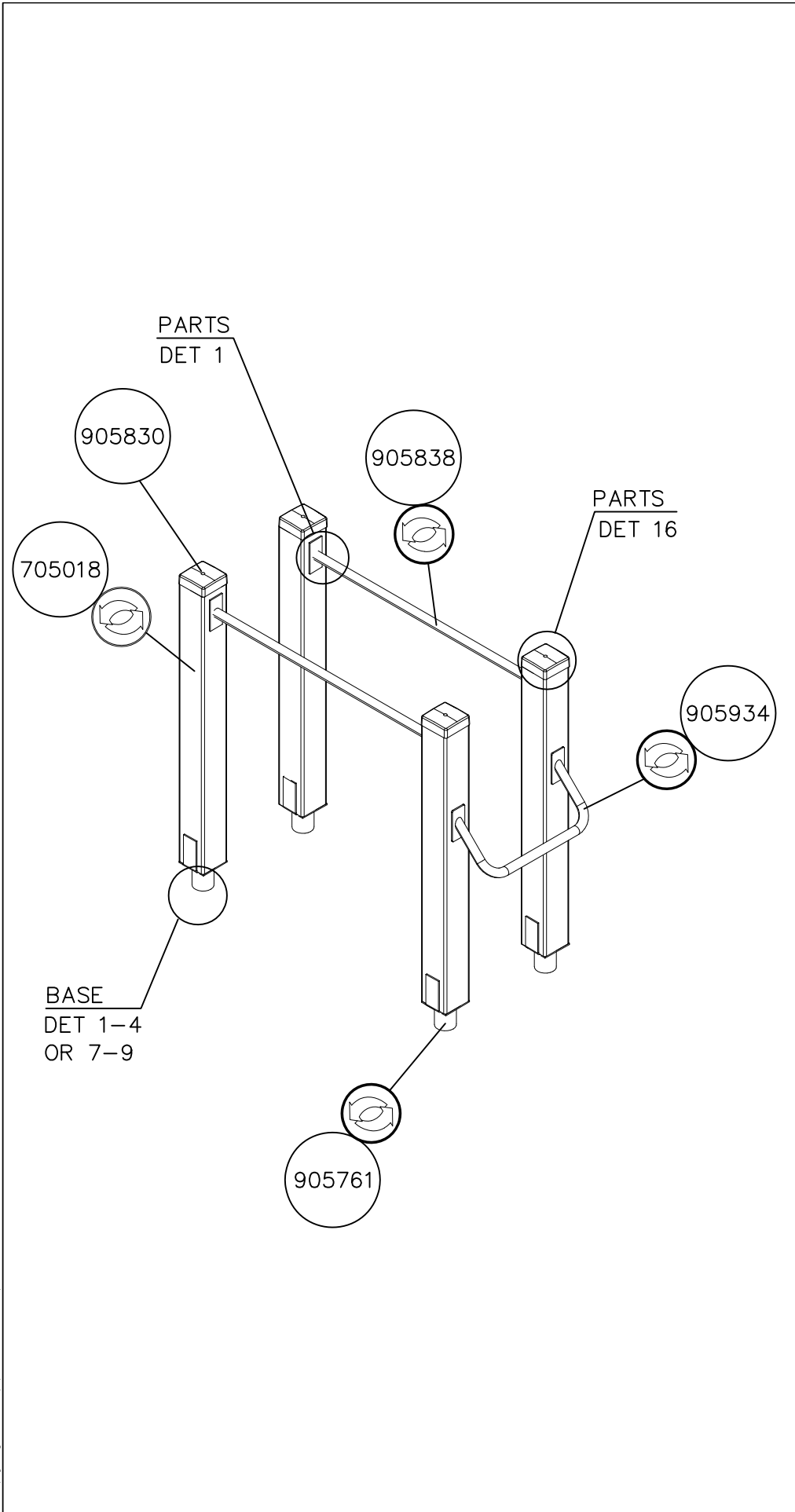
①	706031	PCS	②	705328	PCS
		1			2
				120x120x570	
③	705329	PCS	④	705330	PCS
		2			2
	120x120x720			120x120x870	
⑤	980114	PCS	⑥	905838	PCS
		4			3
	Ø4x20			L=1060	
⑦	905104	PCS	⑧	905761	PCS
		24			6
	M10			120x120x700	
⑨	905830	PCS	⑩	980104	PCS
		6			6
	123x123x40			Ø5x90	
⑪	980123	PCS	⑫	909256	PCS
		48			48
	Ø7x60			Ø16/8.4	
		PCS			PCS
		PCS			PCS

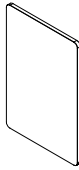




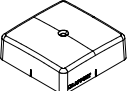
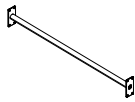
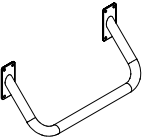

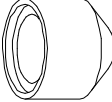



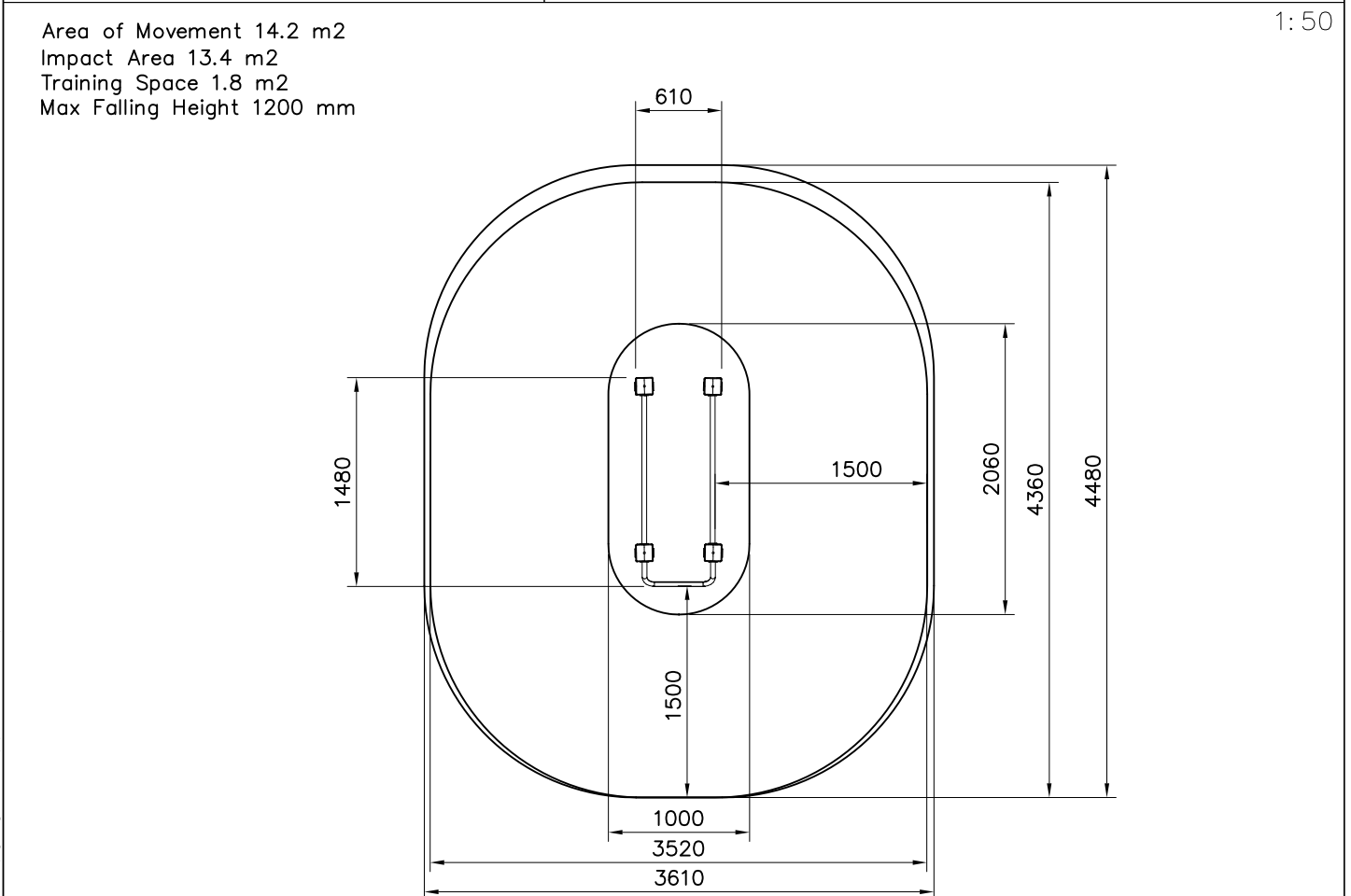
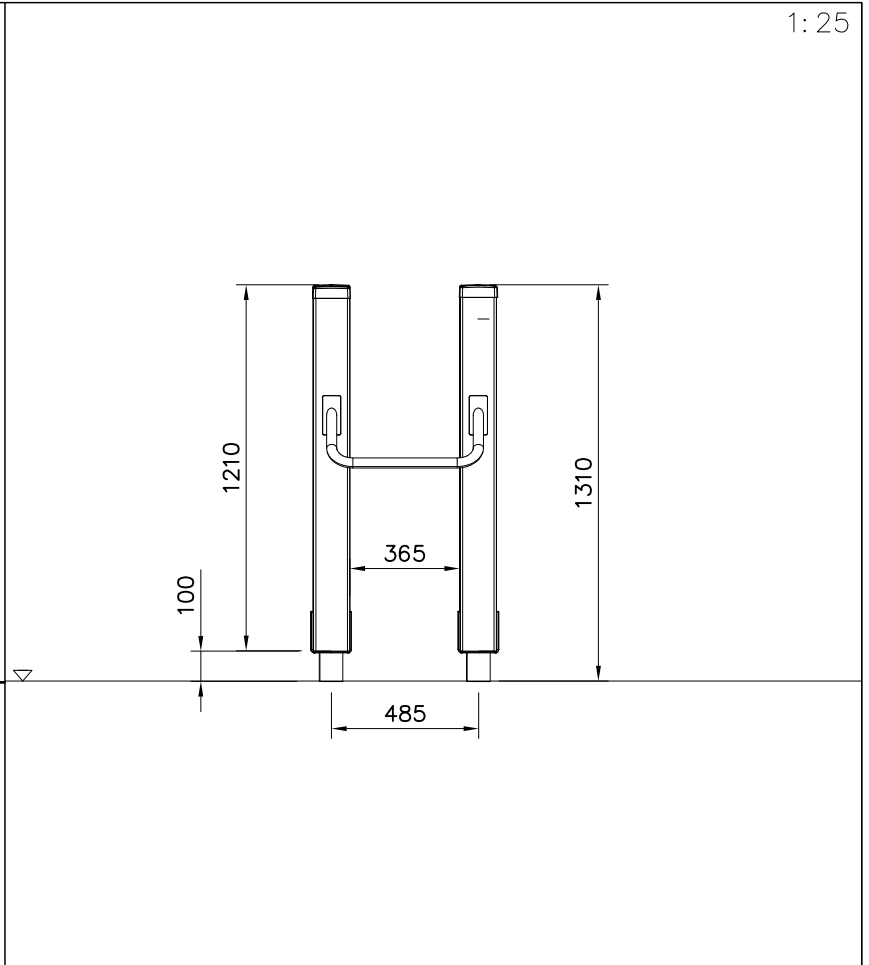
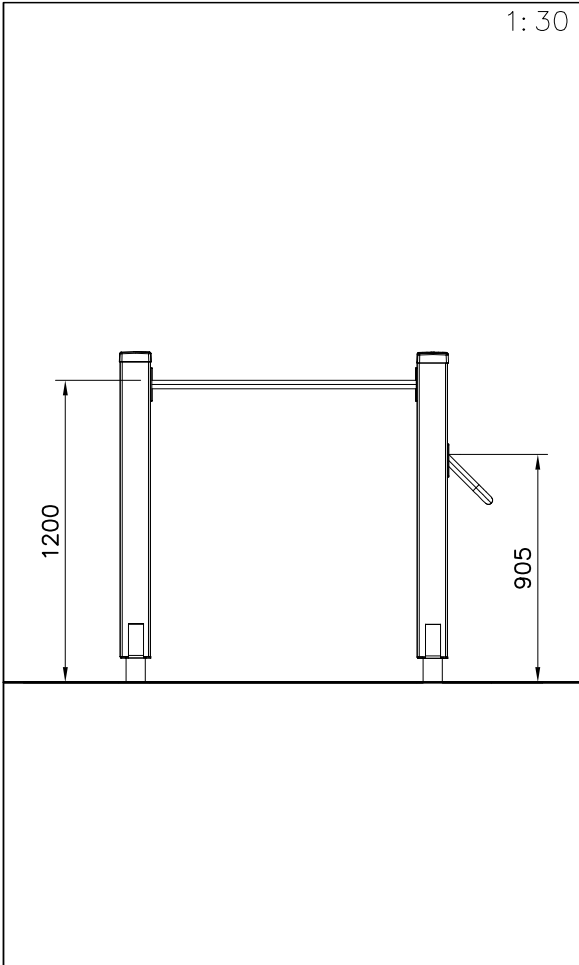
Area of Movement 28.7 m²
Impact Area 28.7 m²
Training Space 12.4 m²
Max Falling Height 905 mm

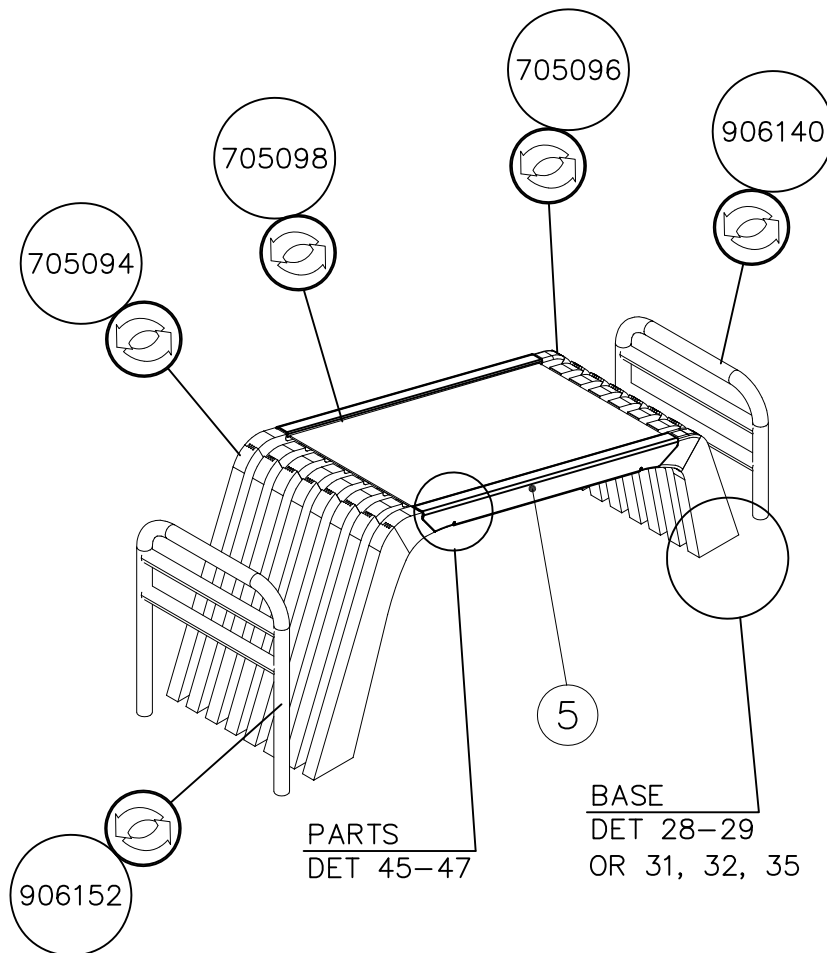
1: 50





①	706024	PCS	②	705018	PCS
		1			4
				120x120x1170	
③	980114	PCS	④	980123	PCS
		4			40
	Ø4x20			Ø7x60	
⑤	905761	PCS	⑥	905830	PCS
		4			4
	120x120x700			123x123x40	
⑦	905838	PCS	⑧	905934	PCS
		2			1
	L=1060			L=485	
⑨	980104	PCS	⑩	905104	PCS
		4			16
	Ø5x90			M10	
⑪	909256	PCS			PCS
		40			
	Ø16/8.4				
		PCS			PCS
		PCS			PCS

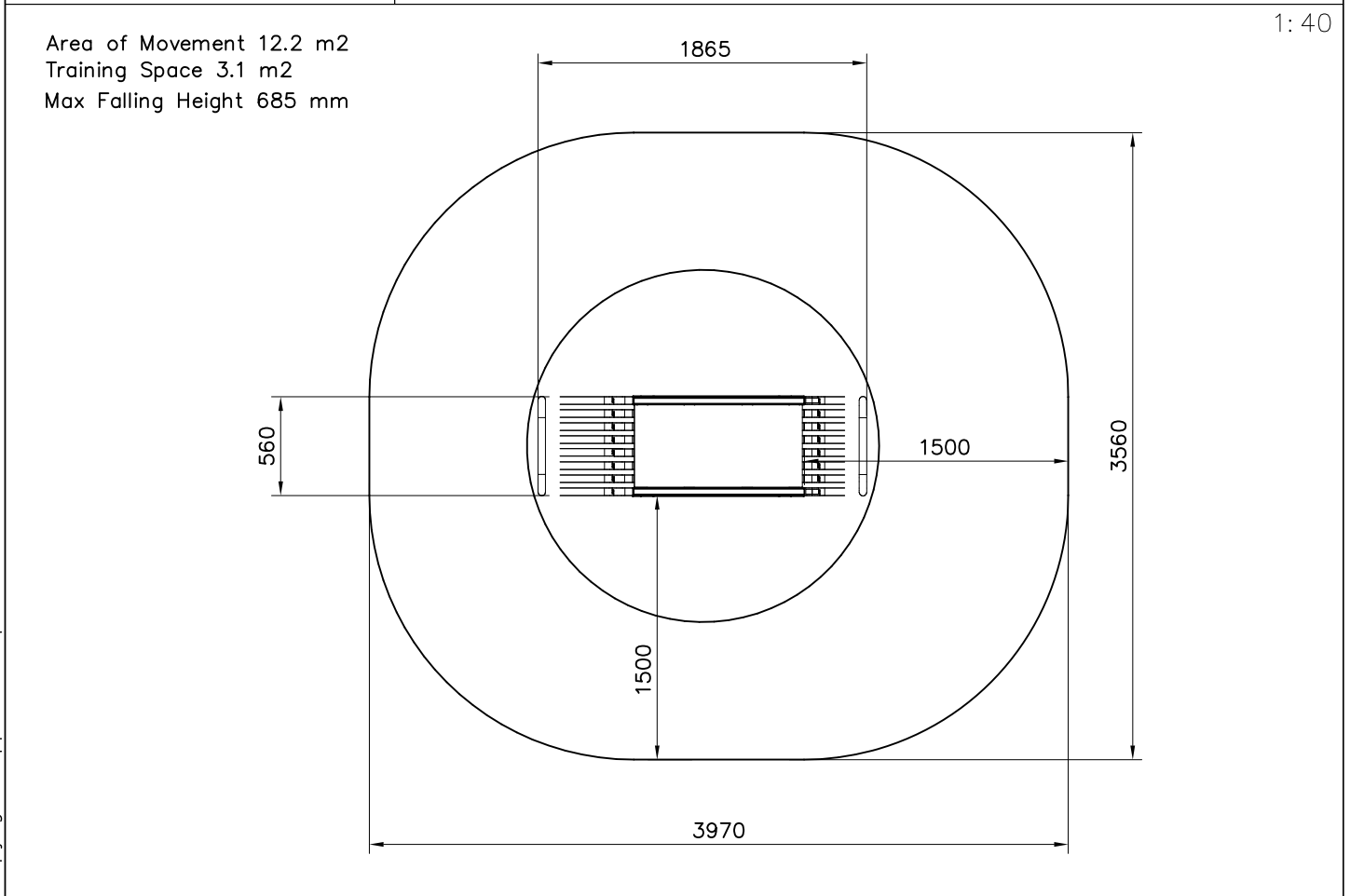
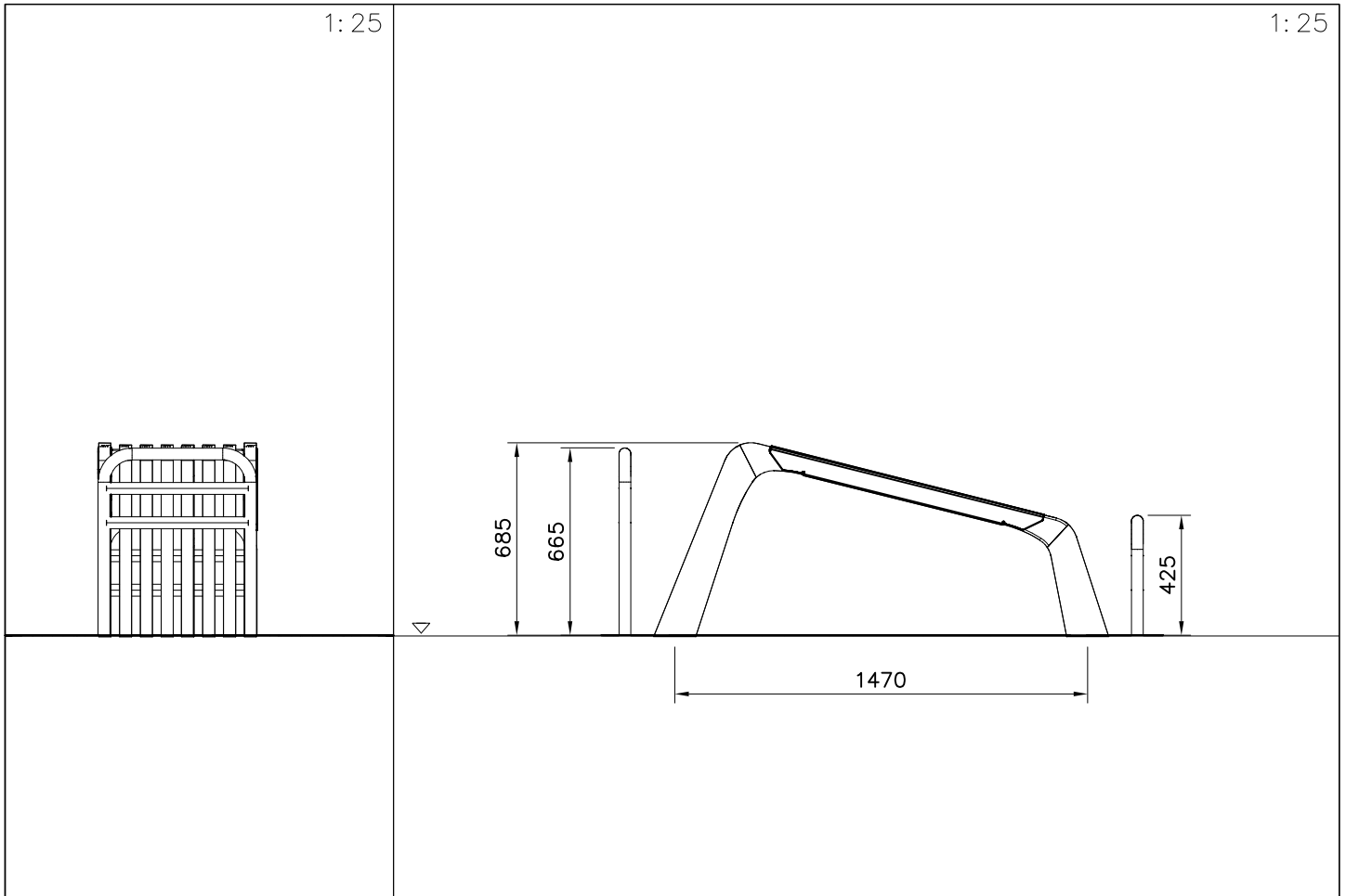


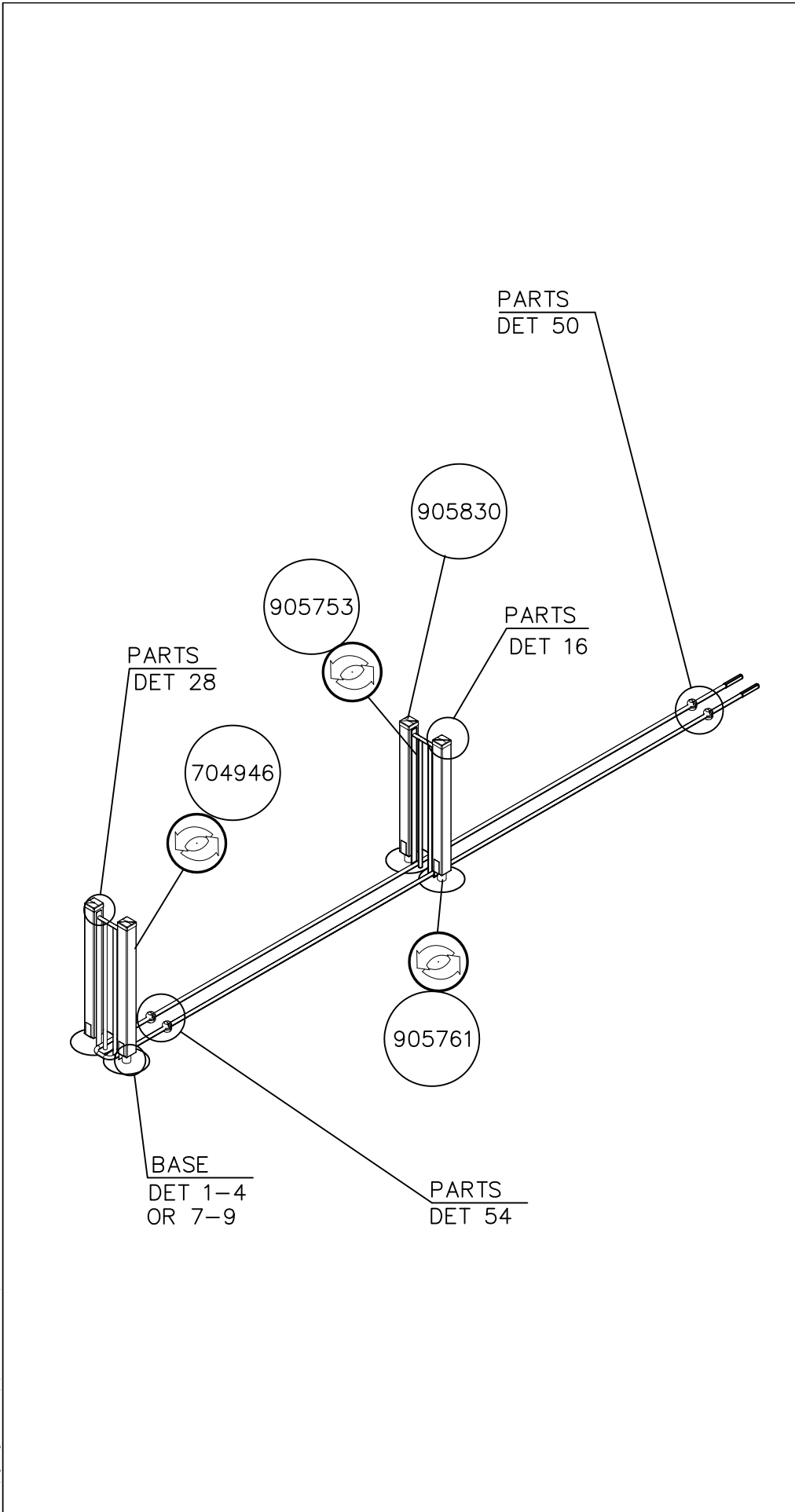


PARTS
DET 45-47

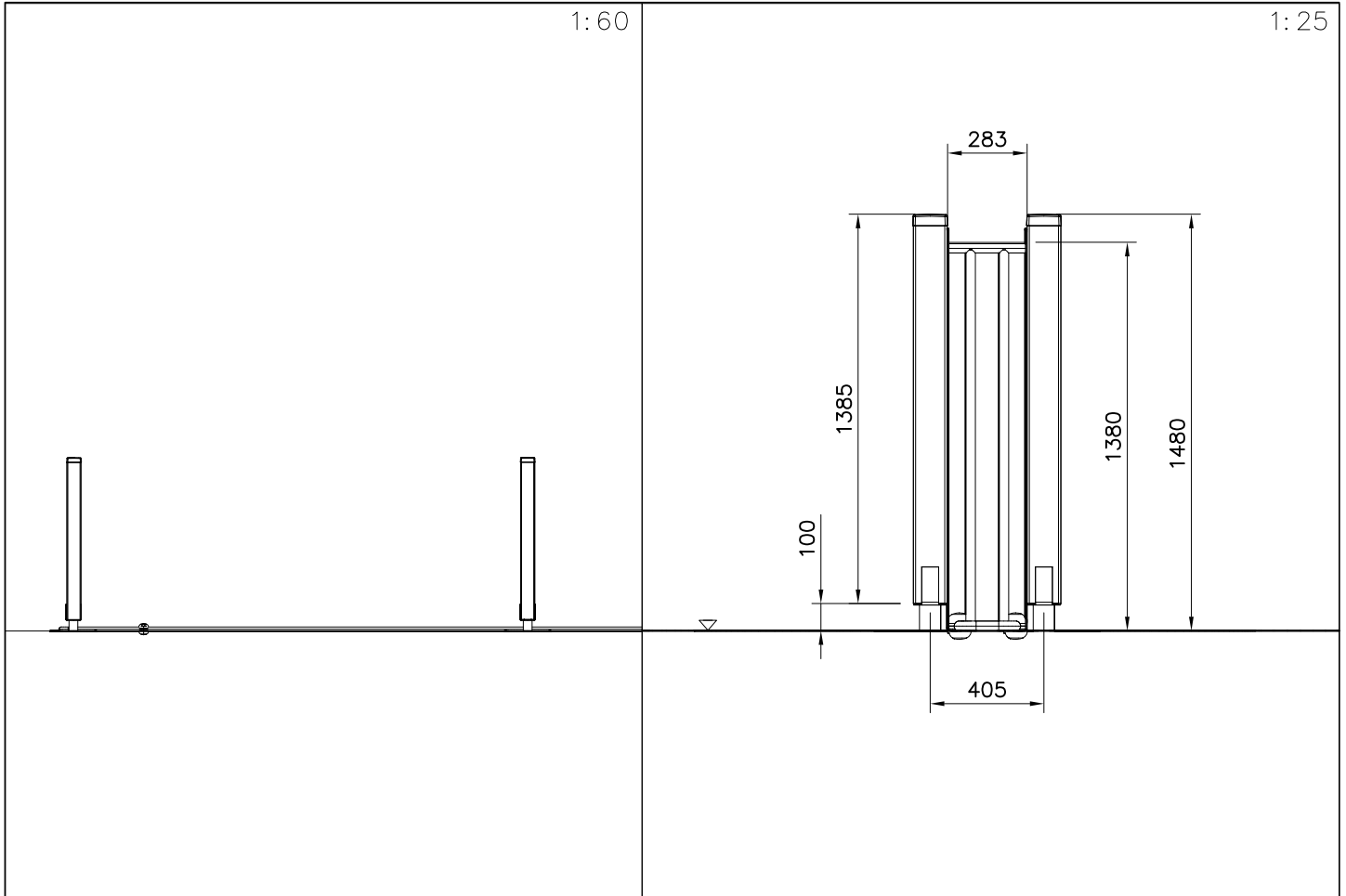
BASE
DET 28-29
OR 31, 32, 35

① 705094	PCS 1	② 705096	PCS 1
VATSA 700		VATSA 570	
③ 705098	PCS 1	④ 906147	PCS 1
16x471x1000		2x120x536	
⑤ 906148	PCS 2	⑥ 980102	PCS 8
2x1000		Ø5x40	
⑦ 980106	PCS 6	⑧ 980128	PCS 16
Ø5x40		Ø7x40	
⑨ 906140	PCS 1	⑩ 906152	PCS 1
565x480		565x720	
⑪ 706023	PCS 1	⑫ 980114	PCS 4
		Ø4x20	
⑬ 902272	PCS 4	⑭ 909519	PCS 4
90x90x450		50x380x380	
⑮ 909637	PCS 28		
M10			
⑯ 909638	PCS 56	⑰ 909639	PCS 28
Ø20/10,5		M10x25	
		⑱ 906630	PCS 6
		8x60	



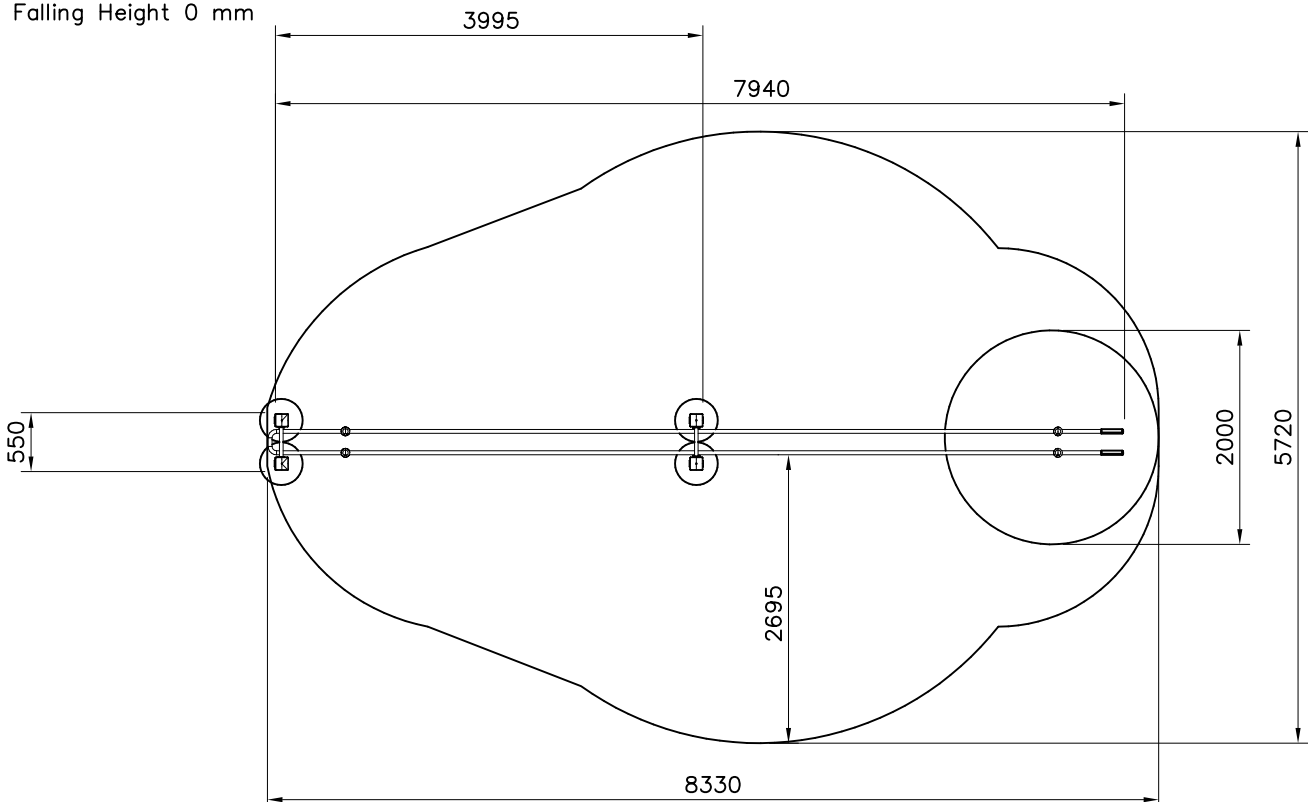


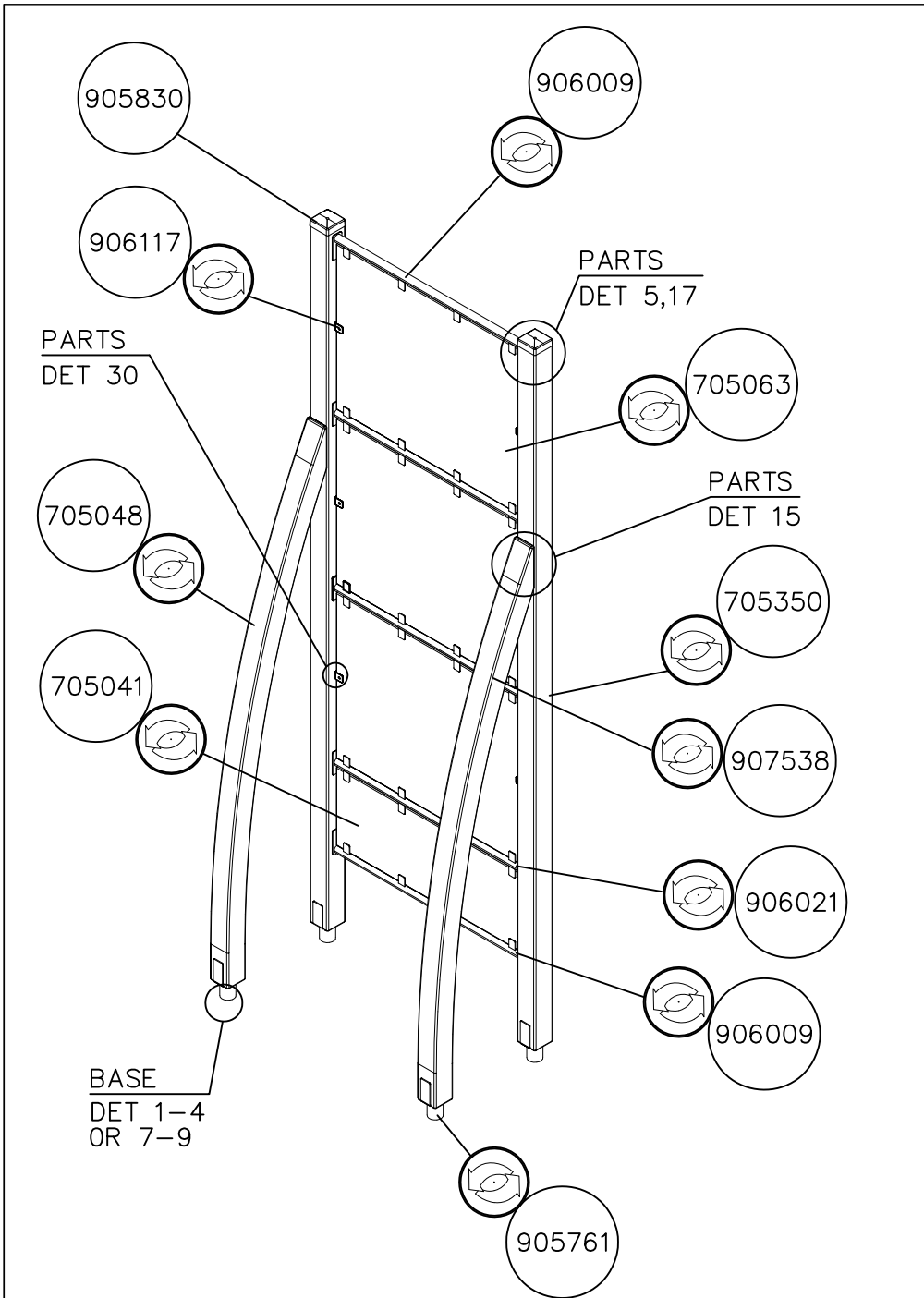
①	706032	PCS	②	705158	PCS
		1			1
				Ø37x16000	
③	704946	PCS	④	980114	PCS
		4			4
	120x120x1350			Ø4x20	
⑤	905761	PCS	⑥	905830	PCS
		4			4
	120x120x700			123x123x40	
⑦	980104	PCS	⑧	980123	PCS
		4			24
	Ø5x90			Ø7x60	
⑨	905753	PCS	⑩	905104	PCS
		2			16
	283x1477			M10	
⑪	980100	PCS	⑫	909256	PCS
		16			24
	Ø5x60			Ø16/8.4	
		PCS			PCS
		PCS			PCS



Area of Movement 34.5 m²
Training Space 3.1 m²
Max Falling Height 0 mm

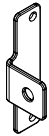
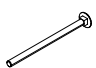




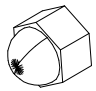



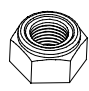
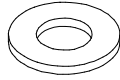
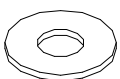

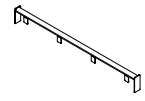
1:71





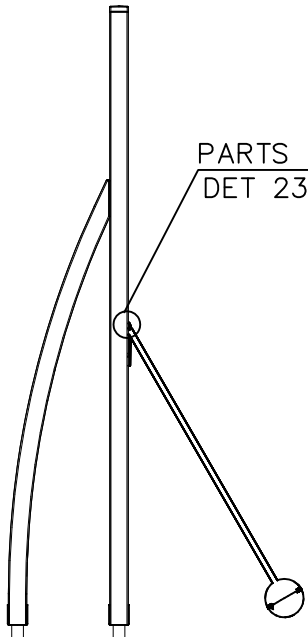
①	706029	PCS	②	705041	PCS
		1			1
				19x451x1240	
③	705048	PCS	④	705063	PCS
		2			3
	120x120			19x951x1240	
⑤	705350	PCS	⑥	902234	PCS
		2			2
	120x120x3990			M12	
⑦	980114	PCS	⑧	905051	PCS
		8			4
	Ø4x20			Ø24/8.4	
⑨	905083	PCS	⑩	905104	PCS
		2			16
	Ø32			M10	
⑪	704881	PCS	⑫	905112	PCS
		1			2
	118x78			Ø22	
⑬	905761	PCS	⑭	905830	PCS
		4			2
	120x120x700			123x123x40	
⑮	906021	PCS	⑯	907538	PCS
		2			1
	Ø42,4x1252			Ø42,4x1252	



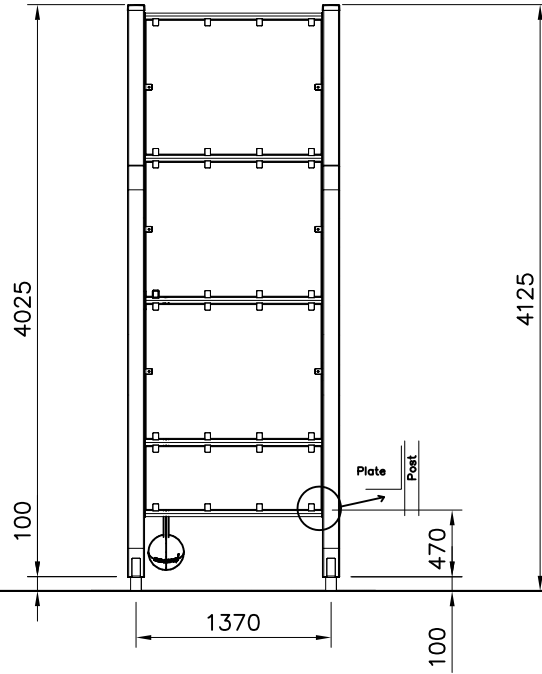
<p>⑰ 906117 PCS</p>  <p>130x44x52</p>	<p>⑱ 909102 PCS</p>  <p>M12x200</p>	<p>⑲ 909203 PCS</p>  <p>M8x75</p>	<p>⑳ 909233 PCS</p>  <p>8x100</p>	<p>㉑ 909253 PCS</p>  <p>Ø32/13.5/2</p>	<p>㉒ 909256 PCS</p>  <p>Ø16/8.4</p>
<p>⑳ 909633 PCS</p>  <p>M8</p>	<p>㉔ 909852 PCS</p>  <p>M8x30</p>	<p>㉕ 980104 PCS</p>  <p>Ø5x90</p>	<p>㉖ 980123 PCS</p>  <p>Ø7x60</p>	<p>㉗ 980150 PCS</p>  <p>M8</p>	<p>㉘ 980151 PCS</p>  <p>Ø16/8.4</p>
<p>㉙ 980152 PCS</p>  <p>Ø24/8.4x2</p>	<p>㉚ 906751 PCS</p> 	<p>㉛ 906009 PCS</p>  <p>Ø42,4x1252</p>			



1: 49

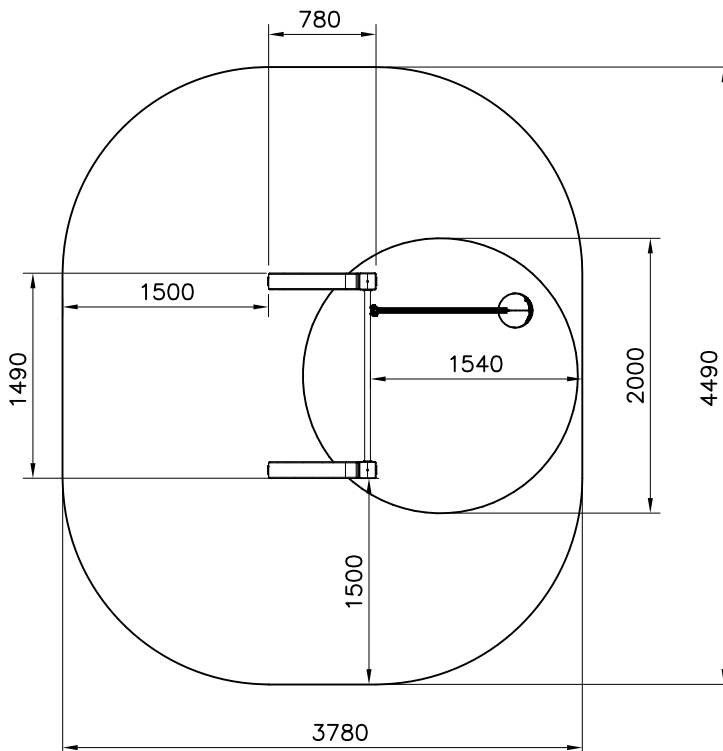


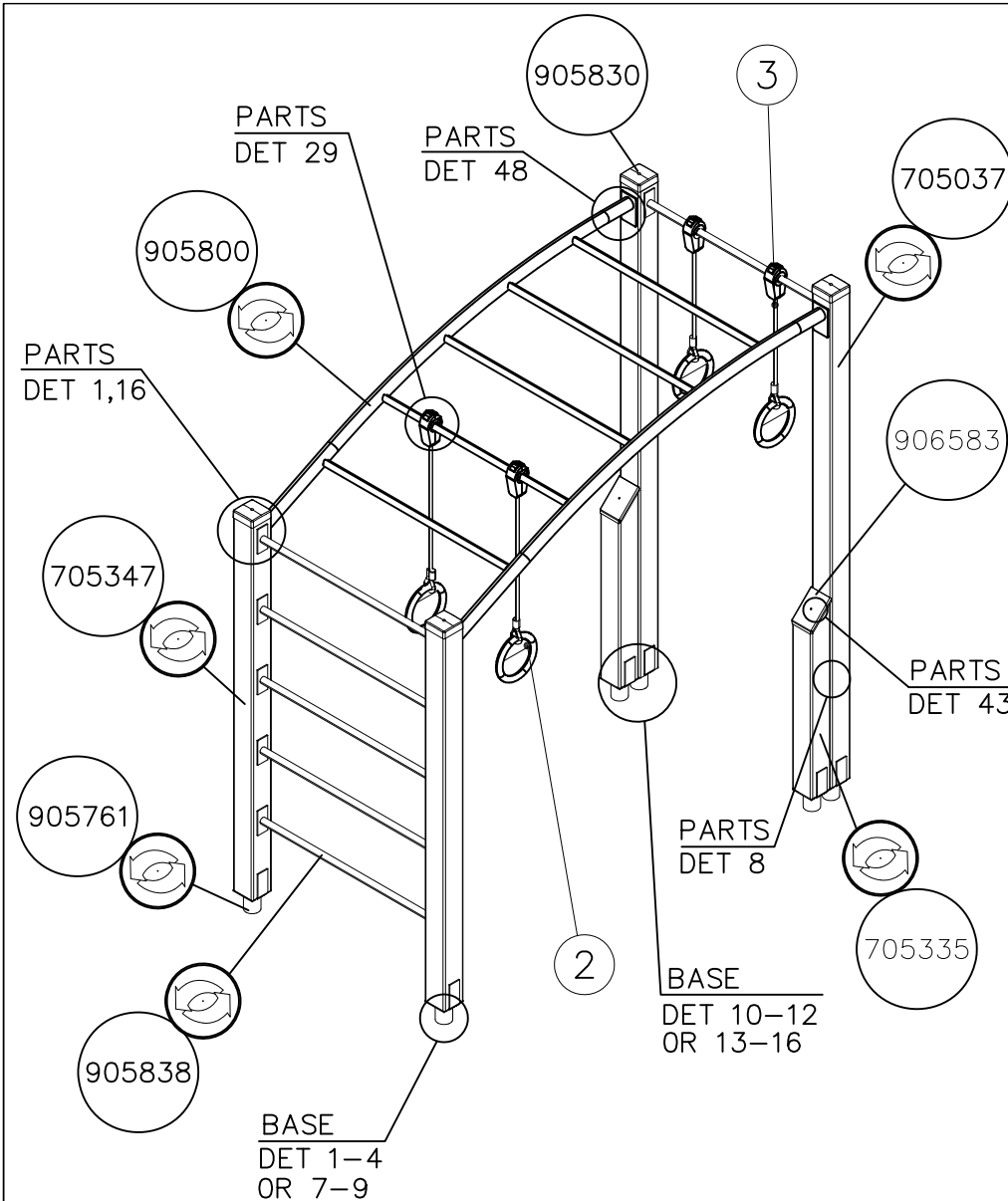
1: 53



Area of Movement 15 m2
Training Space 3.1 m2
Max Falling Height 0 mm

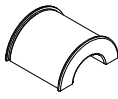
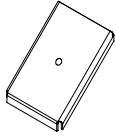
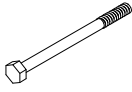






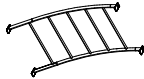



1: 55

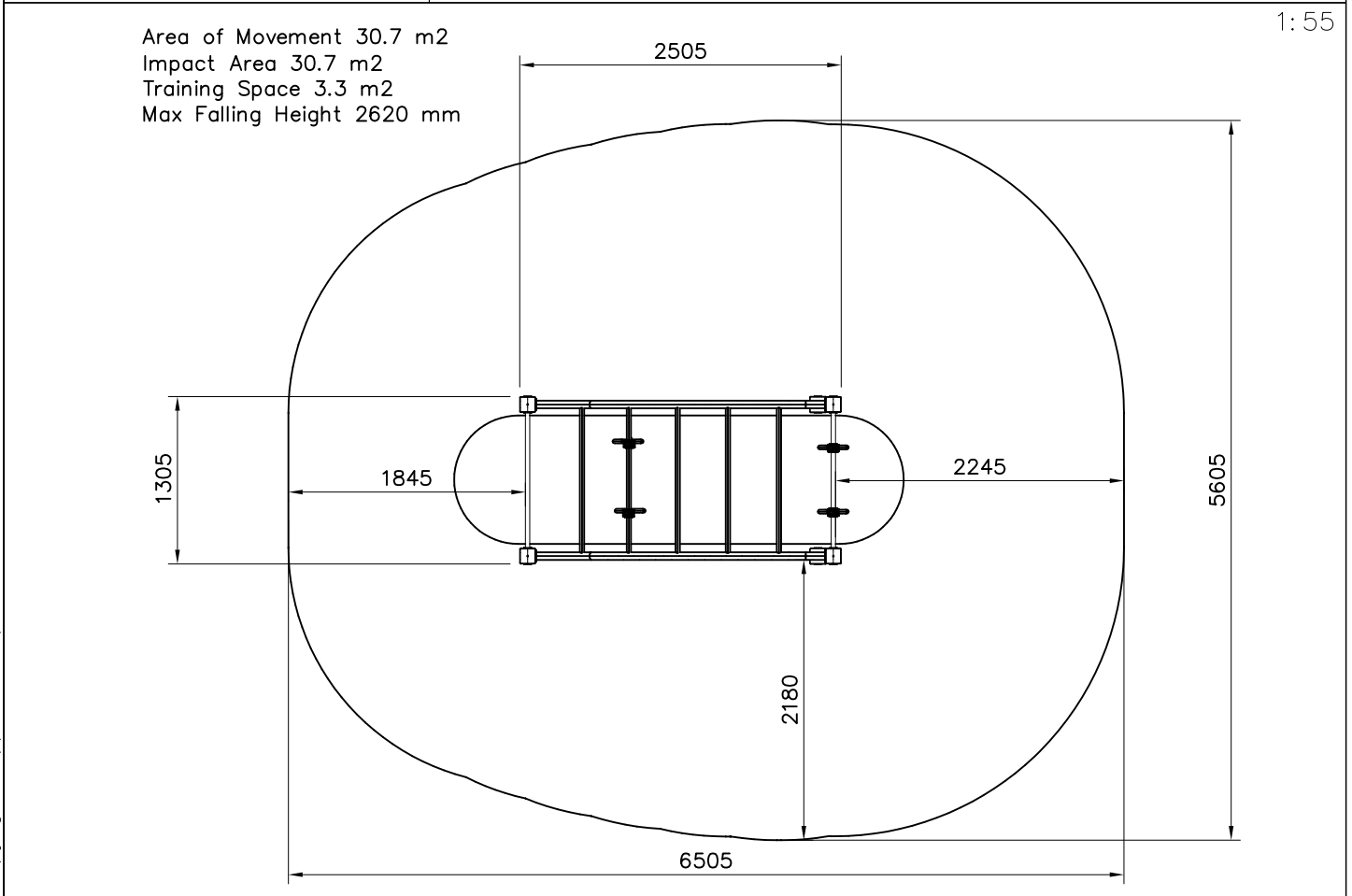
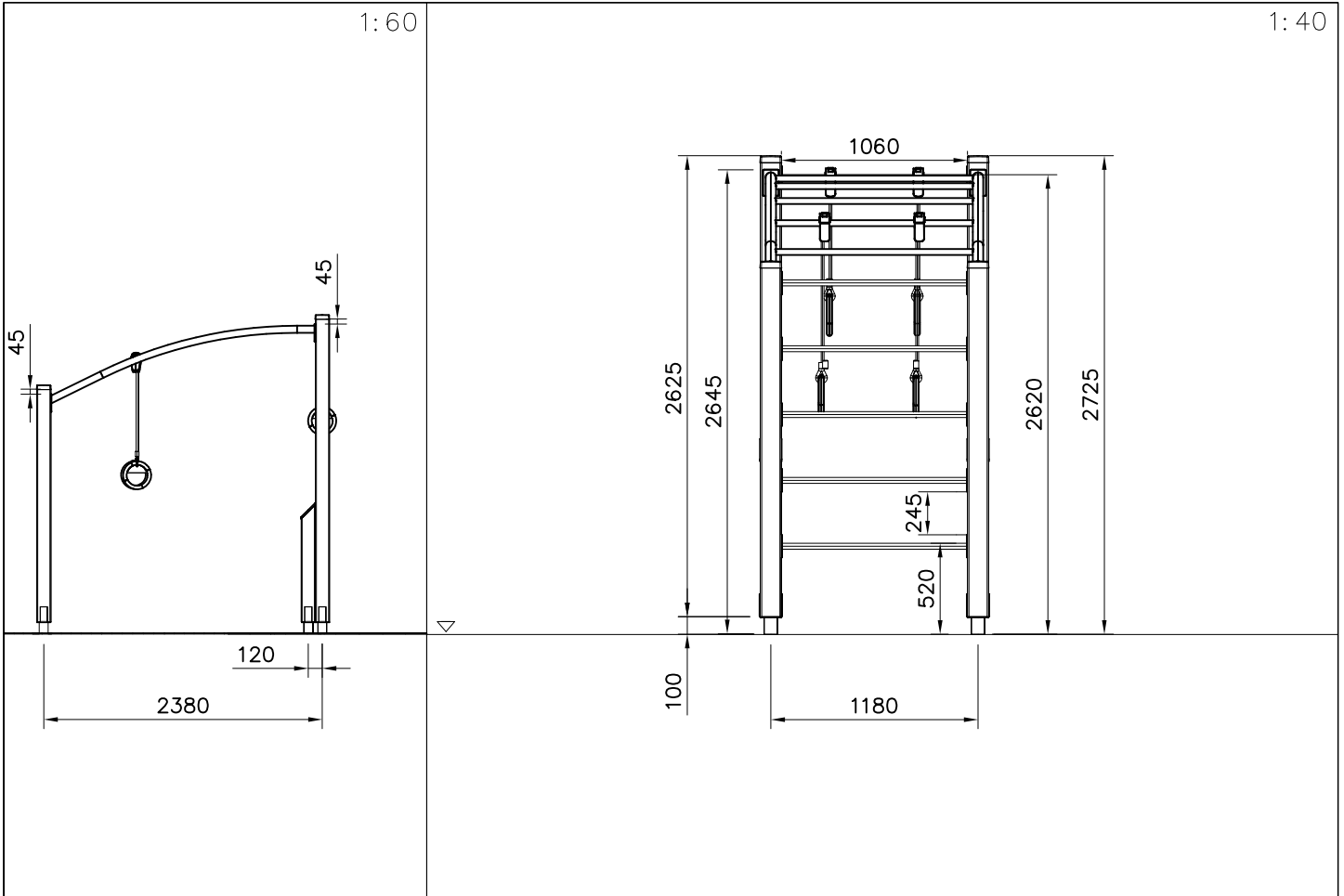


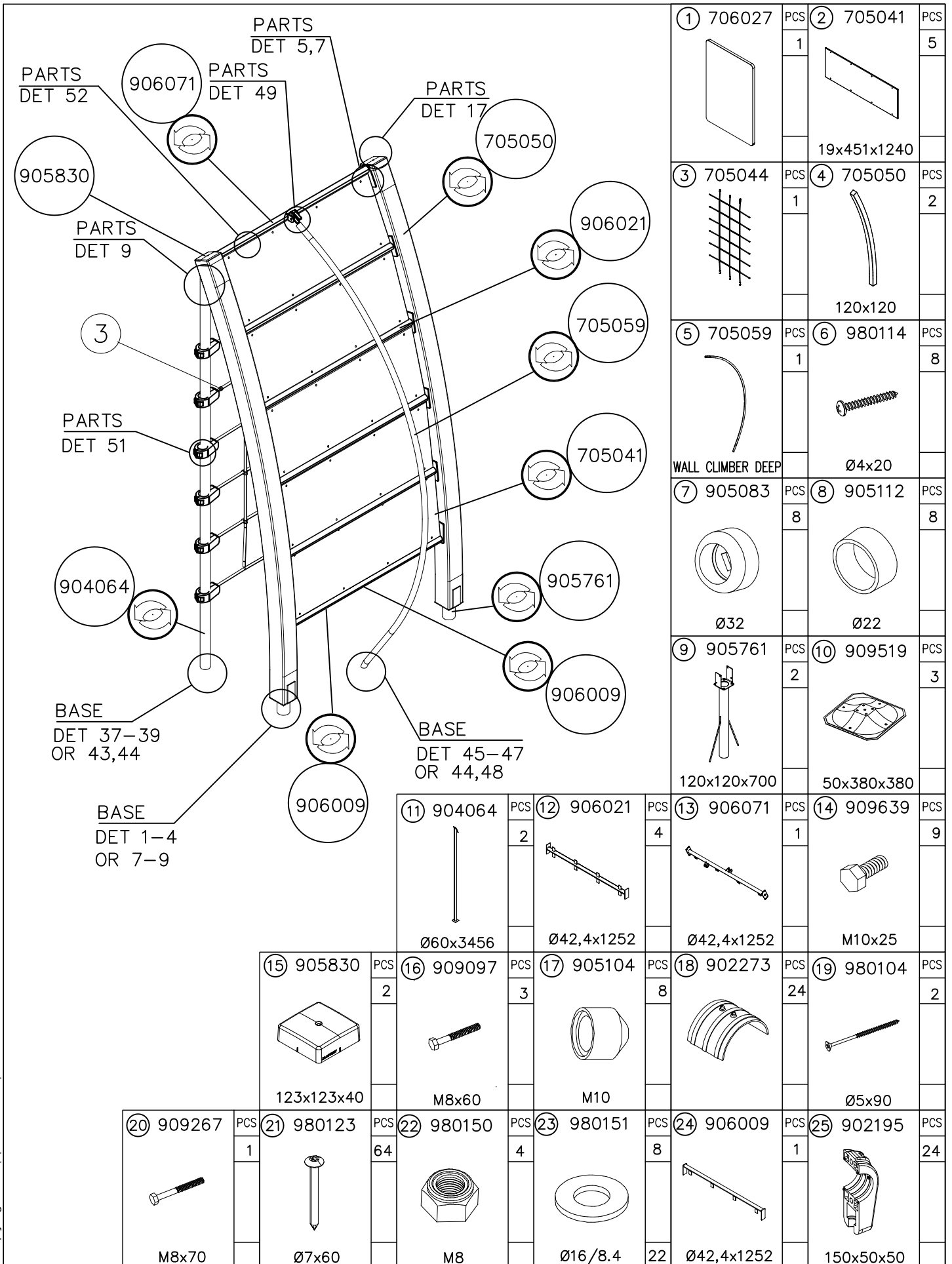


①	706026	PCS	②	705039	PCS
		1			2
				Ø16x974	
③	705040	PCS	④	705037	PCS
		2			2
	Ø16x764			120x120x2590	
⑤	705335	PCS	⑥	705347	PCS
		2			2
	120x120x1000			120x120x1990	
⑦	902195	PCS	⑧	902232	PCS
		8			4
	150x50x50			M10x55	
⑨	902233	PCS	⑩	706087	PCS
		4			1
	M10x30				
⑪	980100	PCS	⑫	905103	PCS
		2			6
	Ø5x60			PT-28/32-H	
⑬	905104	PCS	⑭	905761	PCS
		24			6
	M10			120x120x700	
⑮	905830	PCS	⑯	905838	PCS
		4			6
	123x123x40			L=1060	



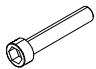
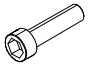
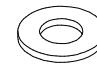

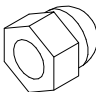
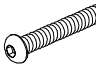
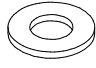
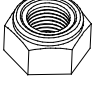
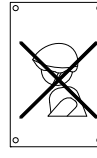
<p>⑰ 906006 PCS 8</p>  <p>Ø64/34,5x59</p>	<p>⑱ 906583 PCS 2</p>  <p>126x181x14x3</p>	<p>⑲ 909246 PCS 6</p>  <p>M12x140</p>	<p>⑳ 980114 PCS 16</p>  <p>Ø4x20</p>	<p>㉑ 900240 PCS 16</p>  <p>Ø8x70</p>	<p>㉒ 980104 PCS 4</p>  <p>Ø5x90</p>
<p>㉓ 980123 PCS 72</p>  <p>Ø7x60</p>	<p>㉔ 980154 PCS 6</p>  <p>Ø24/13</p>	<p>㉕ 980161 PCS 8</p>  <p>M10</p>	<p>㉖ 905800 PCS 1</p>  <p>2260x600x1270</p>	<p>㉗ 909256 PCS 72</p>  <p>Ø16/8.4</p>	<p>㉘ 706263 PCS 1</p> 
					<p>㉙ 702339 PCS 1</p>  <p>118x78</p>

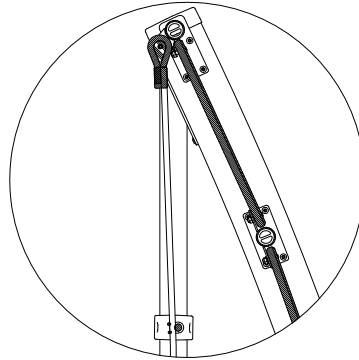




① 706027	PCS	② 705041	PCS
	1		5
		19x451x1240	
③ 705044	PCS	④ 705050	PCS
	1		2
		120x120	
⑤ 705059	PCS	⑥ 980114	PCS
	1		8
WALL CLIMBER DEEP		Ø4x20	
⑦ 905083	PCS	⑧ 905112	PCS
	8		8
Ø32		Ø22	
⑨ 905761	PCS	⑩ 909519	PCS
	2		3
120x120x700		50x380x380	
⑪ 904064	PCS	⑫ 906021	PCS
	2		4
Ø60x3456		Ø42,4x1252	
		Ø42,4x1252	
		M10x25	
⑬ 906071	PCS	⑭ 909639	PCS
	1		9
		M10x25	
⑮ 905830	PCS	⑯ 909097	PCS
	2		3
123x123x40		M8x60	
		M10	
⑰ 905104	PCS	⑱ 902273	PCS
	8		24
		Ø5x90	
⑲ 980104	PCS		
	2		
Ø5x90			
⑳ 909267	PCS	㉑ 980123	PCS
	1		64
M8x70		Ø7x60	
		M8	
㉒ 980150	PCS	㉓ 980151	PCS
	4		8
		Ø16/8.4	
		22	
㉔ 906009	PCS	㉕ 902195	PCS
	1		24
Ø42,4x1252		150x50x50	



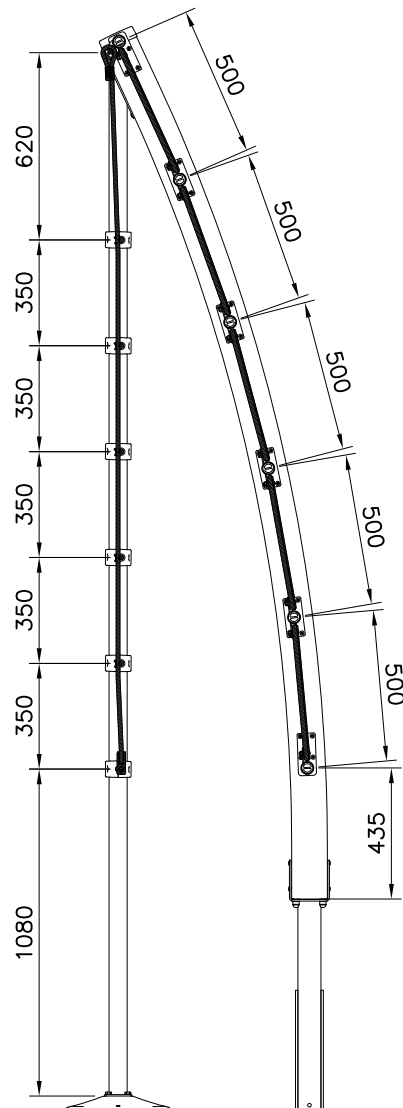
(26) 902232	PCS 12	(27) 902233	PCS 12	(28) 909256	PCS 104	(29) 909637	PCS 9	(30) 909633	PCS 40	(31) 909852	PCS 40
											
M10x55		M10x30		Ø16/8.4x1.6		M10		M8		M8x30	
(32) 909638	PCS 18	(33) 980161	PCS 24	(34) 702339	PCS 1						
											
Ø20/10.5		M10		118x78							

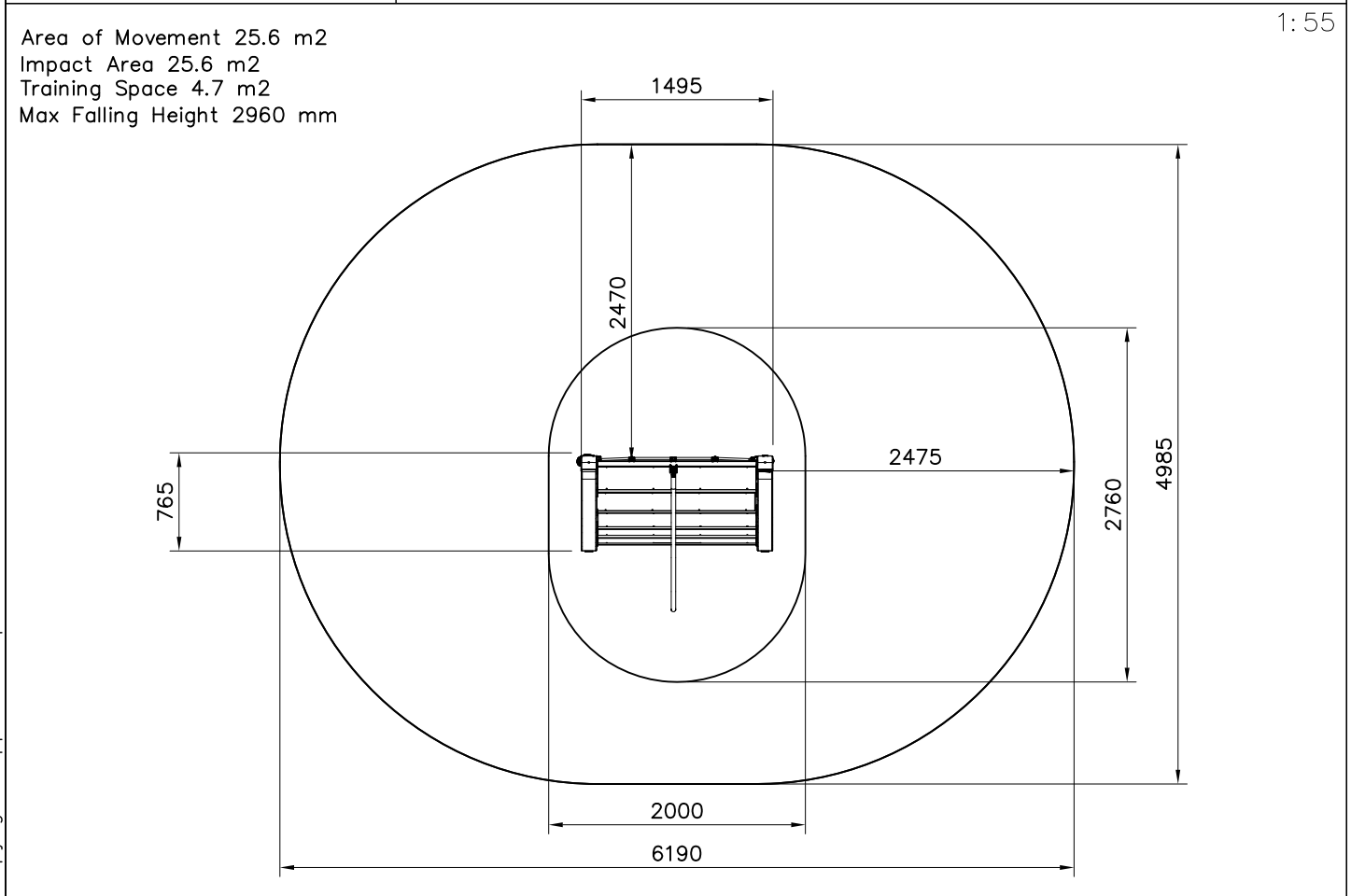
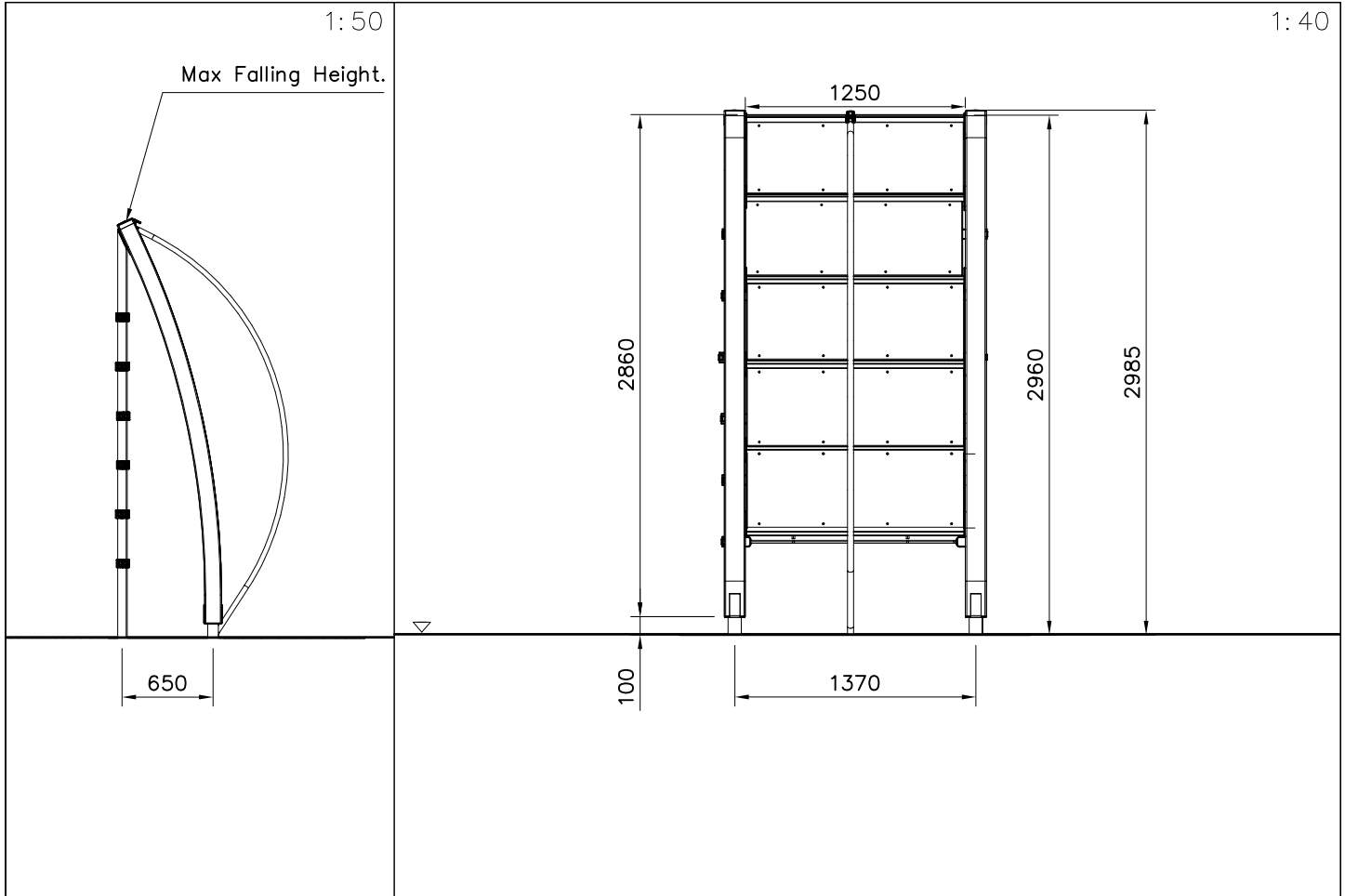


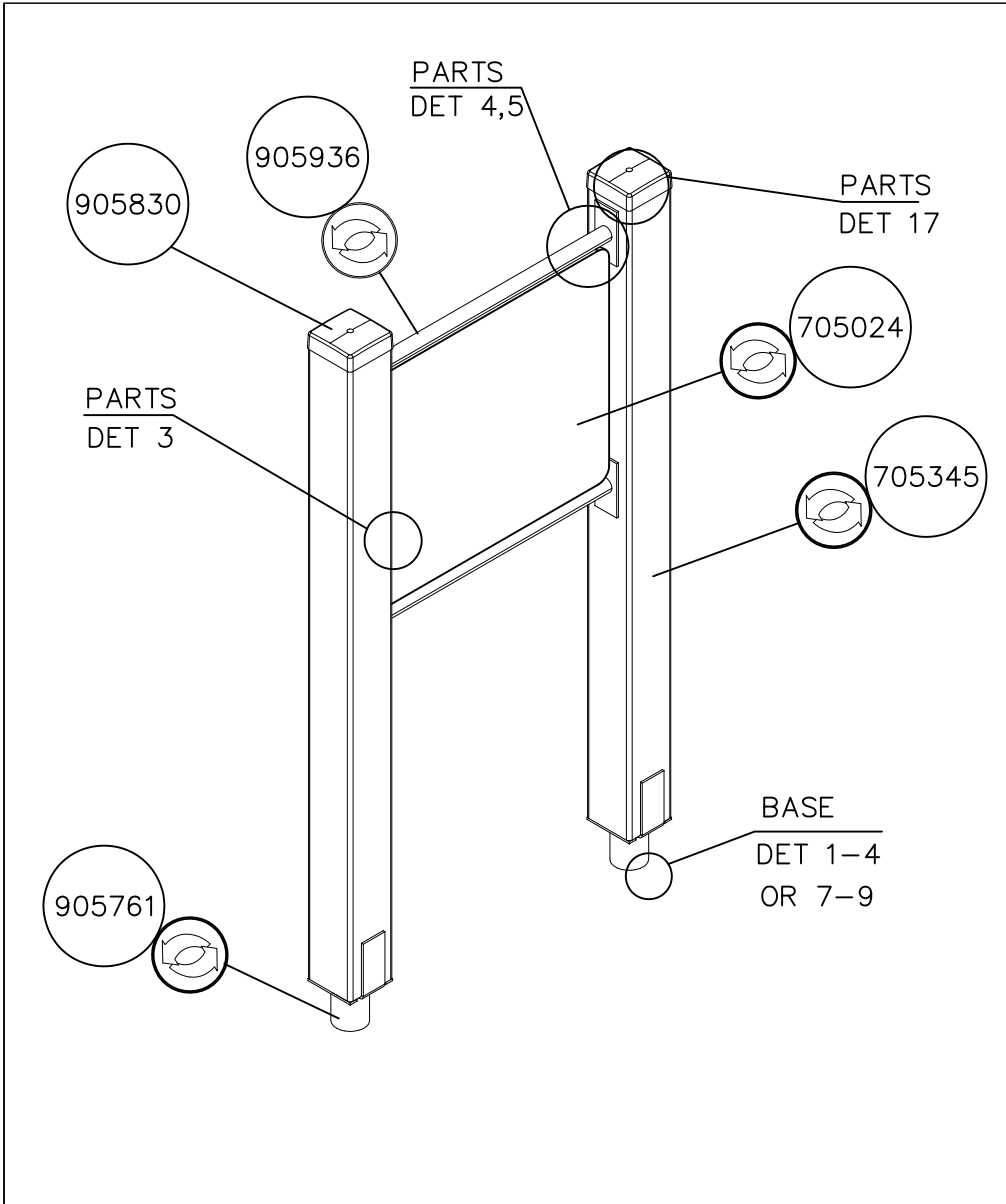
1:25

Net
Verkko

Wall
Seinä

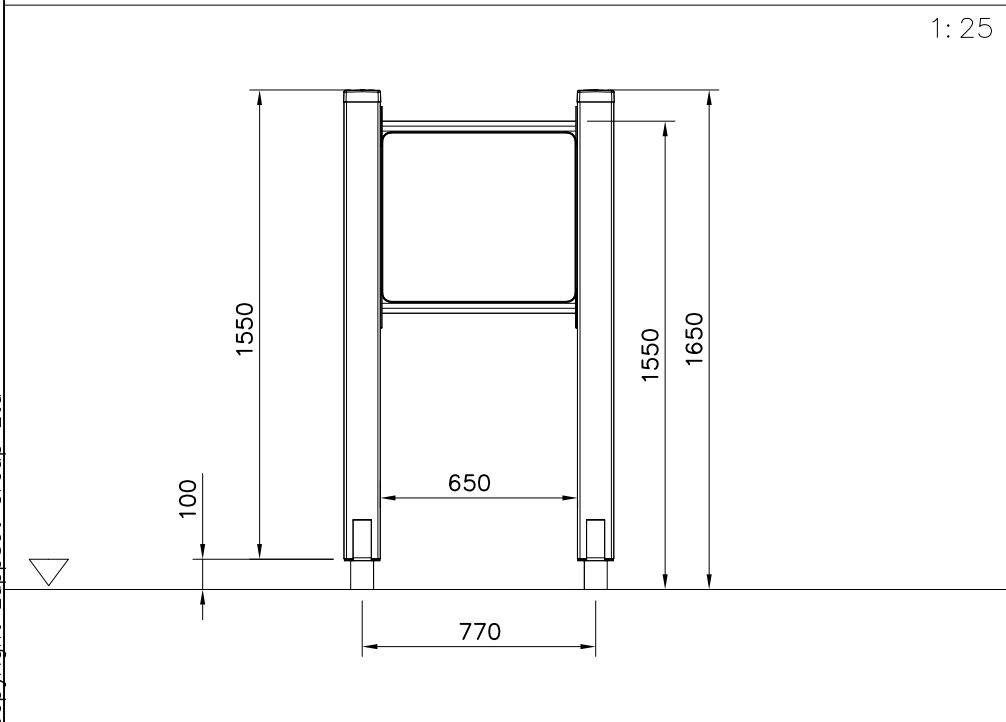


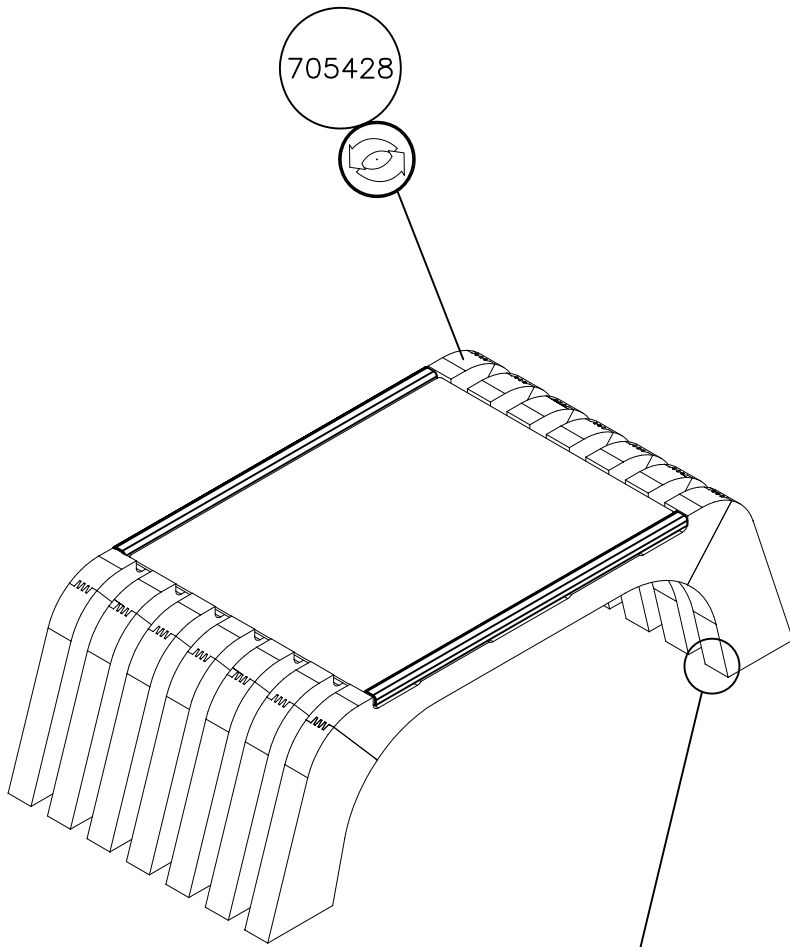






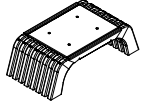
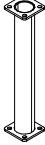
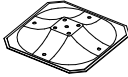
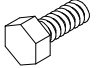


① 705024	PCS	② 705345	PCS
	1		2
15x640x560		120x120x1520	
③ 909633	PCS	④ 905104	PCS
	8		8
M8		M10	
⑤ 905761	PCS	⑥ 905830	PCS
	2		2
120x120x700		123x123x40	
⑦ 905936	PCS	⑧ 909256	PCS
	2		28
L=652		Ø16/8.4x1.6	
⑨ 909855	PCS	⑩ 980104	PCS
	8		2
M8x35		Ø5x90	
⑪ 980123	PCS		PCS
	20		
Ø7x60			
⑫ 901899	PCS		PCS
Optio	8		
M8x45			
	PCS		PCS

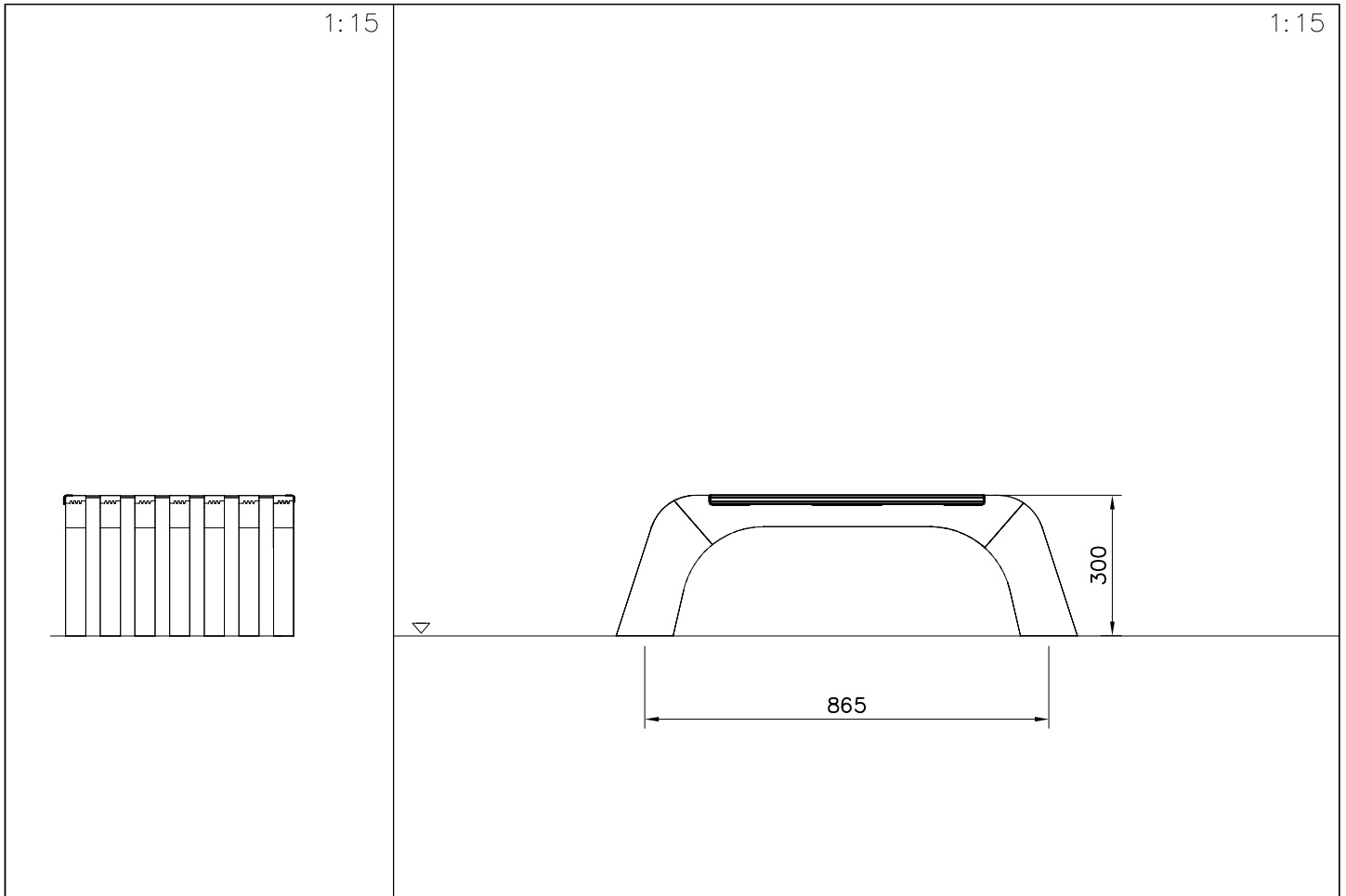
1: 25





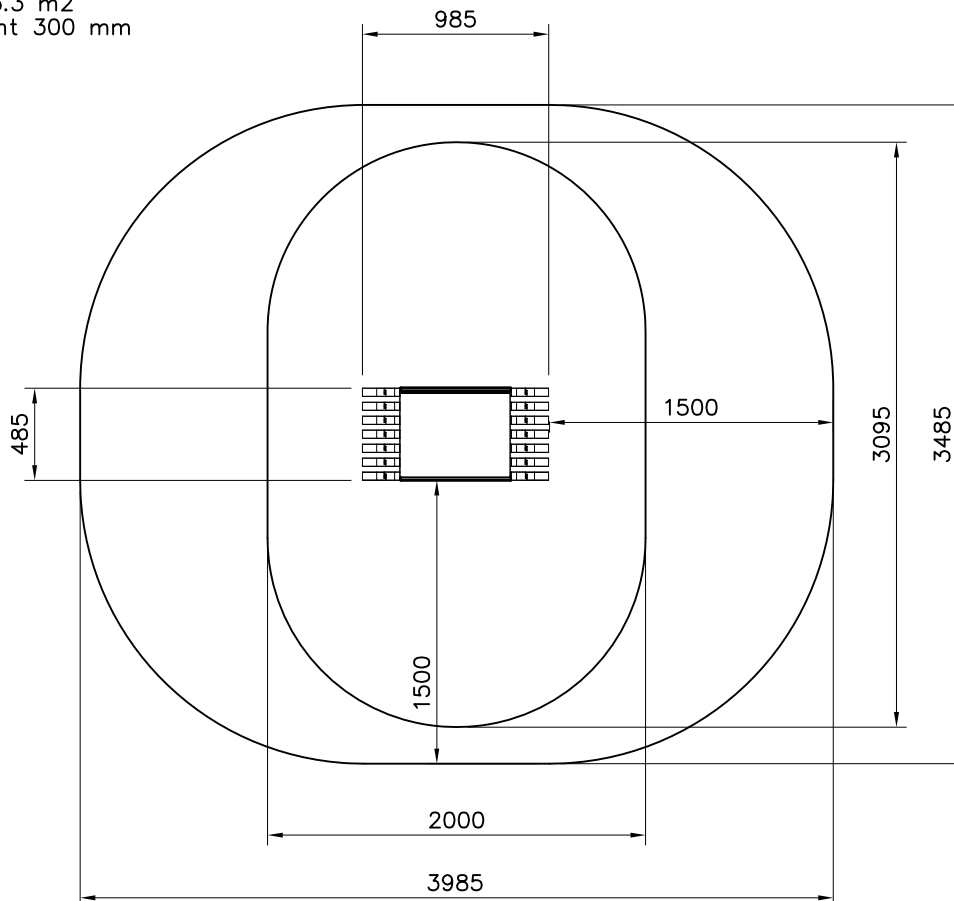
BASE
DET 22-24
OR 25-27

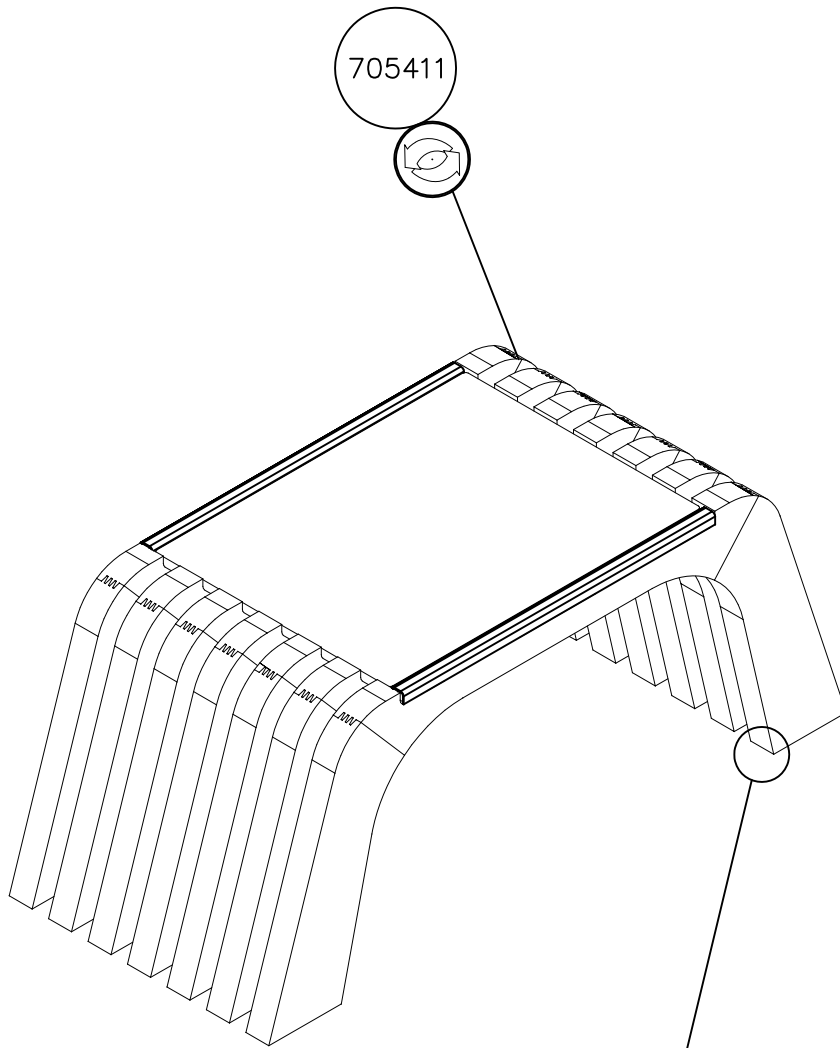
① 706017	PCS	② 980114	PCS
	1		4
		Ø4x20	
③ 705428	PCS	④ 902272	PCS
	1		4
		90x90x450	
⑤ 909519	PCS	⑥ 909639	PCS
	4		8
50x380x380		M10x25	
⑦ 909638	PCS	⑧ 909637	PCS
	16		8
Ø20/10.5		M10	
	PCS		PCS
	PCS		PCS
	PCS		PCS
	PCS		PCS



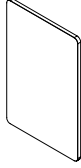

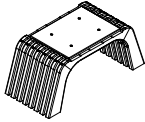
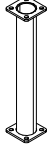
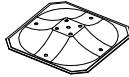
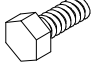


Area of Movement 12 m²
Training Space 5.3 m²
Max Falling Height 300 mm

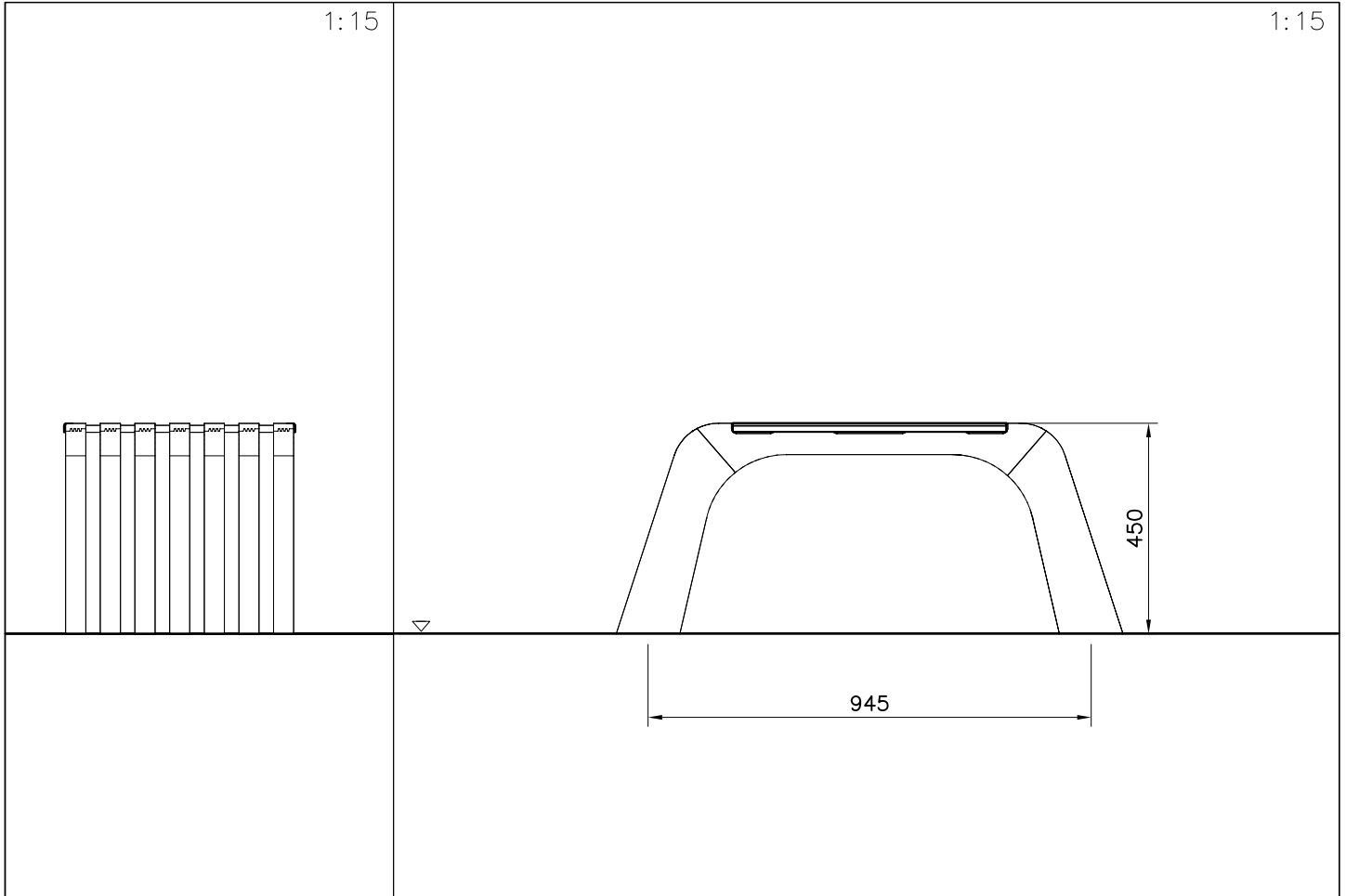
1:40





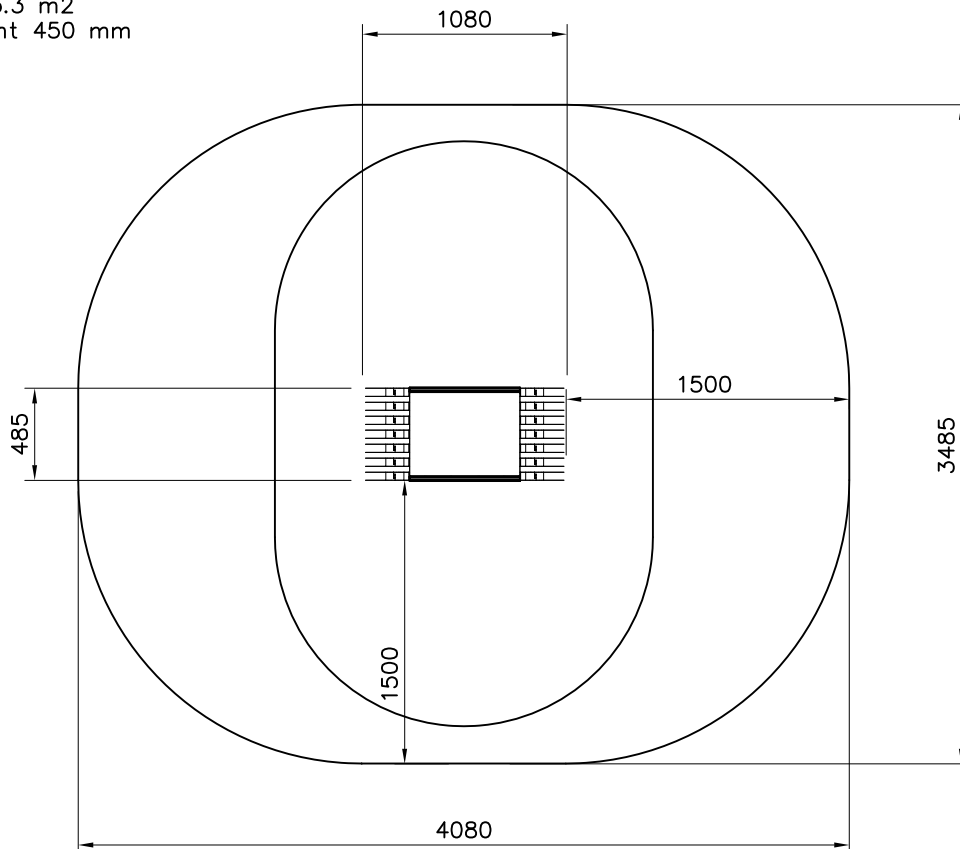
BASE
DET 22-24
OR 25-27

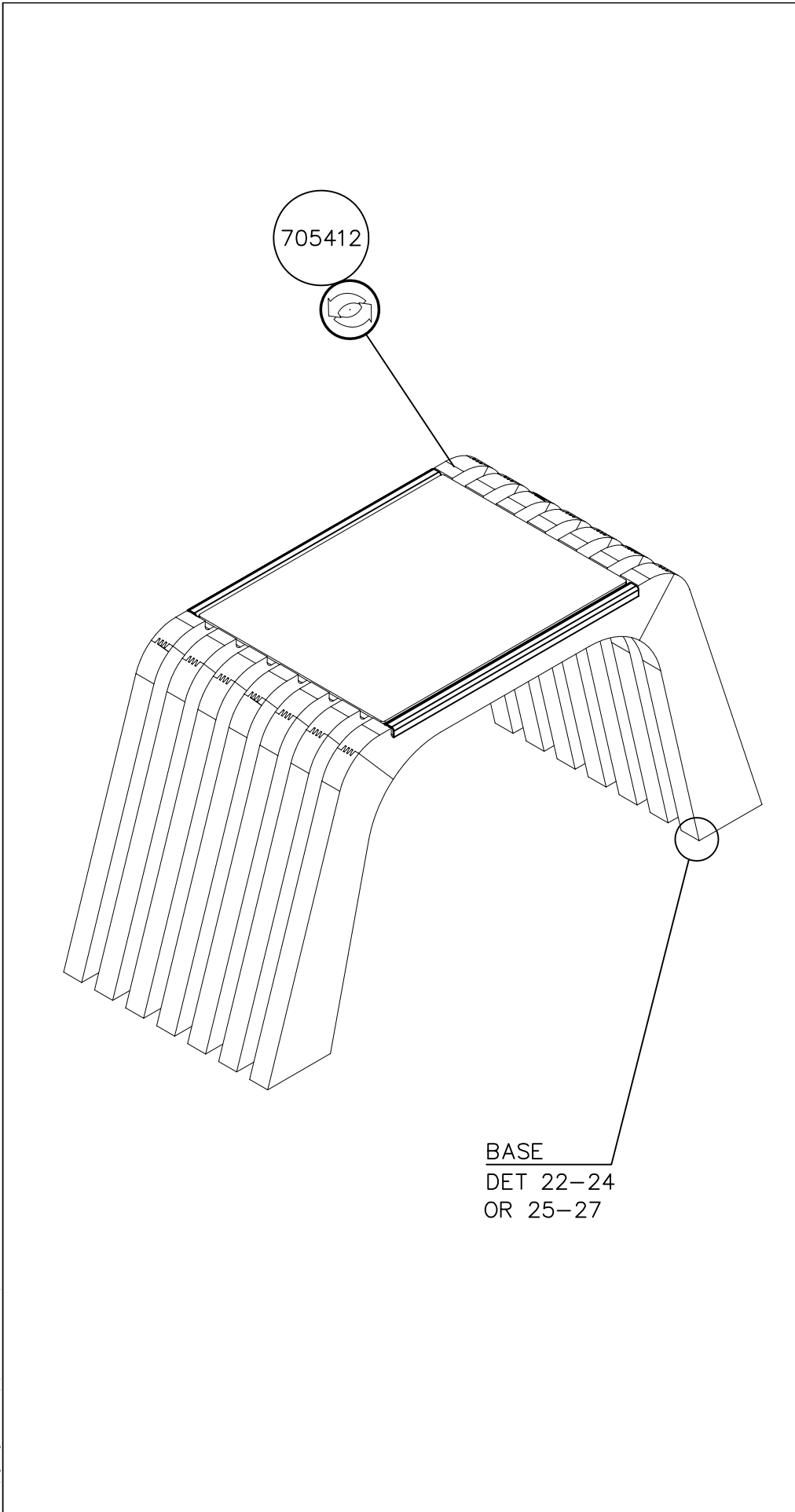
①	706018	PCS	②	980114	PCS
		1			4
				Ø4x20	
③	705411	PCS	④	902272	PCS
		1			4
				90x90x450	
⑤	909519	PCS	⑥	909639	PCS
		4			8
	50x380x380			M10x25	
⑦	909638	PCS	⑧	909637	PCS
		16			8
	Ø20/10.5			M10	
		PCS			PCS
		PCS			PCS
		PCS			PCS
		PCS			PCS



Area of Movement 12.3 m²
Training Space 5.3 m²
Max Falling Height 450 mm

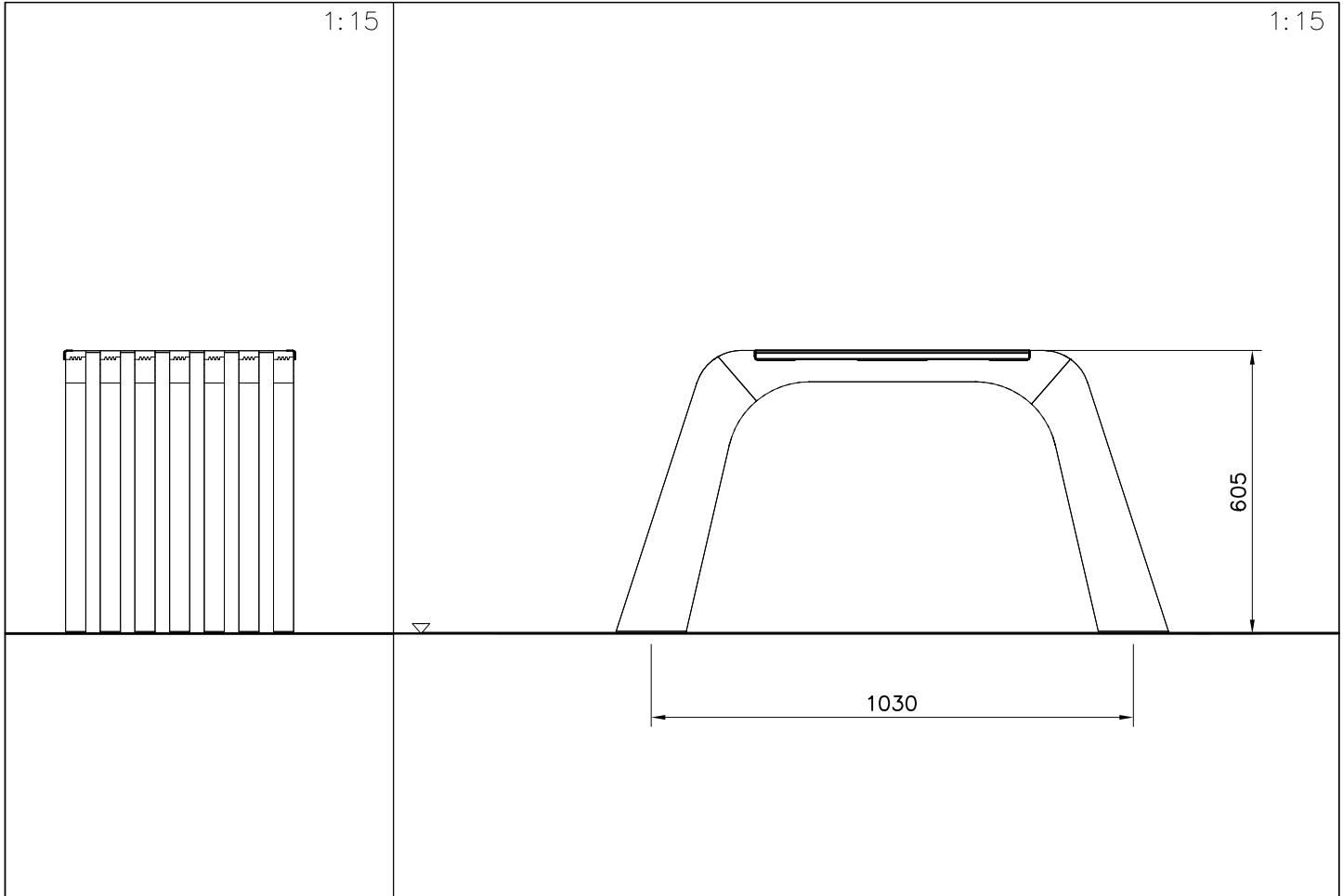
1:40





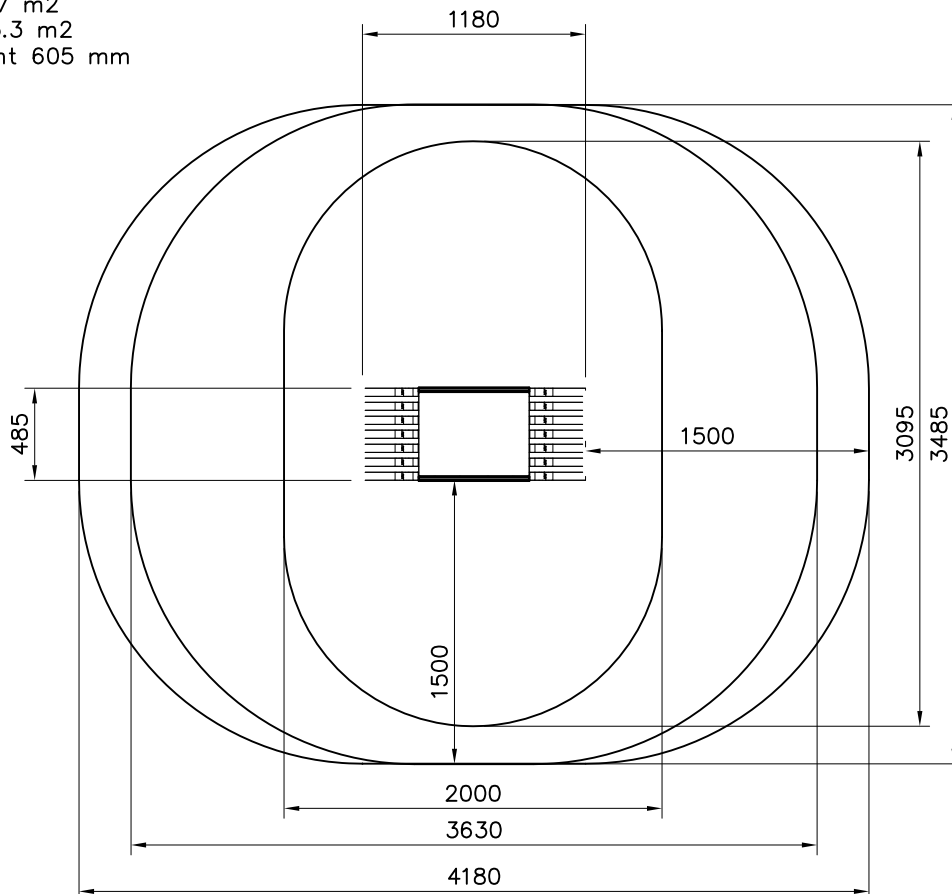
①	706019	PCS	②	980114	PCS
		1			4
				Ø4x20	
③	705412	PCS	④	902272	PCS
		1			4
				90x90x450	
⑤	909519	PCS	⑥	909639	PCS
		4			8
	50x380x380			M10x25	
⑦	909638	PCS	⑧	909637	PCS
		16			8
	Ø20/10.5			M10	
		PCS			PCS
		PCS			PCS
		PCS			PCS
		PCS			PCS

BASE
DET 22-24
OR 25-27



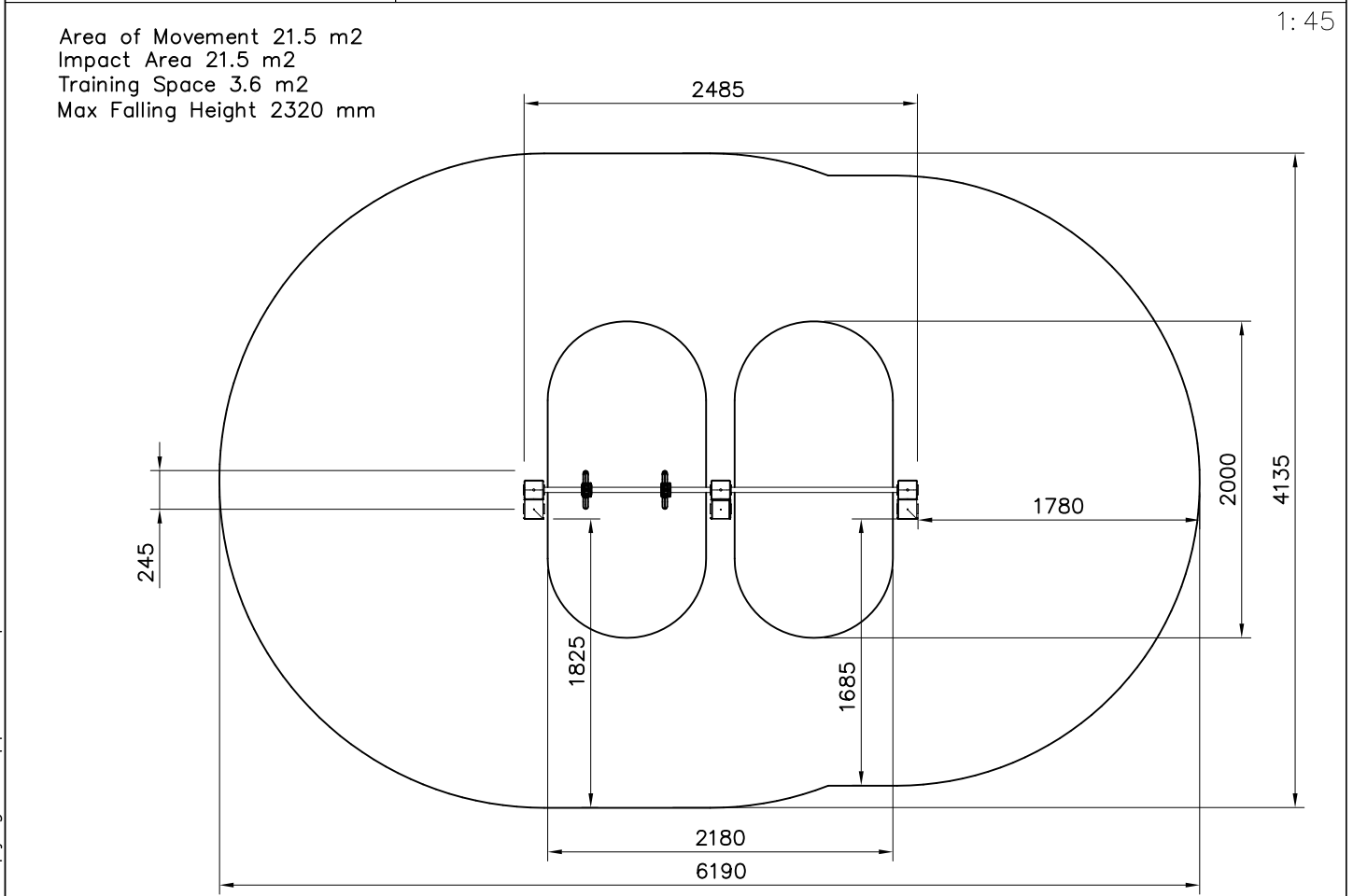
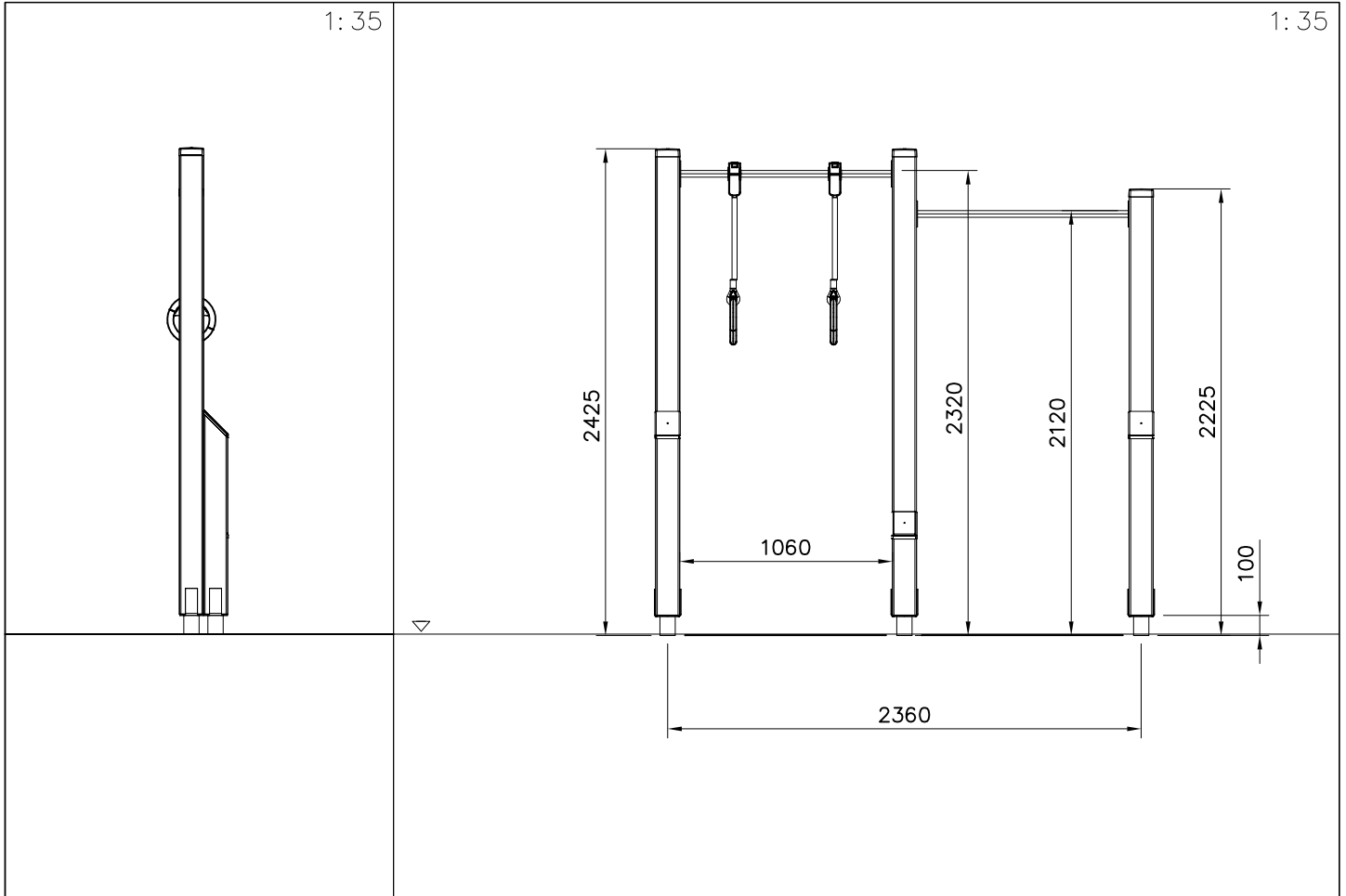
Area of Movement 12.6 m²
Impact Area 10.7 m²
Training Space 5.3 m²
Max Falling Height 605 mm

1:40





(1) 706030	PCS	(2) 705231	PCS
	1		1
		120x120x2290	
(3) 705335	PCS	(4) 705388	PCS
	2		1
120x120x1000		120x120x2090	
(5) 705402	PCS	(6) 705405	PCS
	1		1
120x120x2290		120x120x500	
(7) 705406	PCS	(8) 902195	PCS
	1		4
126x181x18		150x50x50	
(9) 902232	PCS	(10) 902233	PCS
	2		2
M10x55		M10x30	
(11) 706088	PCS	(12) 905103	PCS
	1		7
		PT-28/32-H	
(13) 905104	PCS	(14) 905761	PCS
	24		6
M10		120x120x700	
(15) 905830	PCS	(16) 905838	PCS
	3		2
123x123x40		L=1060	
(17) 906583	PCS	(18) 909246	PCS
	2		7
126x181x14x3		M12x140	
(19) 980114	PCS	(20) 980100	PCS
	8		3
Ø4x20		Ø5x60	
(21) 980104	PCS	(22) 980123	PCS
	3		40
Ø5x90		Ø7x60	
(23) 980154	PCS	(24) 980161	PCS
	7		4
Ø24/13		M10	
(25) 705040	PCS	(26) 906006	PCS
	2		4
Ø16x764		Ø64/34,5x59	
(27) 909256	PCS		PCS
	40		40
Ø16/8.4			



												
<p>$h < 600$</p> <p>Without movement and therefore without Impact Area</p>	<p>Totally hard surfaces.</p> <p>Note. Lappset does <u>not recommend</u> totally hard surfaces at all.</p>	<p>E.g. concrete or asphalt</p> 										
<p>$h < 600$</p> <p>With movement e.g. rocking</p>	<p>Materials with very limited impact attenuating properties.</p>	<p>E.g. wood</p> 										
<p>$h < 1000$</p>	<p>Materials with significant impact attenuating properties.</p>	<p>fine gravel 0–8 mm</p>  <p>grass</p>  <p>unsorted sand</p> 										
<p>$h < 3000$</p>	<p>Loose fill material</p> <p>E.g. sand/gravel 0,25...8 mm D60/D10<3,0 Woodchips 5...30 mm bark 20...80 mm</p>	 <table data-bbox="1021 1691 1332 1792"> <tr> <td>\underline{S}</td> <td>\underline{h}</td> </tr> <tr> <td>30 cm</td> <td>< 2,0 m</td> </tr> <tr> <td>40 cm</td> <td>< 3,0 m</td> </tr> </table>	\underline{S}	\underline{h}	30 cm	< 2,0 m	40 cm	< 3,0 m				
\underline{S}	\underline{h}											
30 cm	< 2,0 m											
40 cm	< 3,0 m											
	<p>Syntethic granulates</p> <table data-bbox="406 1892 758 2060"> <tr> <td>\underline{S}</td> <td>\underline{h}</td> </tr> <tr> <td>40 mm</td> <td>~> 1,2...1,3 m</td> </tr> <tr> <td>50 mm</td> <td>~> 1,5...1,7 m</td> </tr> <tr> <td>60 mm</td> <td>~> 1,8...2,0 m</td> </tr> <tr> <td>70 mm</td> <td>~> 2,1...2,5 m</td> </tr> </table> <p>Note. For accurate values, see manufacturer's instructions.</p>	\underline{S}	\underline{h}	40 mm	~> 1,2...1,3 m	50 mm	~> 1,5...1,7 m	60 mm	~> 1,8...2,0 m	70 mm	~> 2,1...2,5 m	
\underline{S}	\underline{h}											
40 mm	~> 1,2...1,3 m											
50 mm	~> 1,5...1,7 m											
60 mm	~> 1,8...2,0 m											
70 mm	~> 2,1...2,5 m											

REMOVE SAFETY SURFACE/SAND/GRAVEL
TO CHECK FOUNDATION

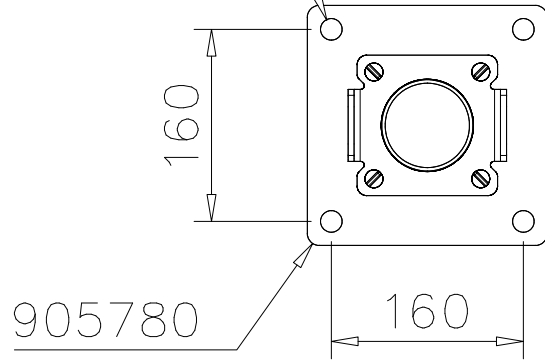


REMOVE SAFETY SURFACE/SAND/GRAVEL
TO CHECK FOUNDATION

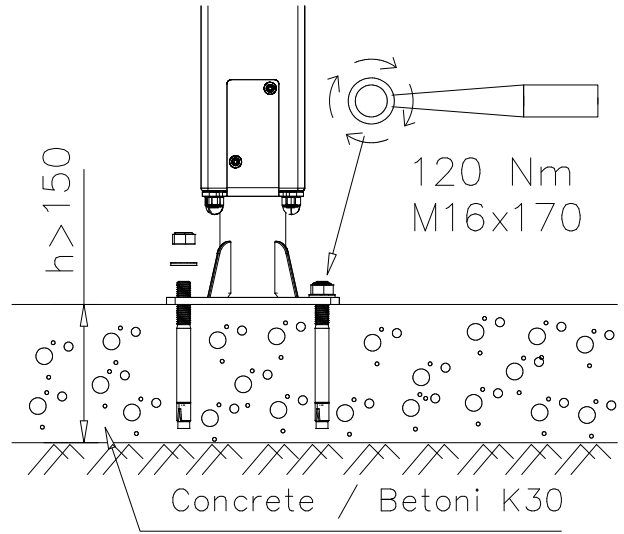


DET 1

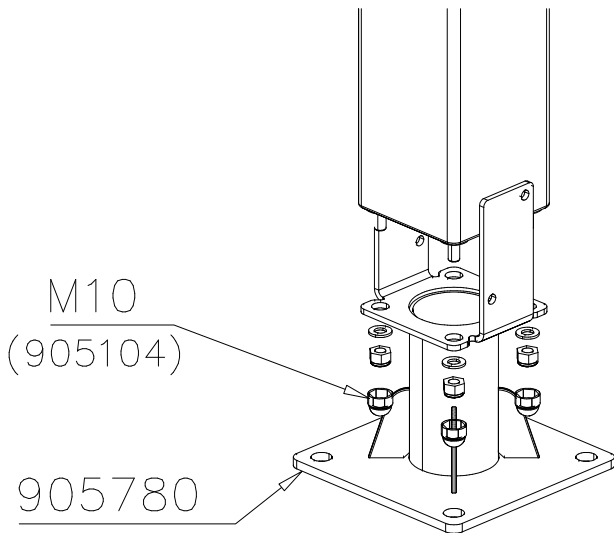
$\varnothing 16 \downarrow > 130$



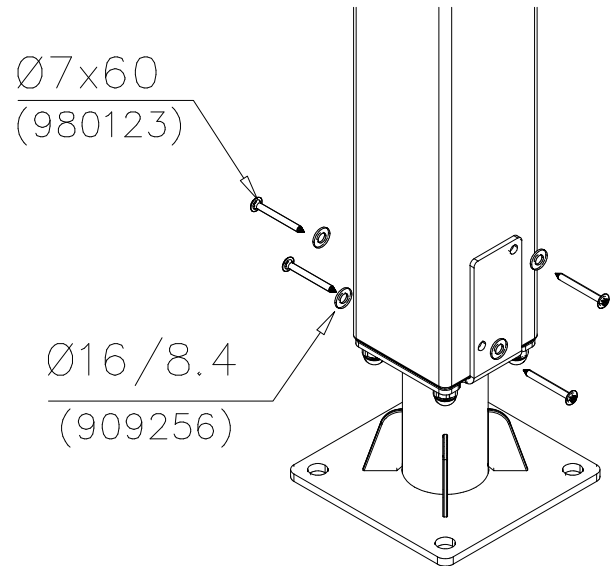
DET 2



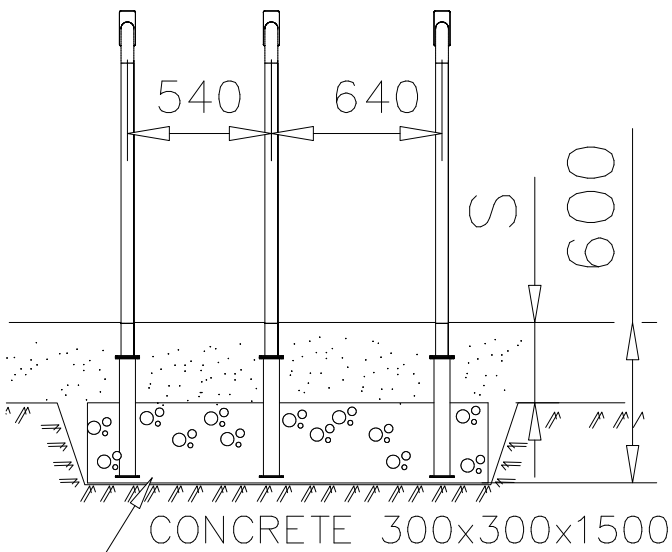
DET 3



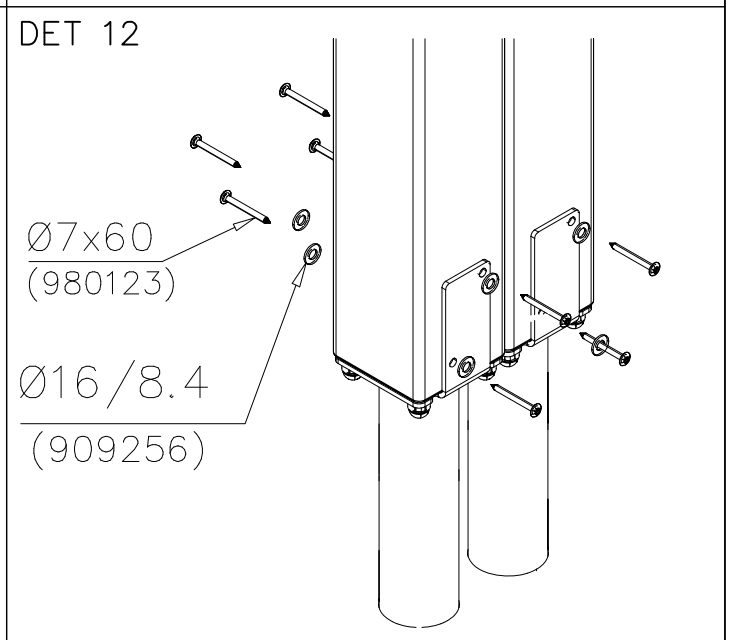
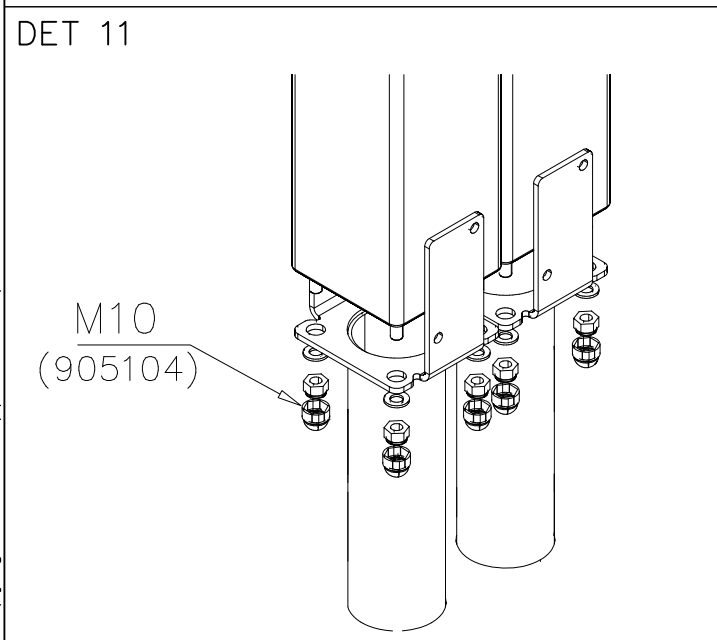
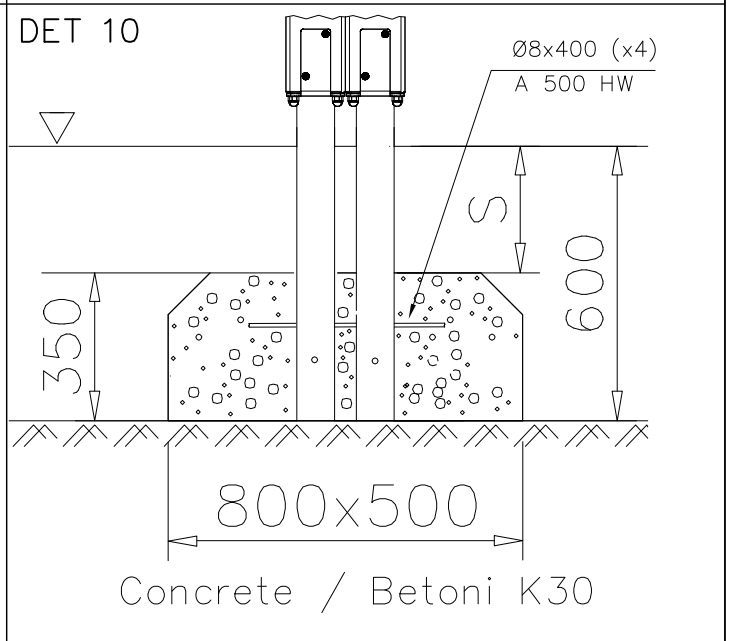
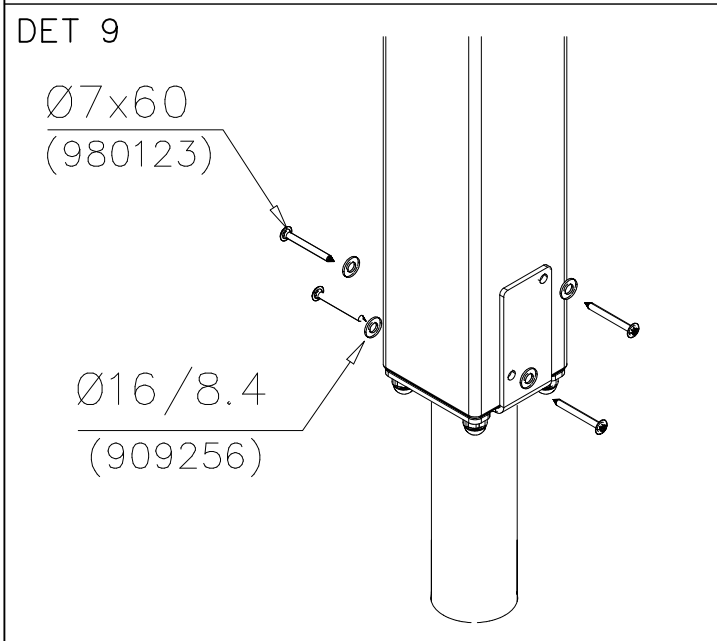
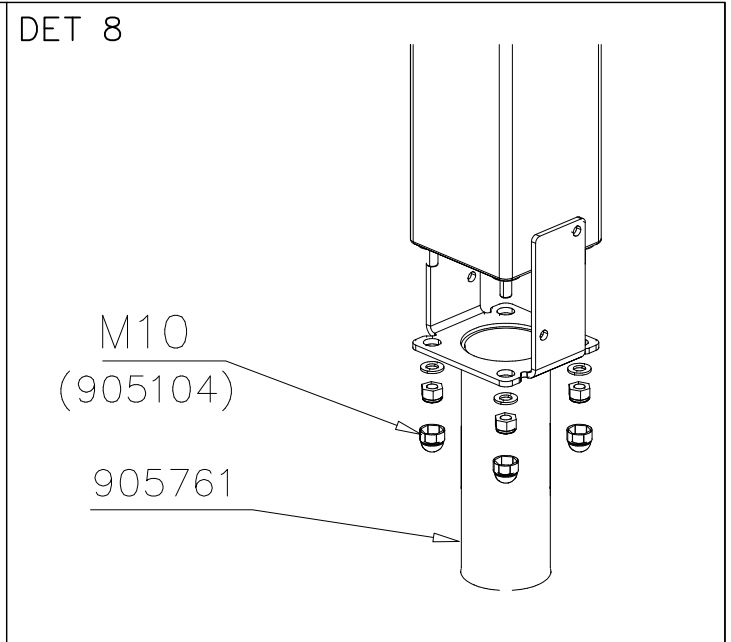
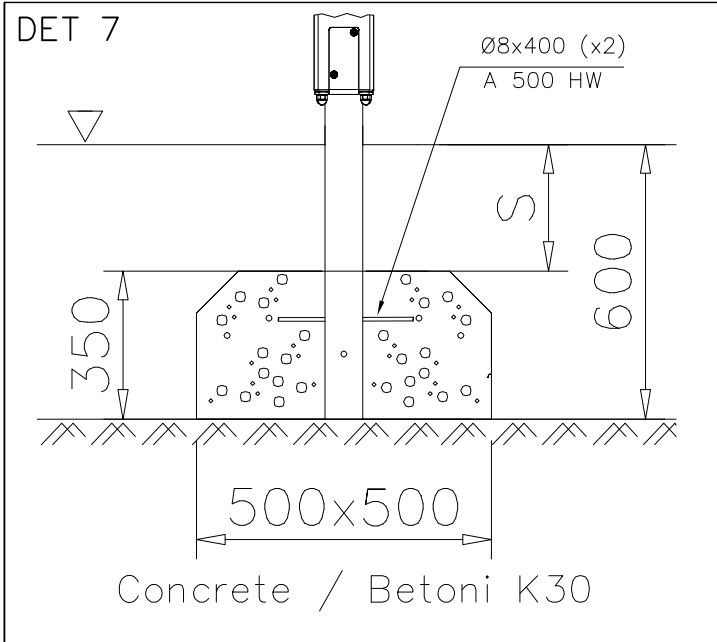
DET 4



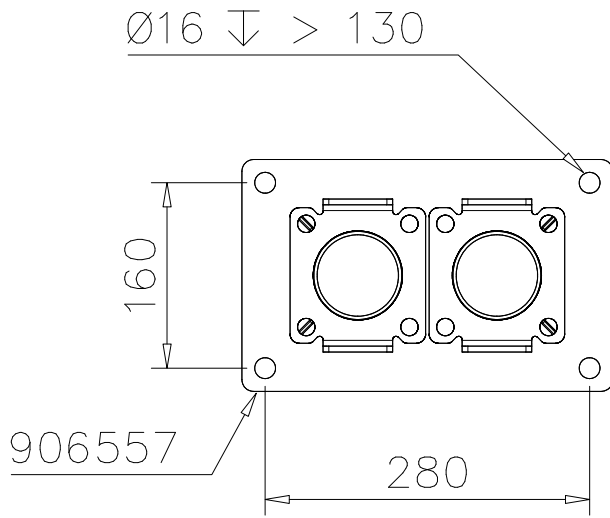
DET 5



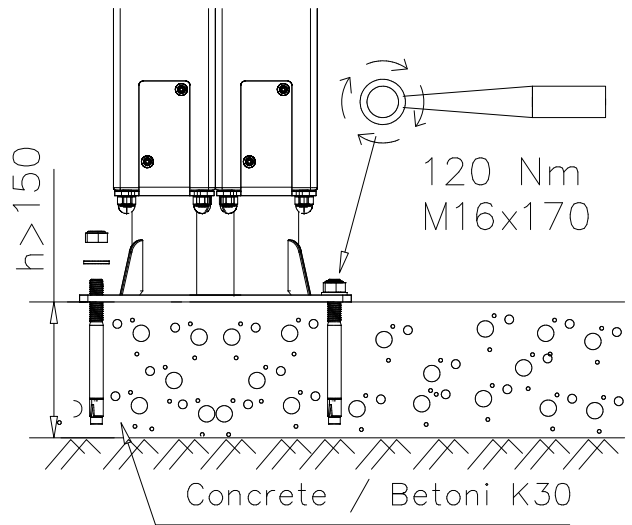
DET 6



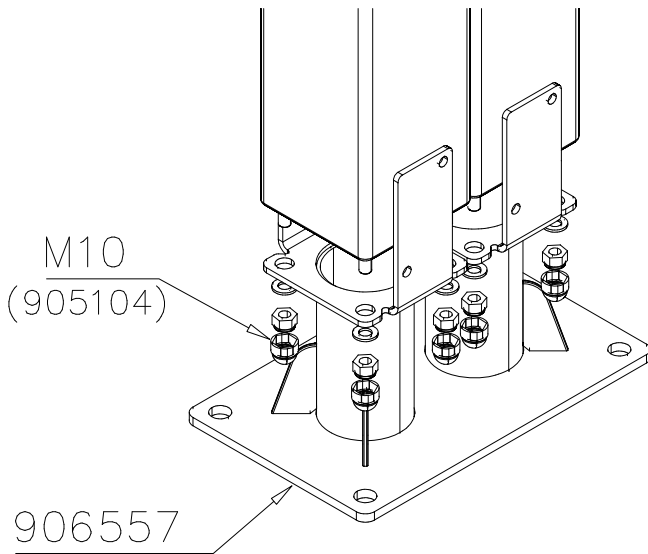
DET 13



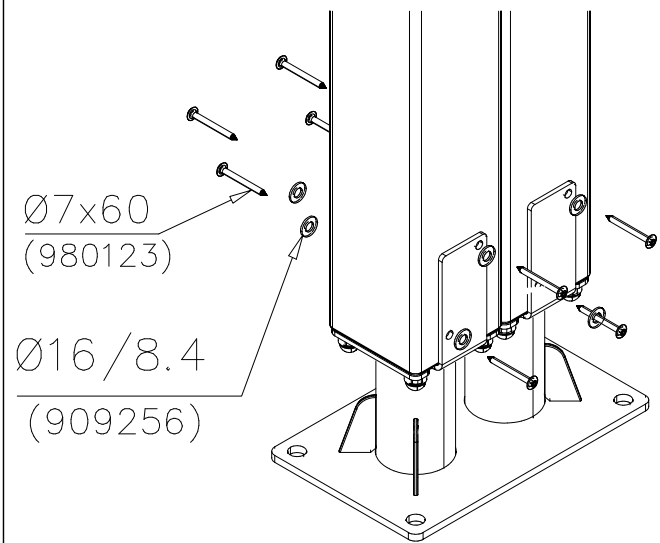
DET 14



DET 15

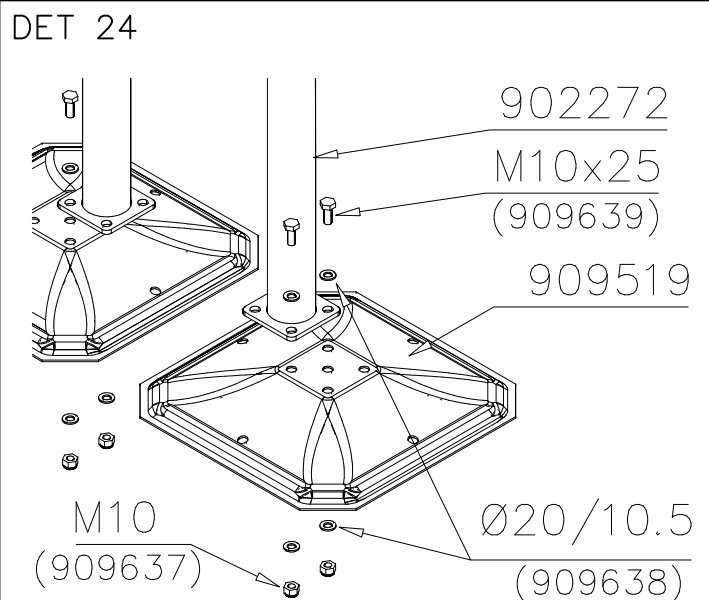
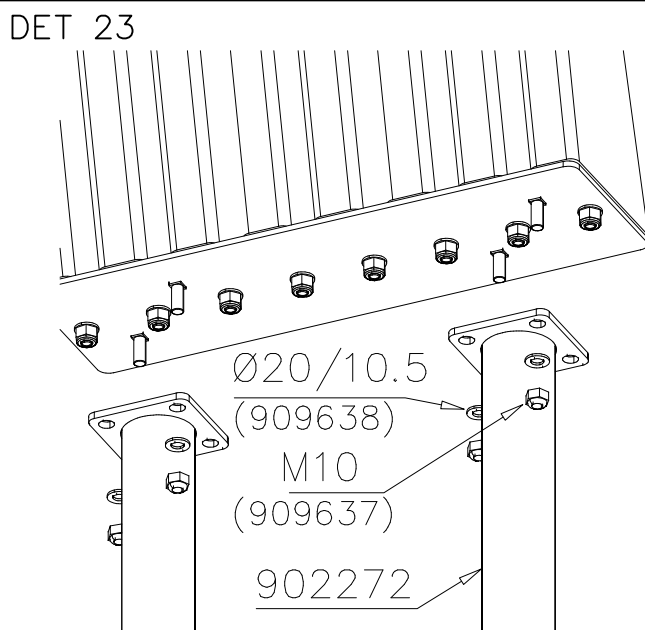
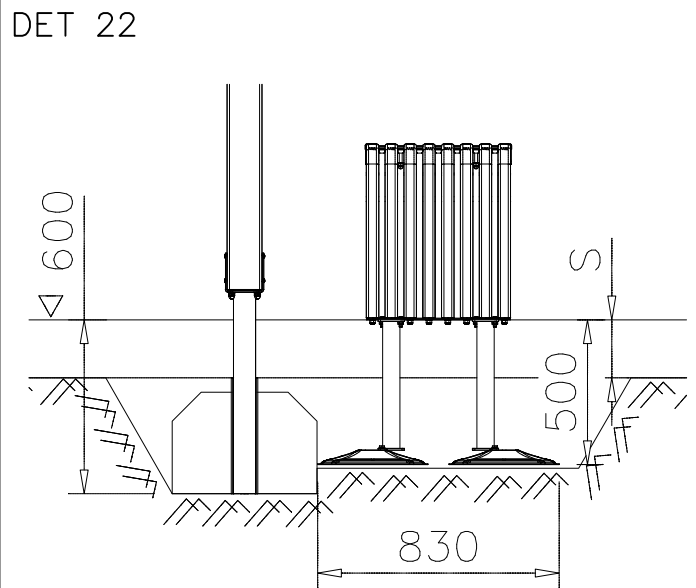
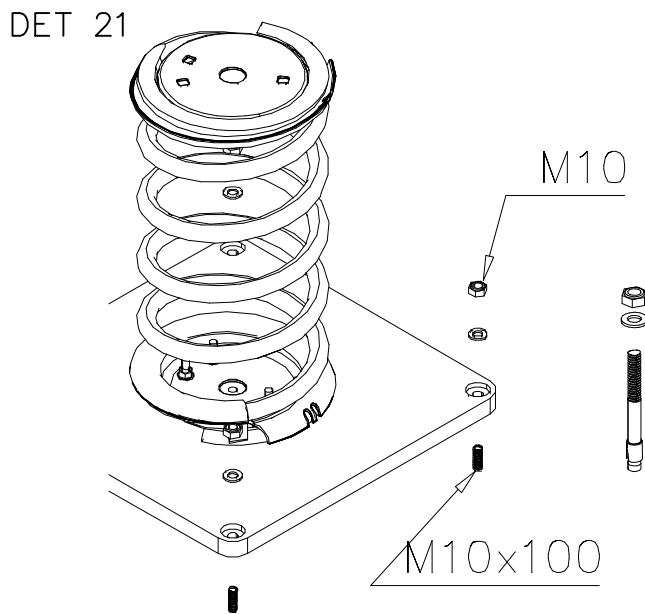
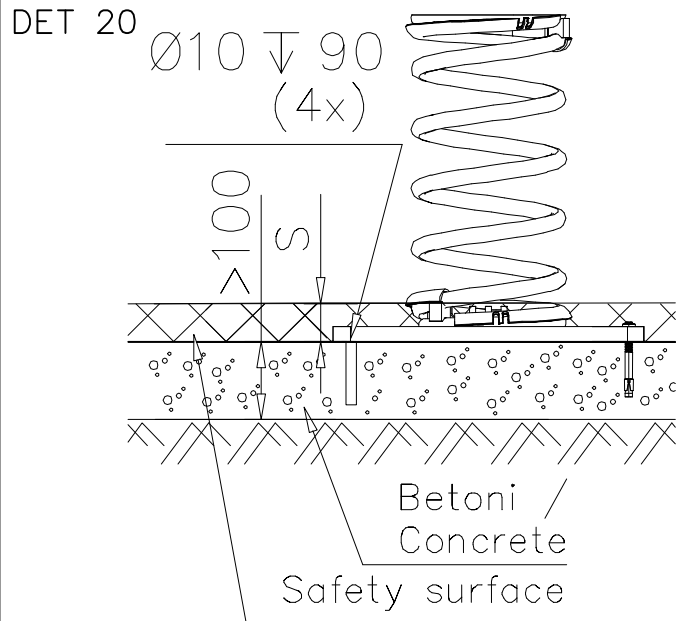
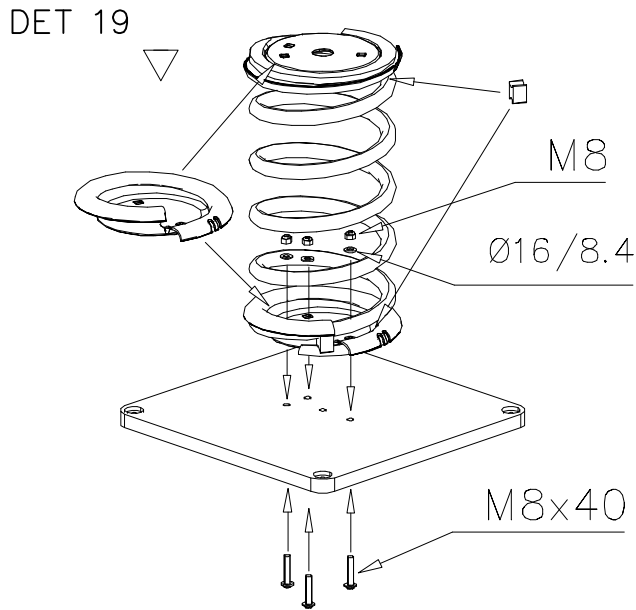


DET 16



DET 17

DET 18

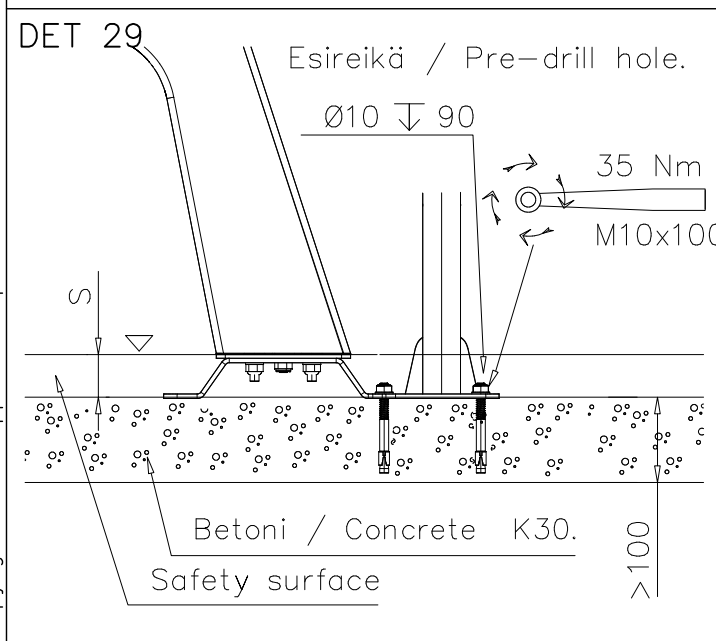
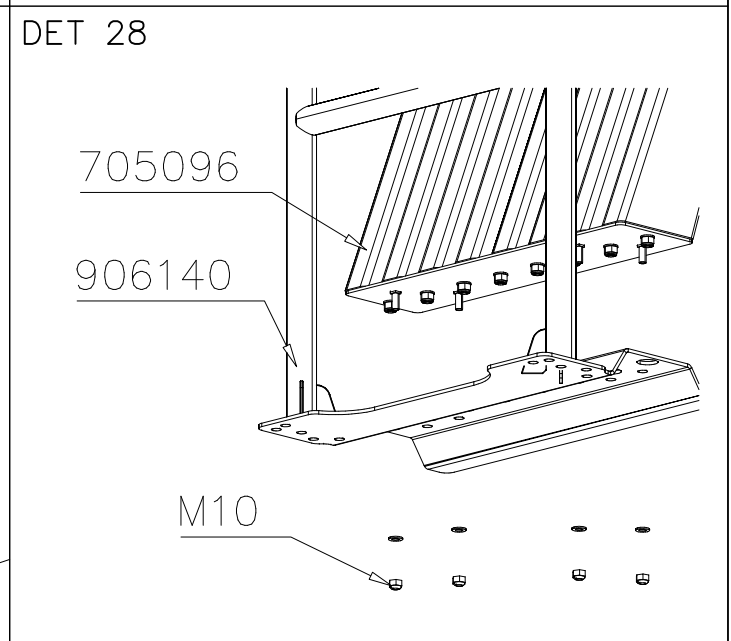
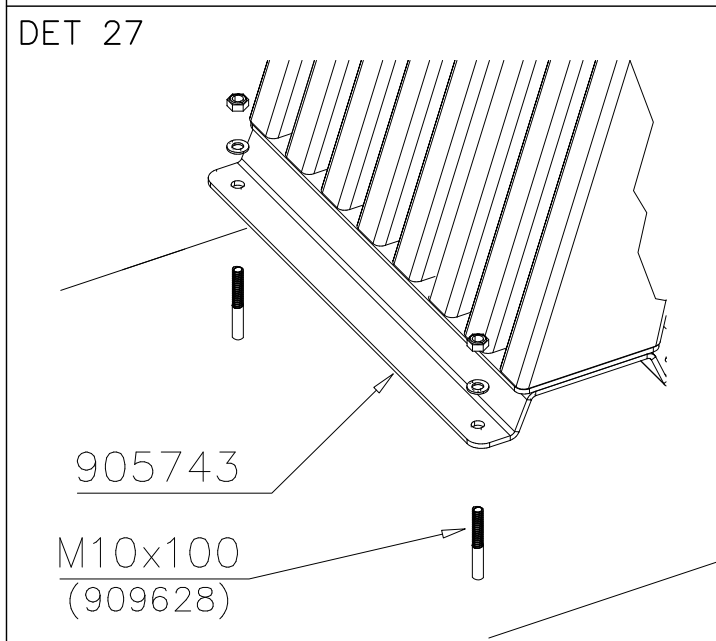
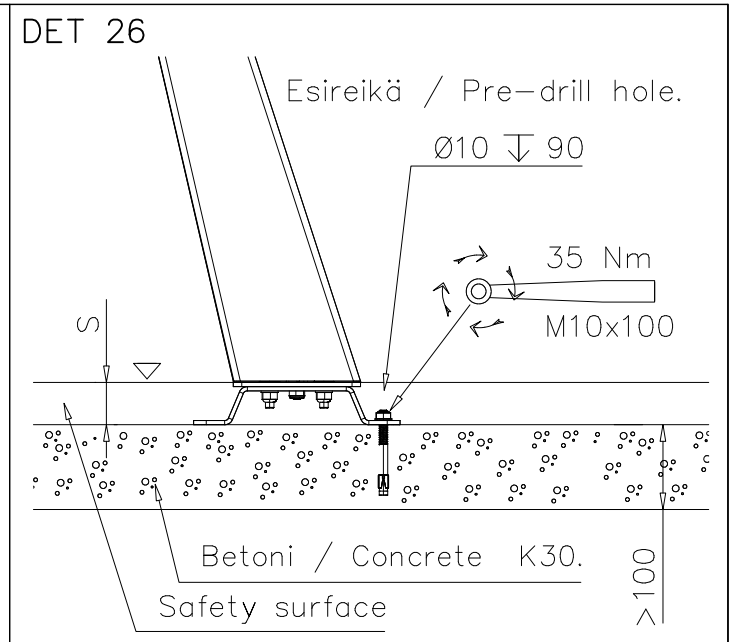
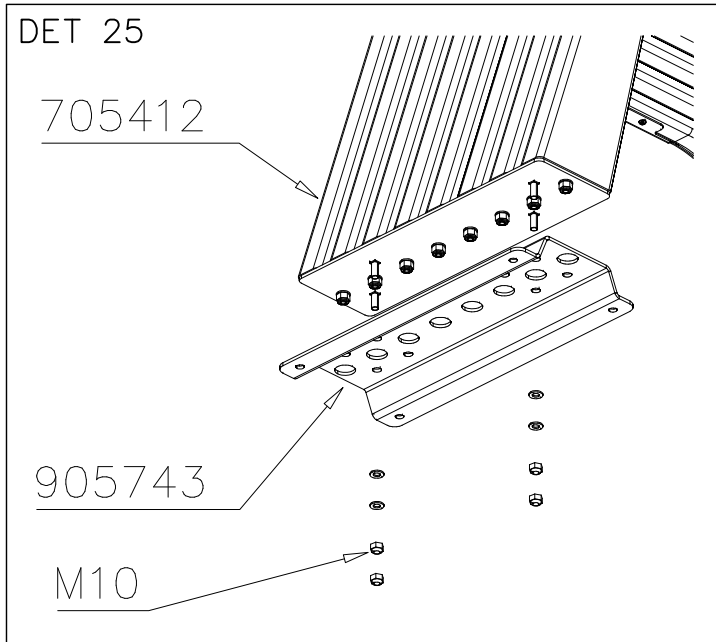


LAPPSET SPORT

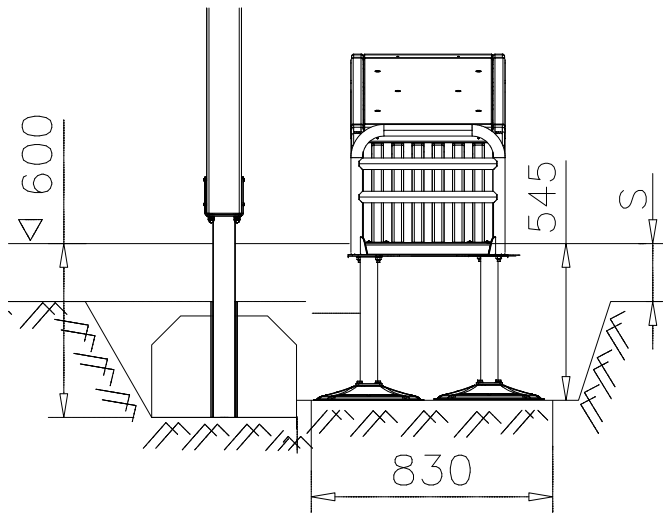
BASE

DATE: 29.4.2015

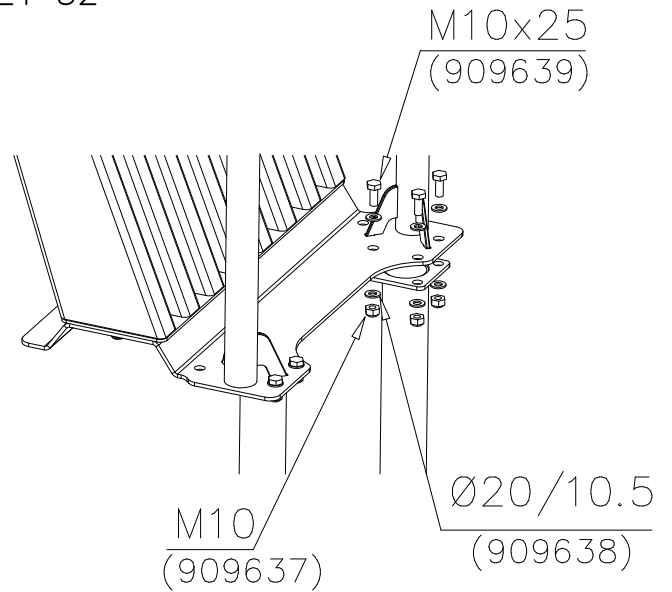
5(10)



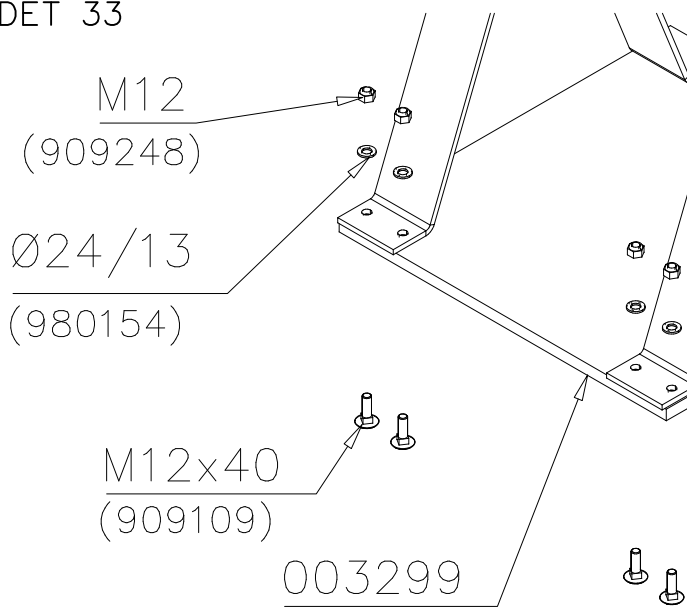
DET 31



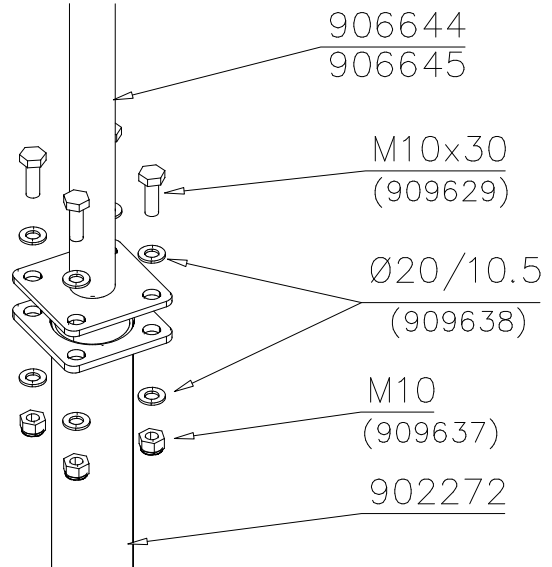
DET 32



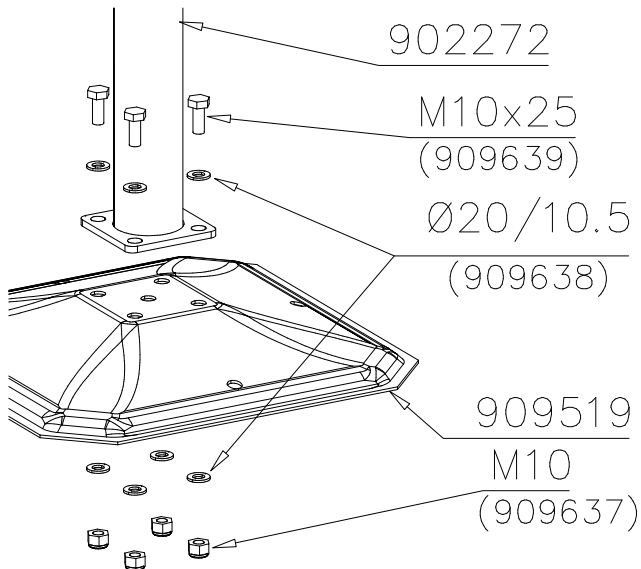
DET 33



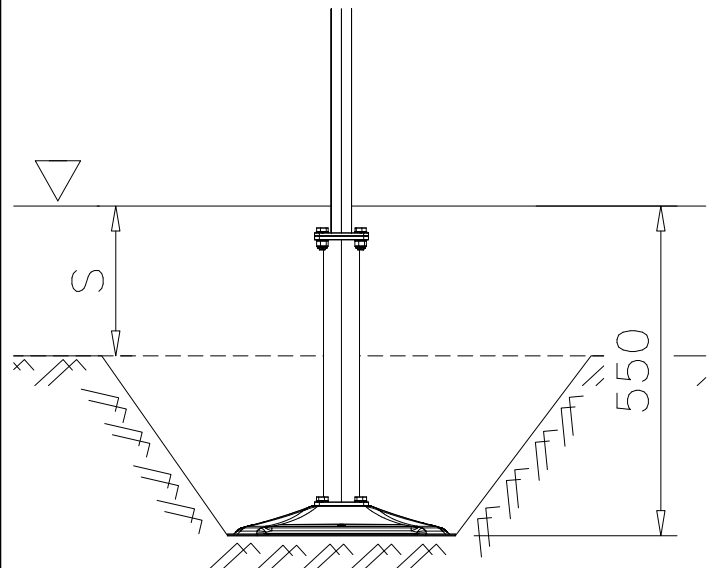
DET 34



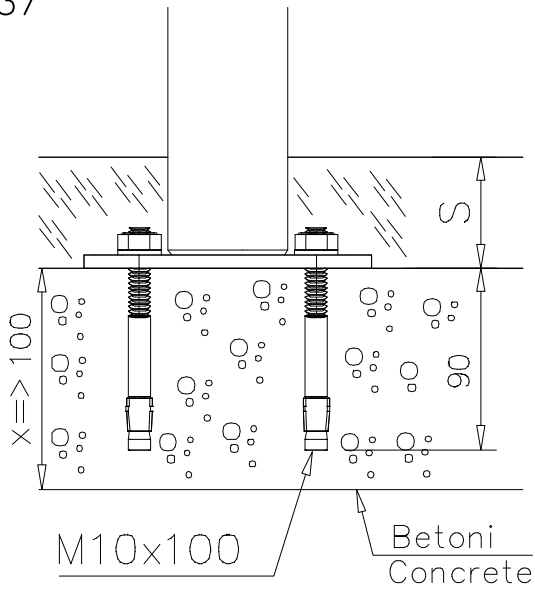
DET 35



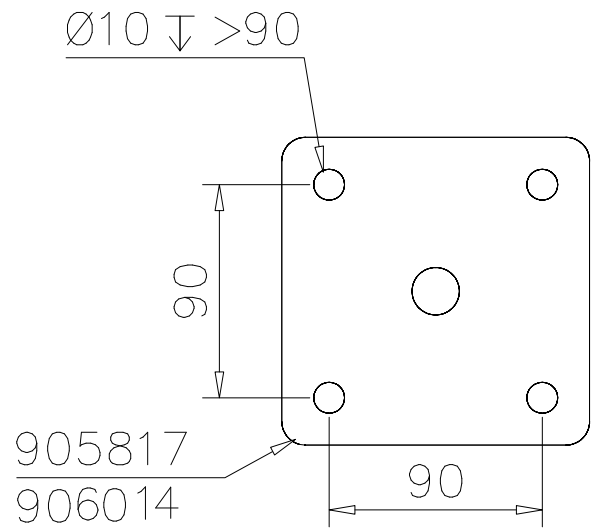
DET 36



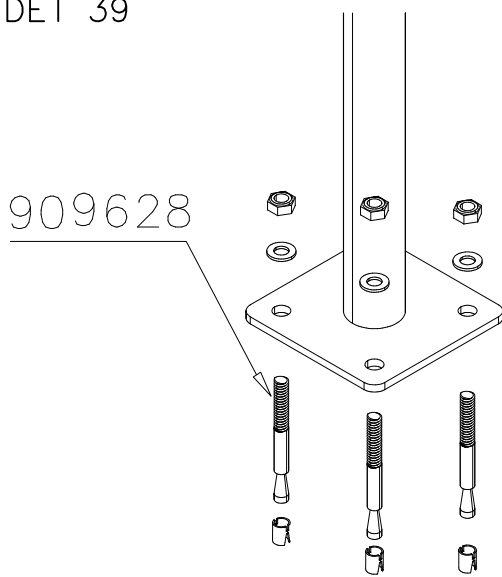
DET 37



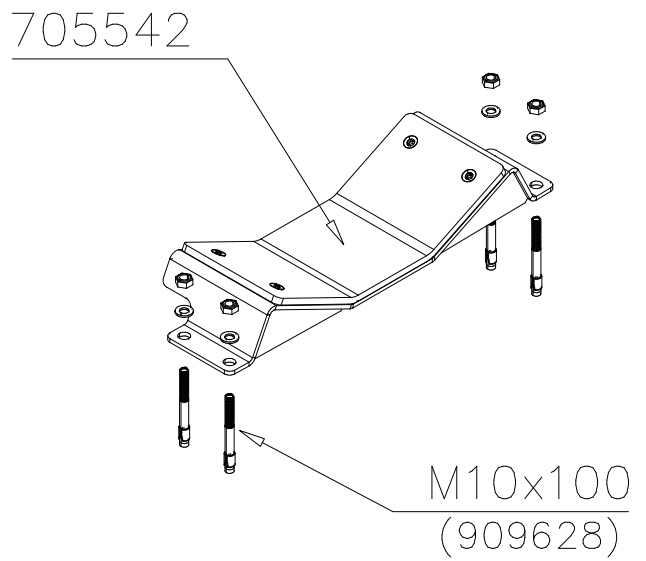
DET 38



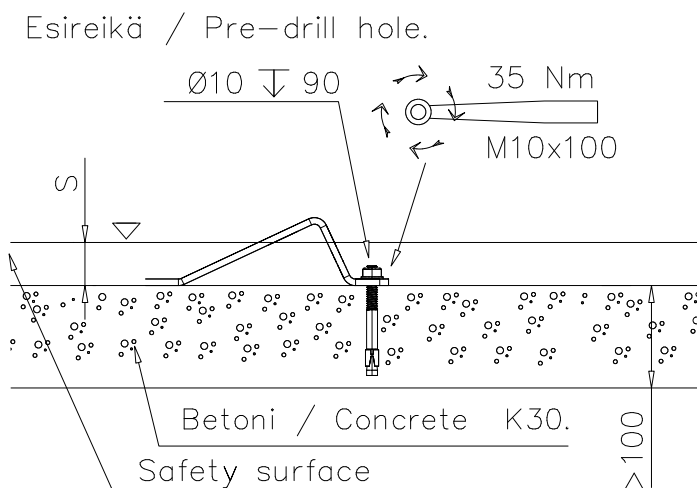
DET 39



DET 40



DET 41



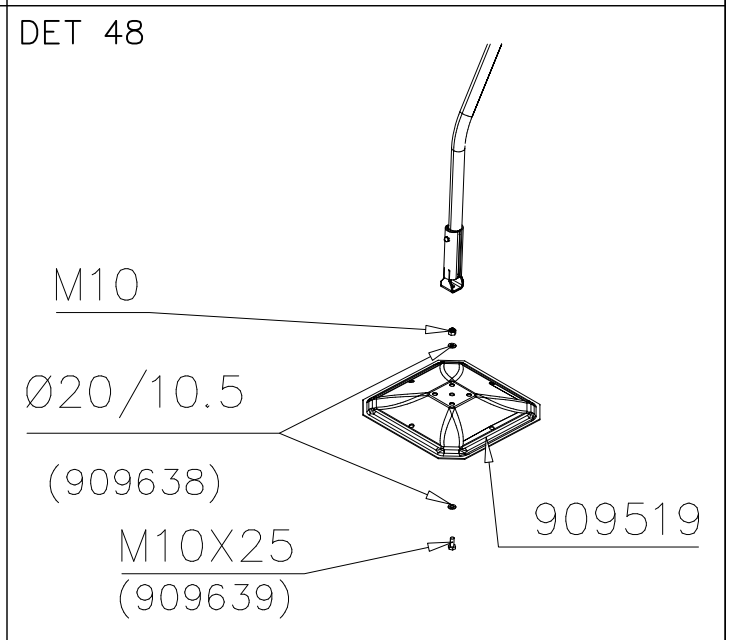
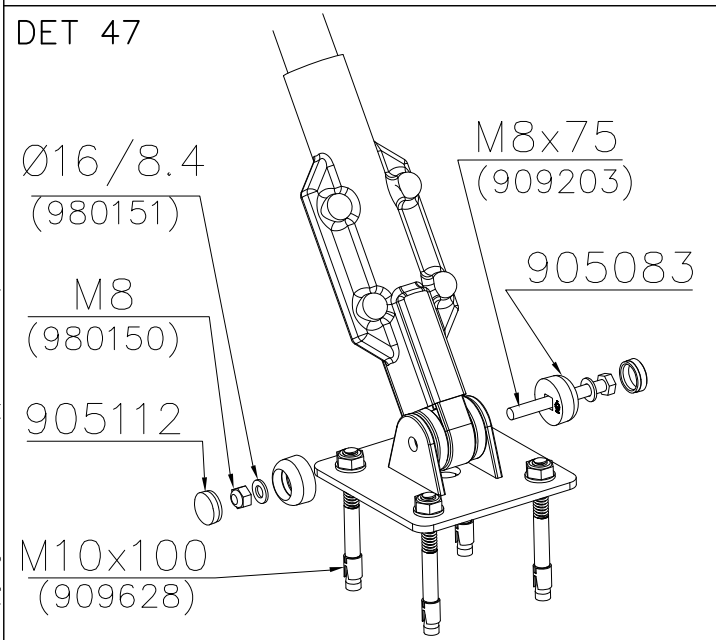
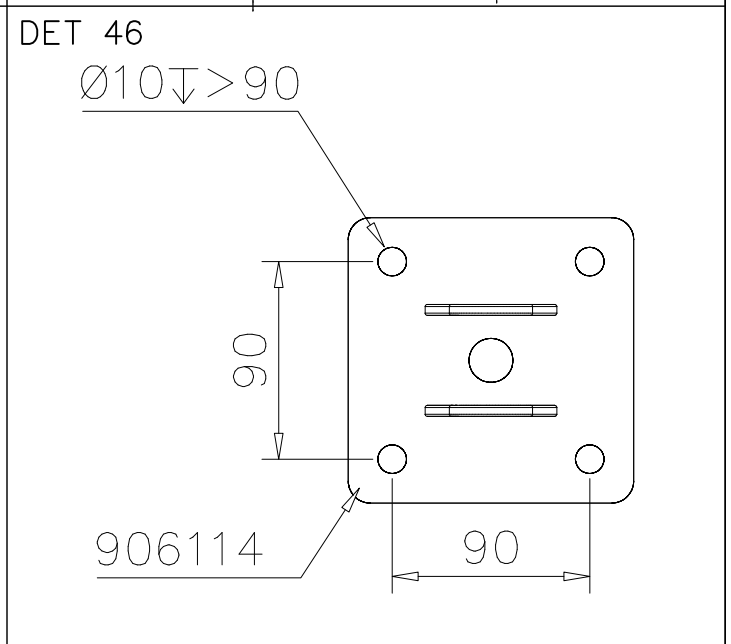
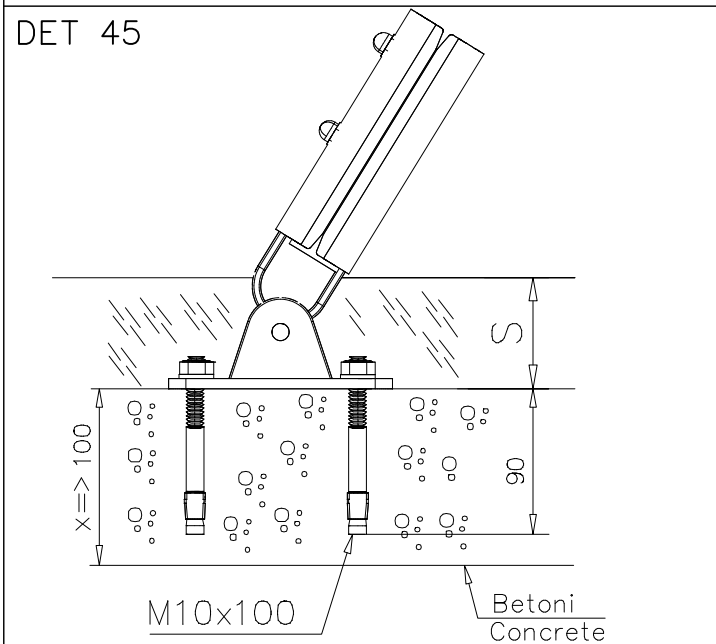
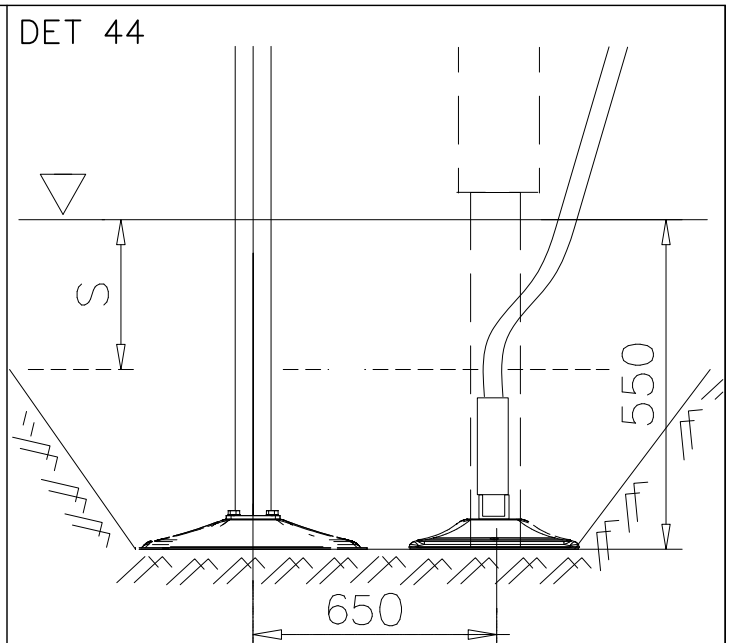
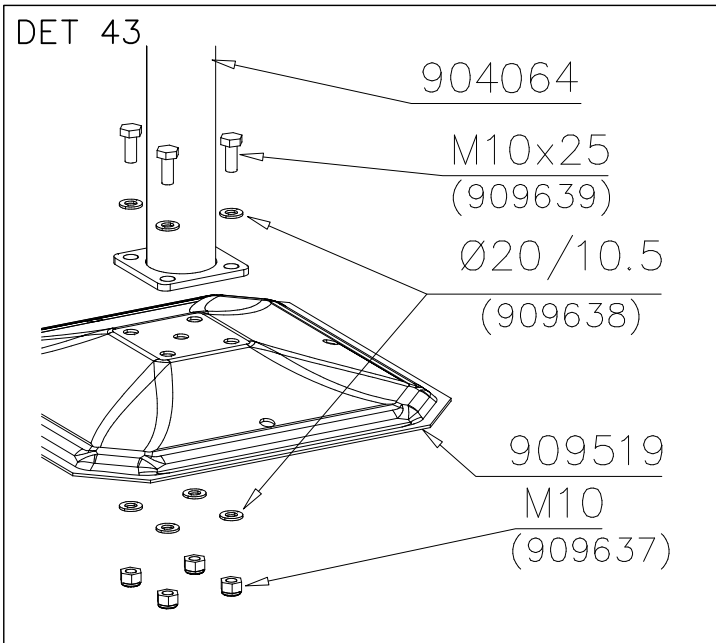
DET 42

LAPPSET SPORT

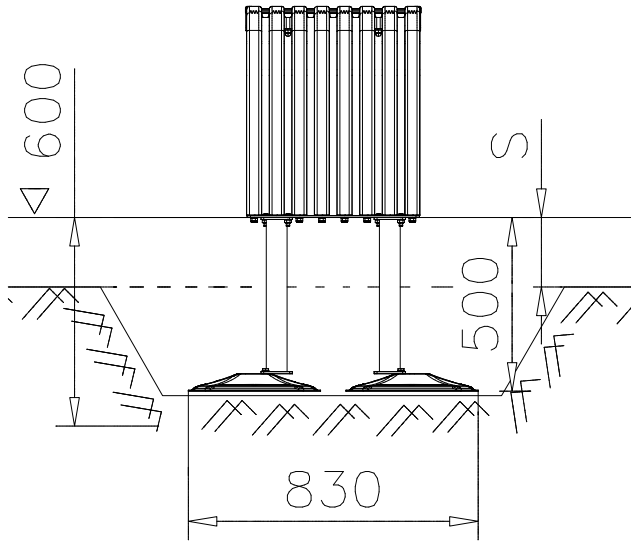
BASE

DATE: 15.8.2017

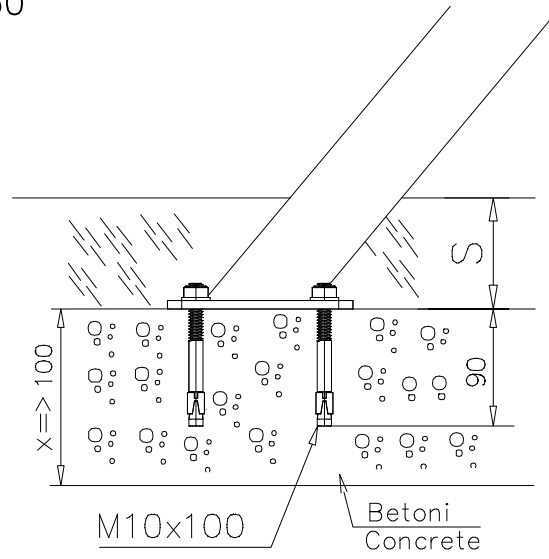
8(10)



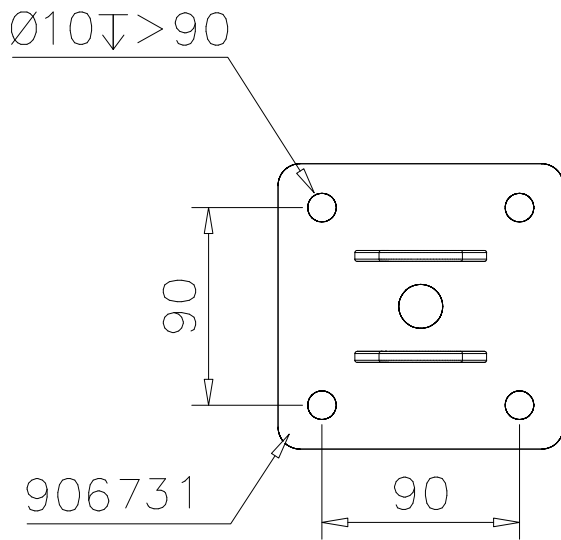
DET 49



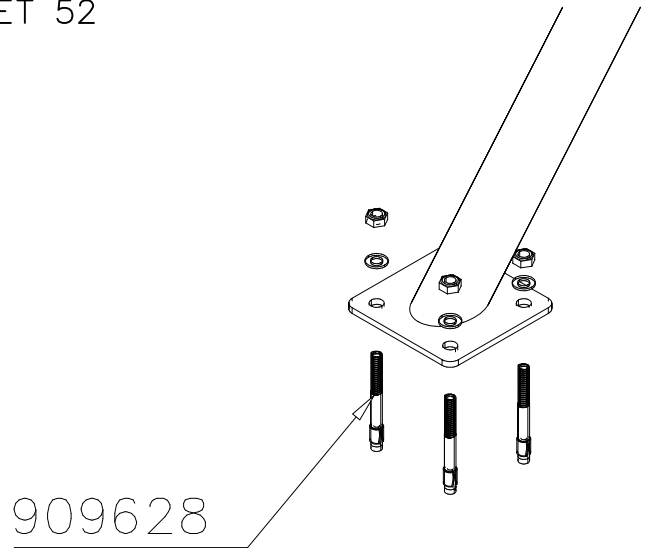
DET 50



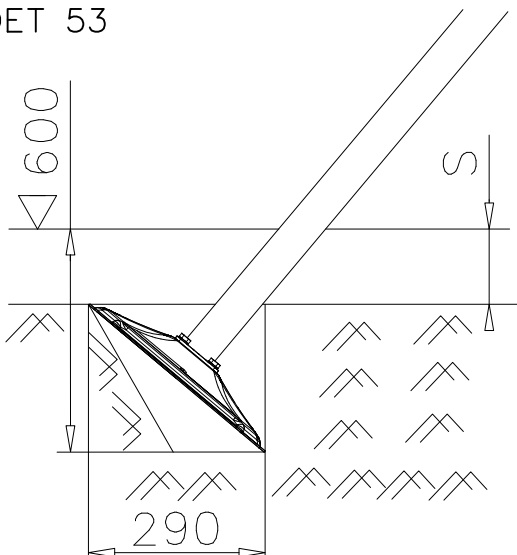
DET 51



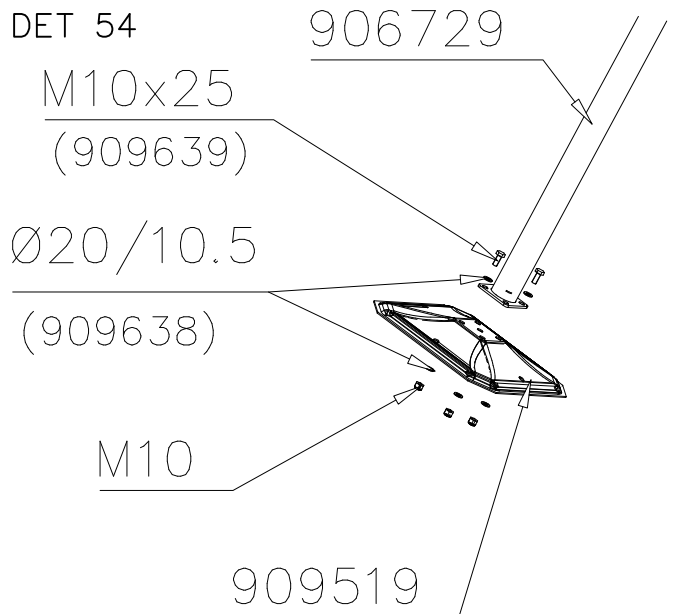
DET 52



DET 53

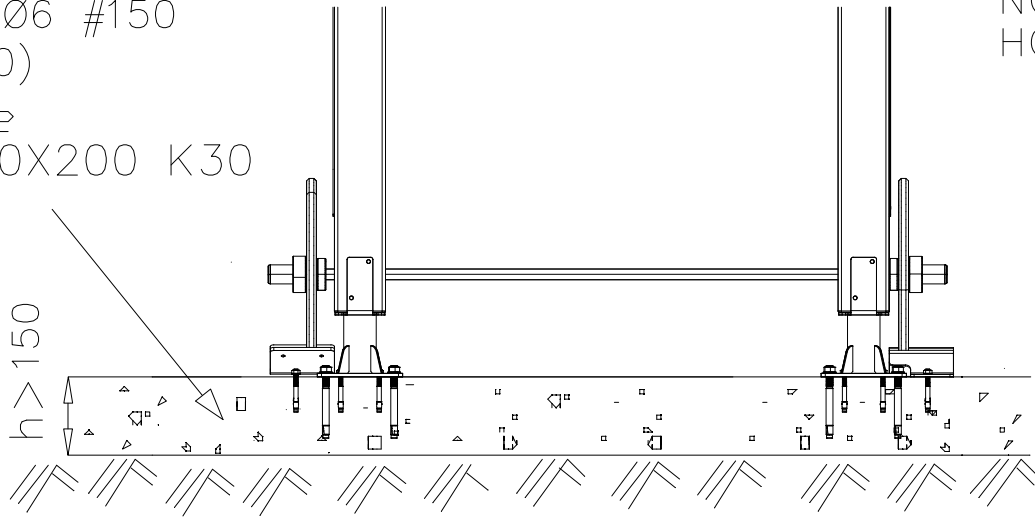


DET 54



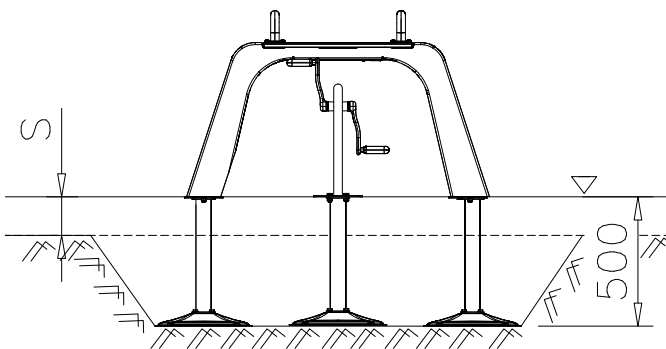
DET 55

STEELNET Ø6 #150
(1400x2100)
Concrete
1500X2200X200 K30

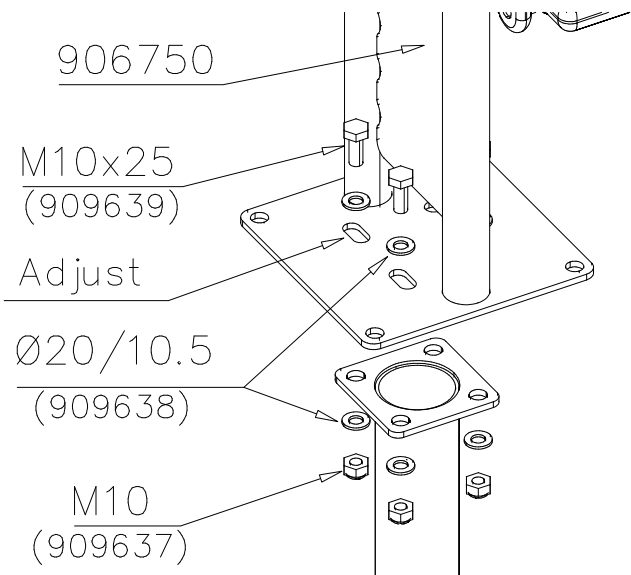


NOTE!
HOX!

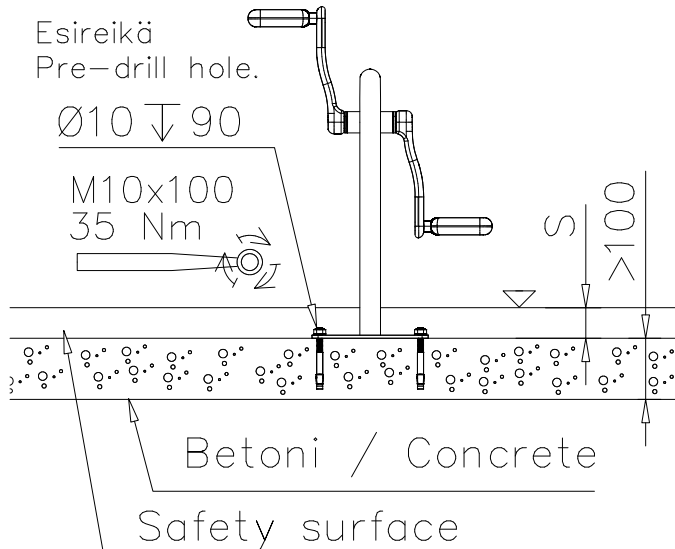
DET 56



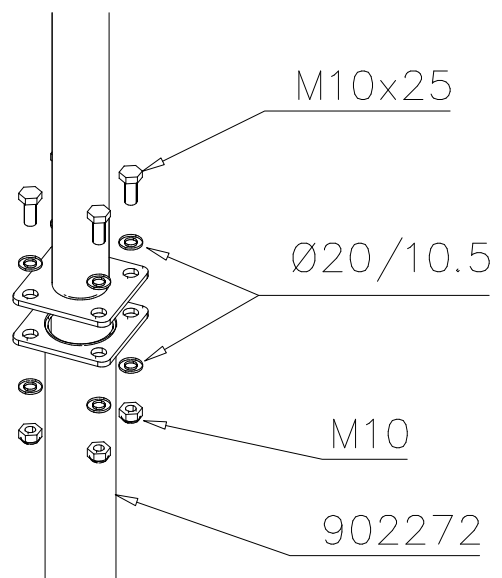
DET 57



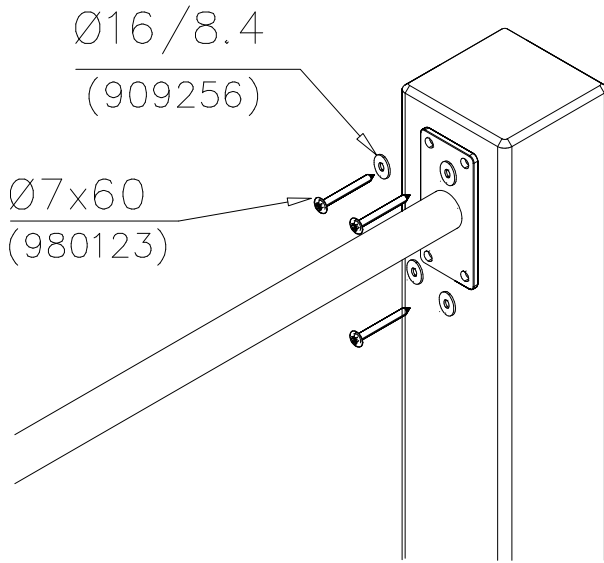
DET 58



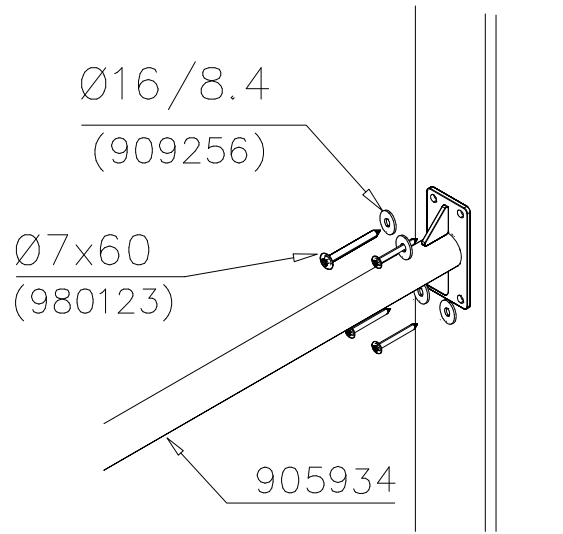
DET 59



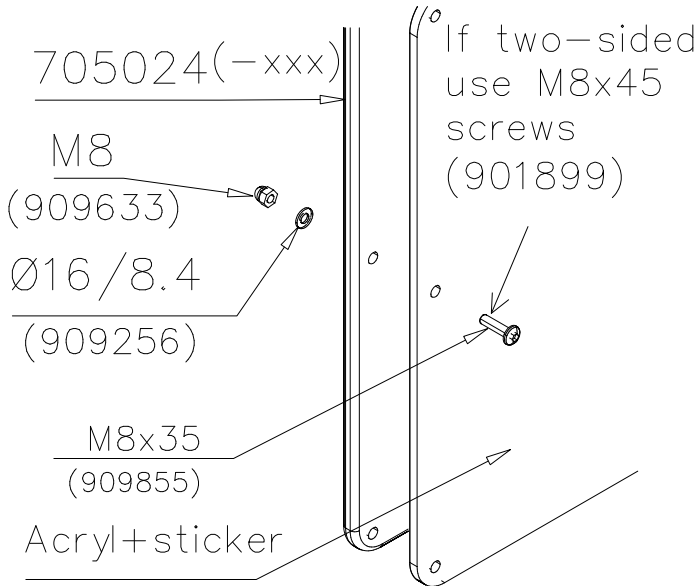
DET 1



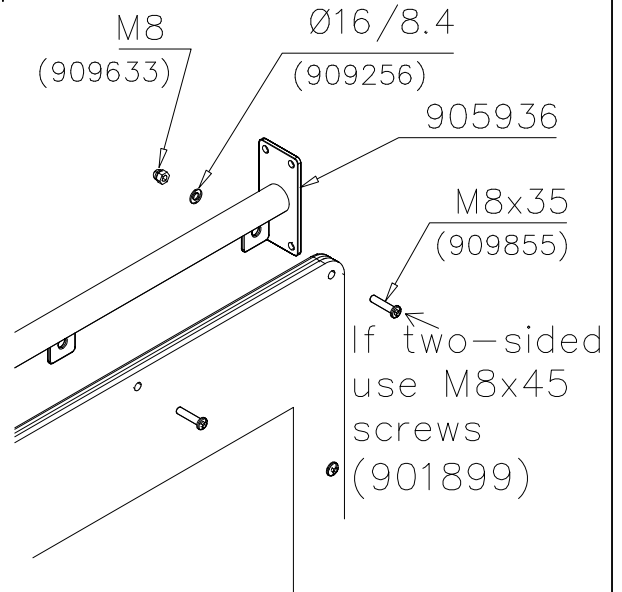
DET 2



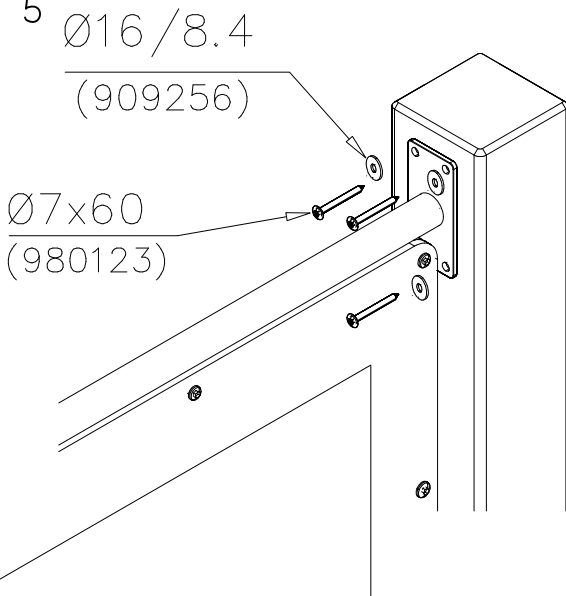
DET 3



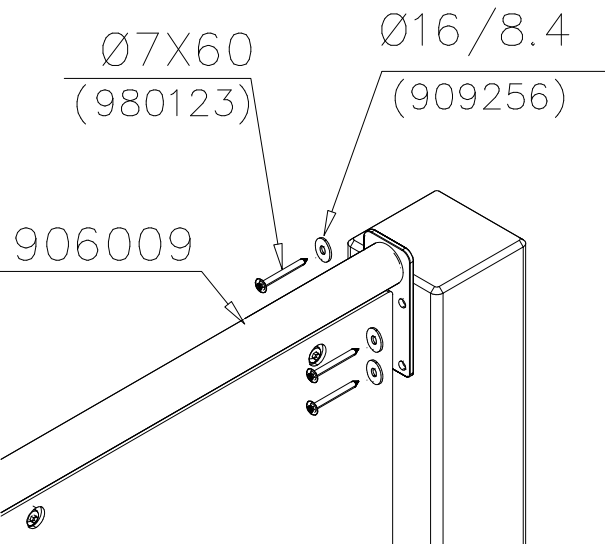
DET 4

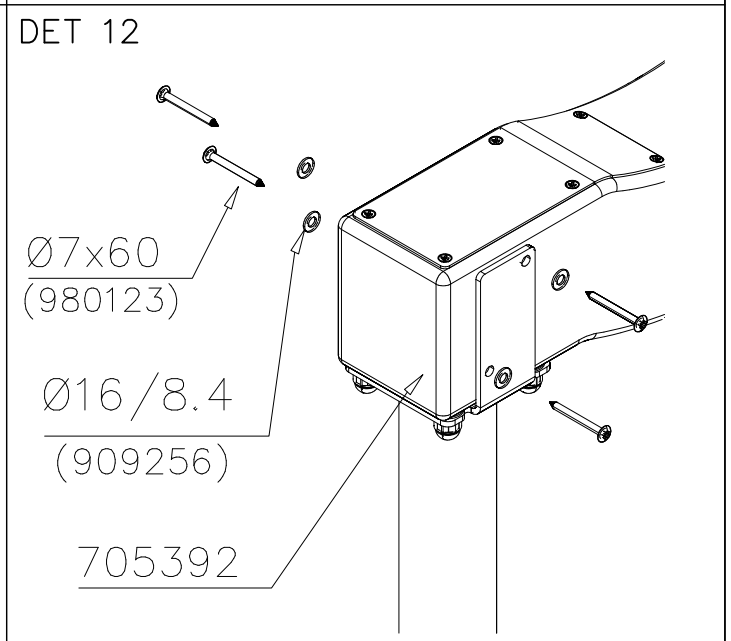
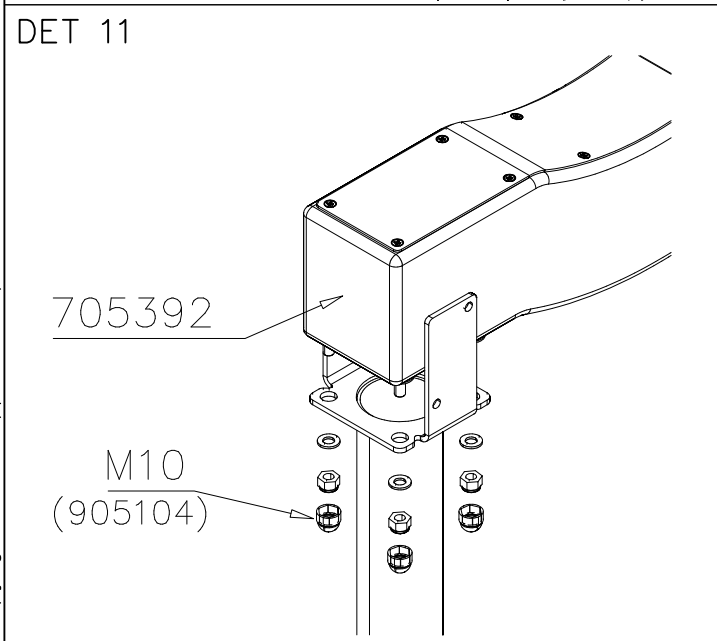
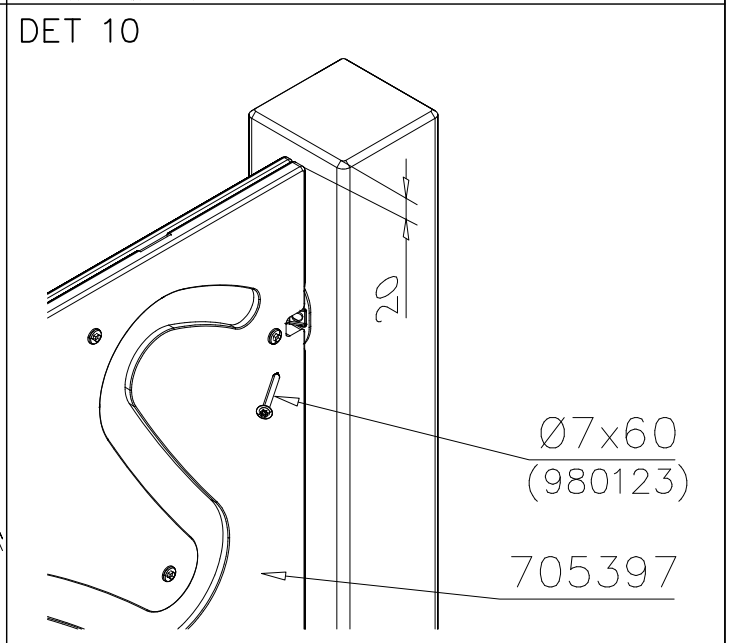
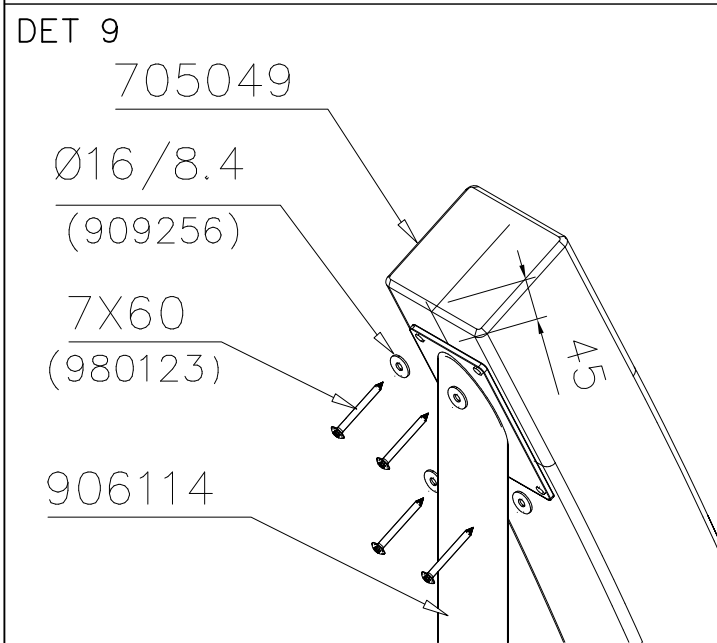
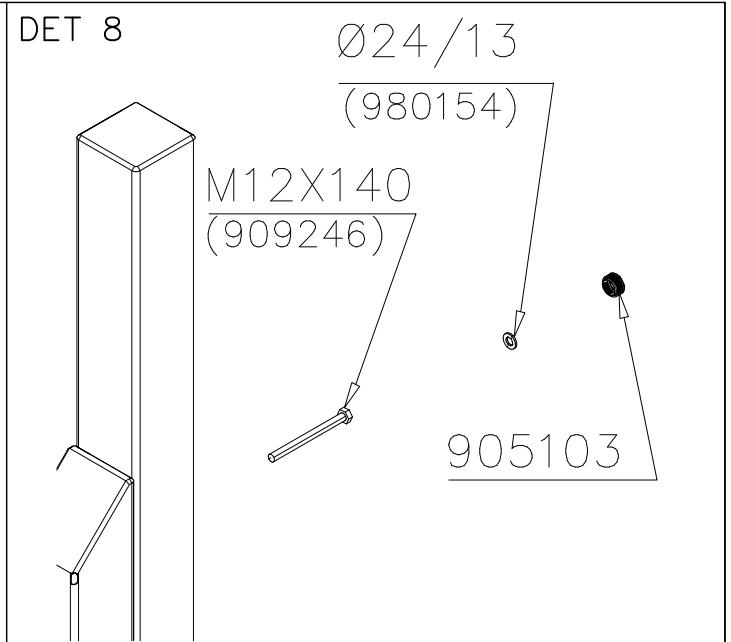
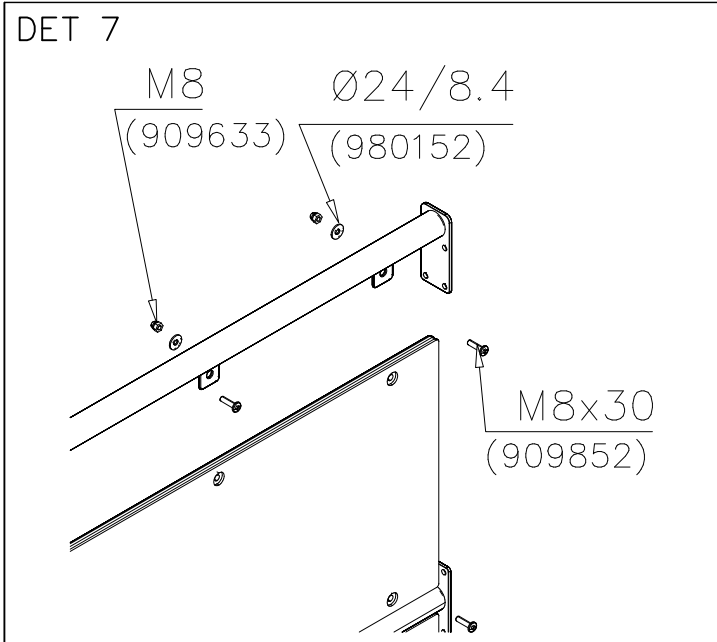


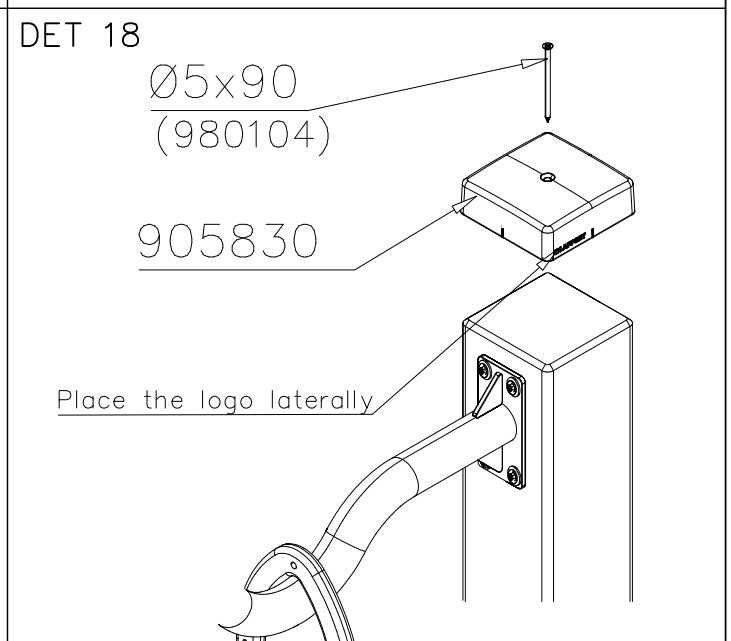
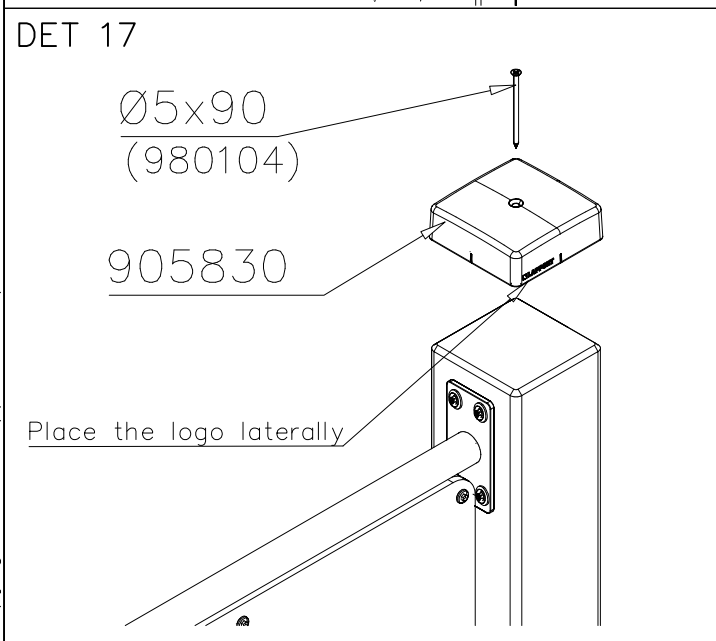
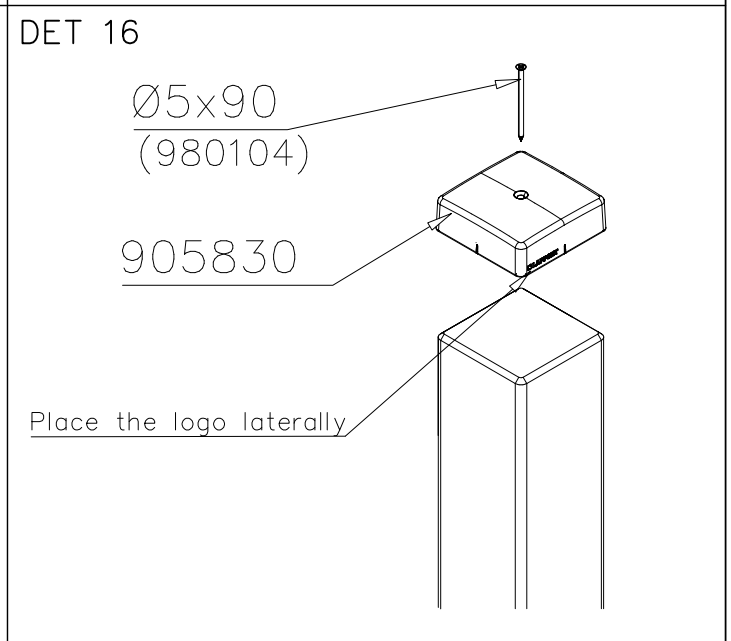
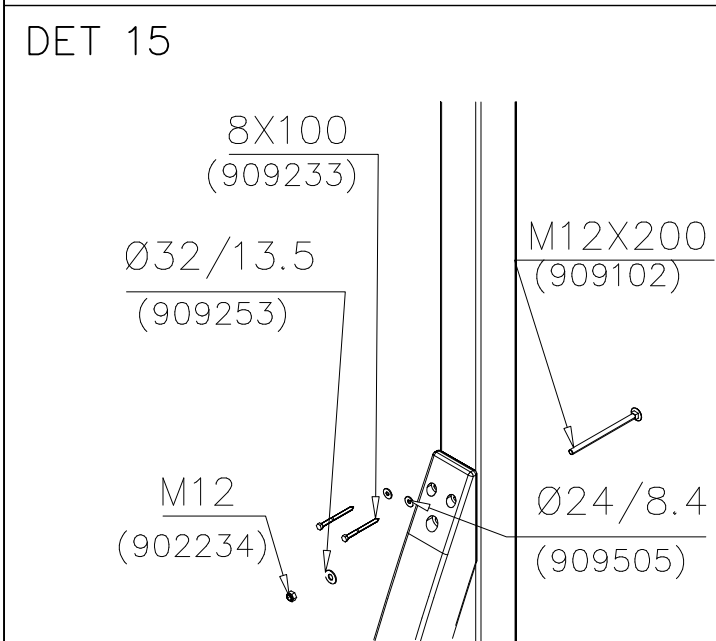
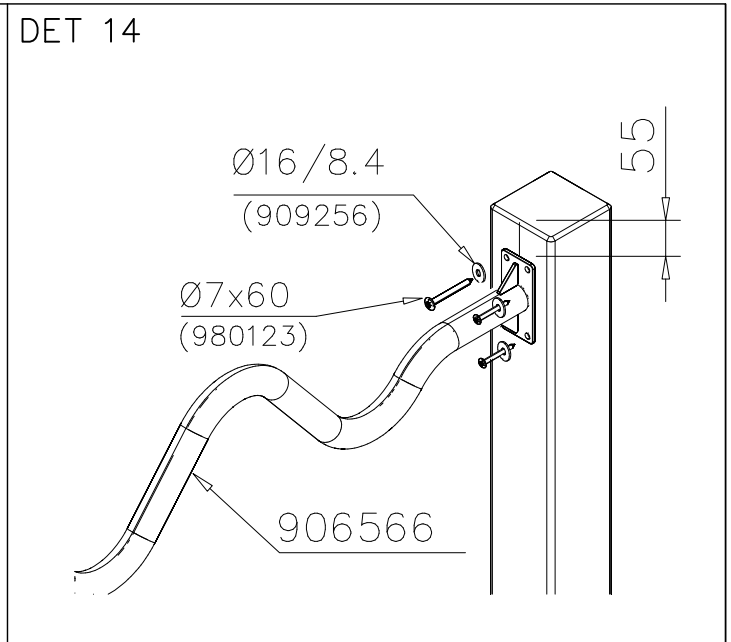
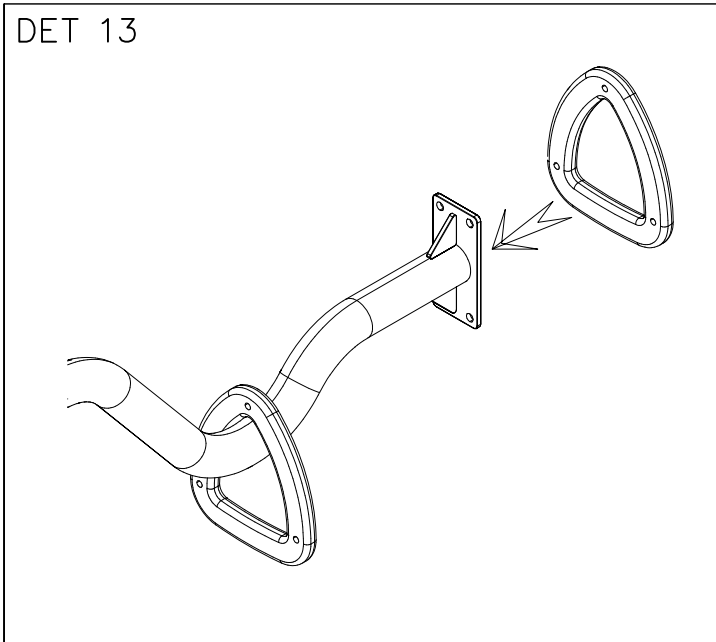
DET 5



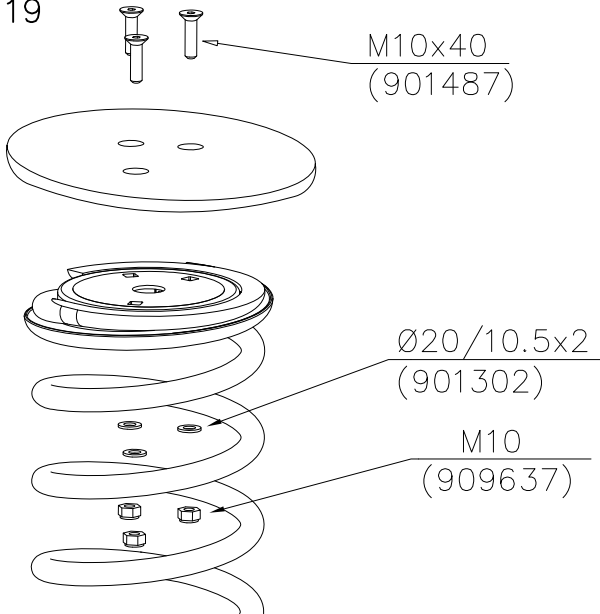
DET 6



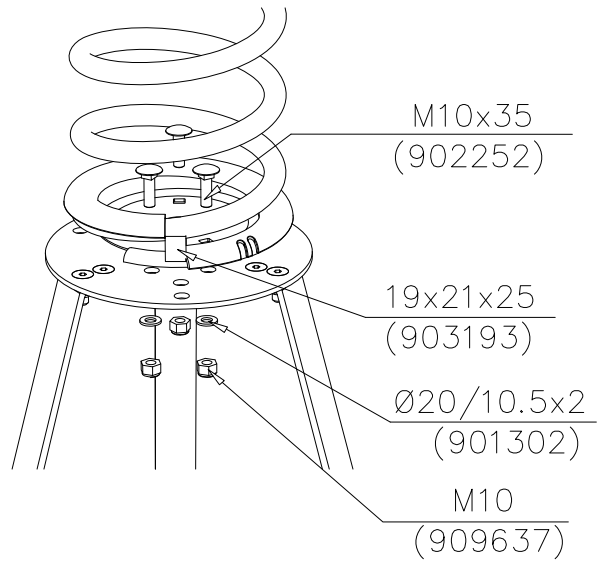




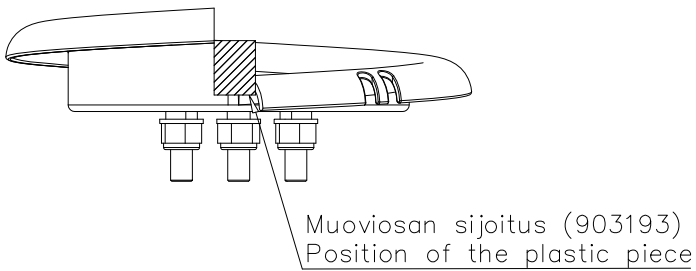
DET 19



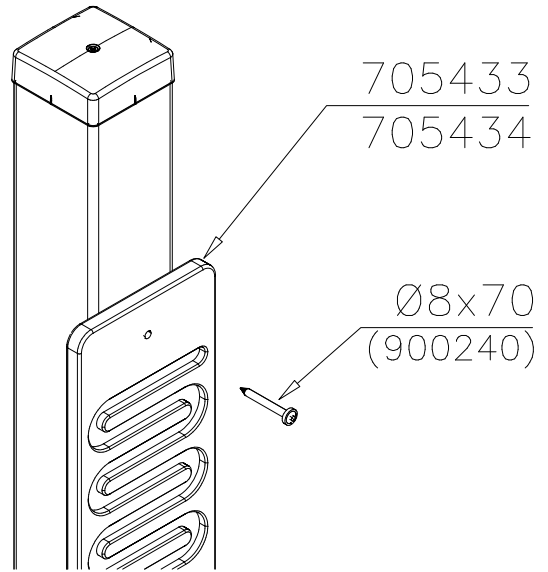
DET 20



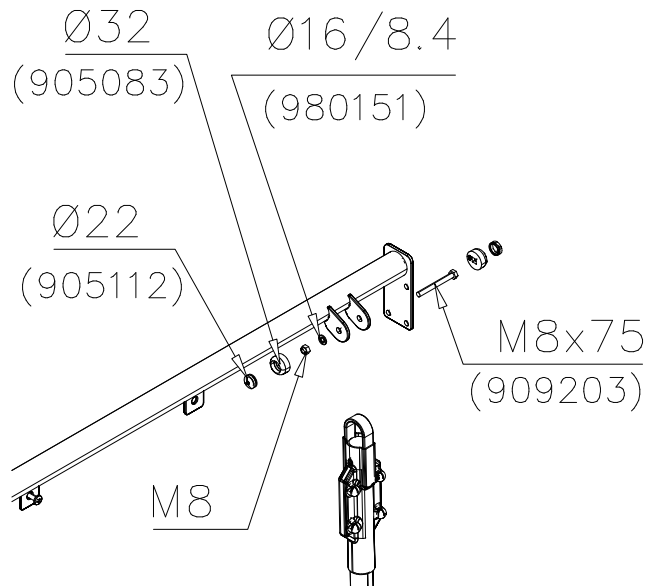
DET 21



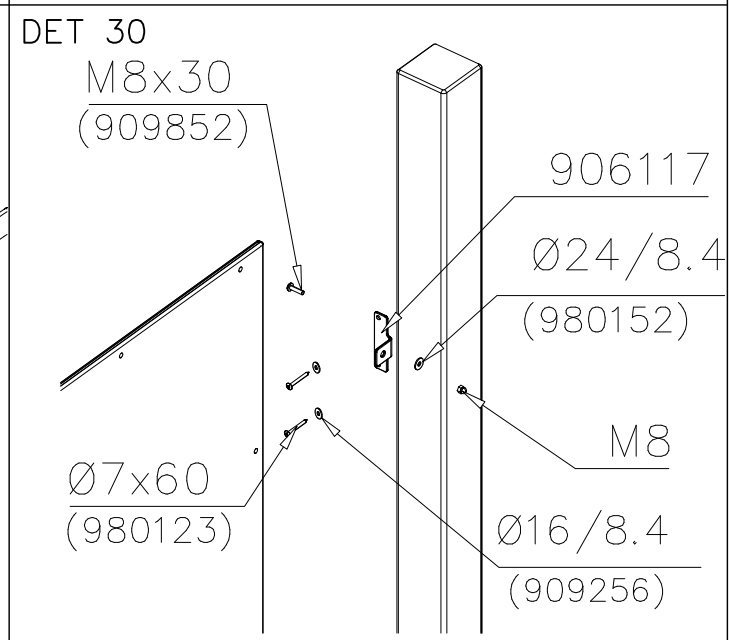
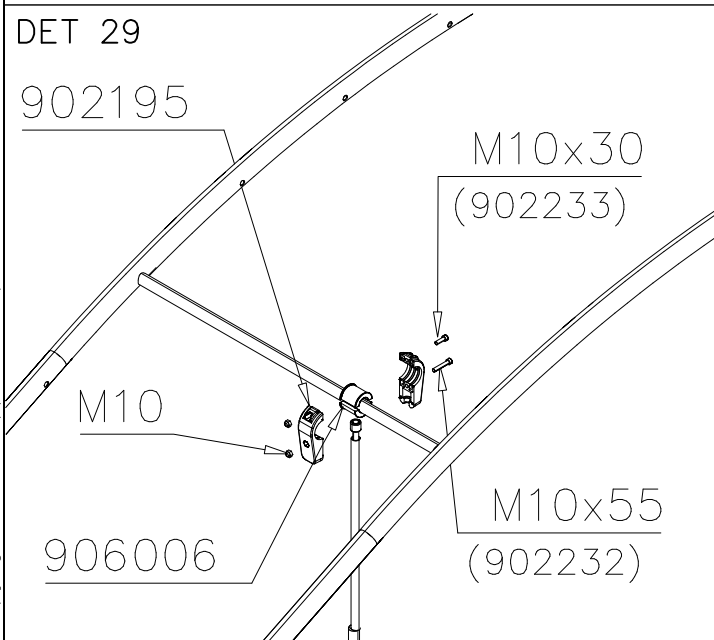
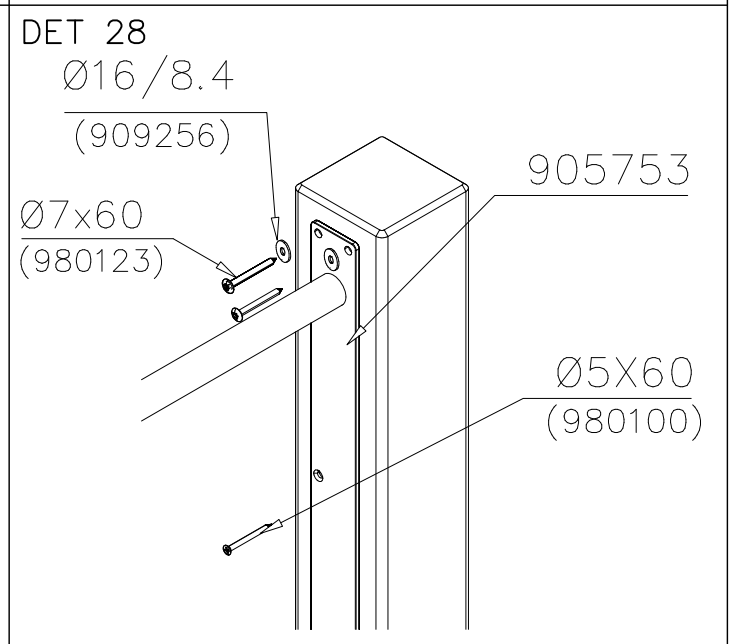
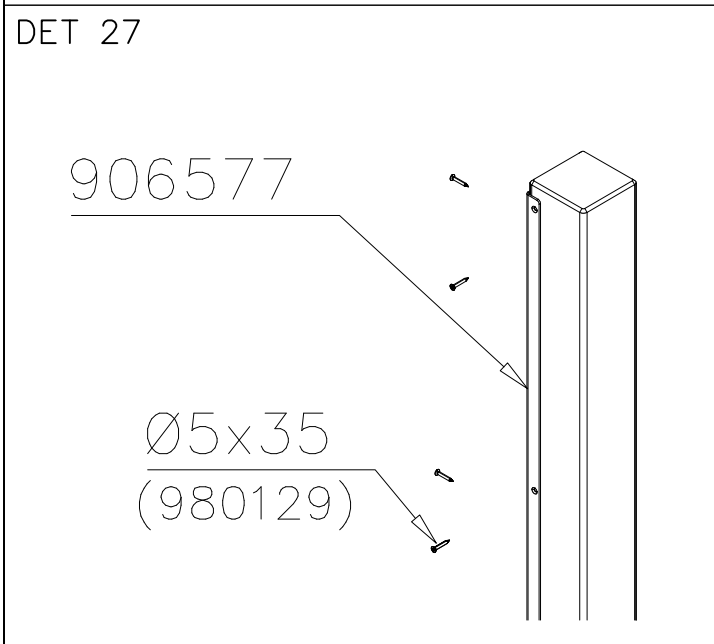
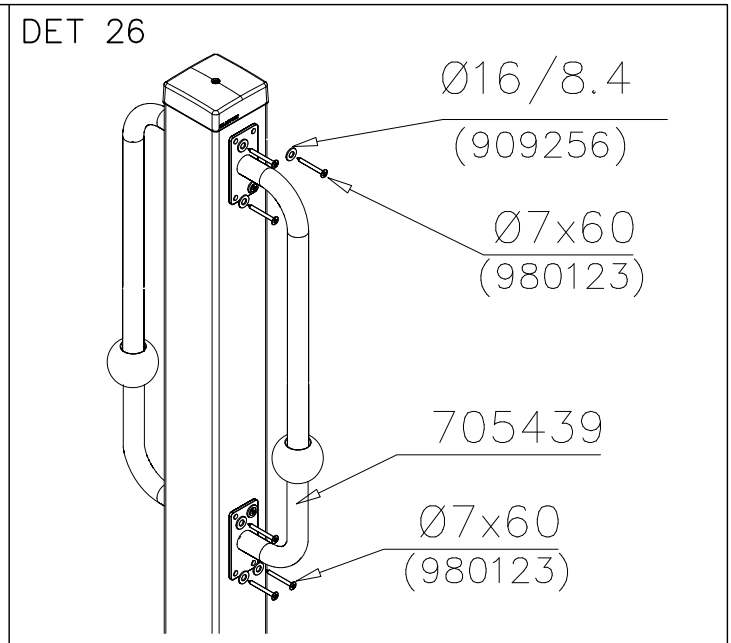
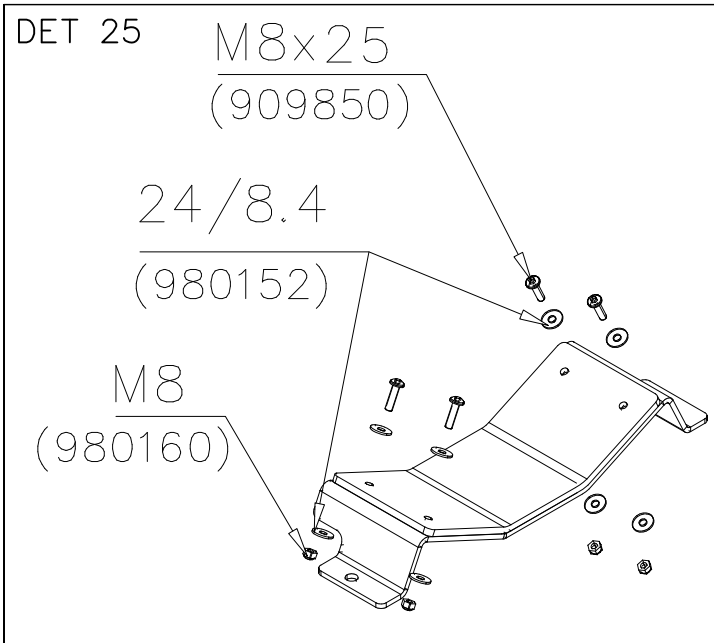
DET 22



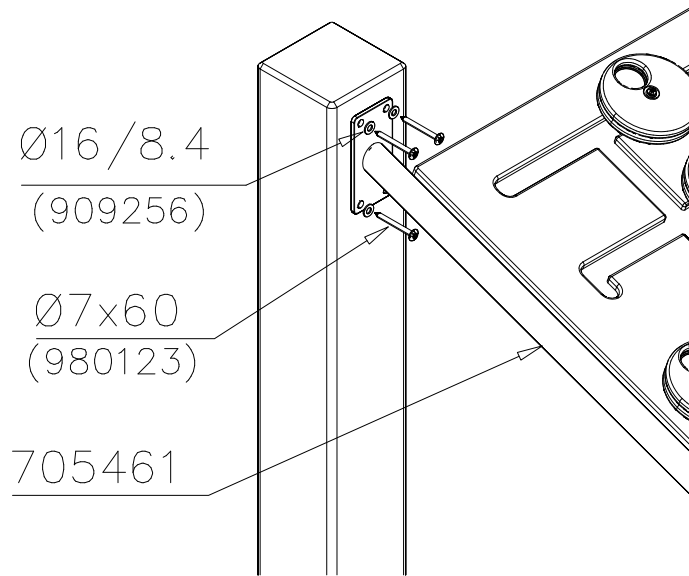
DET 23



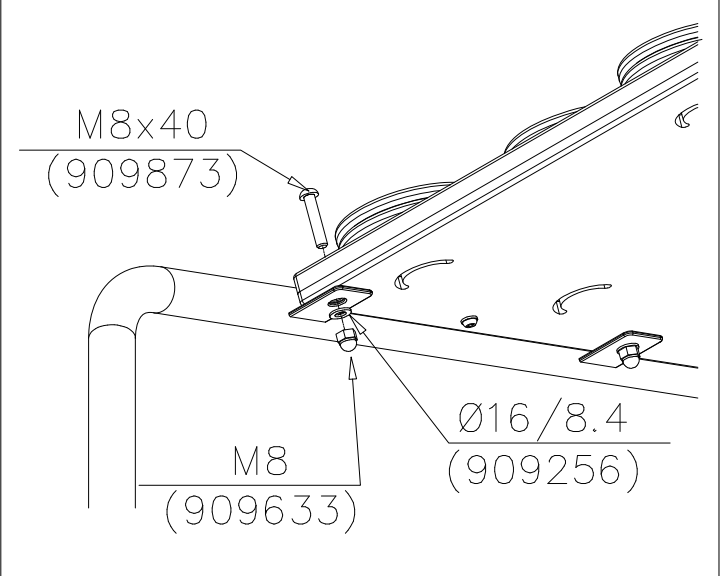
DET 24



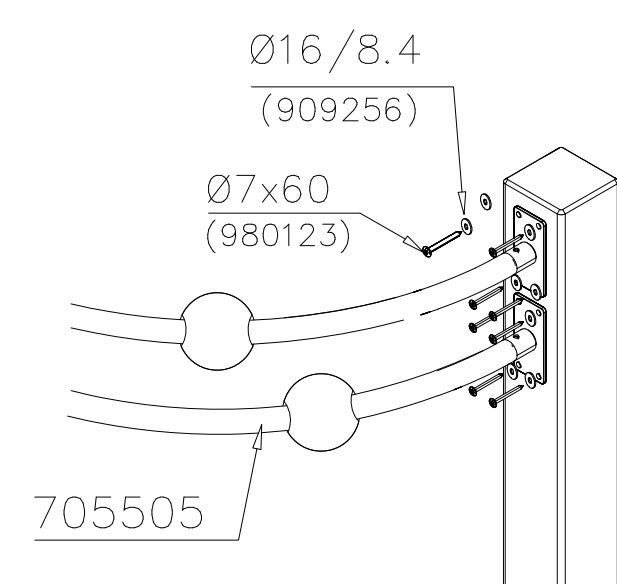
DET 31



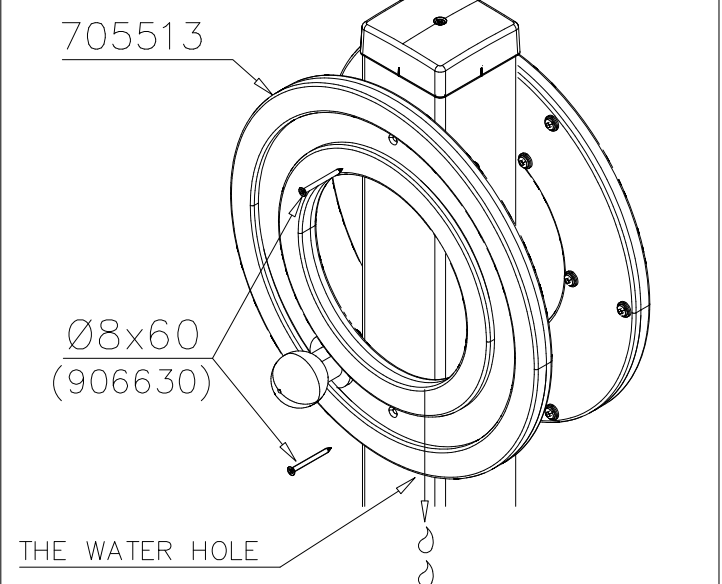
DET 32



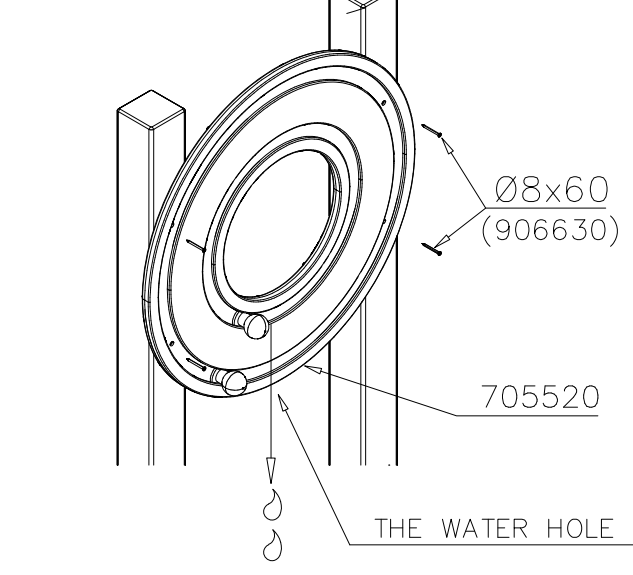
DET 33



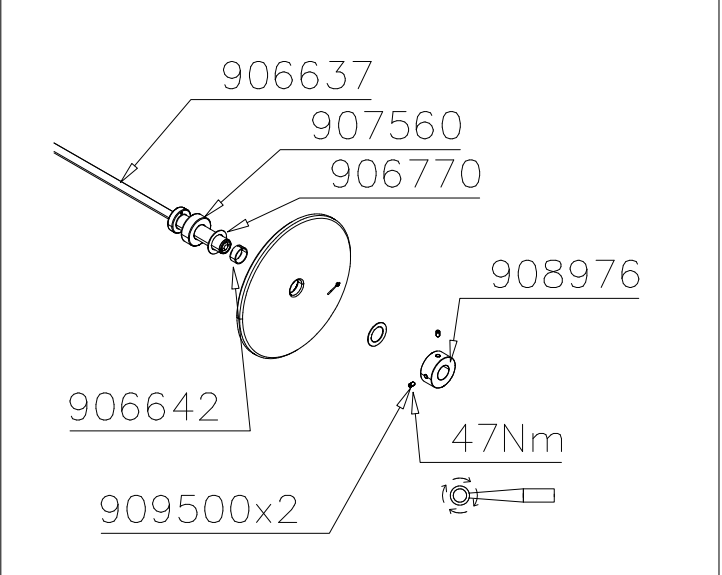
DET 34



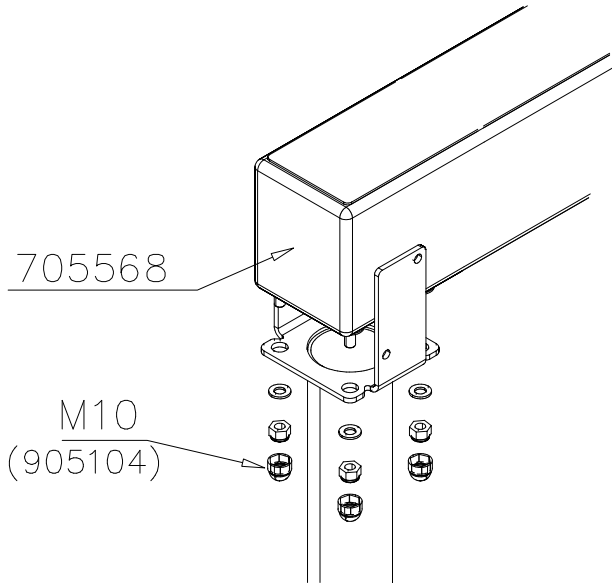
DET 35



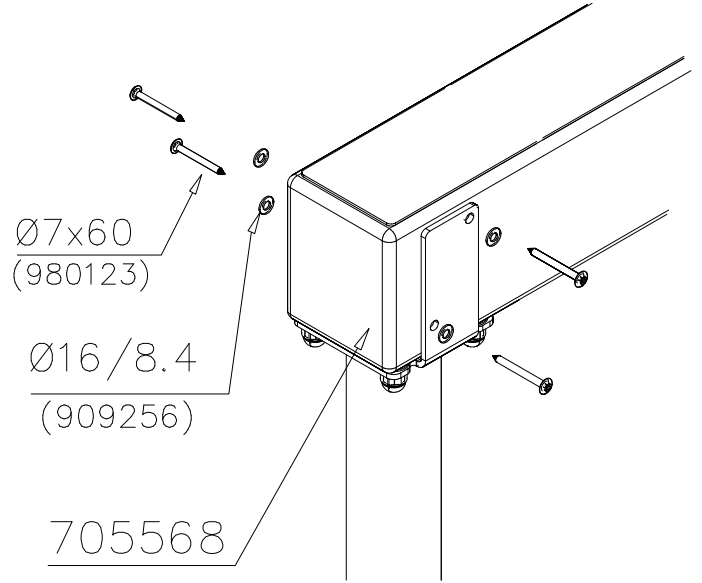
DET 36



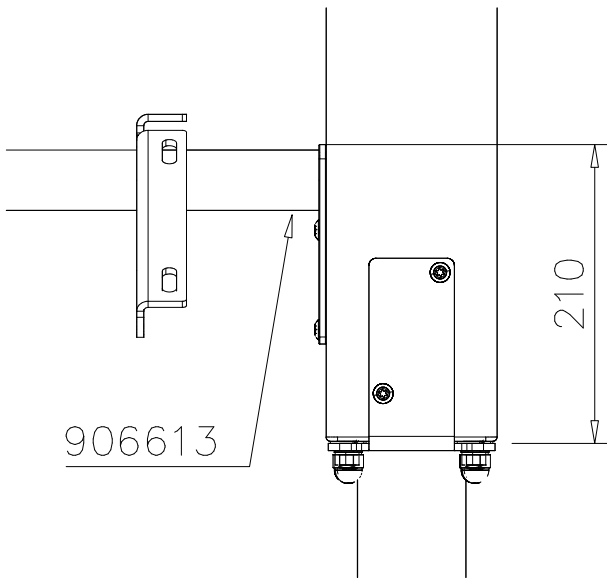
DET 37



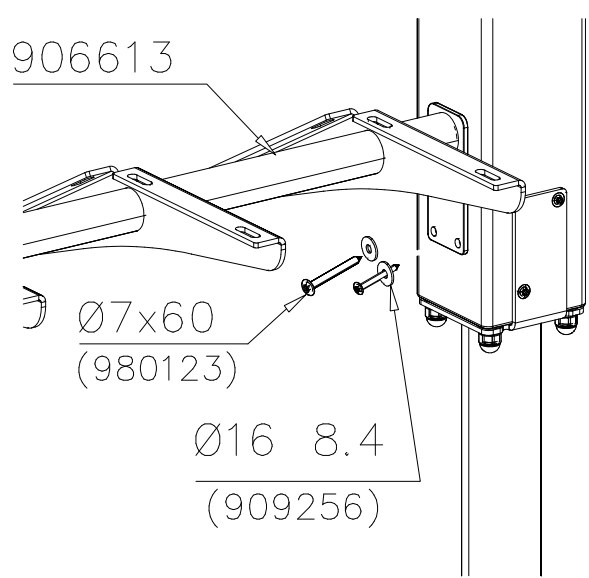
DET 38



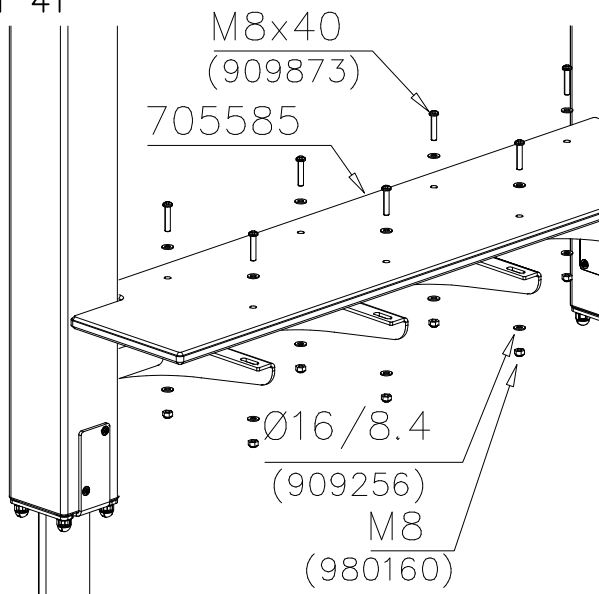
DET 39



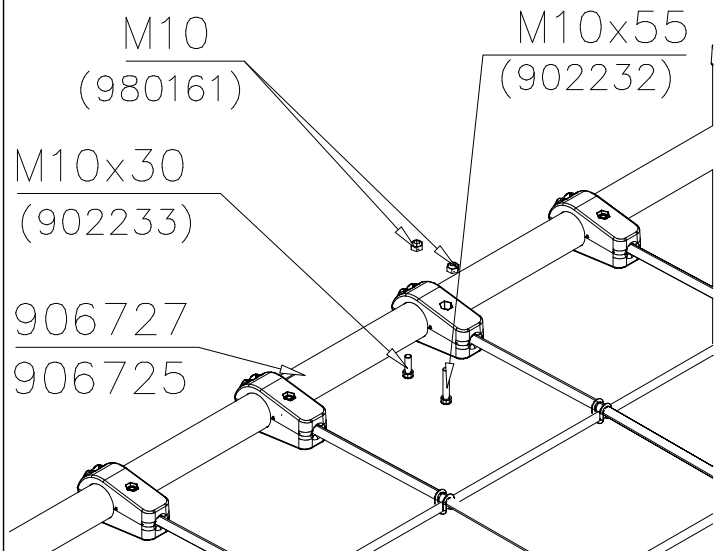
DET 40

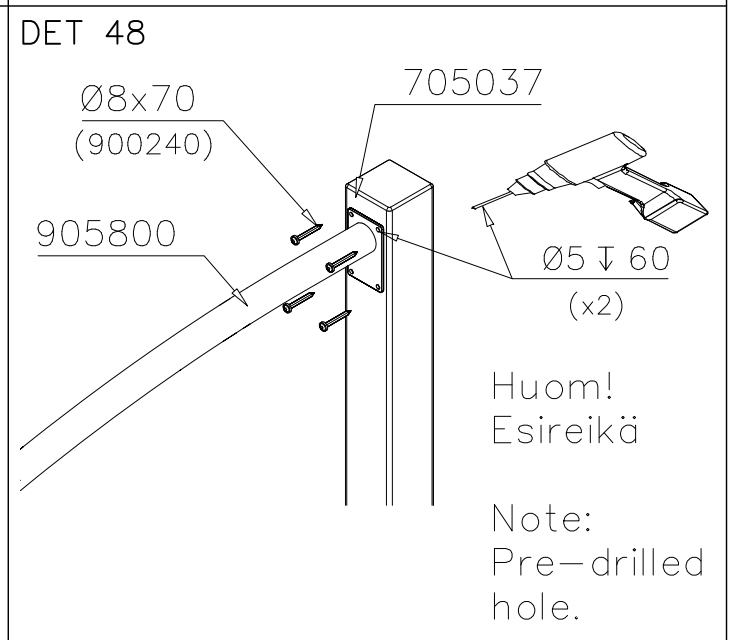
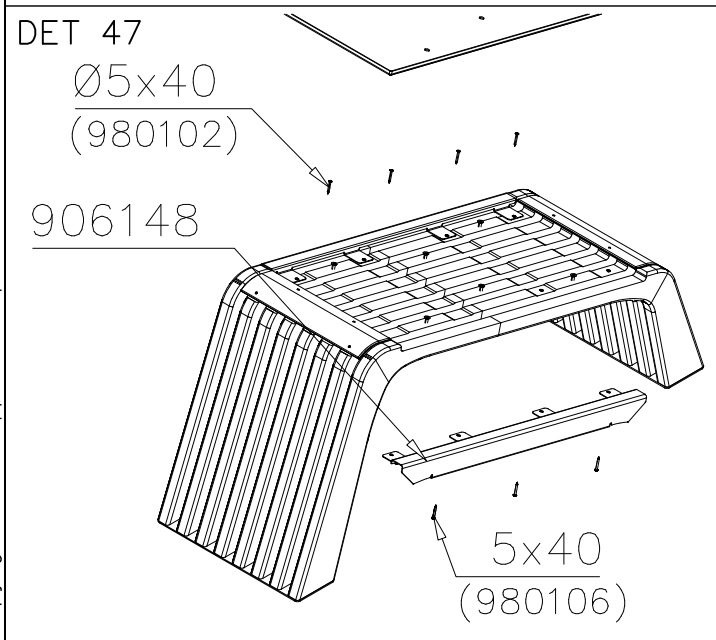
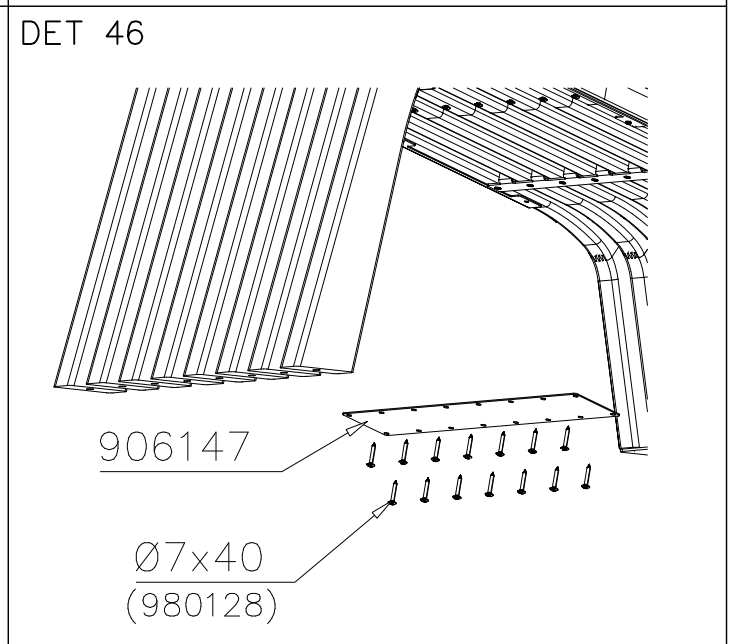
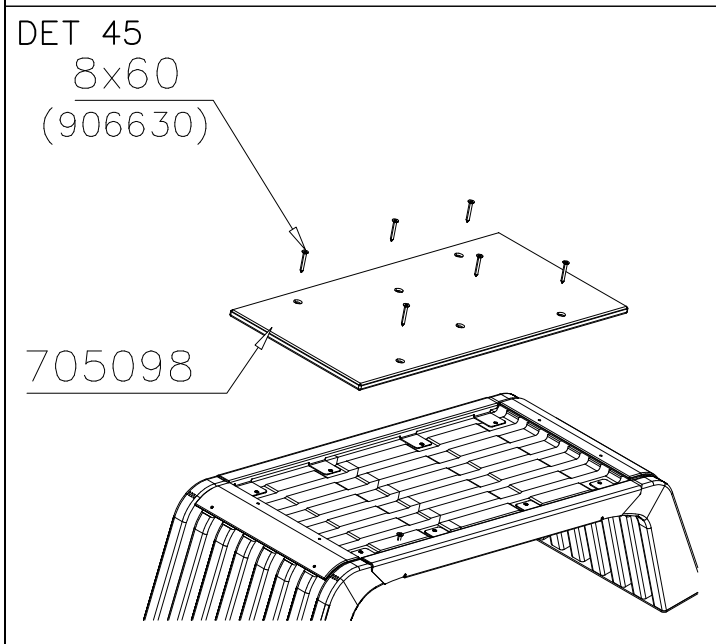
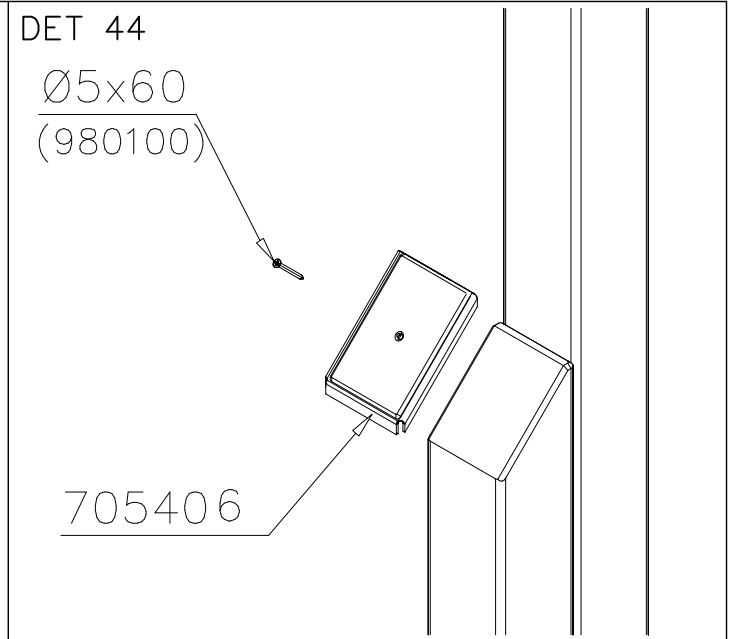
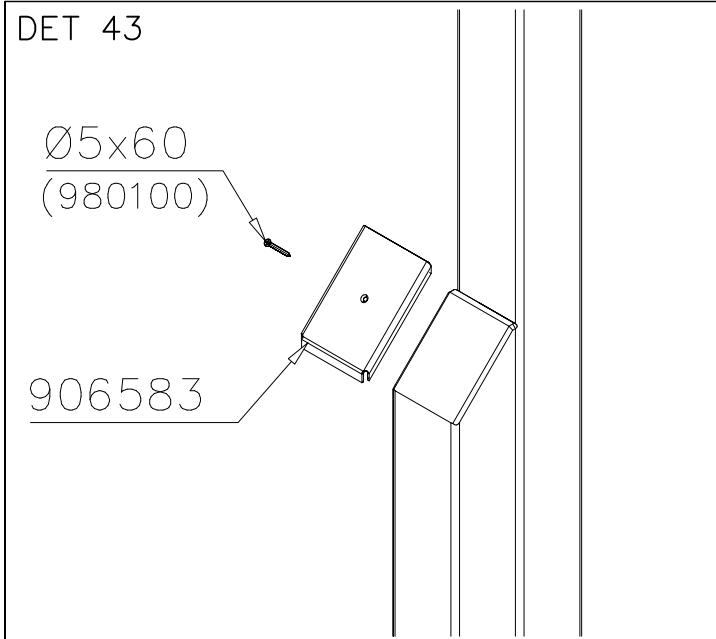


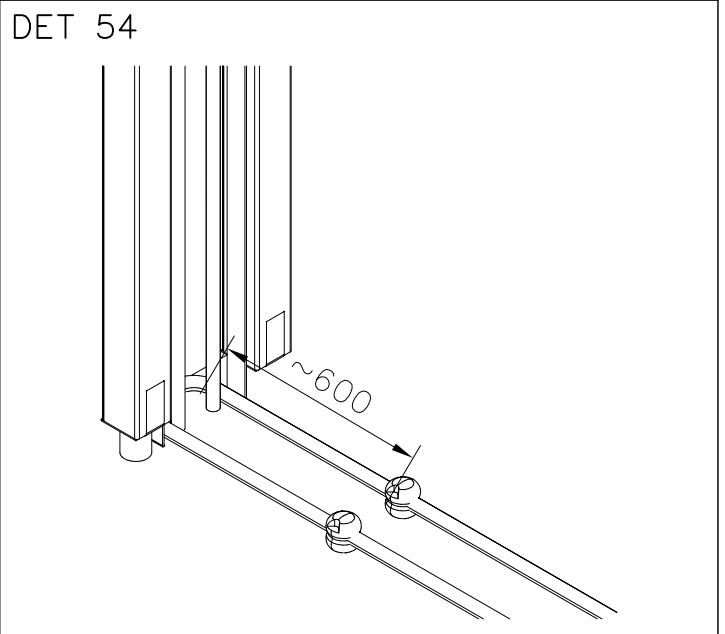
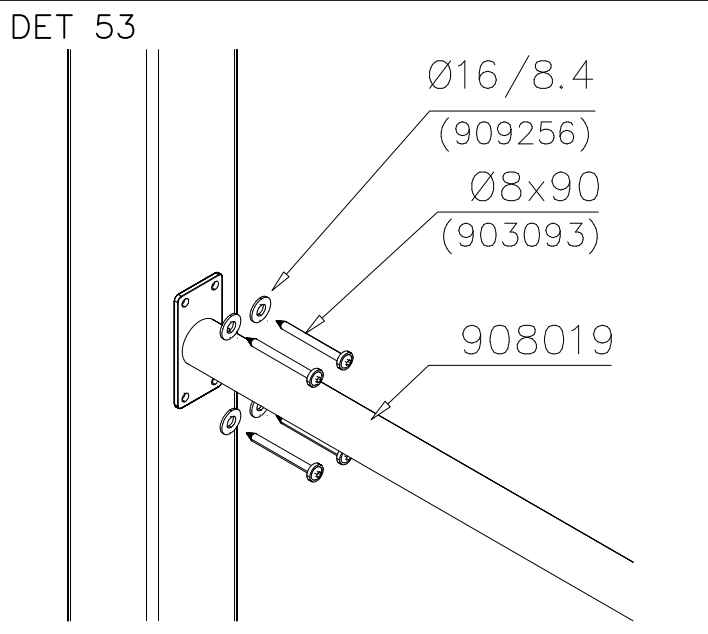
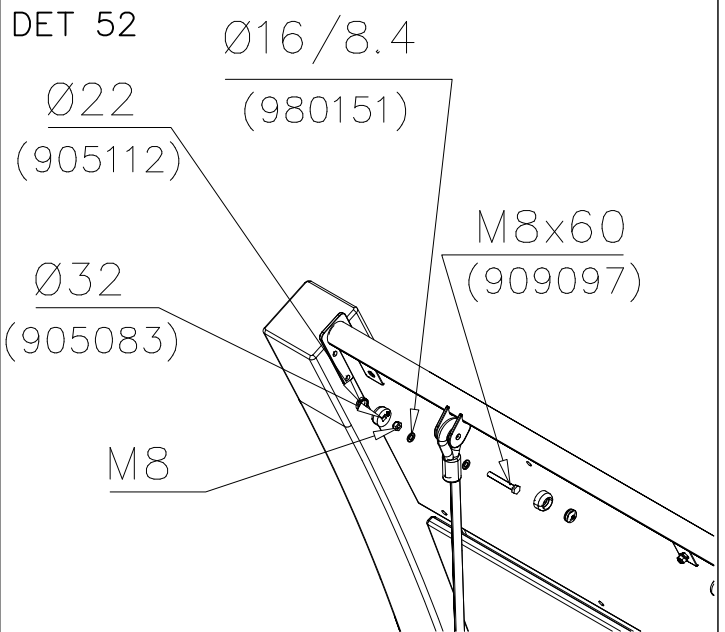
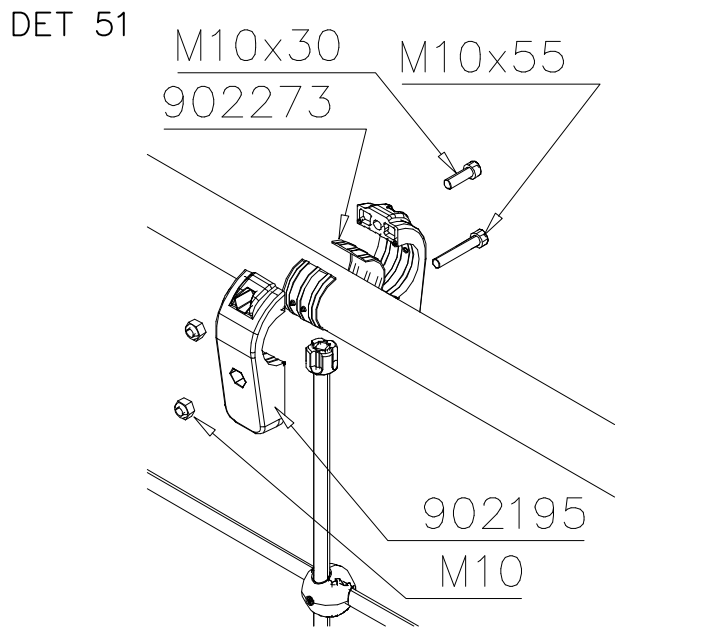
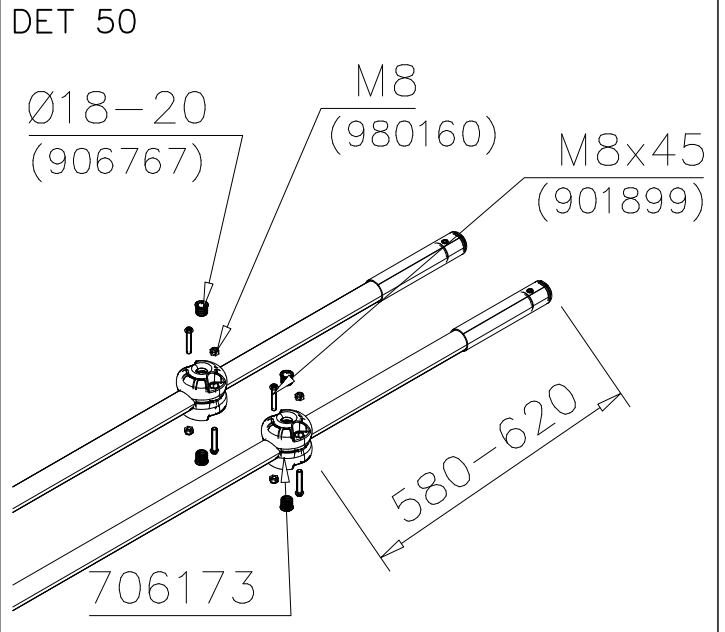
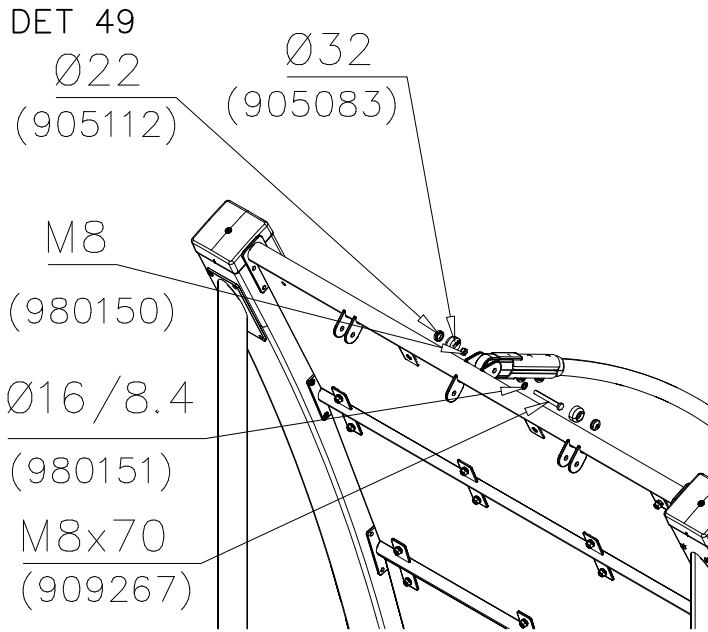
DET 41



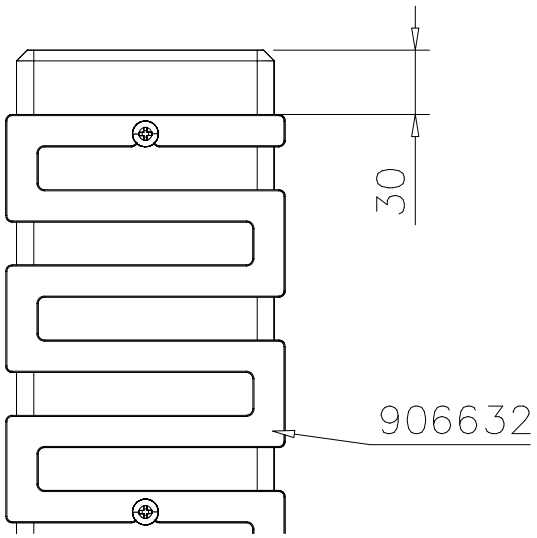
DET 42



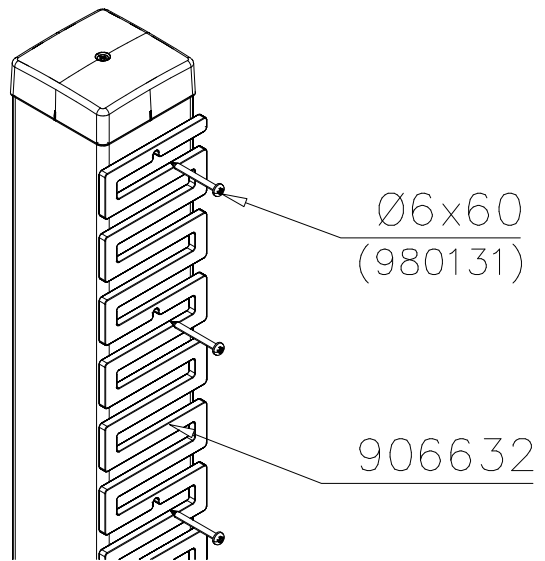




DET 55



DET 56



DET 57

DET 58

DET 59

DET 60