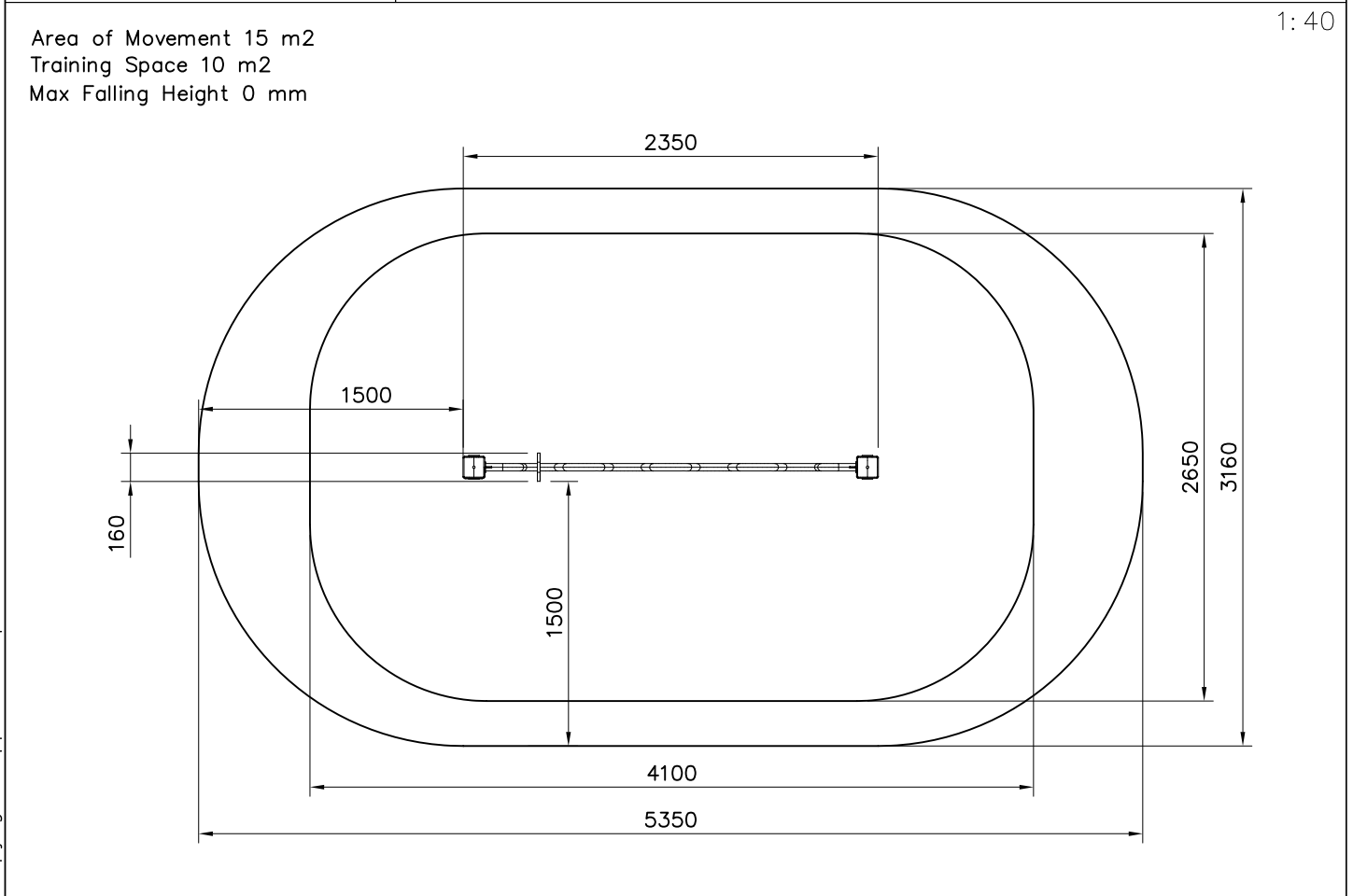
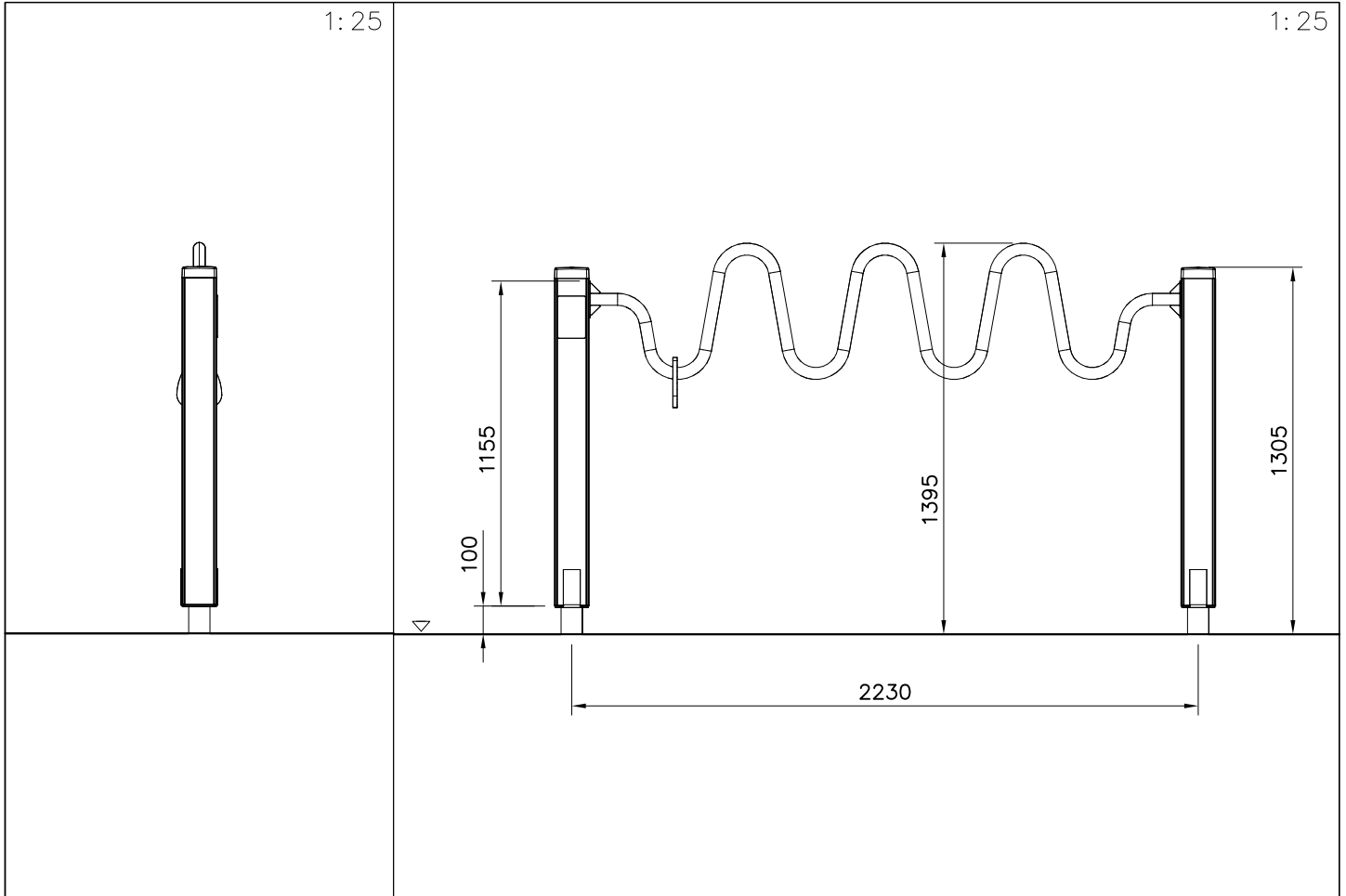


①	706039	PCS	②	705018	PCS
		1		120x120x1170	2
③	705369	PCS	④	980114	PCS
		1		Ø4x20	4
⑤	905104	PCS	⑥	905761	PCS
		8		120x120x700	2
	M10				
⑦	905830	PCS	⑧	906569	PCS
		2		1960x520x60	1
	123x123x40				
⑨	980104	PCS	⑩	980123	PCS
		2		Ø7x60	16
	Ø5x90				
⑪	909256	PCS			PCS
		16			
	Ø16/8.4				
		PCS			PCS
		PCS			PCS



												
<p>$h < 600$</p> <p>Without movement and therefore without Impact Area</p>	<p>Totally hard surfaces.</p> <p>Note. Lappset does <u>not recommend</u> totally hard surfaces at all.</p>	<p>E.g. concrete or asphalt</p> 										
<p>$h < 600$</p> <p>With movement e.g. rocking</p>	<p>Materials with very limited impact attenuating properties.</p>	<p>E.g. wood</p> 										
<p>$h < 1000$</p>	<p>Materials with significant impact attenuating properties.</p>	<p>fine gravel 0–8 mm</p>  <p>grass</p>  <p>unsorted sand</p> 										
<p>$h < 3000$</p>	<p>Loose fill material</p> <p>E.g. sand/gravel 0,25...8 mm D60/D10<3,0 Woodchips 5...30 mm bark 20...80 mm</p>	 <table data-bbox="1021 1691 1332 1792"> <tr> <td>\underline{S}</td> <td>\underline{h}</td> </tr> <tr> <td>30 cm</td> <td>< 2,0 m</td> </tr> <tr> <td>40 cm</td> <td>< 3,0 m</td> </tr> </table>	\underline{S}	\underline{h}	30 cm	< 2,0 m	40 cm	< 3,0 m				
\underline{S}	\underline{h}											
30 cm	< 2,0 m											
40 cm	< 3,0 m											
	<p>Syntethic granulates</p> <table data-bbox="406 1892 758 2060"> <tr> <td>\underline{S}</td> <td>\underline{h}</td> </tr> <tr> <td>40 mm</td> <td>~> 1,2...1,3 m</td> </tr> <tr> <td>50 mm</td> <td>~> 1,5...1,7 m</td> </tr> <tr> <td>60 mm</td> <td>~> 1,8...2,0 m</td> </tr> <tr> <td>70 mm</td> <td>~> 2,1...2,5 m</td> </tr> </table> <p>Note. For accurate values, see manufacturer's instructions.</p>	\underline{S}	\underline{h}	40 mm	~> 1,2...1,3 m	50 mm	~> 1,5...1,7 m	60 mm	~> 1,8...2,0 m	70 mm	~> 2,1...2,5 m	
\underline{S}	\underline{h}											
40 mm	~> 1,2...1,3 m											
50 mm	~> 1,5...1,7 m											
60 mm	~> 1,8...2,0 m											
70 mm	~> 2,1...2,5 m											

REMOVE SAFETY SURFACE/SAND/GRAVEL
TO CHECK FOUNDATION

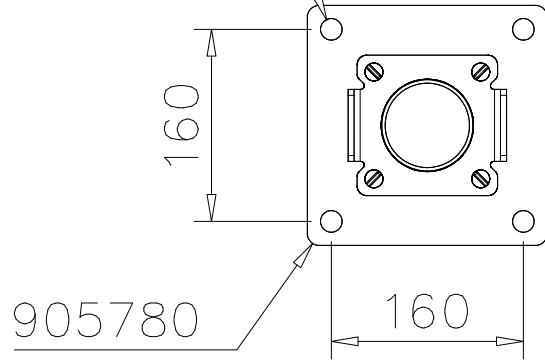


REMOVE SAFETY SURFACE/SAND/GRAVEL
TO CHECK FOUNDATION



DET 1

$\varnothing 16 \downarrow > 130$



DET 2



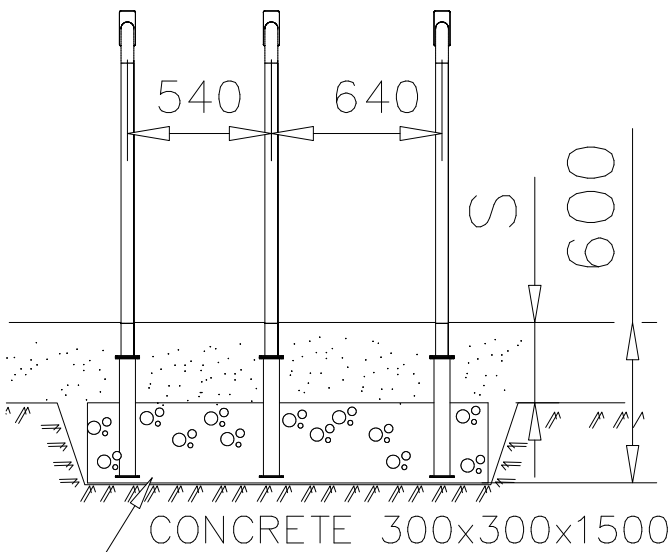
DET 3



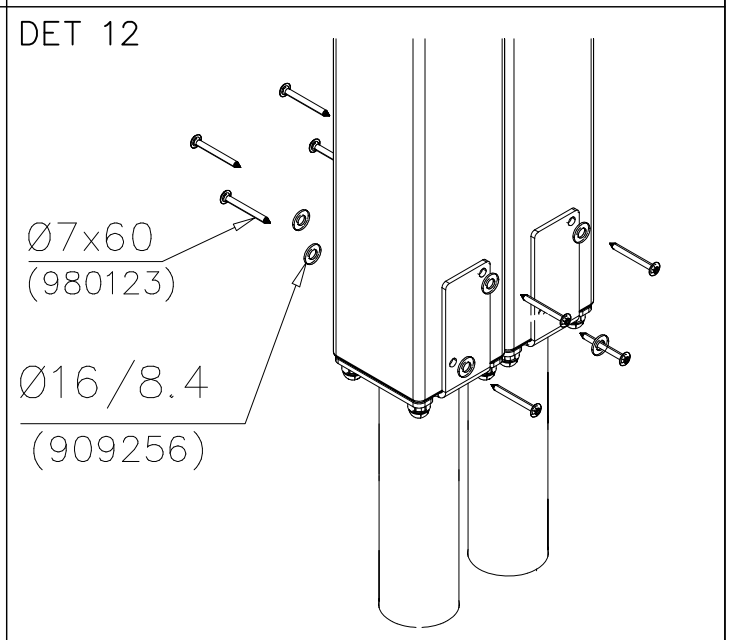
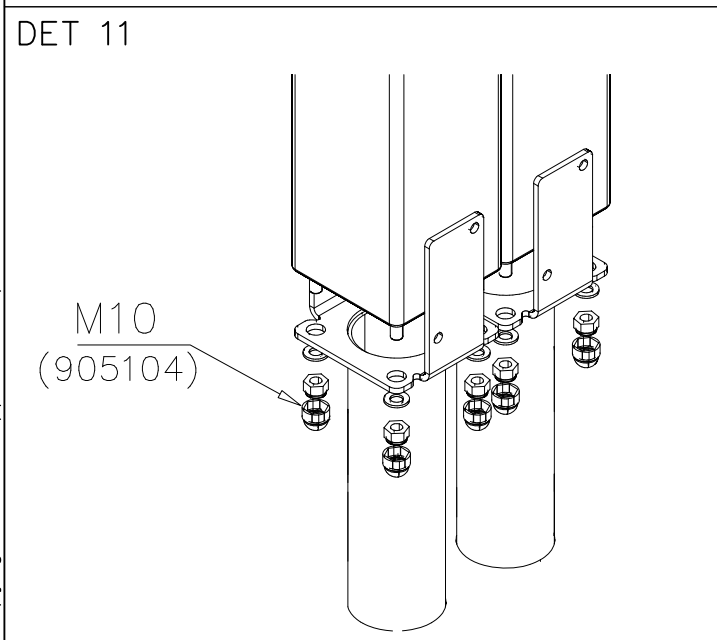
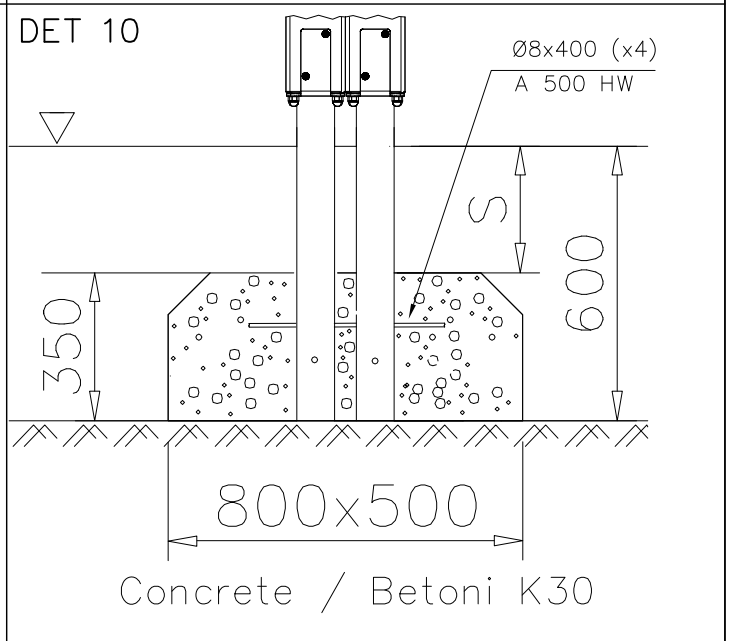
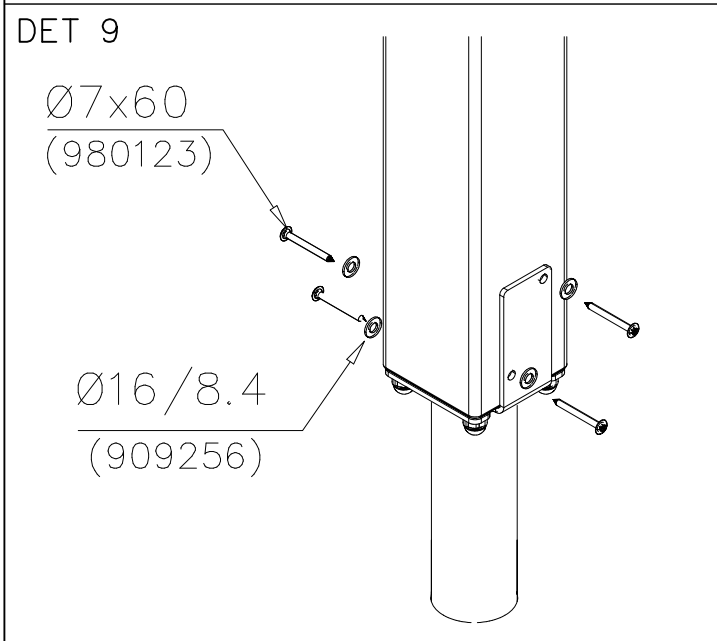
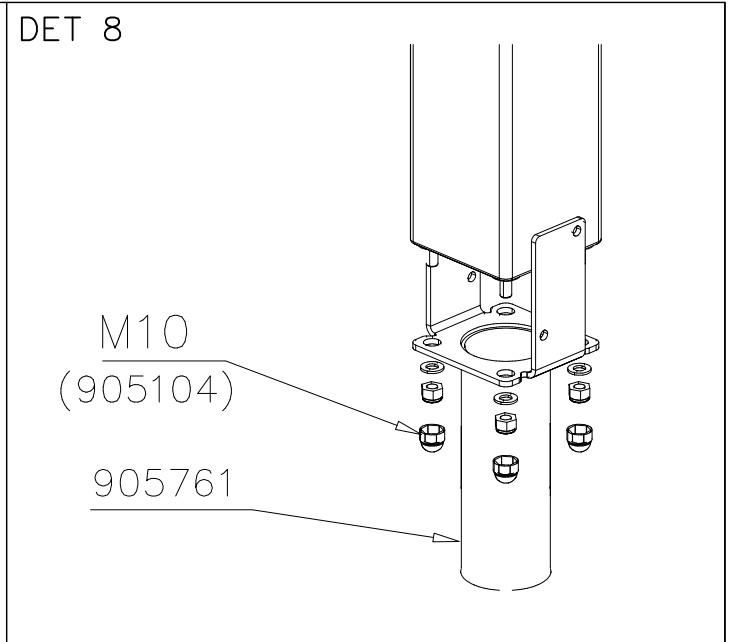
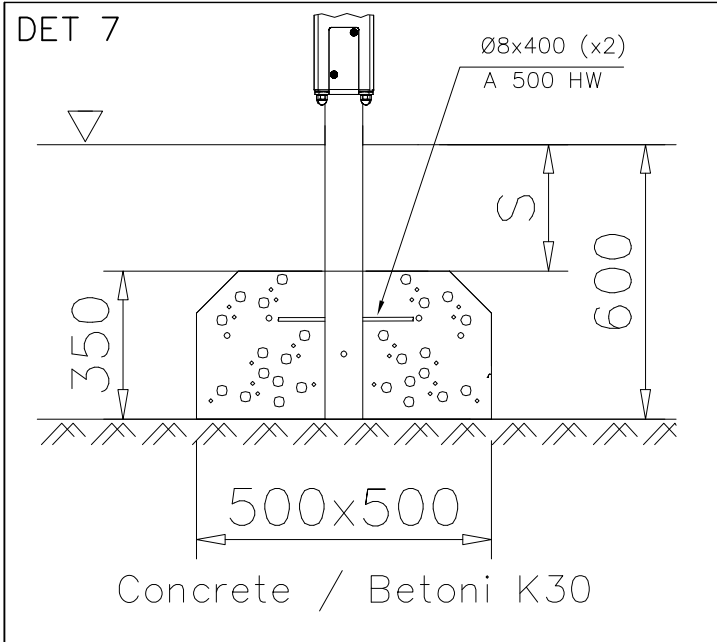
DET 4



DET 5



DET 6



DET 13



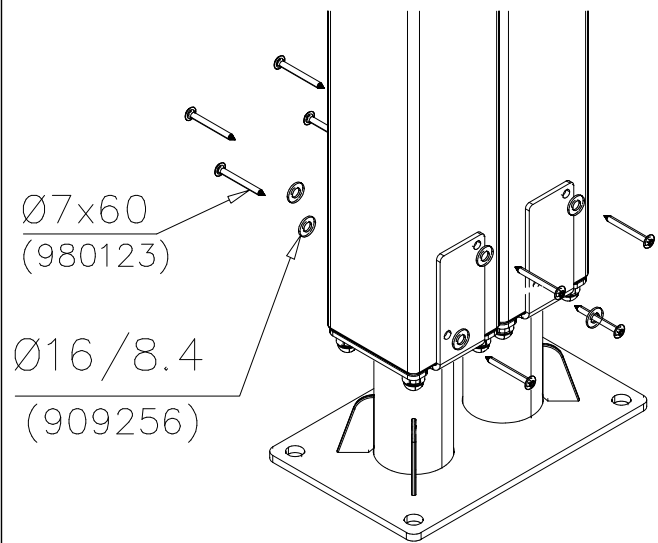
DET 14



DET 15

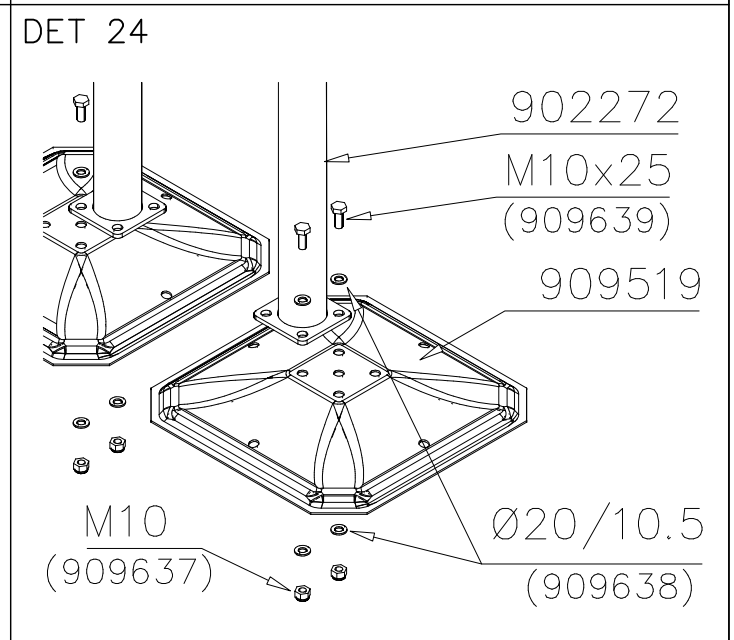
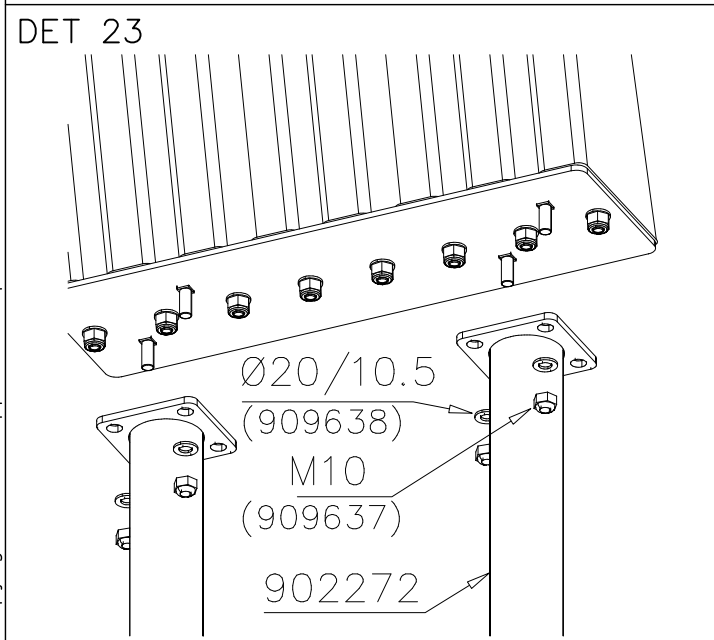
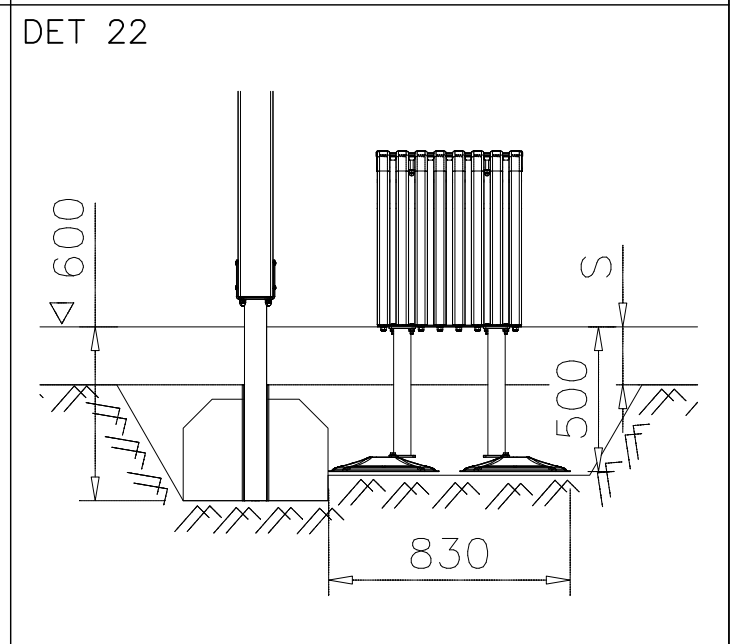
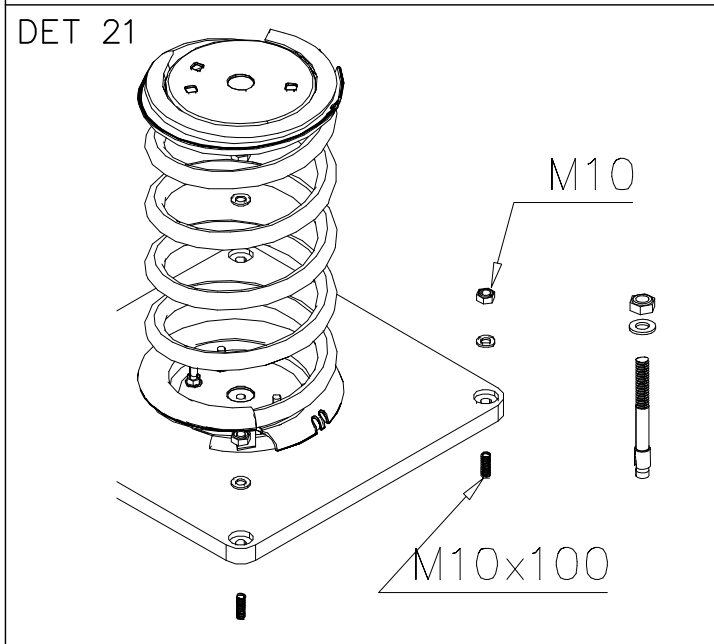
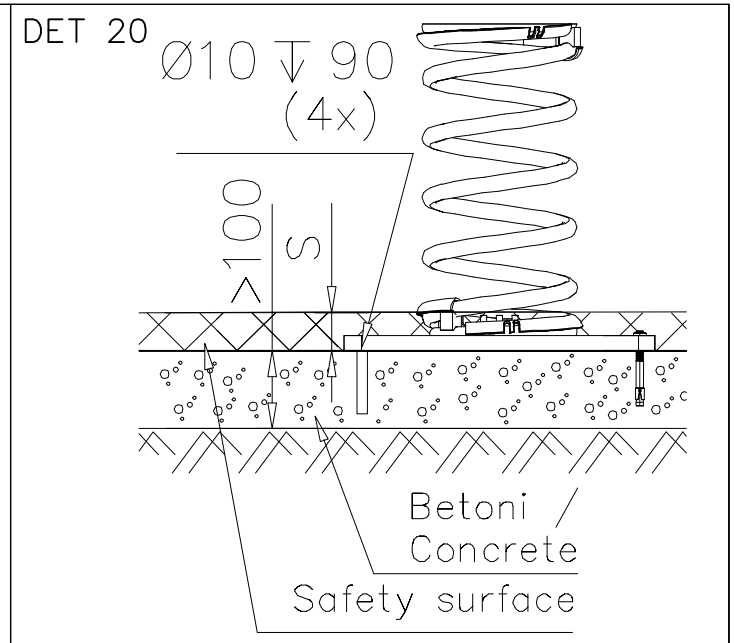
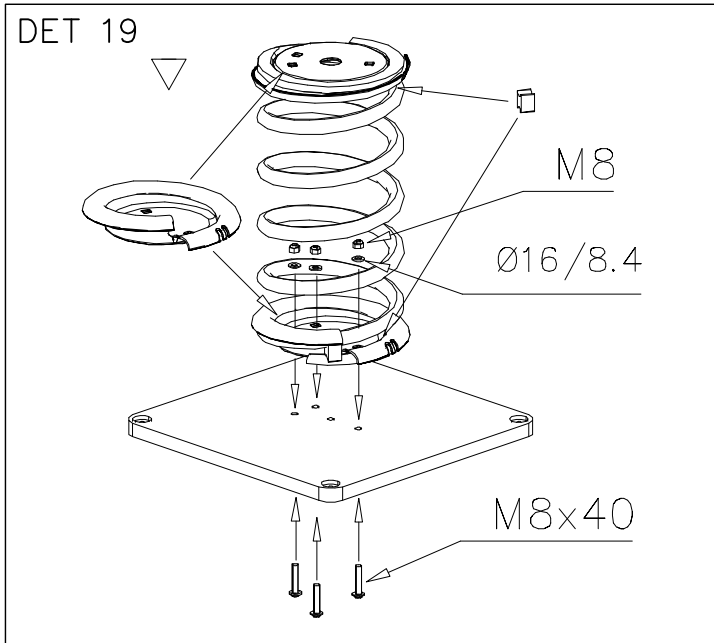


DET 16



DET 17

DET 18

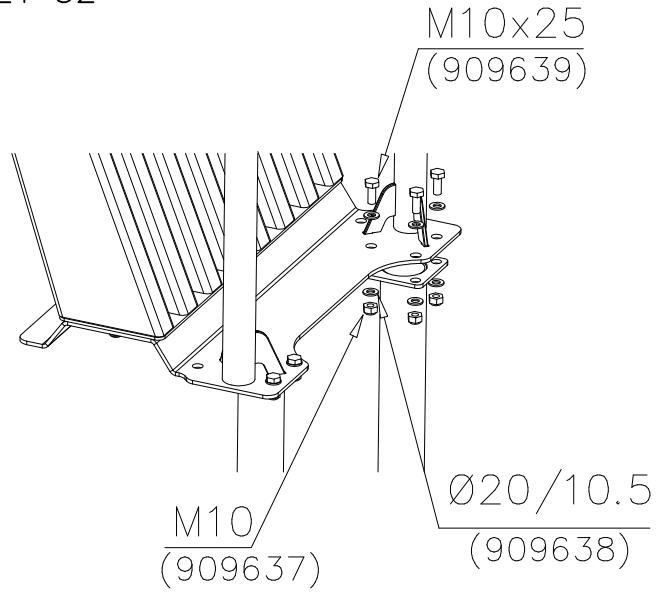




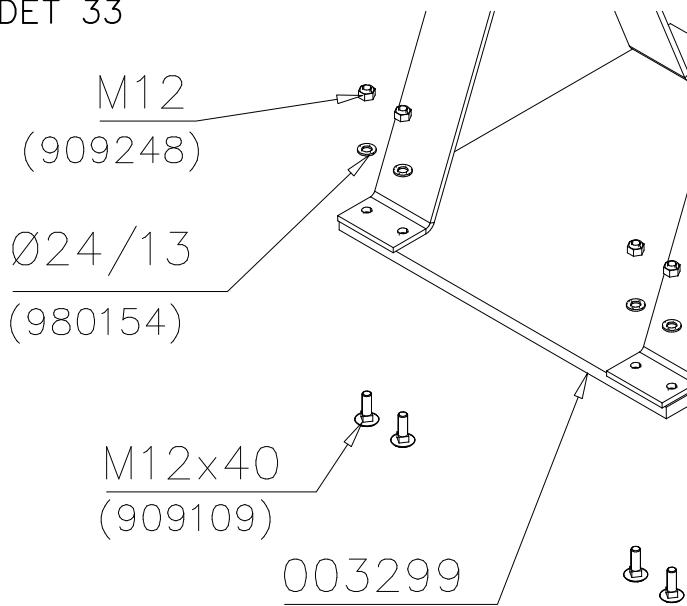
DET 31



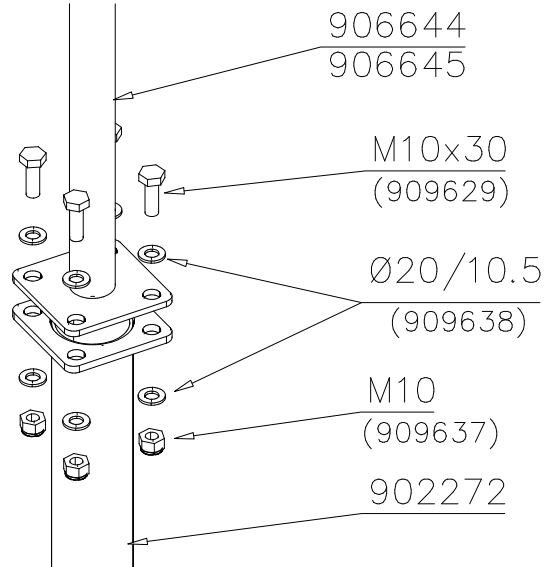
DET 32



DET 33



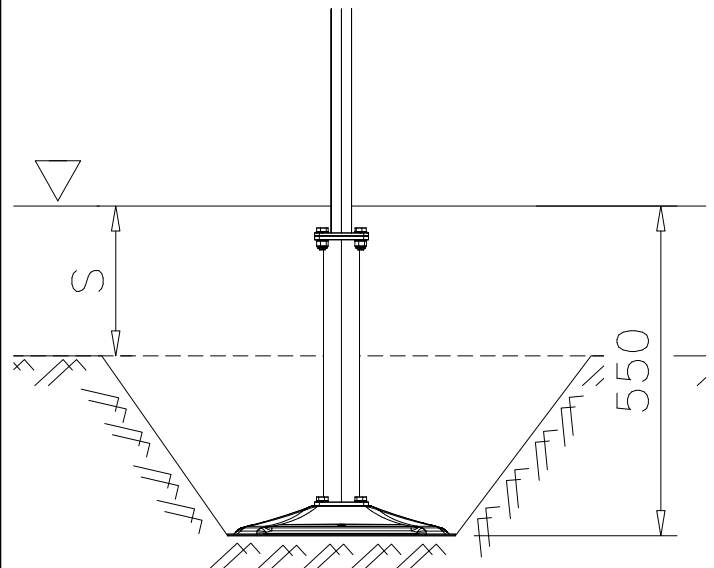
DET 34



DET 35



DET 36



DET 37



DET 38



DET 39



DET 40



DET 41



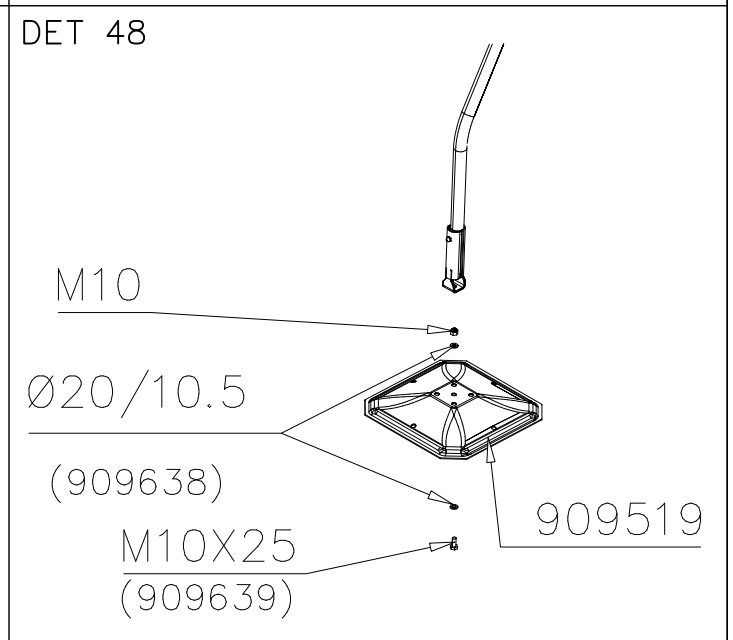
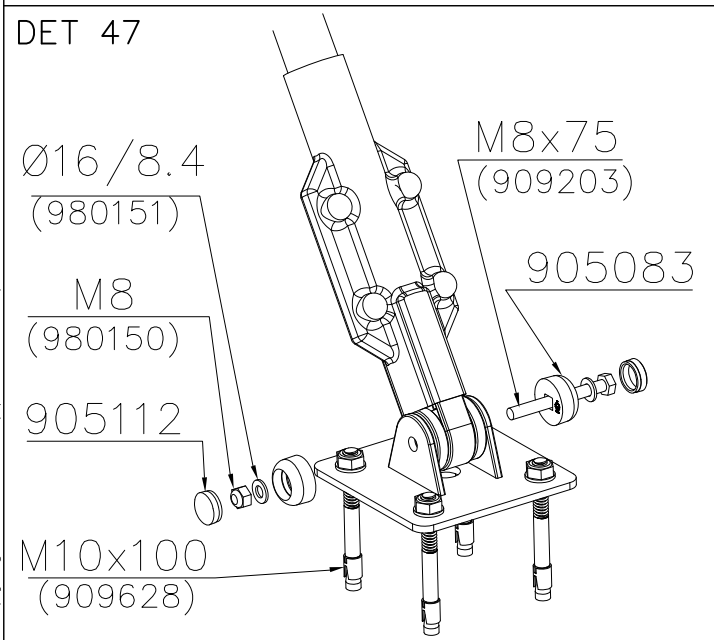
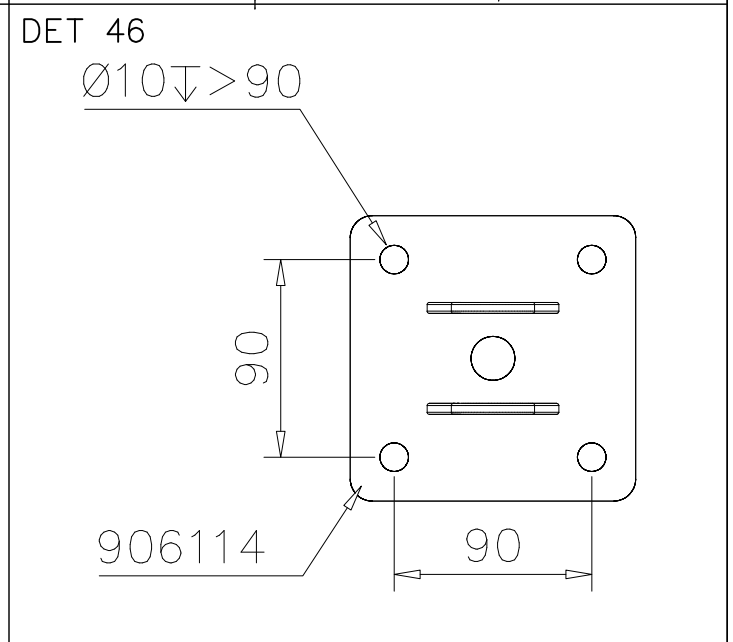
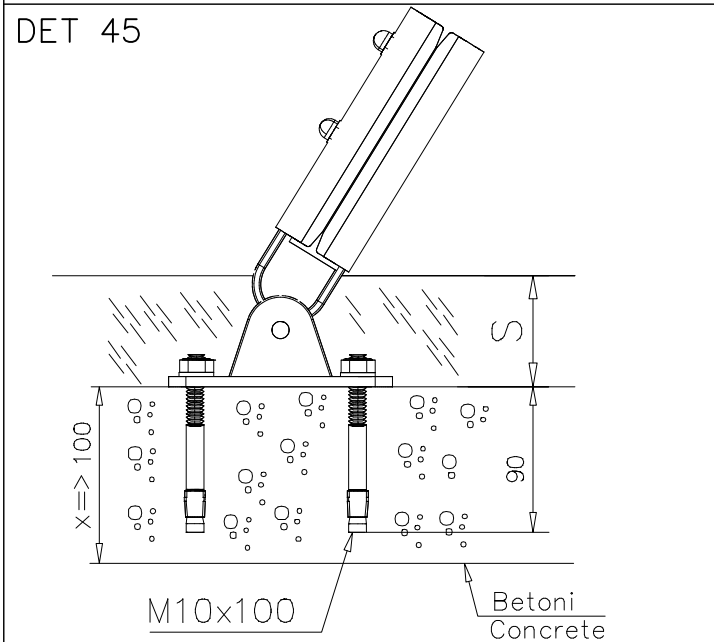
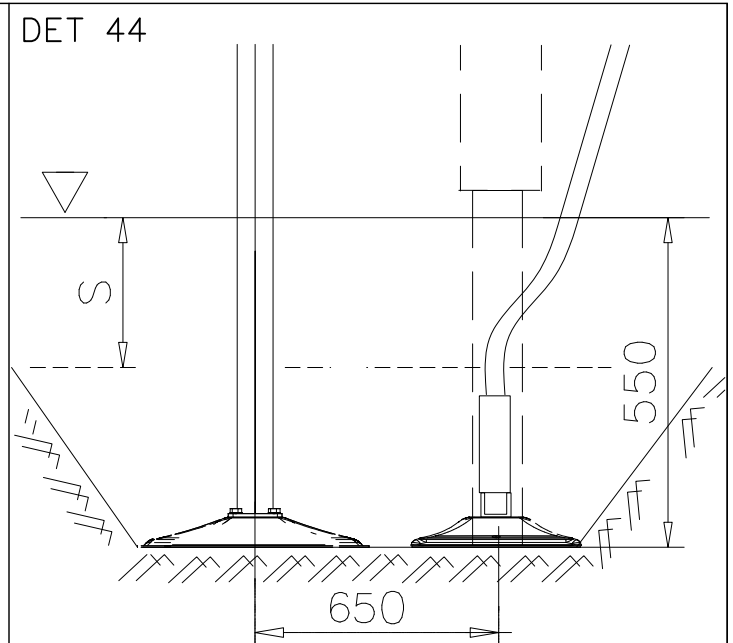
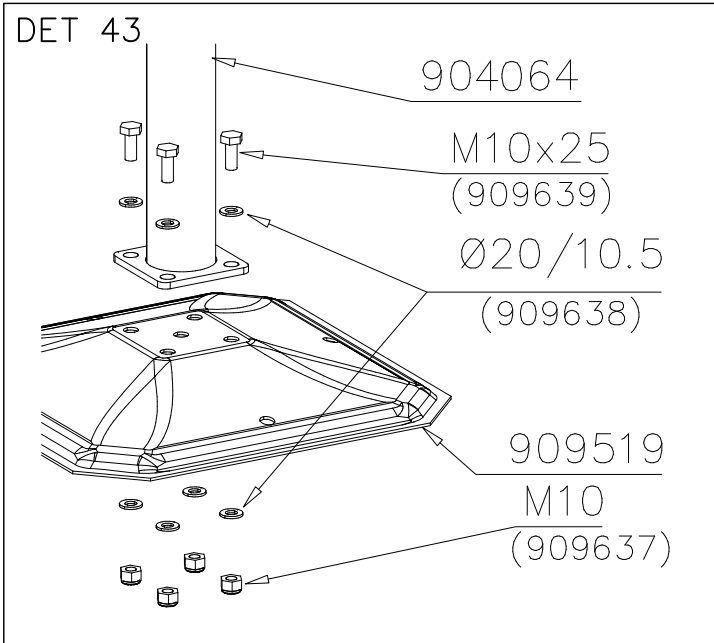
DET 42

LAPPSET SPORT

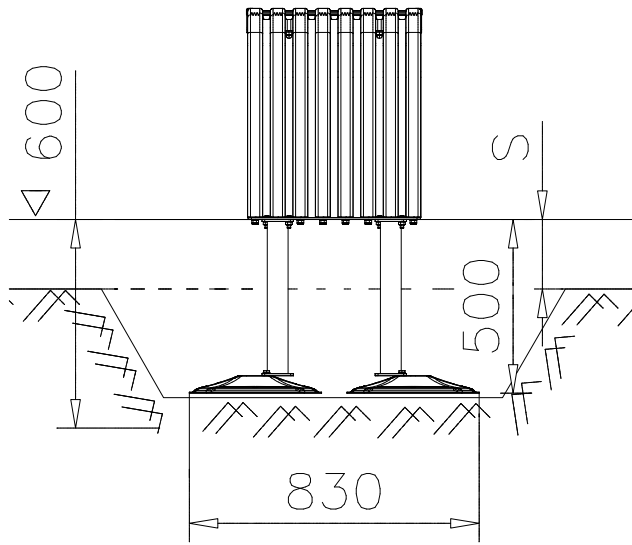
BASE

DATE: 15.8.2017

8(10)



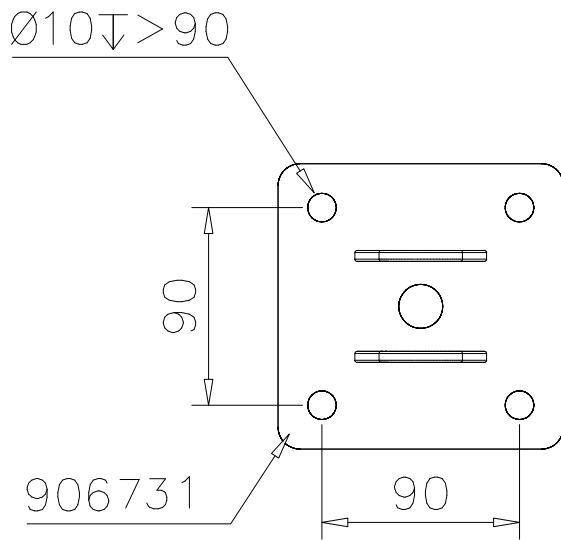
DET 49



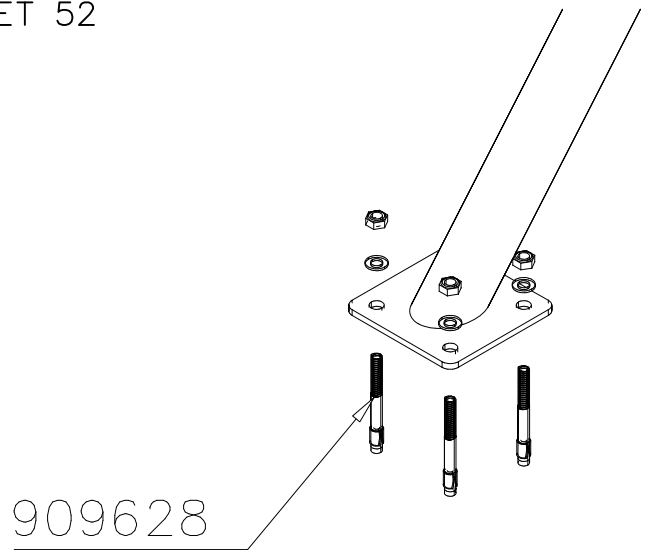
DET 50



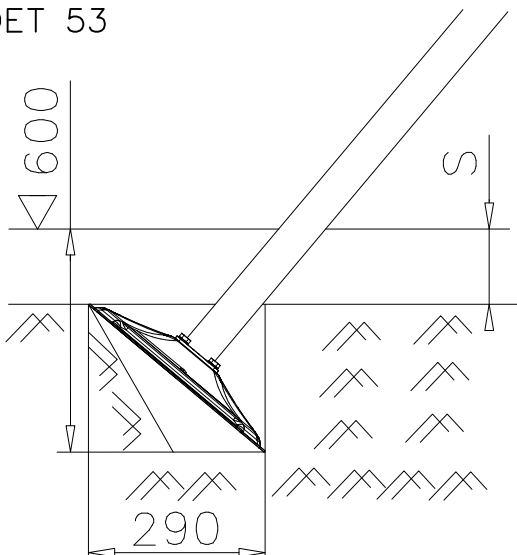
DET 51



DET 52



DET 53

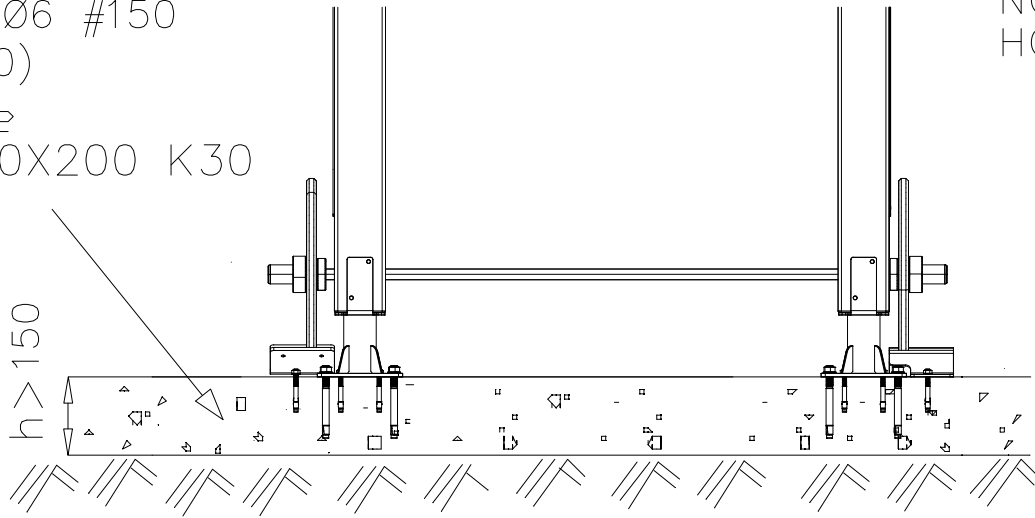


DET 54



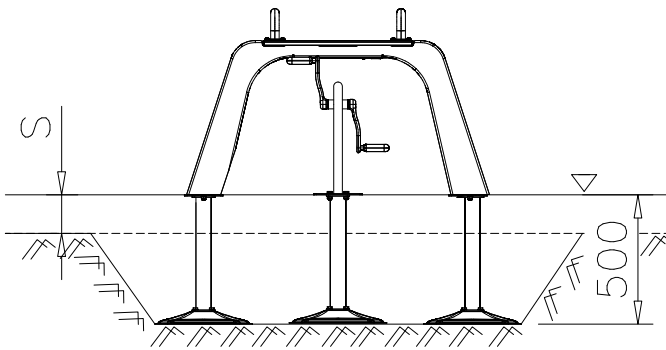
DET 55

STEELNET Ø6 #150
(1400x2100)
Concrete
1500X2200X200 K30

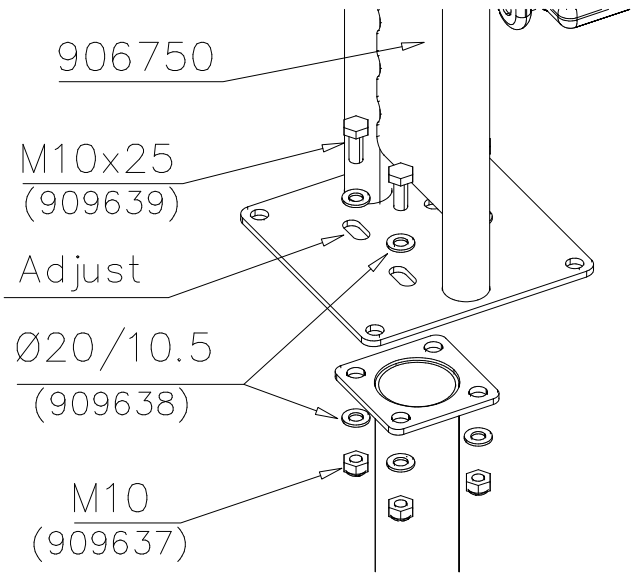


NOTE!
HOX!

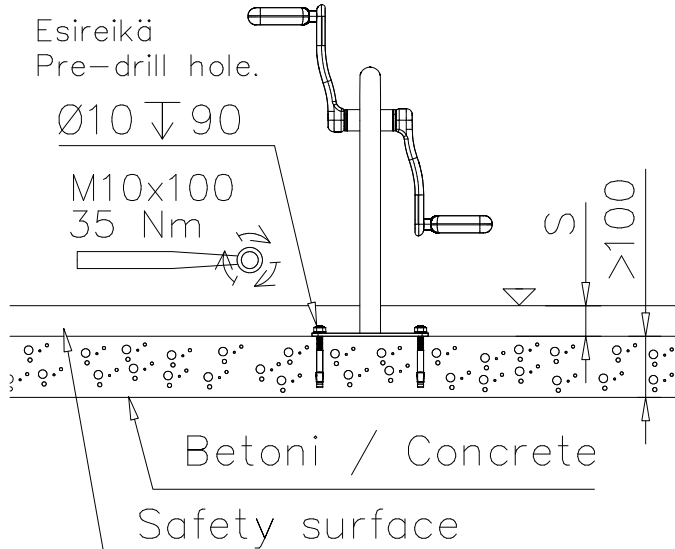
DET 56



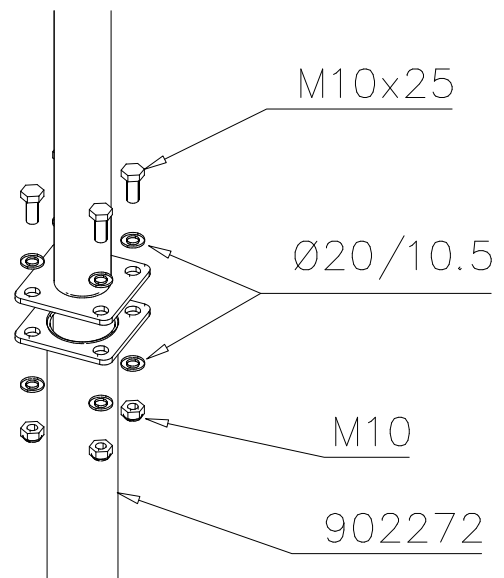
DET 57



DET 58



DET 59



DET 1



DET 2



DET 3



DET 4



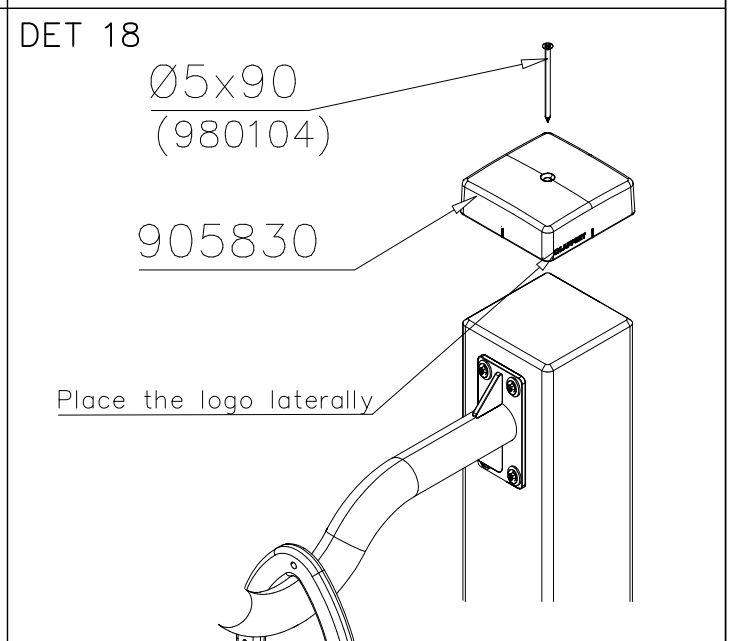
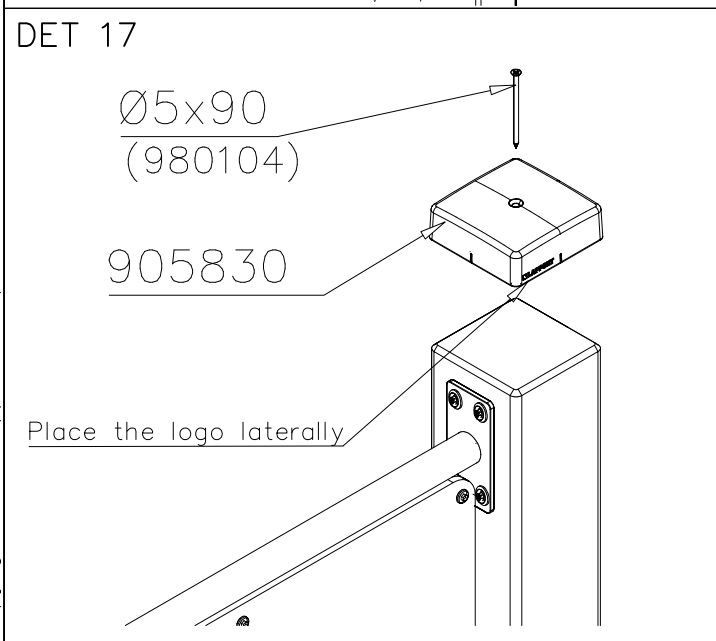
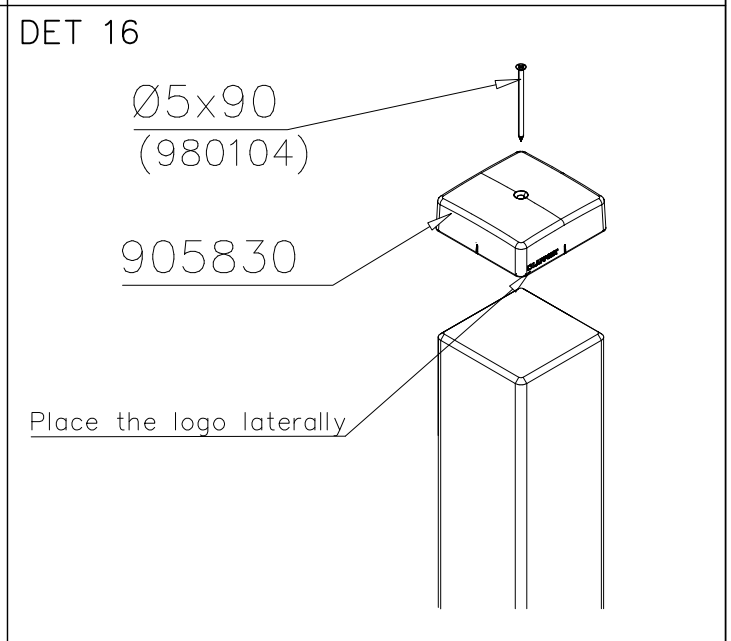
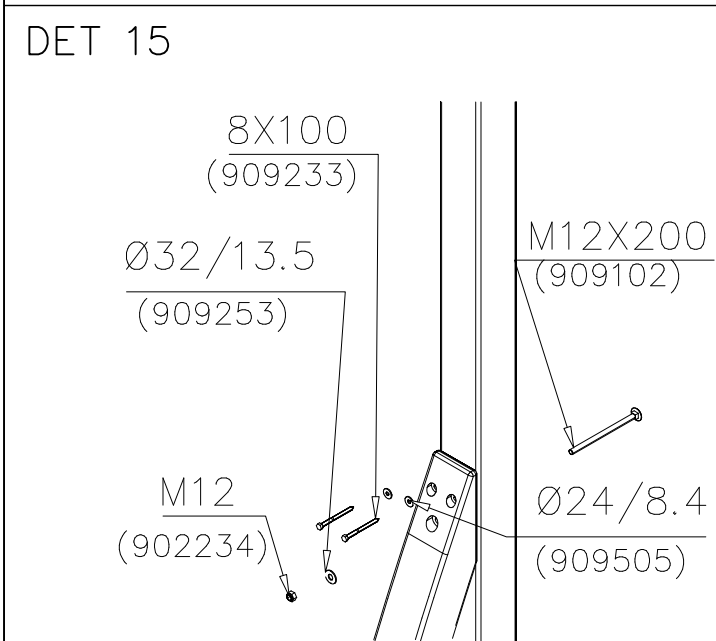
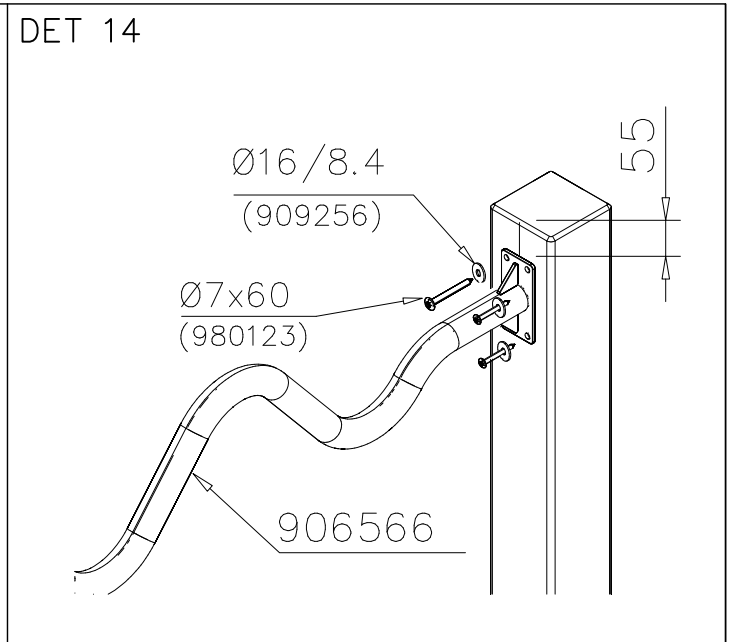
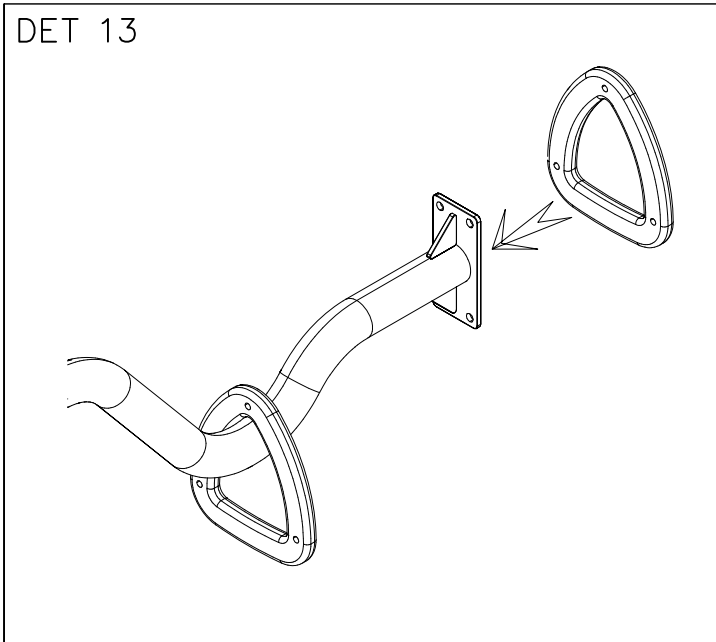
DET 5



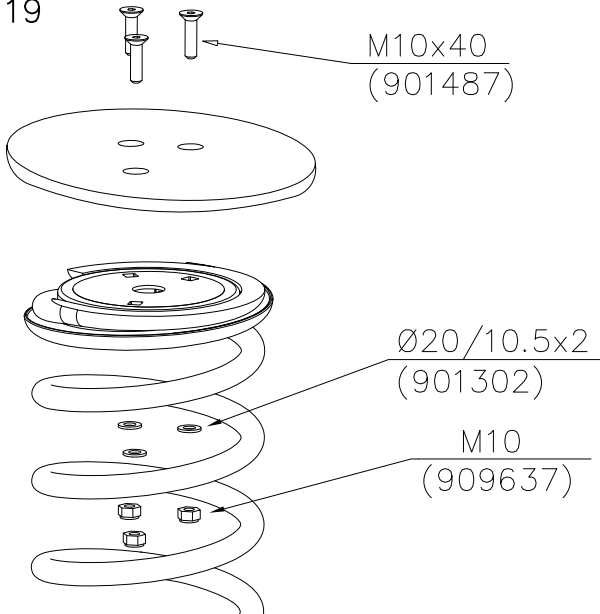
DET 6



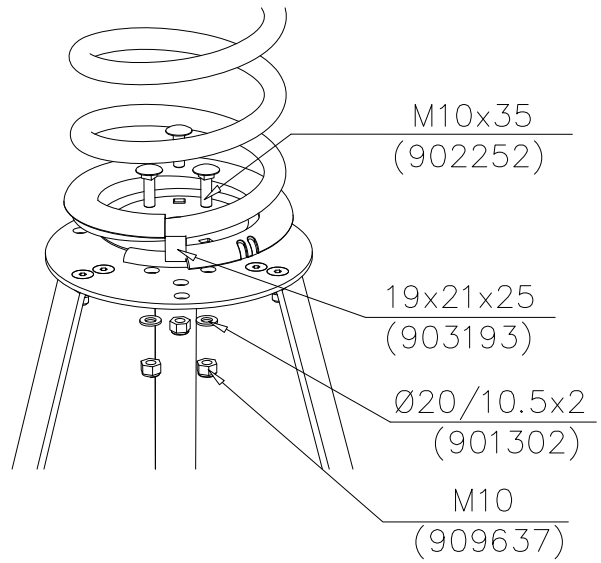




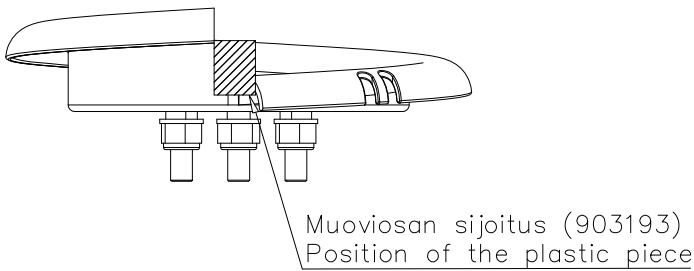
DET 19



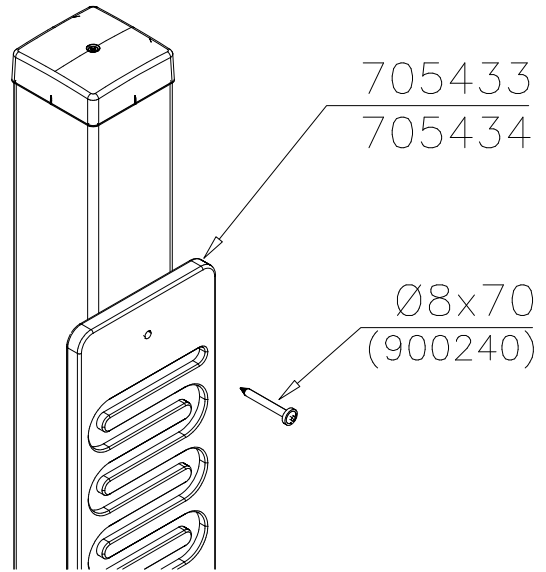
DET 20



DET 21



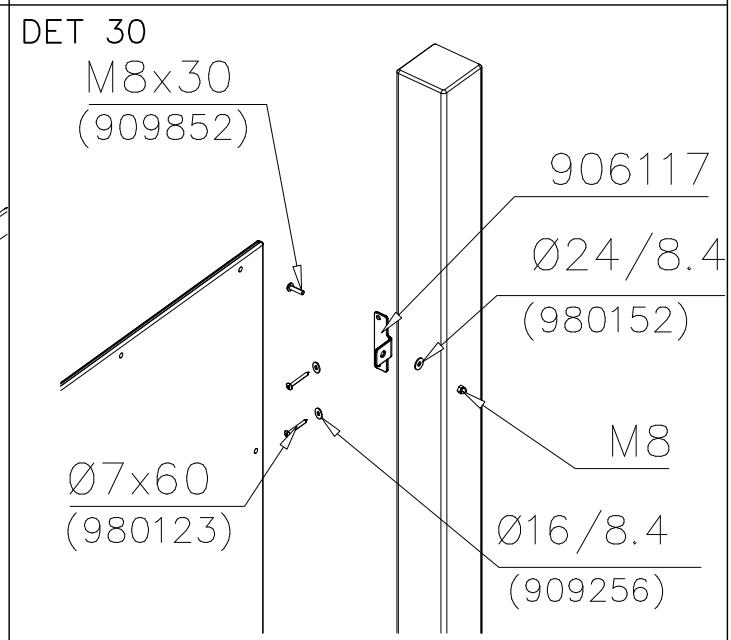
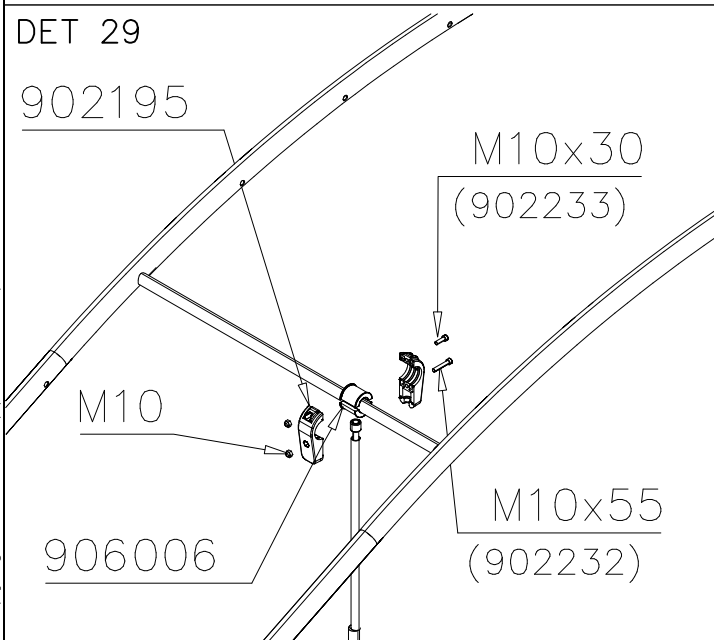
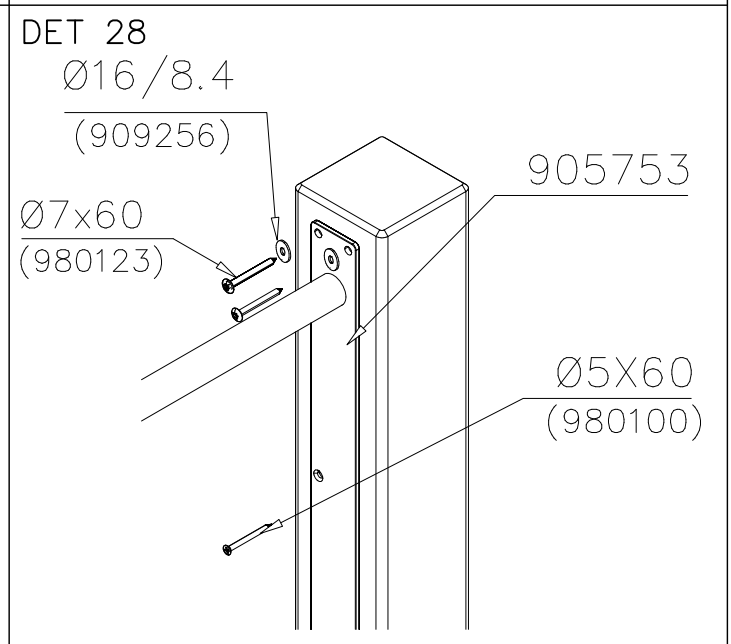
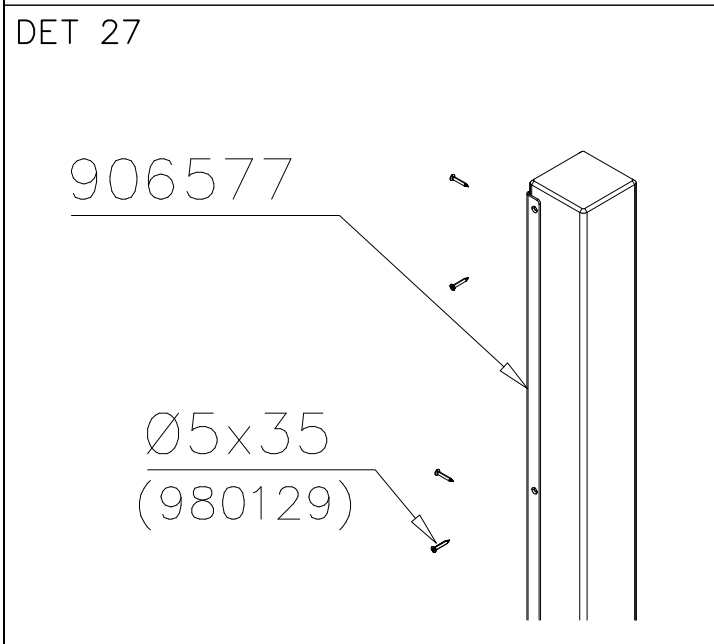
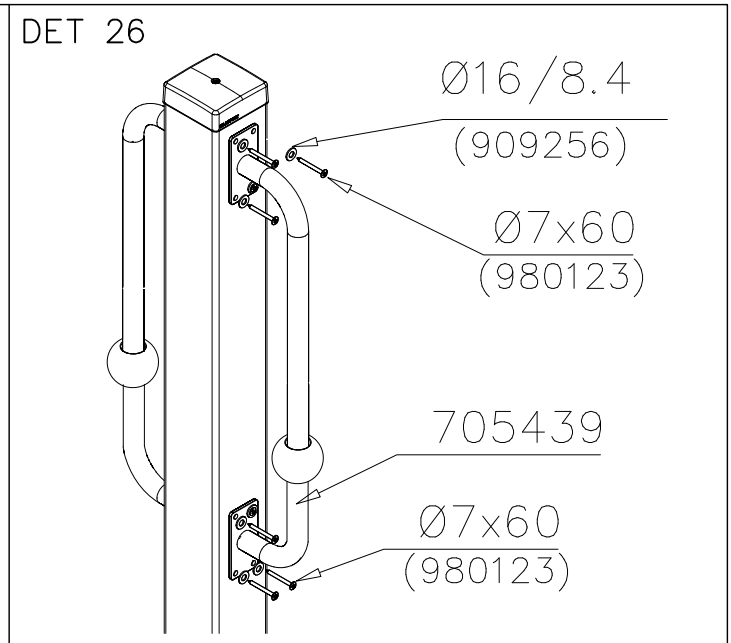
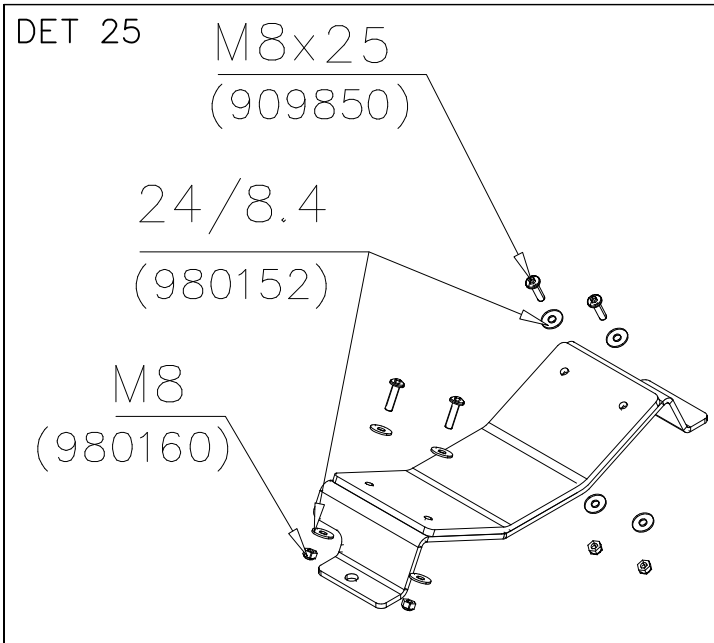
DET 22



DET 23



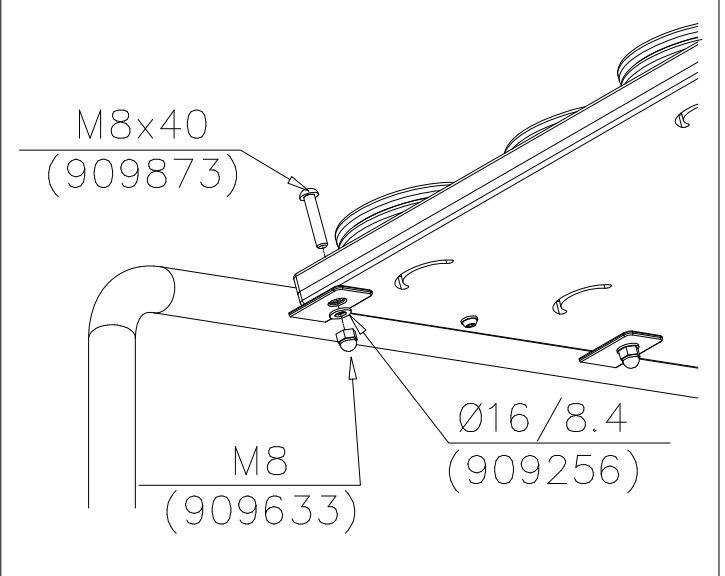
DET 24



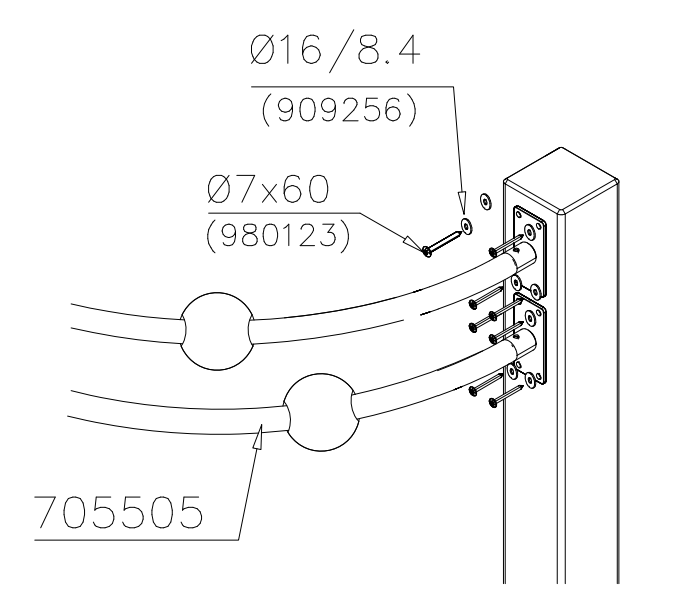
DET 31



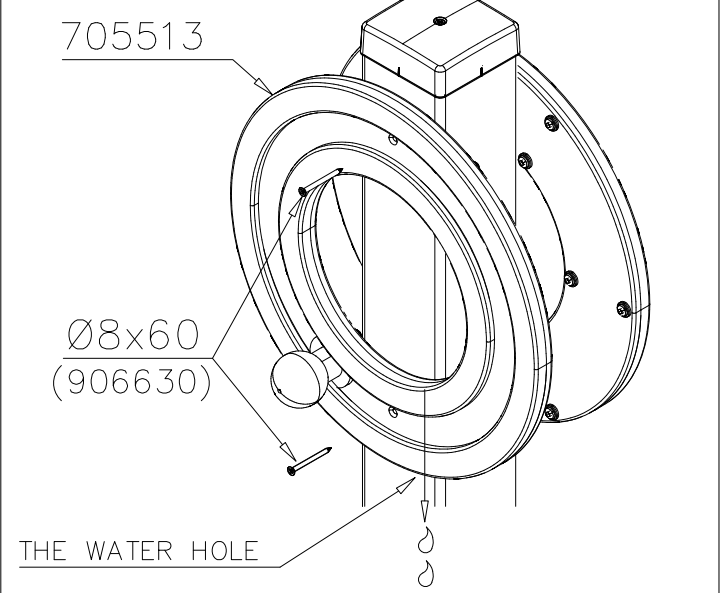
DET 32



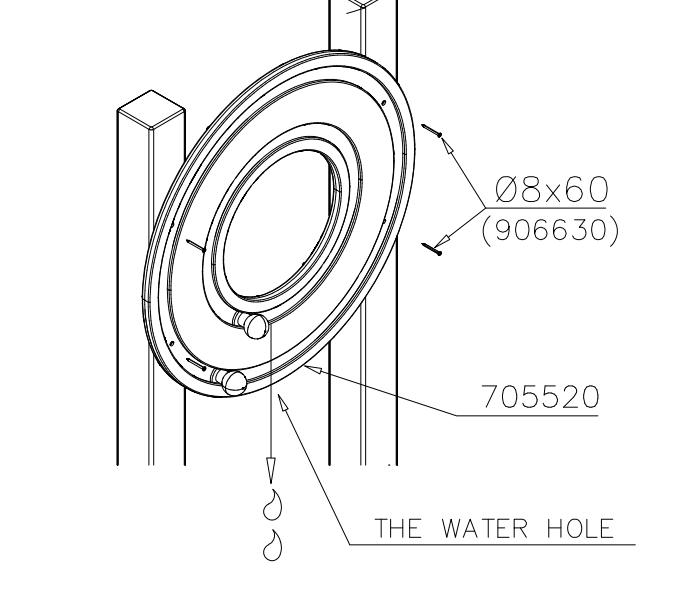
DET 33



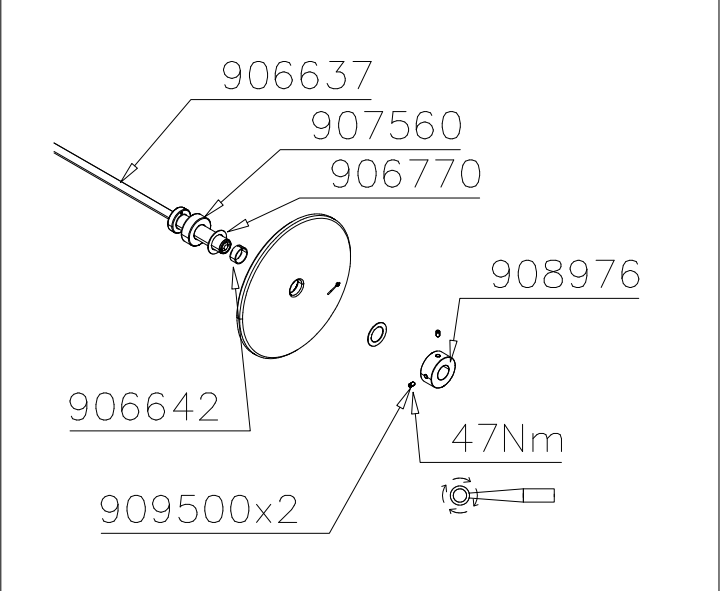
DET 34



DET 35



DET 36



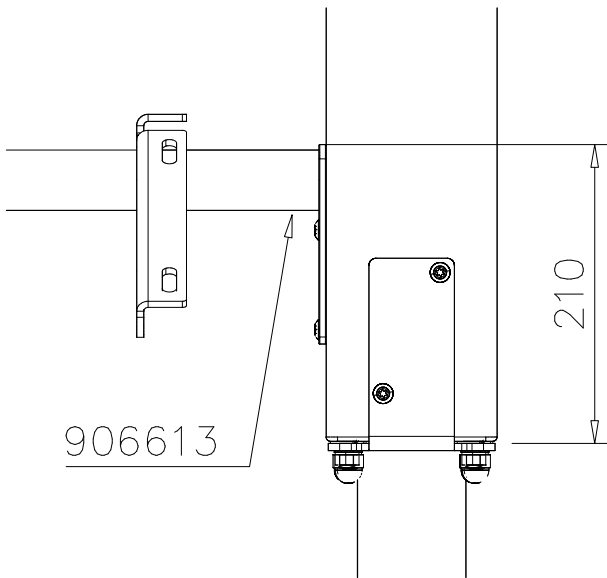
DET 37



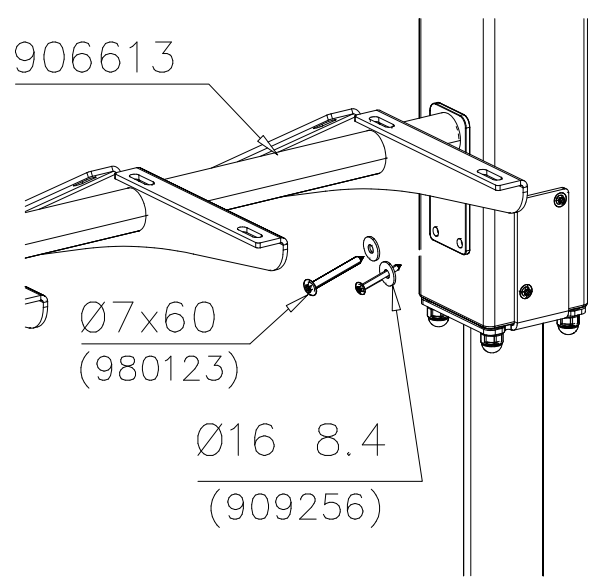
DET 38



DET 39



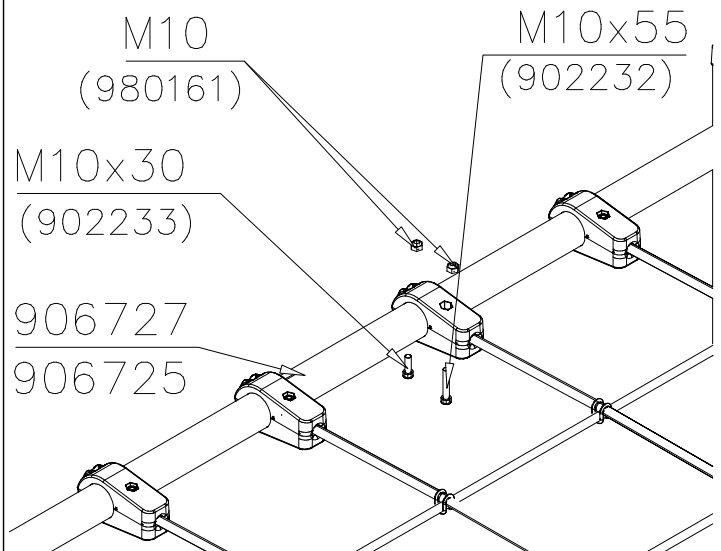
DET 40

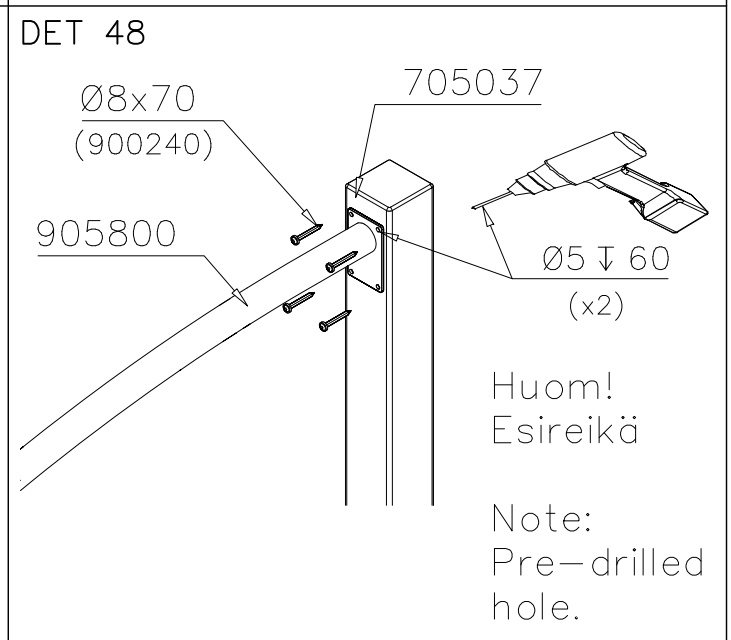
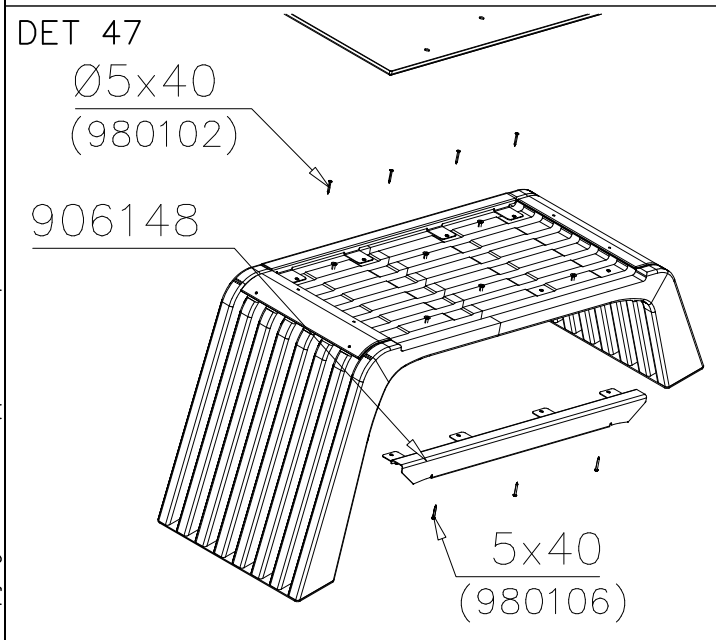


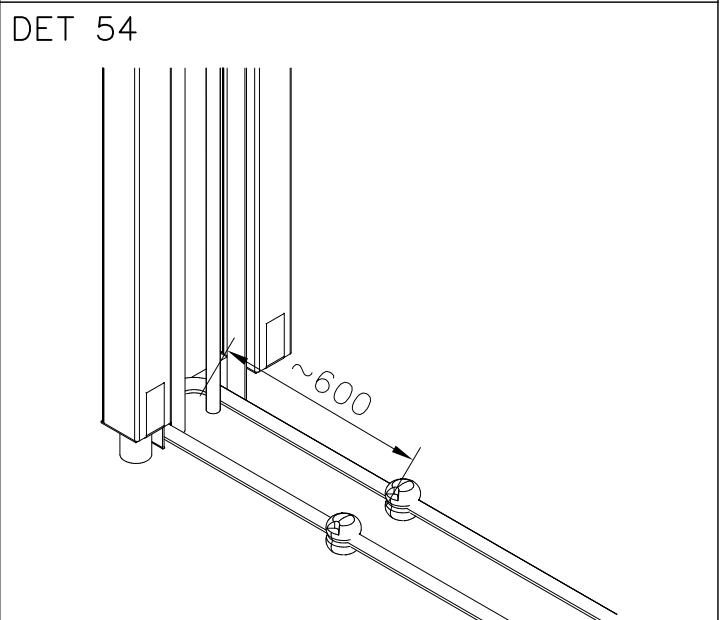
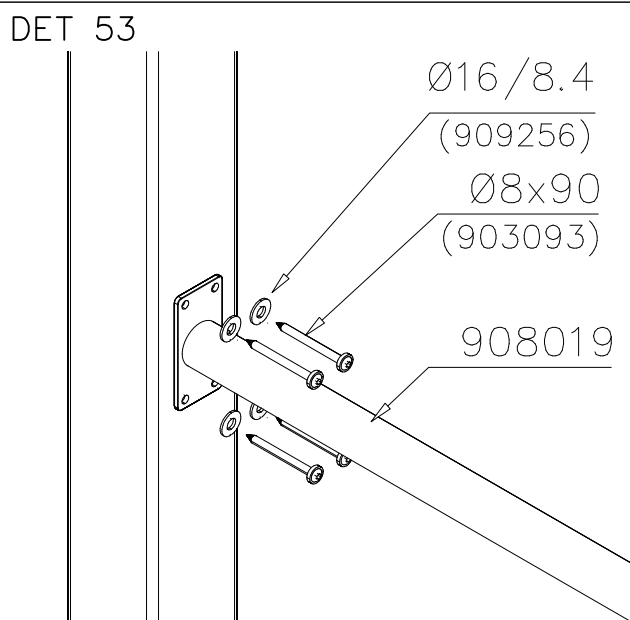
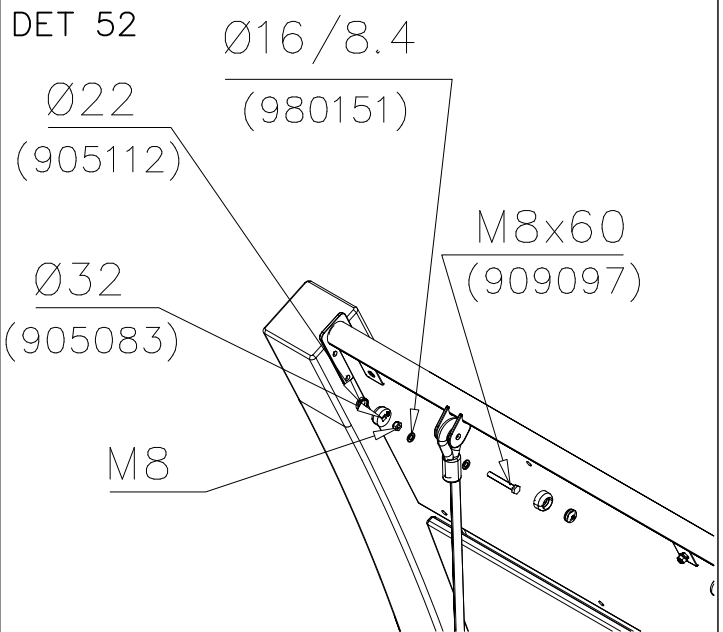
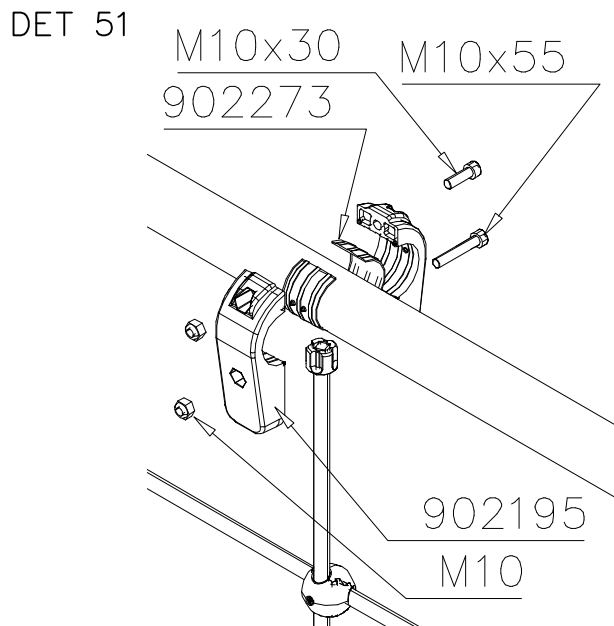
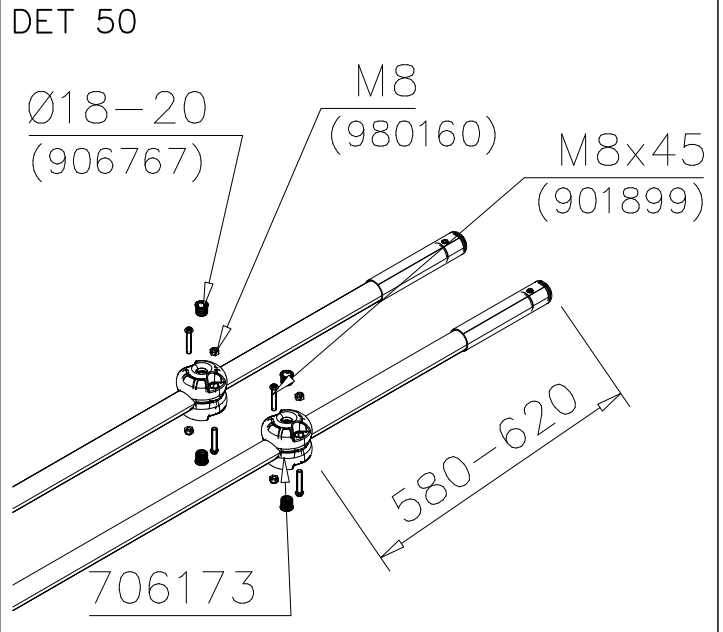
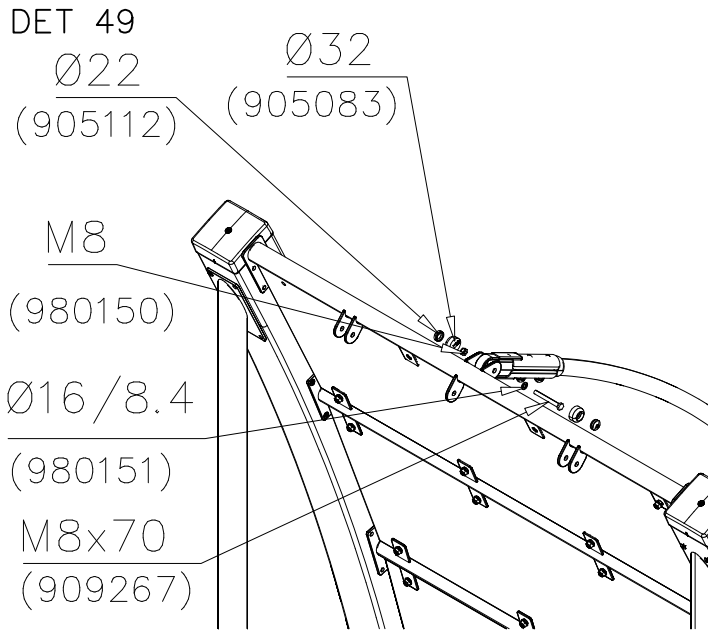
DET 41



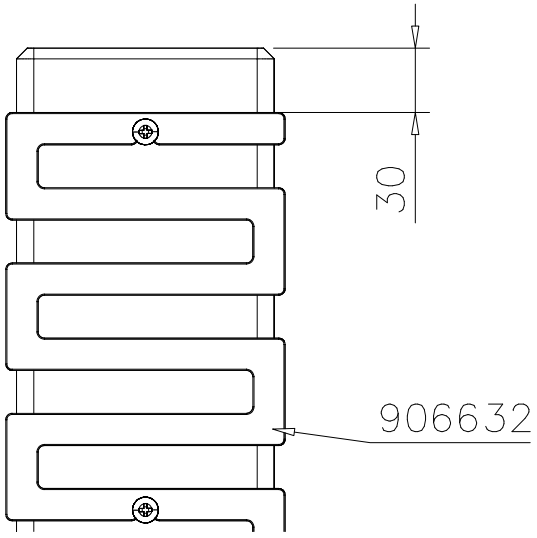
DET 42



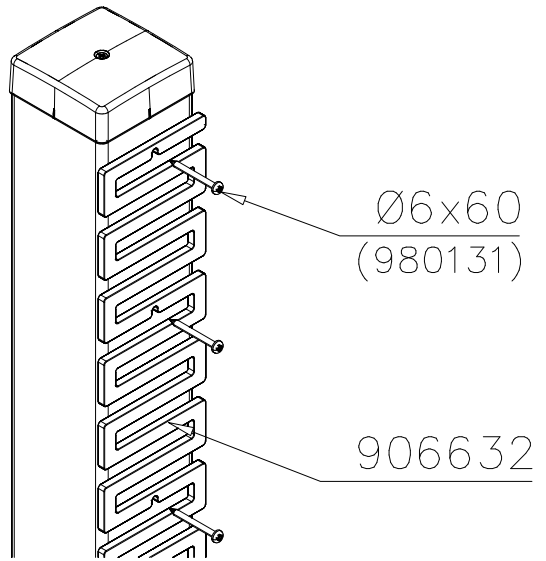




DET 55



DET 56



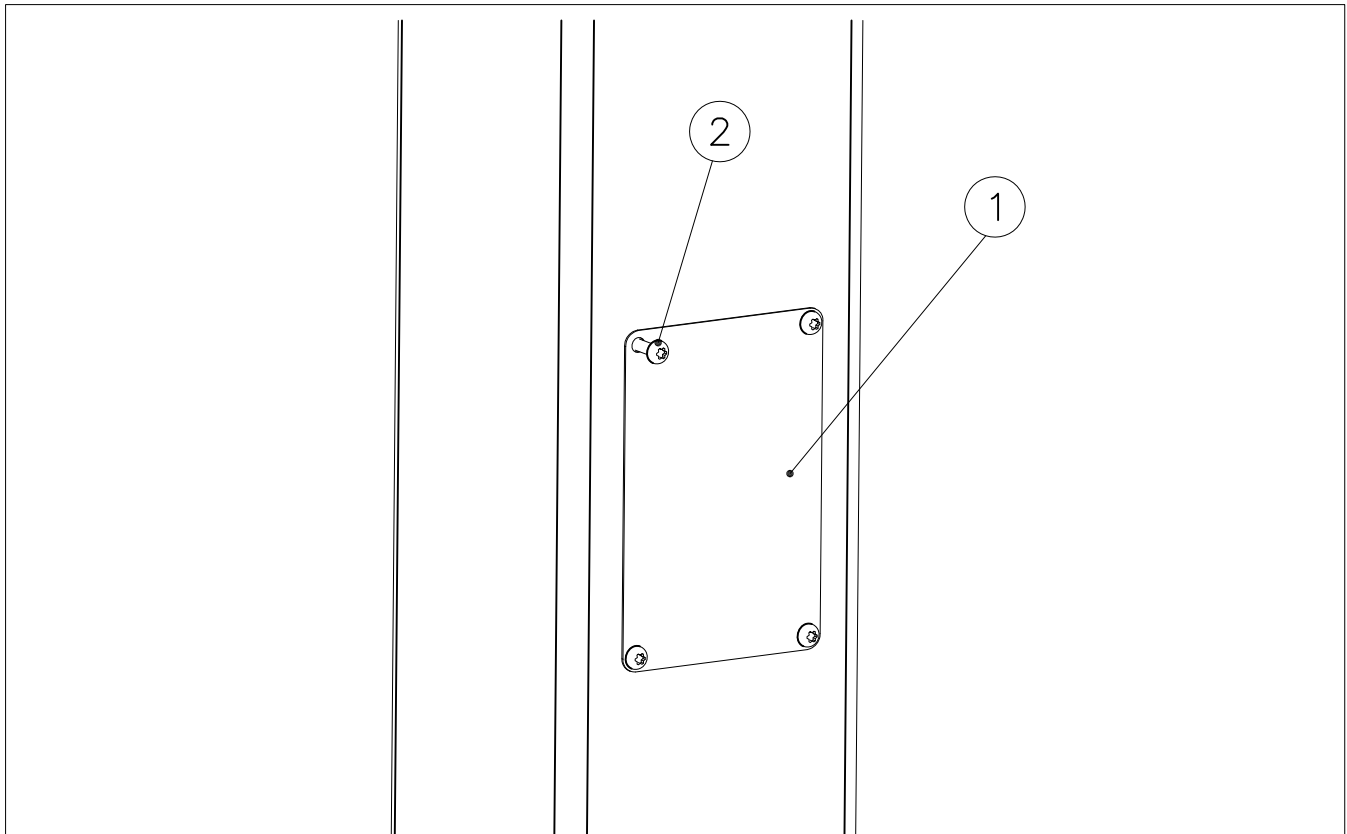
DET 57

DET 58

DET 59

DET 60

① SHEET METAL	PCS	② 980114	PCS
	1		4
118x78x0.7		Ø4x20	



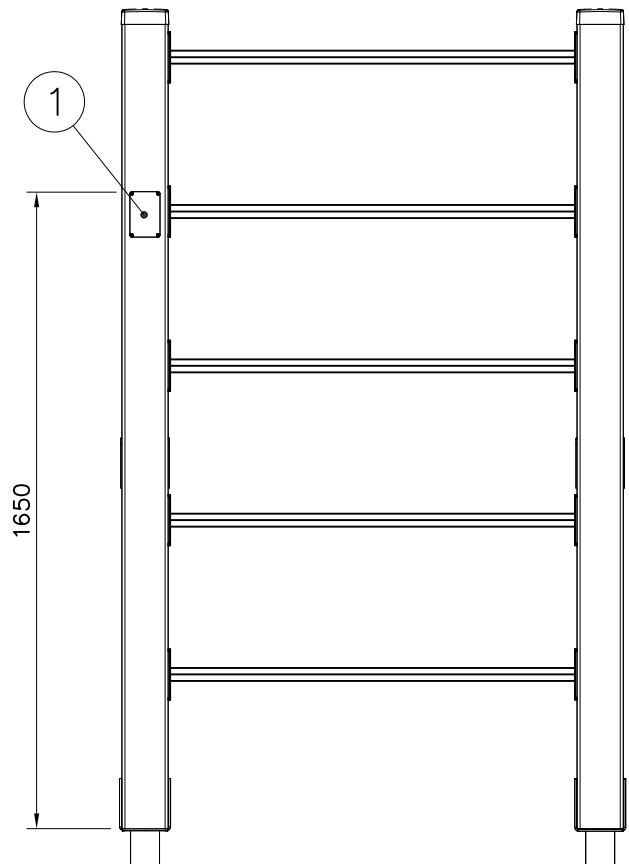
Example installation !
Esimerkki asennus !

Example installation !
Esimerkki asennus !

Example installation !
Esimerkki asennus !



Example installation !
Esimerkki asennus !



Example installation !
Esimerkki asennus !