



PARTS
DET 16

PARTS
DET 35

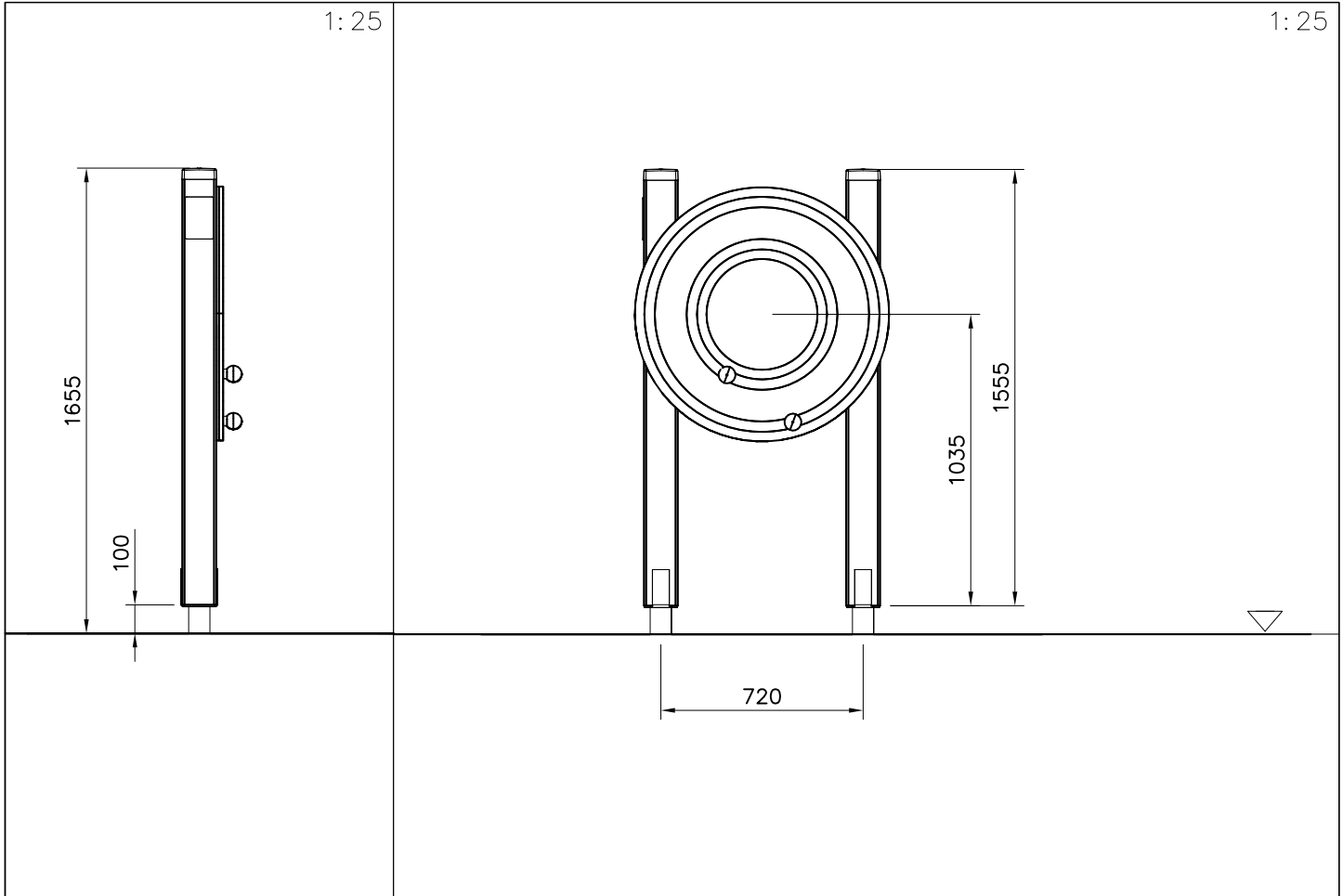
Note:
Huom!

BASE
DET 1-4
or 7-9

①	706049	PCS	②	705345	PCS
		1			2
				120x120x1520	
③	705520	PCS	④	980114	PCS
		1			4
				Ø4x20	
⑤	905104	PCS	⑥	905761	PCS
		8			2
	M10			120x120x700	
⑦	905830	PCS	⑧	906630	PCS
		2			4
	123x123x40			Ø8x60	
⑨	980104	PCS	⑩	980123	PCS
		2			8
	Ø5x90			Ø7x60	
⑪	909256	PCS			PCS
		8			
	Ø16/8.4				

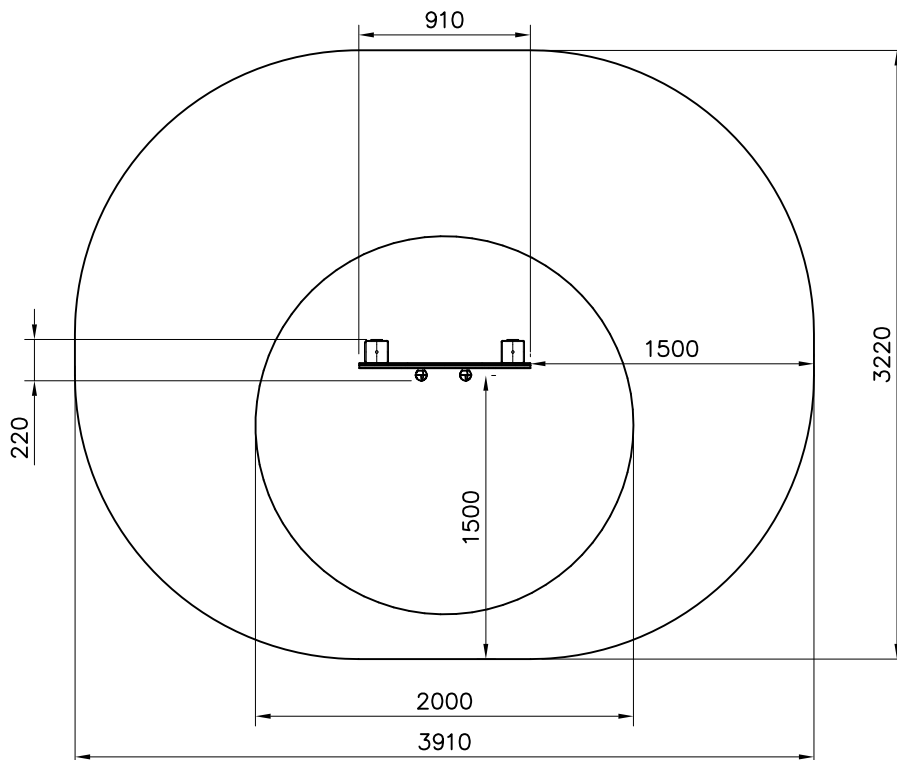
Note:
Water hole.

Huom!
Vesireikä



Area of Movement 10.7 m²
Training Space 3.1 m²
Max Falling Height 0 mm

1:40



												
<p>$h < 600$</p> <p>Without movement and therefore without Impact Area</p>	<p>Totally hard surfaces.</p> <p>Note. Lappset does <u>not recommend</u> totally hard surfaces at all.</p>	<p>E.g. concrete or asphalt</p> 										
<p>$h < 600$</p> <p>With movement e.g. rocking</p>	<p>Materials with very limited impact attenuating properties.</p>	<p>E.g. wood</p> 										
<p>$h < 1000$</p>	<p>Materials with significant impact attenuating properties.</p>	<p>fine gravel 0–8 mm</p>  <p>grass</p>  <p>unsorted sand</p> 										
<p>$h < 3000$</p>	<p>Loose fill material</p> <p>E.g. sand/gravel 0,25...8 mm D60/D10<3,0 Woodchips 5...30 mm bark 20...80 mm</p>	 <table data-bbox="1021 1691 1332 1792"> <tr> <td>\underline{S}</td> <td>\underline{h}</td> </tr> <tr> <td>30 cm</td> <td>< 2,0 m</td> </tr> <tr> <td>40 cm</td> <td>< 3,0 m</td> </tr> </table>	\underline{S}	\underline{h}	30 cm	< 2,0 m	40 cm	< 3,0 m				
\underline{S}	\underline{h}											
30 cm	< 2,0 m											
40 cm	< 3,0 m											
	<p>Syntethic granulates</p> <table data-bbox="406 1892 758 2060"> <tr> <td>\underline{S}</td> <td>\underline{h}</td> </tr> <tr> <td>40 mm</td> <td>~> 1,2...1,3 m</td> </tr> <tr> <td>50 mm</td> <td>~> 1,5...1,7 m</td> </tr> <tr> <td>60 mm</td> <td>~> 1,8...2,0 m</td> </tr> <tr> <td>70 mm</td> <td>~> 2,1...2,5 m</td> </tr> </table> <p>Note. For accurate values, see manufacturer's instructions.</p>	\underline{S}	\underline{h}	40 mm	~> 1,2...1,3 m	50 mm	~> 1,5...1,7 m	60 mm	~> 1,8...2,0 m	70 mm	~> 2,1...2,5 m	
\underline{S}	\underline{h}											
40 mm	~> 1,2...1,3 m											
50 mm	~> 1,5...1,7 m											
60 mm	~> 1,8...2,0 m											
70 mm	~> 2,1...2,5 m											

REMOVE SAFETY SURFACE/SAND/GRAVEL
TO CHECK FOUNDATION

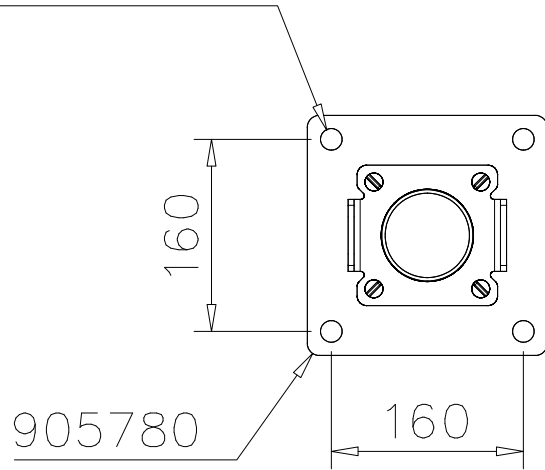


REMOVE SAFETY SURFACE/SAND/GRAVEL
TO CHECK FOUNDATION

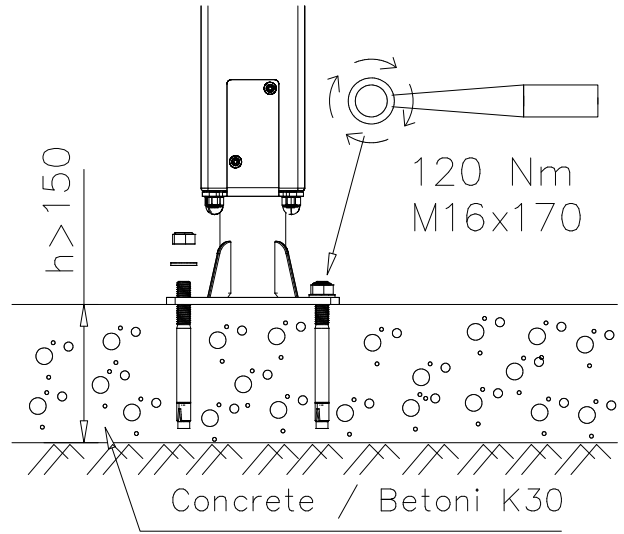


DET 1

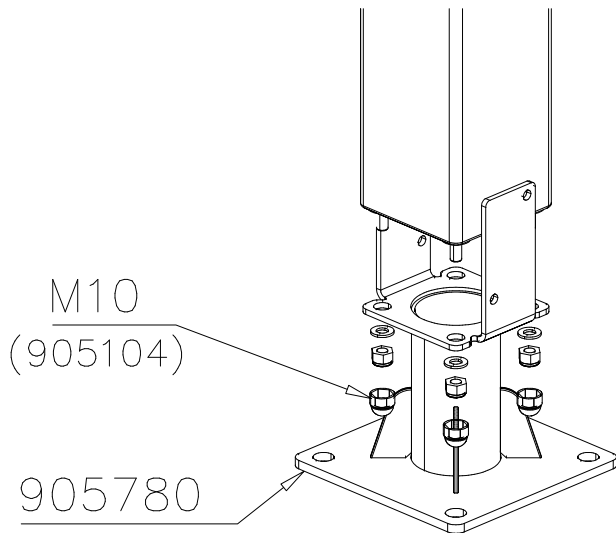
$\varnothing 16 \downarrow > 130$



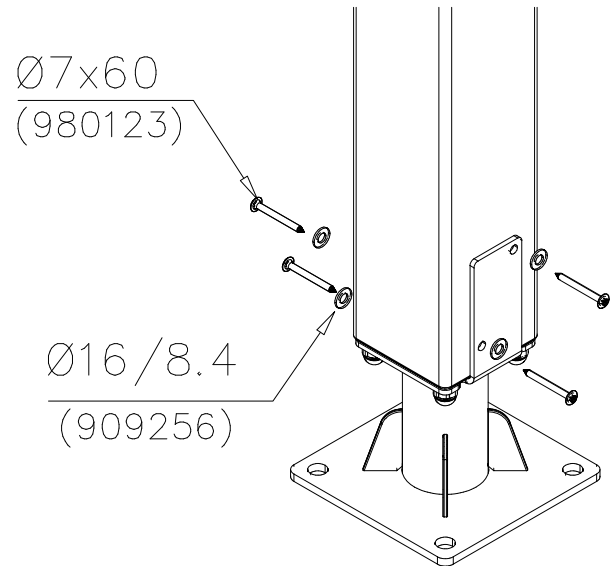
DET 2



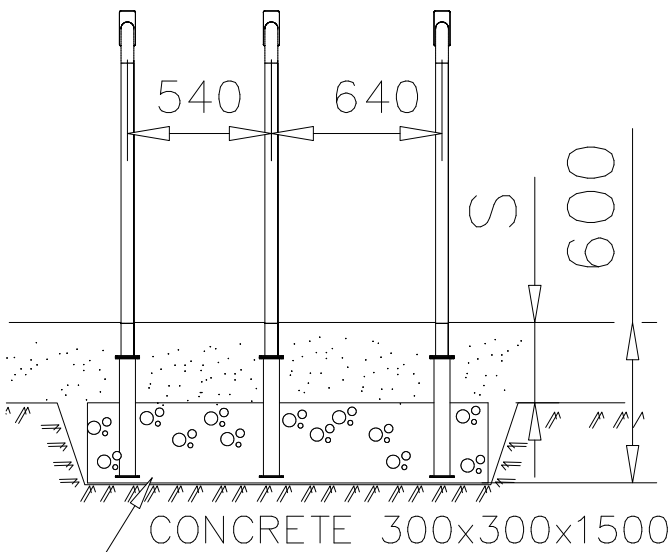
DET 3



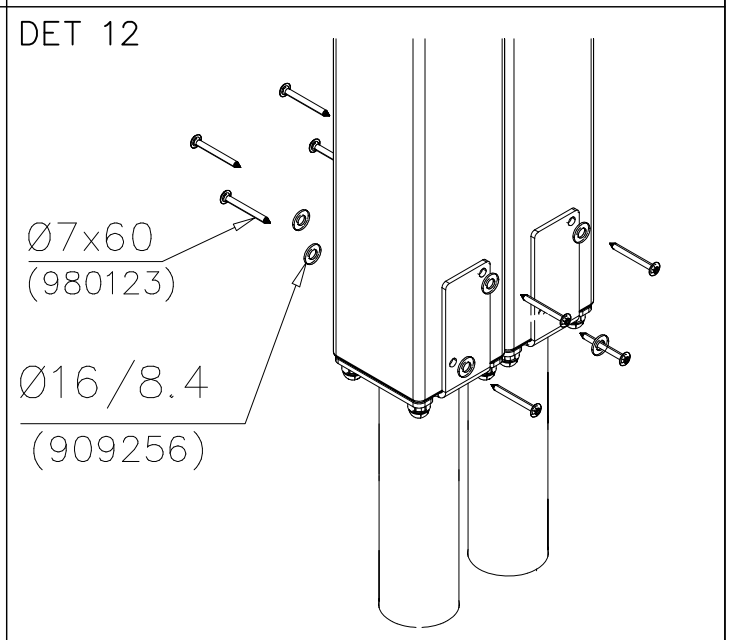
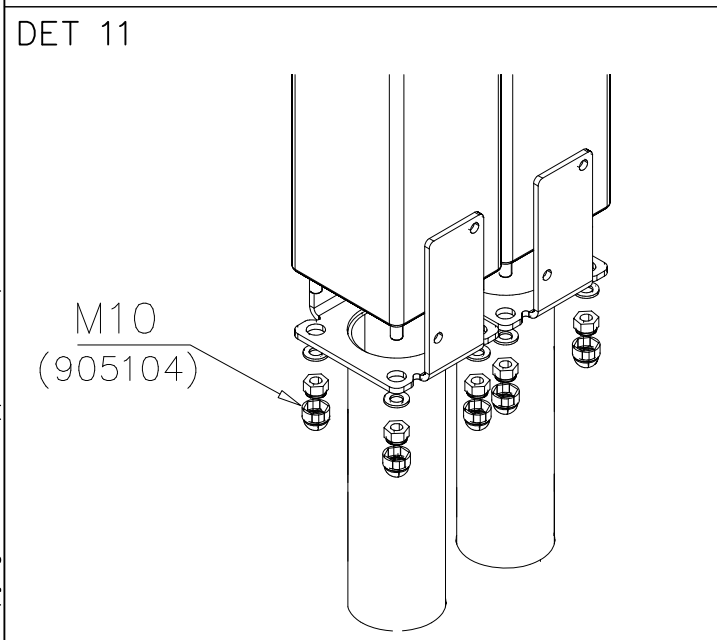
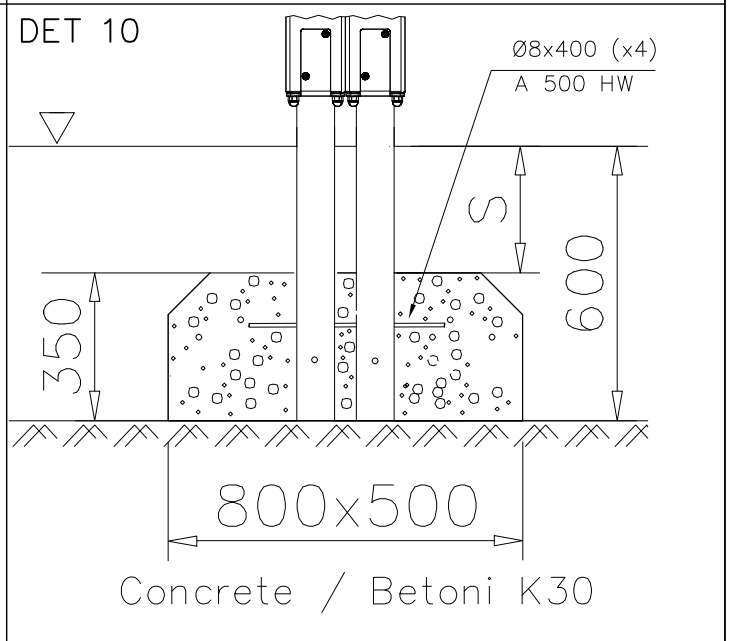
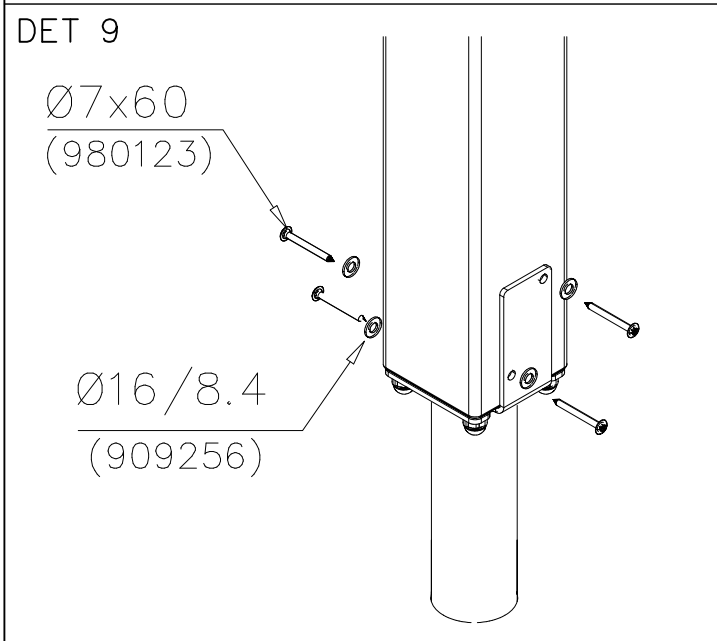
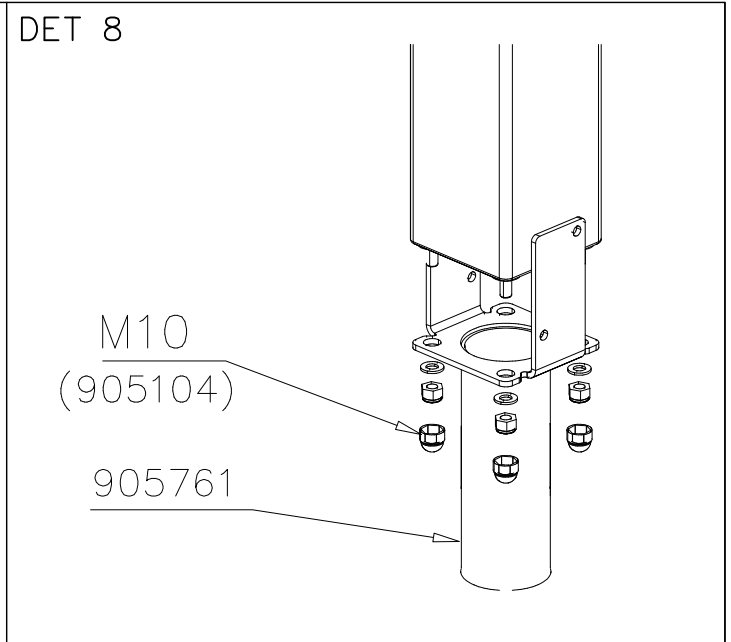
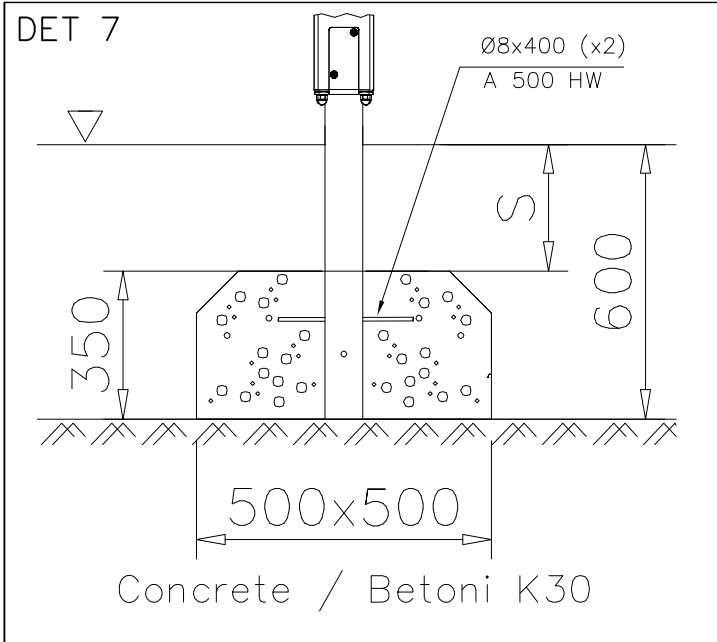
DET 4



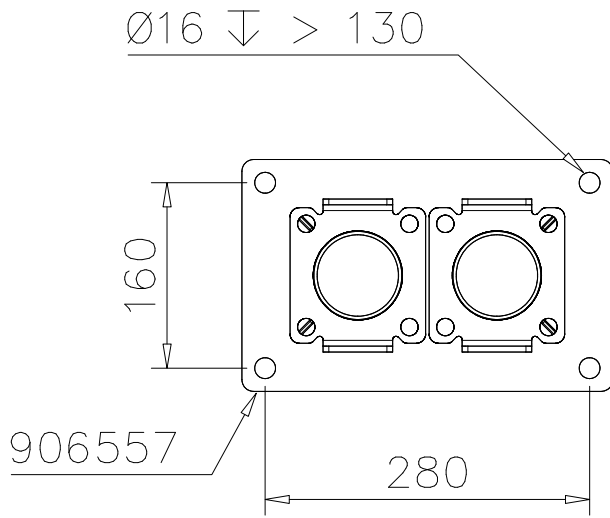
DET 5



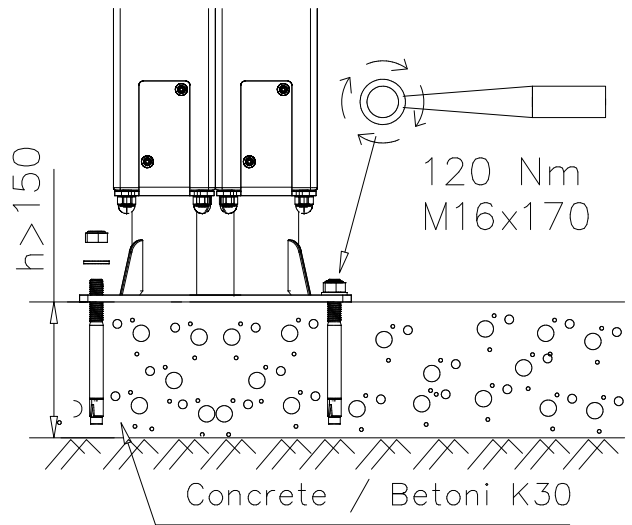
DET 6



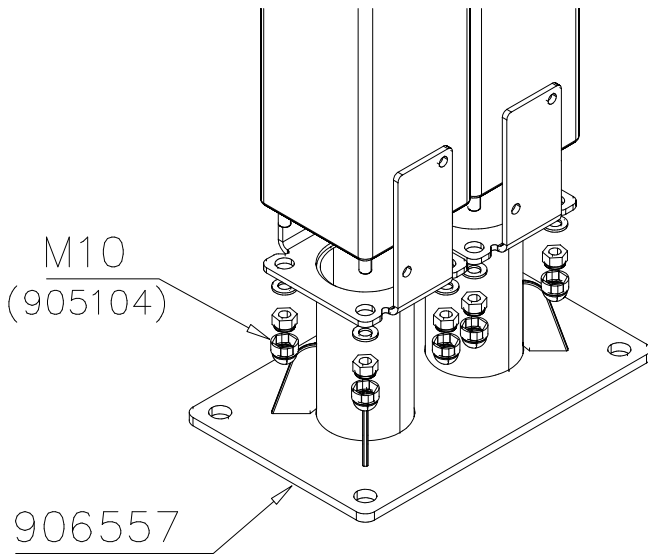
DET 13



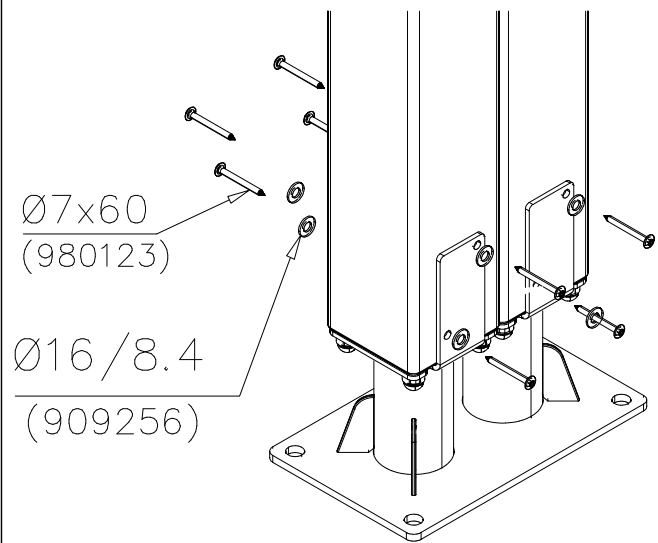
DET 14



DET 15

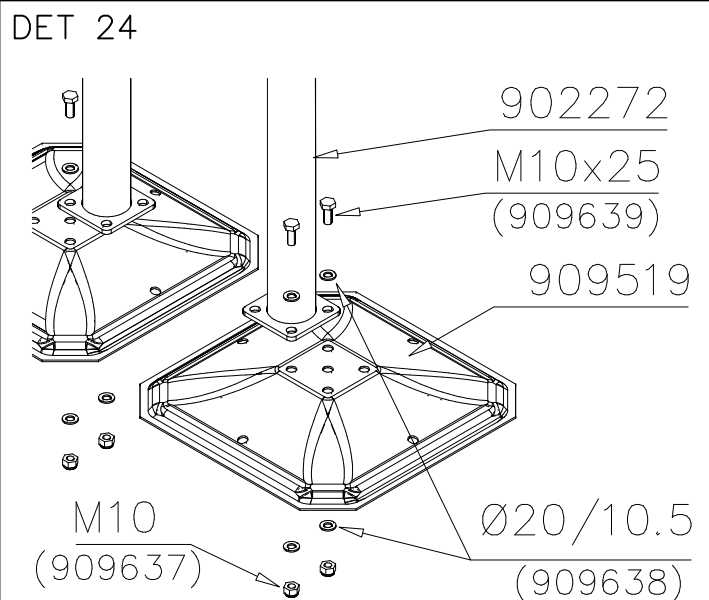
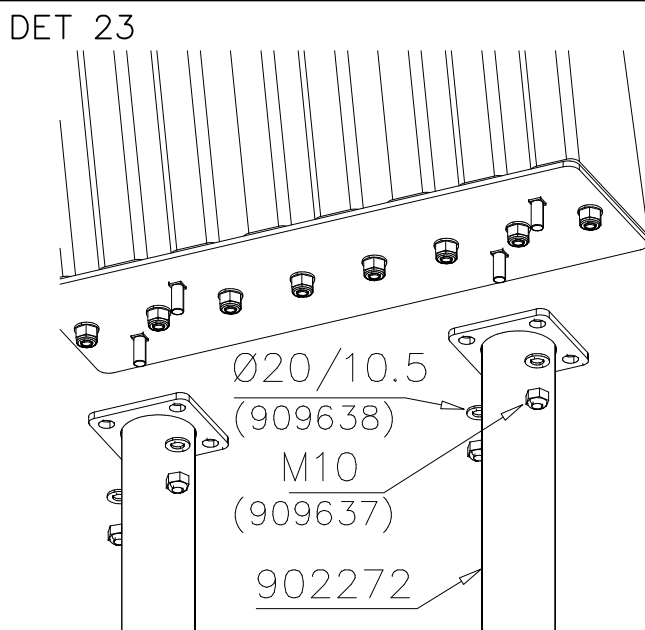
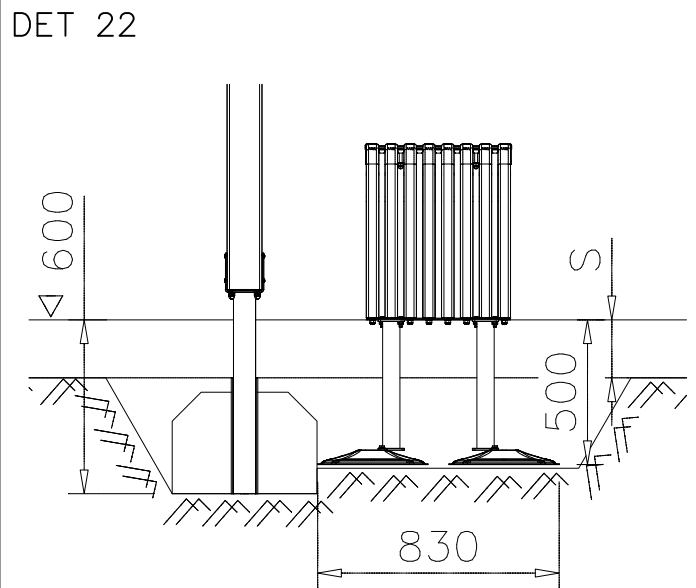
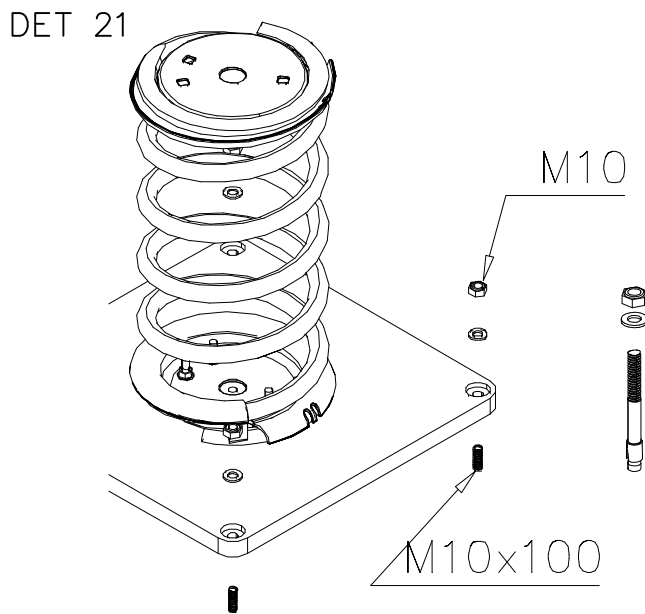
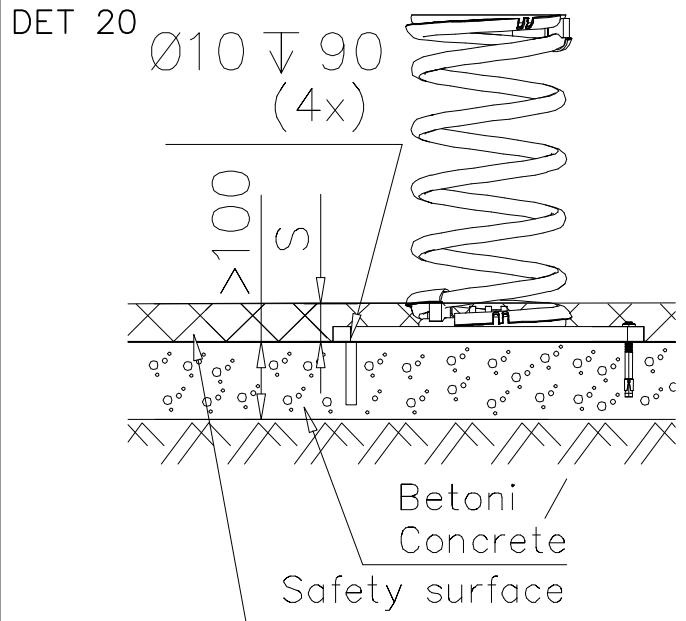
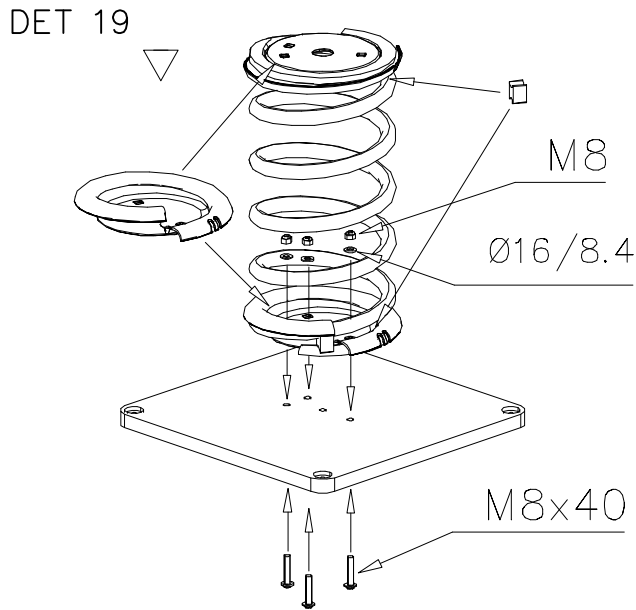


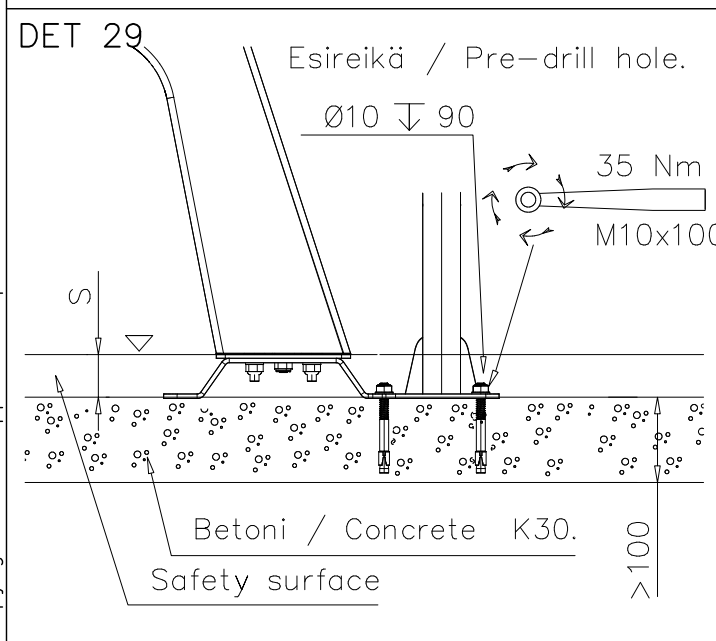
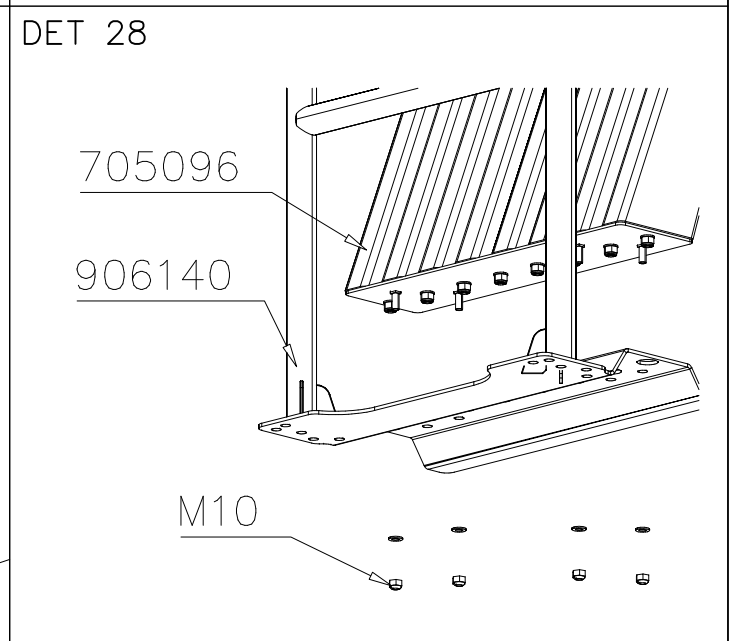
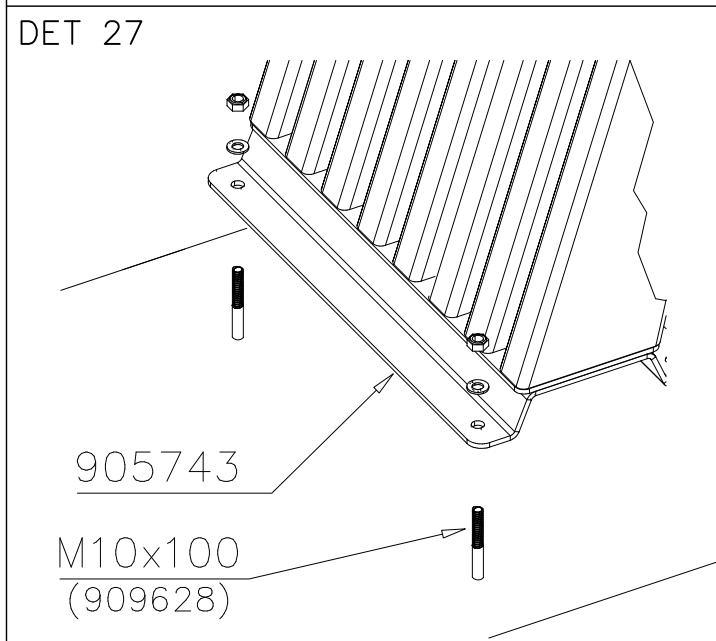
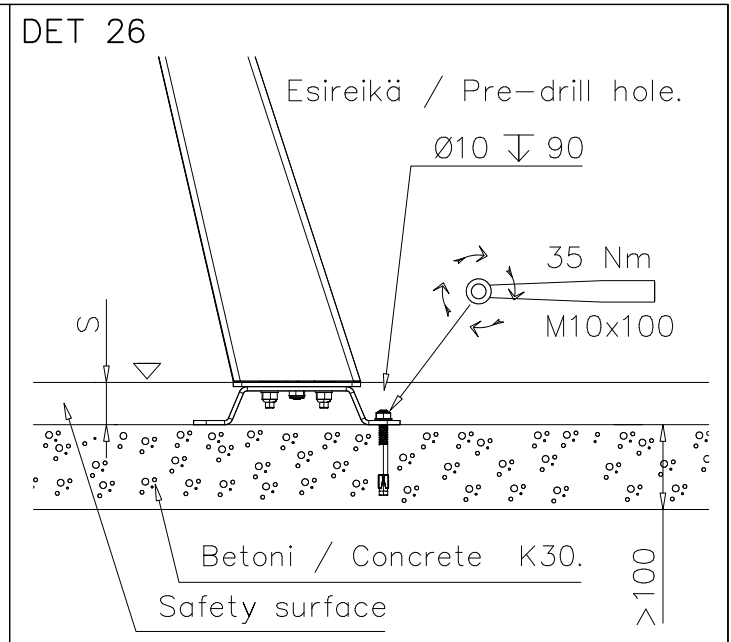
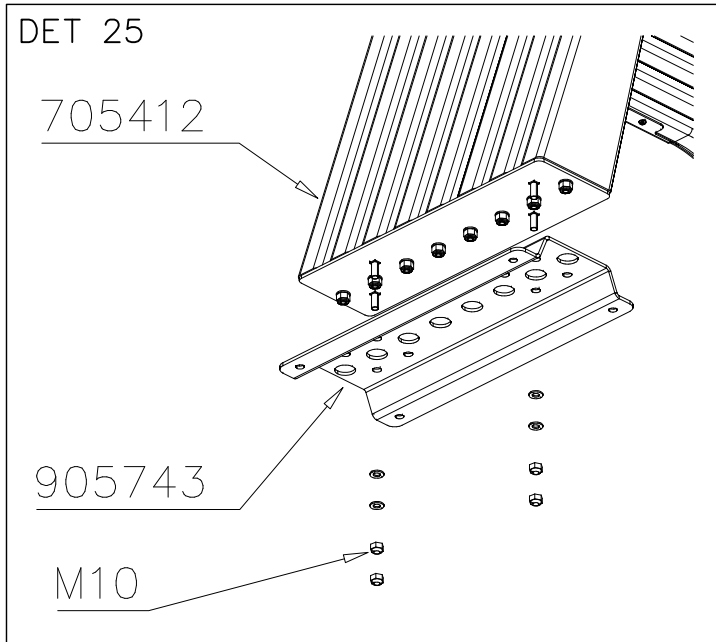
DET 16



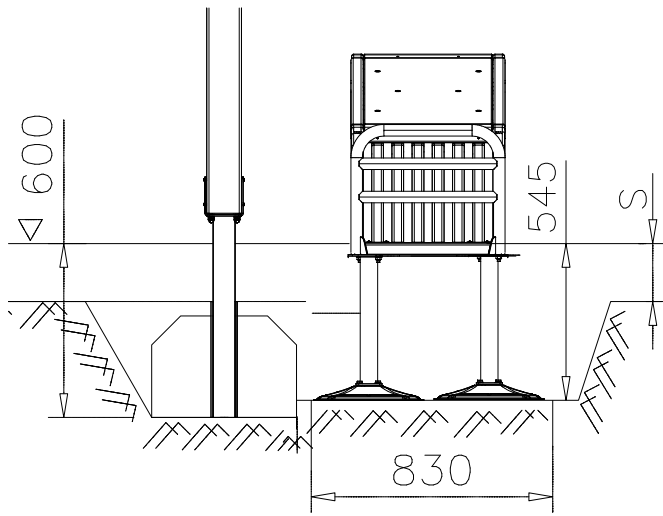
DET 17

DET 18

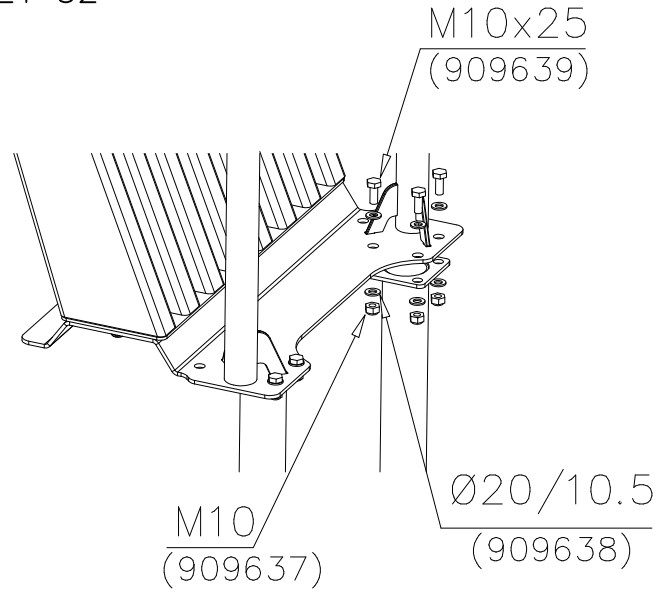




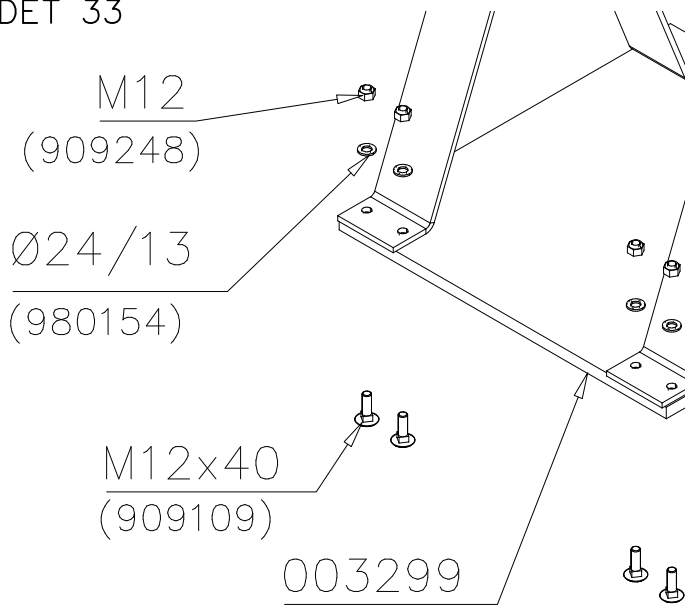
DET 31



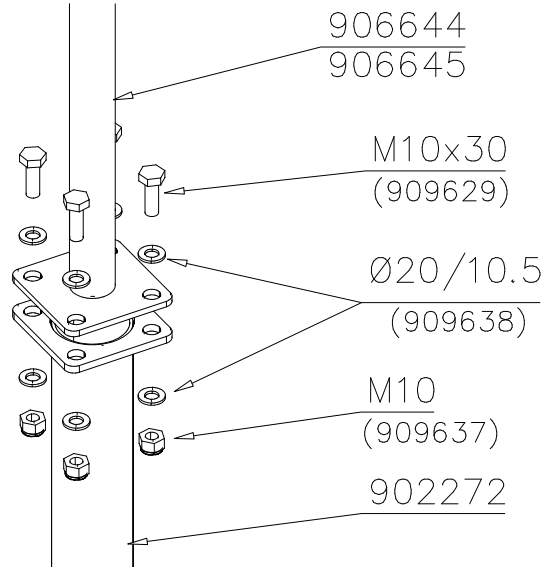
DET 32



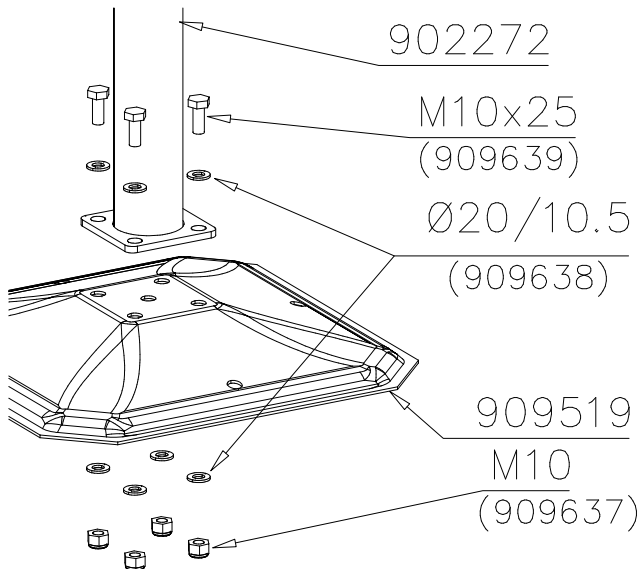
DET 33



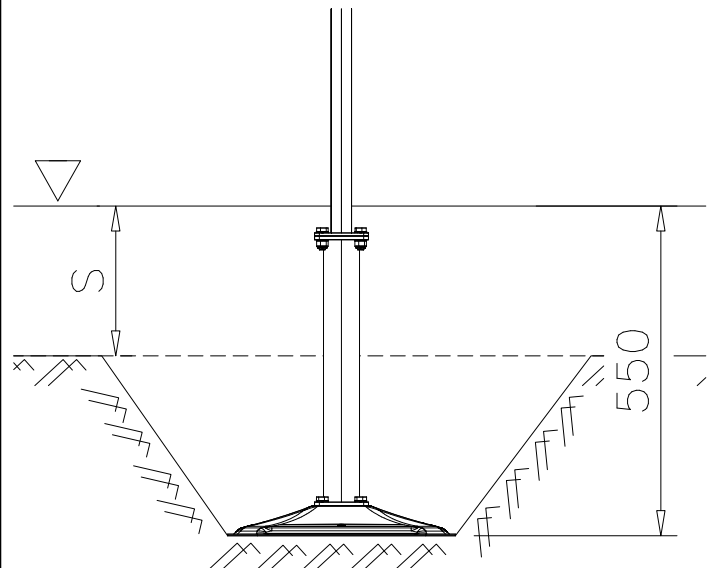
DET 34



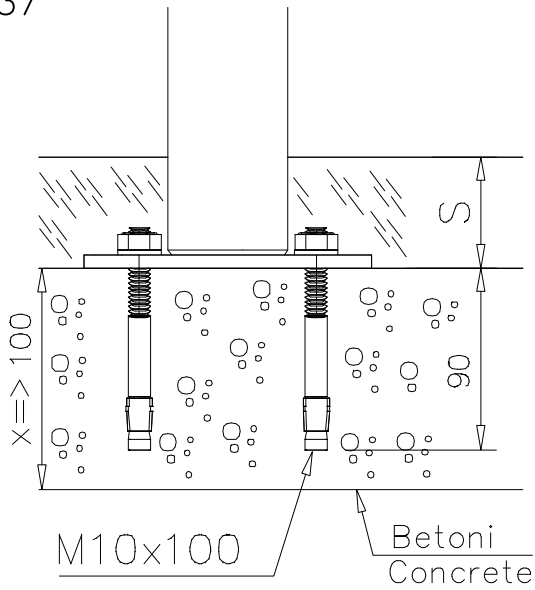
DET 35



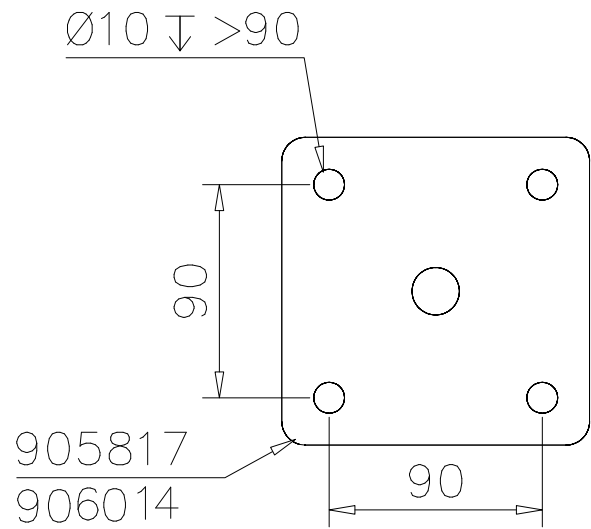
DET 36



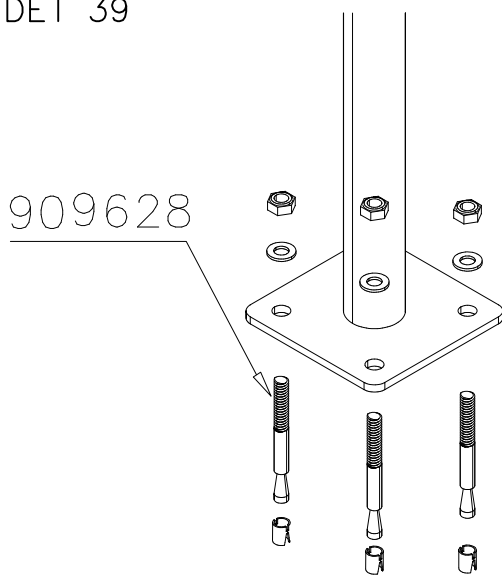
DET 37



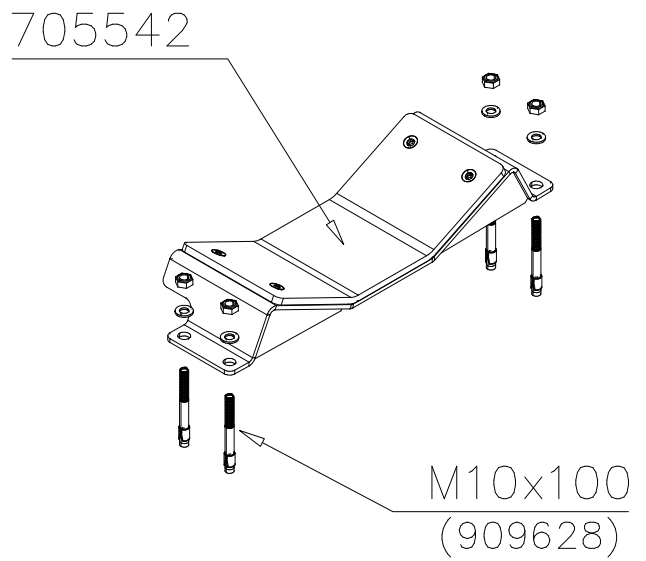
DET 38



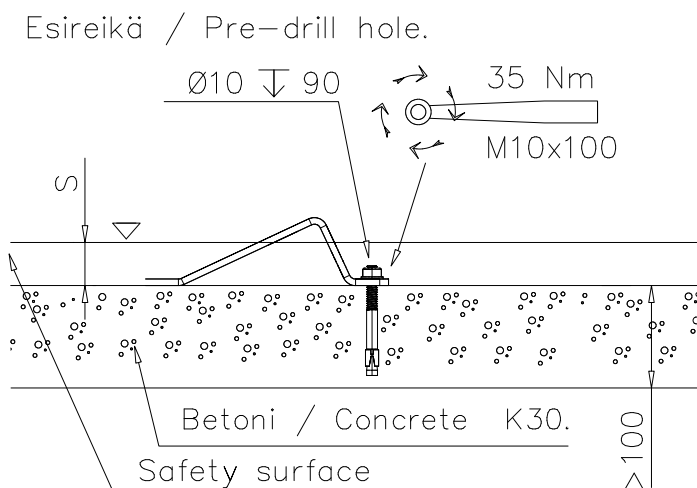
DET 39



DET 40



DET 41



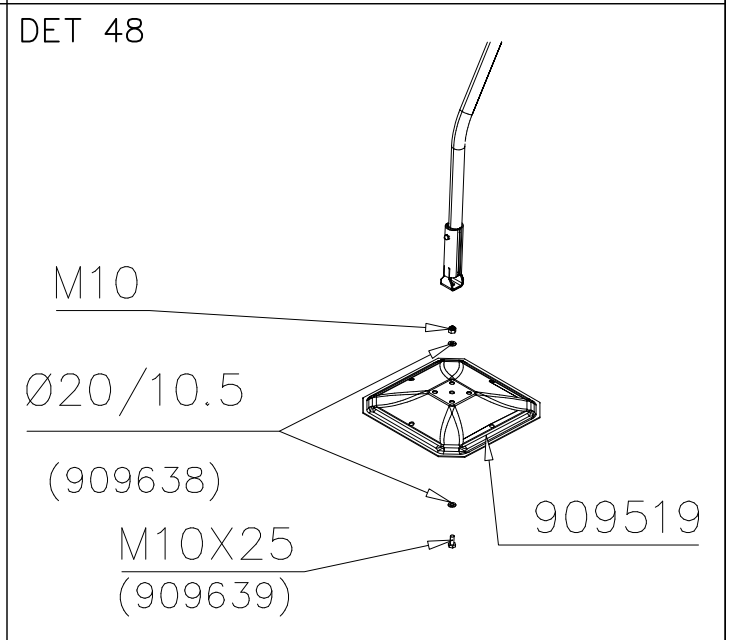
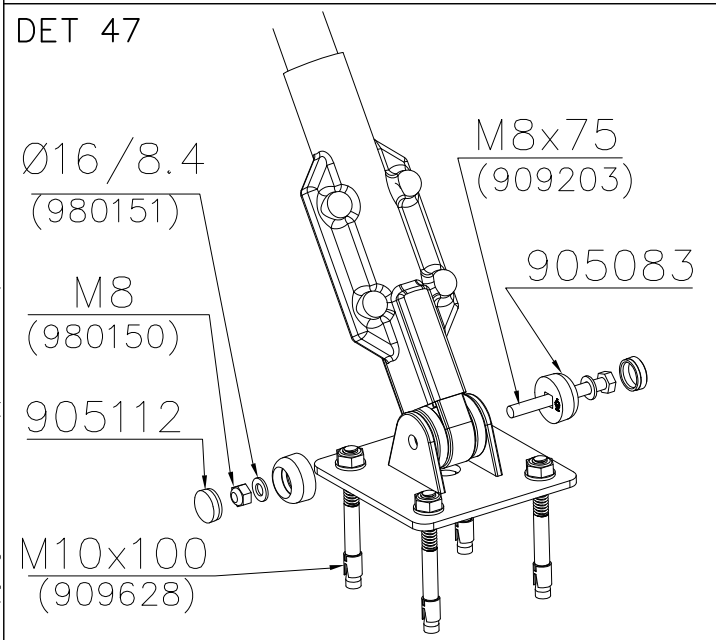
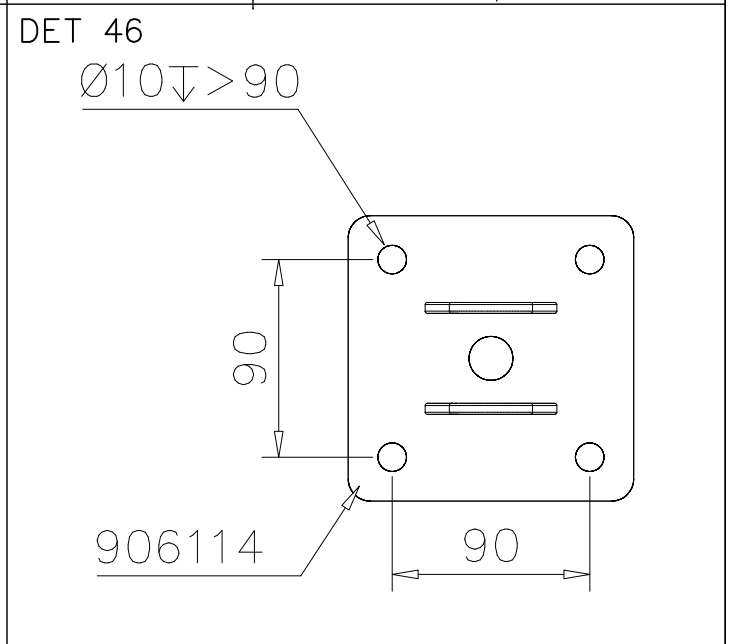
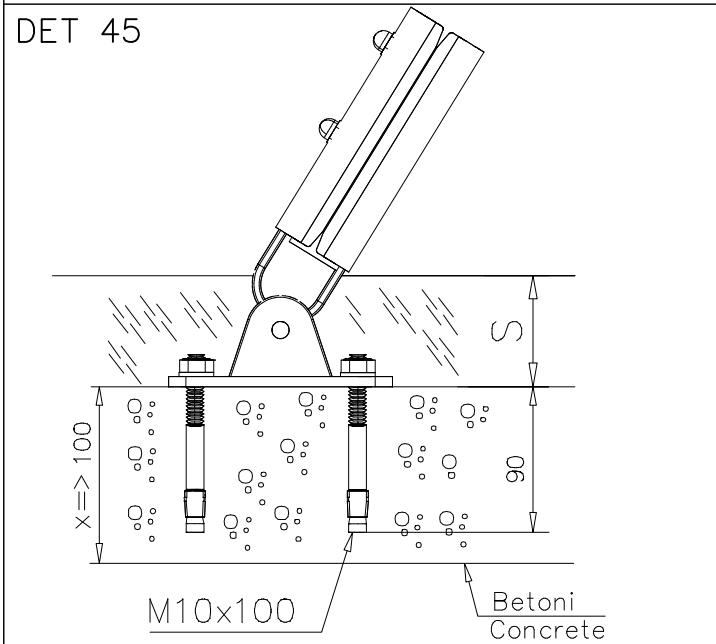
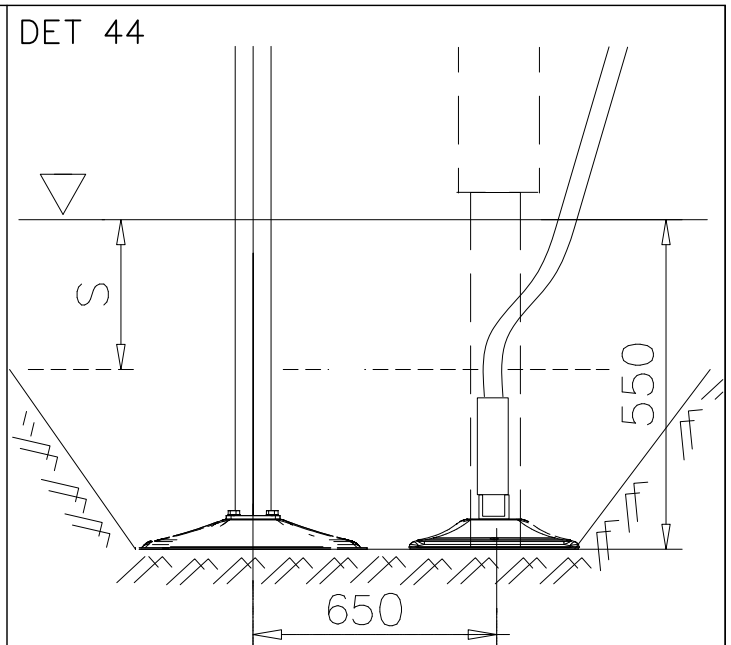
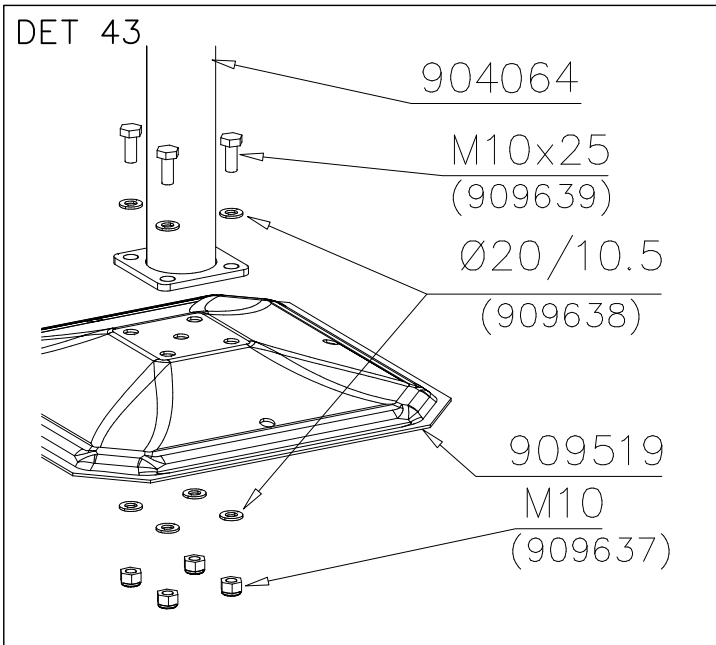
DET 42

LAPPSET SPORT

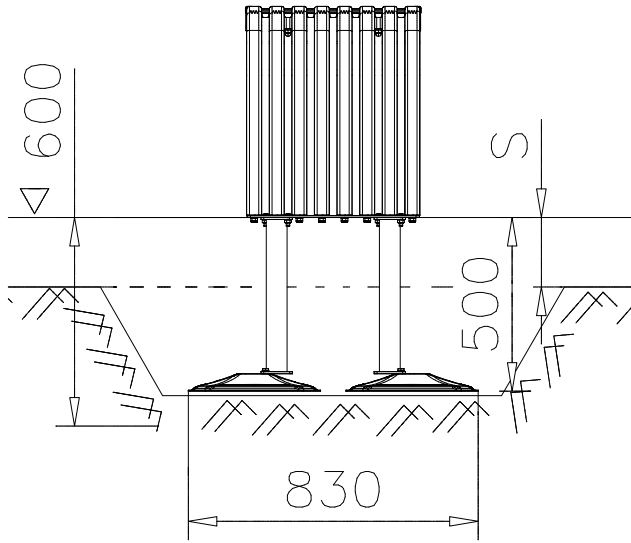
BASE

DATE: 15.8.2017

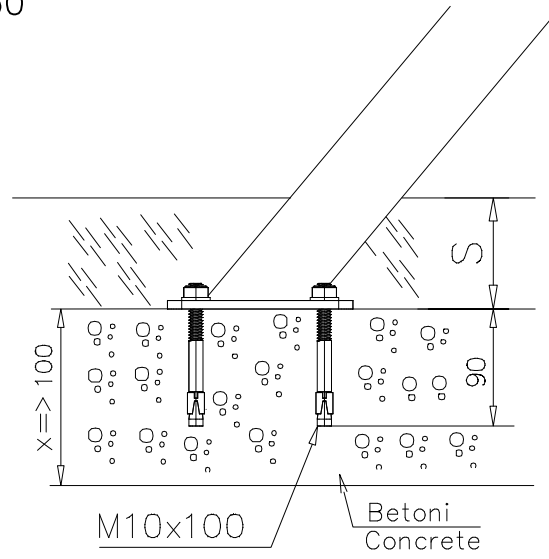
8(10)



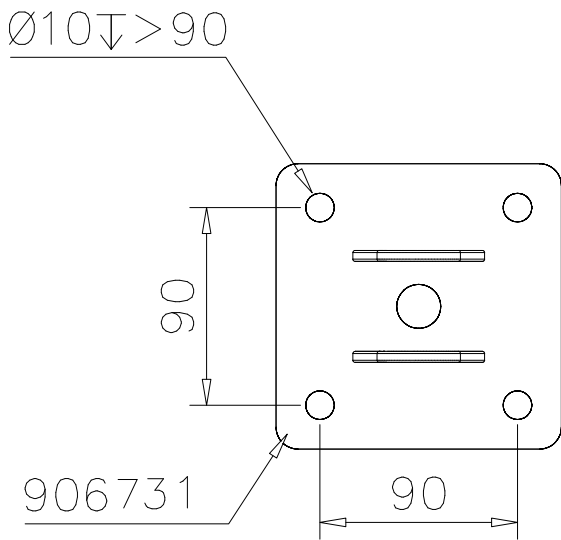
DET 49



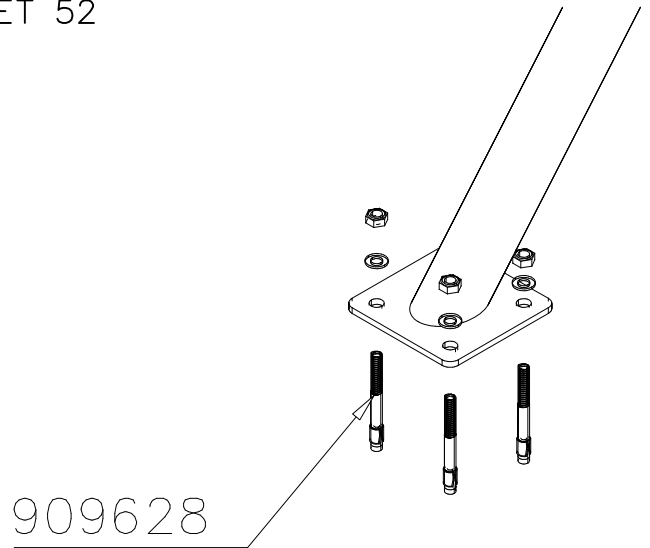
DET 50



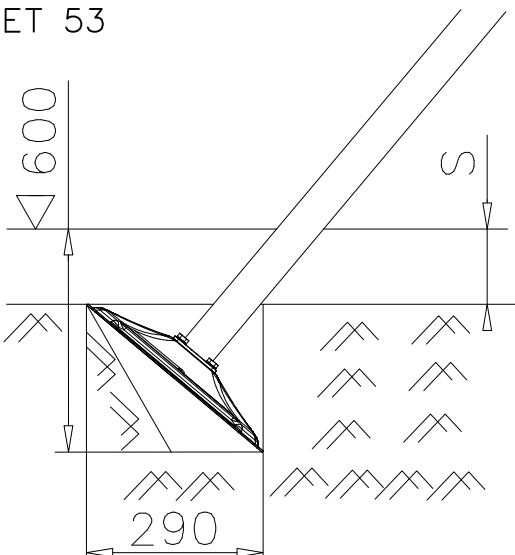
DET 51



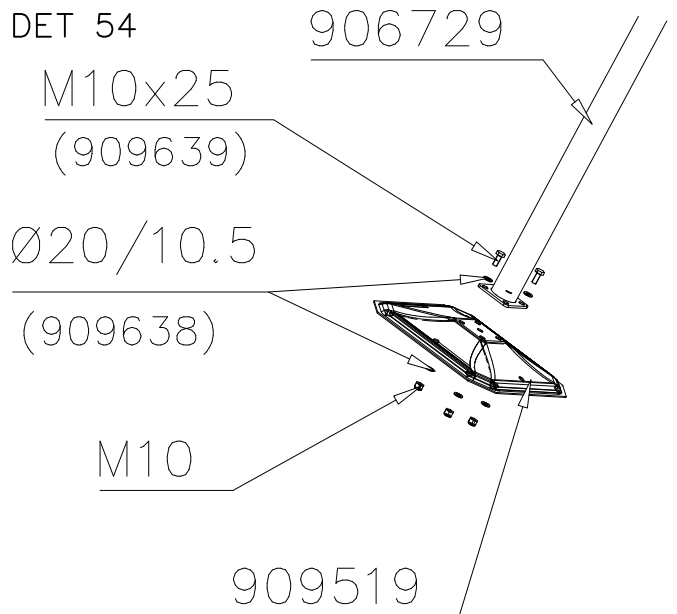
DET 52



DET 53

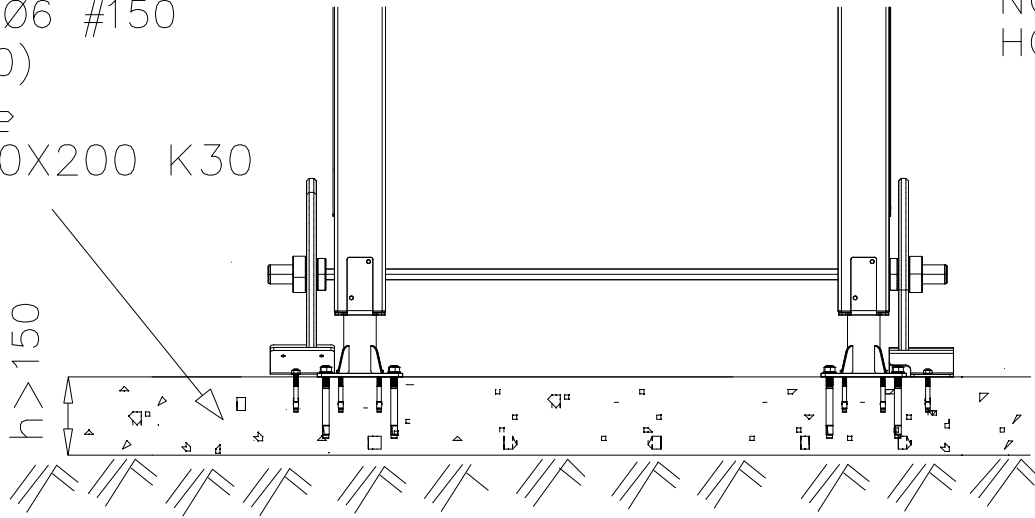


DET 54



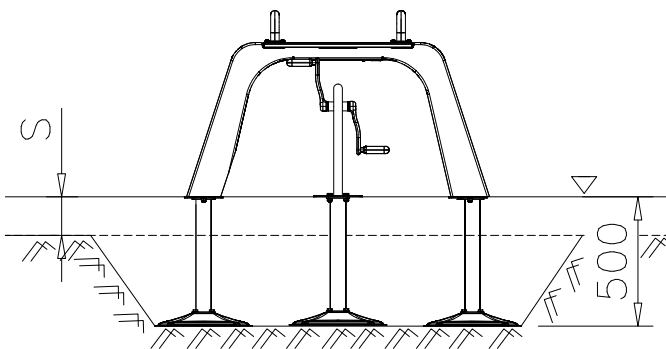
DET 55

STEELNET Ø6 #150
(1400x2100)
Concrete
1500X2200X200 K30

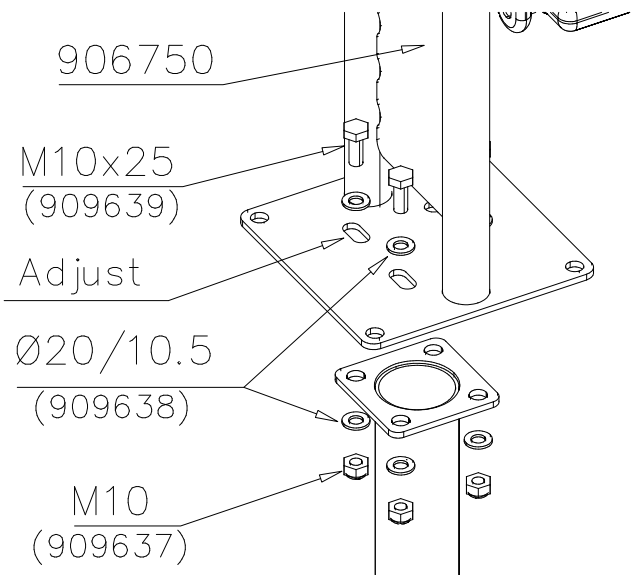


NOTE!
HOX!

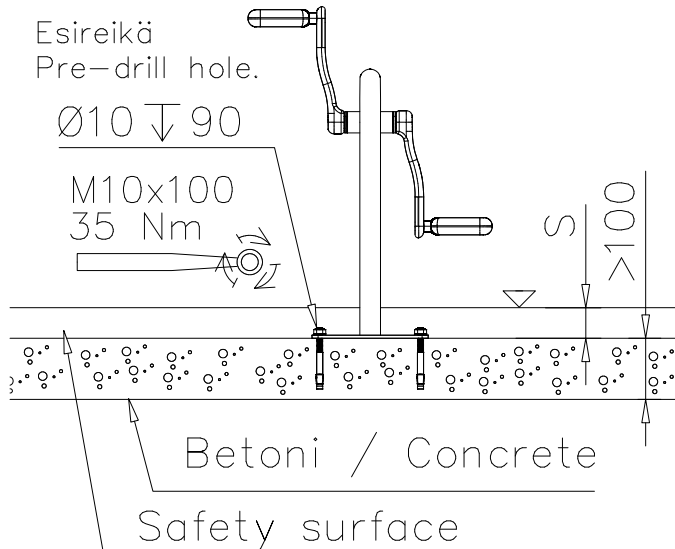
DET 56



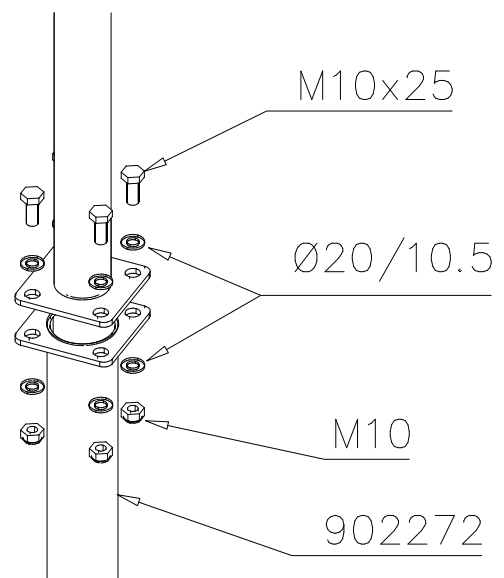
DET 57



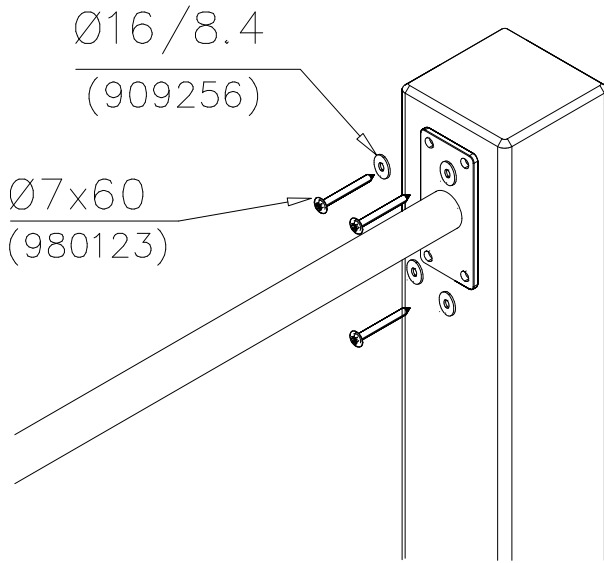
DET 58



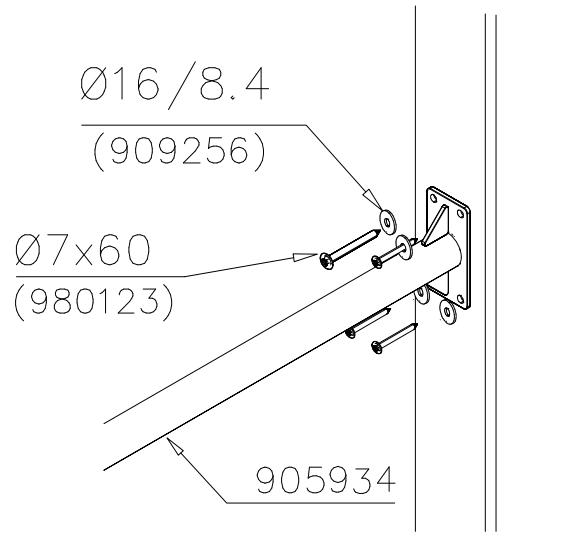
DET 59



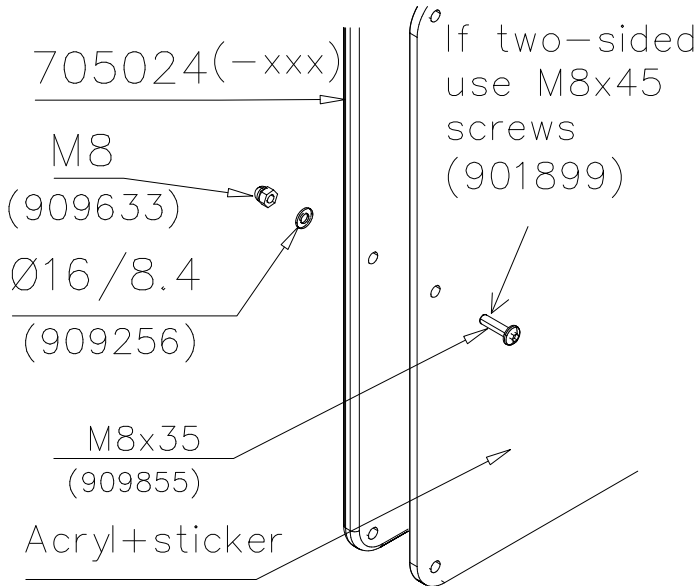
DET 1



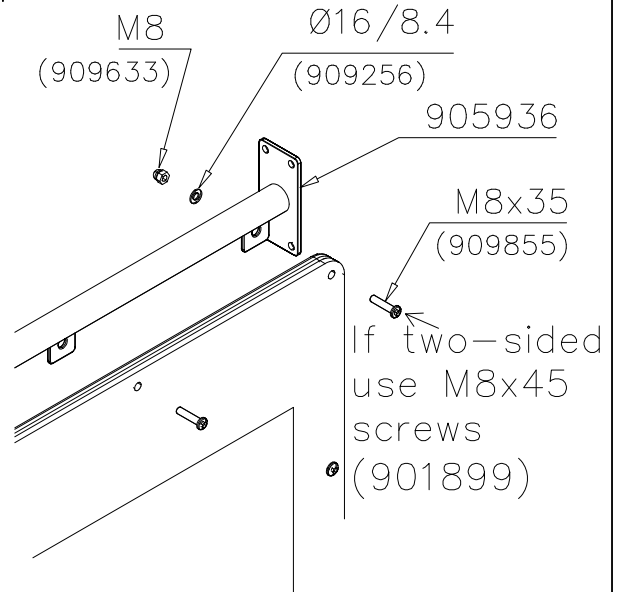
DET 2



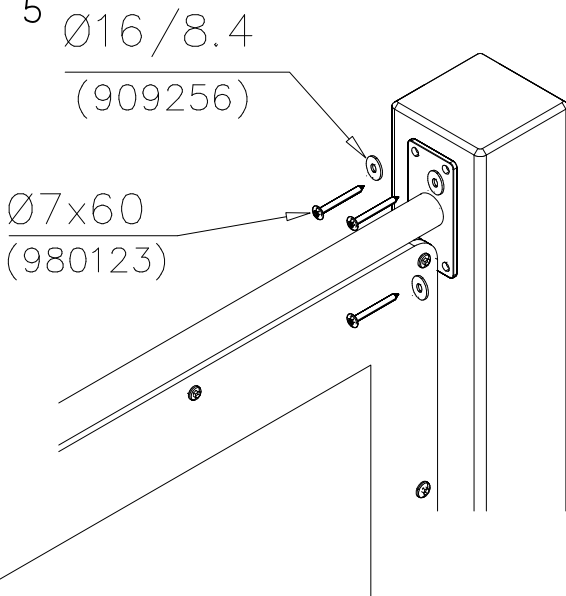
DET 3



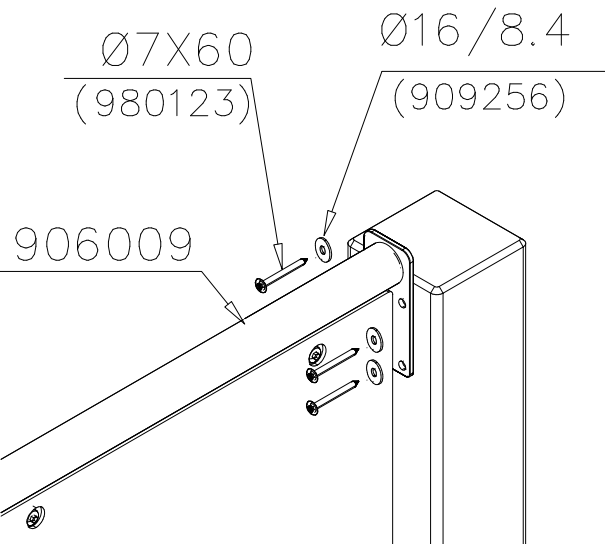
DET 4

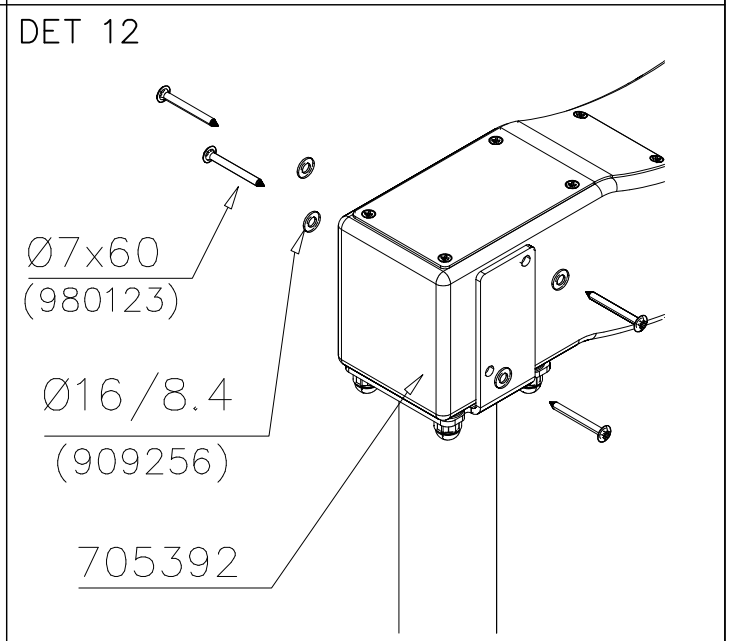
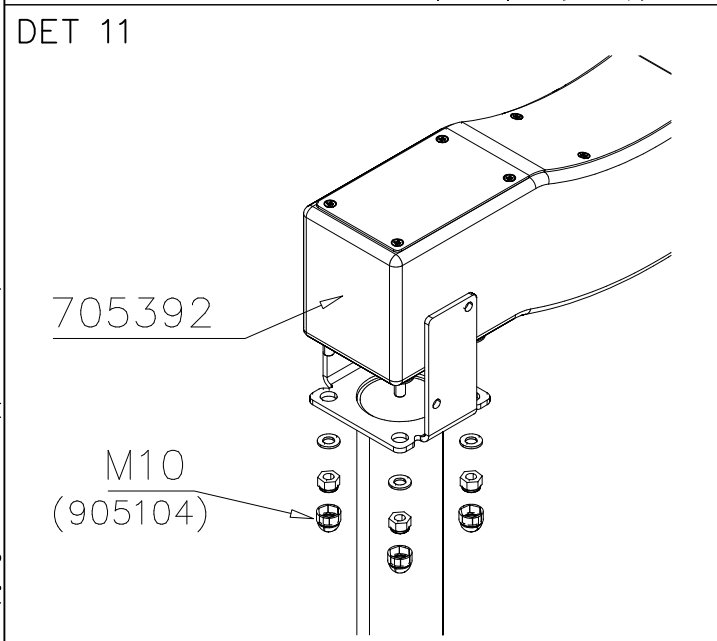
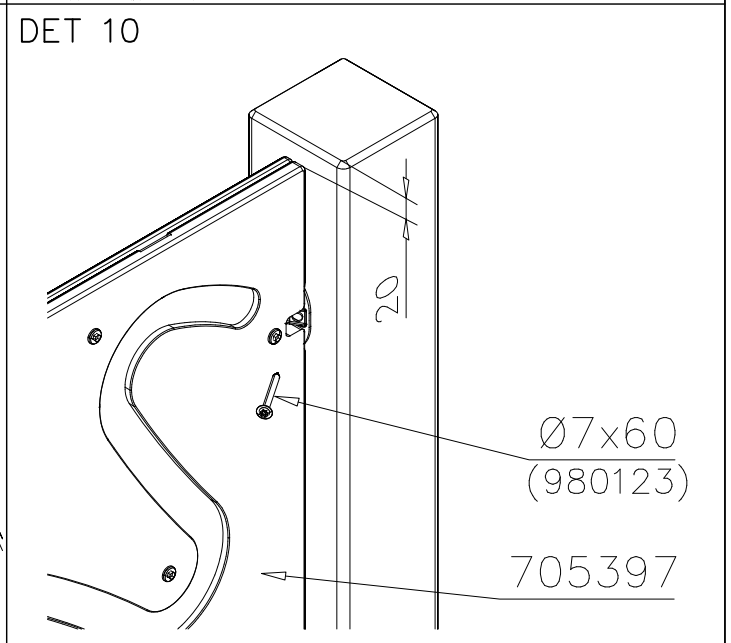
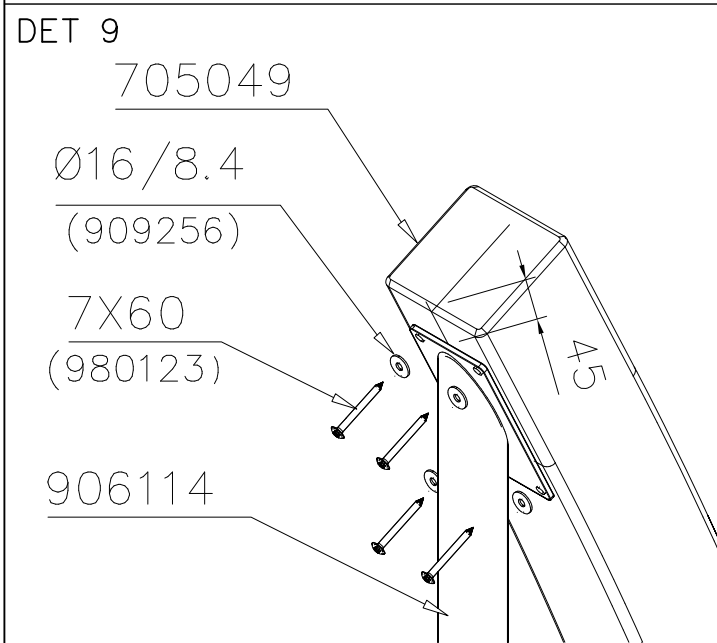
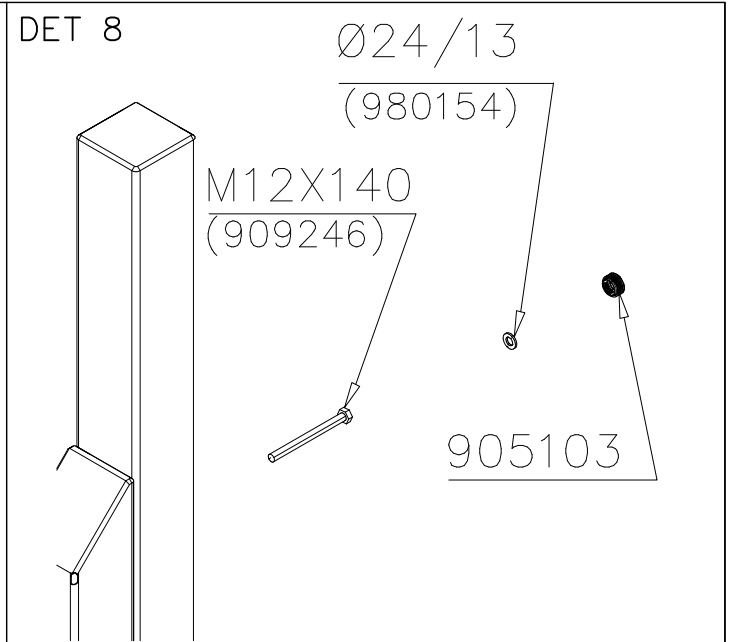
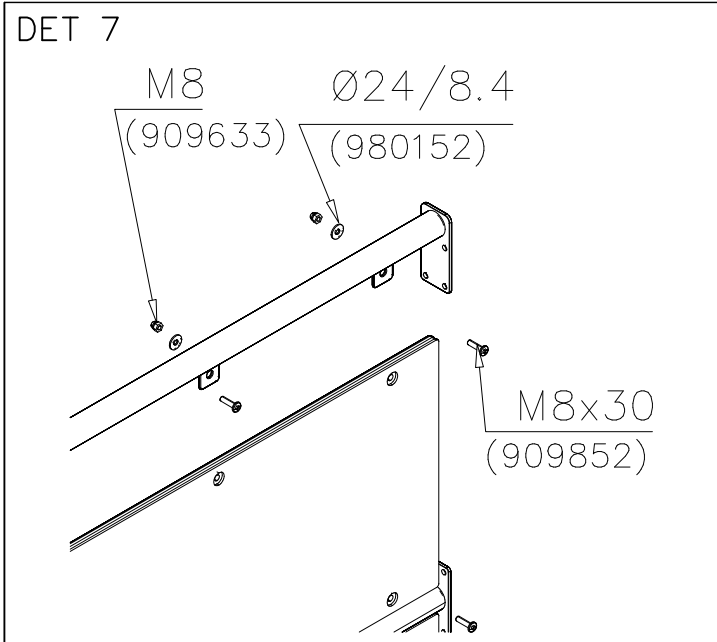


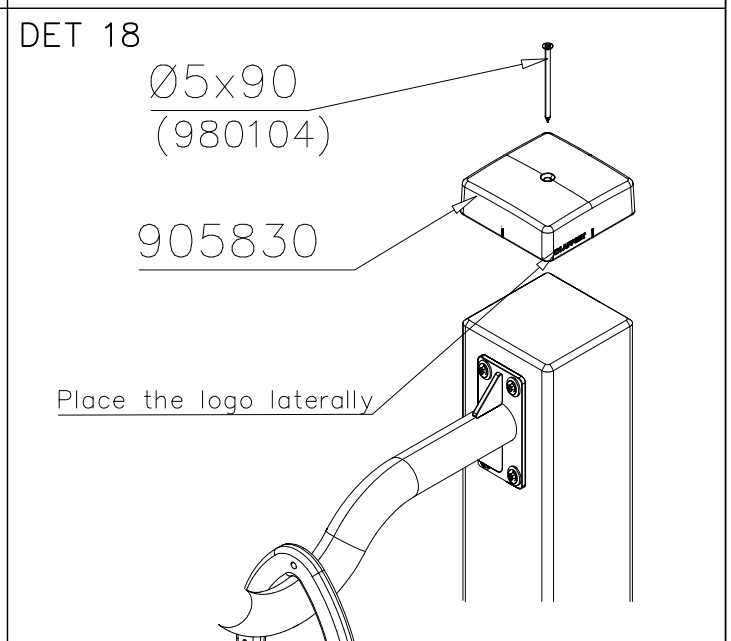
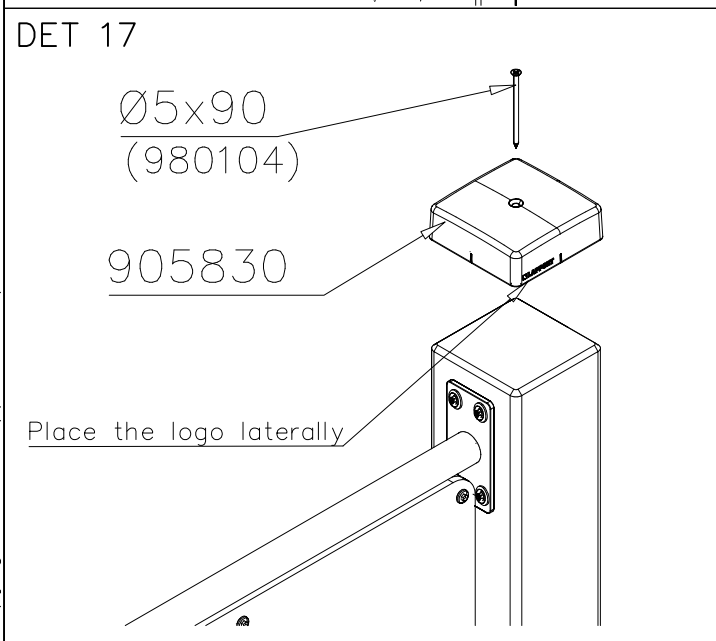
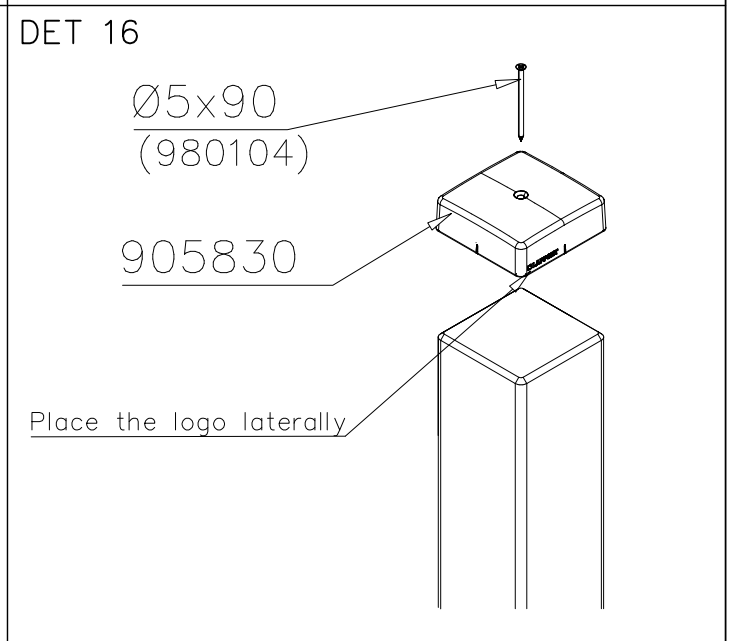
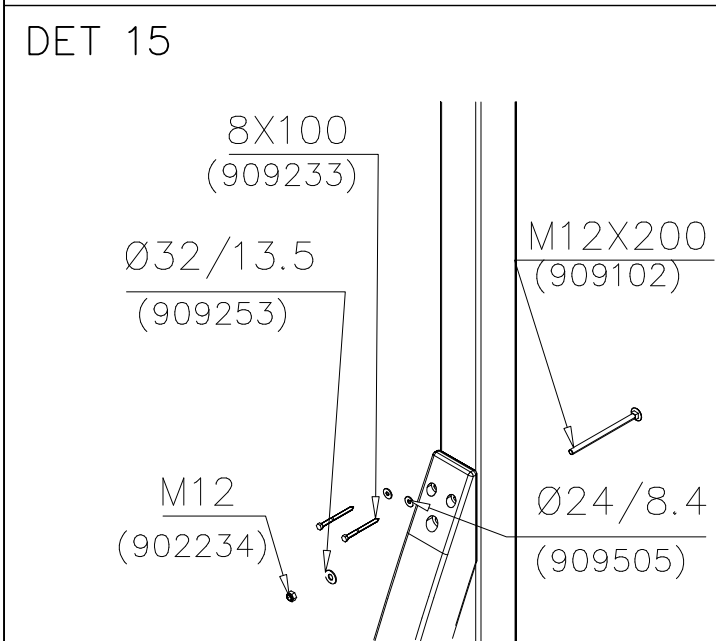
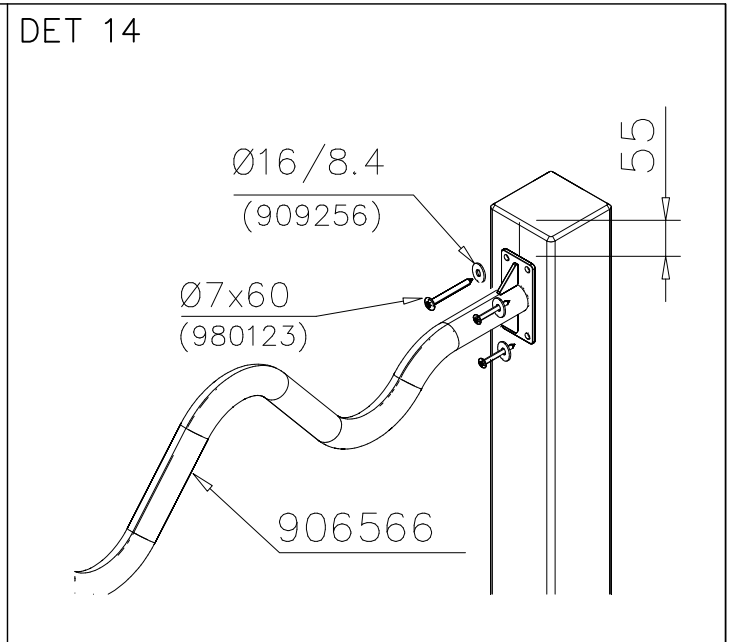
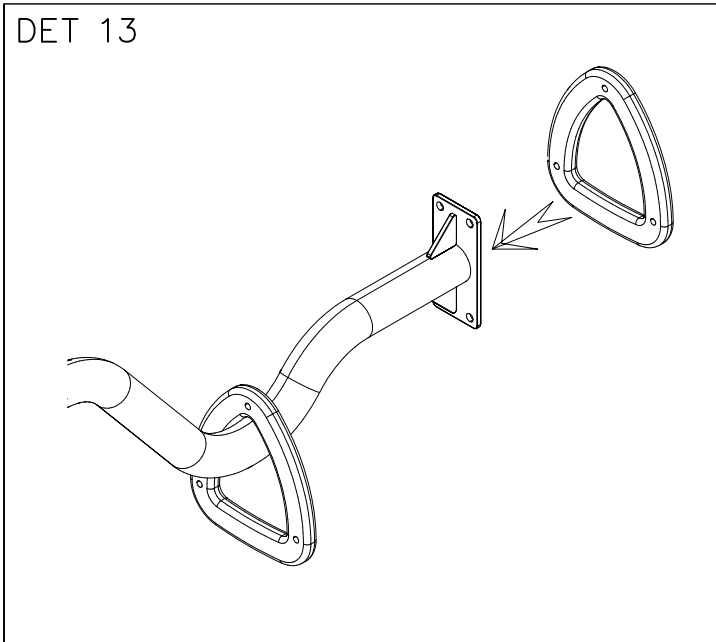
DET 5



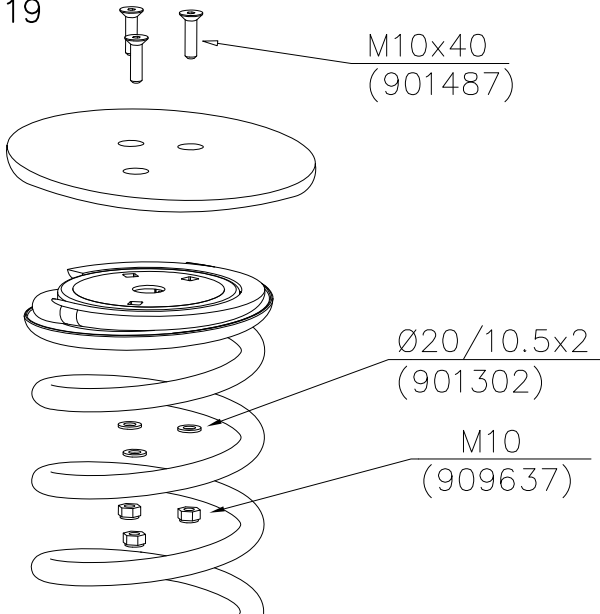
DET 6



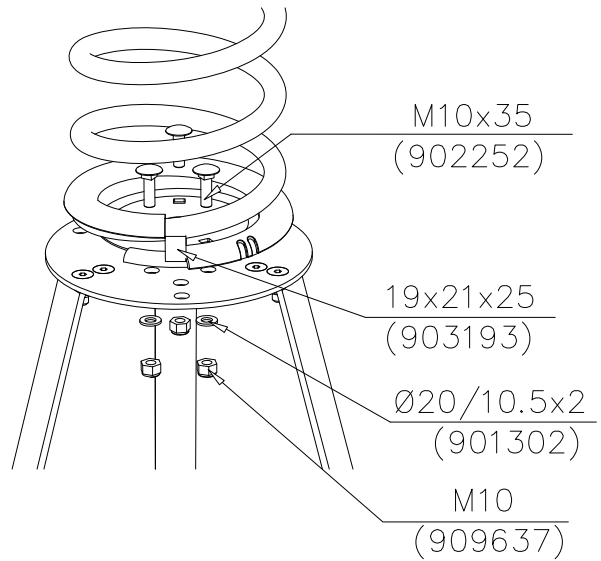




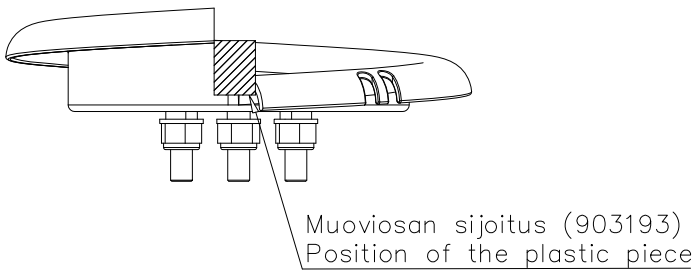
DET 19



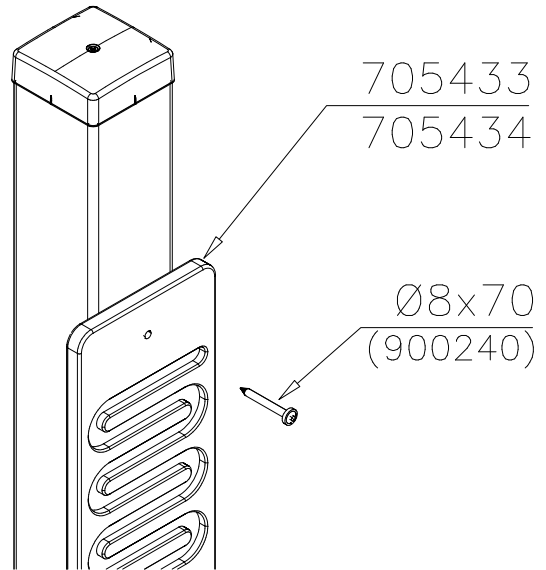
DET 20



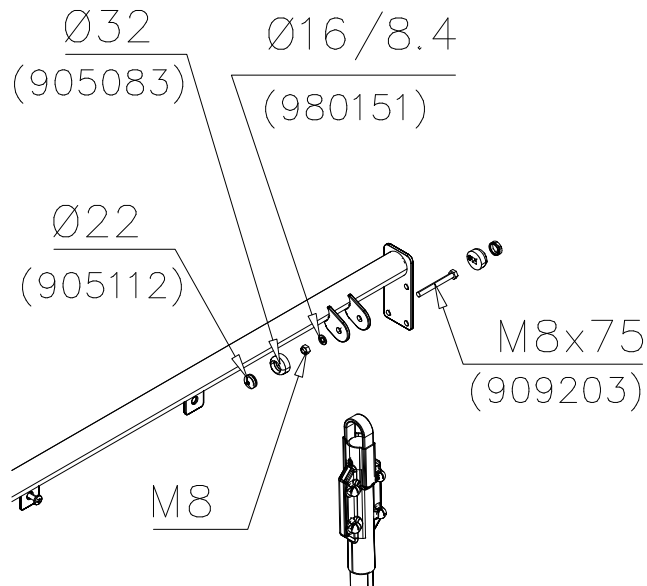
DET 21



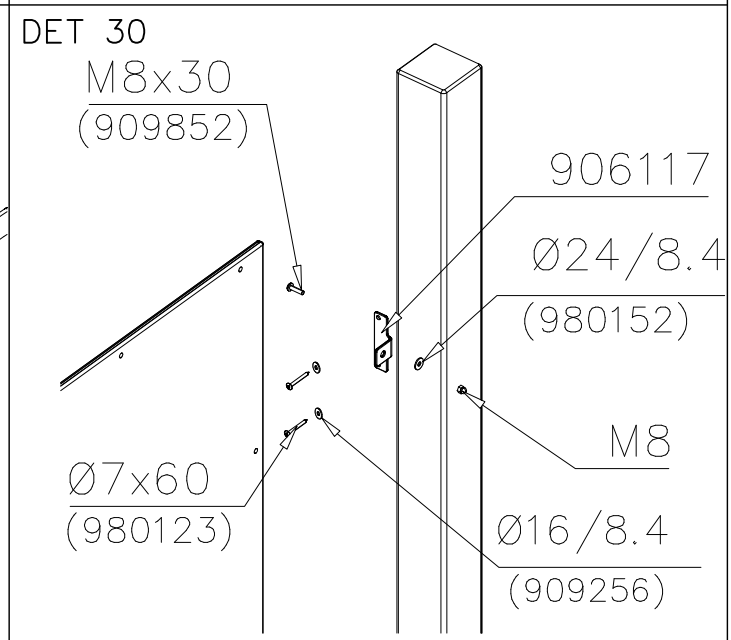
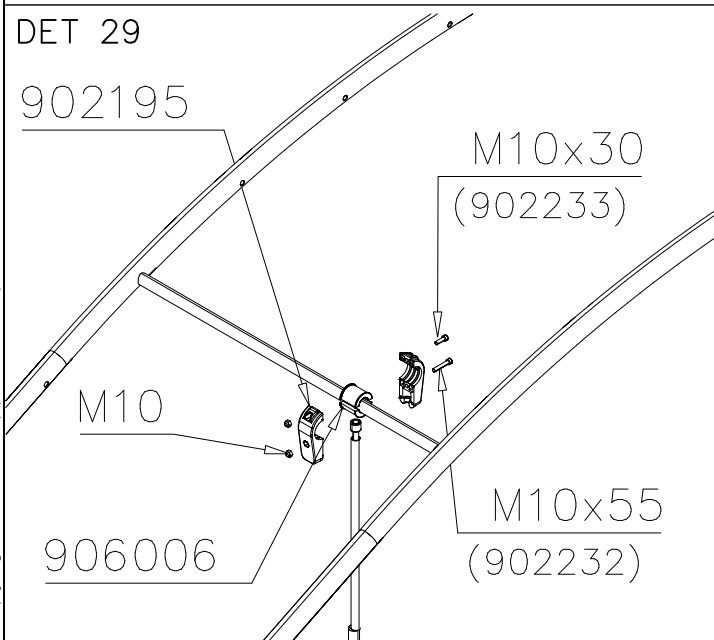
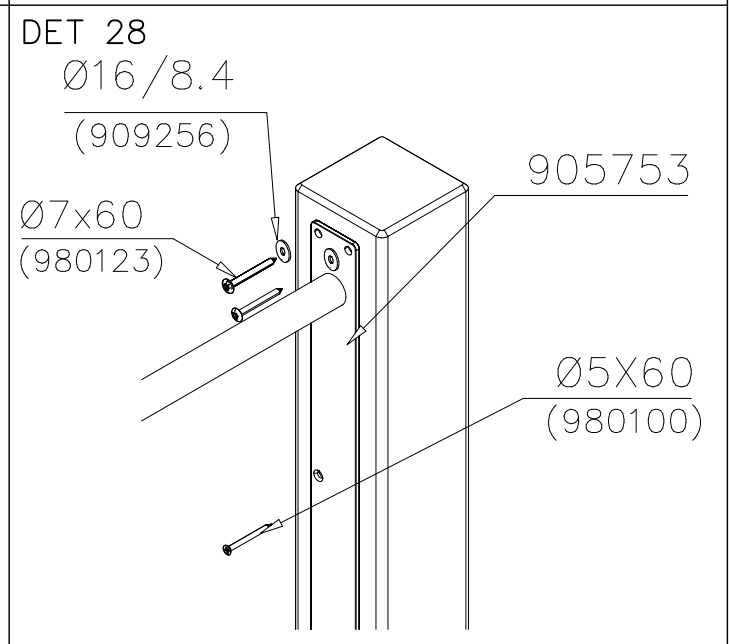
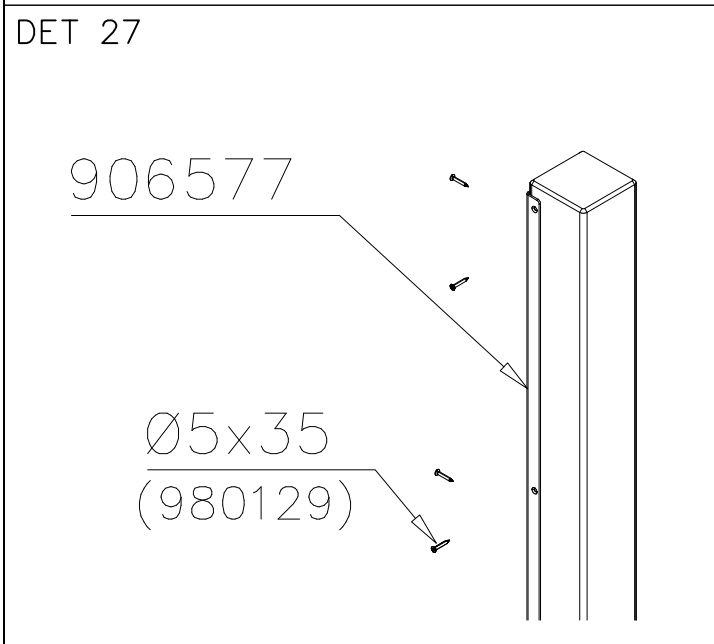
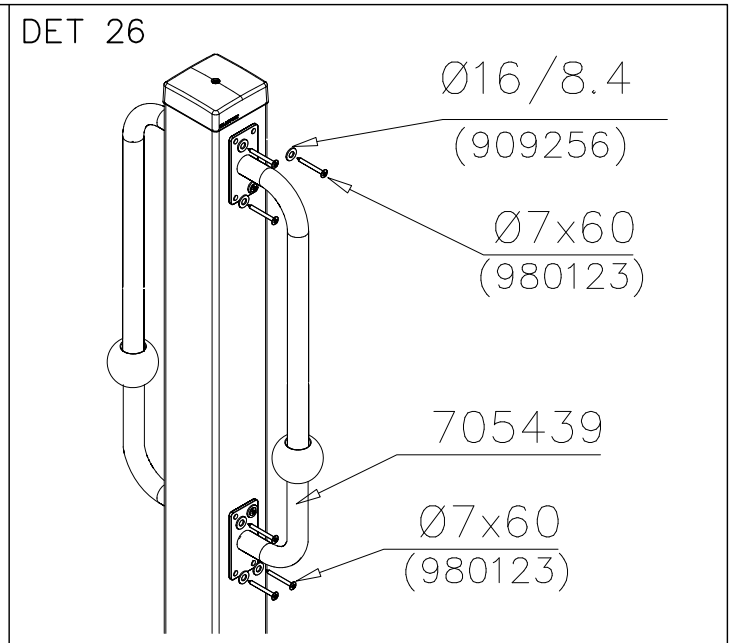
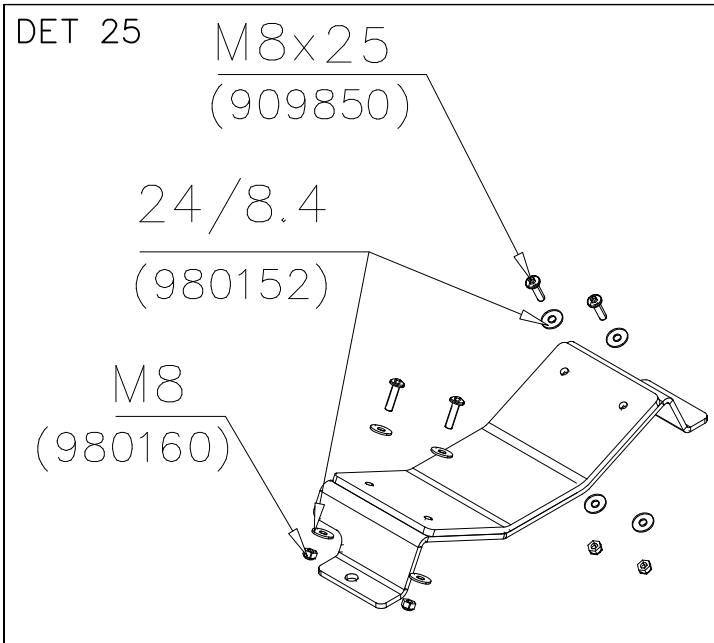
DET 22



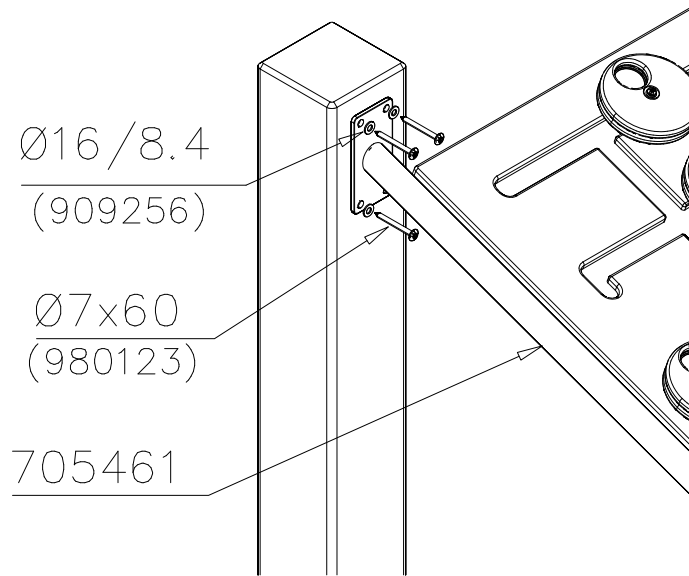
DET 23



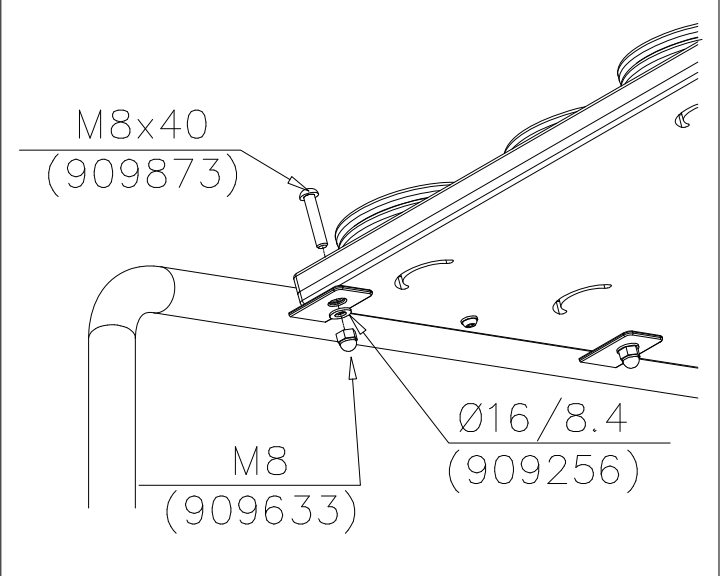
DET 24



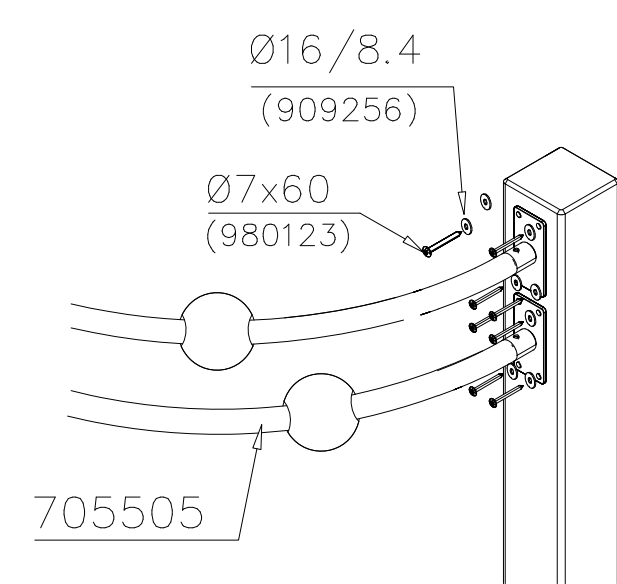
DET 31



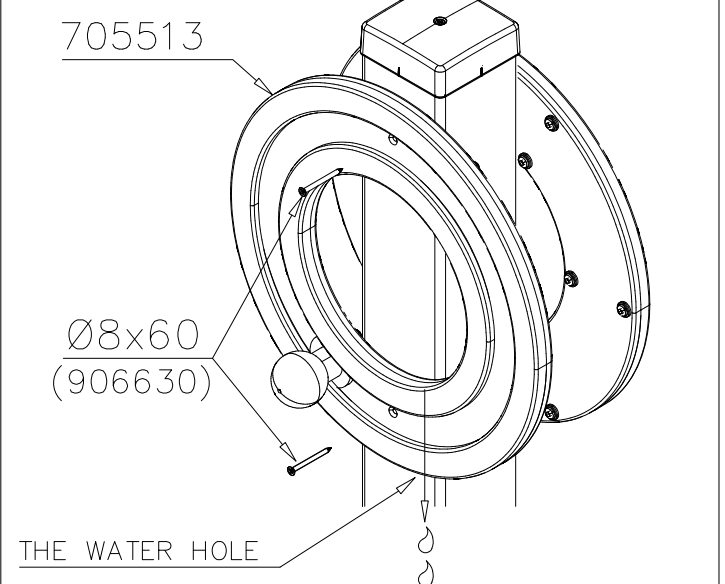
DET 32



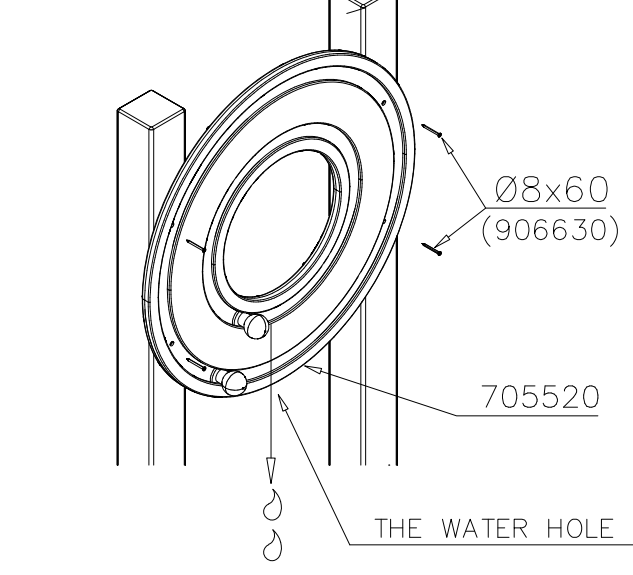
DET 33



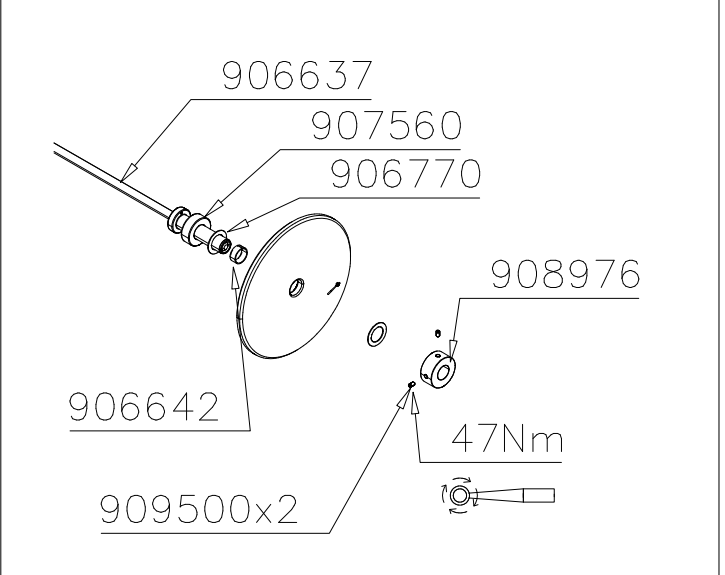
DET 34



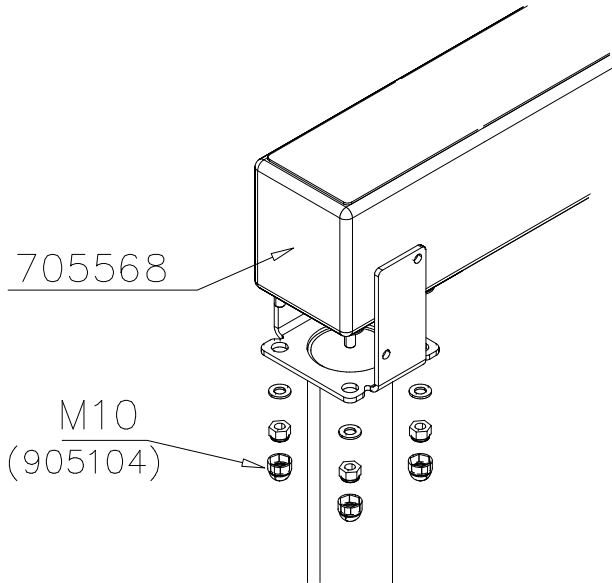
DET 35



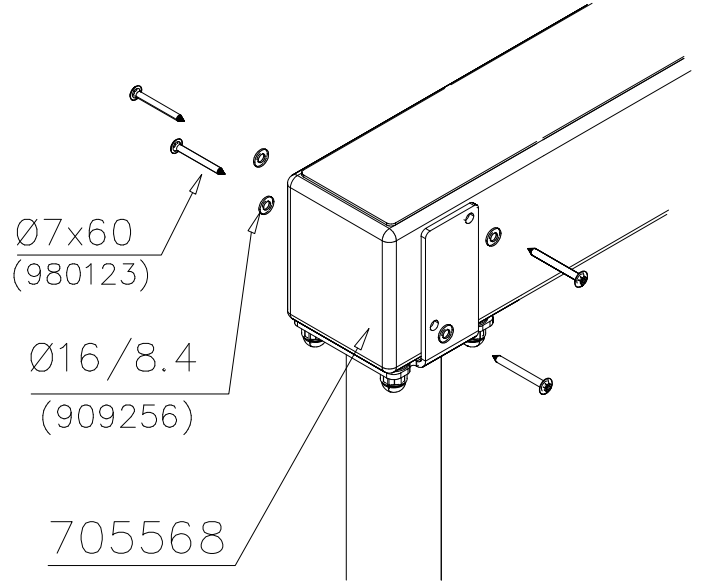
DET 36



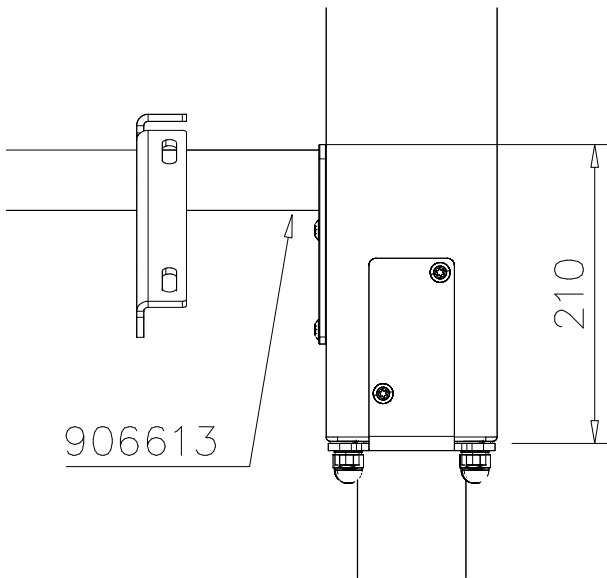
DET 37



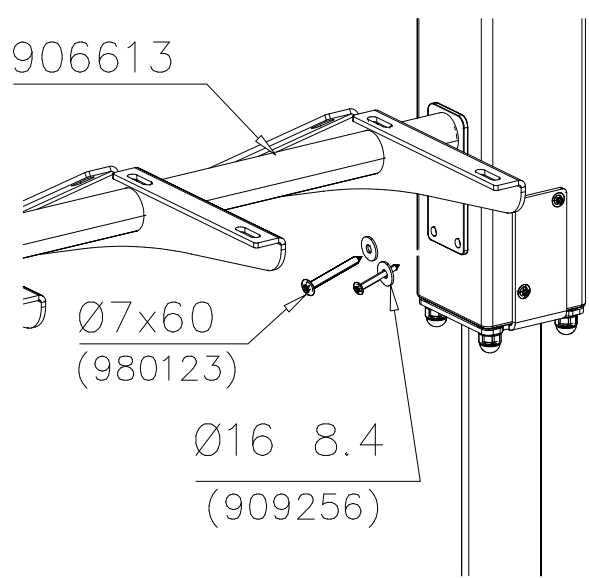
DET 38



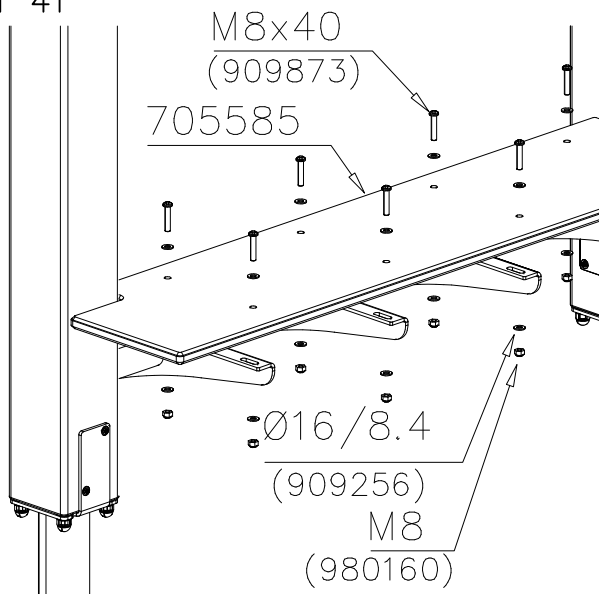
DET 39



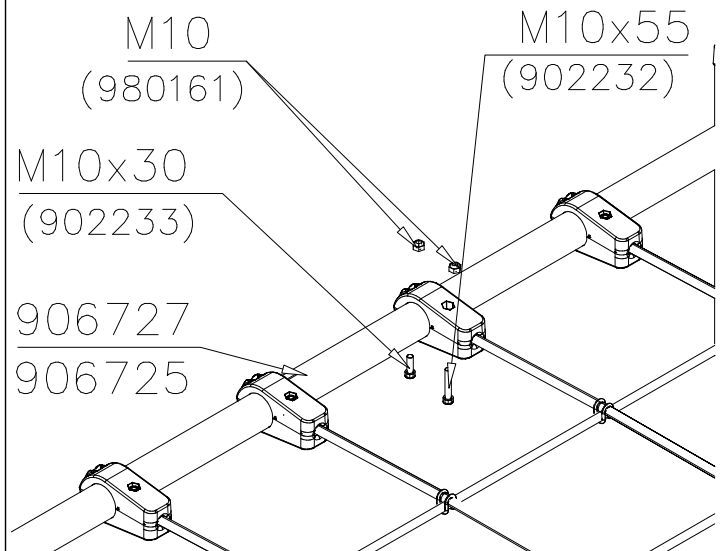
DET 40

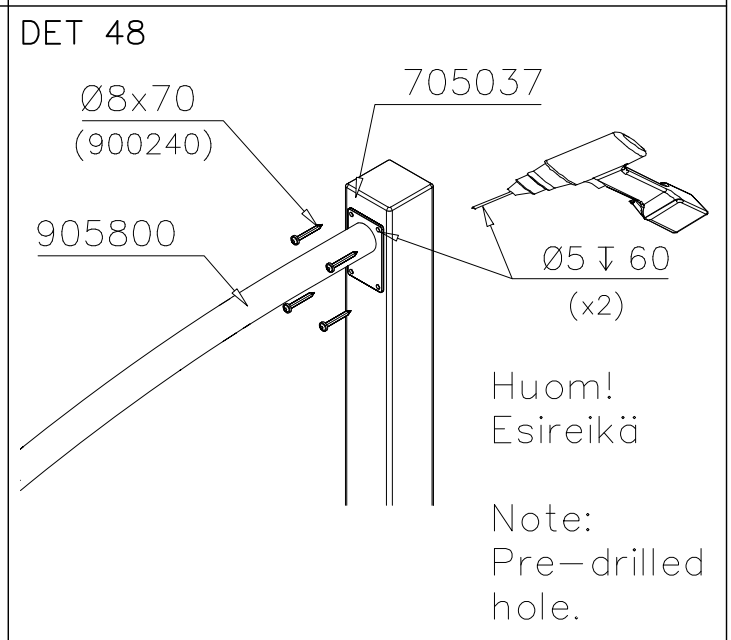
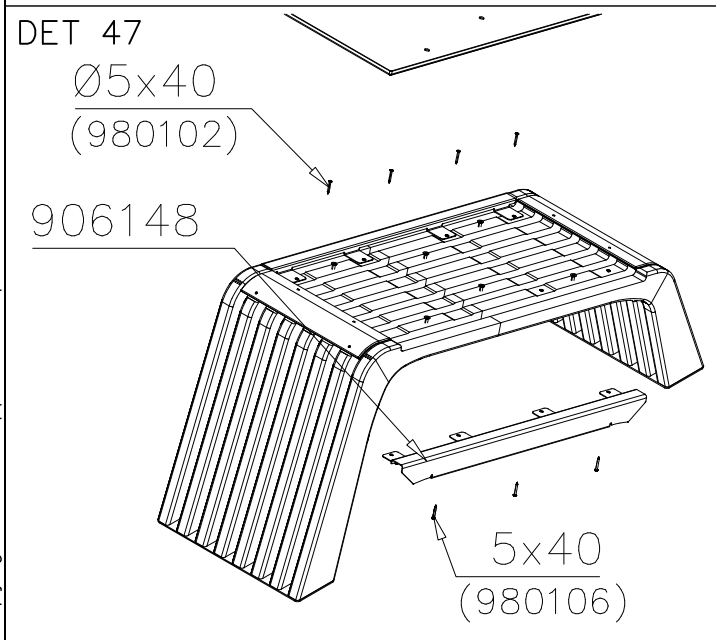
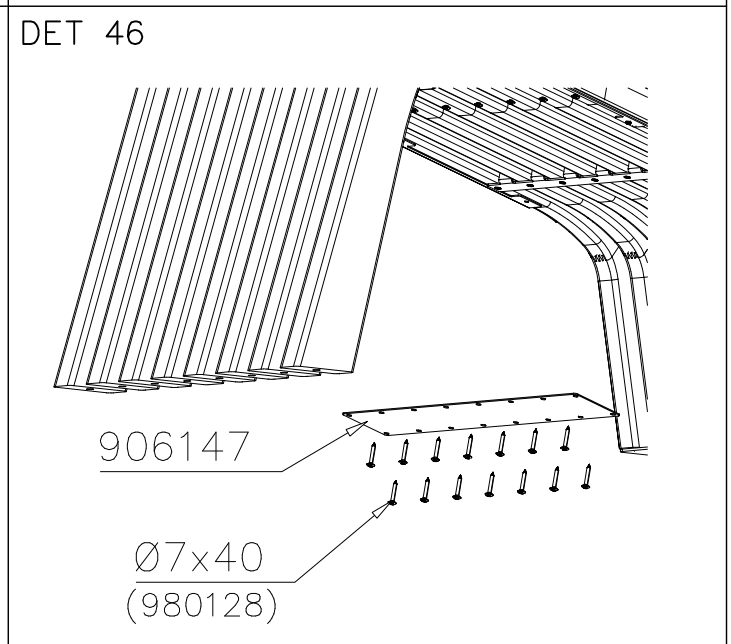
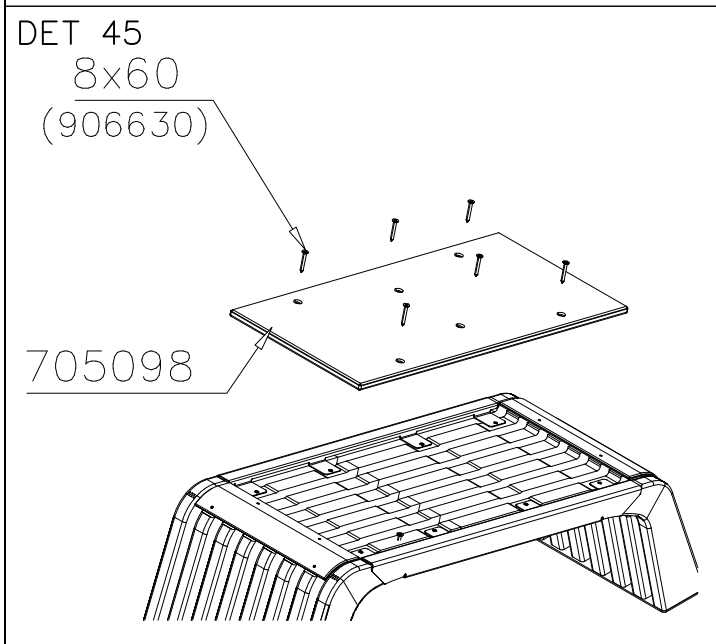
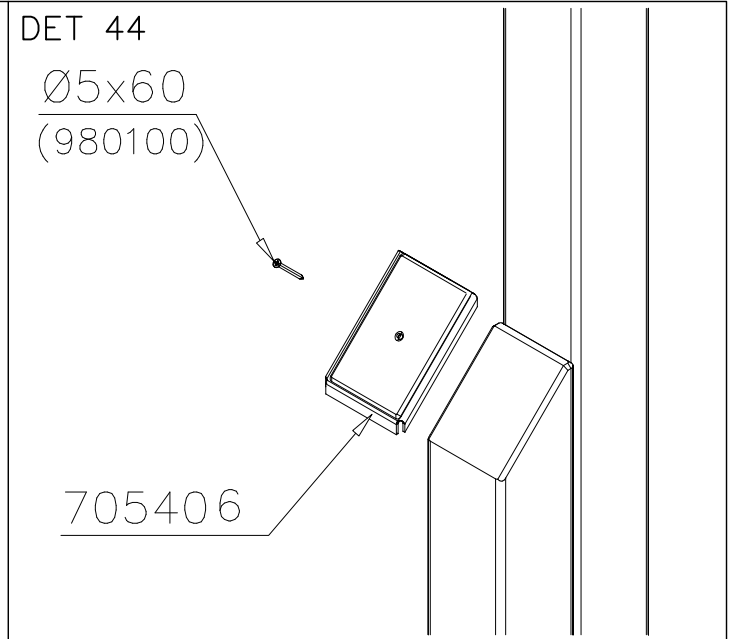
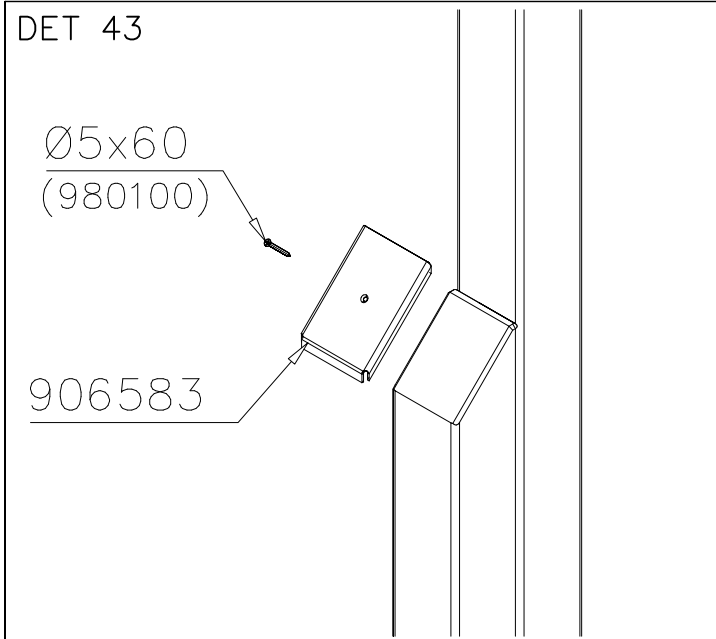


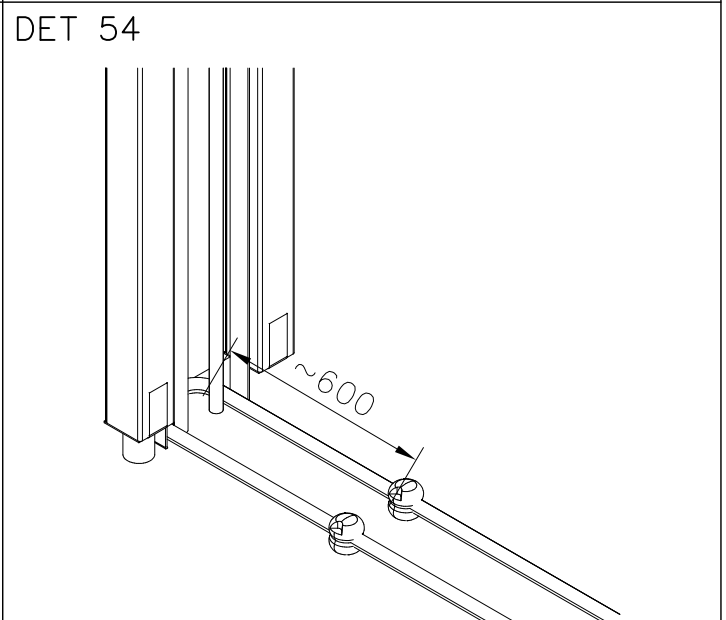
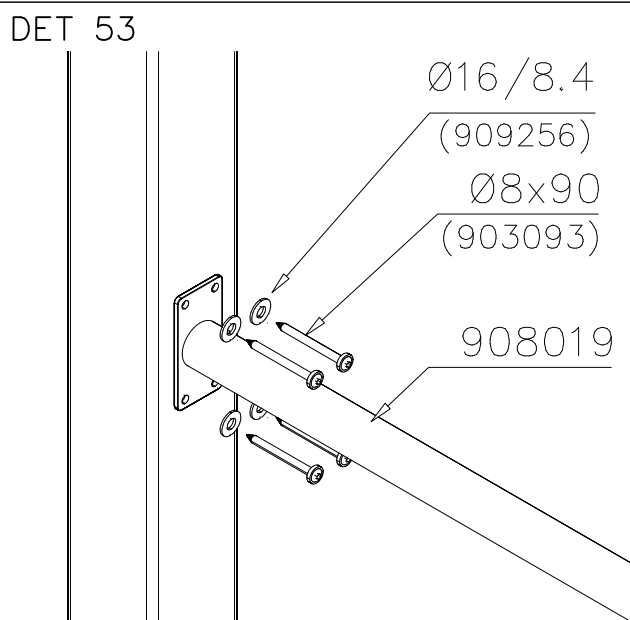
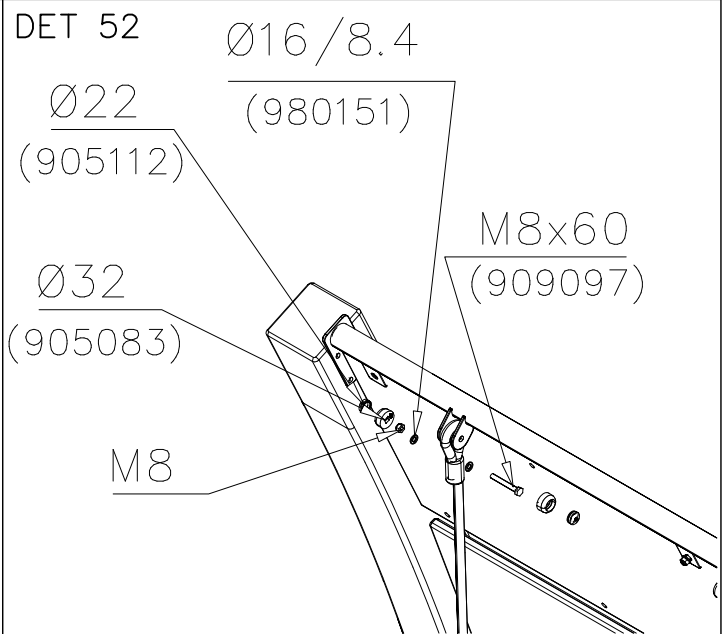
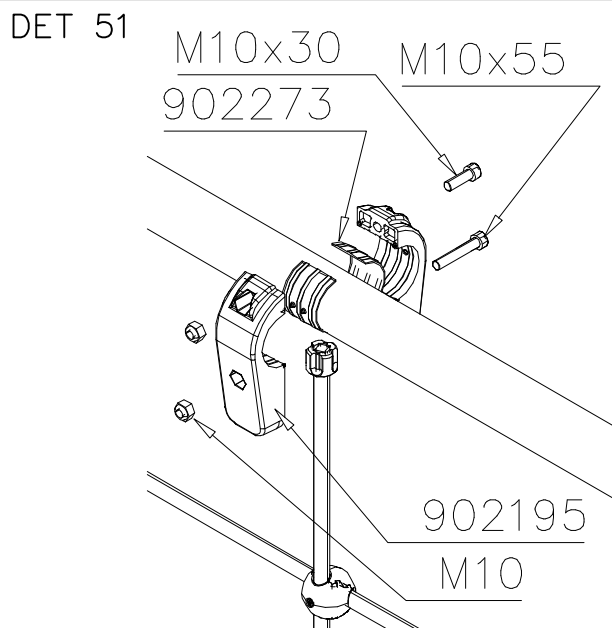
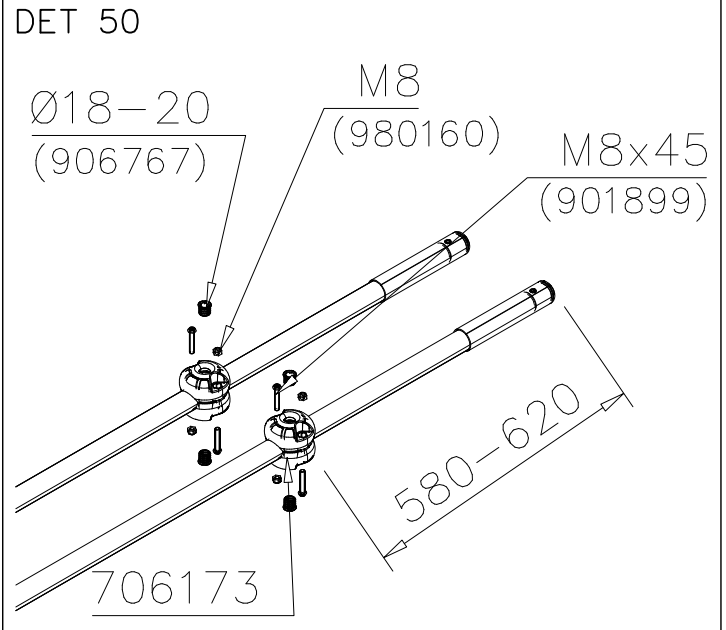
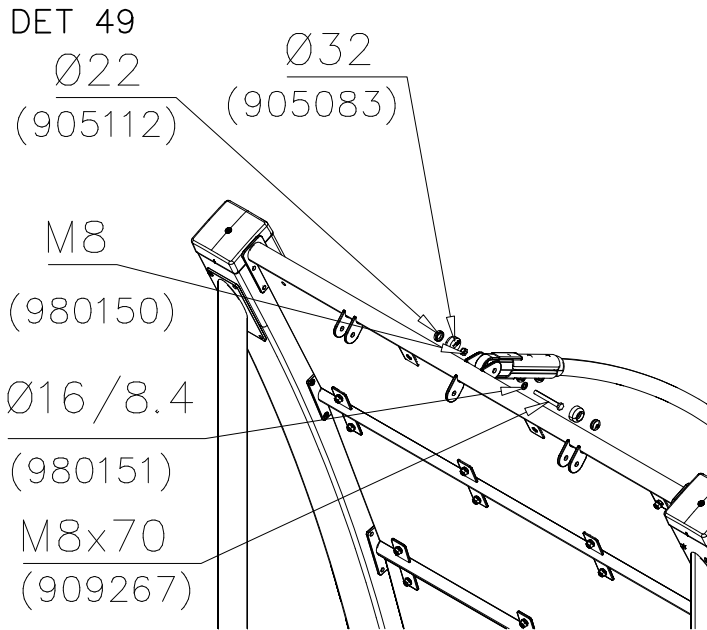
DET 41



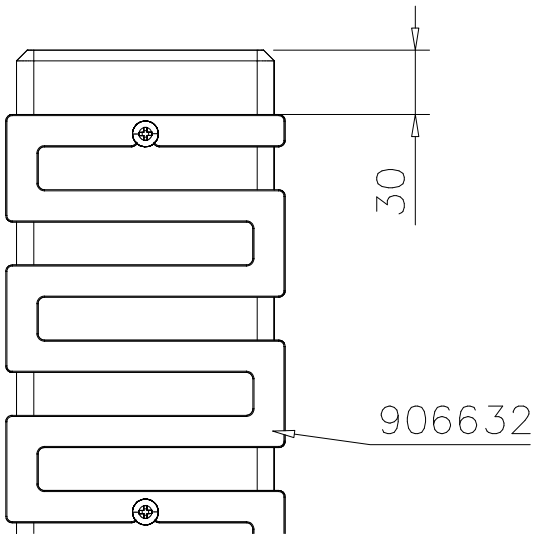
DET 42



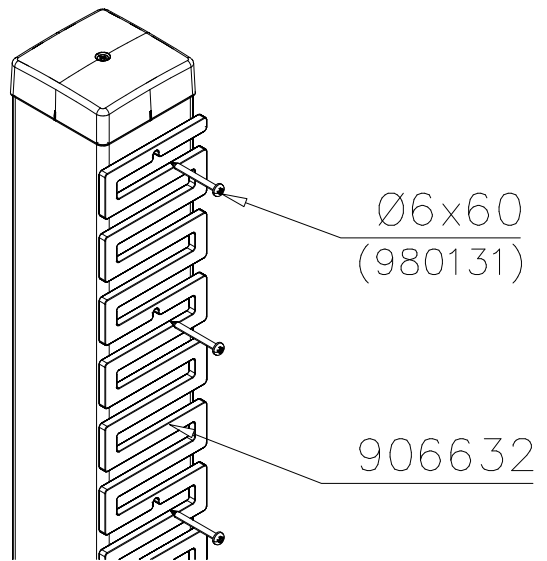




DET 55



DET 56



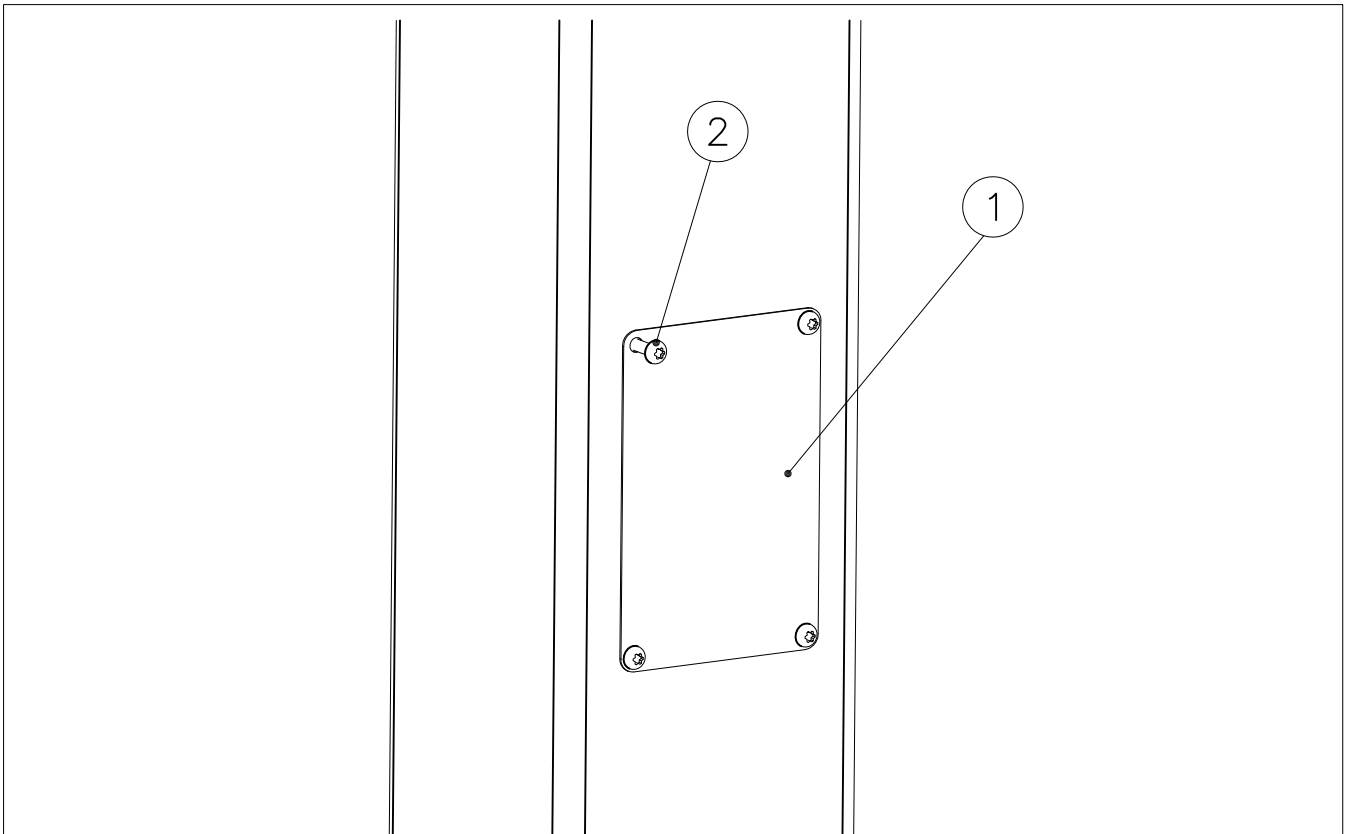
DET 57

DET 58

DET 59

DET 60

① SHEET METAL	PCS	② 980114	PCS
	1		4
118x78x0.7		Ø4x20	



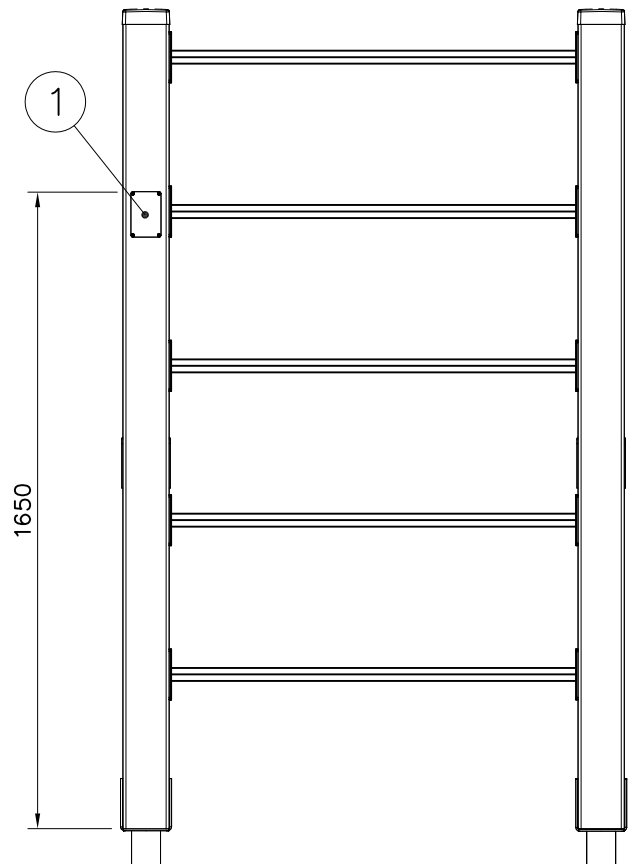
Example installation !
Esimerkki asennus !

Example installation !
Esimerkki asennus !

Example installation !
Esimerkki asennus !



Example installation !
Esimerkki asennus !



Example installation !
Esimerkki asennus !