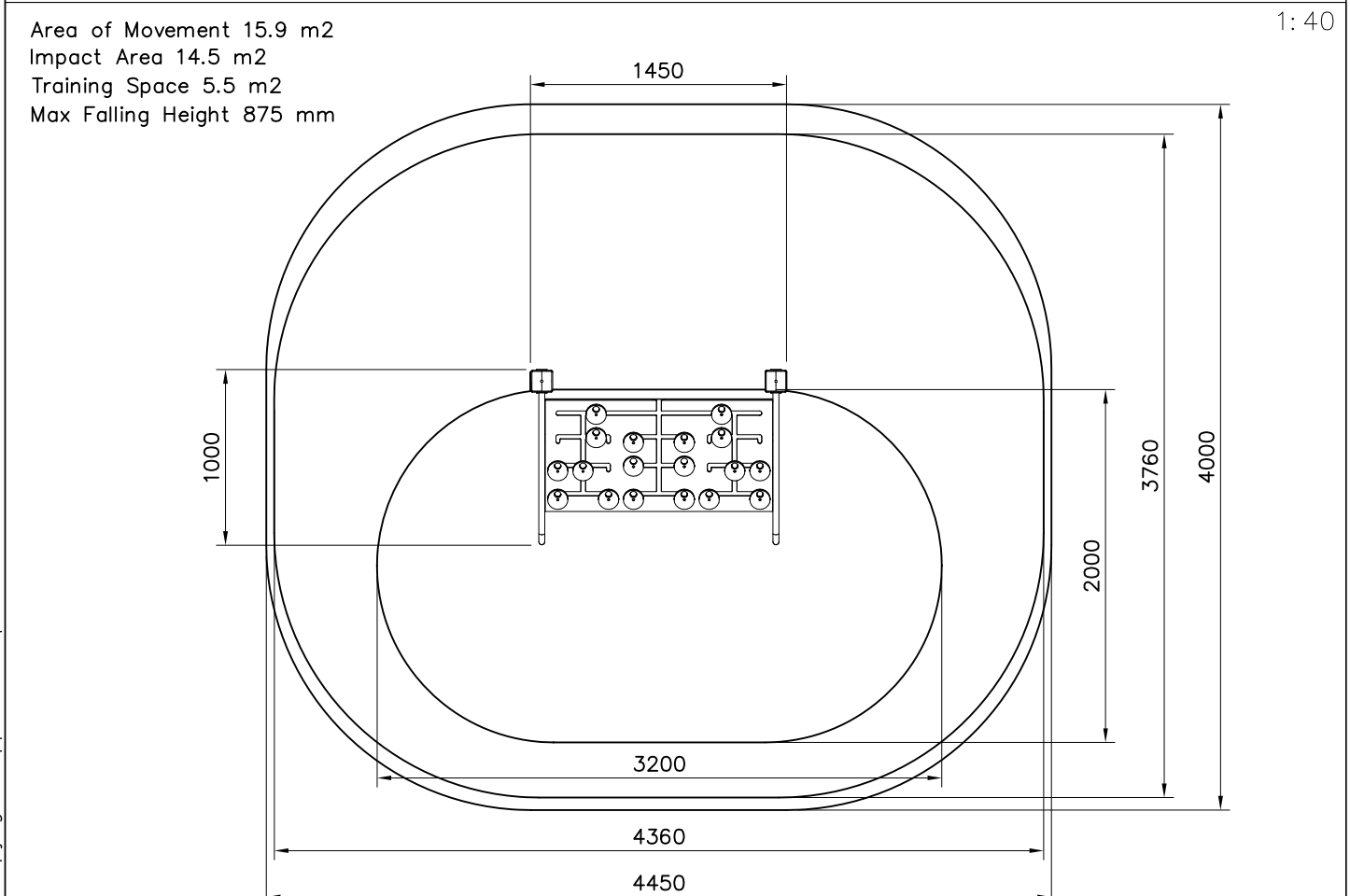
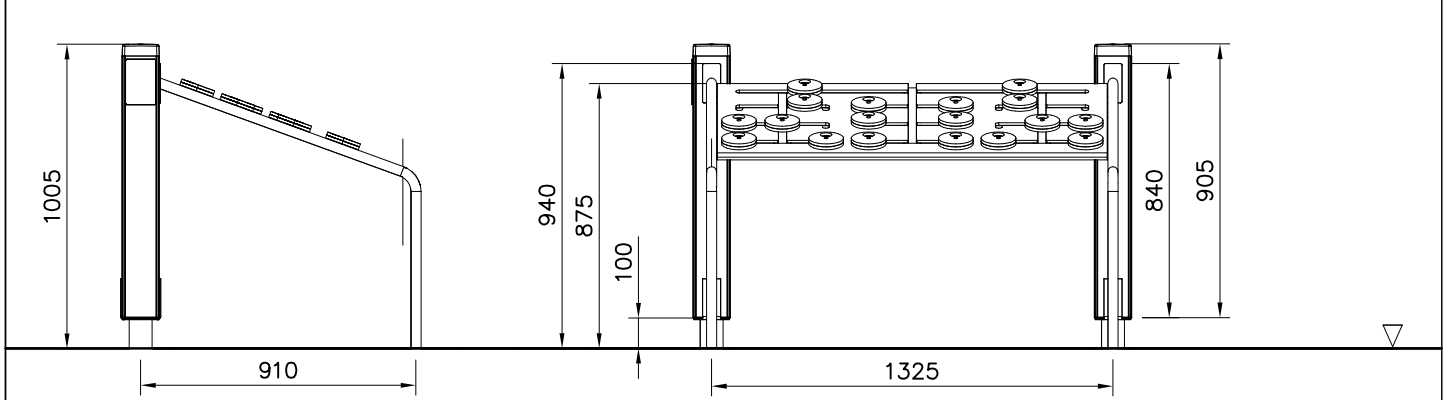


①	705330	PCS	②	705460	PCS
		2			1
	120x120x870				
③	902272	PCS	④	905104	PCS
		2			8
	90x90x450			M10	
⑤	905761	PCS	⑥	905830	PCS
		2			2
	120x120x700			123x123x40	
⑦	909519	PCS	⑧	909629	PCS
		2			8
	50x380x380			M10x30	
⑨	909637	PCS	⑩	909638	PCS
		16			32
	M10			Ø20/10.5	
⑪	909639	PCS	⑫	980104	PCS
		8			2
	M10x25			Ø5x90	
⑬	906644	PCS	⑭	906645	PCS
		1			1
	LEFT			RIGHT	
⑮	980123	PCS	⑯	909873	PCS
		16			6
	Ø7x60			M8x40	
⑰	706055	PCS	⑱	980114	PCS
		1			4
				Ø4x20	
⑲	909256	PCS	⑳	909633	PCS
		22			6
	Ø16/8.4			M8	



Game options:		Bars left options:			
<p>1290x670</p>	705460-701	ACTIVE		906644-215	Turquoise
	705460-702	JOY		906644-216	Pearl Light Gray
	705460-703	SLOW		906644-217	Lime
	705460-704	SOLID		906644-218	Pink

Bars right options:		1: 25
	906645-215	Turquoise
	906645-216	Pearl Light Gray
	906645-217	Lime
	906645-218	Pink



												
<p>$h < 600$</p> <p>Without movement and therefore without Impact Area</p>	<p>Totally hard surfaces.</p> <p>Note. Lappset does <u>not recommend</u> totally hard surfaces at all.</p>	<p>E.g. concrete or asphalt</p> 										
<p>$h < 600$</p> <p>With movement e.g. rocking</p>	<p>Materials with very limited impact attenuating properties.</p>	<p>E.g. wood</p> 										
<p>$h < 1000$</p>	<p>Materials with significant impact attenuating properties.</p>	<p>fine gravel 0–8 mm</p>  <p>grass</p>  <p>unsorted sand</p> 										
<p>$h < 3000$</p>	<p>Loose fill material</p> <p>E.g. sand/gravel 0,25...8 mm D60/D10<3,0 Woodchips 5...30 mm bark 20...80 mm</p>	 <table data-bbox="1024 1691 1332 1792"> <tr> <td>\underline{S}</td> <td>\underline{h}</td> </tr> <tr> <td>30 cm</td> <td>< 2,0 m</td> </tr> <tr> <td>40 cm</td> <td>< 3,0 m</td> </tr> </table>	\underline{S}	\underline{h}	30 cm	< 2,0 m	40 cm	< 3,0 m				
\underline{S}	\underline{h}											
30 cm	< 2,0 m											
40 cm	< 3,0 m											
	<p>Syntethic granulates</p> <table data-bbox="406 1892 758 2060"> <tr> <td>\underline{S}</td> <td>\underline{h}</td> </tr> <tr> <td>40 mm</td> <td>~> 1,2...1,3 m</td> </tr> <tr> <td>50 mm</td> <td>~> 1,5...1,7 m</td> </tr> <tr> <td>60 mm</td> <td>~> 1,8...2,0 m</td> </tr> <tr> <td>70 mm</td> <td>~> 2,1...2,5 m</td> </tr> </table> <p>Note. For accurate values, see manufacturer's instructions.</p>	\underline{S}	\underline{h}	40 mm	~> 1,2...1,3 m	50 mm	~> 1,5...1,7 m	60 mm	~> 1,8...2,0 m	70 mm	~> 2,1...2,5 m	
\underline{S}	\underline{h}											
40 mm	~> 1,2...1,3 m											
50 mm	~> 1,5...1,7 m											
60 mm	~> 1,8...2,0 m											
70 mm	~> 2,1...2,5 m											

REMOVE SAFETY SURFACE/SAND/GRAVEL
TO CHECK FOUNDATION

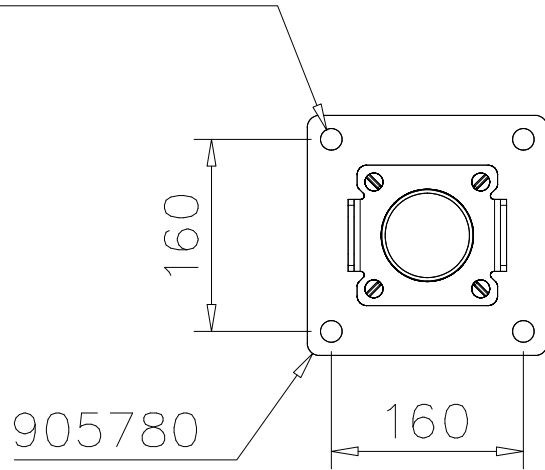


REMOVE SAFETY SURFACE/SAND/GRAVEL
TO CHECK FOUNDATION



DET 1

$\varnothing 16 \downarrow > 130$



DET 2



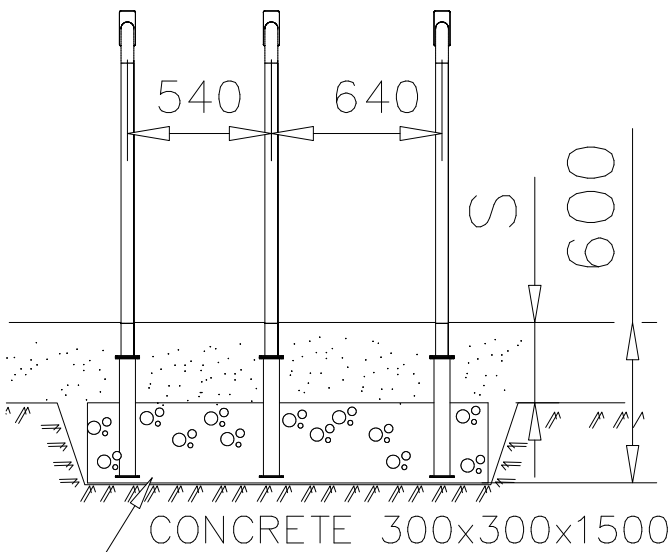
DET 3



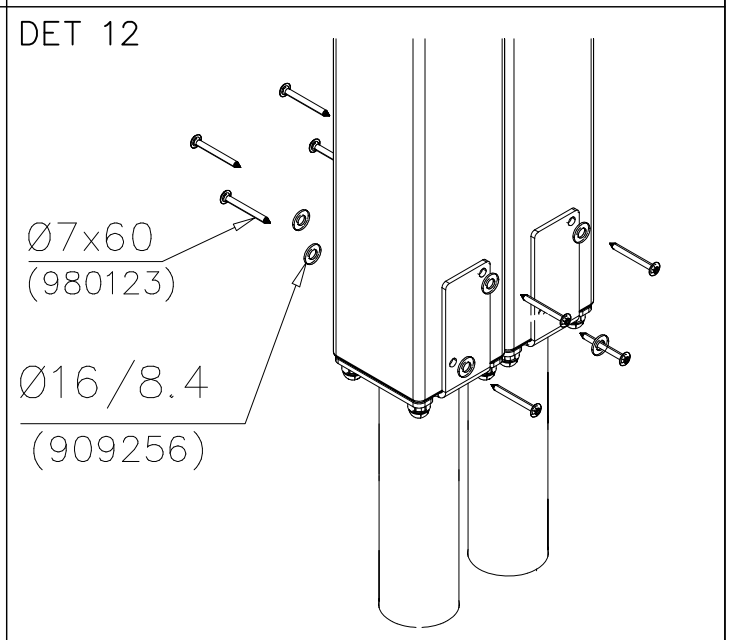
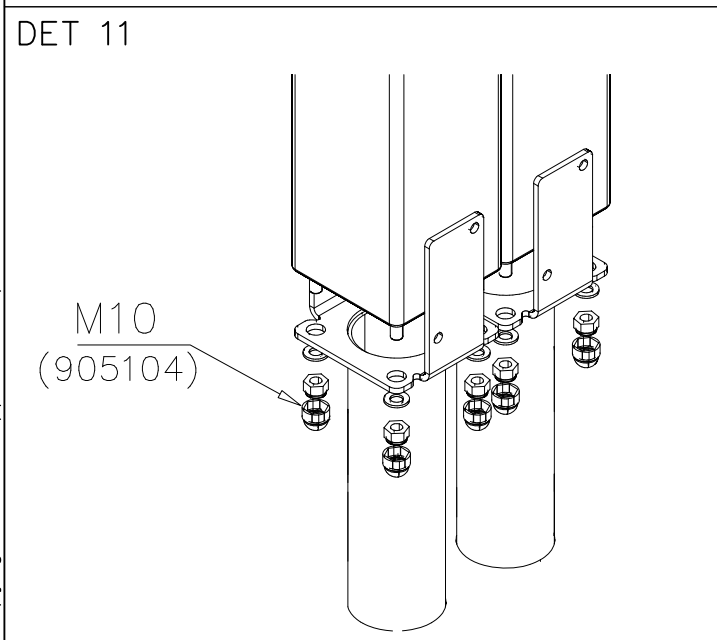
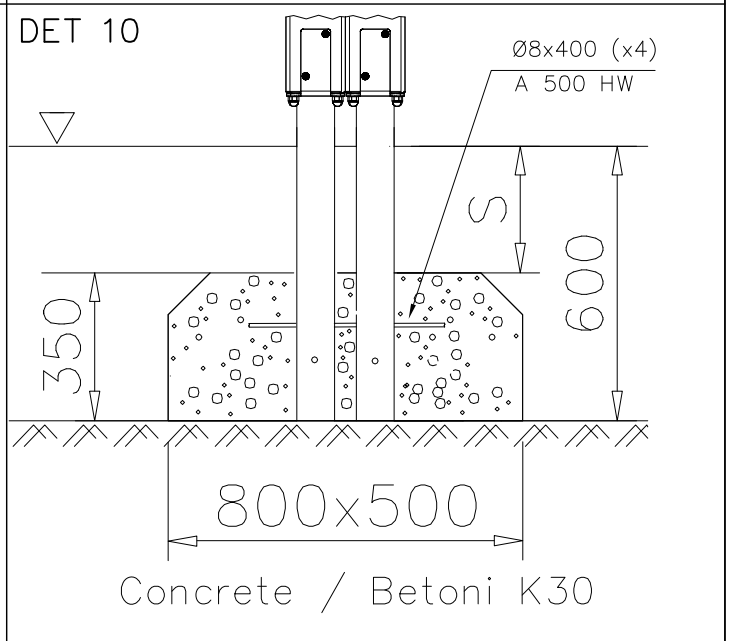
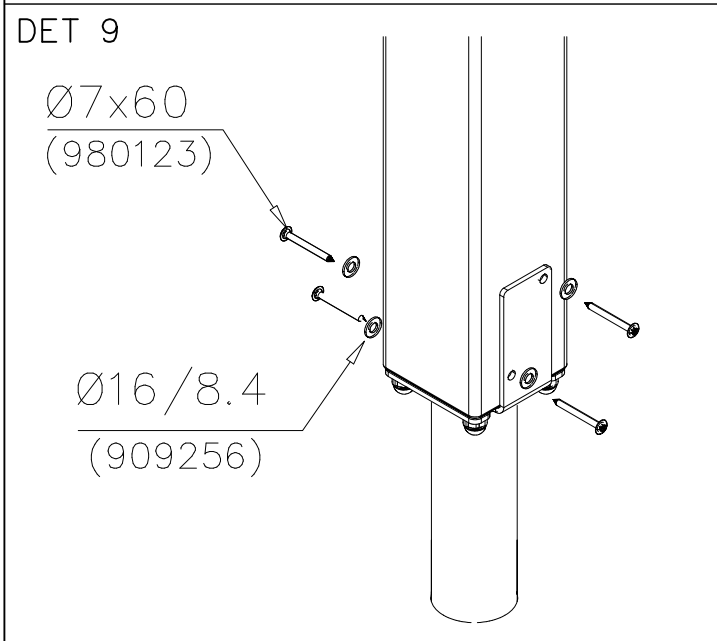
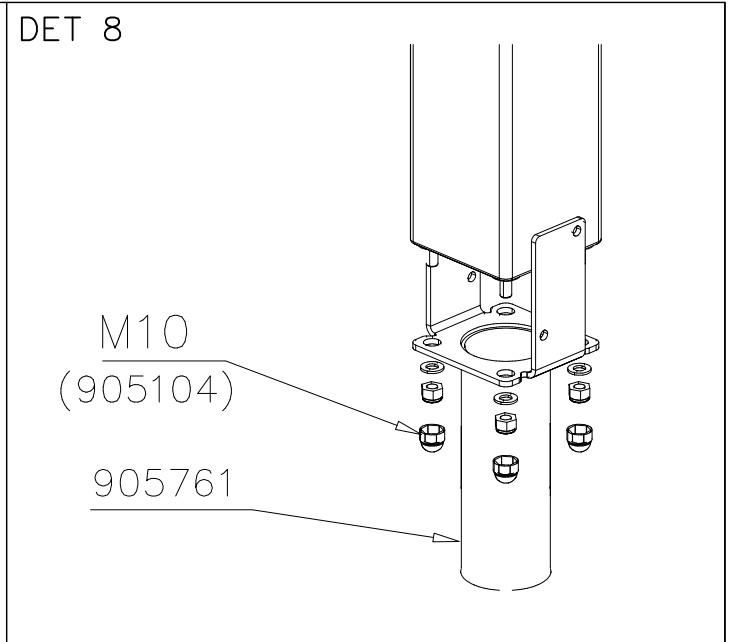
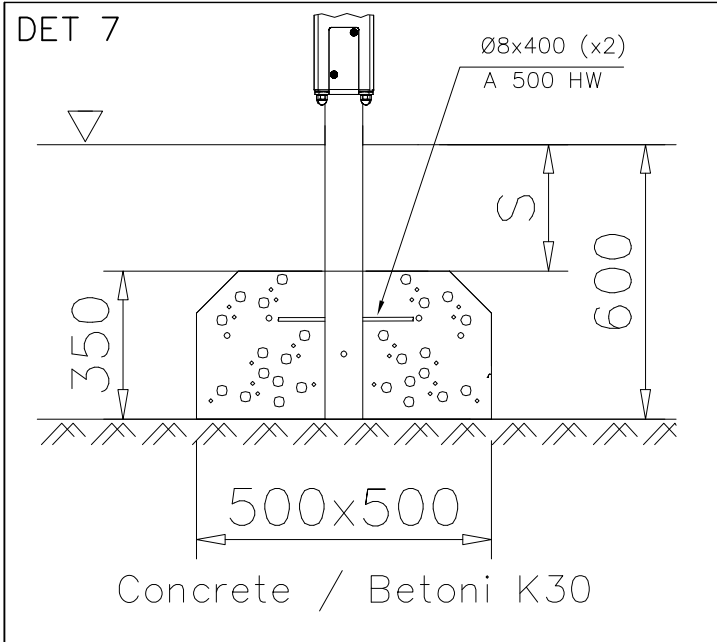
DET 4



DET 5



DET 6



DET 13



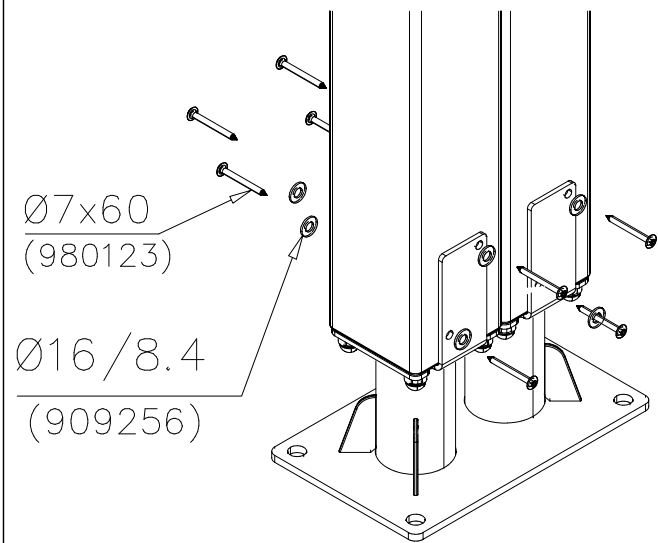
DET 14



DET 15

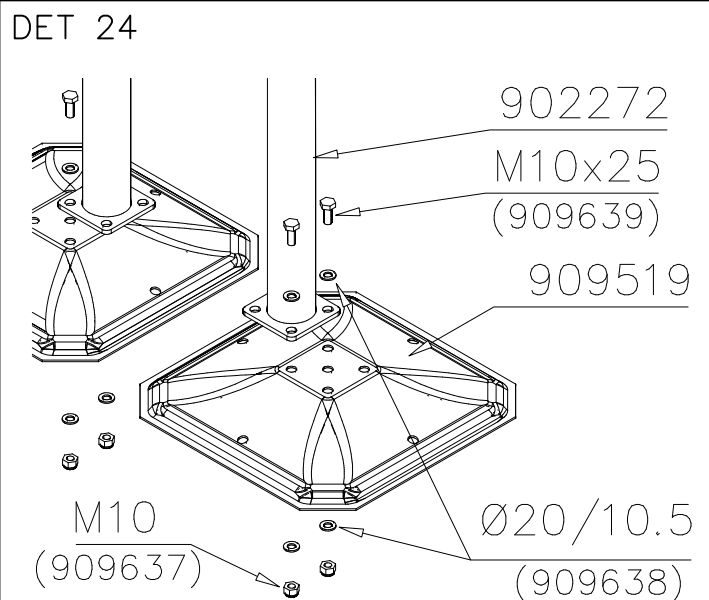
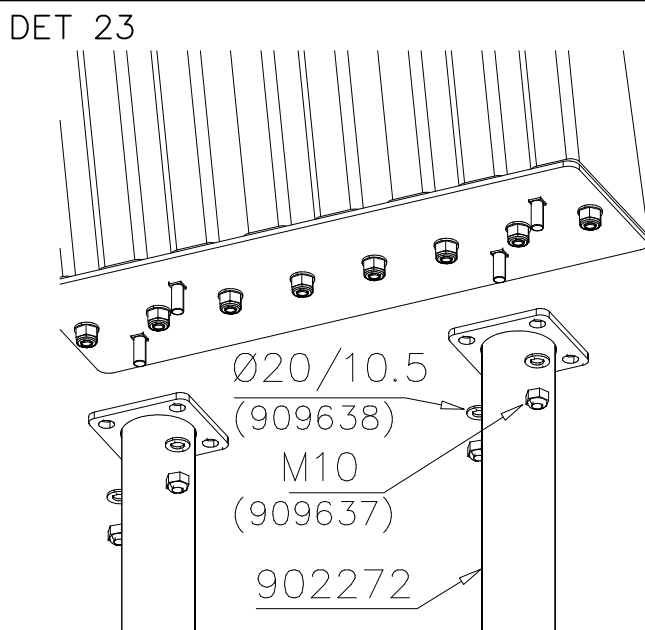
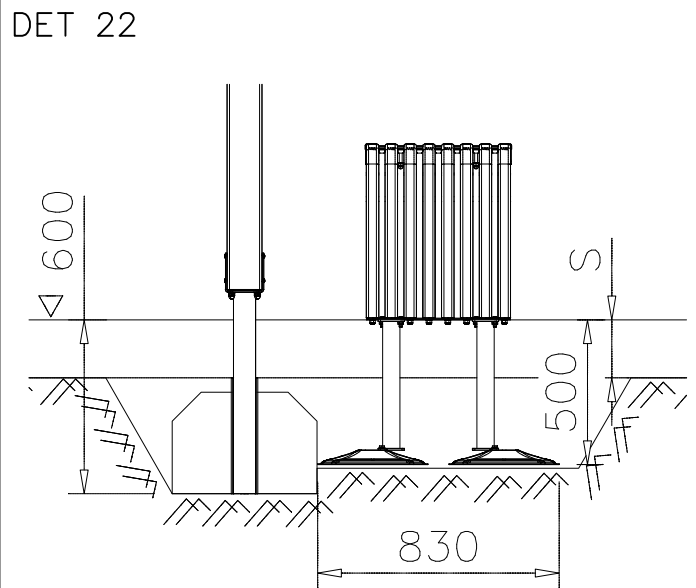
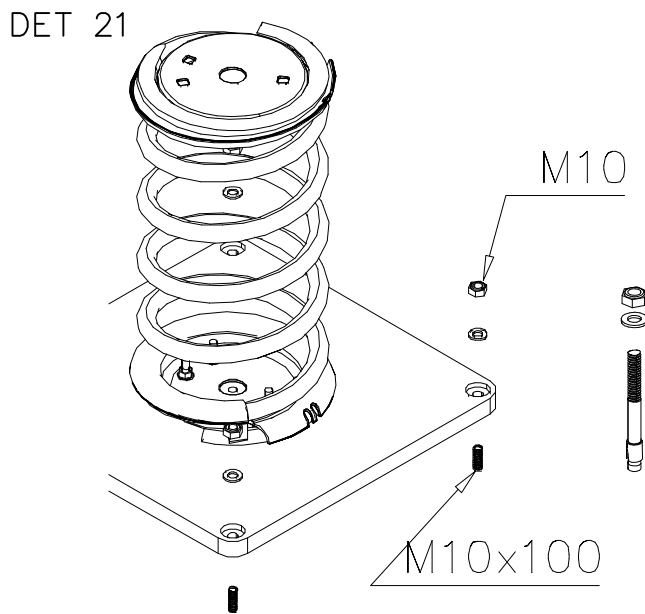
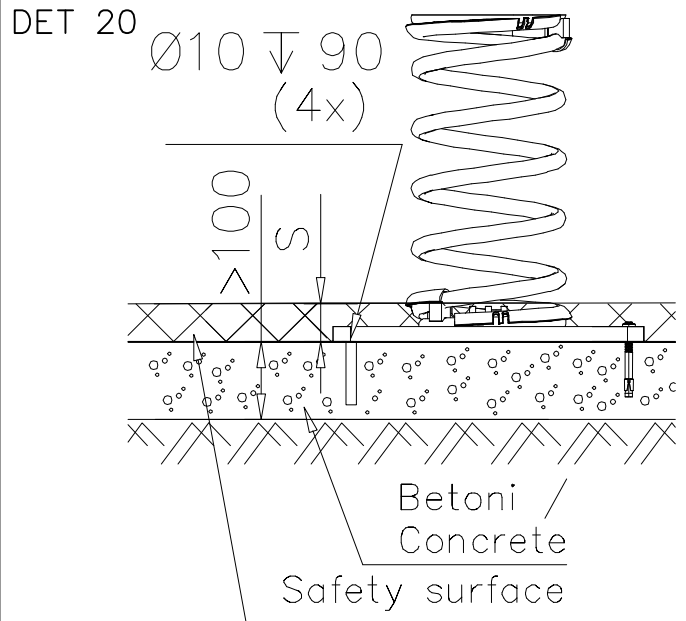
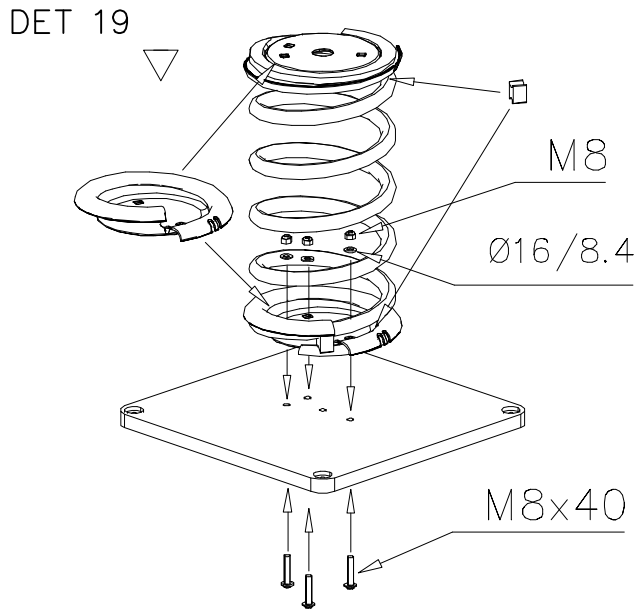


DET 16



DET 17

DET 18



LAPPSET SPORT

BASE

DATE: 29.4.2015

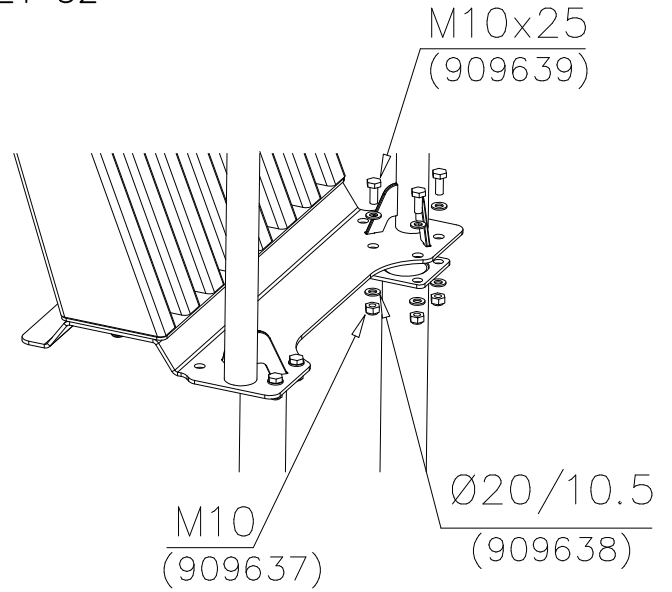
5(10)



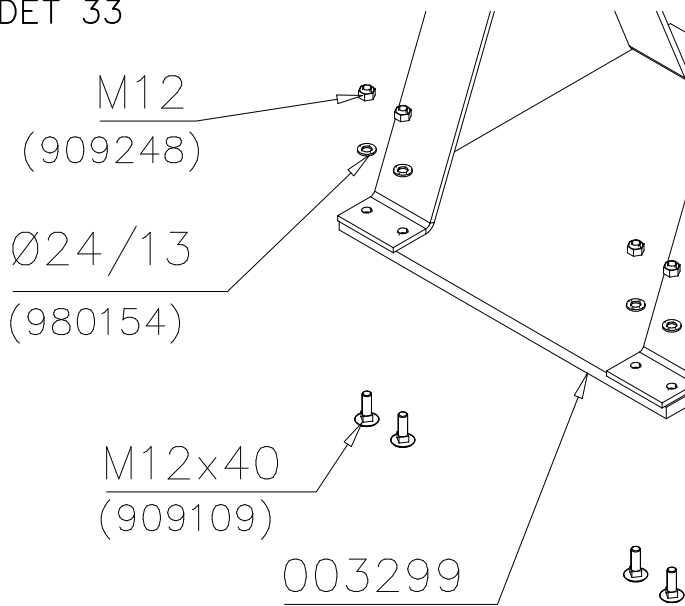
DET 31



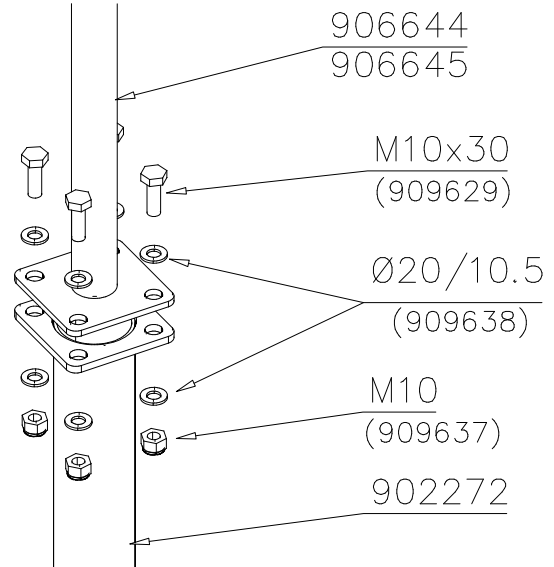
DET 32



DET 33



DET 34



DET 35



DET 36



DET 37



DET 38



DET 39



DET 40



DET 41



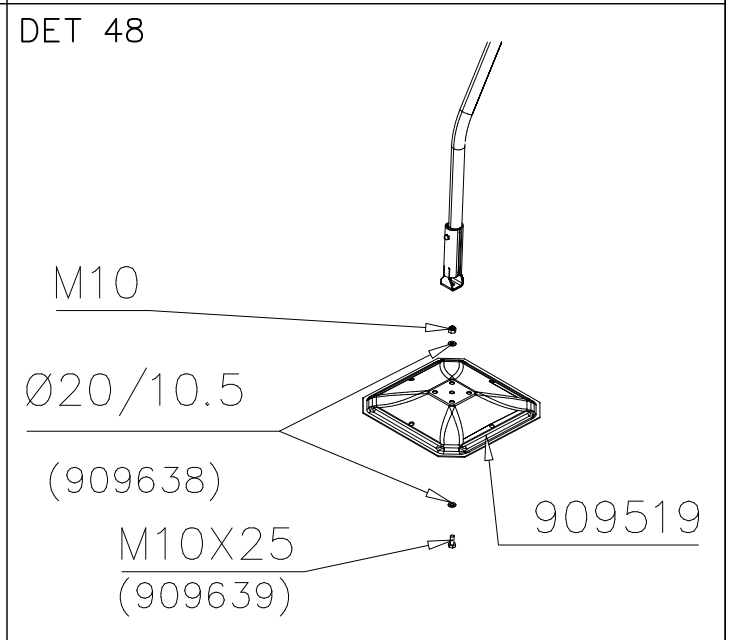
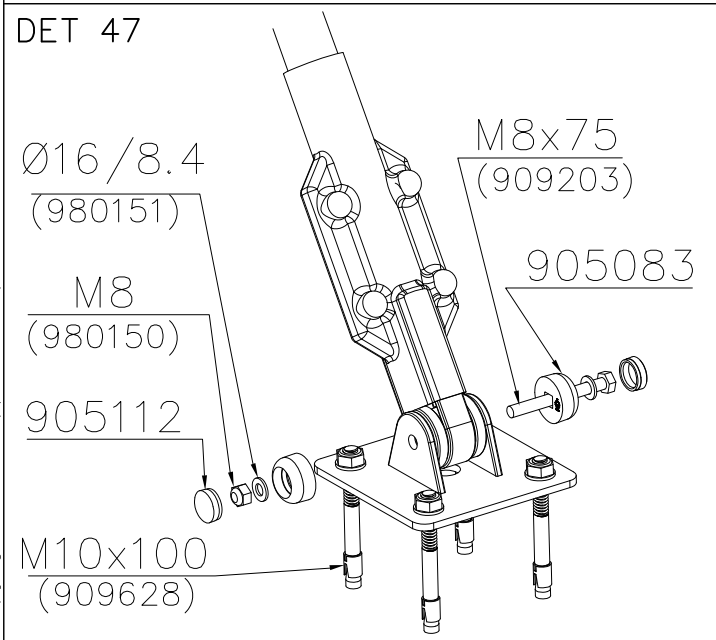
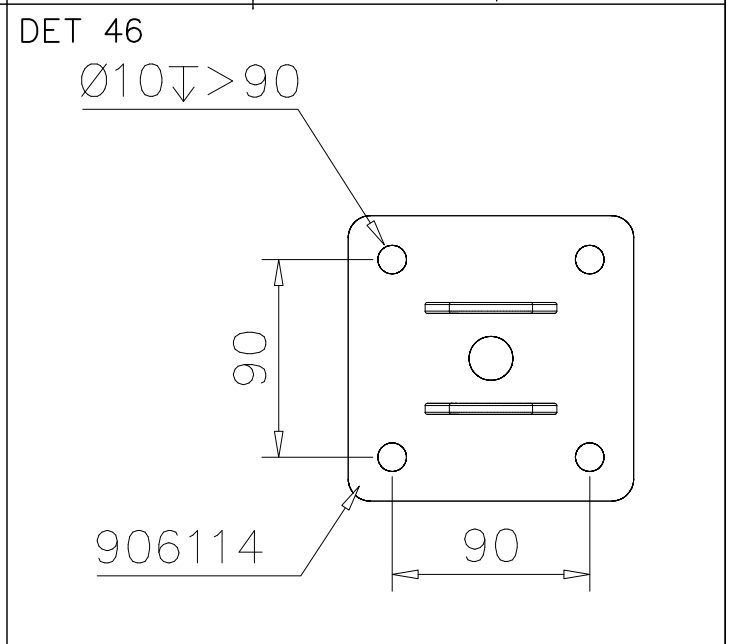
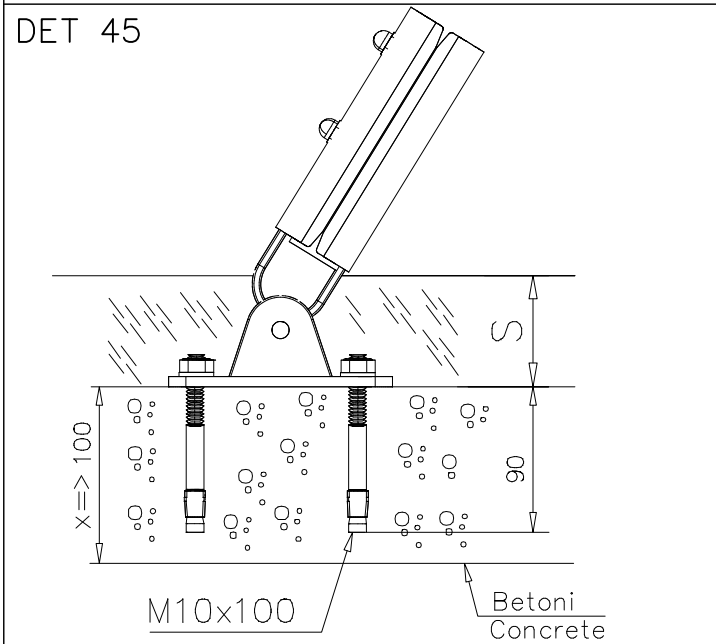
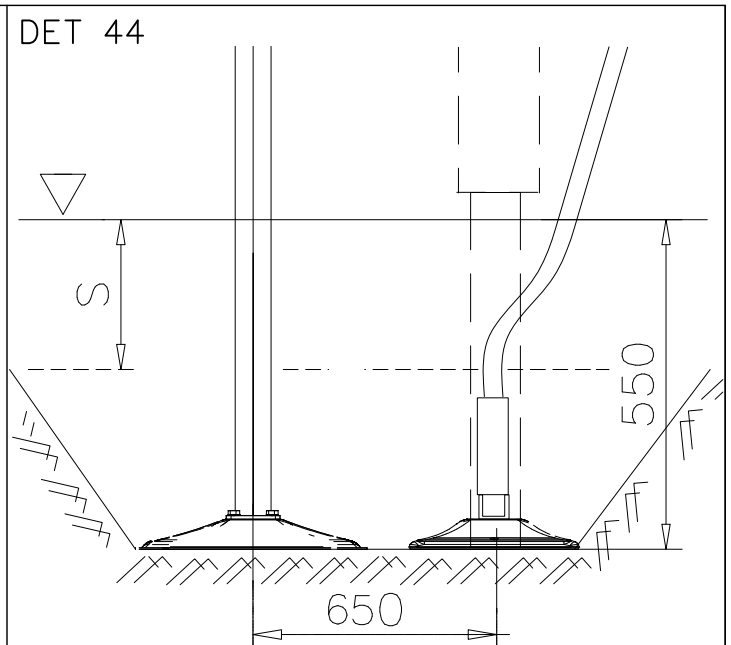
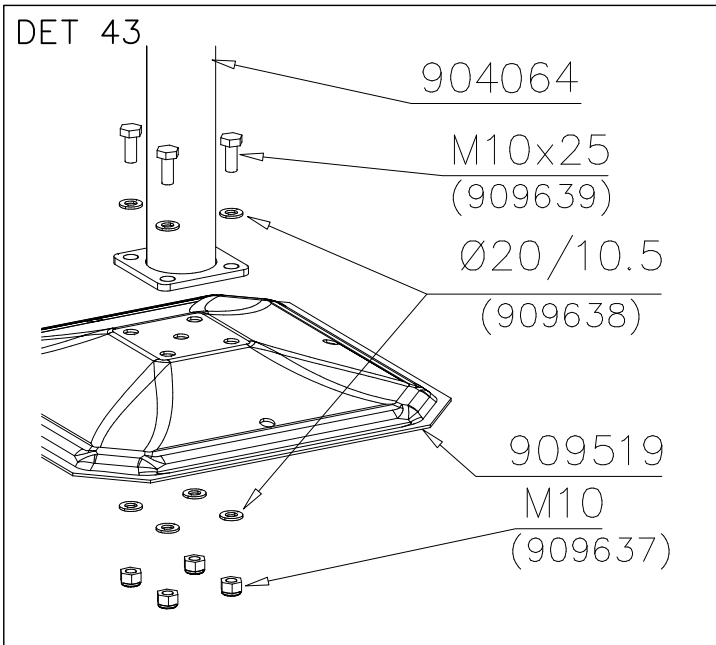
DET 42

LAPPSET SPORT

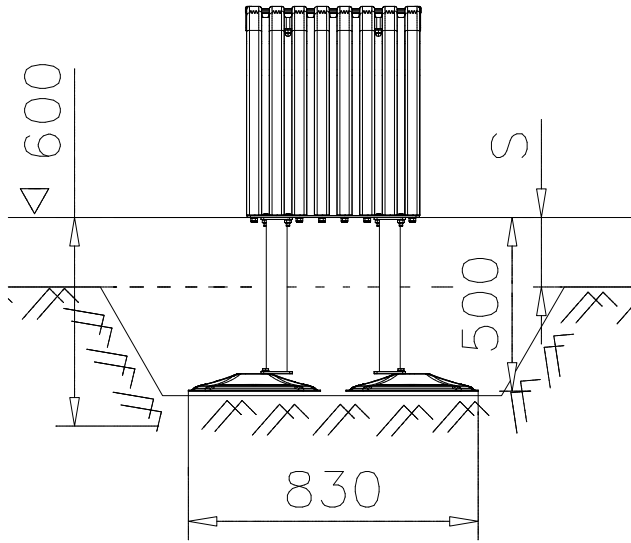
BASE

DATE: 15.8.2017

8(10)



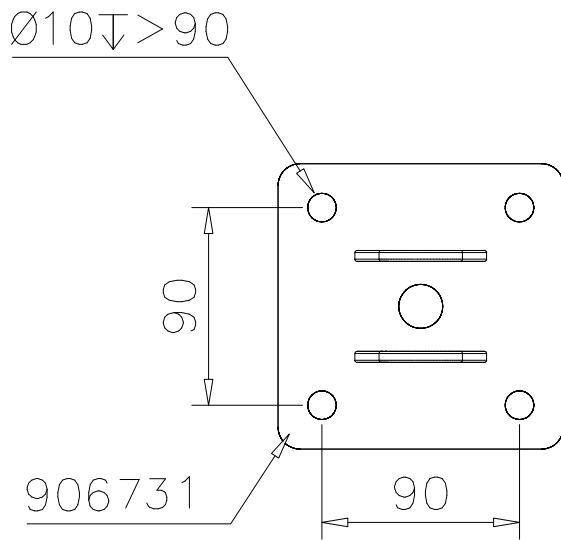
DET 49



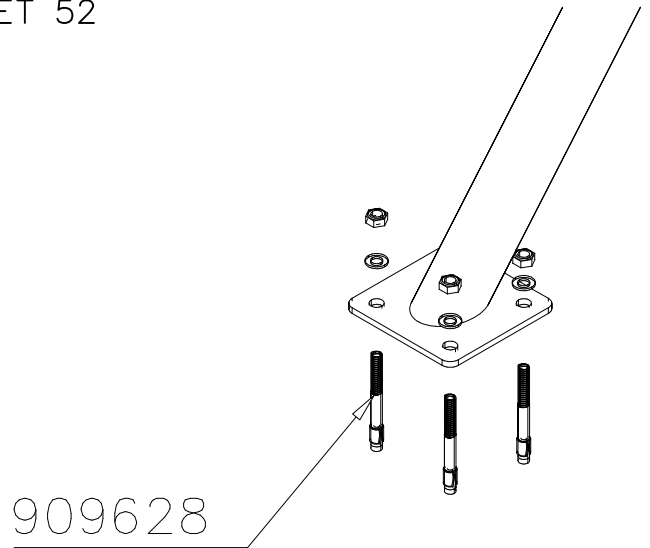
DET 50



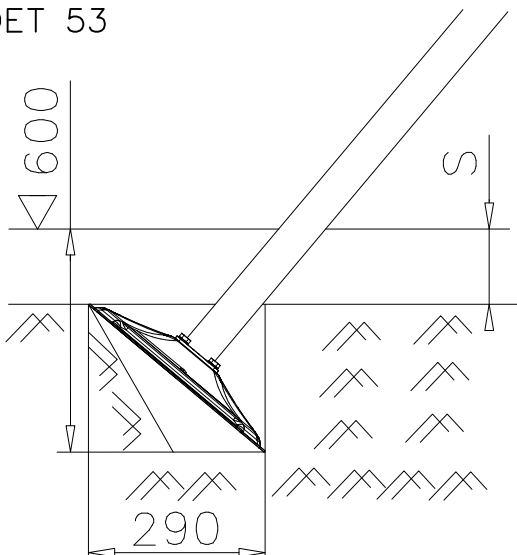
DET 51



DET 52



DET 53

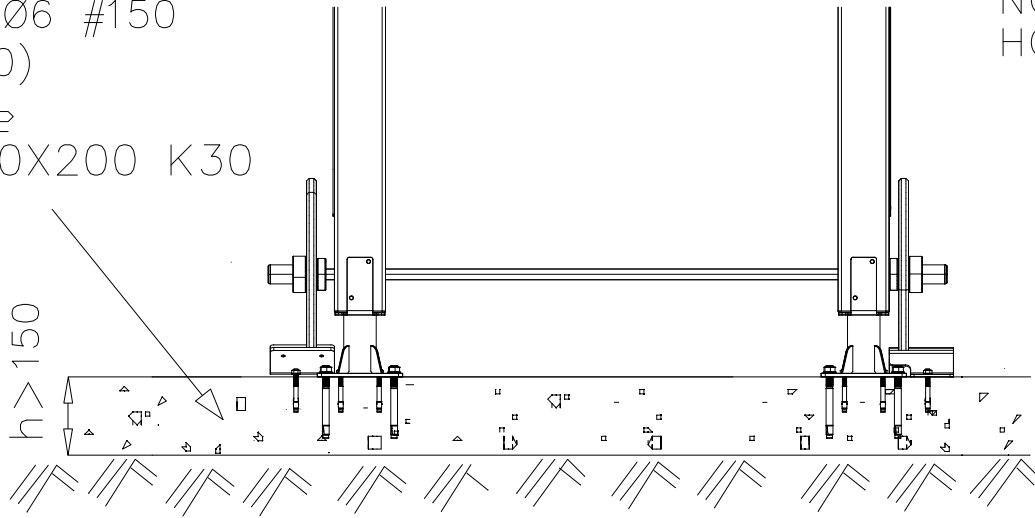


DET 54



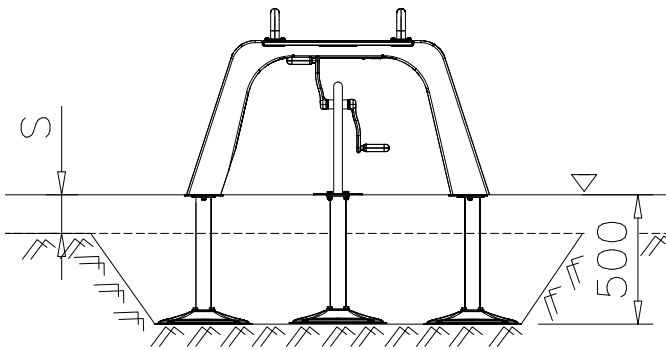
DET 55

STEELNET Ø6 #150
(1400x2100)
Concrete
1500X2200X200 K30

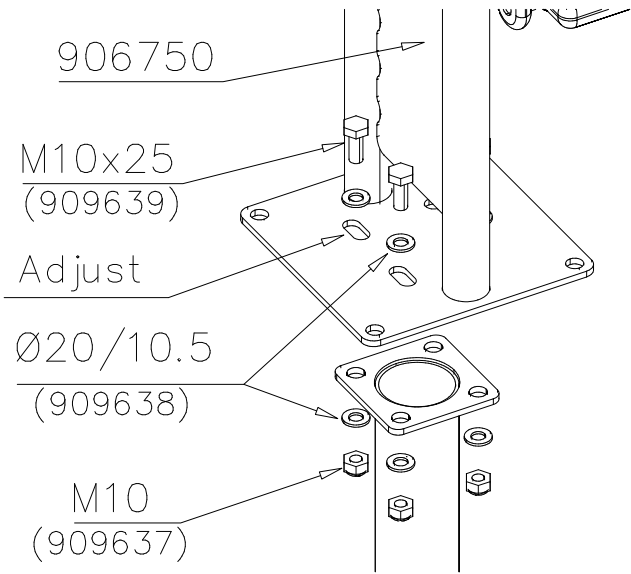


NOTE!
HOX!

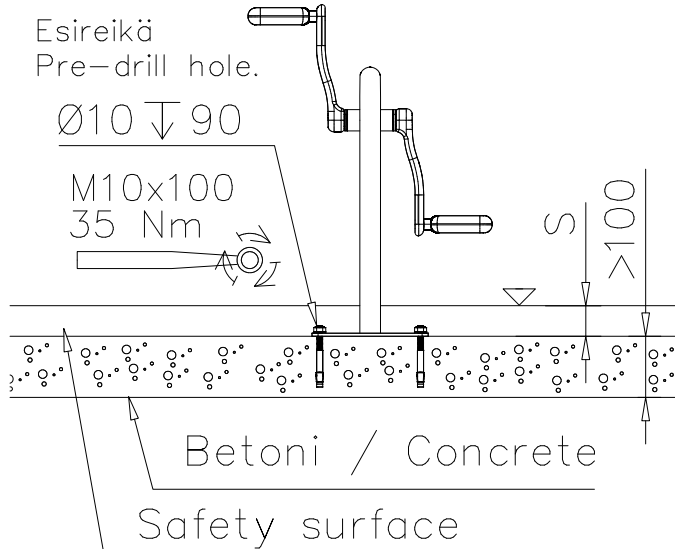
DET 56



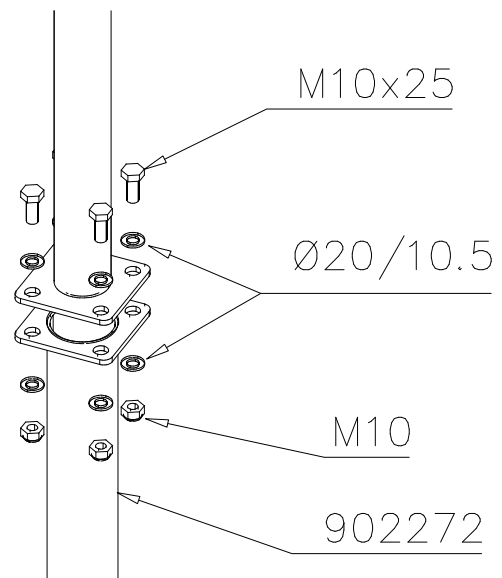
DET 57



DET 58



DET 59



DET 1



DET 2



DET 3



DET 4



DET 5

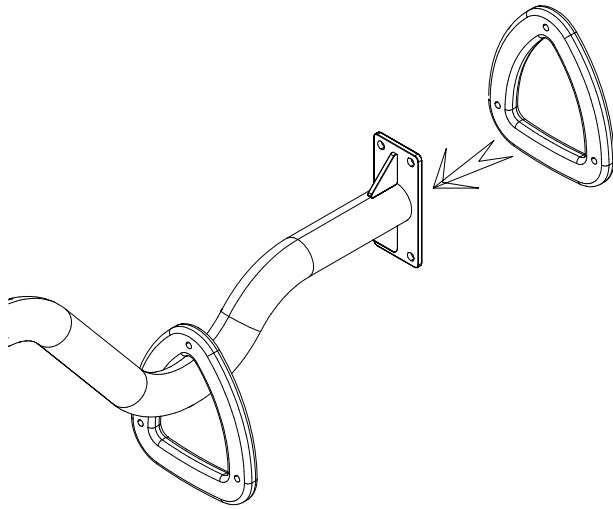


DET 6

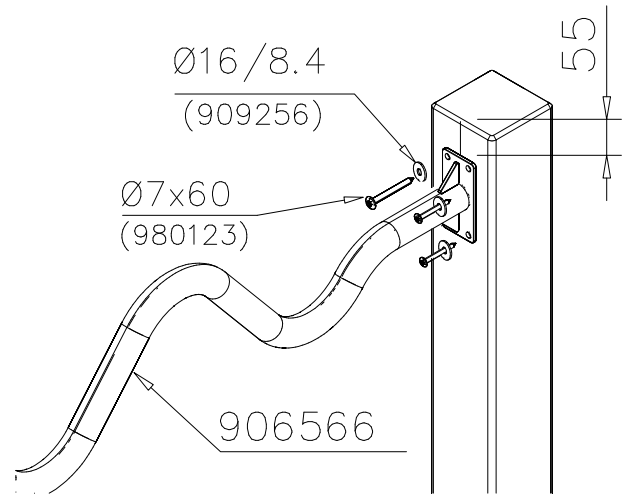




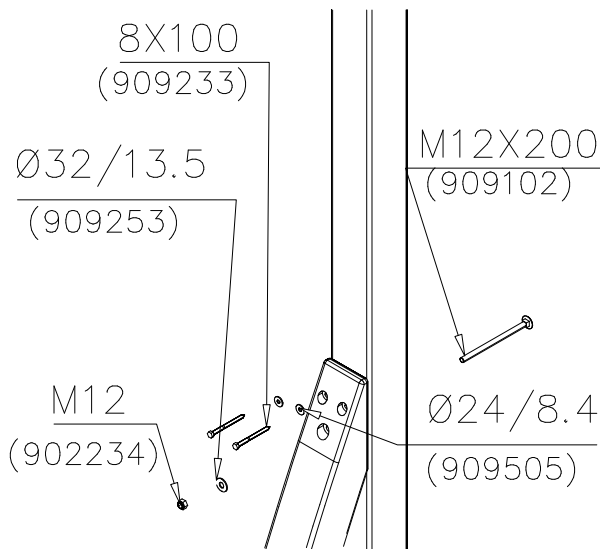
DET 13



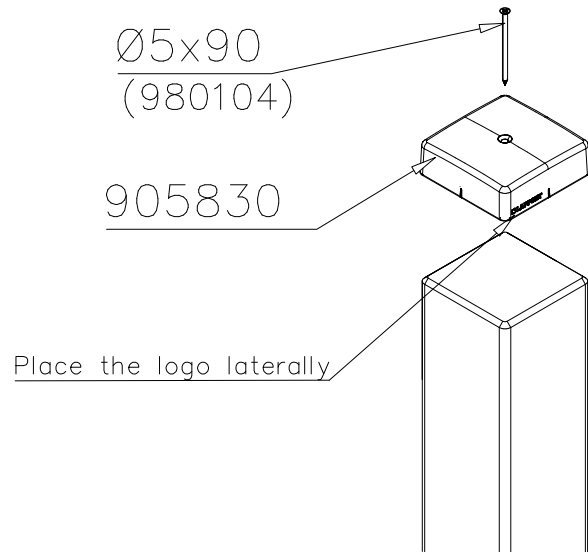
DET 14



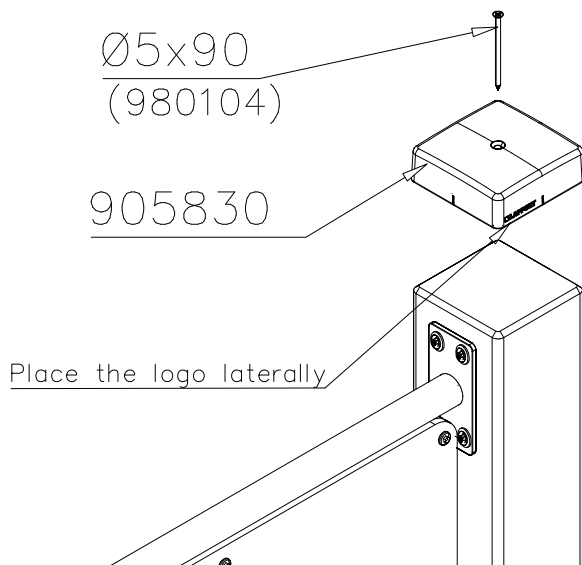
DET 15



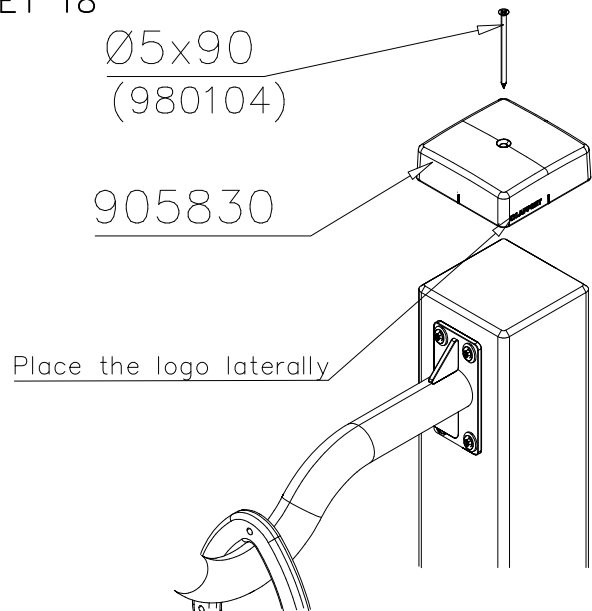
DET 16



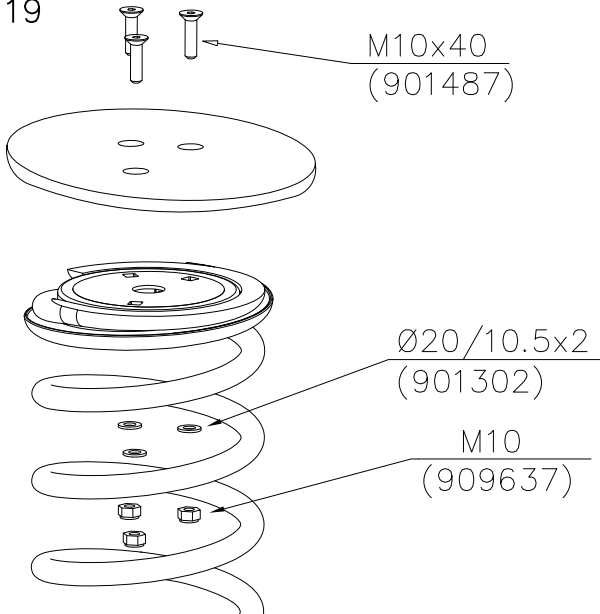
DET 17



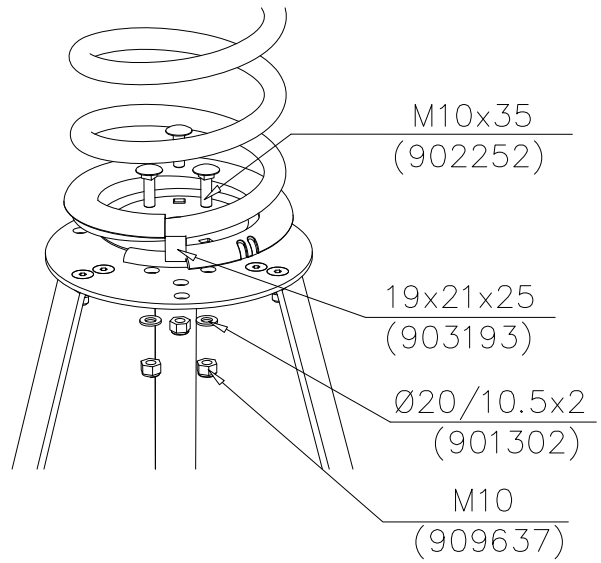
DET 18



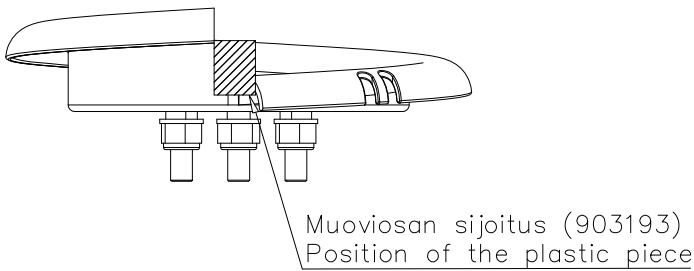
DET 19



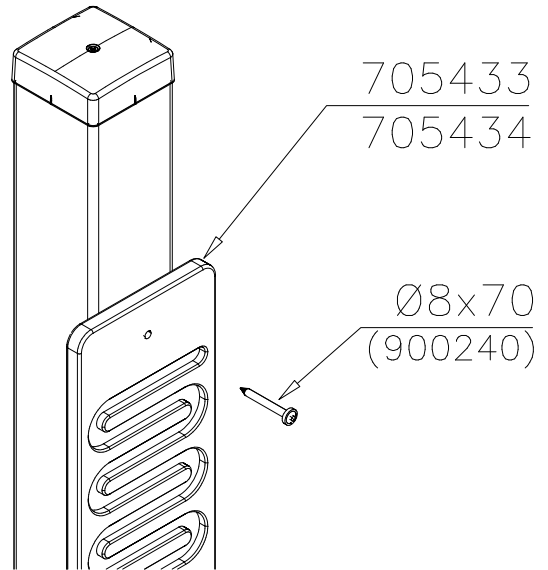
DET 20



DET 21



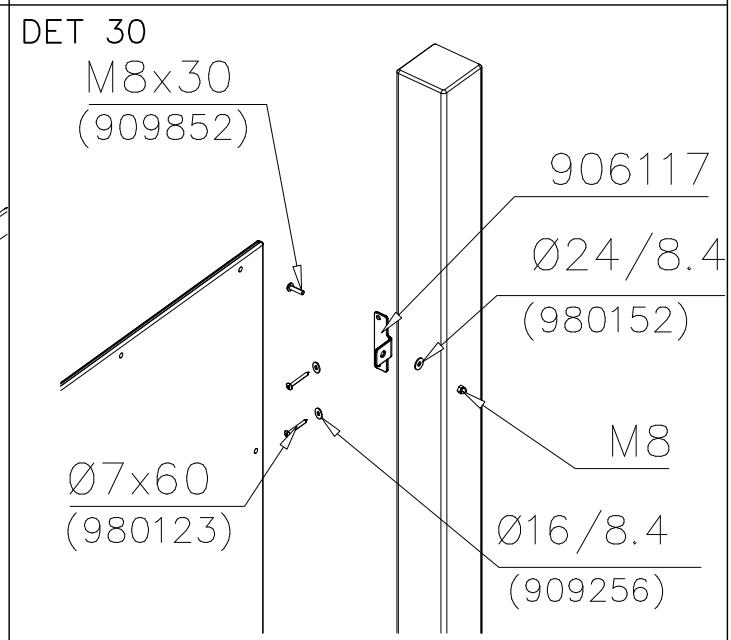
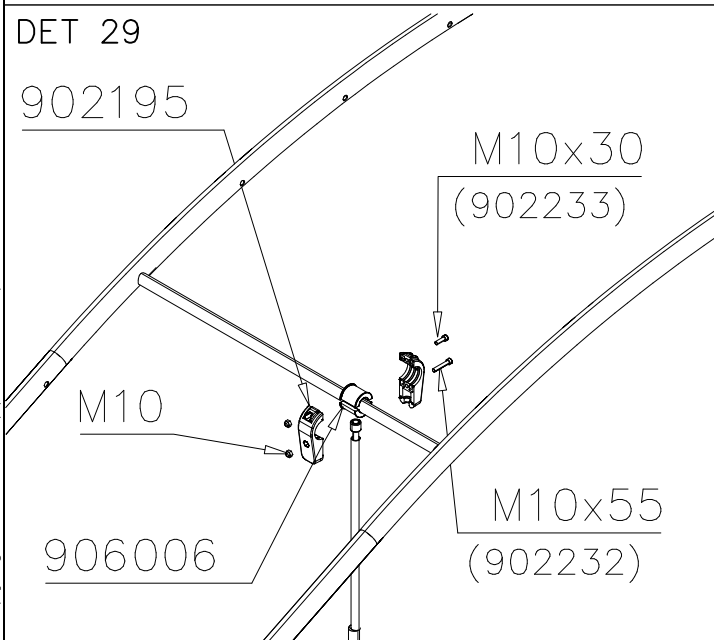
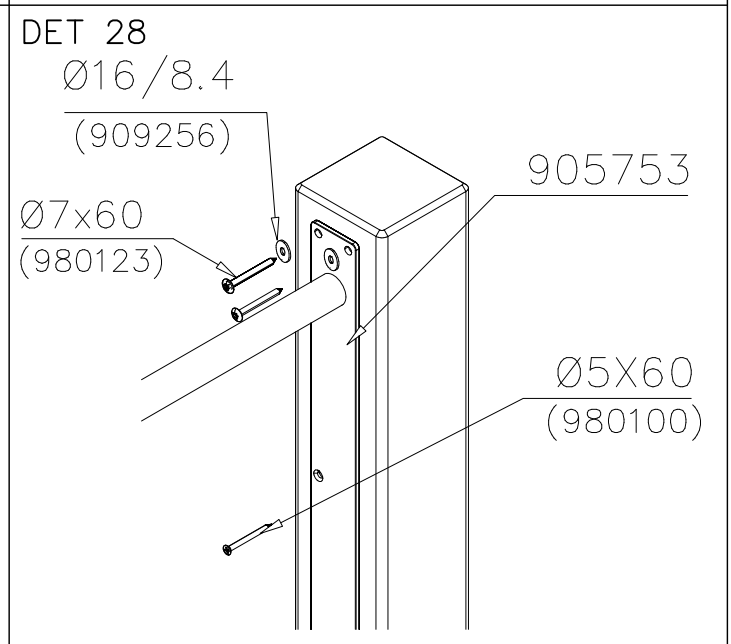
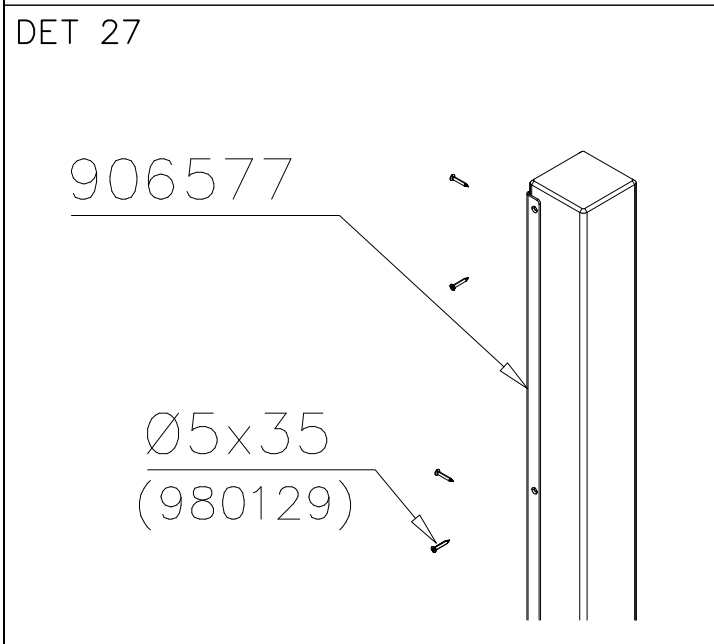
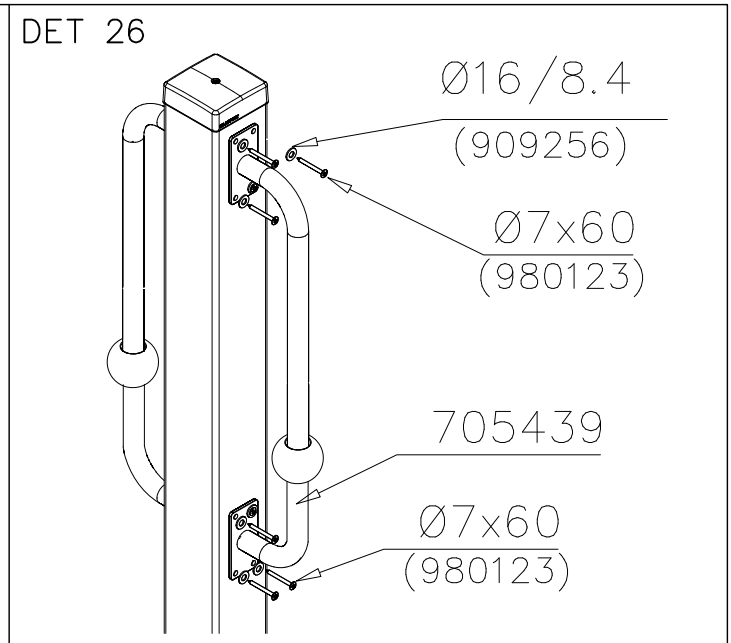
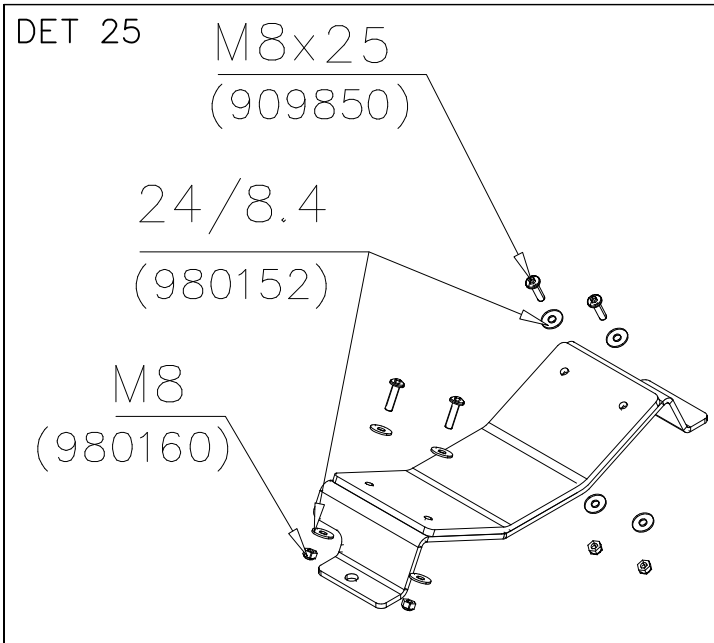
DET 22



DET 23



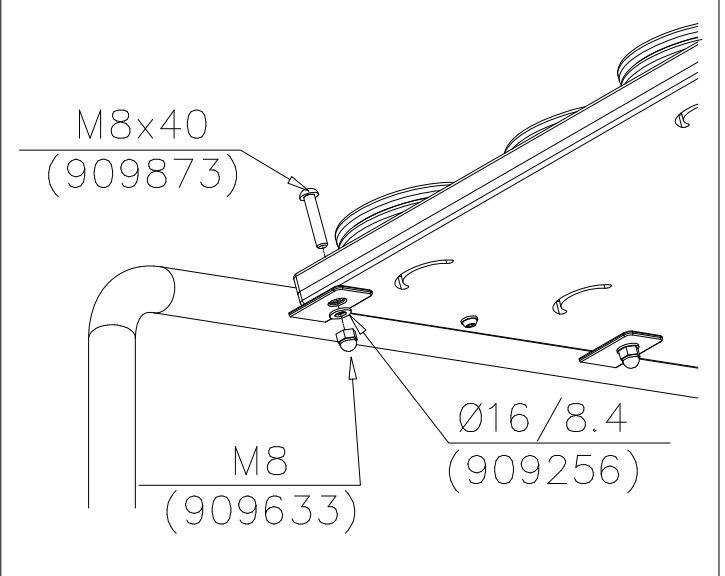
DET 24



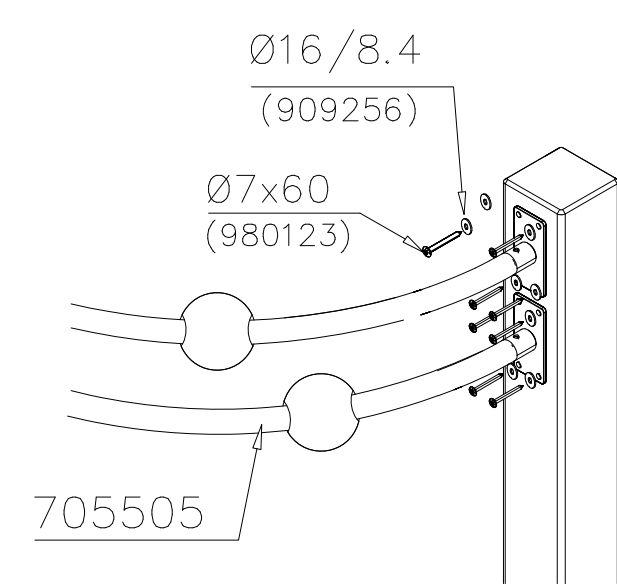
DET 31



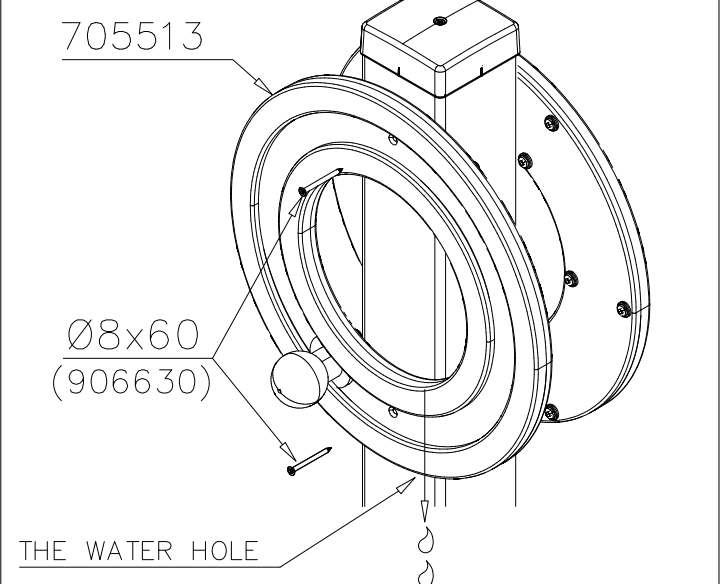
DET 32



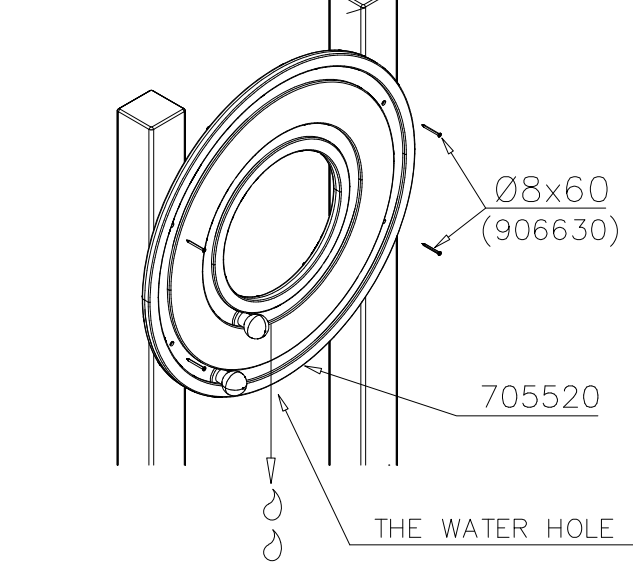
DET 33



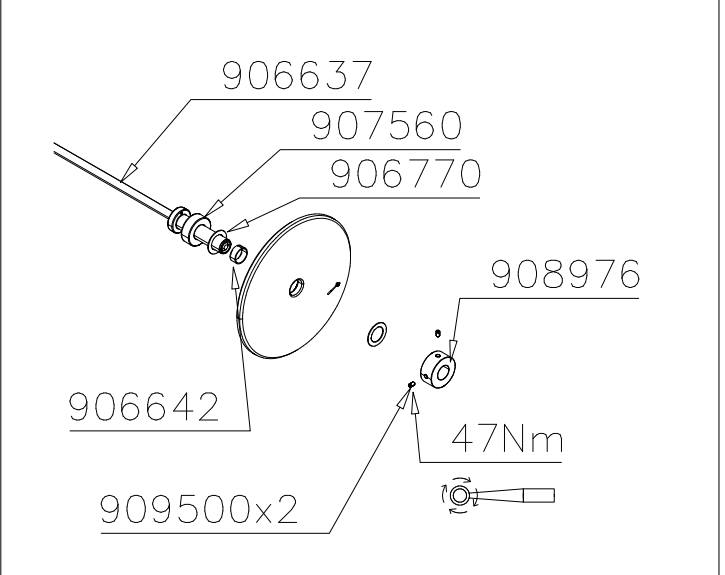
DET 34



DET 35



DET 36



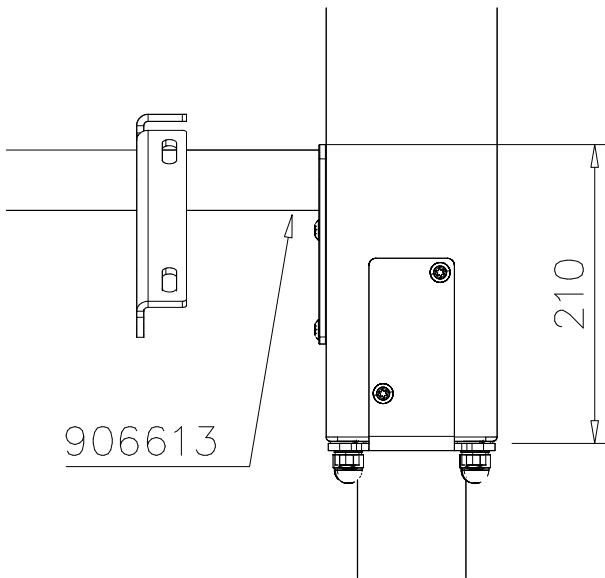
DET 37



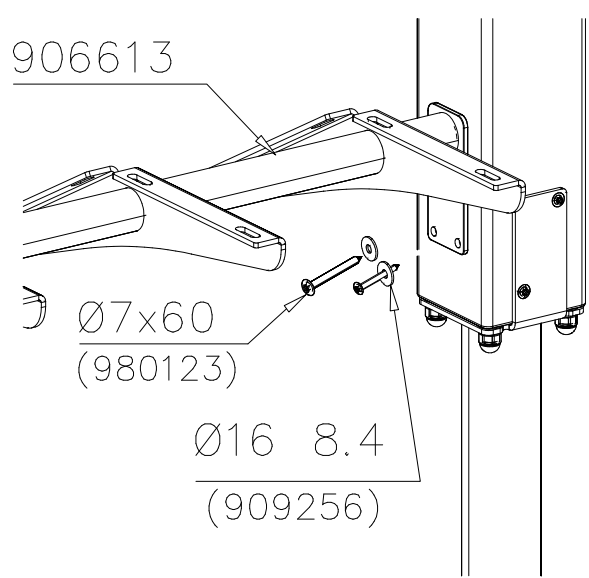
DET 38



DET 39



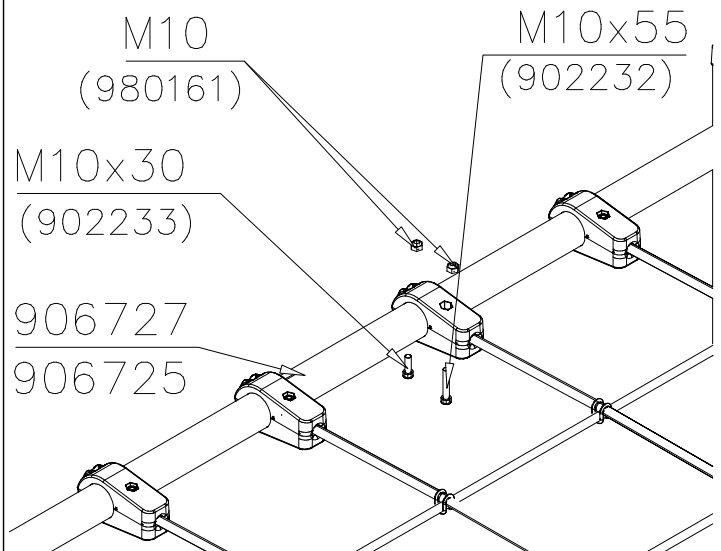
DET 40

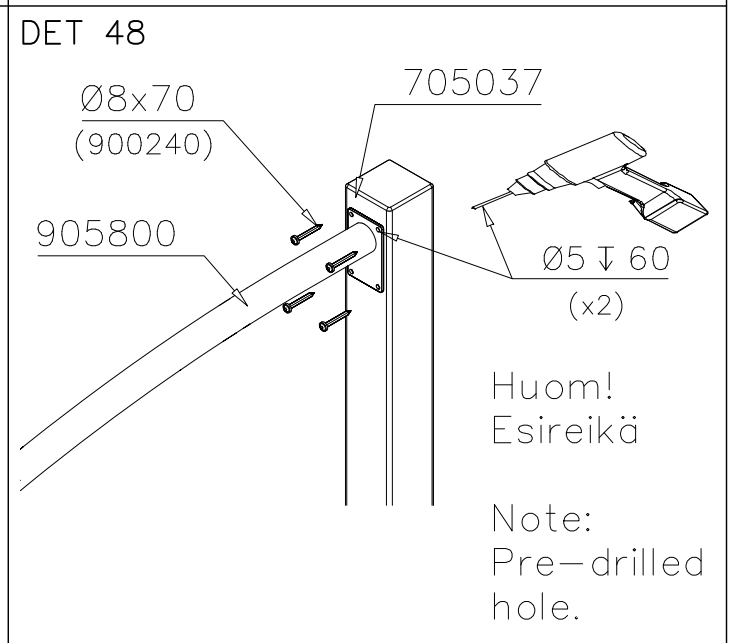
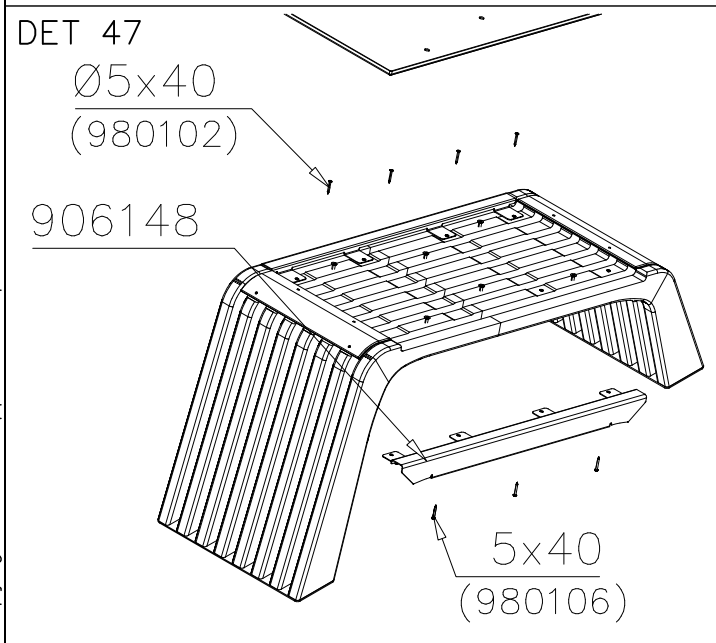


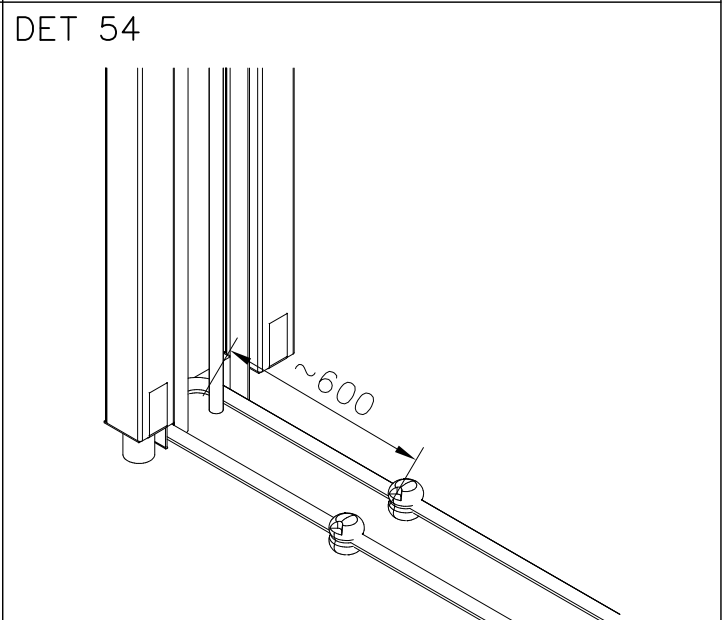
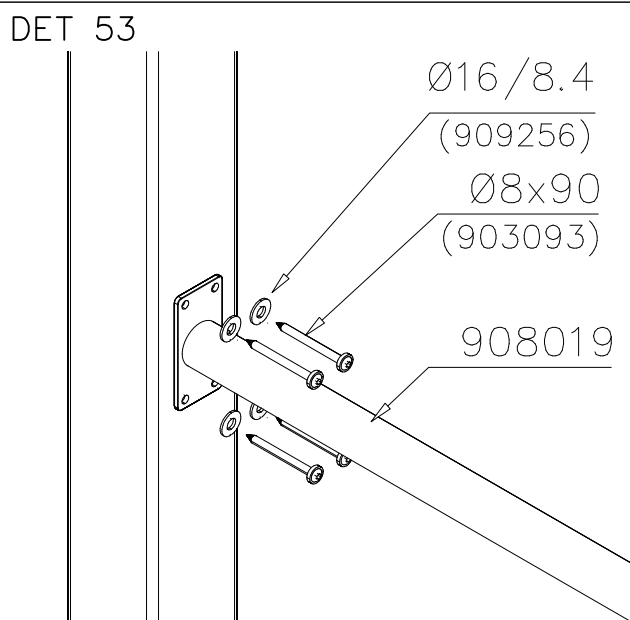
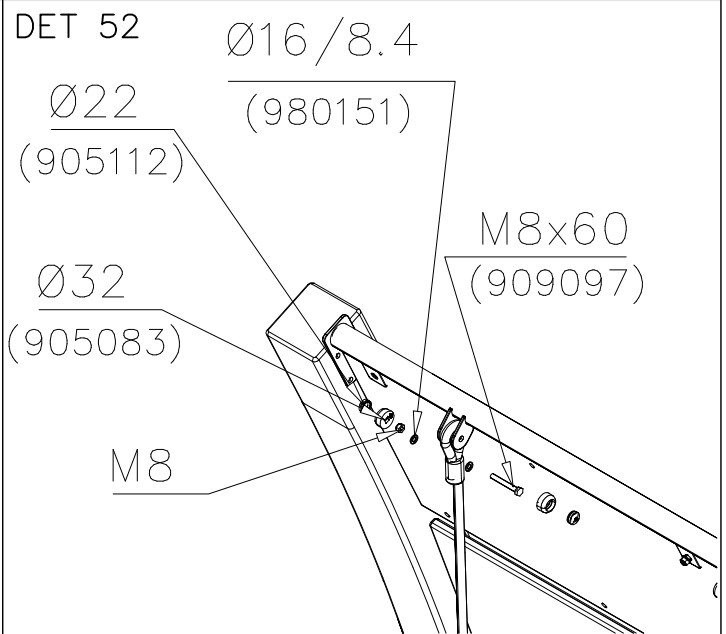
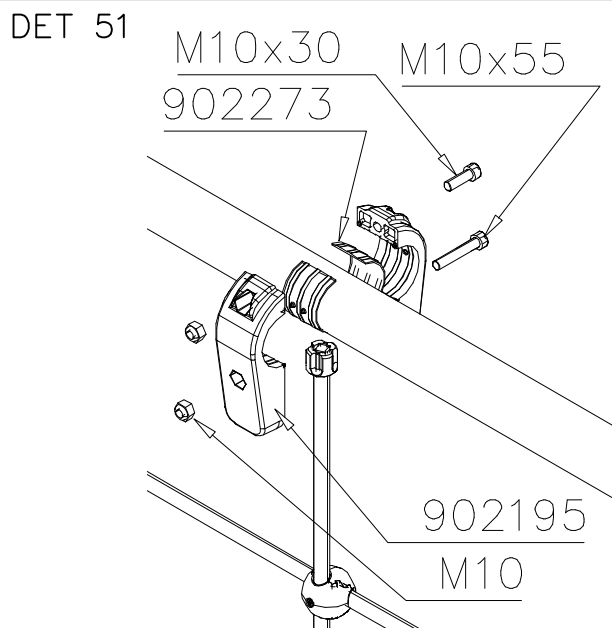
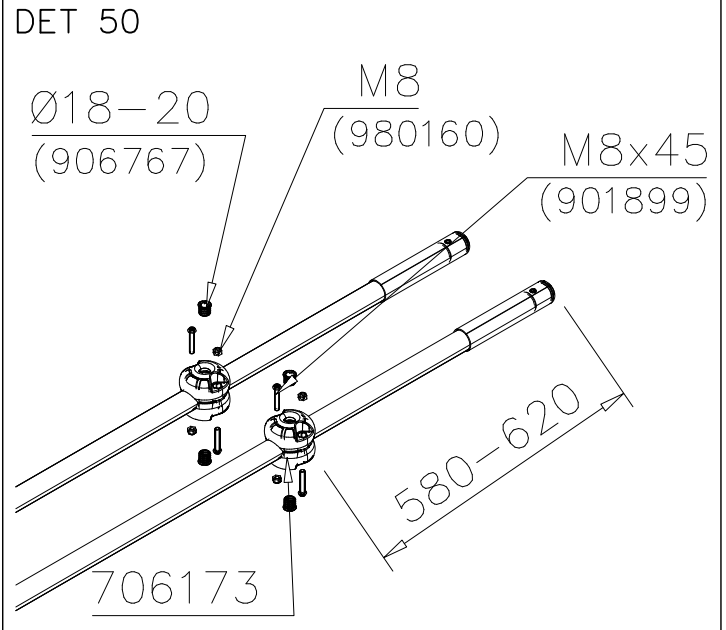
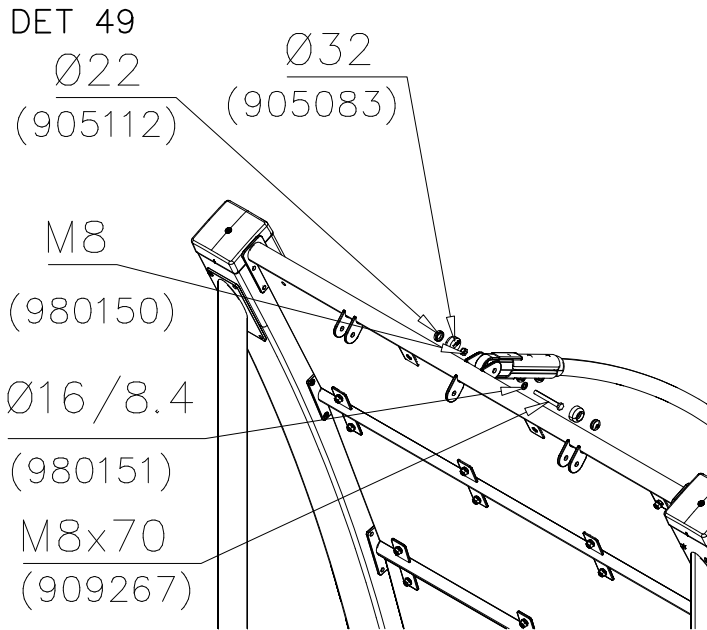
DET 41



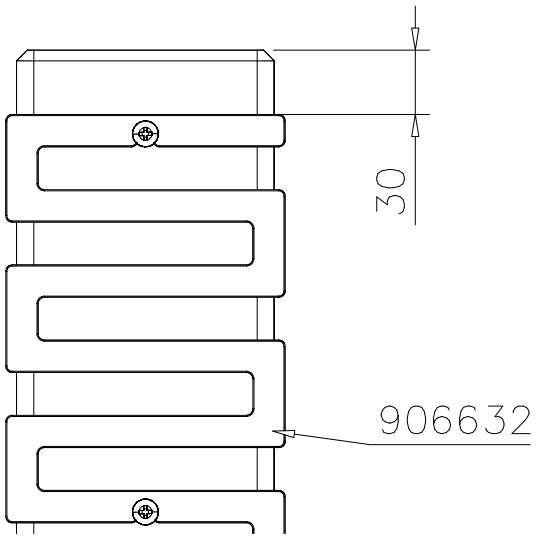
DET 42



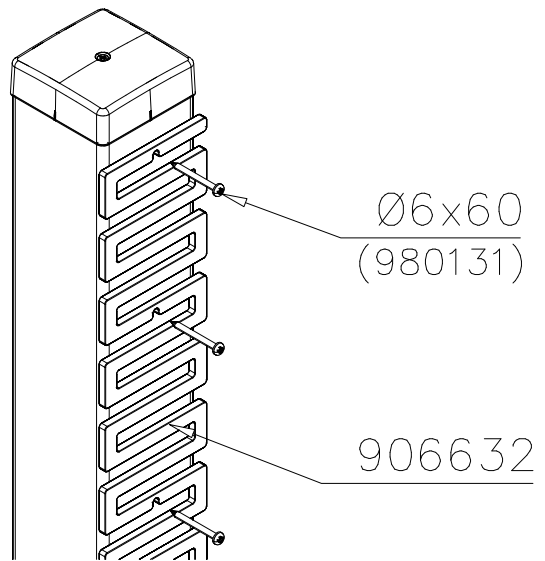




DET 55



DET 56



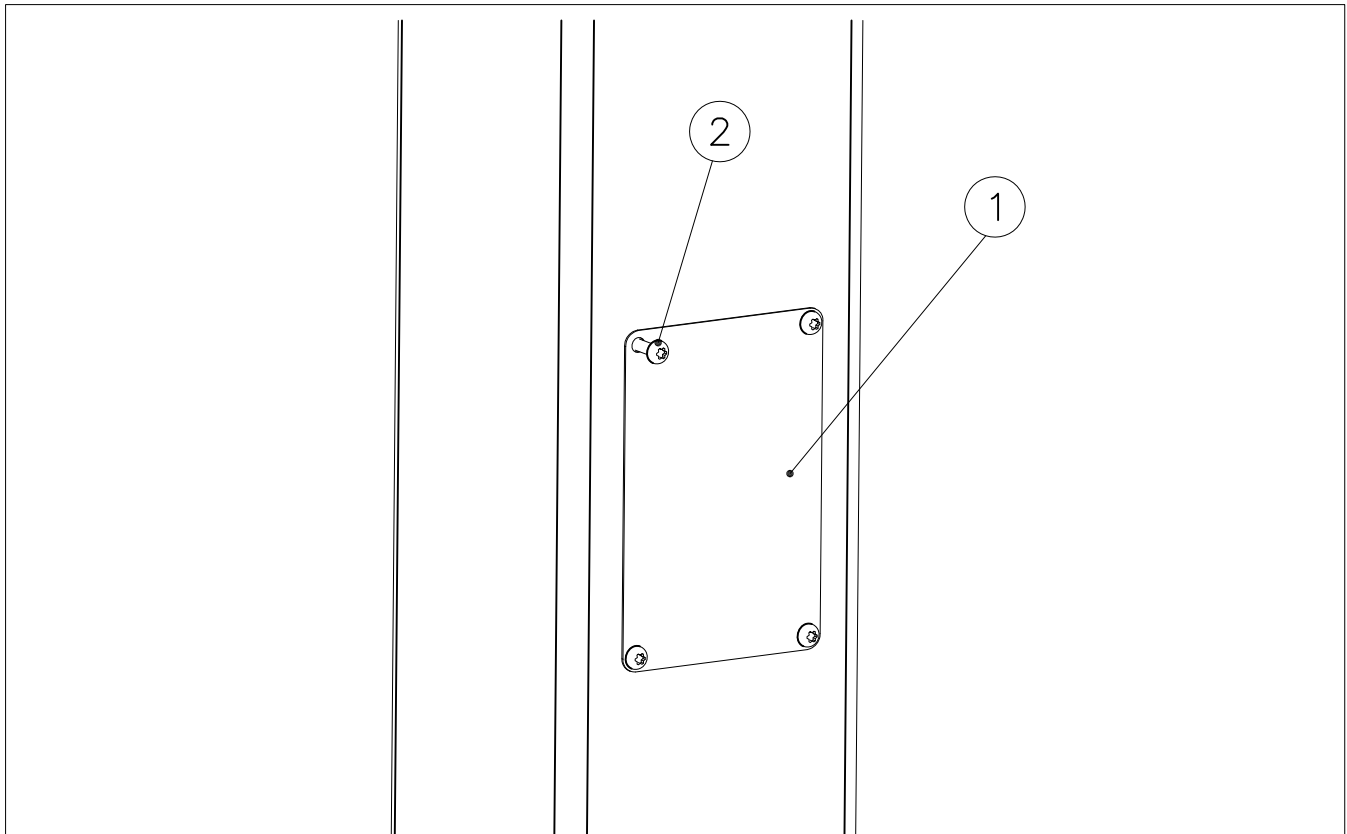
DET 57

DET 58

DET 59

DET 60

① SHEET METAL	PCS	② 980114	PCS
	1		4
118x78x0.7		Ø4x20	



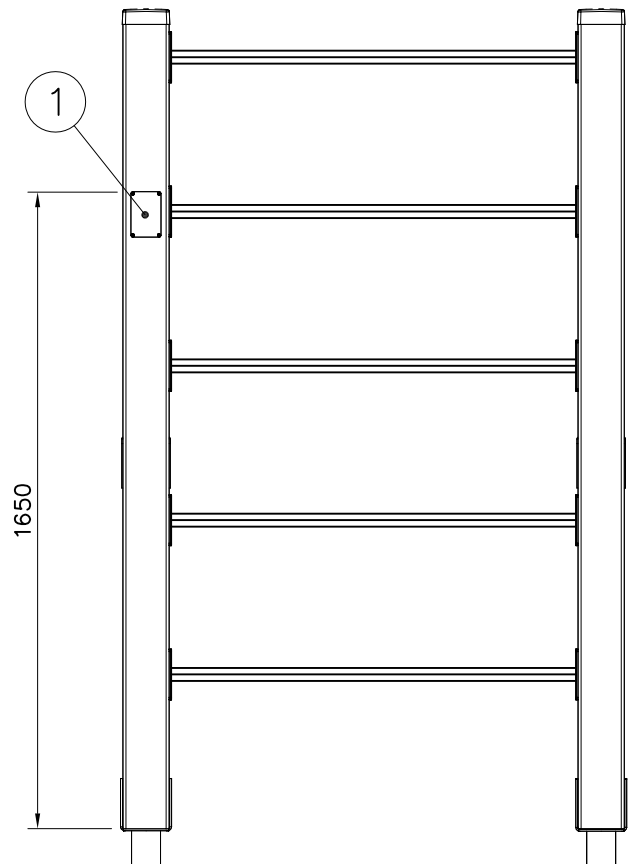
Example installation !
Esimerkki asennus !

Example installation !
Esimerkki asennus !

Example installation !
Esimerkki asennus !



Example installation !
Esimerkki asennus !



Example installation !
Esimerkki asennus !