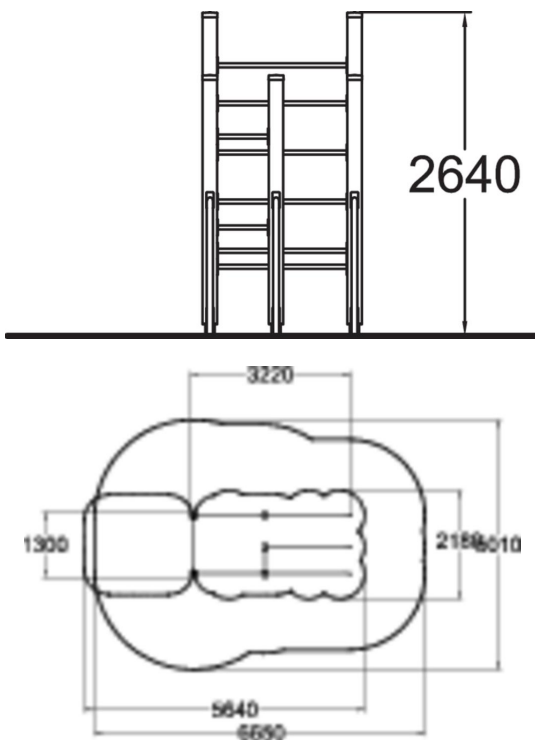


STREET WORKOUT S



S-size Street Workout product offers basic movements for bodyweight exercise, what are hanging, pull-up, dips and rowing. Pull-up bars on two different levels, give you possibility to exercise different swing movements. On dip bars there is possible to exercise different kips and tractions.



Product length, mm	3220
Product width, mm	1300
Product height, mm	2640
Impact area, m ²	28
Max. free fall height, mm	2220
Safety info	EN 16630, EN 1176-1 TÜV
Foundation options	Deep mounting Surface mounting