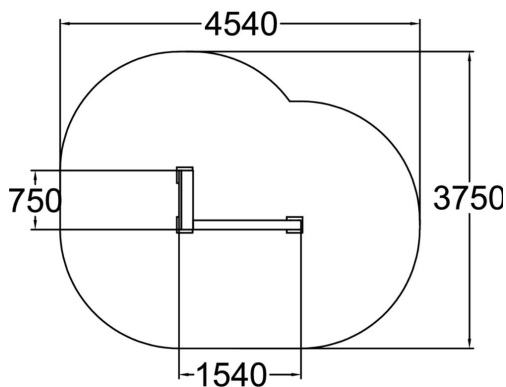
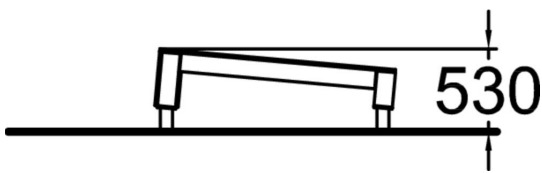




Vault S functions are vaulting for kids and balancing, jumps and landings for all age groups. The inclined L-shape provides directional versatility and invites to continue movement. Vault S can be used to connect functions with other equipment or connect two other equipment to create obstacle courses. Vault S have a wooden frame.



Product length, mm	1540
Product width, mm	750
Product height, mm	530
Falling space, m ²	13.8
Height required, mm	2630
Max. free fall height, mm	530
Safety info	EN 16899 TÜV
Foundation options	deep_mounting surface_mounting
Wood	<input checked="" type="checkbox"/>
Metal	<input type="checkbox"/>