

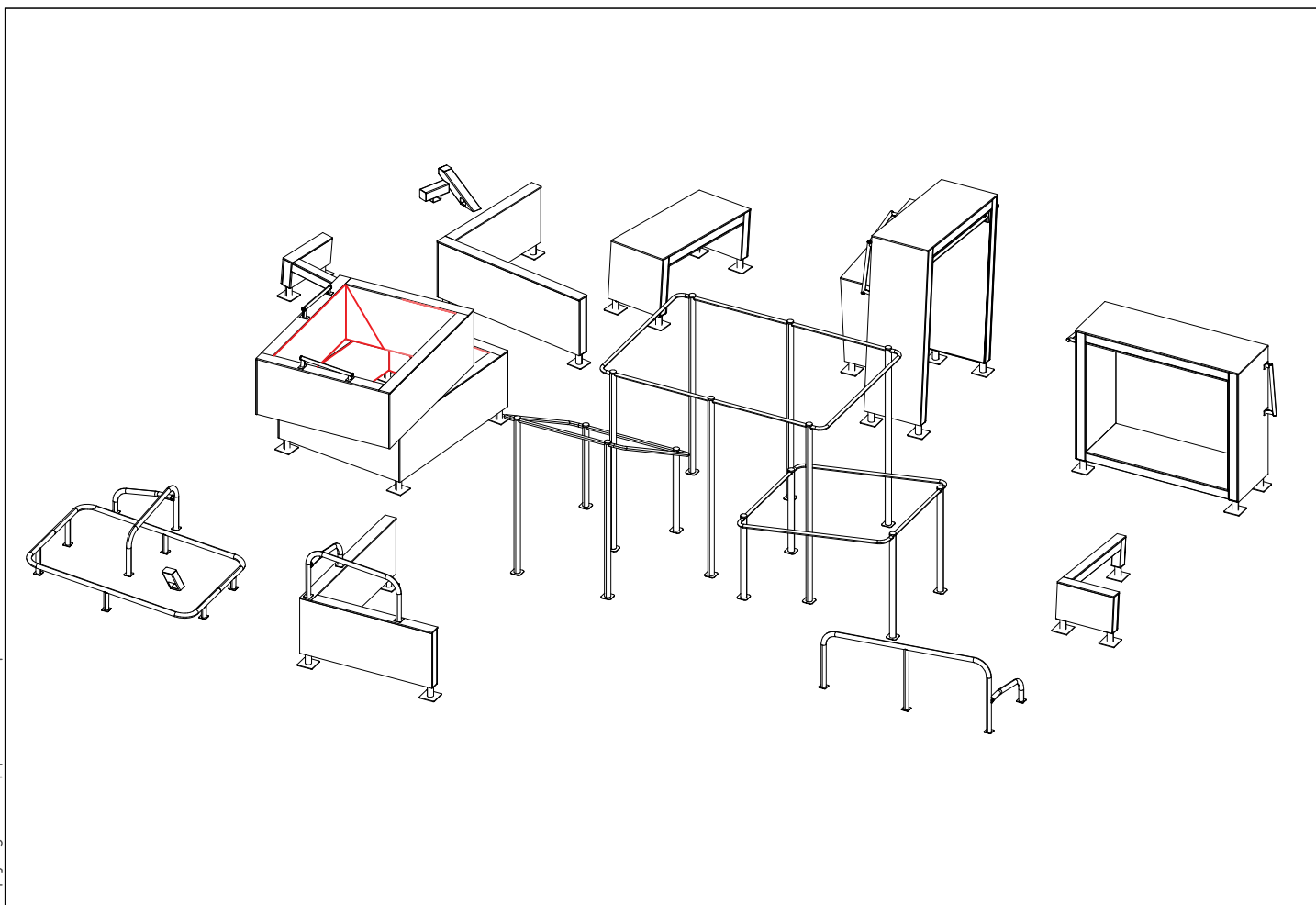
# **LAPPSET®**

## **DASH PARKOUR**

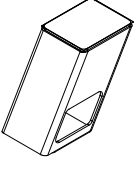

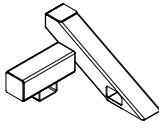

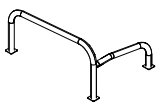

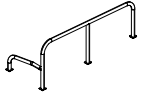

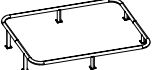

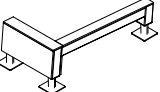

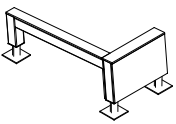

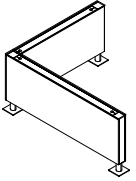

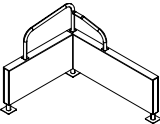

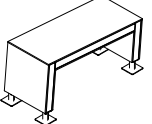

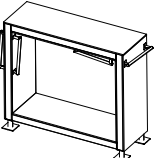

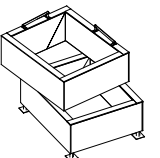

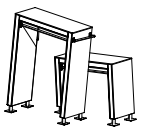



ASENNUSOHJE  
MONTERINGSANSVISNING  
INSTALLATION INSTRUCTION  
AUFBAUANLEITUNG  
NOTICE D'INSTALLATION

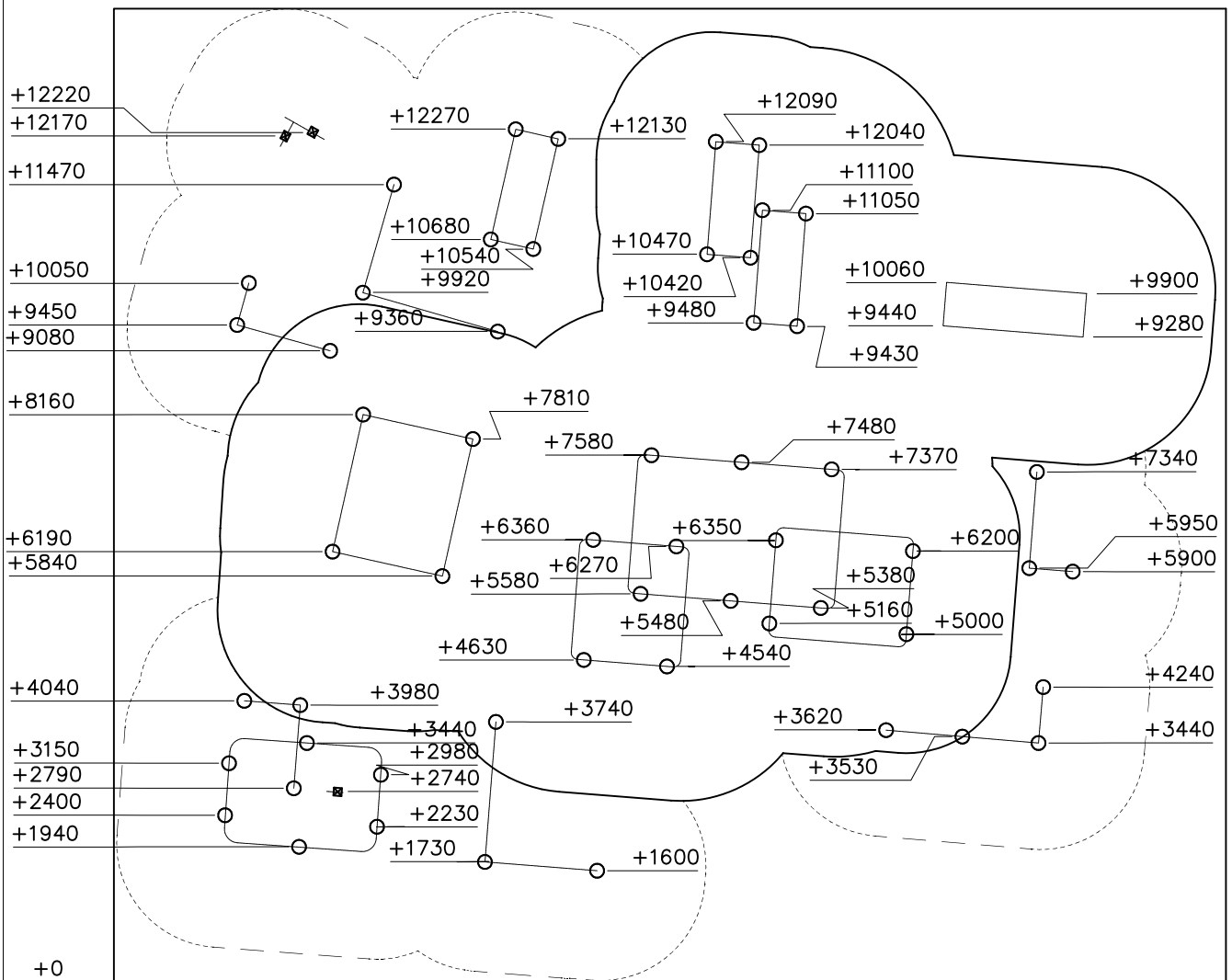
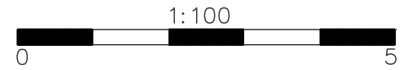
DATE: 27.2.2020

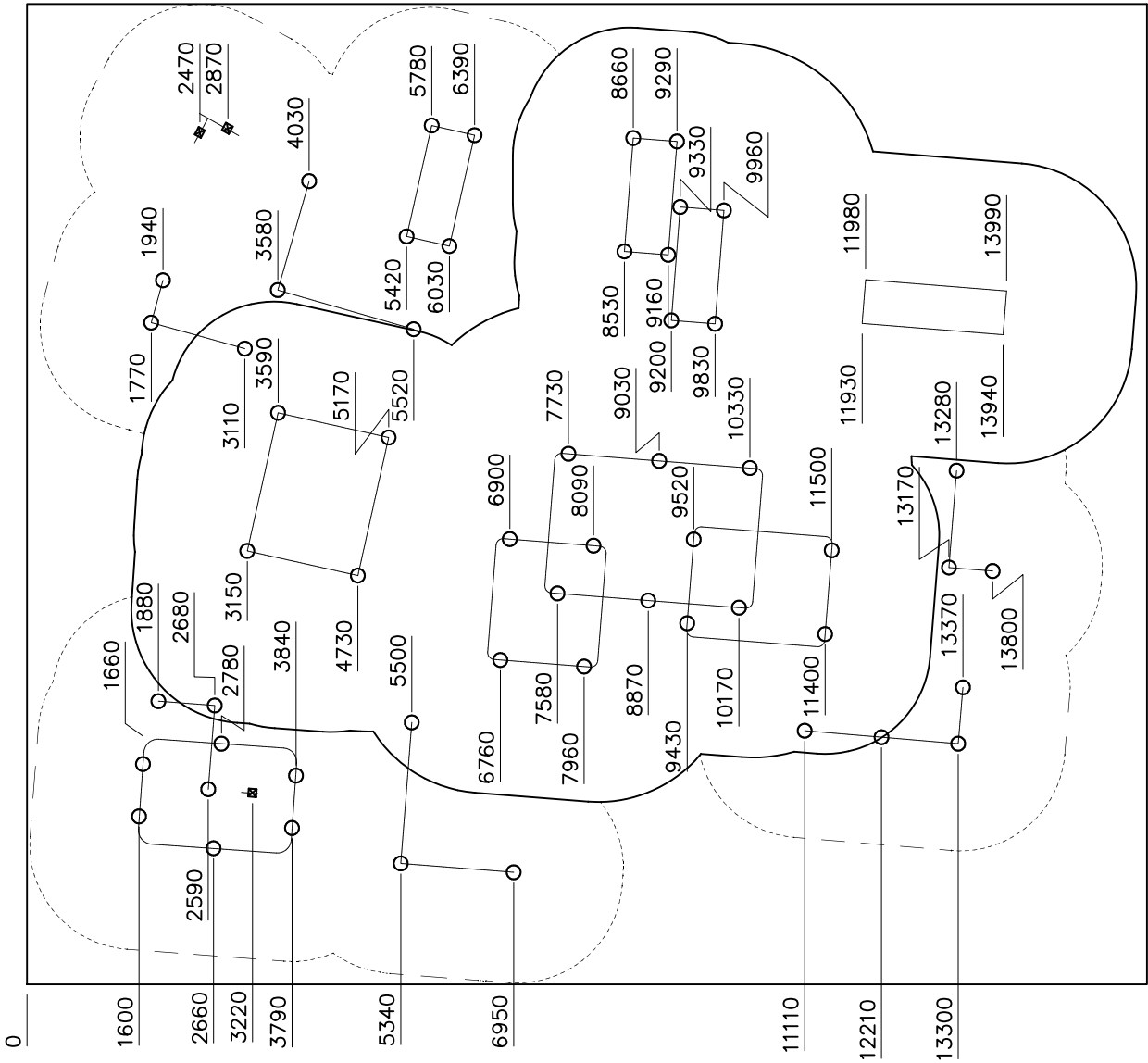
### **081786M**



DATE: 27.2.2020

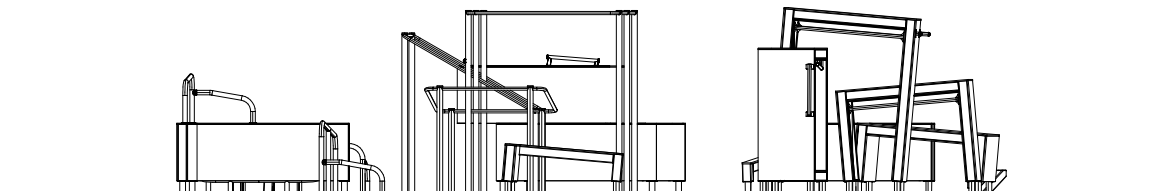
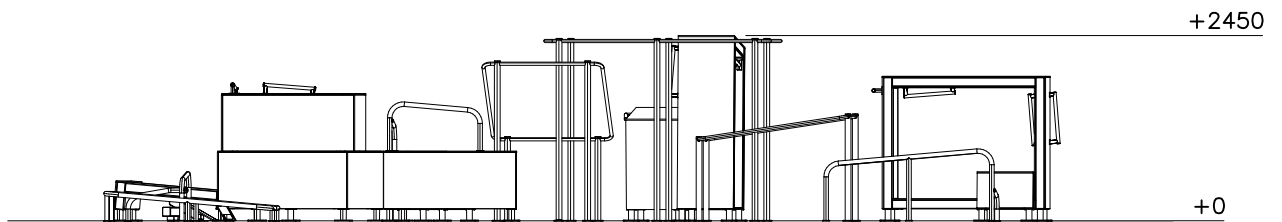
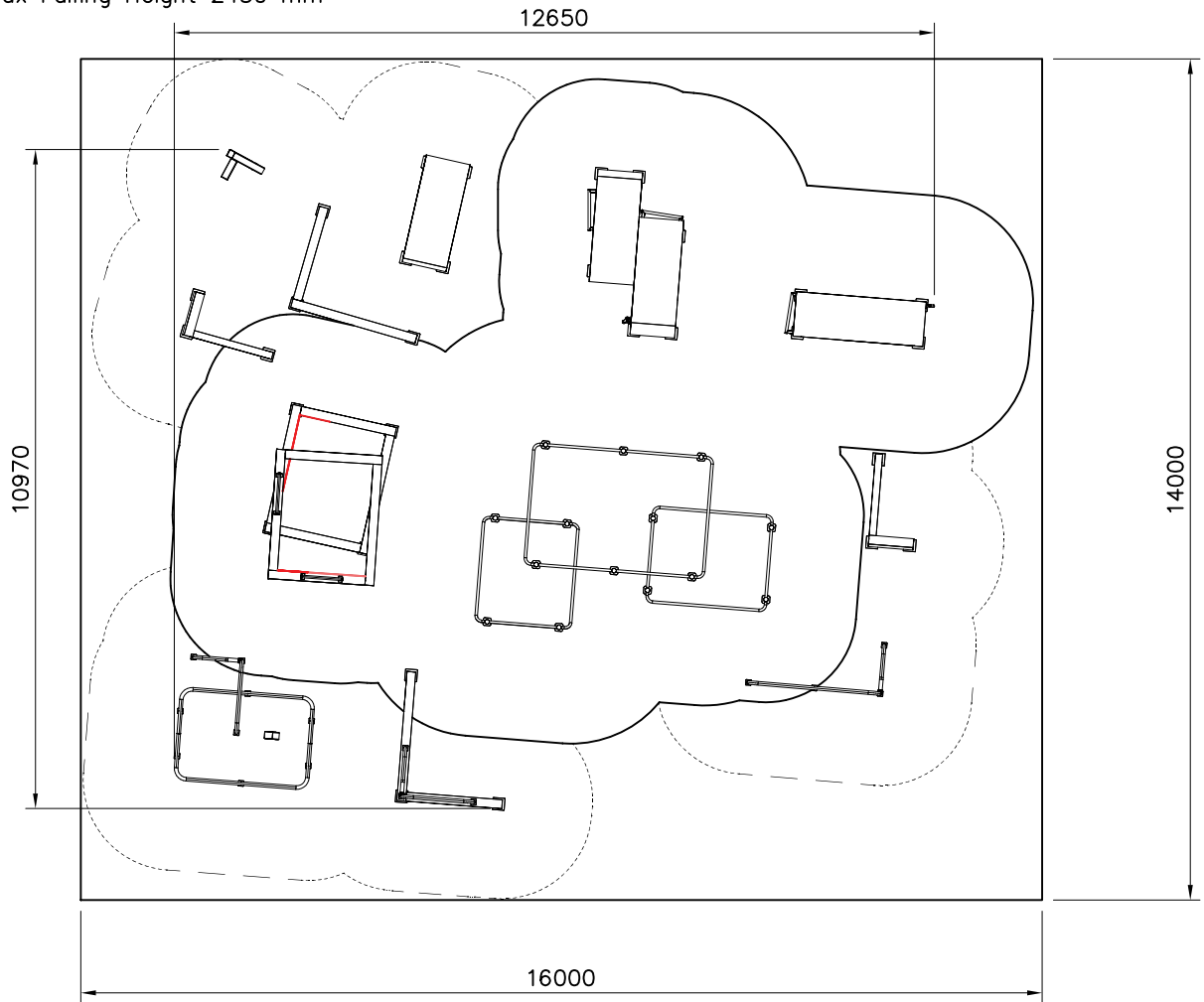
081700M  	PCS 1	081701M  	PCS 1	081711M  	PCS 1	081712M  	PCS 1	081713M  	PCS 1	081720M  	PCS 1
081721M  	PCS 1	081722M  	PCS 1	081726M  	PCS 1	081730M  	PCS 1	081733M  	PCS 1	081734M  	PCS 1
081737M  	PCS 1	081751M  	PCS 1		PCS		PCS		PCS		PCS
	PCS		PCS		PCS		PCS		PCS		PCS
	PCS		PCS		PCS		PCS		PCS		PCS
	PCS		PCS		PCS		PCS		PCS		PCS
	PCS		PCS		PCS		PCS		PCS		PCS



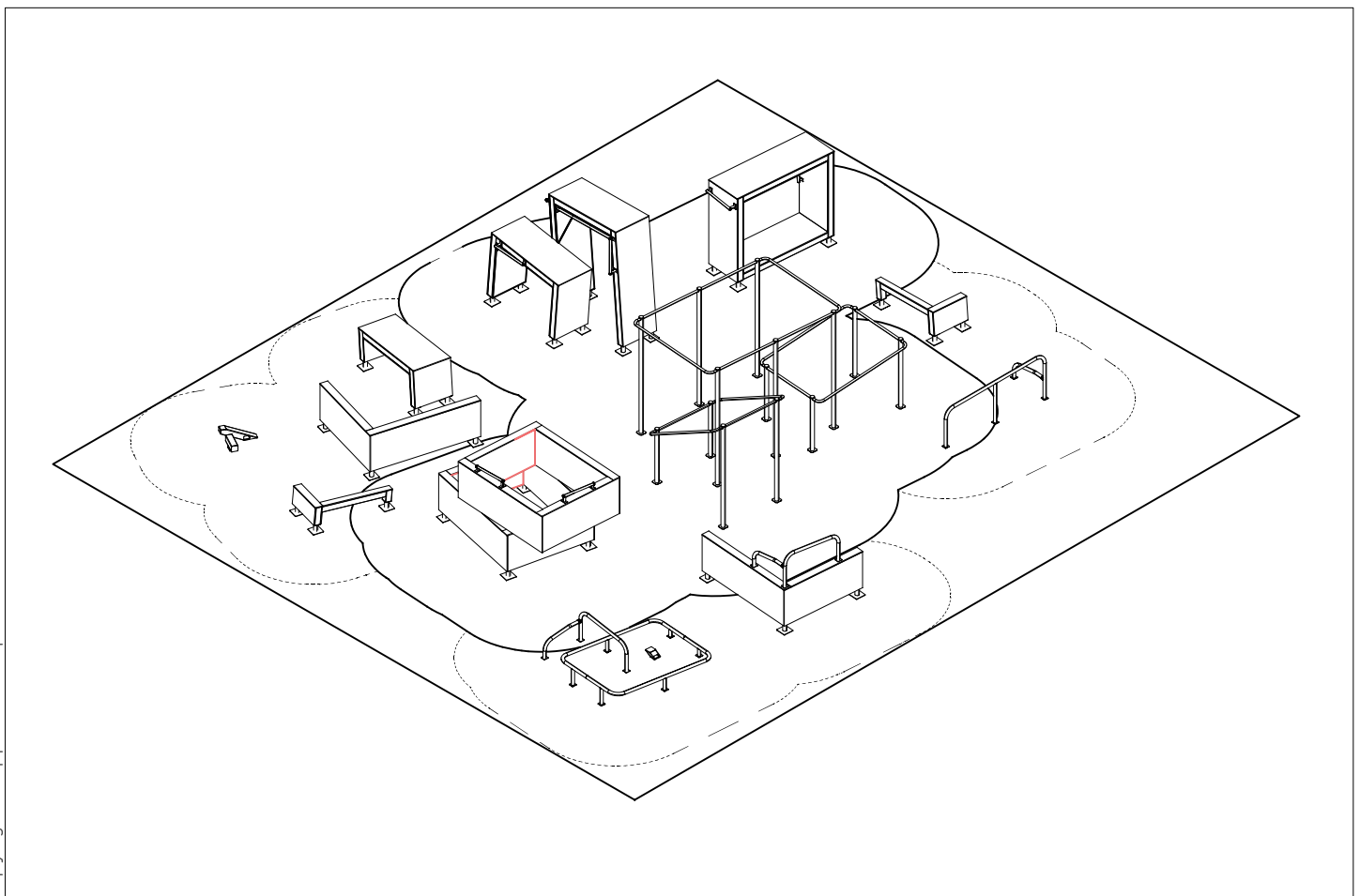
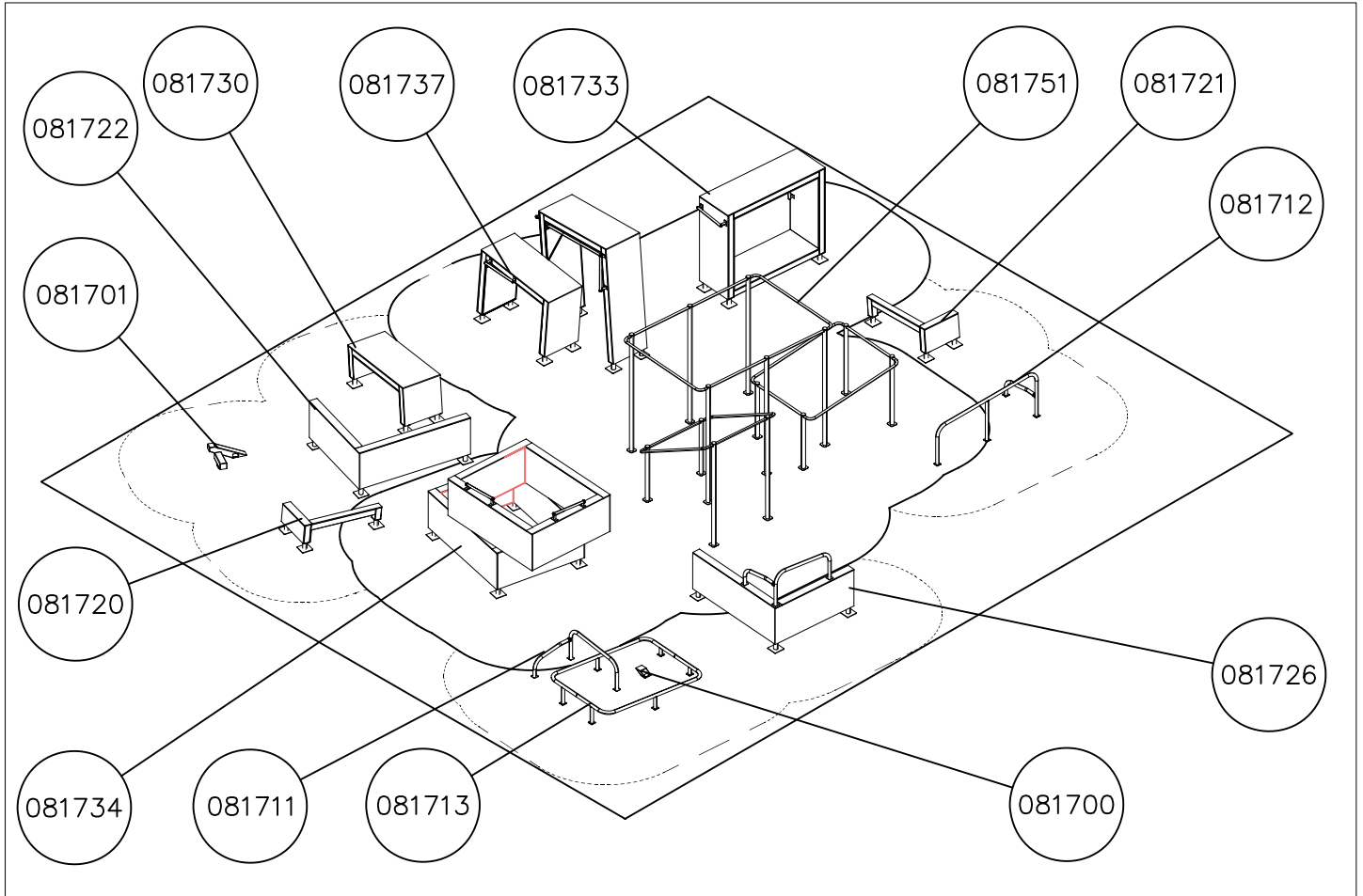


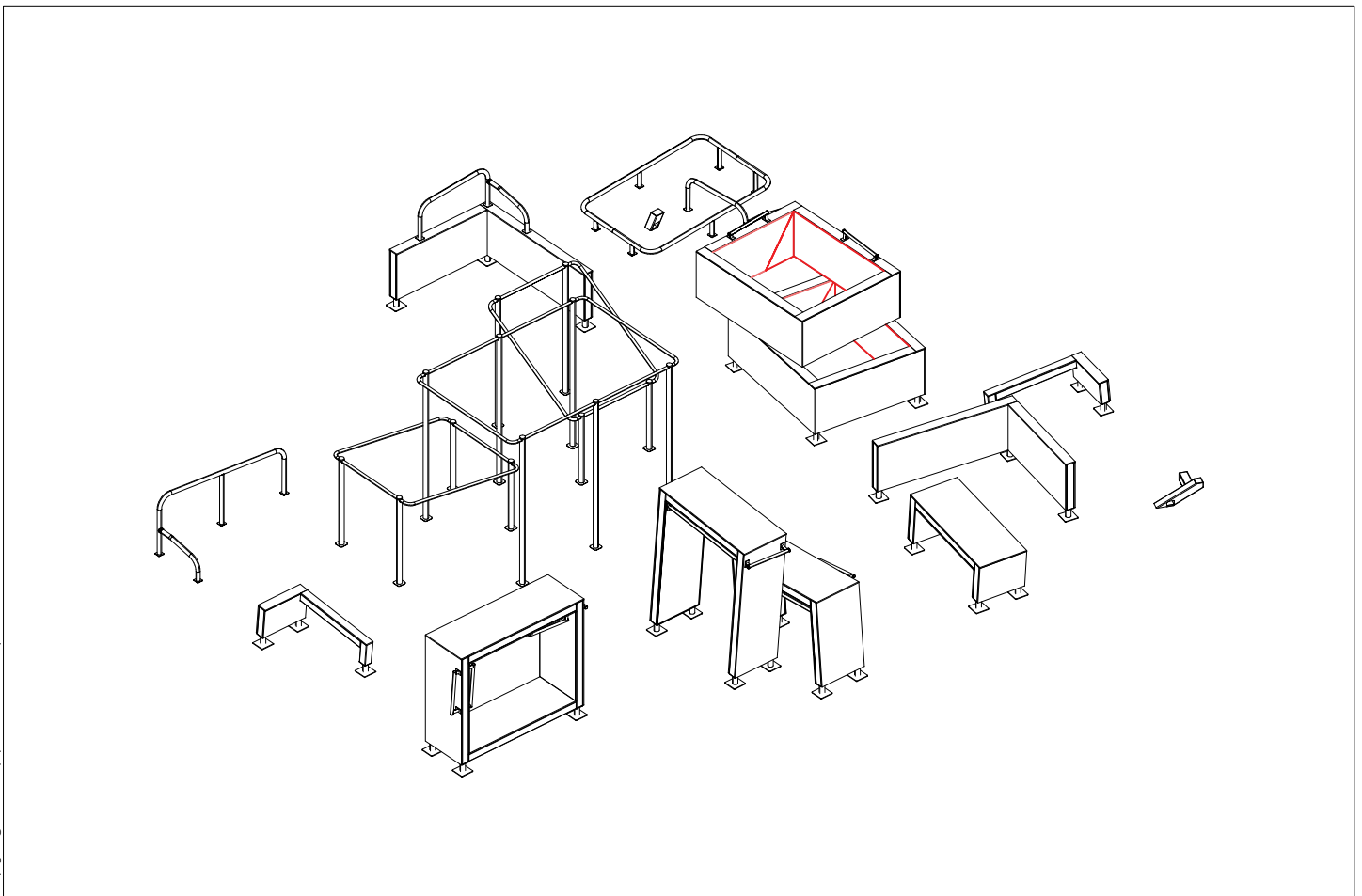
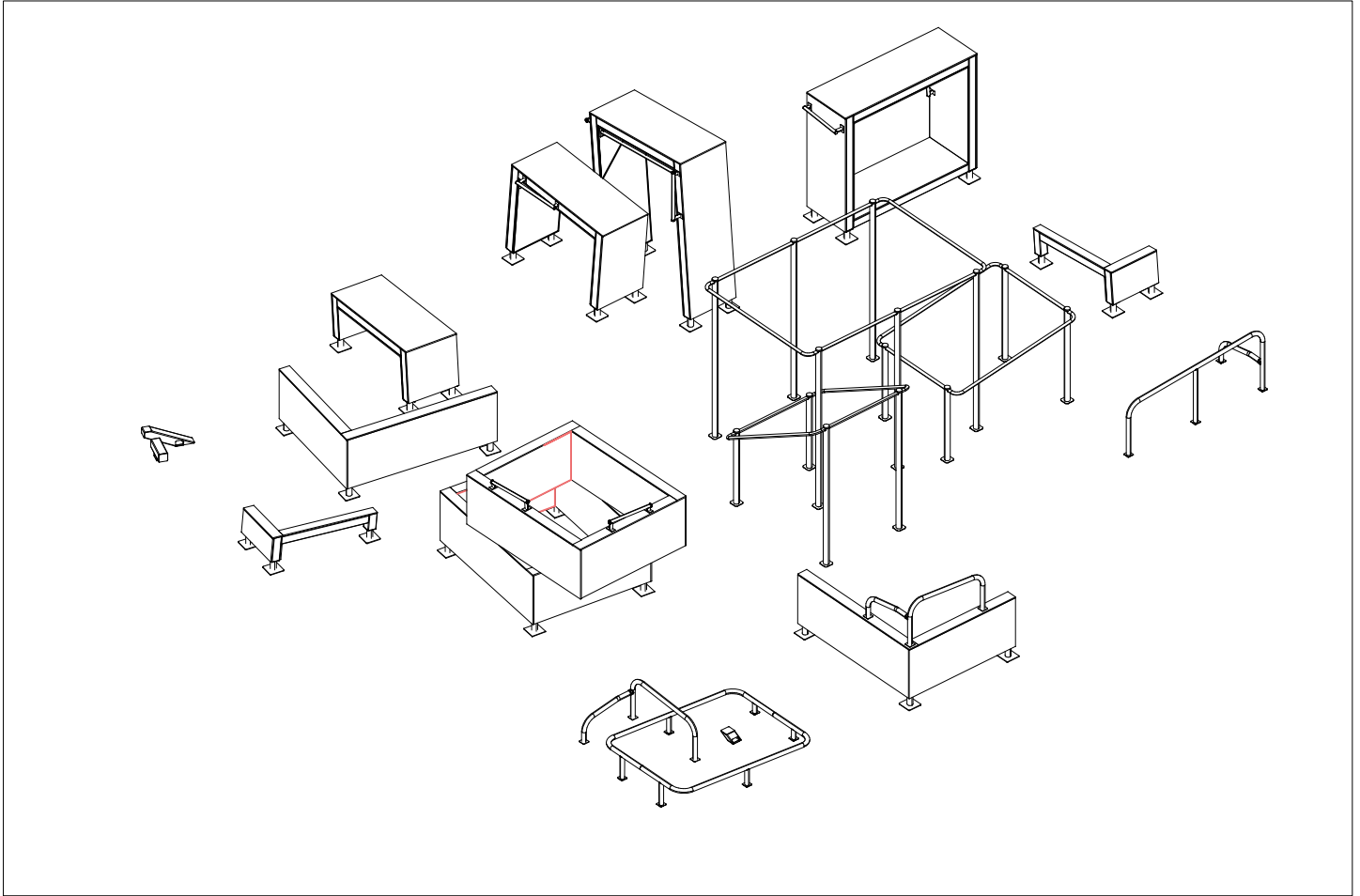
- EN Impact Attenuating Surface (IAS) 102.1 m<sup>2</sup>
- Falling Space 173.6 m<sup>2</sup>
- Max Falling Height 2450 mm

1:125

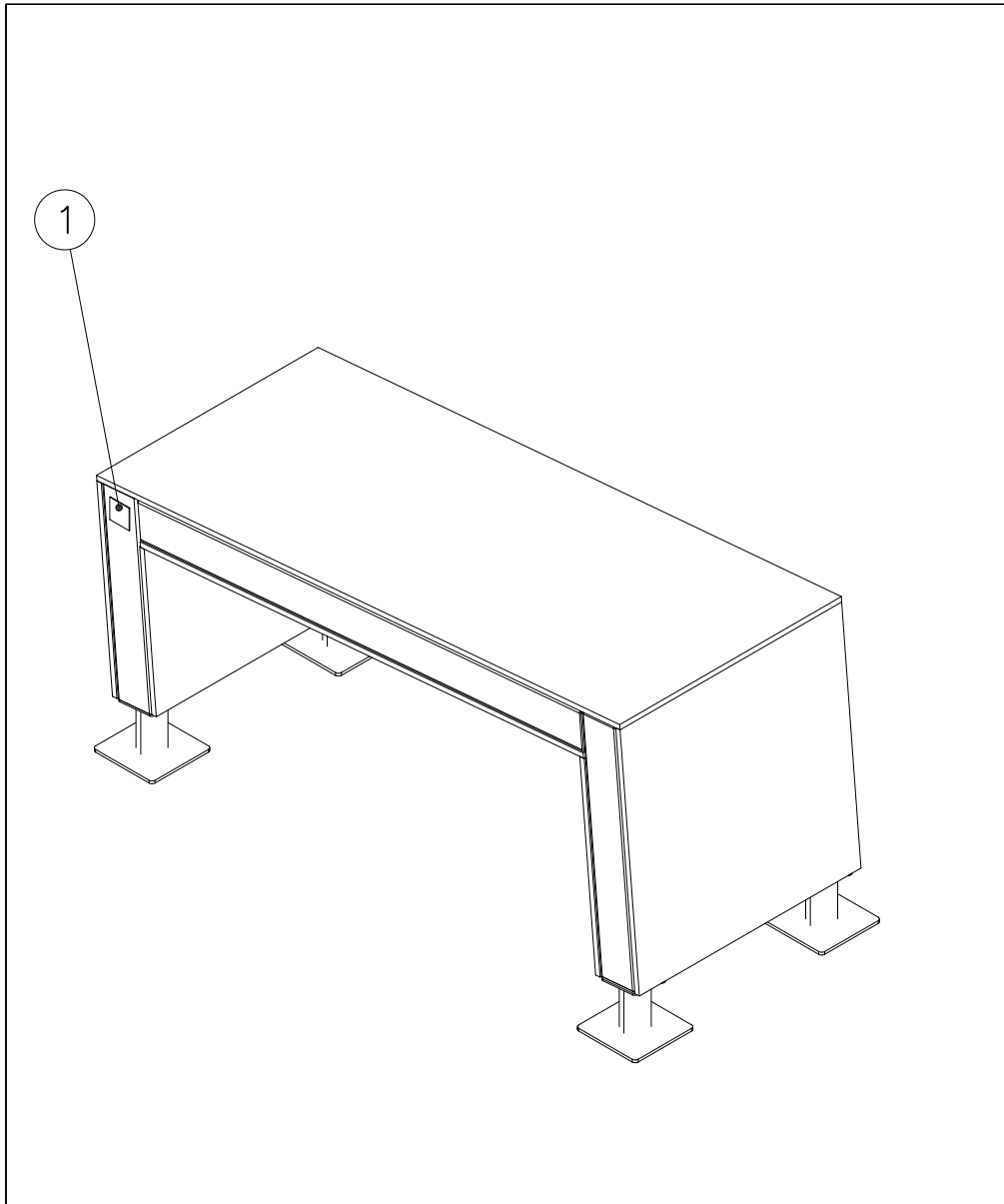



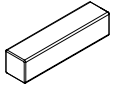

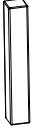

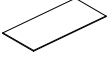
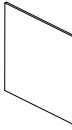

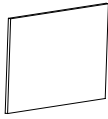
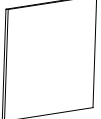
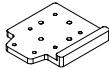

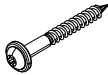

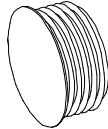
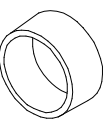


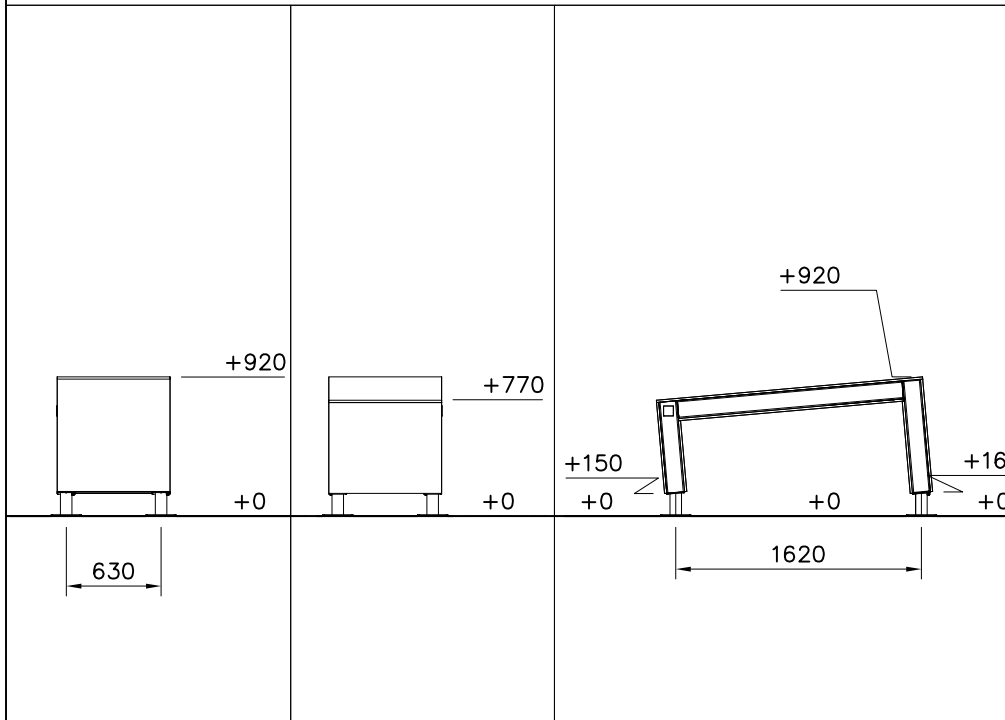


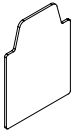
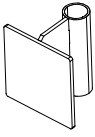









① 702286  65x65	PCS 1	② 707210  118x118x503	PCS 4
③ 707213  118x118x1490	PCS 2	④ 708127  118x118x603	PCS 2
⑤ 708137  118x118x745	PCS 2	⑥ 708721  15x745x1766	PCS 1
⑦ 708725  15x603x745	PCS 1	⑧ 708726  15x745x745	PCS 1
⑨ 708834  15x745x470	PCS 1	⑩ 708835  15x745x612	PCS 1
⑪ 708857 JIG  20x133x149	PCS 1	⑫ 709204  15x745x1495	PCS 1
⑬ 900240  Ø8x70	PCS 32	⑭ 903093  Ø8x90	PCS 8
⑮ 905103  PT-28/32-H	PCS 8	⑯ 905112  Ø22	PCS 8

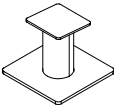
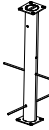


(17) 908698	PCS	(18) 910266	PCS	(19) 980114	PCS	(20) 980100	PCS	(21) 980123	PCS		PCS		PCS
	8		4		4		48		38				
3x114x108		90x108x118		Ø4x20		Ø5x60		Ø7x60					
	PCS		PCS		PCS								

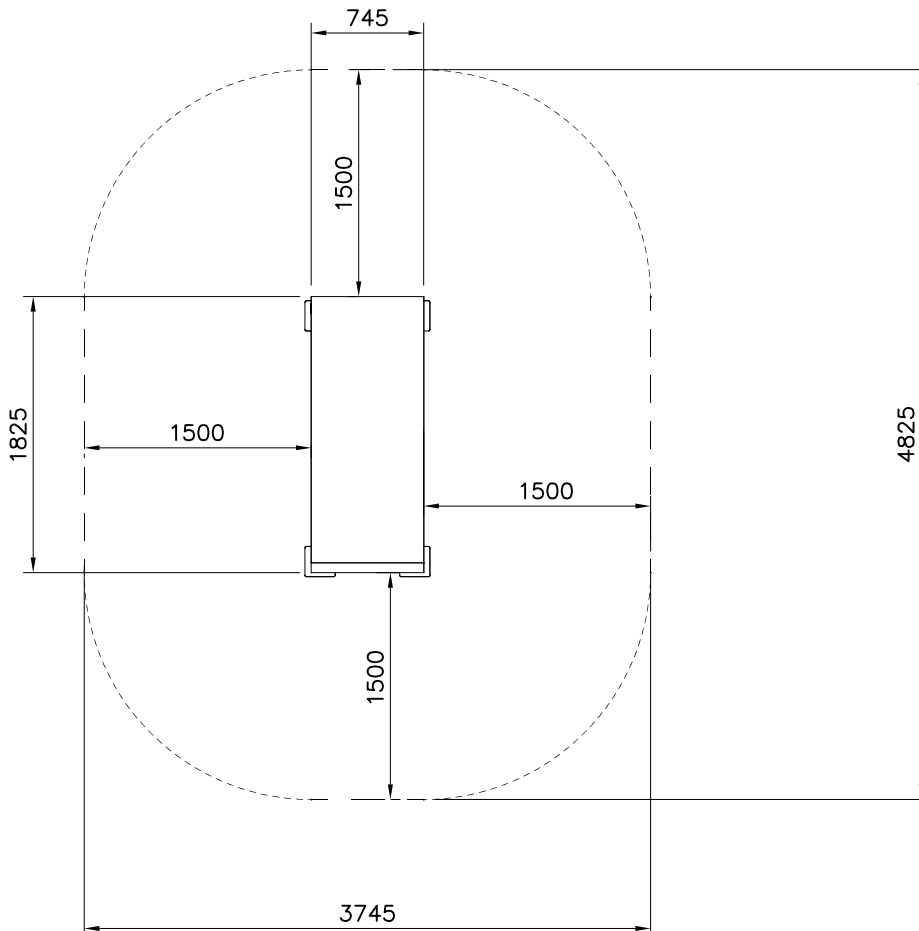
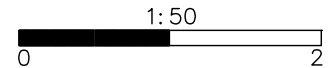
FOOT OPTIONS

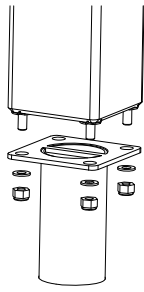
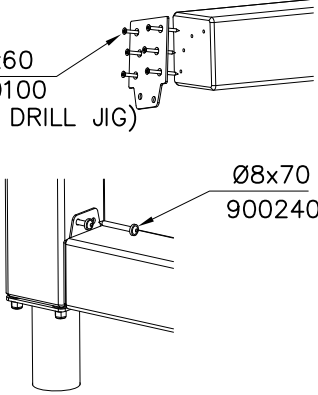
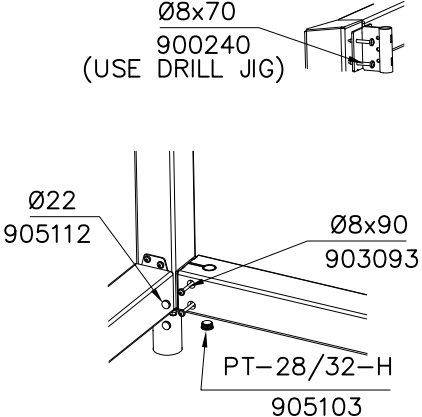
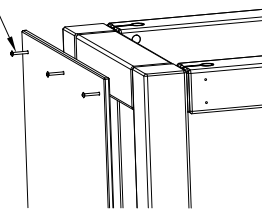
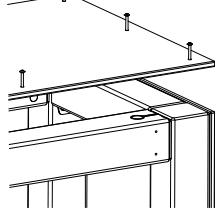
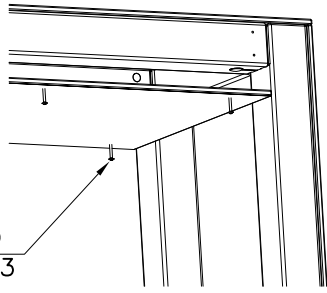
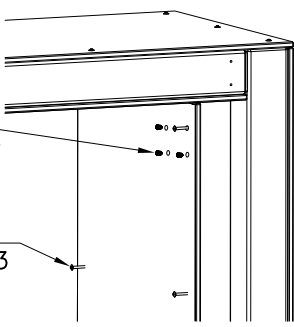
709261+

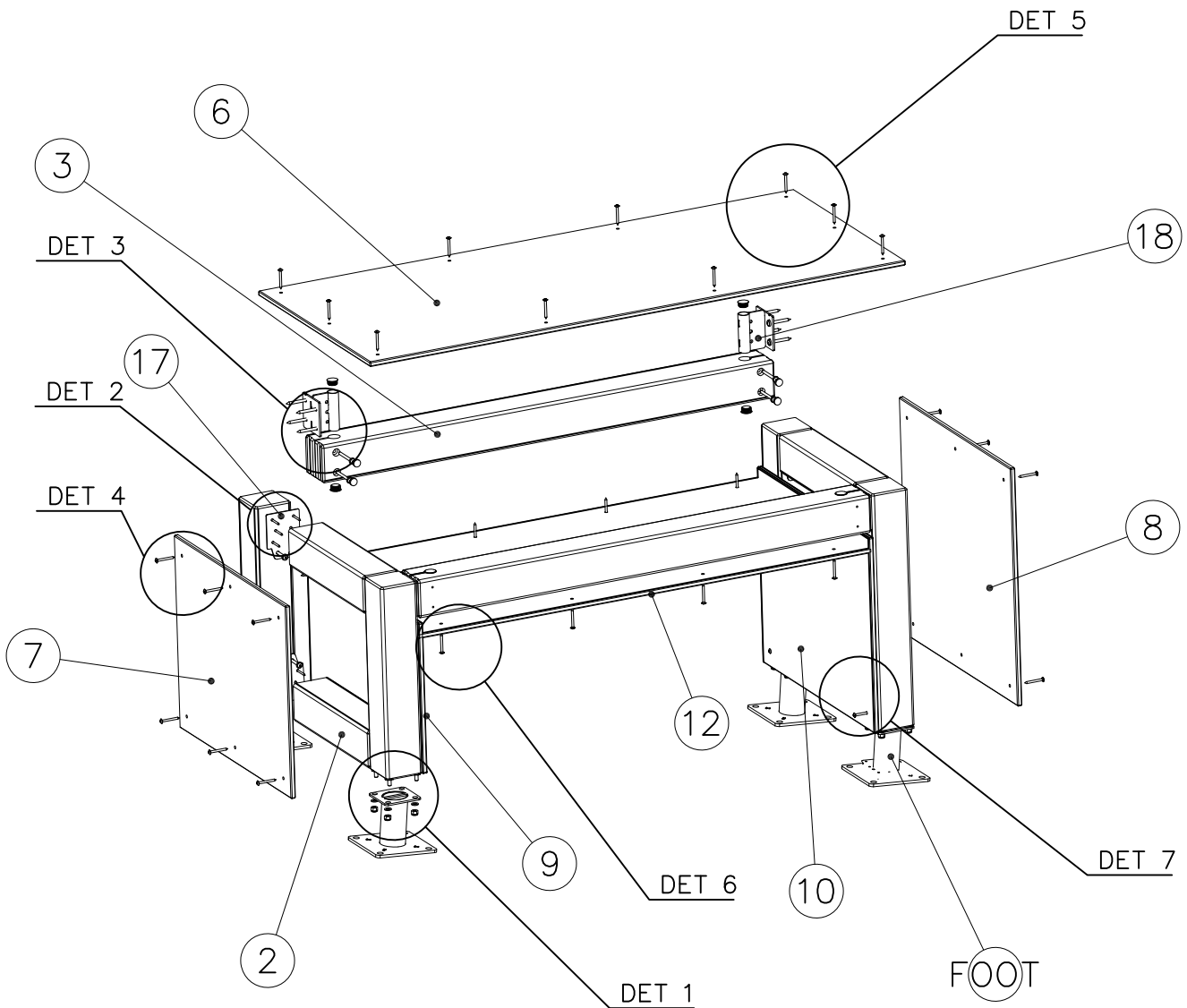
709262+

○ 910267	PCS	○ 910567	PCS
SURFACE	4	CONCRETE	4
			
152x200x200		117x117x715	

----- Falling Space 16.1 m<sup>2</sup>  
Max Falling Height 920 mm



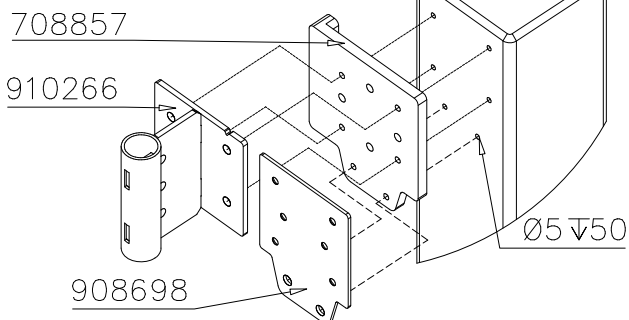
<p>DET 1</p> 	<p>DET 2</p>  <p>Ø5x60 980100 (USE DRILL JIG)</p> <p>Ø8x70 900240</p>	<p>DET 3</p>  <p>Ø8x70 900240 (USE DRILL JIG)</p> <p>Ø22 905112</p> <p>Ø8x90 903093</p> <p>PT-28/32-H 905103</p>
<p>DET 4</p>  <p>Ø7x60 980123</p>	<p>DET 5</p>  <p>Ø7x60 980123</p>	<p>DET 6</p>  <p>Ø7x60 980123</p>
<p>DET 7</p>  <p>SRL12 903533</p> <p>Ø7x60 980123</p>		

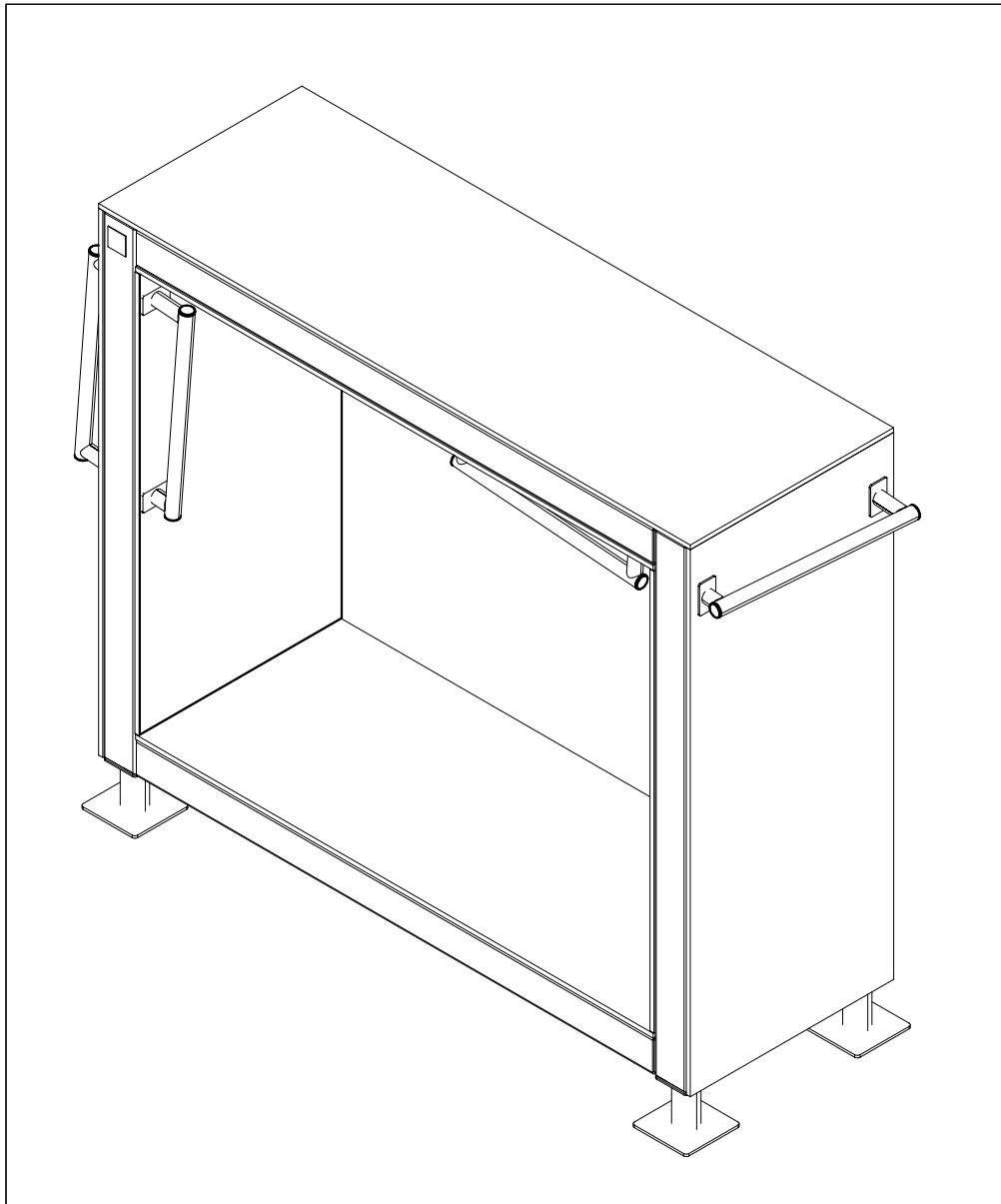


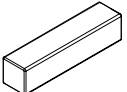
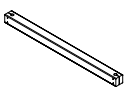


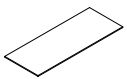
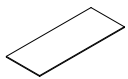
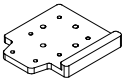
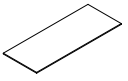
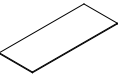






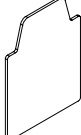
JIG DET A (USE DET 2-3)

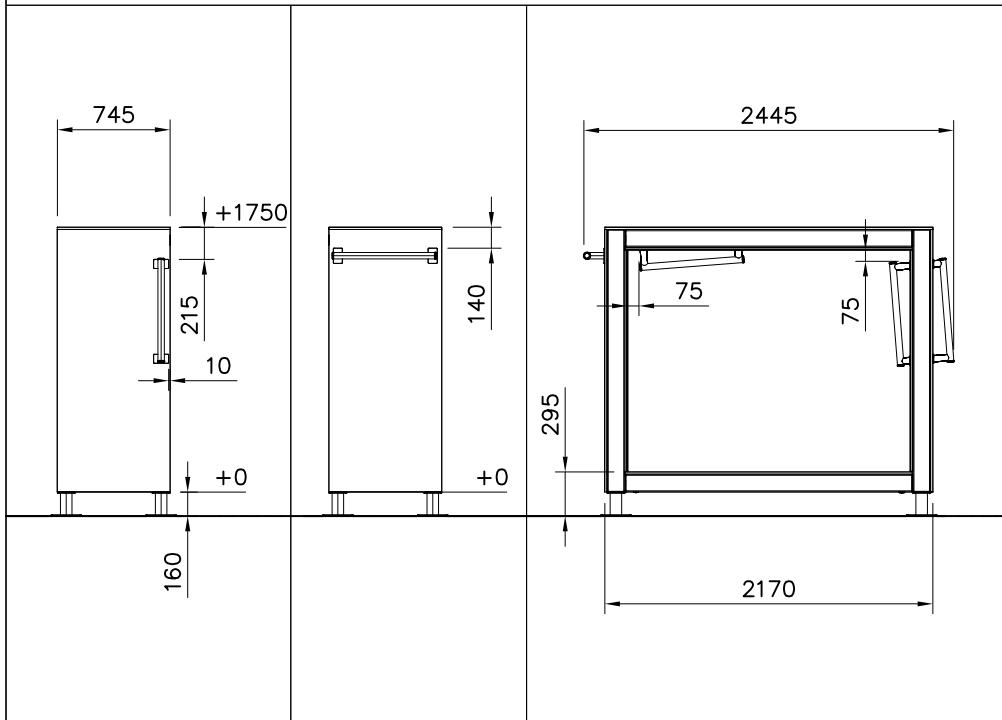
NOTE:

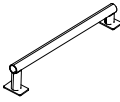
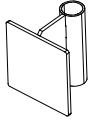


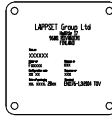
Use drill jig 708857 to predrill  $\text{Ø}5 \nabla 50$  holes for 910266 and 908698



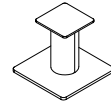



① 707210  118x118x503	PCS 4	② 707517  118x118x1892	PCS 4
③ 708346  118x118x1736	PCS 4	④ 708836  15x745x1736	PCS 2
⑤ 708837  15x745x2168	PCS 1	⑥ 708839  15x745x1897	PCS 1
⑦ 708857 JIG  20x133x149	PCS 1	⑧ 911288 COLOR  15x745x1465	PCS 2
⑨ 911289 COLOR  15x745x1897	PCS 1	⑩ 980114  Ø4x20	PCS 4
⑪ 900240  Ø8x70	PCS 64	⑫ 903093  Ø8x90	PCS 16
⑬ 905103  PT-28/32-H	PCS 8	⑭ 905112  Ø22	PCS 16
⑮ 908371  42-38/40	PCS 8	⑯ 908698  3x114x108	PCS 8

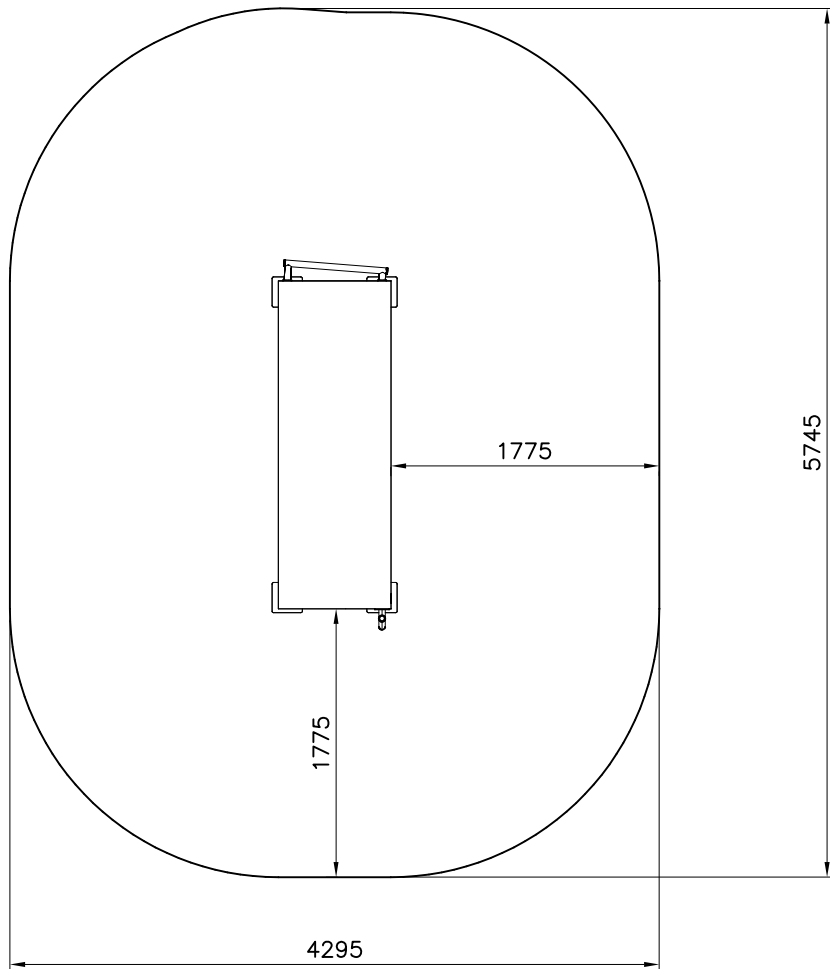
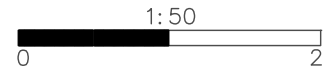


17	910056	PCS	18	910266	PCS	19	980100	PCS	20	980123	PCS	21	702286	PCS		PCS		PCS
		4			8			48			65			1				
	140x690			90x108x118			Ø5x60			Ø7x60			65x65					

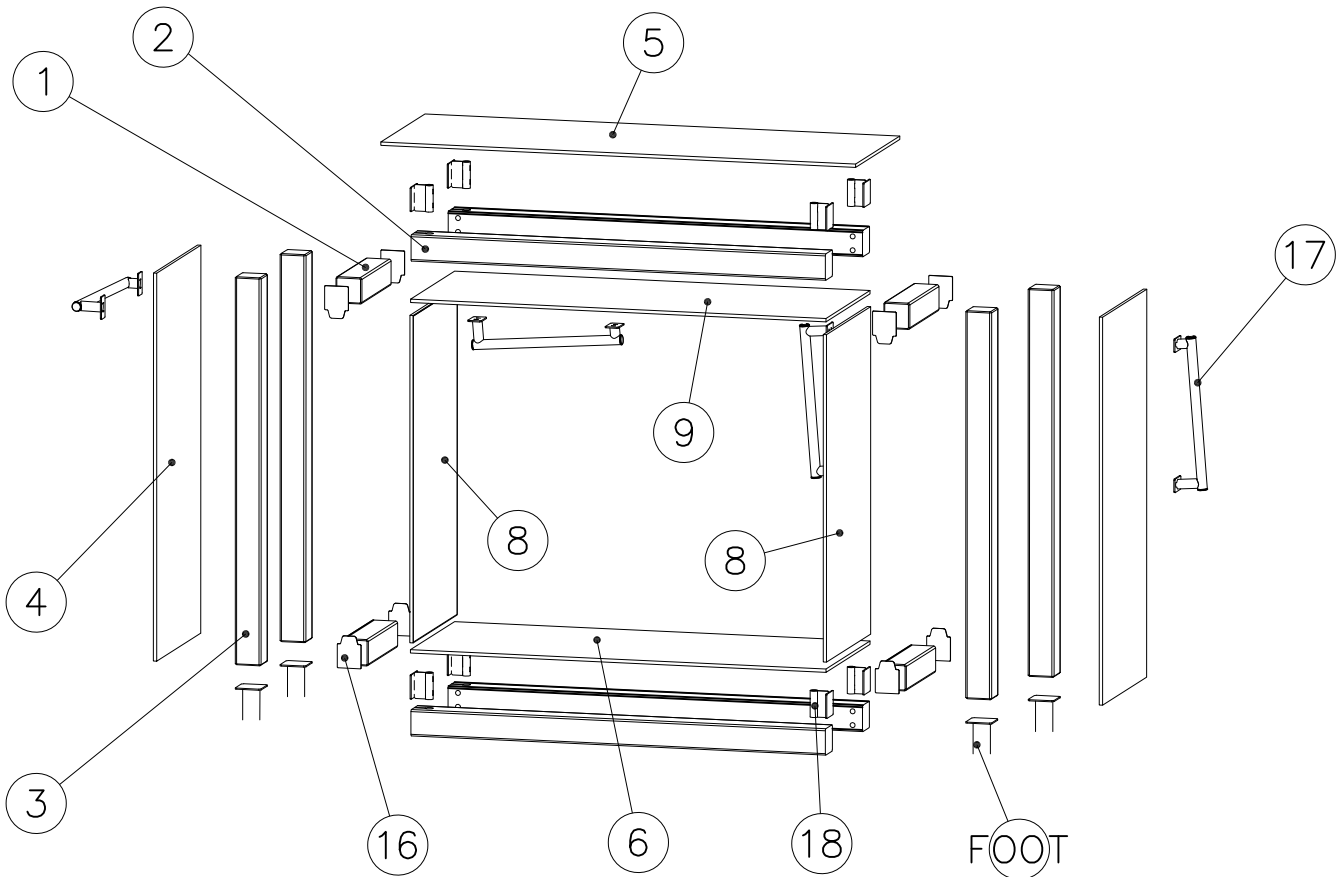
FOOT OPTIONS

709261+		709262+	
○ 910330	PCS	○ 910567	PCS
SURFACE	4	CONCRETE	4
			
152x200x200		117x117x715	

- EN Impact Attenuating Surface (IAS) 21.9 m2
- Falling Space 21.9 m2
- Max Falling Height 1910 mm

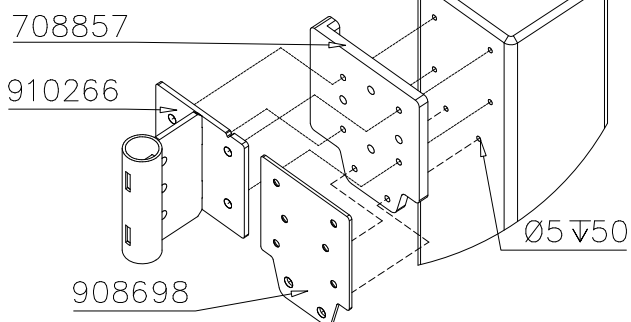


<p>DET 1</p>	<p>DET 2</p>	<p>DET 3</p>
<p>DET 4</p>	<p>DET 5</p>	<p>DET 6</p>
<p>DET 7</p>	<p>DET 8</p>	
<p>DET 9 DRILL PREHOLES BEFORE INSTALLING HANDLES</p>		

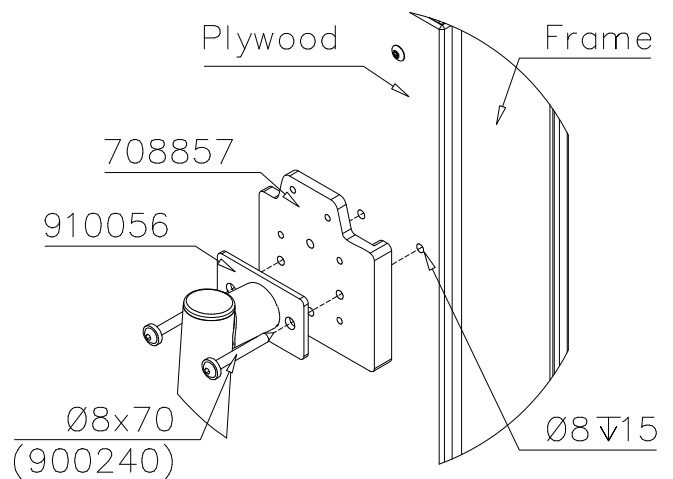


### JIG DET A (USE DET 2-3)

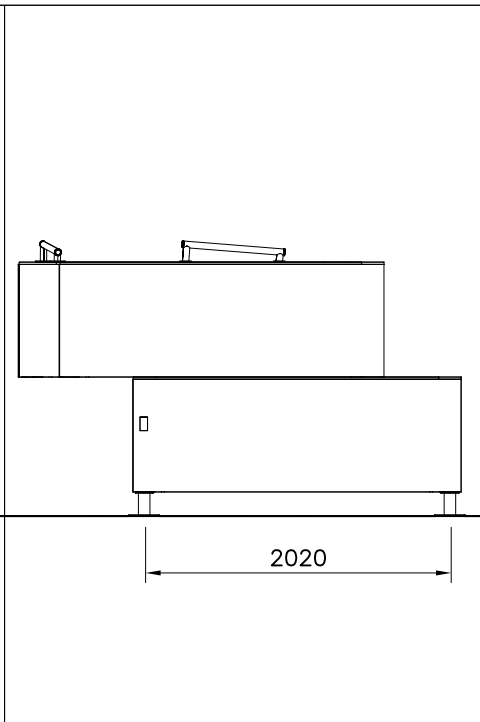
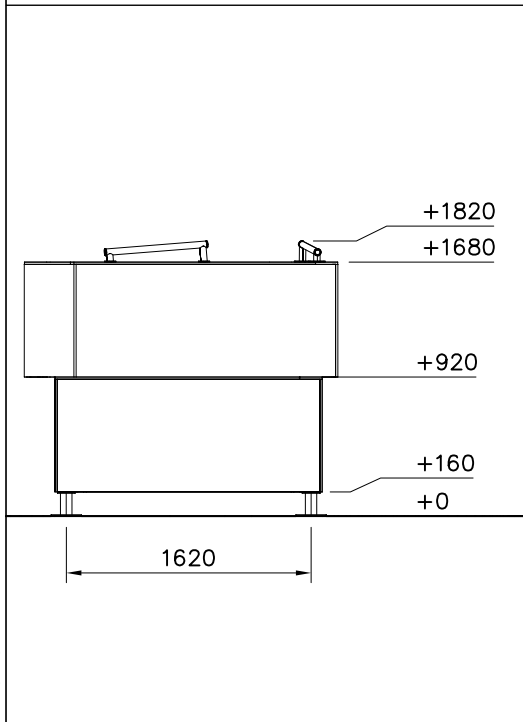
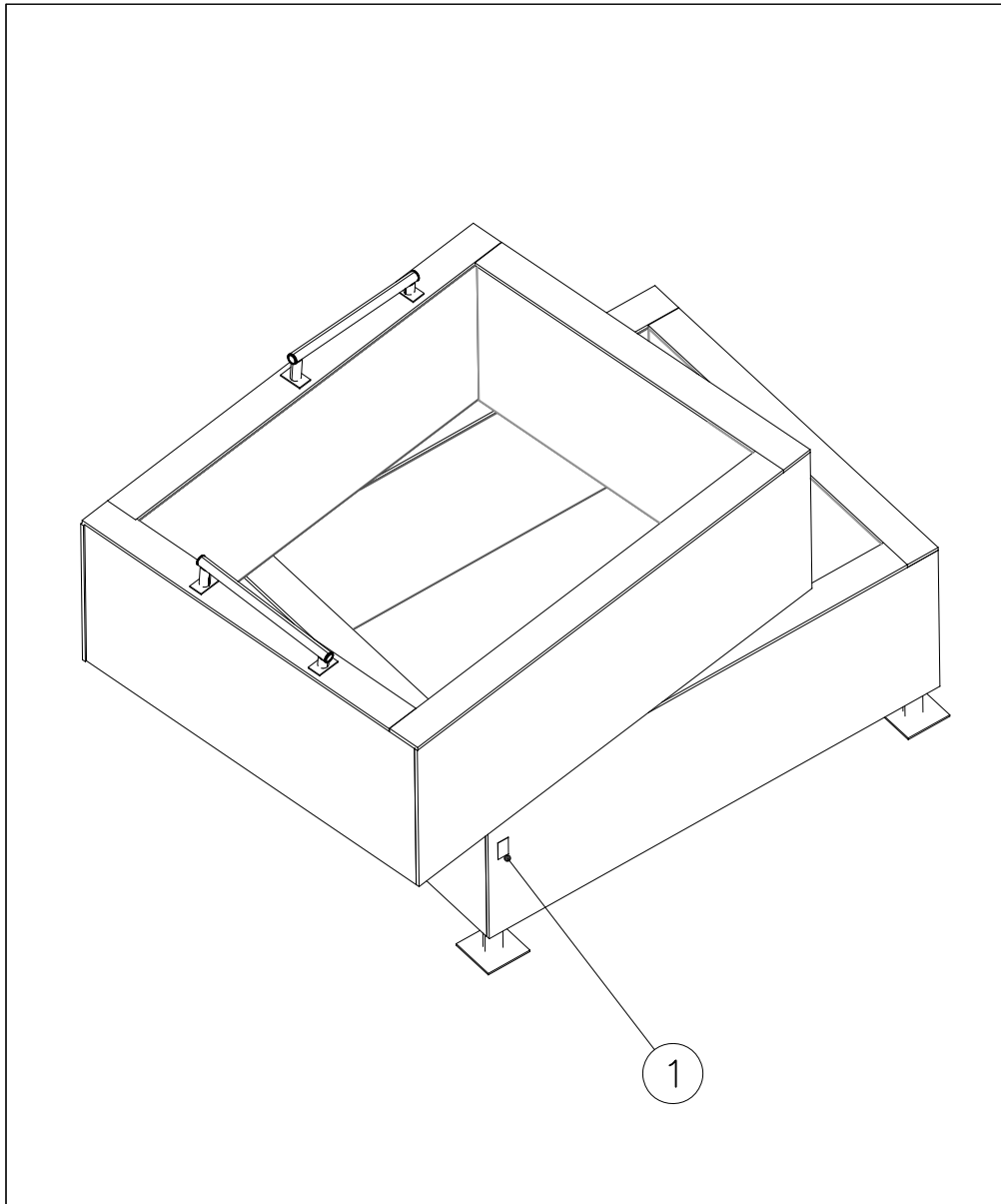
NOTE:  
Use drill jig 708857  
to predrill  $\text{Ø}5 \nabla 50$   
holes for 910266  
and 908698



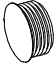

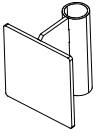





### JIG DET B (USE DET 9)



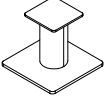





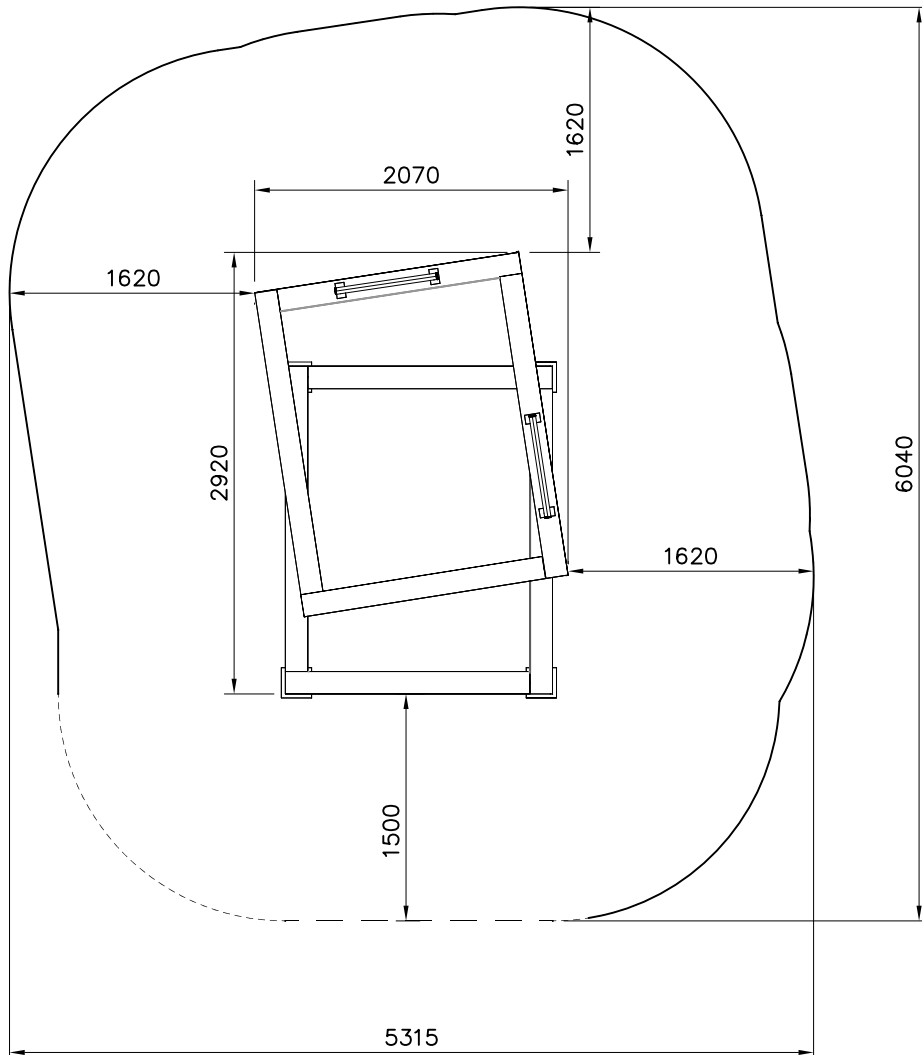
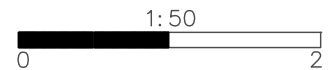
① 702341  90x50	PCS 1	② 707213  118x118x1490	PCS 8
③ 707517  118x118x1892	PCS 8	④ 708137  118x118x745	PCS 4
⑤ 708836  15x745x1736	PCS 4	⑥ 708837  15x745x2168	PCS 4
⑦ 708839  15x745x1897	PCS 2	⑧ 708840  15x148x2018	PCS 4
⑨ 708841  15x148x1616	PCS 4	⑩ 708857 JIG  20x133x149	PCS 1
⑪ 911288 COLOR  15x745x1465	PCS 4	⑫ 911289 COLOR  15x745x1897	PCS 2
⑬ 910056  140x690	PCS 2	⑭ 980123  Ø7x60	PCS 216
⑮ 900240  Ø8x70	PCS 128	⑯ 903093  Ø8x90	PCS 72

<p>⑰ 905103 PCS 24</p>  <p>PT-28/32-H</p>	<p>⑱ 905112 PCS 64</p>  <p>Ø22</p>	<p>⑲ 910266 PCS 32</p>  <p>90x108x118</p>	<p>⑳ 709110 PCS 4</p>  <p>118x118x745</p>	<p>㉑ 905086 PCS 8</p>  <p>Ø44/13.5 x 3.9</p>	<p>㉒ 908371 PCS 4</p>  <p>42-38/40</p>
<p>㉓ 909132 PCS 4</p>  <p>M12x280</p>	<p>㉔ 909248 PCS 4</p>  <p>M12</p>				

FOOT OPTIONS

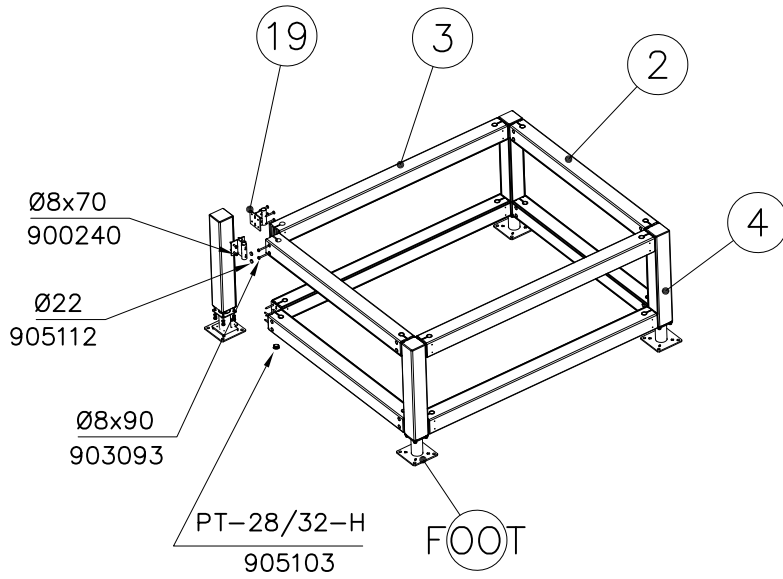
709261+		709262+	
<p>○ 910330 PCS 4</p> <p>SURFACE</p>  <p>152x200x200</p>	<p>○ 910567 PCS 4</p> <p>CONCRETE</p>  <p>117x117x715</p>		

- EN Impact Attenuating Surface (IAS) 27.3 m<sup>2</sup>
- - - - Falling Space 27.3 m<sup>2</sup>
- Max Falling Height 1820 mm

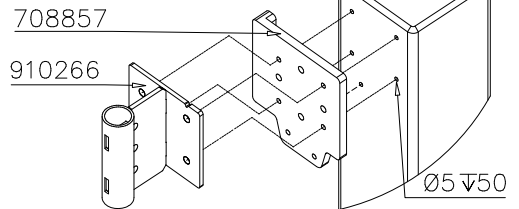


DET 1

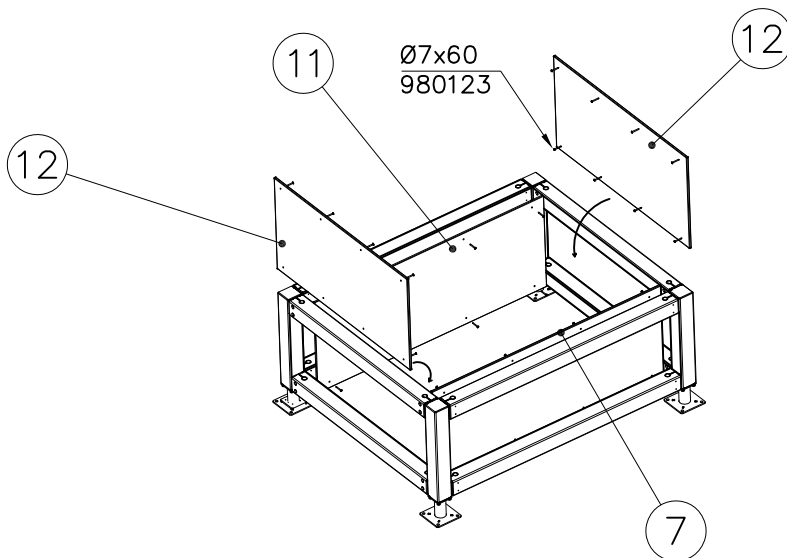
## FIRST FLOOR



NOTE:  
Use drill jig 708857  
to predrill  $\text{Ø}5\sqrt{50}$   
holes for 910266

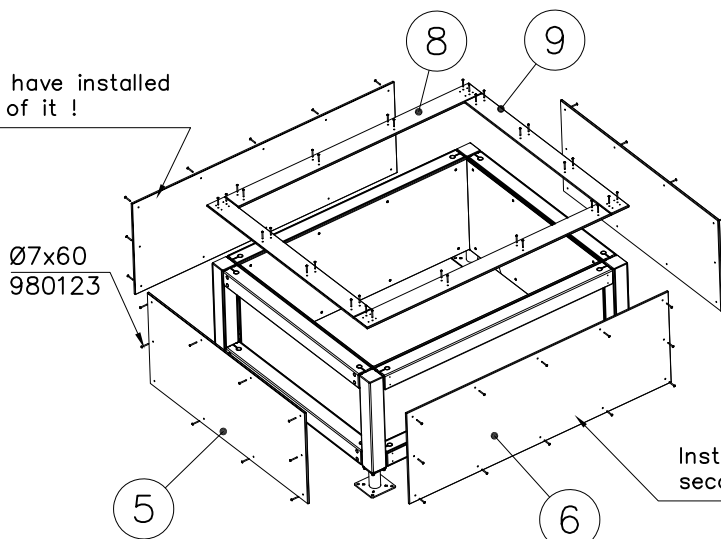


DET 2



DET 3

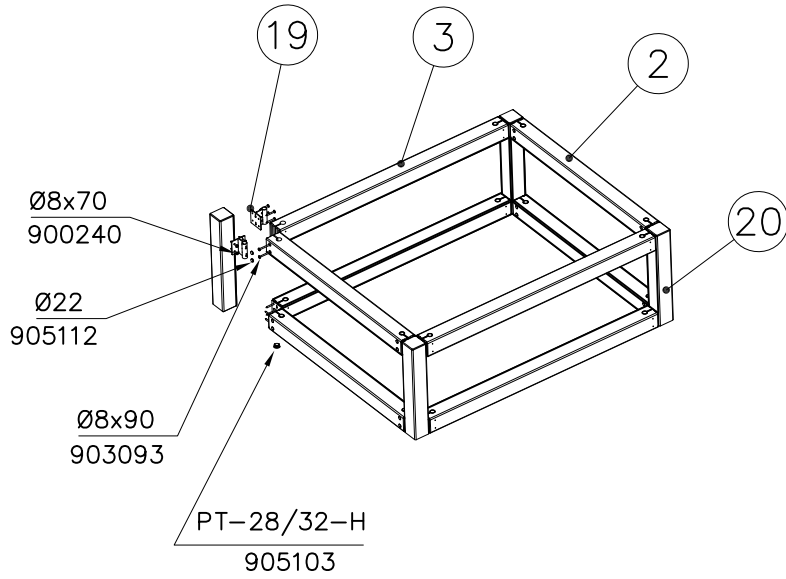
Install this once you have installed  
second floor on top of it !



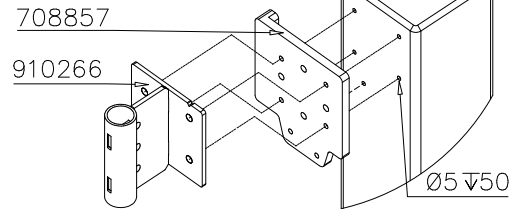
Install this once you have installed  
second floor on top of it !

DET 4

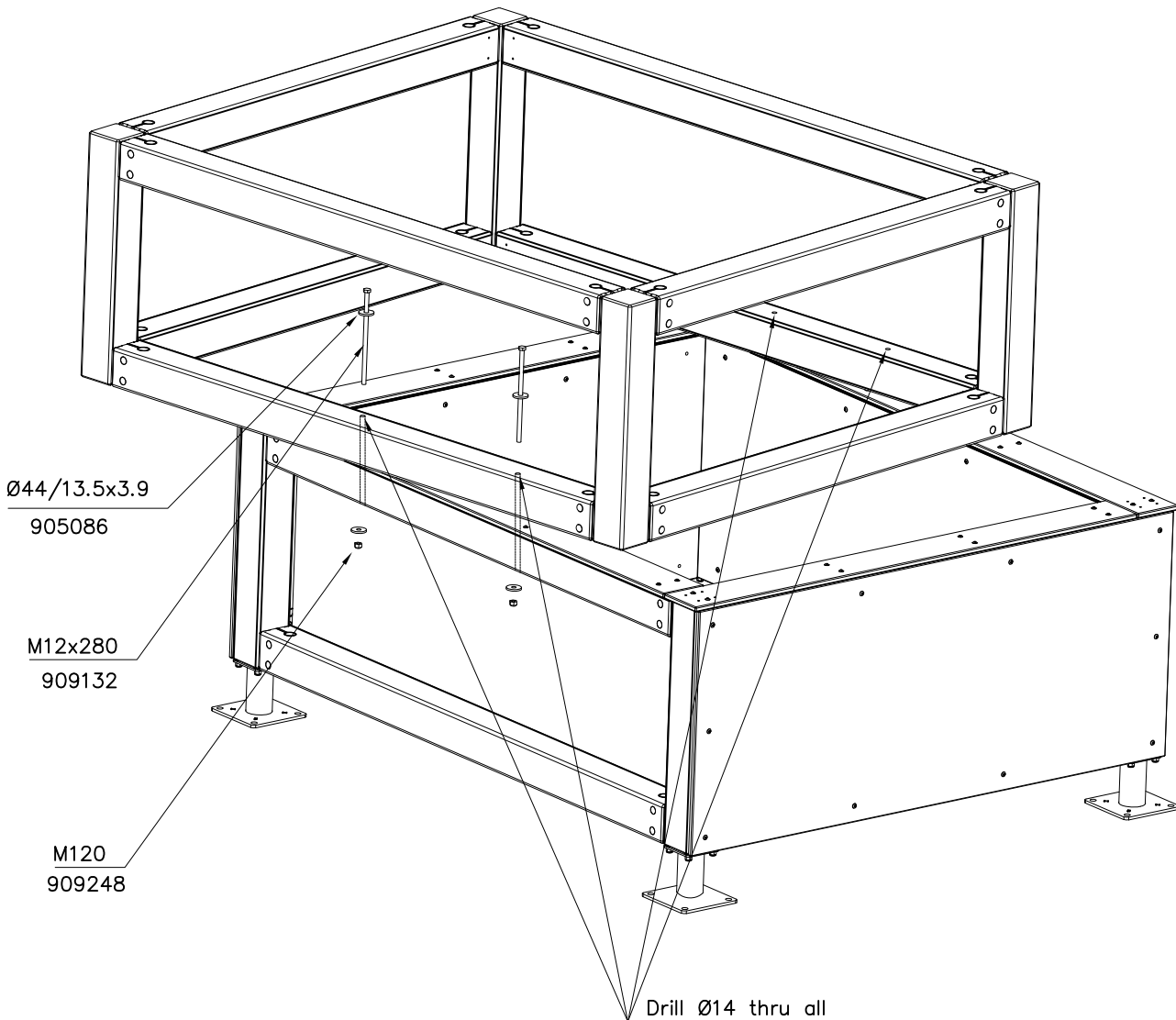
## SECOND FLOOR



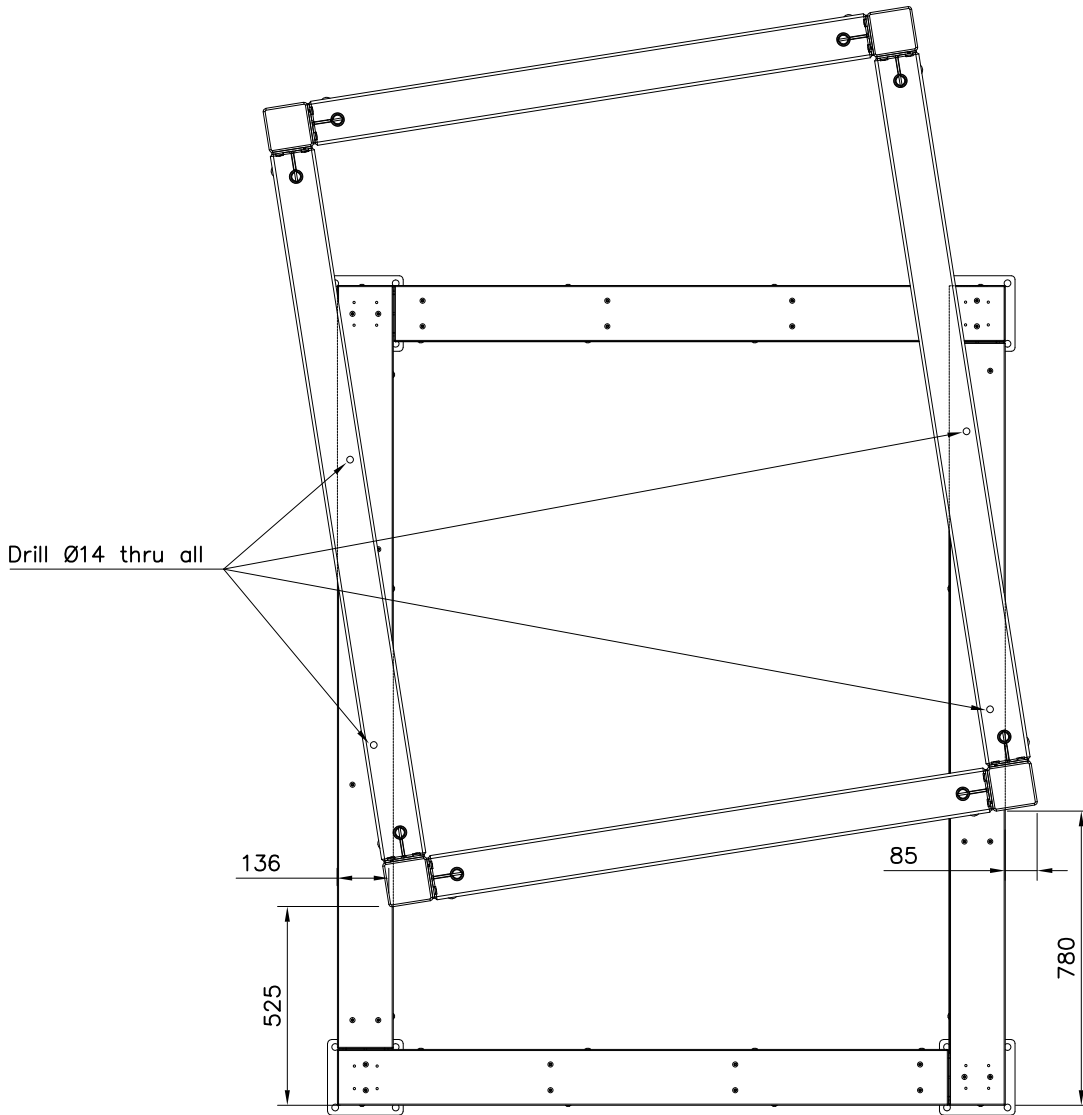
NOTE:  
Use drill jig 708857  
to predrill  $\text{Ø}5\sqrt{50}$   
holes for 910266



DET 5

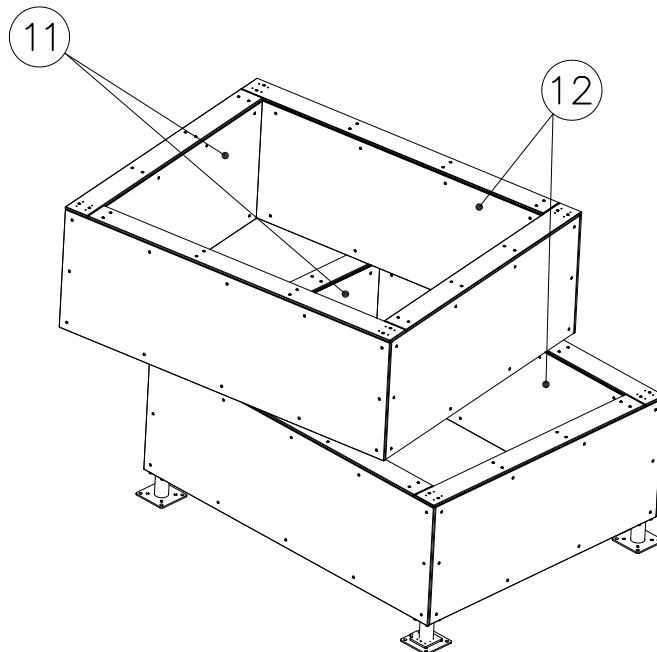


DET 6

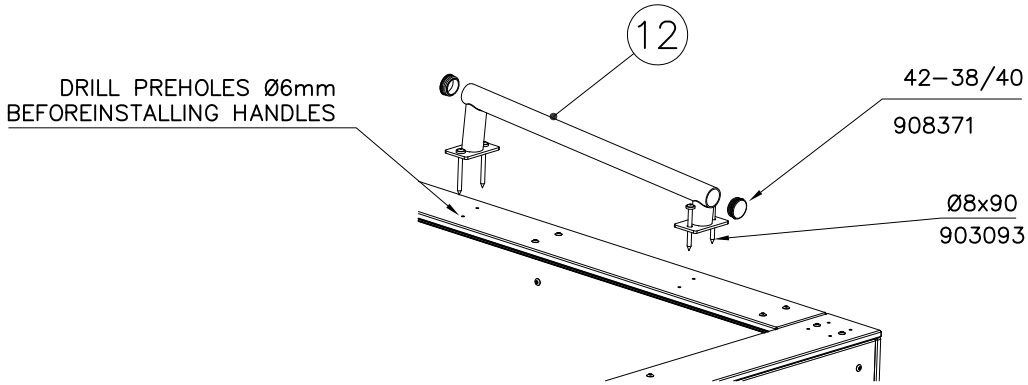


DET 7

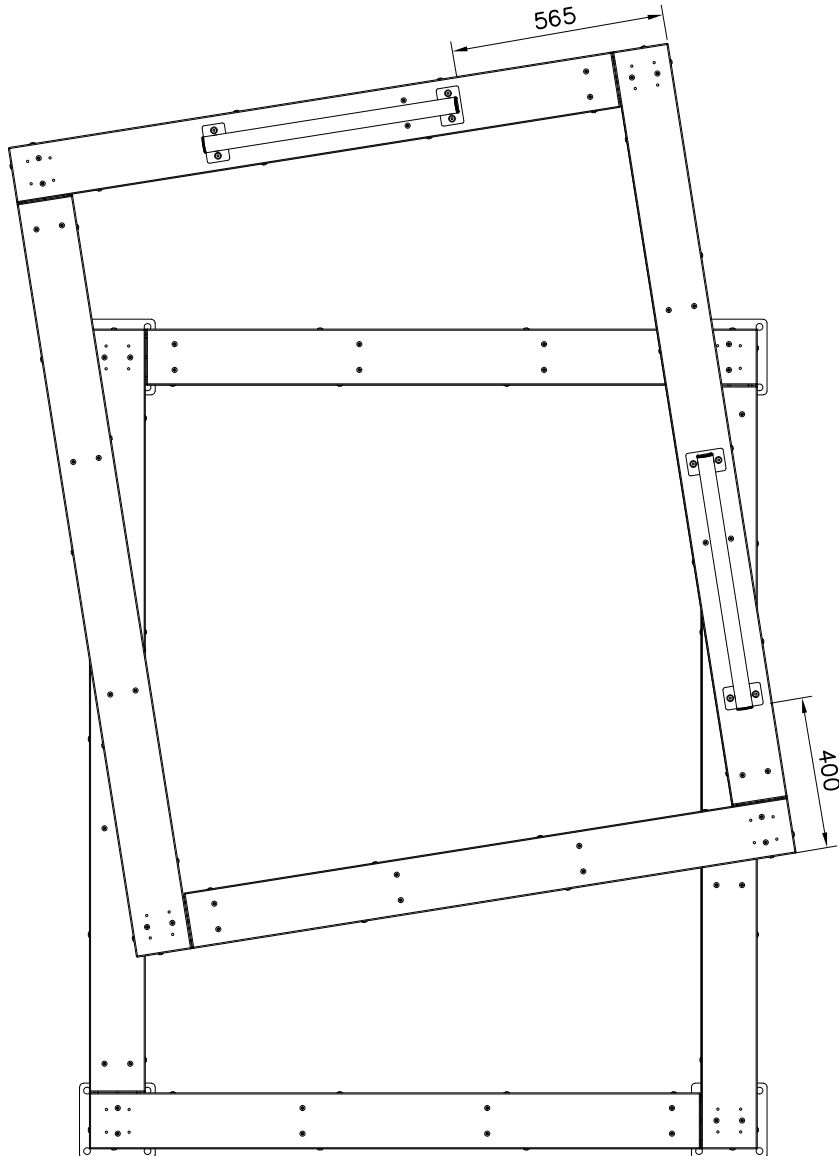
Install all plates

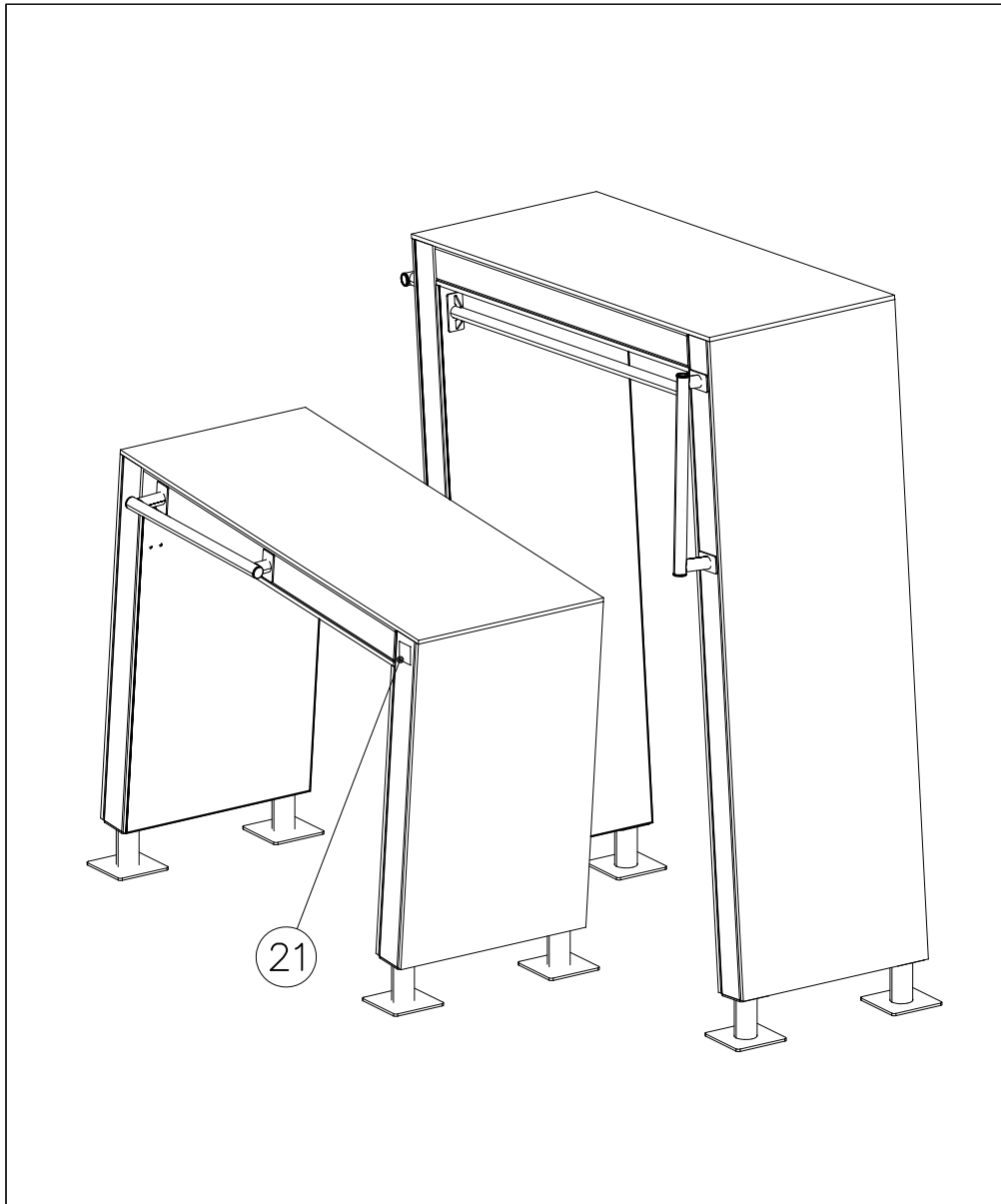


DET 8

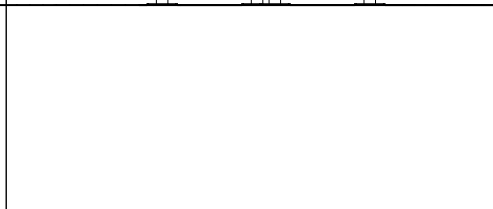
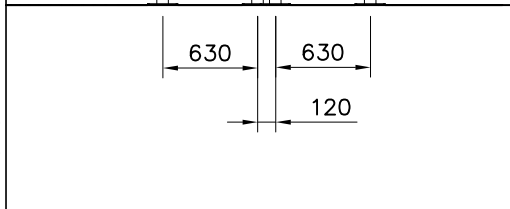
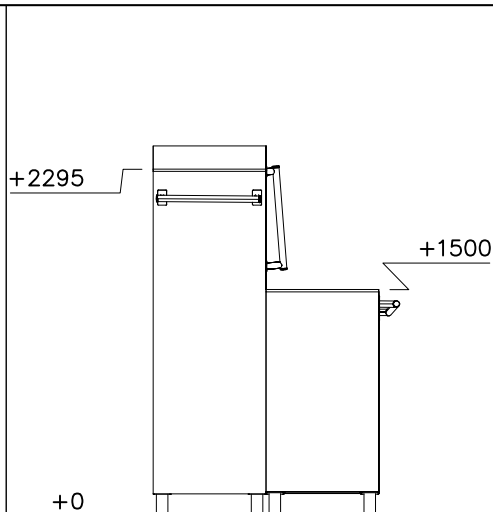
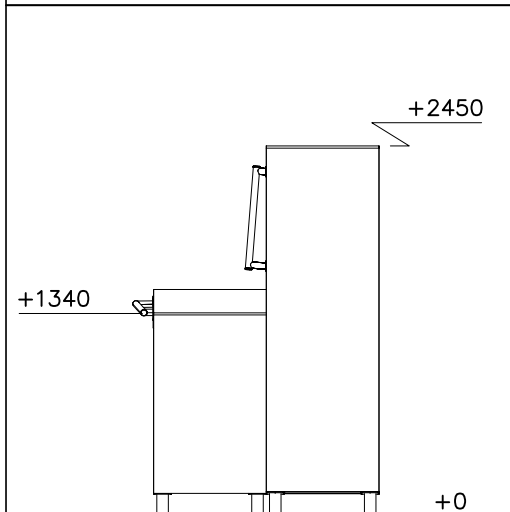



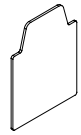
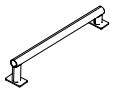
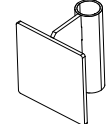
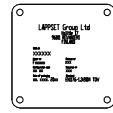



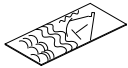
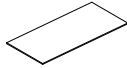




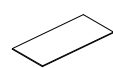




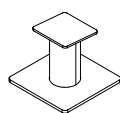

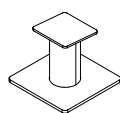

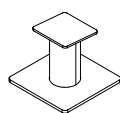

DET 9

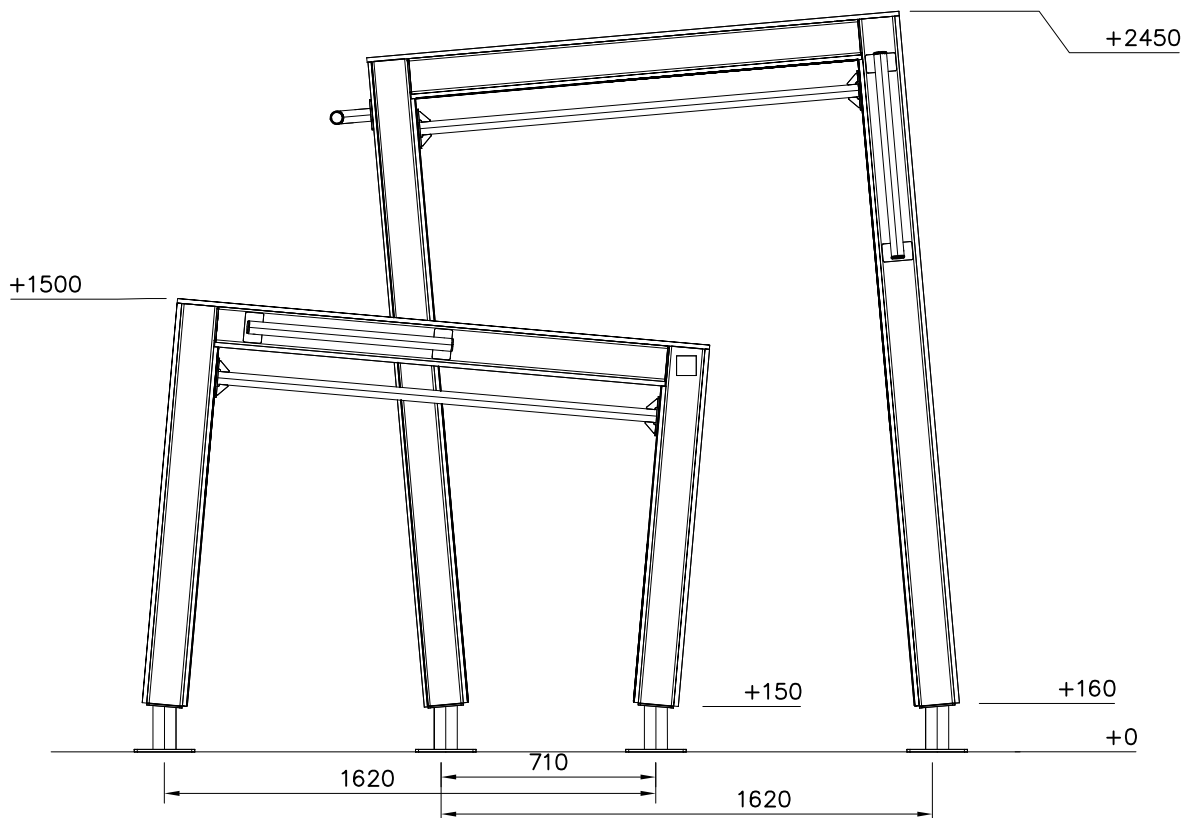




① 707210  118x118x503	PCS 8	② 707213  118x118x1490	PCS 4
③ 708042  118x118x1185	PCS 2	④ 708125  118x118x1326	PCS 2
⑤ 708522  118x118x2139	PCS 2	⑥ 708688  118x118x2279	PCS 2
⑦ 708721  15x745x1766	PCS 2	⑧ 708722  15x745x2280	PCS 1
⑨ 708723  15x745x1185	PCS 1	⑩ 708724  15x745x1326	PCS 1
⑪ 708857 JIG  20x133x149	PCS 1	⑫ 900240  Ø8x70	PCS 100
⑬ 903093  Ø8x90	PCS 16	⑭ 903533  SRL12	PCS 6
⑮ 905103  PT-28/32-H	PCS 16	⑯ 905112  Ø22	PCS 16

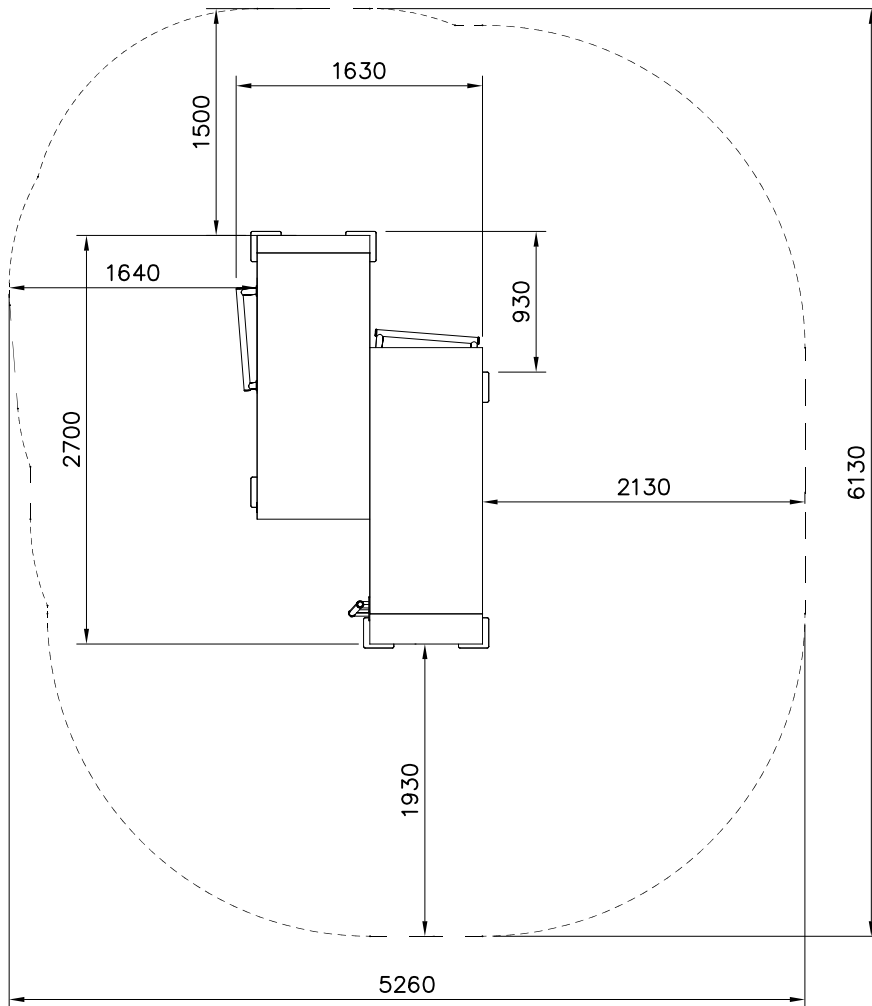
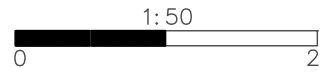


<p>17 908371 PCS 6</p>  <p>42-38/40</p>	<p>18 908698 PCS 16</p>  <p>3x114x108</p>	<p>19 910056 PCS 3</p>  <p>140x690</p>	<p>20 910266 PCS 8</p>  <p>90x108x118</p>	<p>21 702286 PCS 1</p>  <p>65x65</p>	<p>22 910328 PCS 3</p>  <p>L 1466</p>		
<p>23 980100 PCS 96</p>  <p>Ø5x60</p>	<p>24 980123 PCS 106</p>  <p>Ø7x60</p>	<p>25 911297 MURAL PCS 1</p>  <p>12x745x2140</p>	<p>26 911293 COLOR PCS 1</p>  <p>15x745x2145</p>	<p>27 911295 COLOR PCS 1</p>  <p>15x745x2004</p>	<p>28 911301 COLOR PCS 1</p>  <p>15x745x1495</p>		
<p>29 911103 COLOR PCS 1</p>  <p>15x745x1495</p>	<p>30 911305 COLOR PCS 1</p>  <p>15x745x1192</p>	<p>31 911307 COLOR PCS 1</p>  <p>15x745x1050</p>	<p>32 905086 PCS 2</p>  <p>Ø44/13.5x3.9</p>	<p>33 909132 PCS 1</p>  <p>M12x280</p>	<p>34 909248 PCS 1</p>  <p>M12</p>		
<p>35 980114 PCS 4</p>  <p>Ø4x20</p>	<p>FOOT OPTIONS</p> <p>709261+      709262+</p> <table border="1"> <tbody> <tr> <td> <p>910267 SURFACE PCS 8</p>  <p>152x200x200</p> </td> <td> <p>910567 CONCRETE PCS 8</p>  <p>117x117x715</p> </td> </tr> </tbody> </table>					<p>910267 SURFACE PCS 8</p>  <p>152x200x200</p>	<p>910567 CONCRETE PCS 8</p>  <p>117x117x715</p>
<p>910267 SURFACE PCS 8</p>  <p>152x200x200</p>	<p>910567 CONCRETE PCS 8</p>  <p>117x117x715</p>						

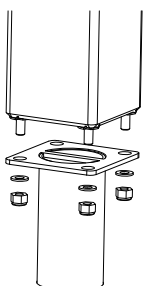




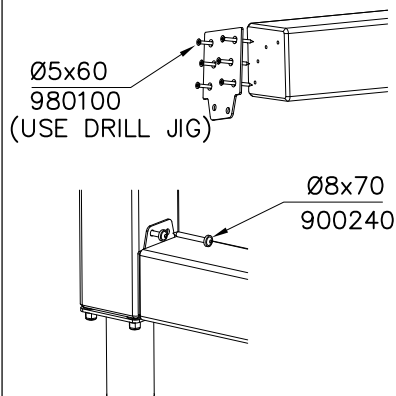
- EN Impact Attenuating Surface (IAS) 27.6 m<sup>2</sup>
- - - - Falling Space 27.6 m<sup>2</sup>
- Max Falling Height 2450 mm



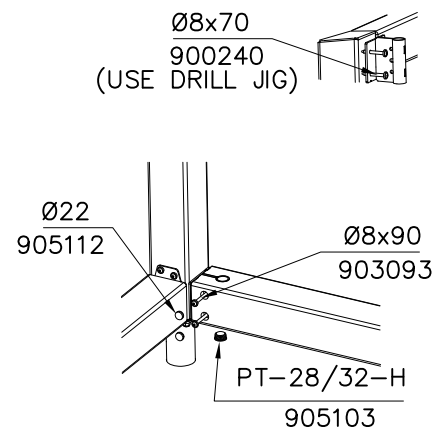
DET 1



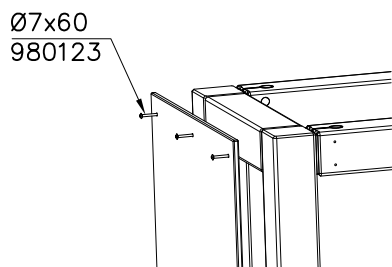
DET 2



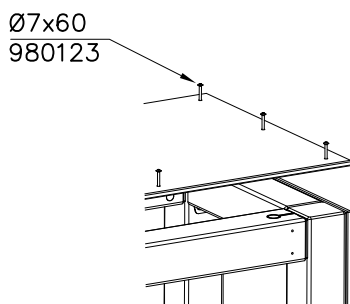
DET 3



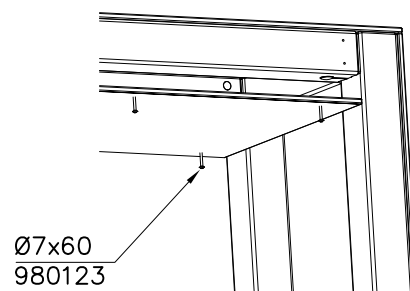
DET 4



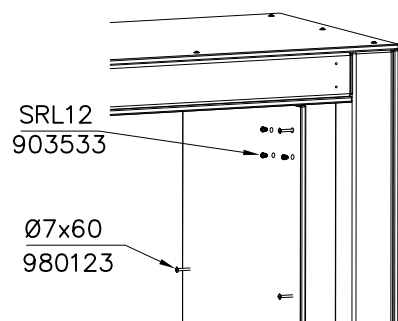
DET 5



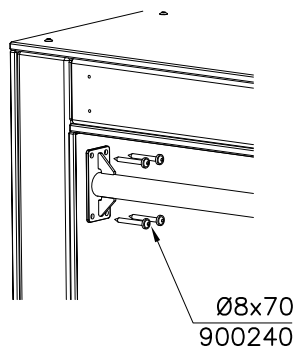
DET 6



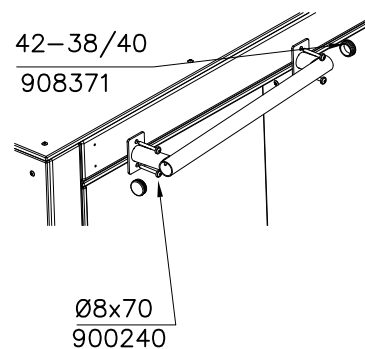
DET 7



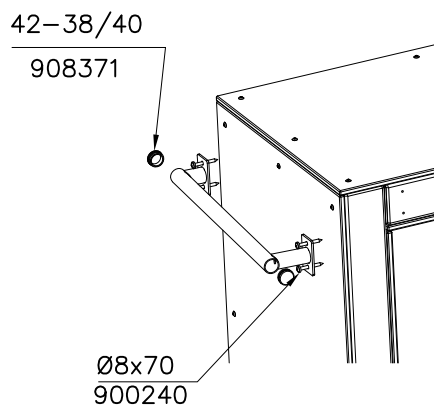
DET 8



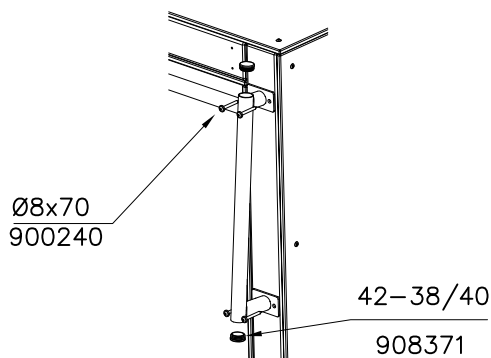
DET 9 DRILL PREHOLES  
Ø6mm BEFORE  
INSTALLING HANDLES

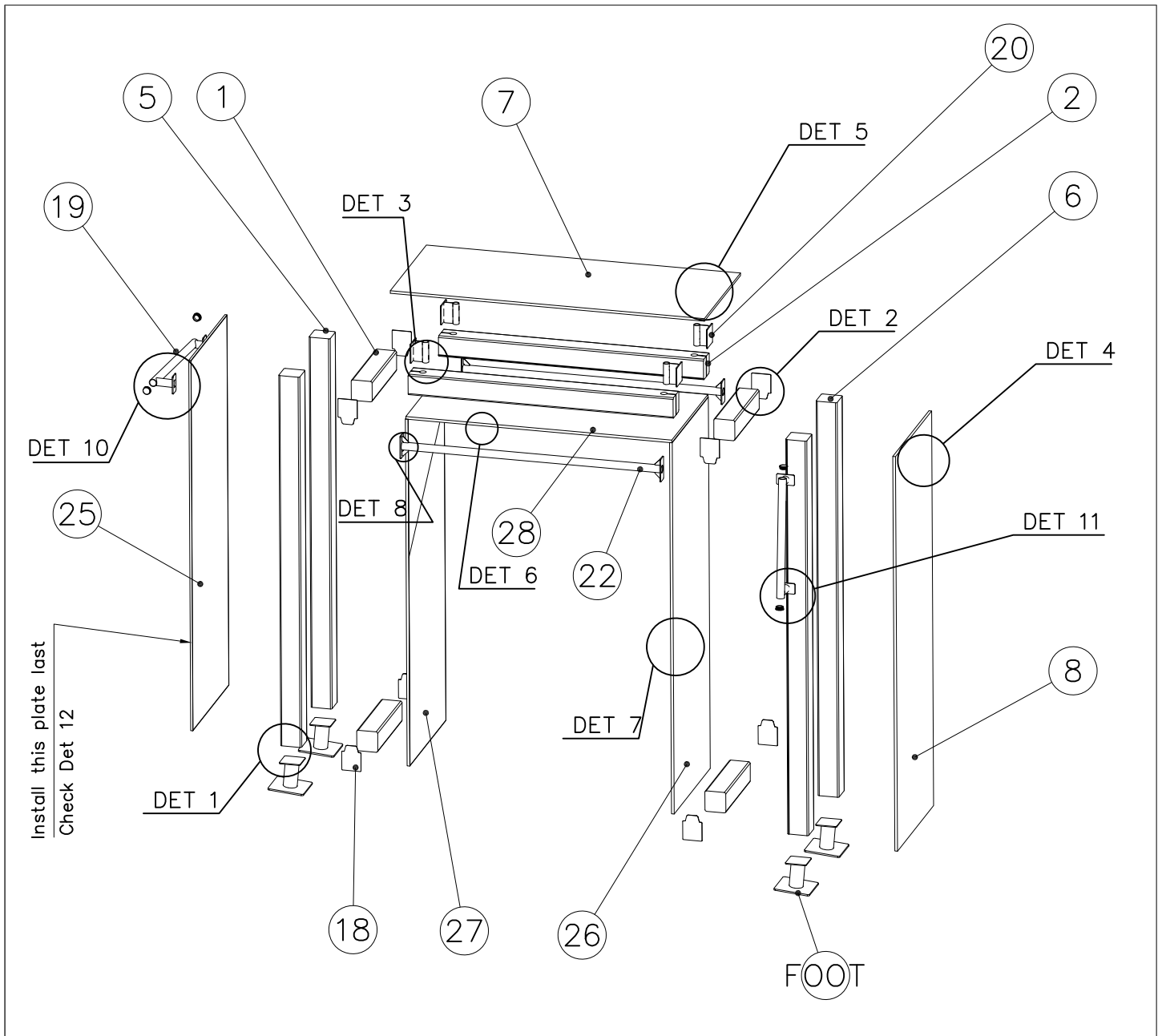


DET 10



DET 11 DRILL PREHOLES BEFORE INSTALLING HANDLES





### JIG DET A (USE DET 2-3)

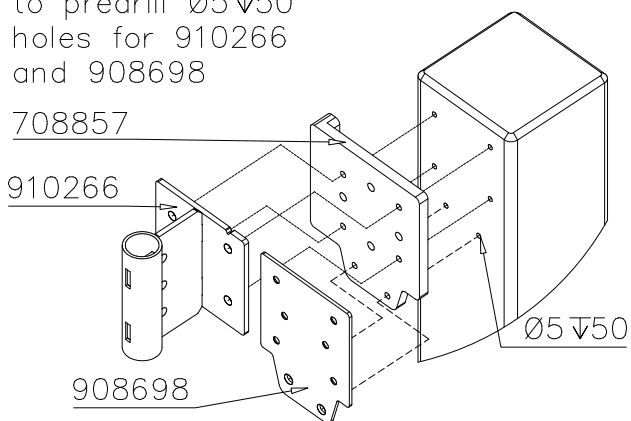
**NOTE:**

Use drill jig 708857 to predrill  $\text{Ø}5 \nabla 50$  holes for 910266 and 908698

708857

910266

908698



### JIG DET B (USE DET 11)

Plywood

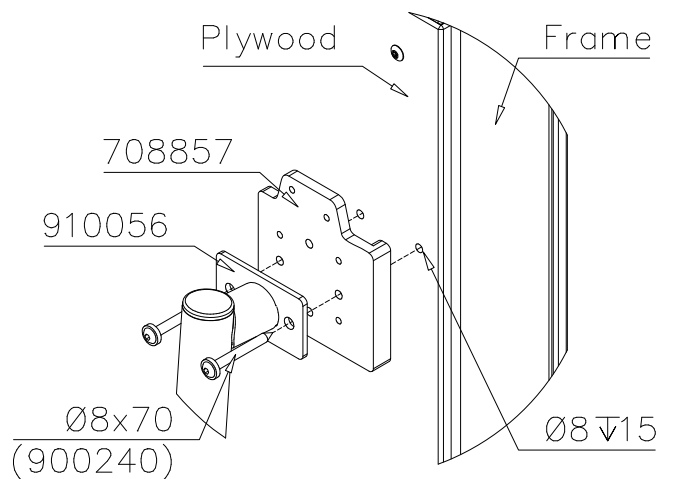
Frame

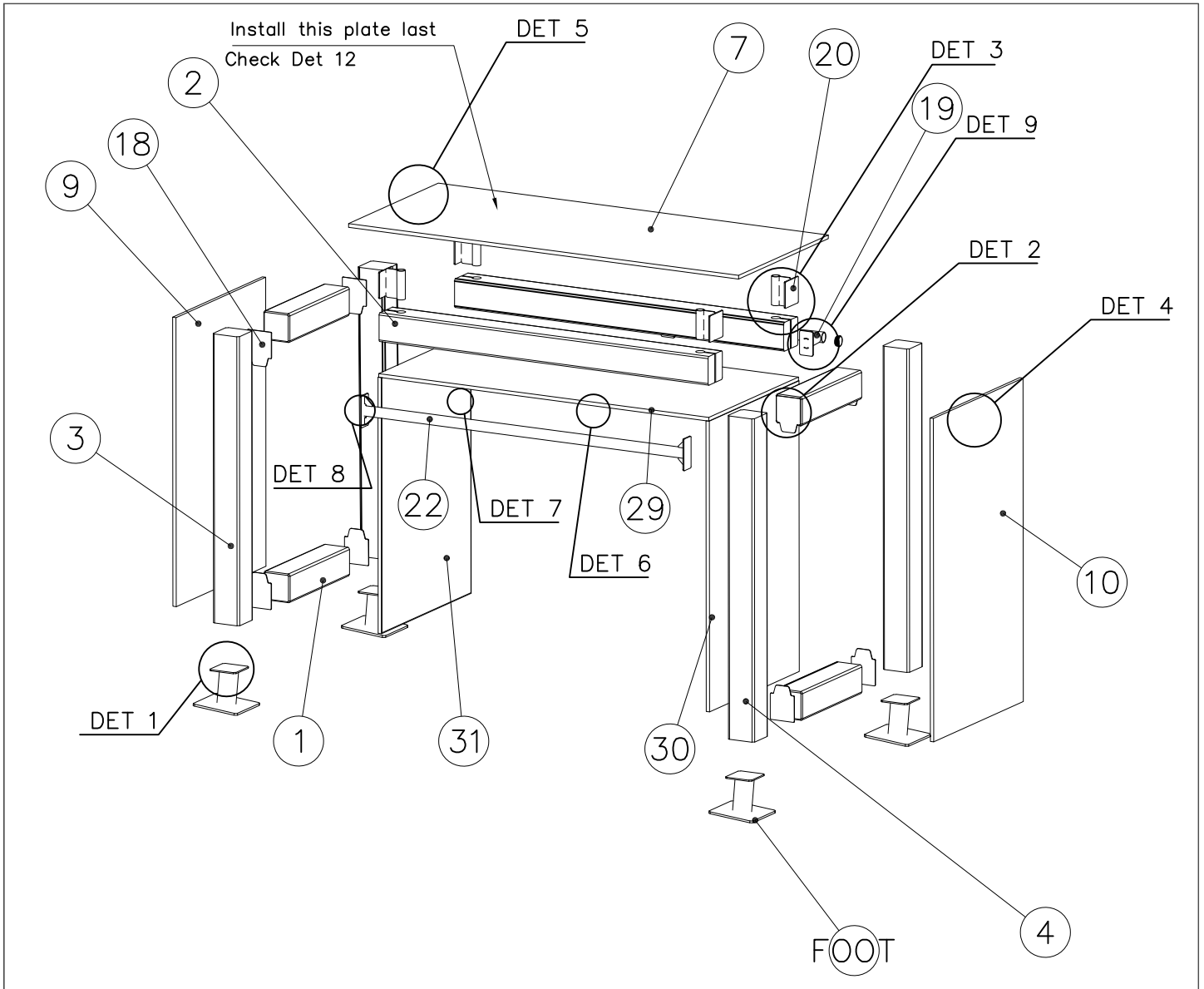
708857

910056

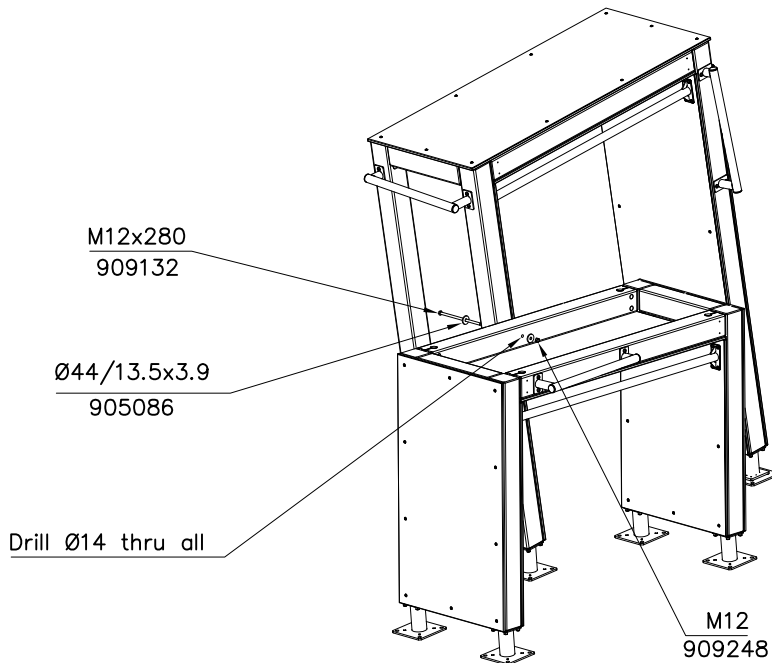
$\text{Ø}8 \times 70$   
(900240)

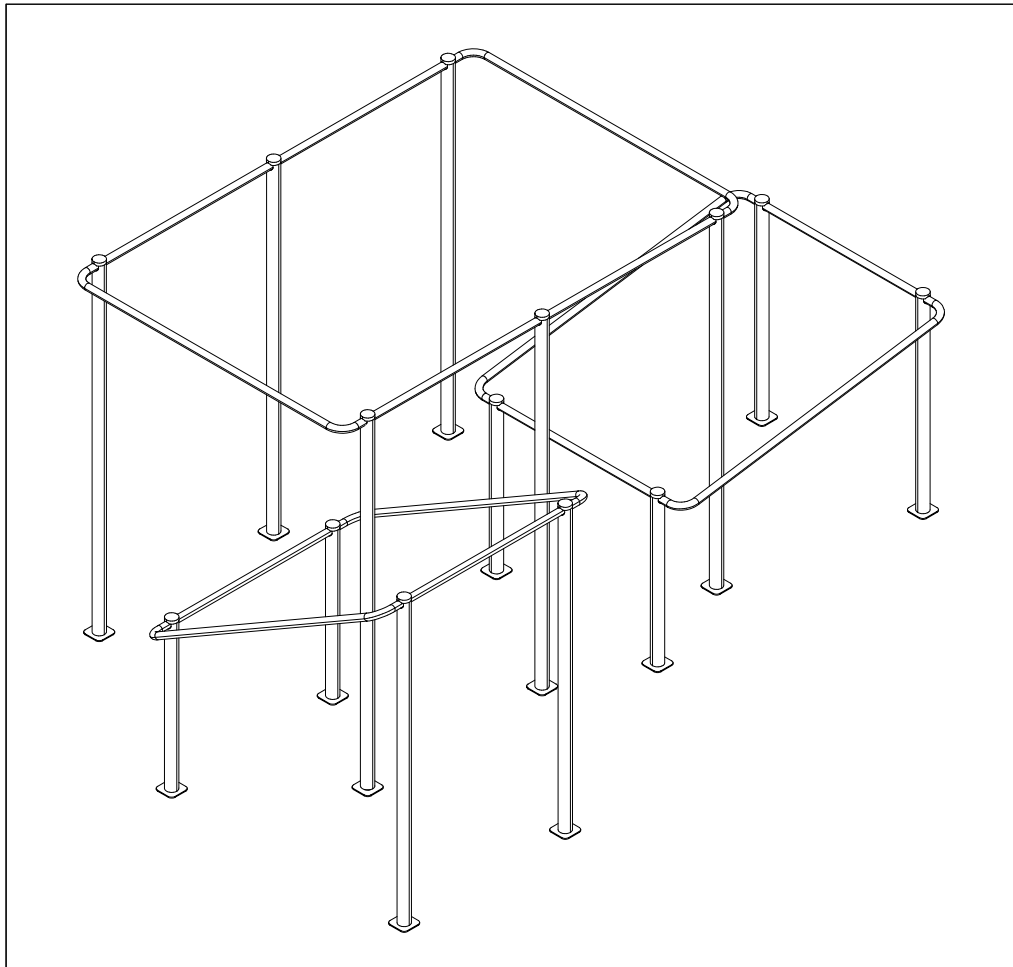
$\text{Ø}8 \nabla 15$

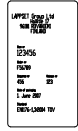



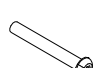


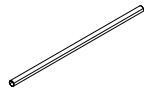


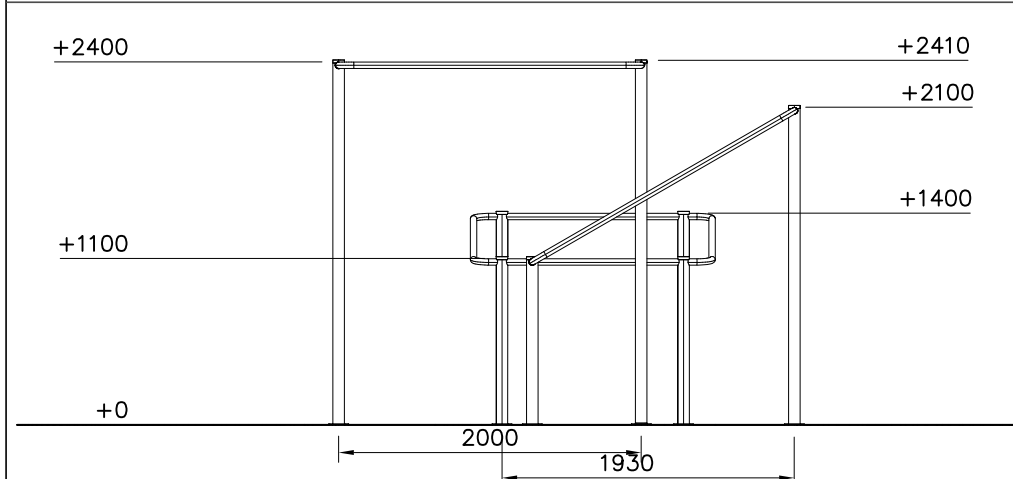



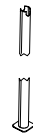

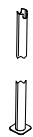
DET 12

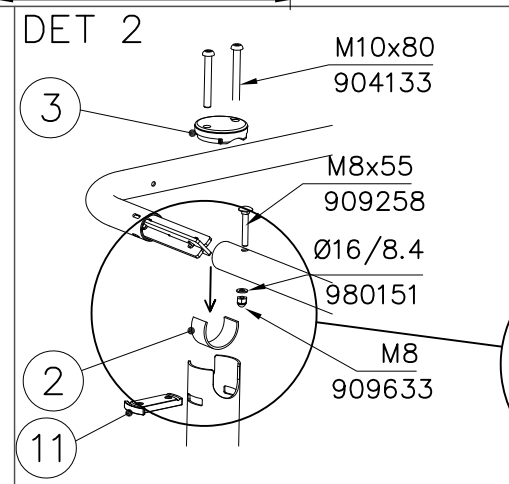
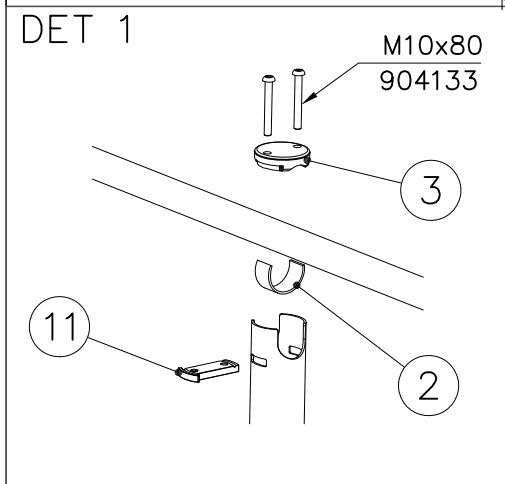







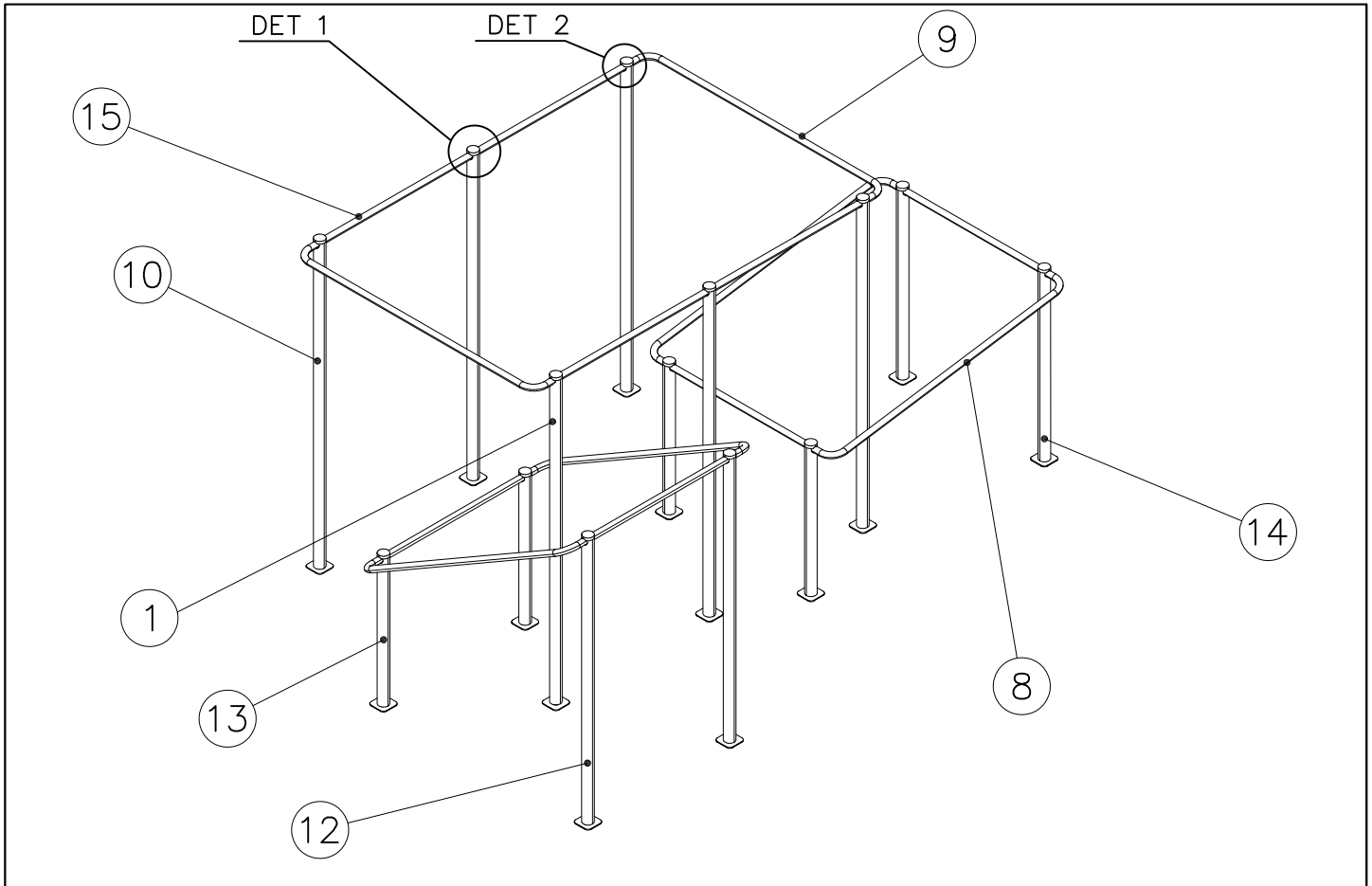
① 702341  90x50	PCS 1	② 704879  3x30x120mm	PCS 14
③ 708880  Ø77x20	PCS 14	④ 980151  Ø16/8.4	PCS 12
⑤ 904133  M10x80	PCS 28	⑥ 909258  M8x55	PCS 12
⑦ 909633  M8	PCS 12	⑧ 910547  Ø42.4x1200	PCS 4



⑨ 910549  Ø42.4x286x2042	PCS 6	⑩ 910556  L 2400	PCS 6
⑪ 910557  10x45x87	PCS 14	⑫ 910563  L 2100	PCS 2



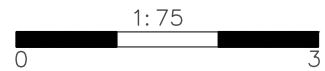
⑬ 910564  L 1100	PCS 4	⑭ 910565  L 1400	PCS 2
⑮ 910704  Ø42.4x2600	PCS 2		



—— EN Impact Attenuating Surface (IAS) 48.8 m<sup>2</sup>

----- Falling Space 48.8 m<sup>2</sup>

Max Falling Height 2410 mm

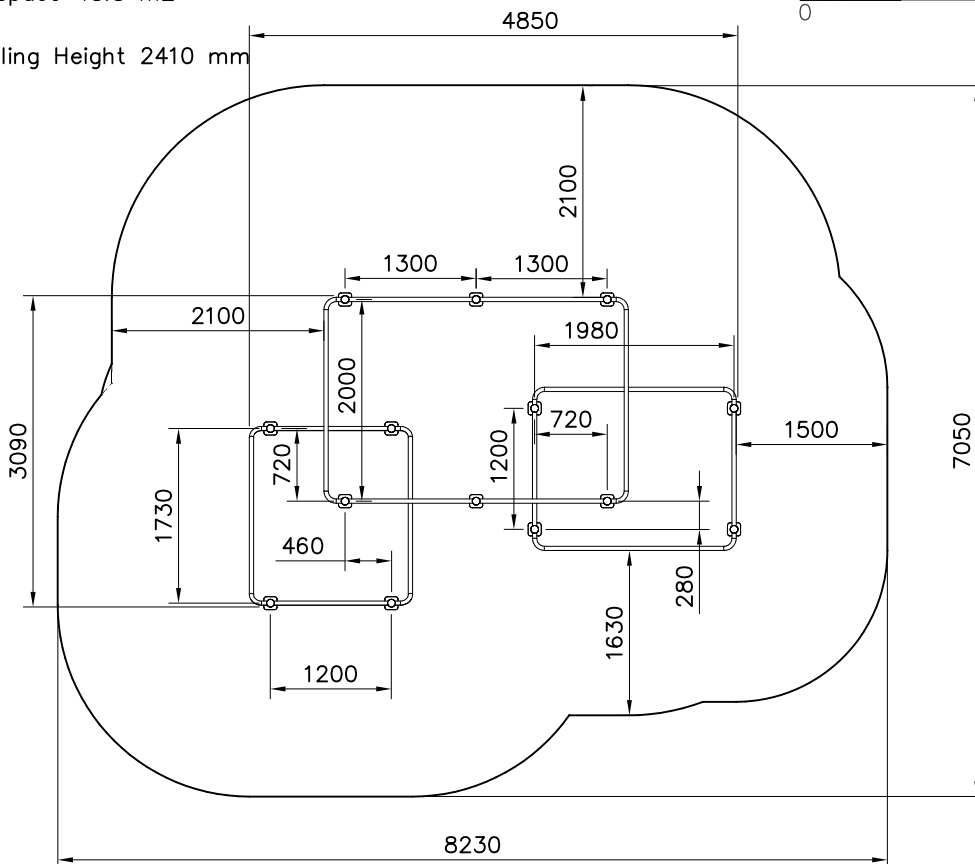


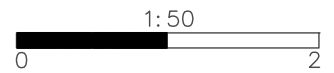
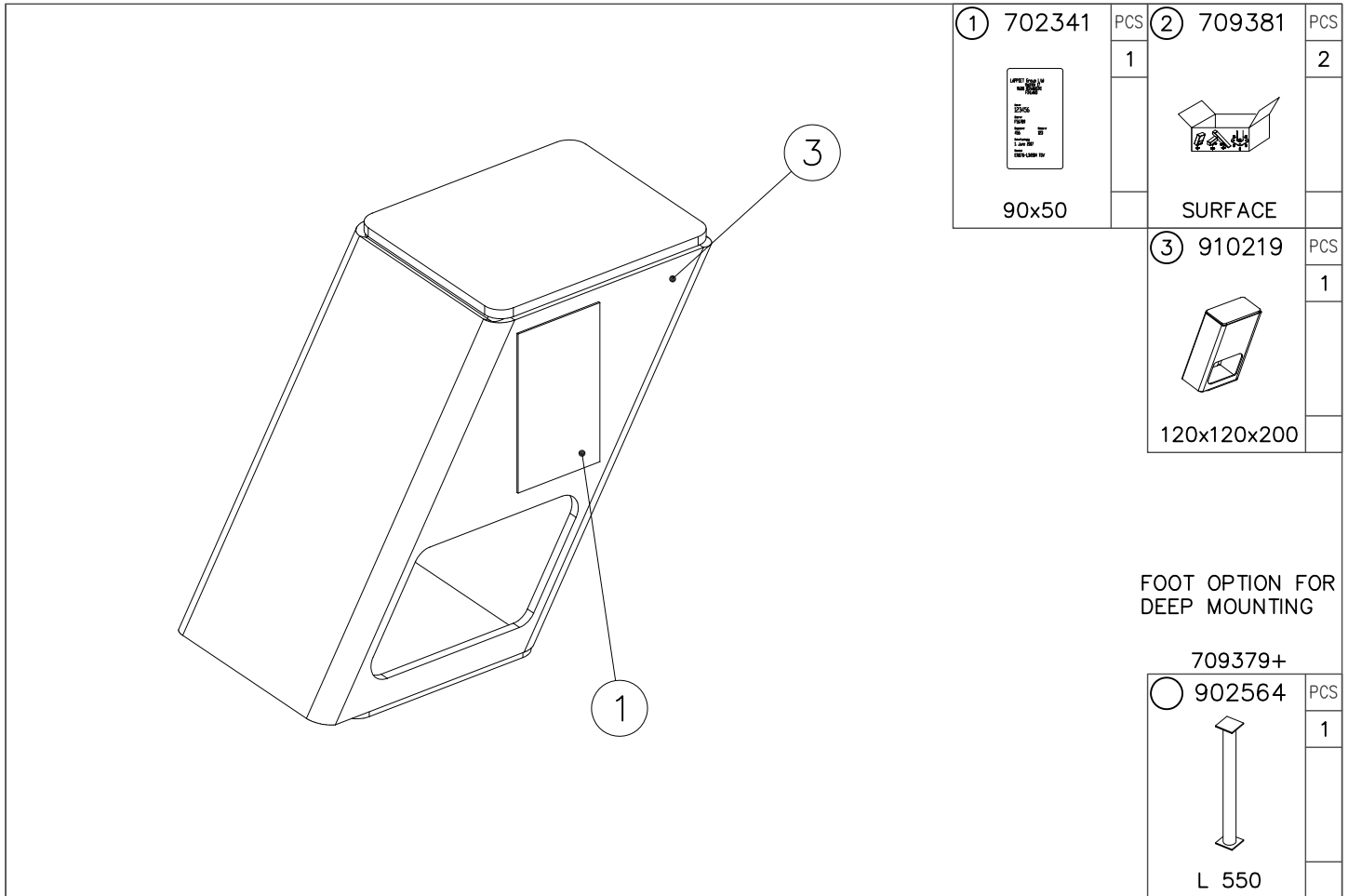
**INSTALLING FOR SURFACE MOUNTING**

	709396	PCS
		14

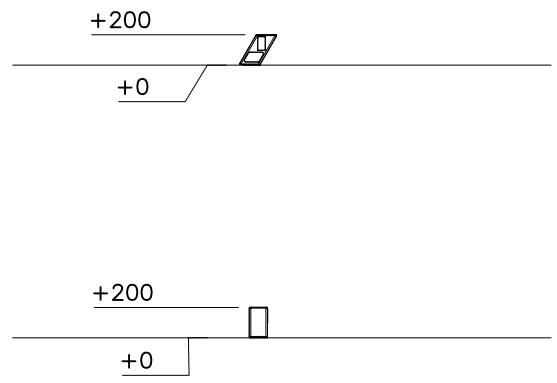
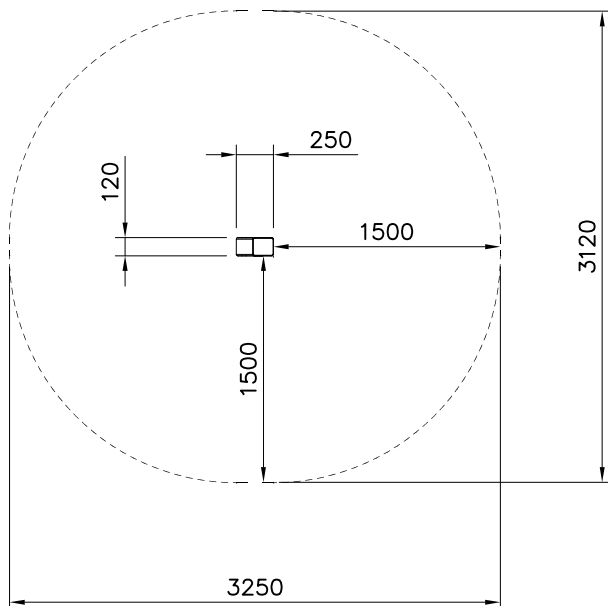
**FOOT OPTION FOR DEEP MOUNTING**

	709397+	PCS
	910562	14
	L 600	

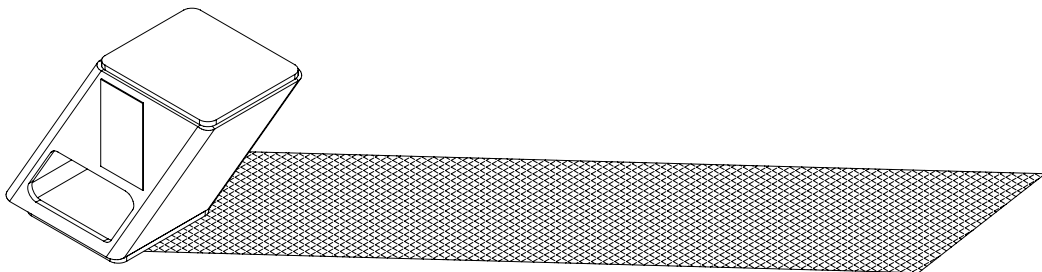
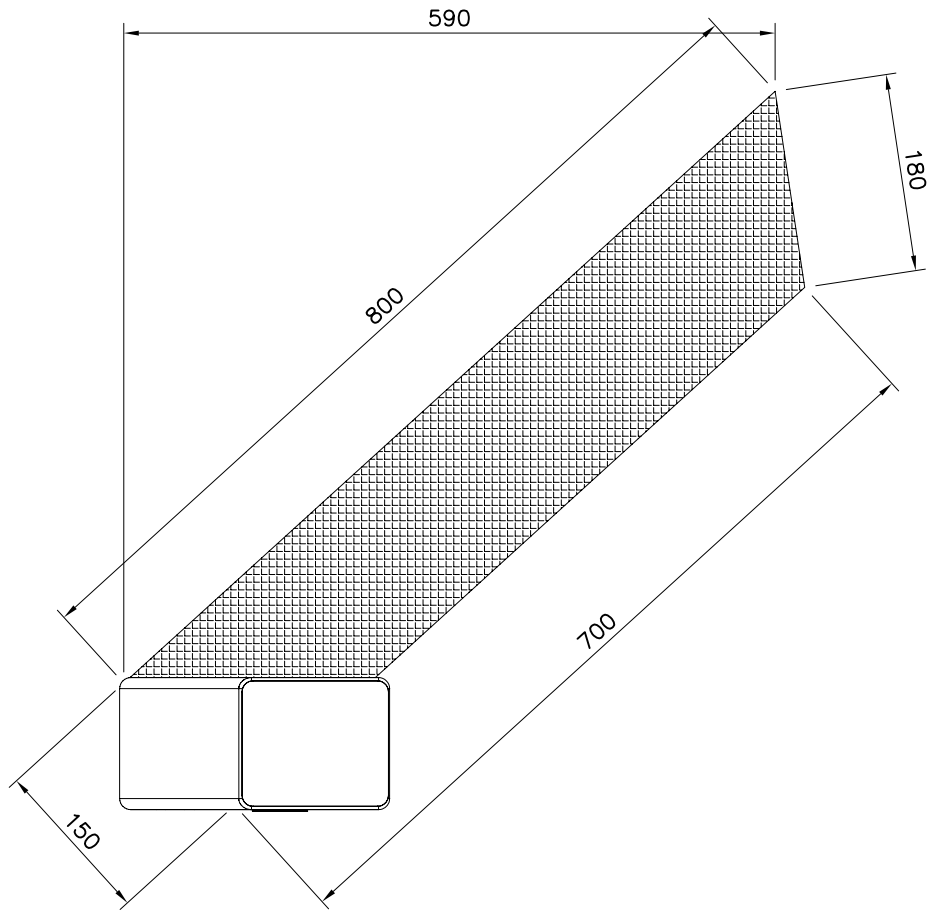




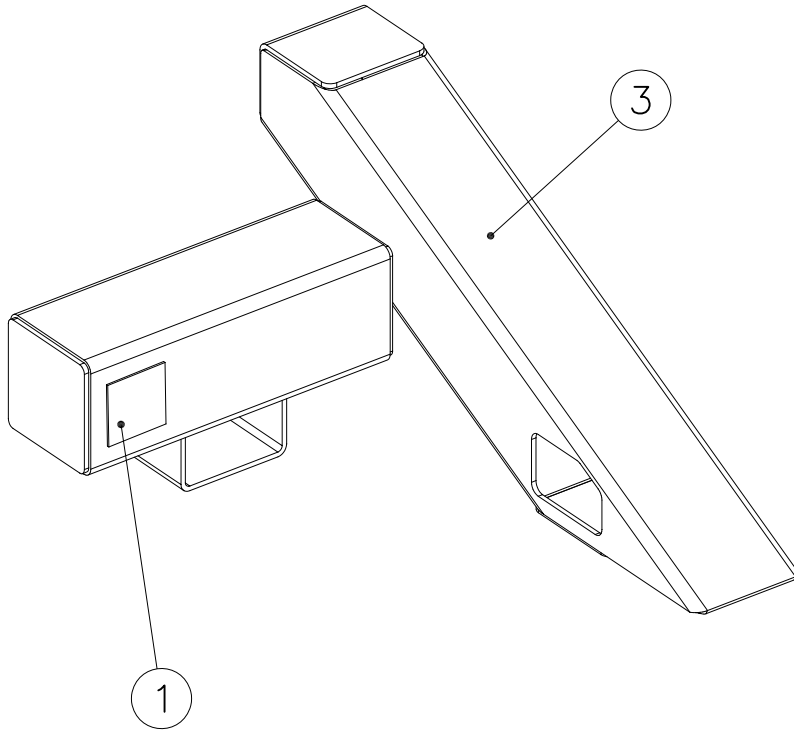
----- Falling Space 8.2 m<sup>2</sup>  
Max Falling Height 200 mm

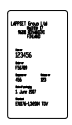



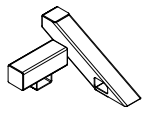
Shadow lines






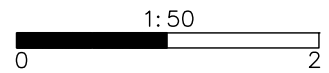


① 702341	PCS	② 709381	PCS
	1		2
90x50		SURFACE	

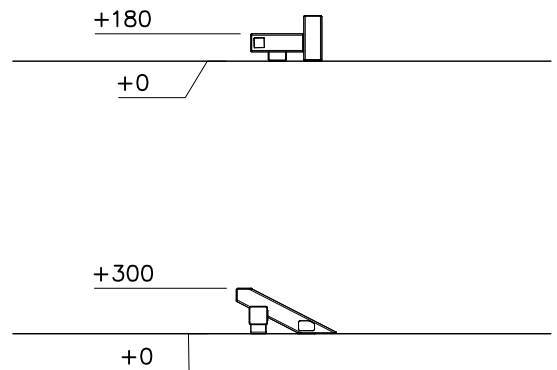
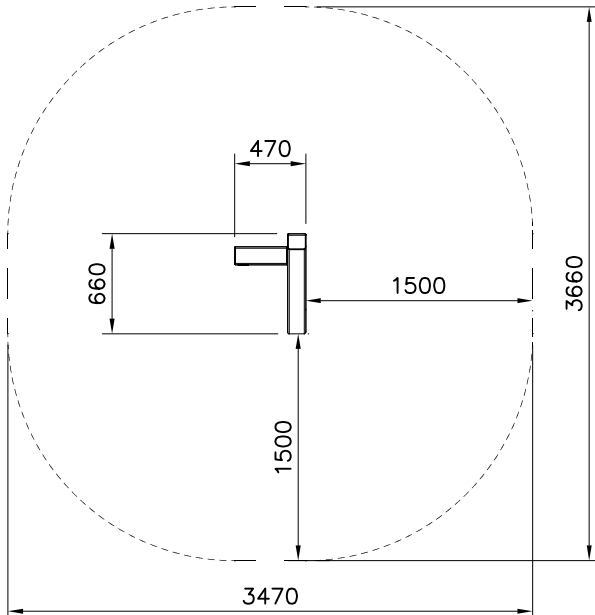
③ 910220	PCS
	1
300x470x662	

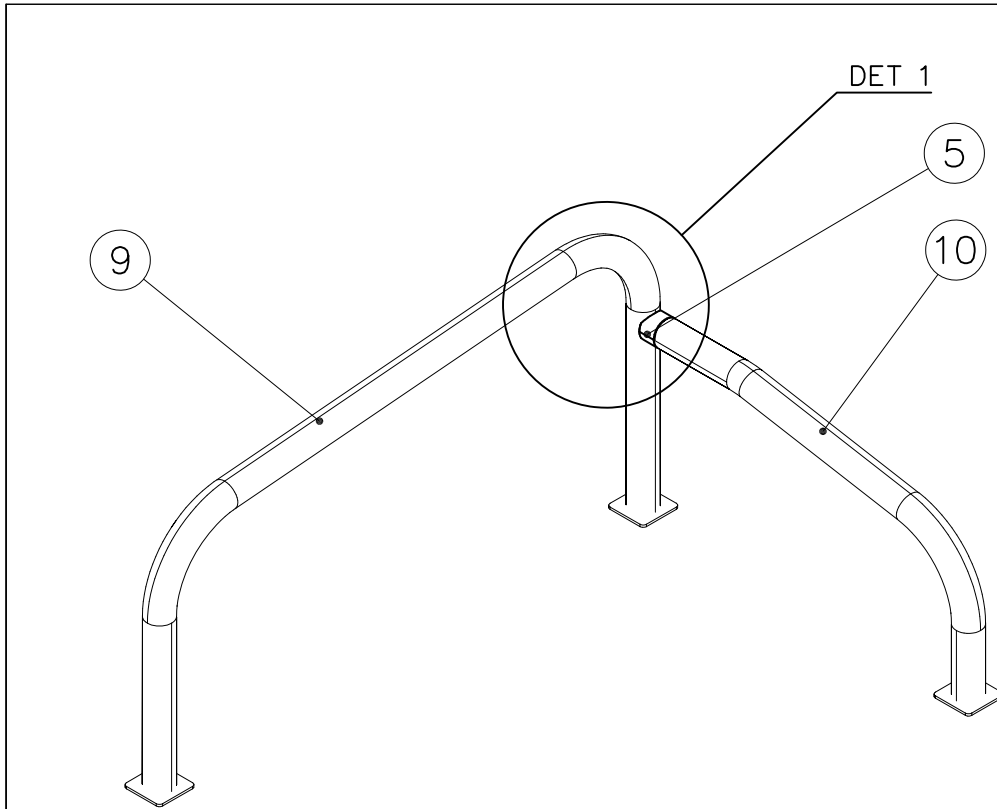
FOOT OPTION FOR DEEP MOUNTING

709379+	
○ 902564	PCS
	2
L 550	

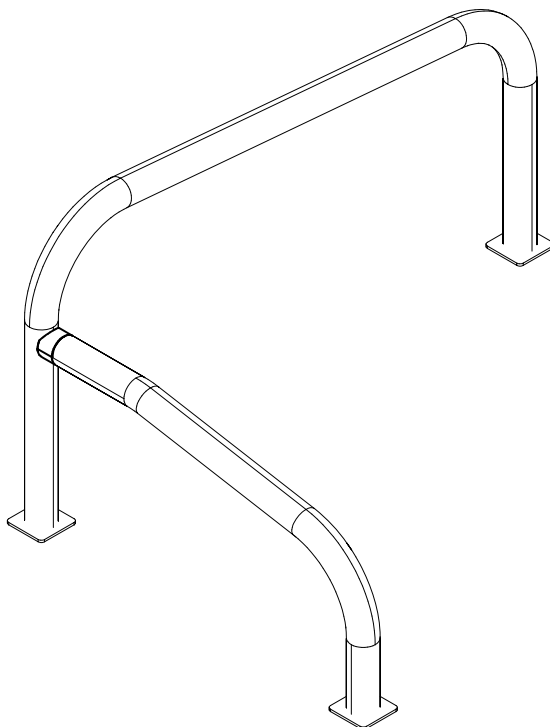


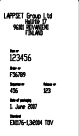


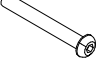
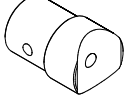




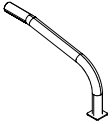

----- Falling Space 10.8 m<sup>2</sup>  
 Max Falling Height 300 mm






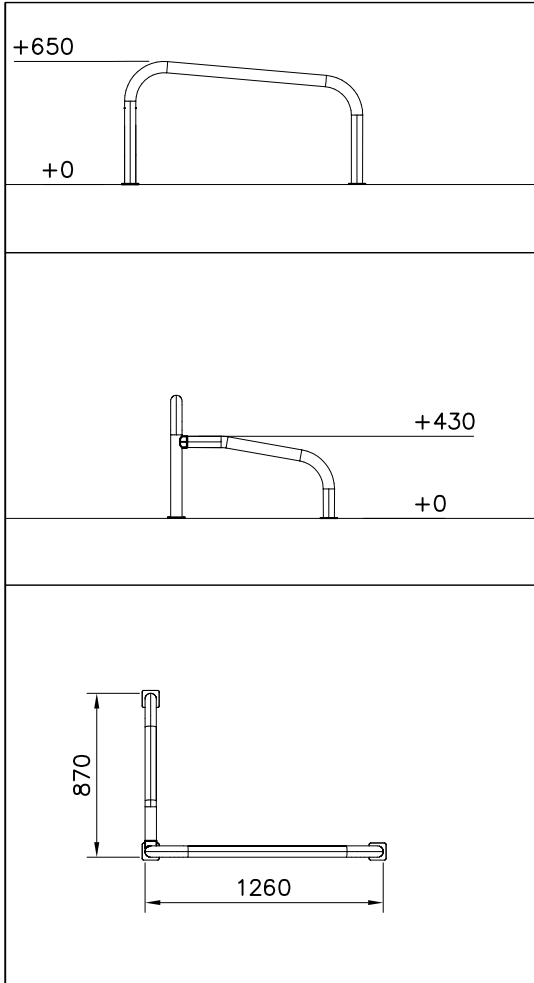
OPTION LEFT-HANDED



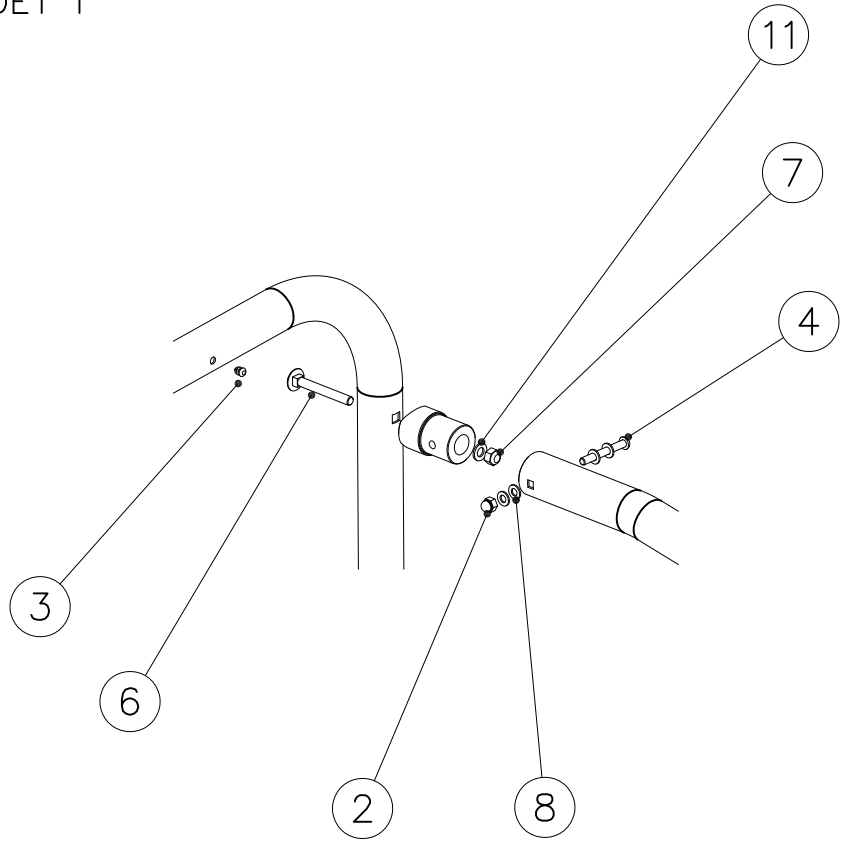
① 702341	PCS	② 900965	PCS
 LAPPSET Group Ltd NORWICH Nor E23435 Part P/N Rev 1 Jan 200 www.lappset.com	1	 M10	1
90x50			
③ 903533	PCS	④ 904133	PCS
	4		1
SRL12		M10x80	
⑤ 908069	PCS	⑥ 909111	PCS
	1		1
Ø60x87.6		M12x100	
⑦ 909248	PCS	⑧ 909638	PCS
	1		4
M12		Ø20/10.5	
⑨ 910254	PCS	⑩ 910262	PCS
	1		1
Ø60x650x1290		Ø60x435x795	
⑪ 980154	PCS		PCS
	1		
Ø24/13			

FOOT OPTION FOR DEEP MOUNTING

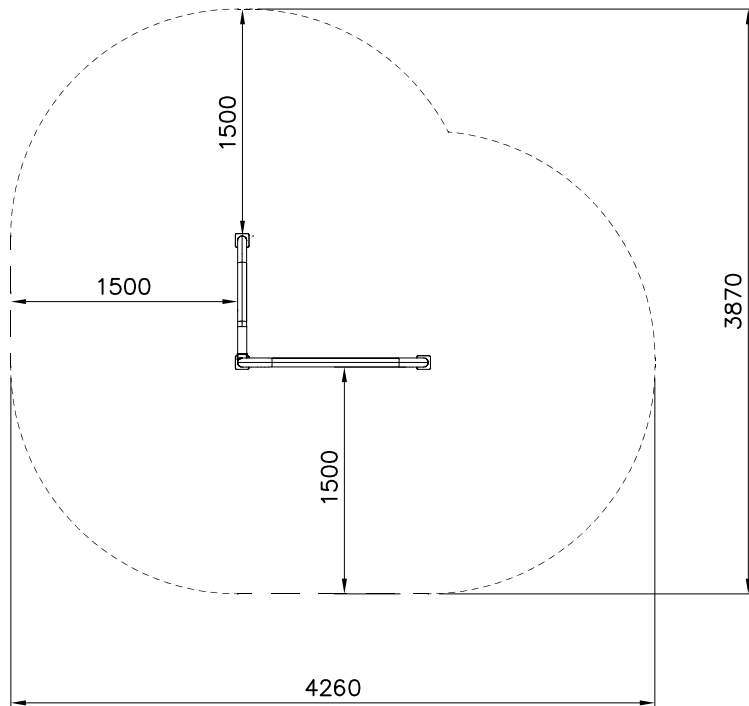
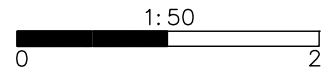
709379+		
○ 902564	PCS	
	3	
L 550		

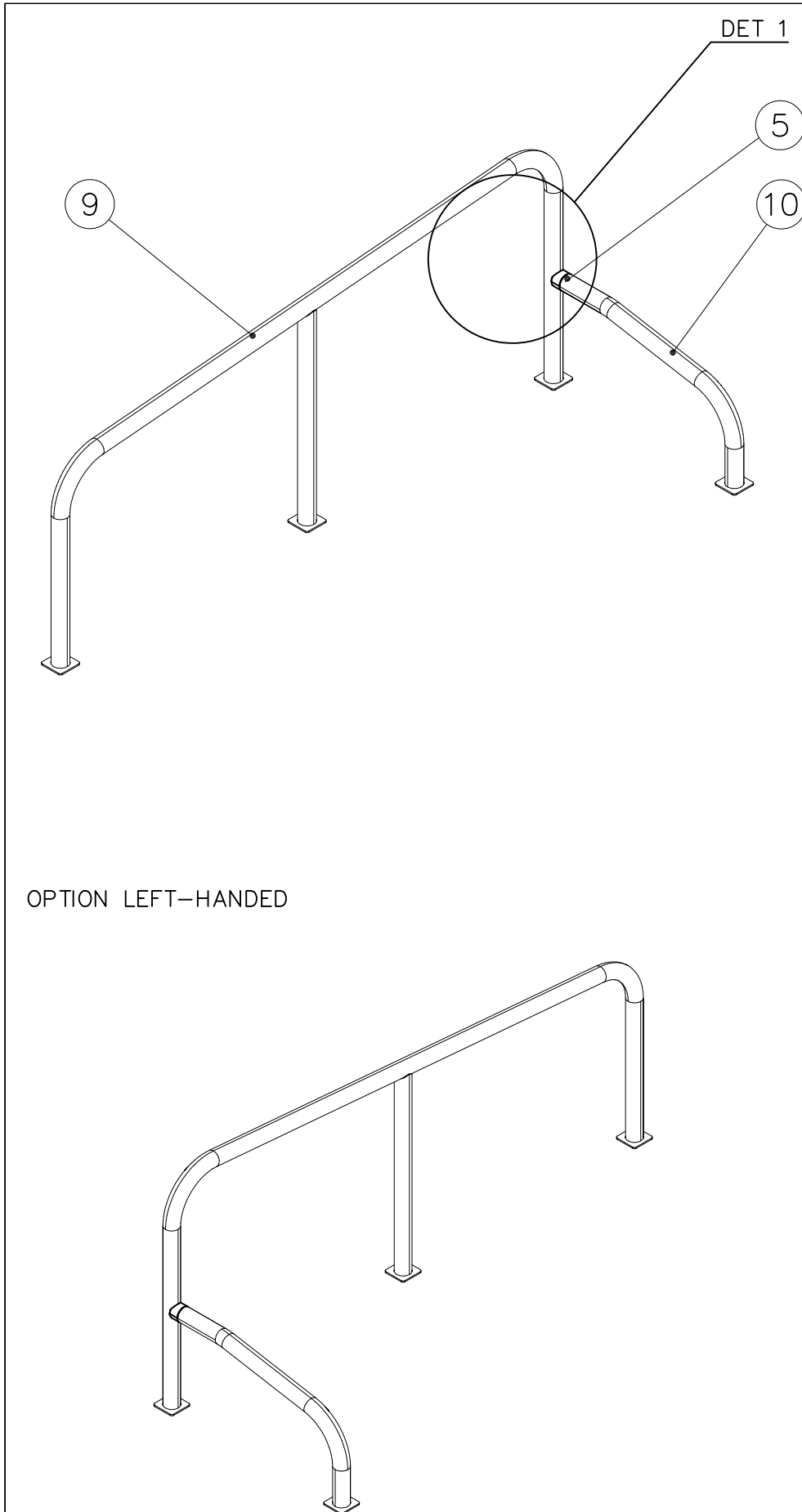


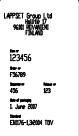

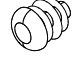
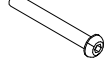
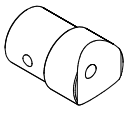



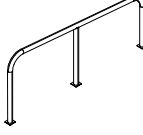
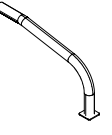
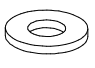
DET 1

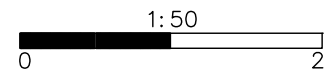
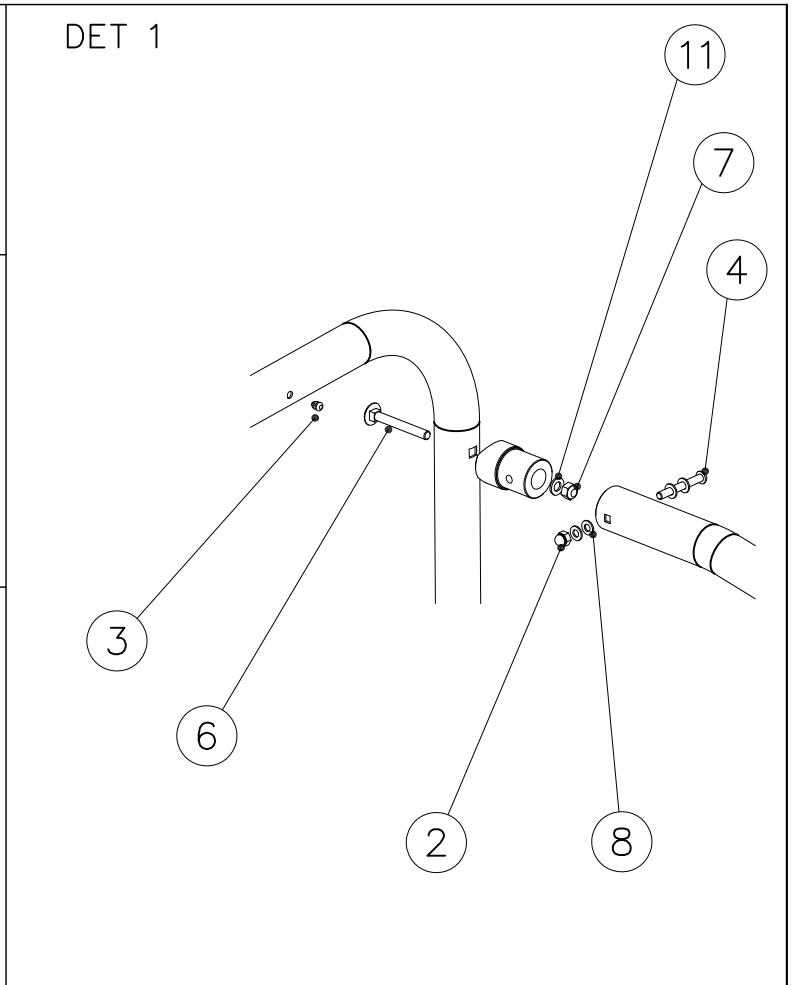
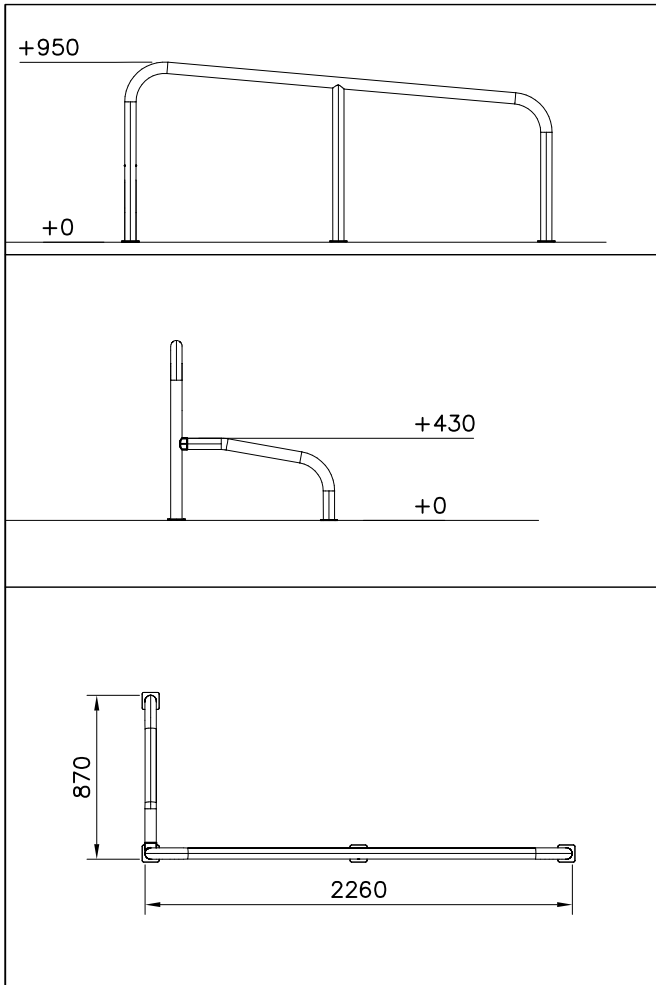


----- Falling Space 13.1 m<sup>2</sup>  
Max Falling Height 650 mm

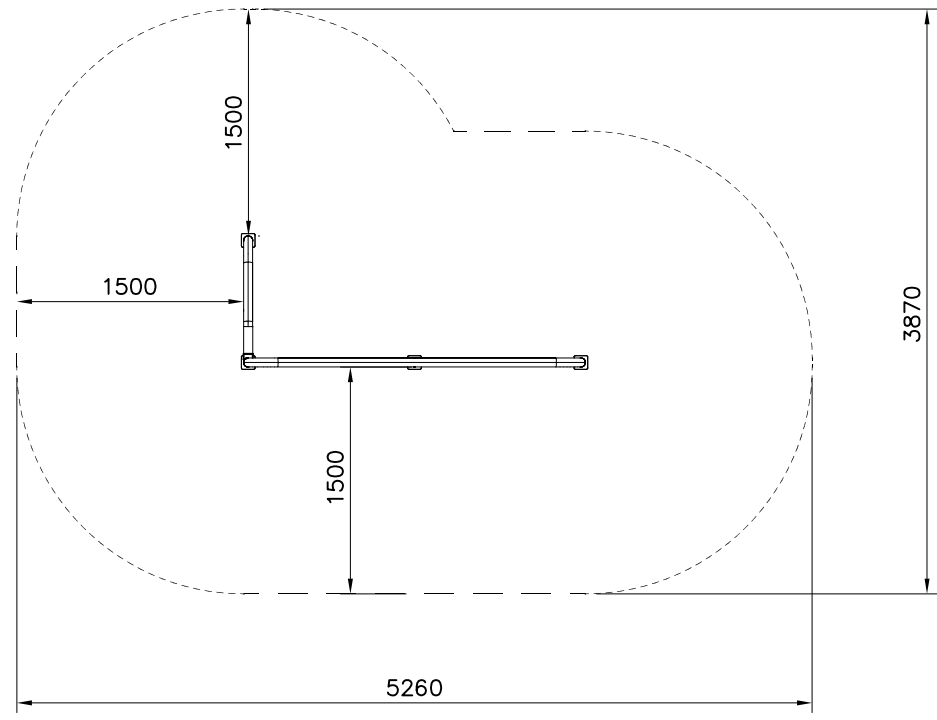


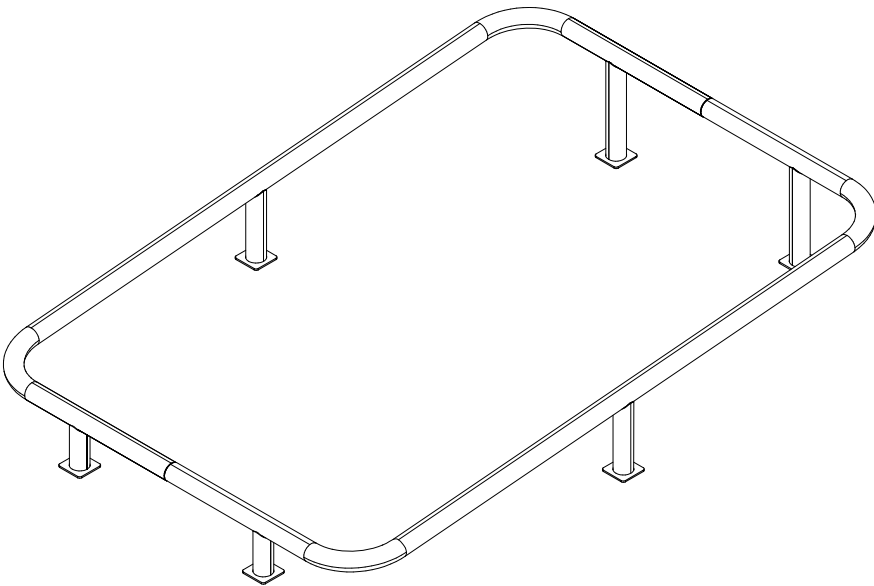


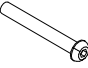

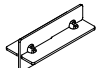
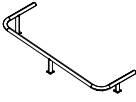
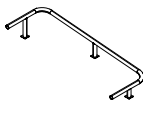
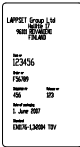


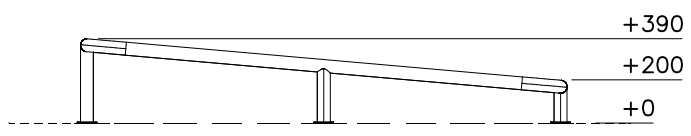
①	702341	PCS	②	900965	PCS
		1			1
	90x50		M10		
③	903533	PCS	④	904133	PCS
		4			1
	SRL12		M10x80		
⑤	908069	PCS	⑥	909111	PCS
		1			1
	Ø60x87.6		M12x100		
⑦	909248	PCS	⑧	909638	PCS
		1			4
	M12		Ø20/10.5		
⑨	910255	PCS	⑩	910262	PCS
		1			1
	Ø60x950x2290		Ø60x435x795		
⑪	980154	PCS			PCS
		1			
	Ø24/13				



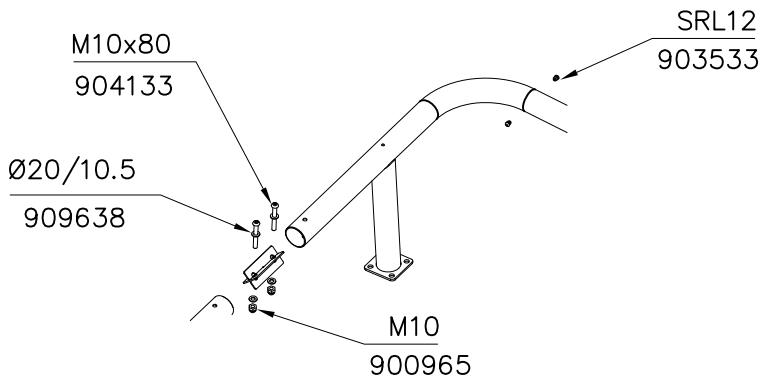
----- Falling Space 16.2 m2  
Max Falling Height 950 mm

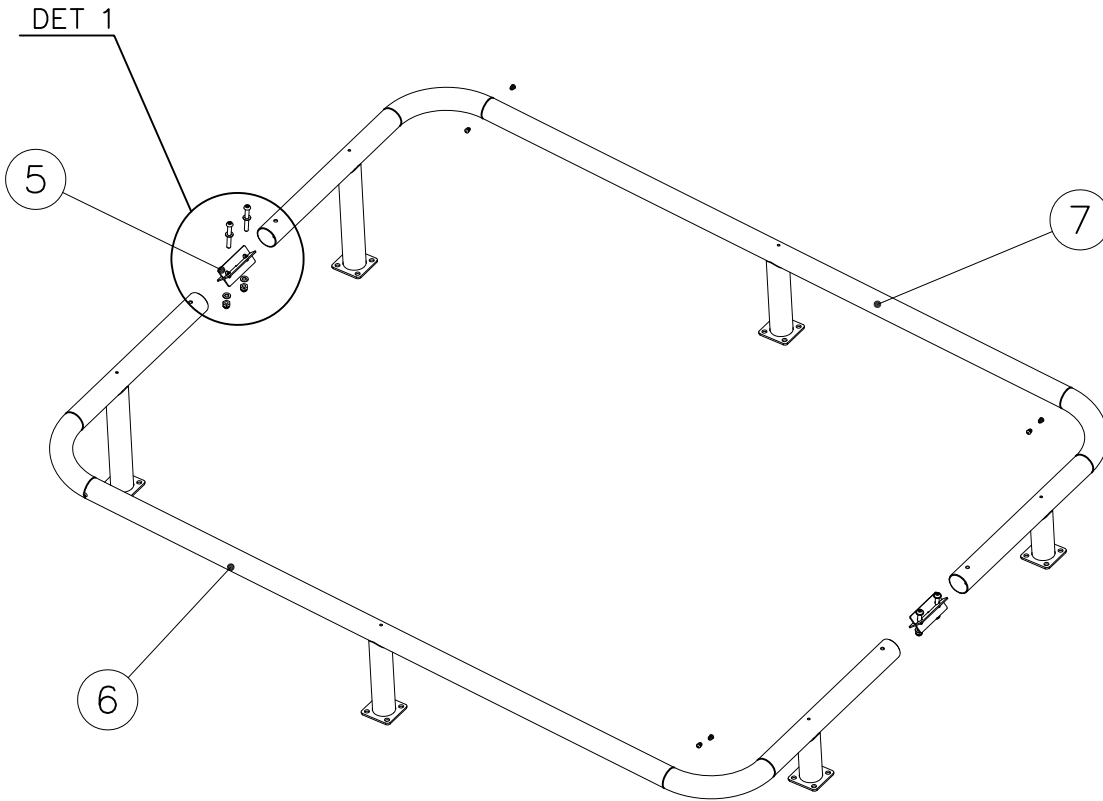


	① 900965  M10 PCS 4	② 903533  SRL12 PCS 8	
	③ 904133  M10x80 PCS 4	④ 909638  Ø20/10.5 PCS 8	
	⑤ 910052  53x53x120 PCS 2	⑥ 910054  390x780x2282 PCS 1	
	⑦ 910055  390x780x2282 PCS 1	⑧ 702341  90x50 PCS 1	
		PCS	PCS
		PCS	PCS
		PCS	PCS
		PCS	PCS

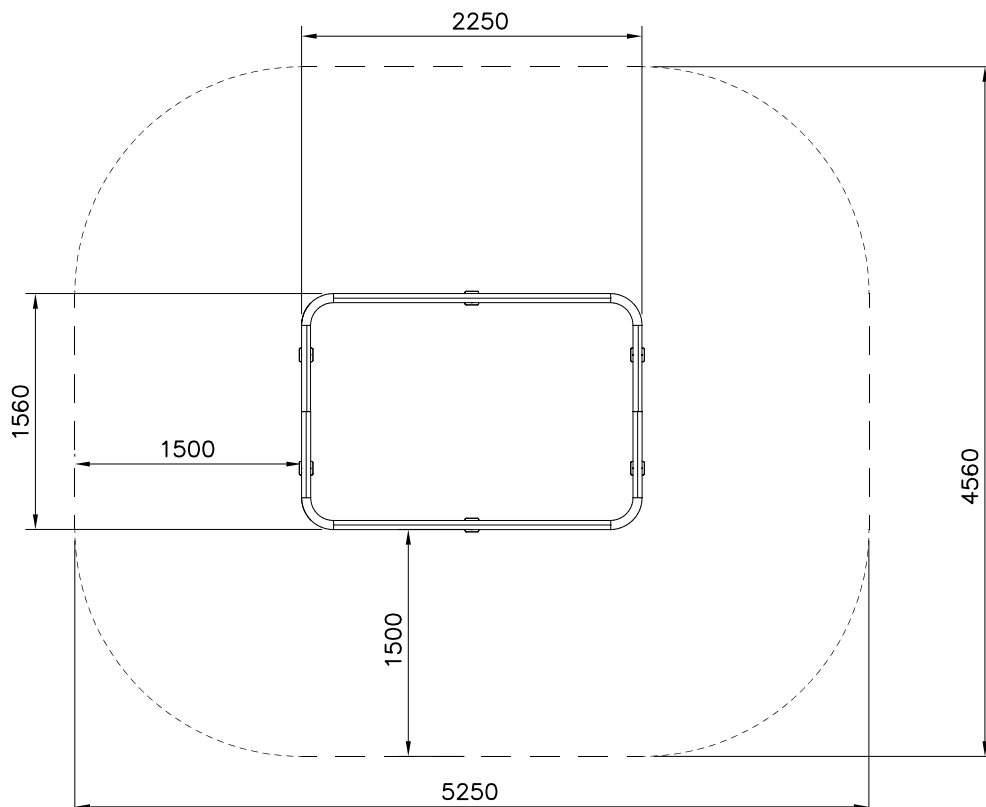
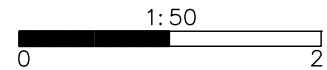


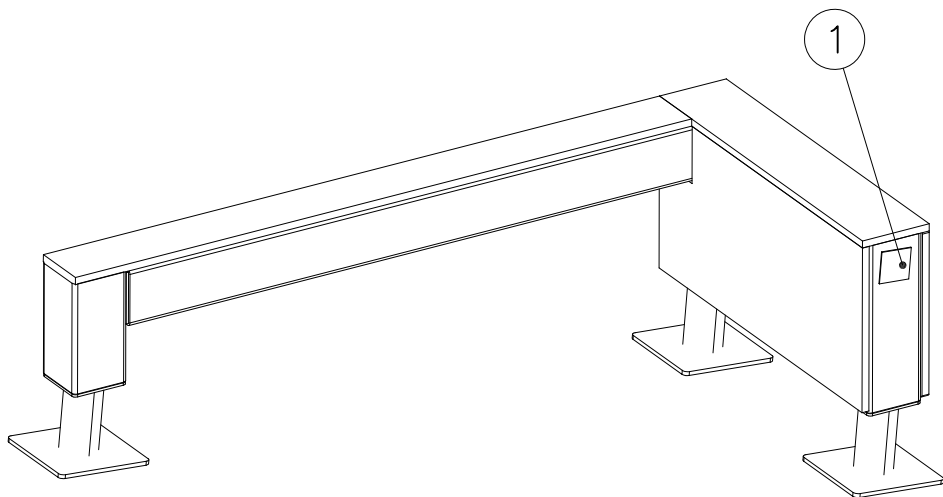
### DET 1


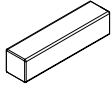



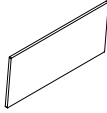
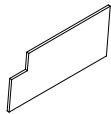
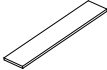

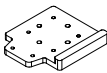
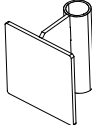


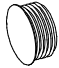

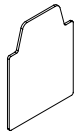


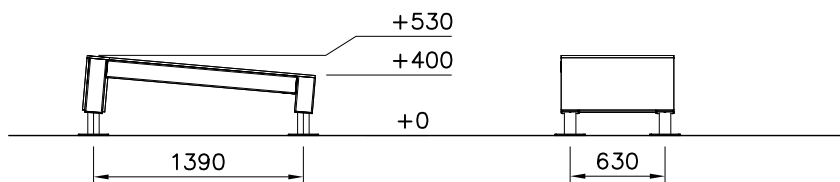


----- Falling Space 22 m2  
Max Falling Height 390 mm

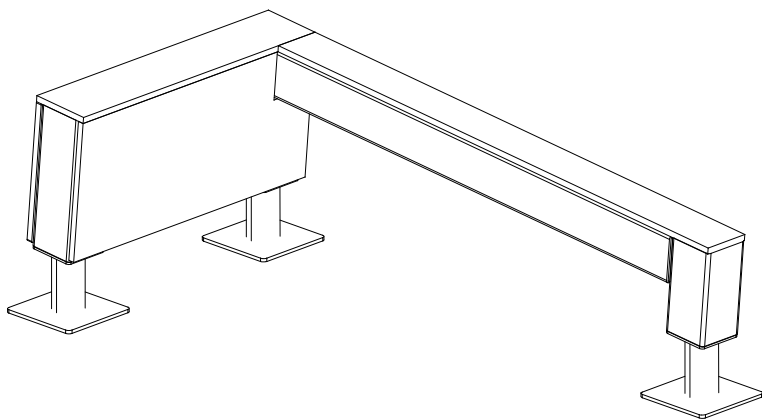







① 702286  65x65	PCS 1	② 707210  118x118x503	PCS 2
③ 707212  118x118x1254	PCS 1	④ 708347  118x118x231	PCS 1
⑤ 708443  118x118x352	PCS 2	⑥ 708727  15x346x745	PCS 1
⑦ 708730  15x346x745	PCS 1	⑧ 708733  15x148x745	PCS 1
⑨ 708734  15x118x1365	PCS 1	⑩ 708857 JIG  20x133x149	PCS 1
⑪ 910266  90x108x118	PCS 2	⑫ 900240  Ø8x70	PCS 16
⑬ 903093  Ø8x90	PCS 4	⑭ 905103  PT-28/32-H	PCS 2
⑮ 905112  Ø22	PCS 4	⑯ 908698  3x114x108	PCS 4



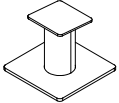

### INSTALLATION OF A SECOND HAND



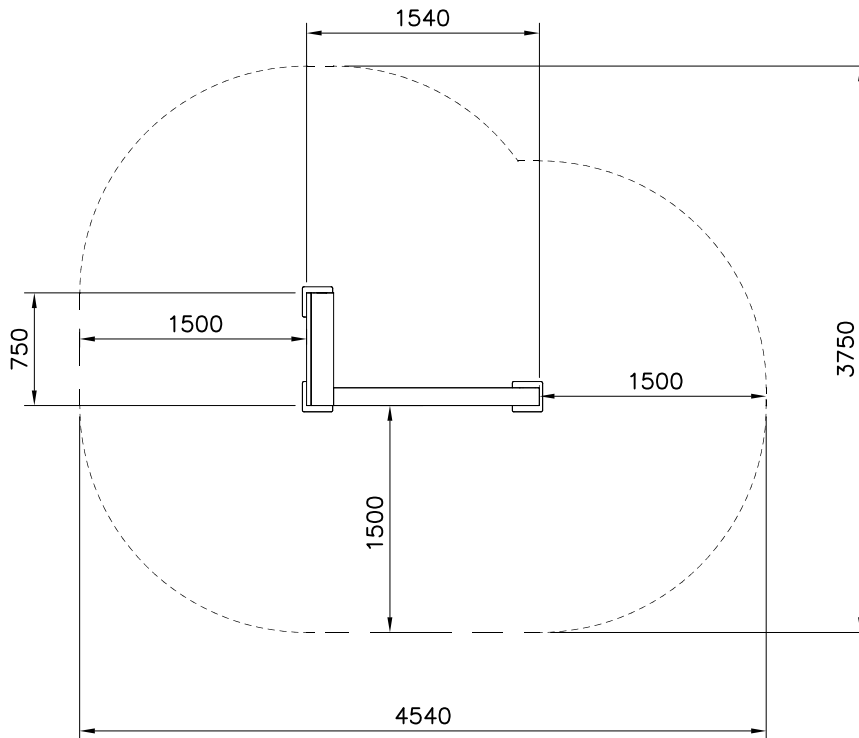
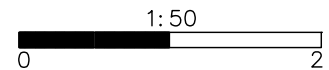


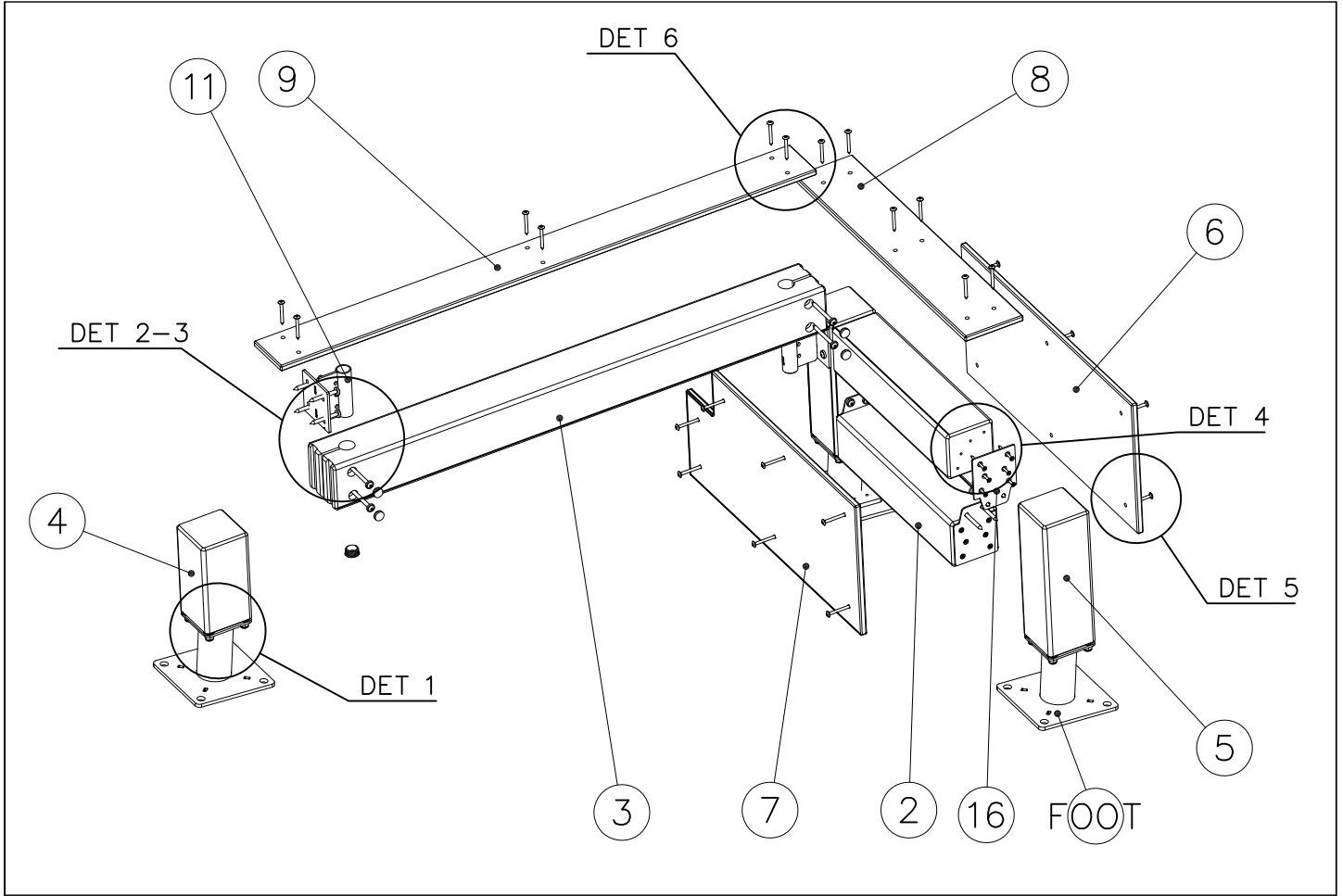
17	980100	PCS	18	980114	PCS	19	980123	PCS
		28			4			25
								
	Ø5x60			Ø4x20			Ø7x60	

### FOOT OPTIONS

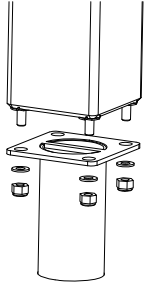
709261+		709262+	
○ 910267	PCS	○ 910567	PCS
SURFACE	3	CONCRETE	3
			
152x200x200		117x117x715	

----- Falling Space 13.8 m<sup>2</sup>  
Max Falling Height 530 mm

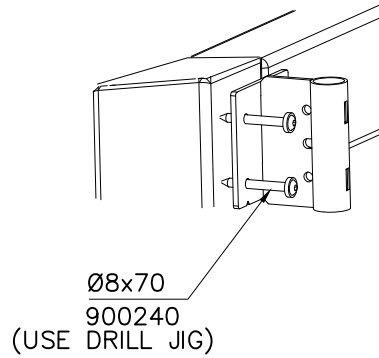




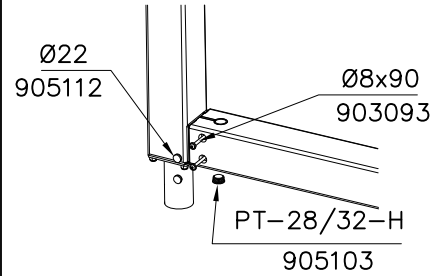
DET 1



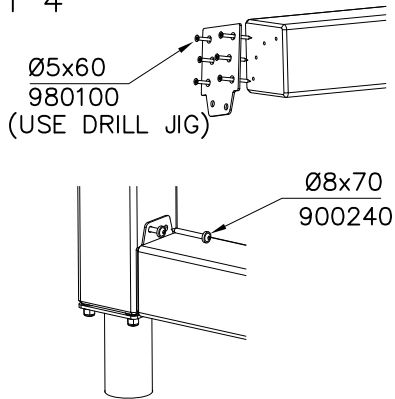
DET 2



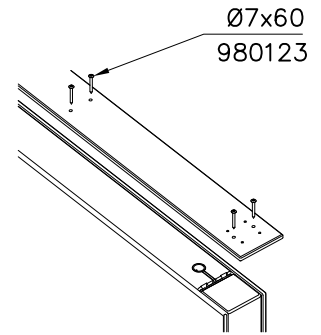
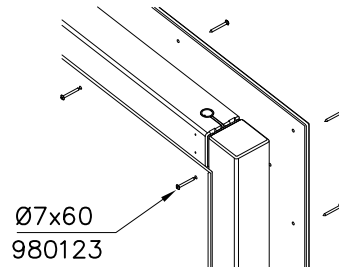
DET 3



DET 4

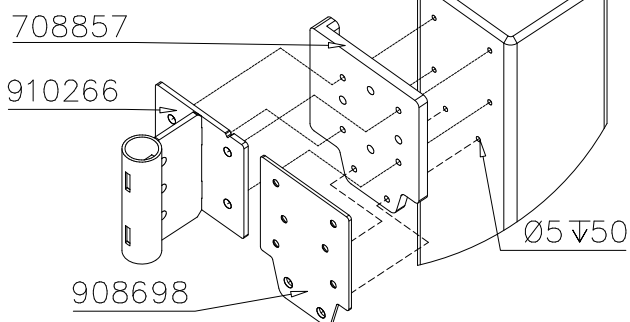


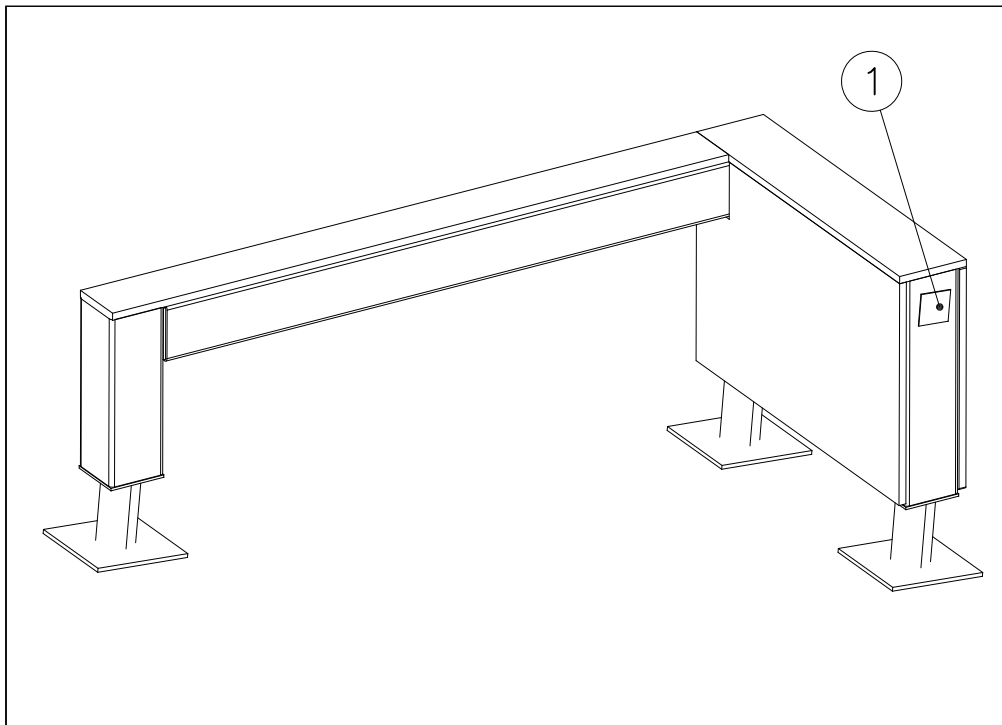
DET 5

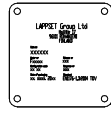
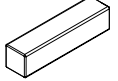



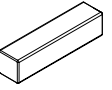
JIG DET A (USE DET 2-4)

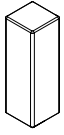
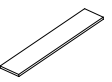
NOTE:  
Use drill jig 708857  
to predrill  $\text{Ø}5\sqrt{50}$   
holes for 910266  
and 908698

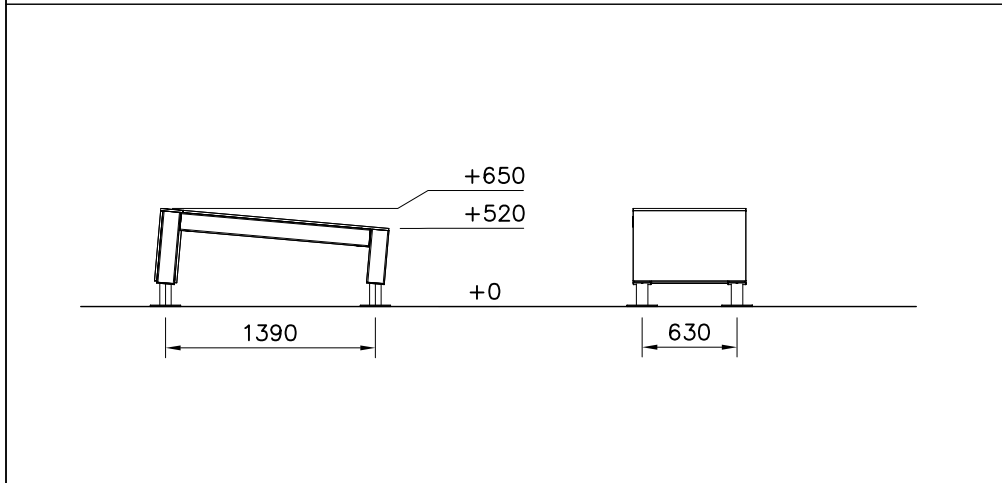



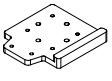


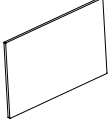

① 702286	PCS	② 707210	PCS
	1		2
65x65		118x118x503	

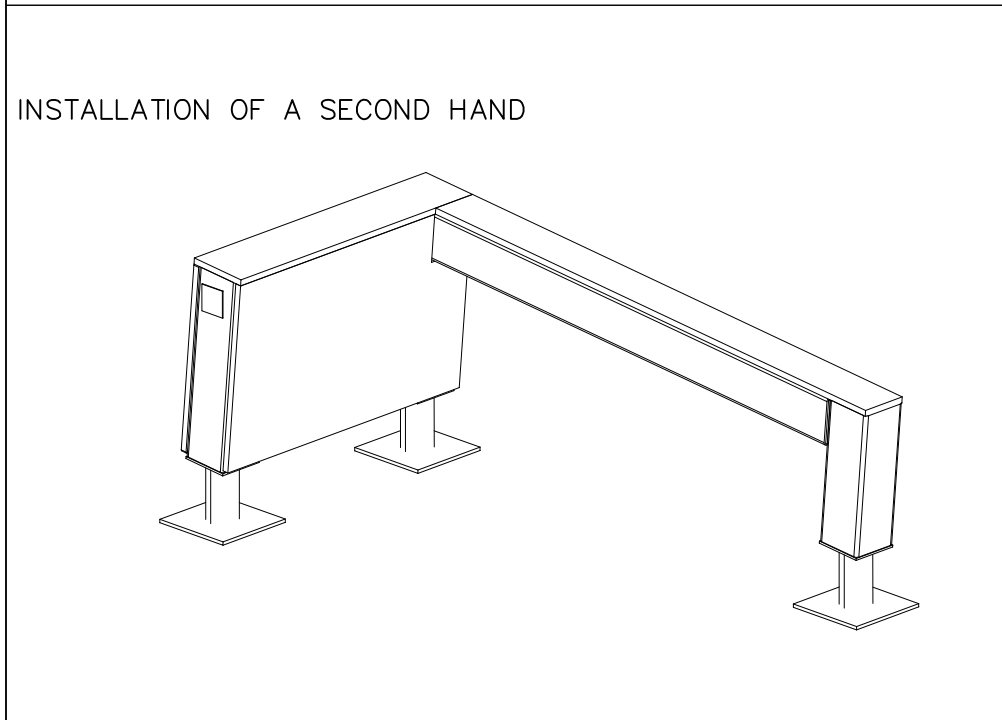
③ 707212	PCS	④ 707889	PCS
	1		2
118x118x1254		118x118x472	



⑤ 708443	PCS	⑥ 708733	PCS
	1		1
118x118x352		15x148x745	


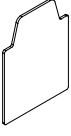


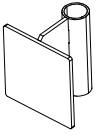
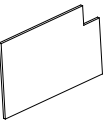
⑦ 708734	PCS	⑧ 708857 JIG	PCS
	1		1
15x118x1365		20x133x149	




⑨ 708731	PCS	⑩ 900240	PCS
	1		16
15x466x745		Ø8x70	



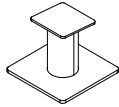
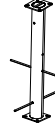
⑪ 903093	PCS	⑫ 905103	PCS
	4		2
Ø8x90		PT-28/32-H	

⑬ 905112	PCS	⑭ 908698	PCS
	4		4
Ø22		3x114x108	

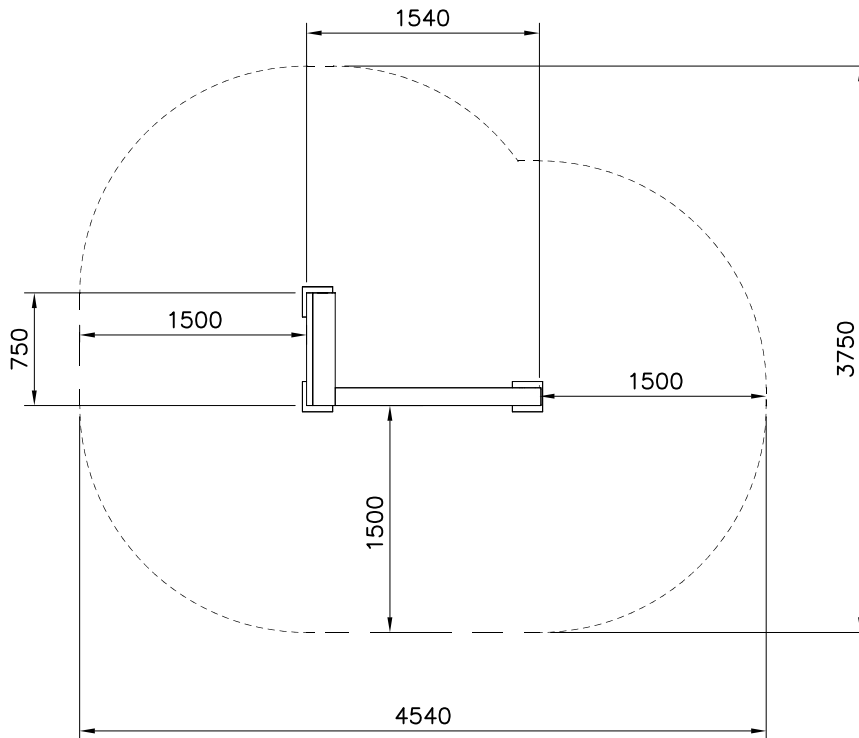
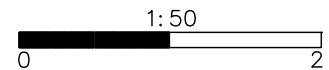
⑮ 910266	PCS	⑯ 708732	PCS
	2		1
90x108x118		15x466x745	

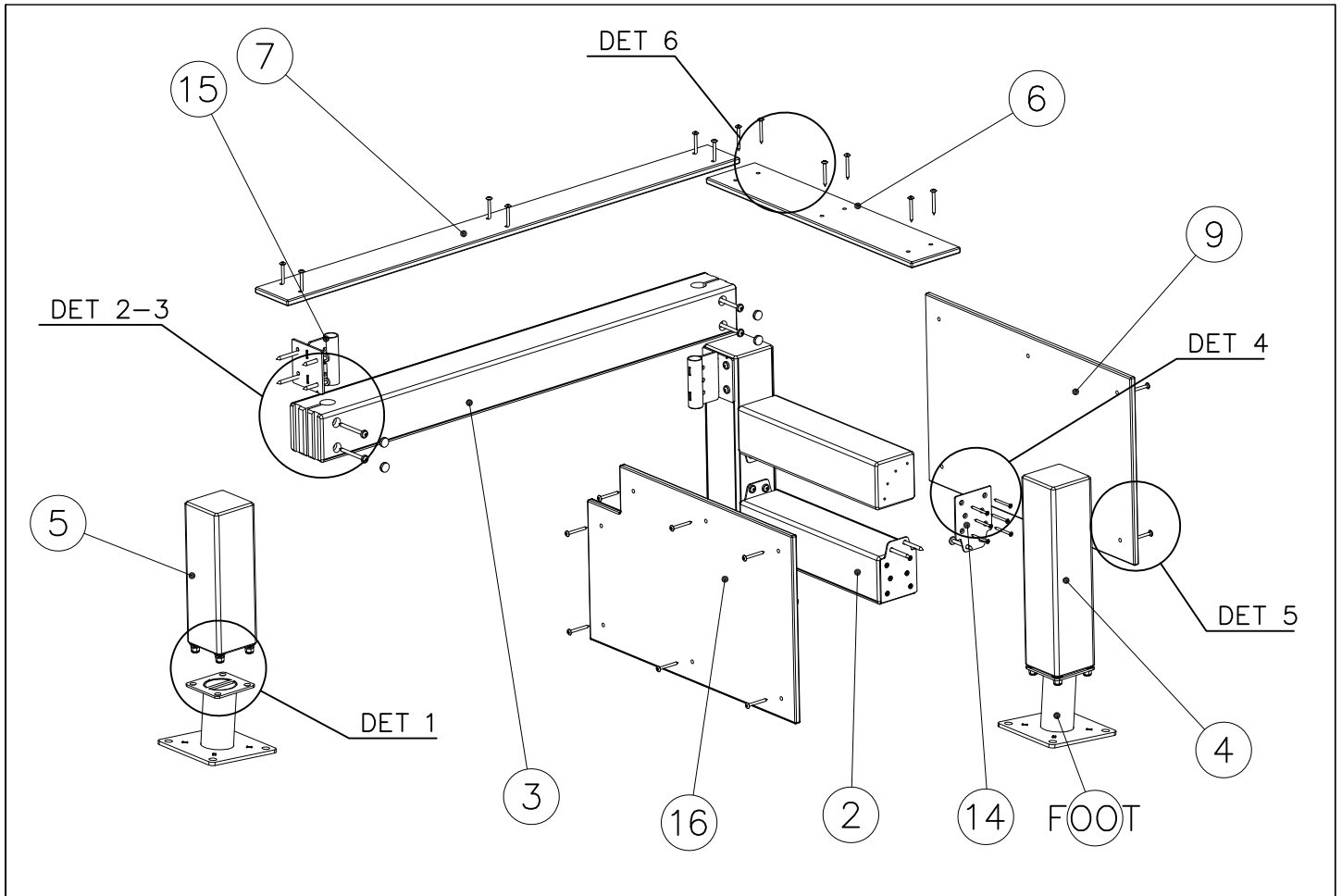
17	980100	PCS	18	980114	PCS	19	980123	PCS
		28			4			25
								
	Ø5x60			Ø4x20			Ø7x60	

### FOOT OPTIONS

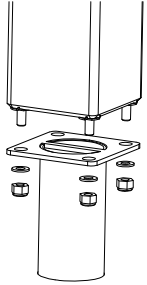
709261+		709262+	
○ 910267	PCS	○ 910567	PCS
SURFACE	3	CONCRETE	3
			
152x200x200		117x117x715	

----- Falling Space 13.8 m<sup>2</sup>  
Max Falling Height 650 mm

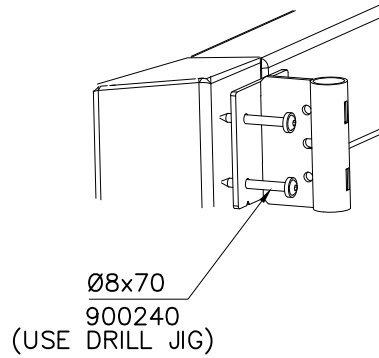




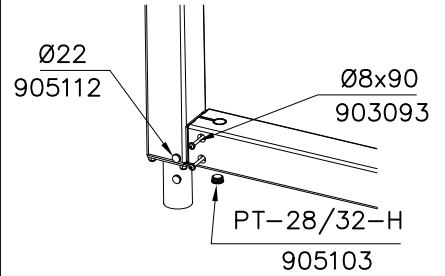
DET 1



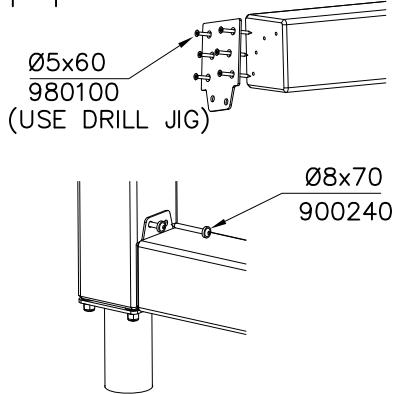
DET 2



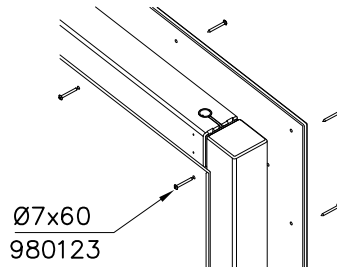
DET 3



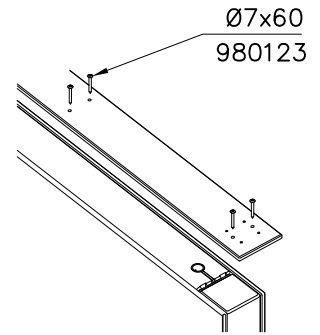
DET 4



DET 5

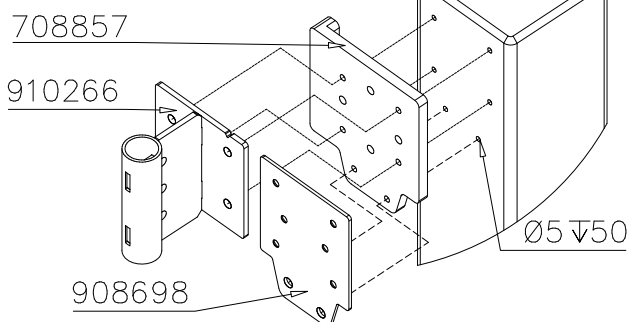


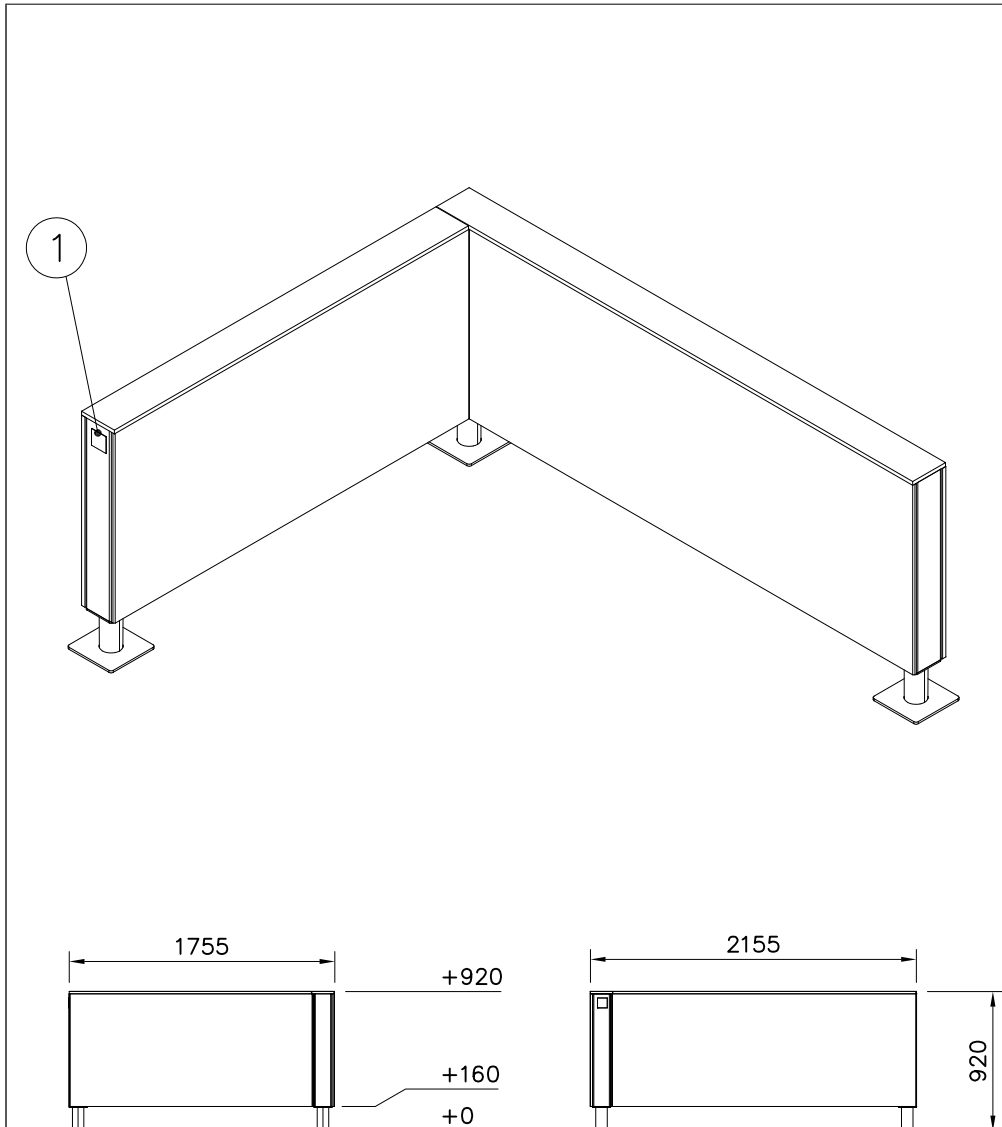
DET 6



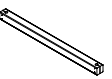
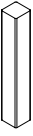



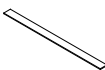
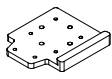
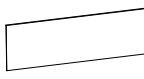





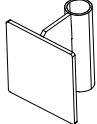




JIG DET A (USE DET 2-4)

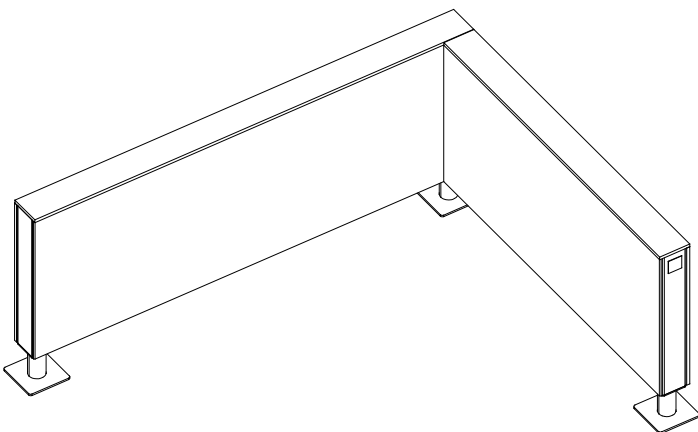
NOTE:  
Use drill jig 708857  
to predrill  $\text{Ø}5\sqrt{50}$   
holes for 910266  
and 908698





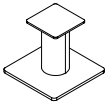
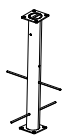
① 702286  65x65	PCS 1	② 707213  118x118x1490	PCS 2
③ 707517  118x118x1892	PCS 2	④ 708137  118x118x745	PCS 3
⑤ 708715  15x745x2140	PCS 1	⑥ 708716  15x745x1753	PCS 1
⑦ 708737  15x148x1601	PCS 1	⑧ 708738  15x148x2153	PCS 1
⑨ 708857 JIG  20x133x149	PCS 1	⑩ 911309 COLOR  12x745x2015	PCS 1
⑪ 911311 MURAL  12x745x1610	PCS 1	⑫ 900240  Ø8x70	PCS 32
⑬ 903093  Ø8x90	PCS 16	⑭ 905103  PT-28/32-H	PCS 8
⑮ 905112  Ø22	PCS 16	⑯ 910266  90x108x118	PCS 8
⑰ 980123  Ø7x60	PCS 56	⑱ 980114  Ø4x20	PCS 4

## INSTALLATION OF A SECOND HAND

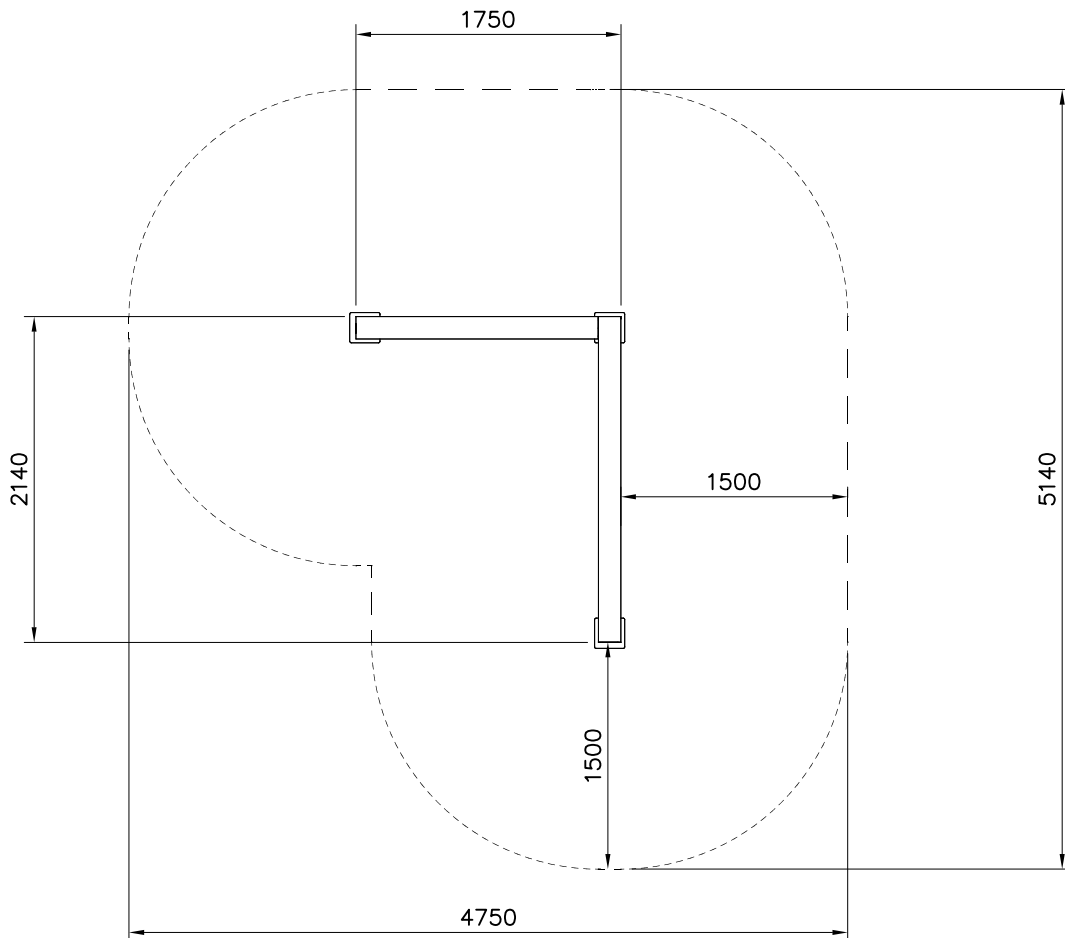
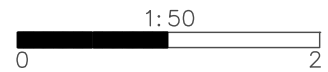


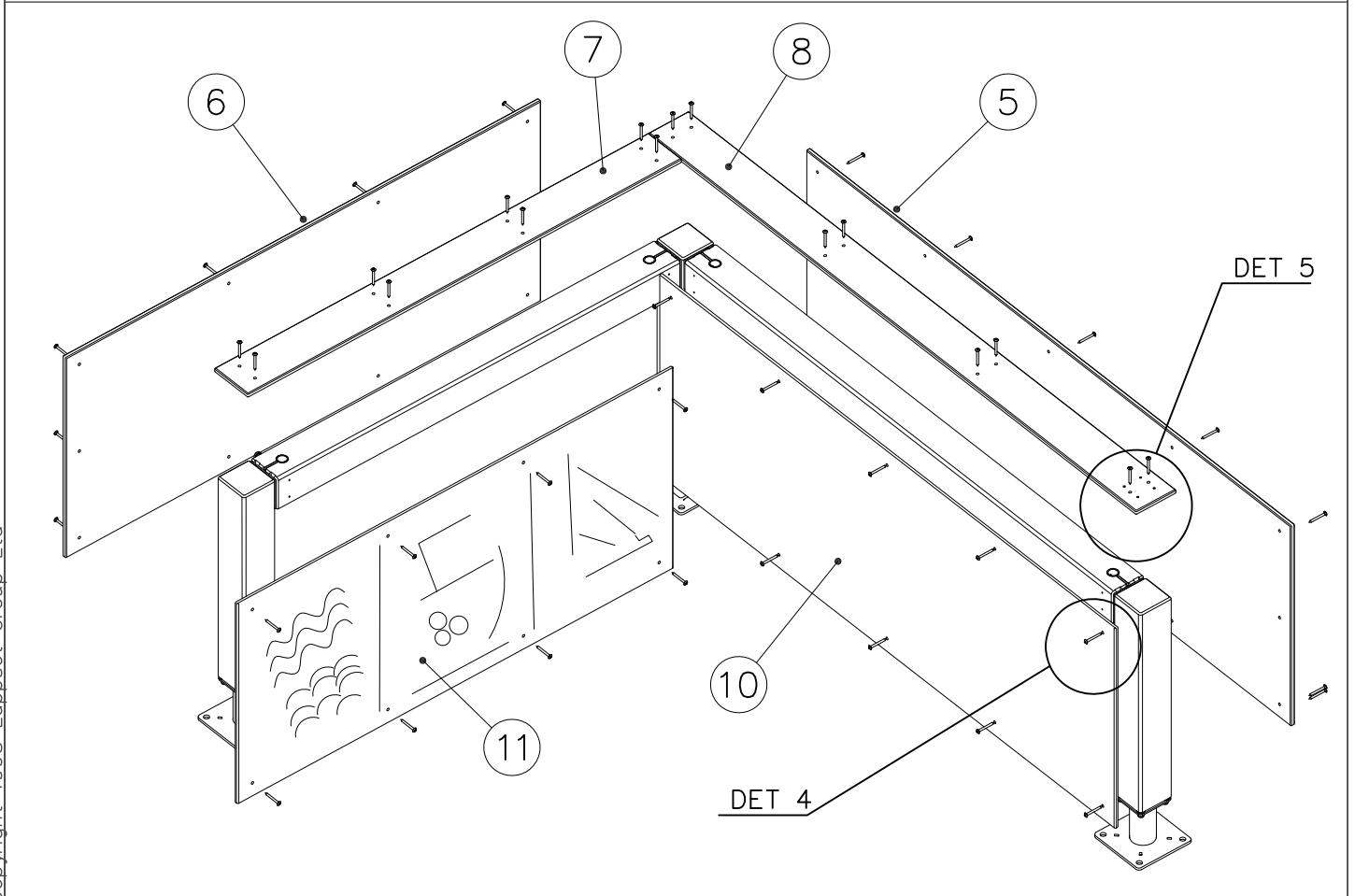
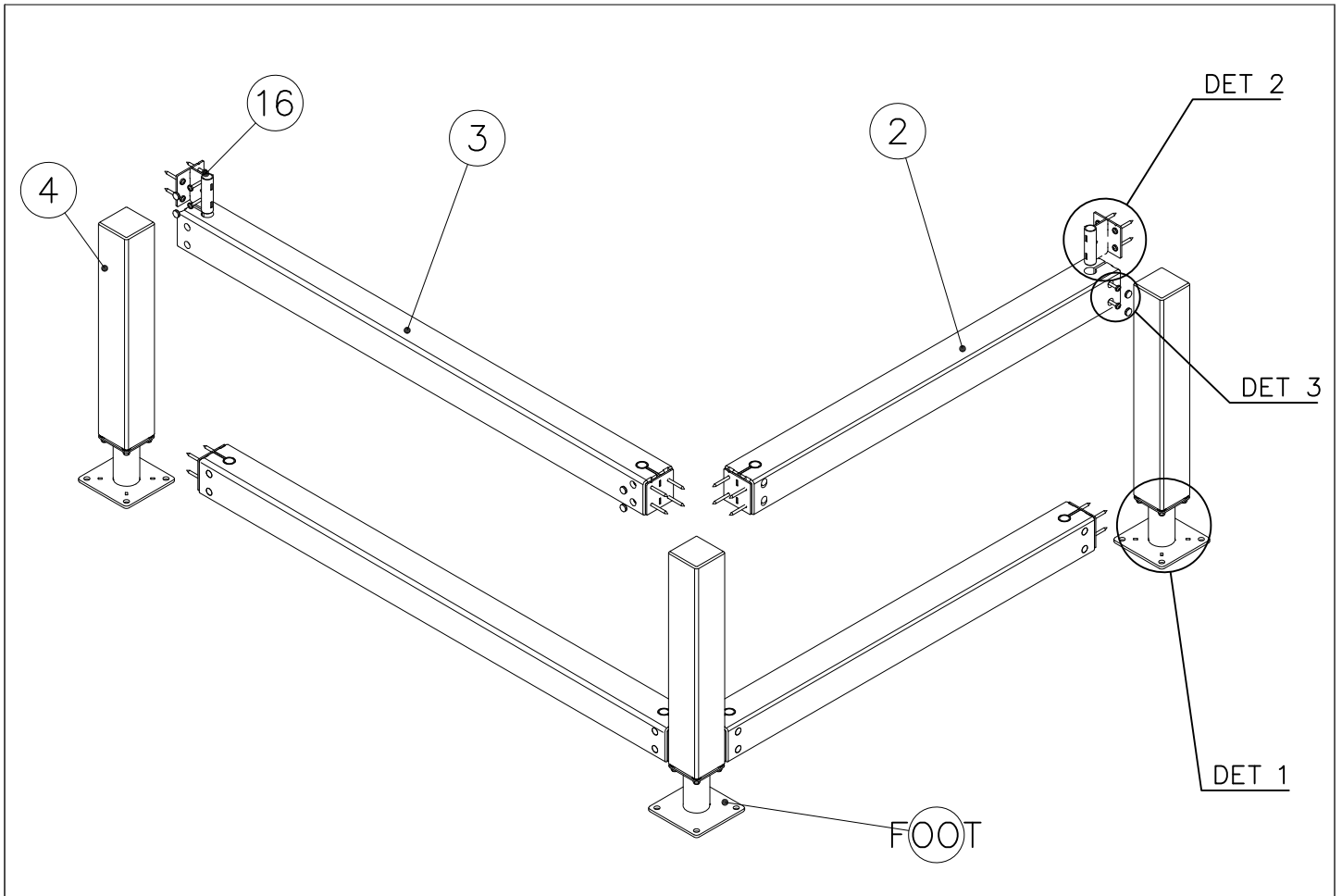


### FOOT OPTIONS

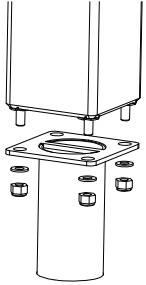
709261+		709262+	
<input type="radio"/> 910330	PCS	<input type="radio"/> 910567	PCS
SURFACE	3	CONCRETE	3
			
152x200x200		117x117x715	

----- Falling Space 18.8 m<sup>2</sup>  
Max Falling Height 920 mm

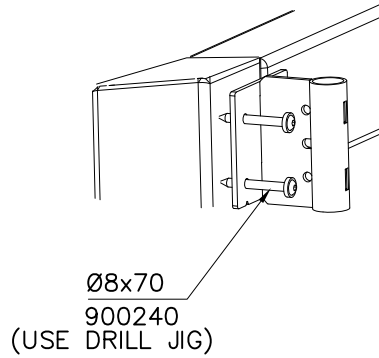




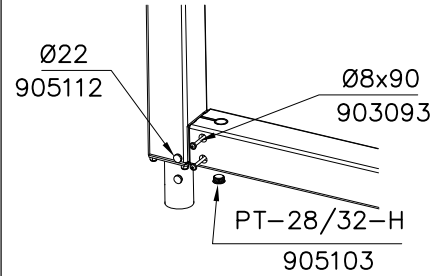
DET 1



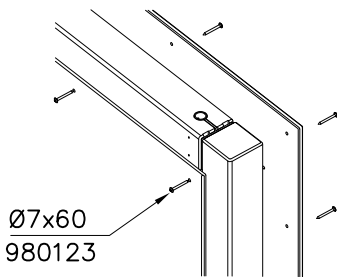
DET 2



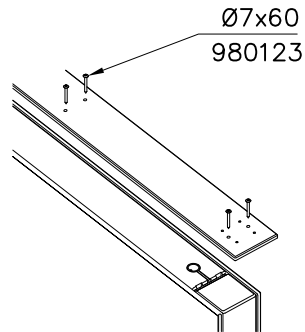
DET 3



DET 4

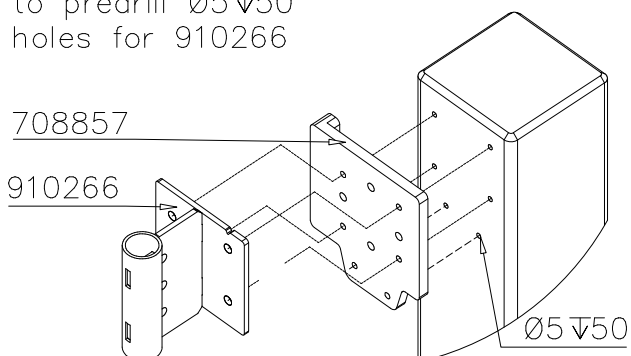


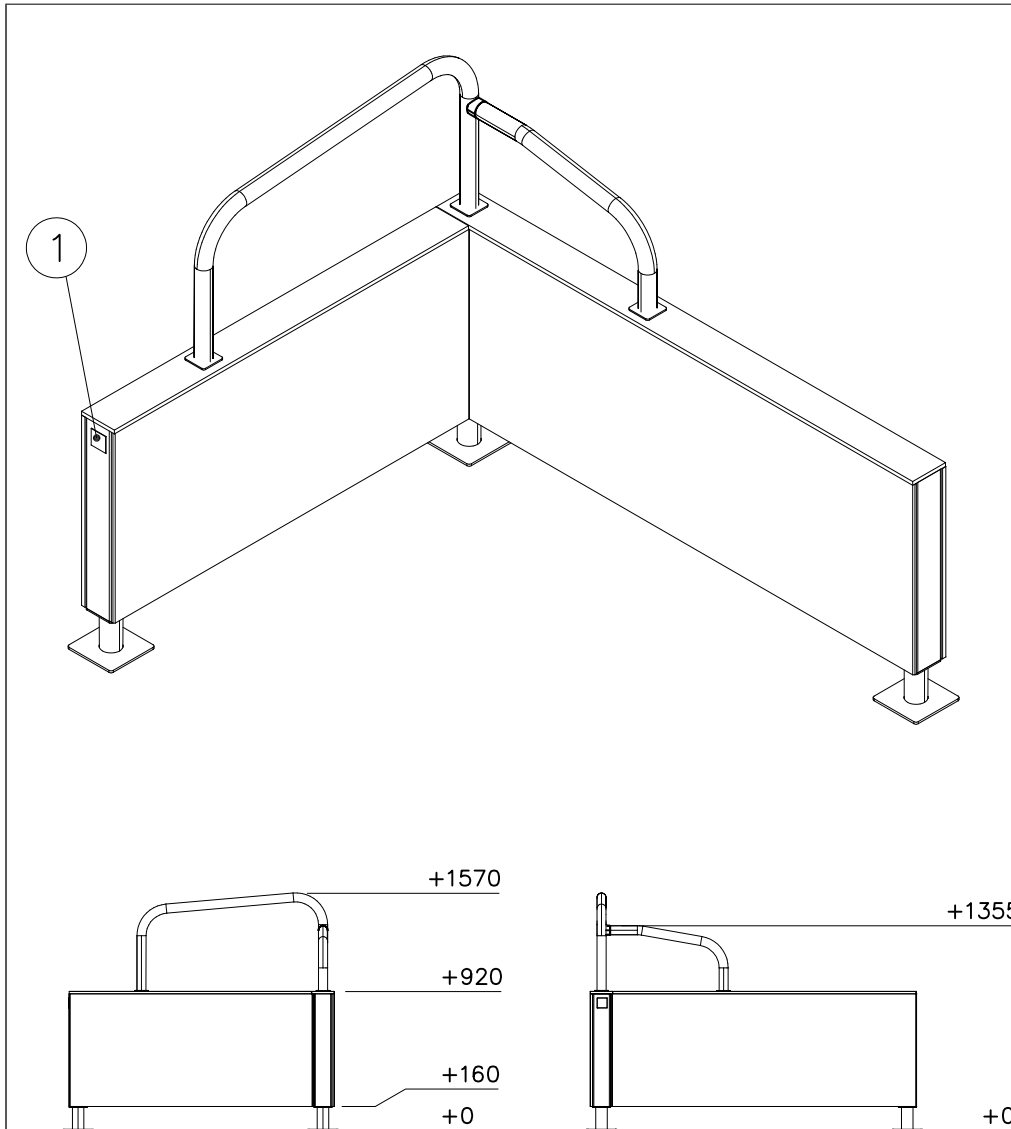
DET 5



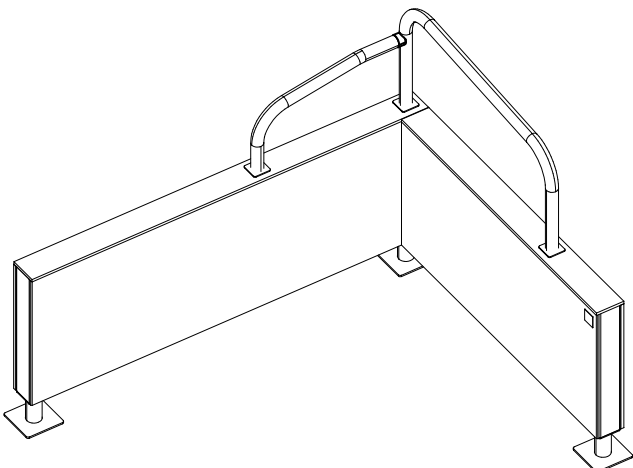
JIG DET A (USE DET 2)

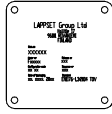

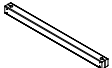

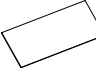
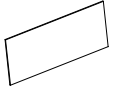

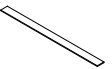
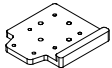
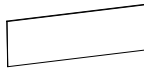



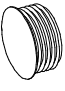

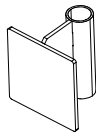

NOTE:  
Use drill jig 708857  
to predrill  $\text{Ø}5 \nabla 50$   
holes for 910266


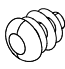
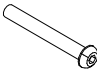
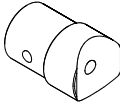
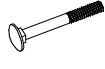




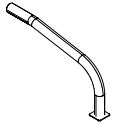
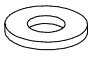
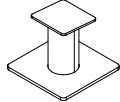

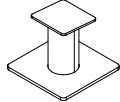

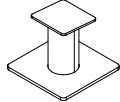





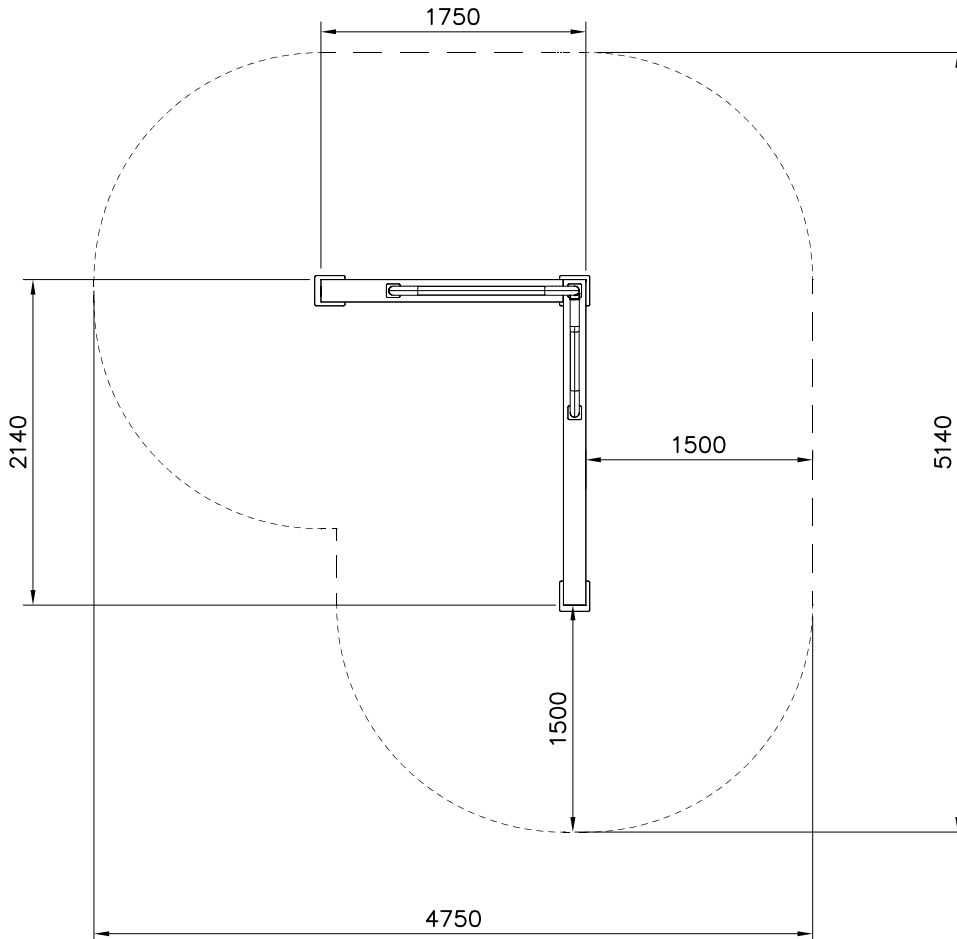
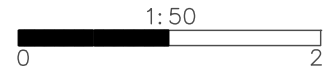
### INSTALLATION OF A SECOND HAND

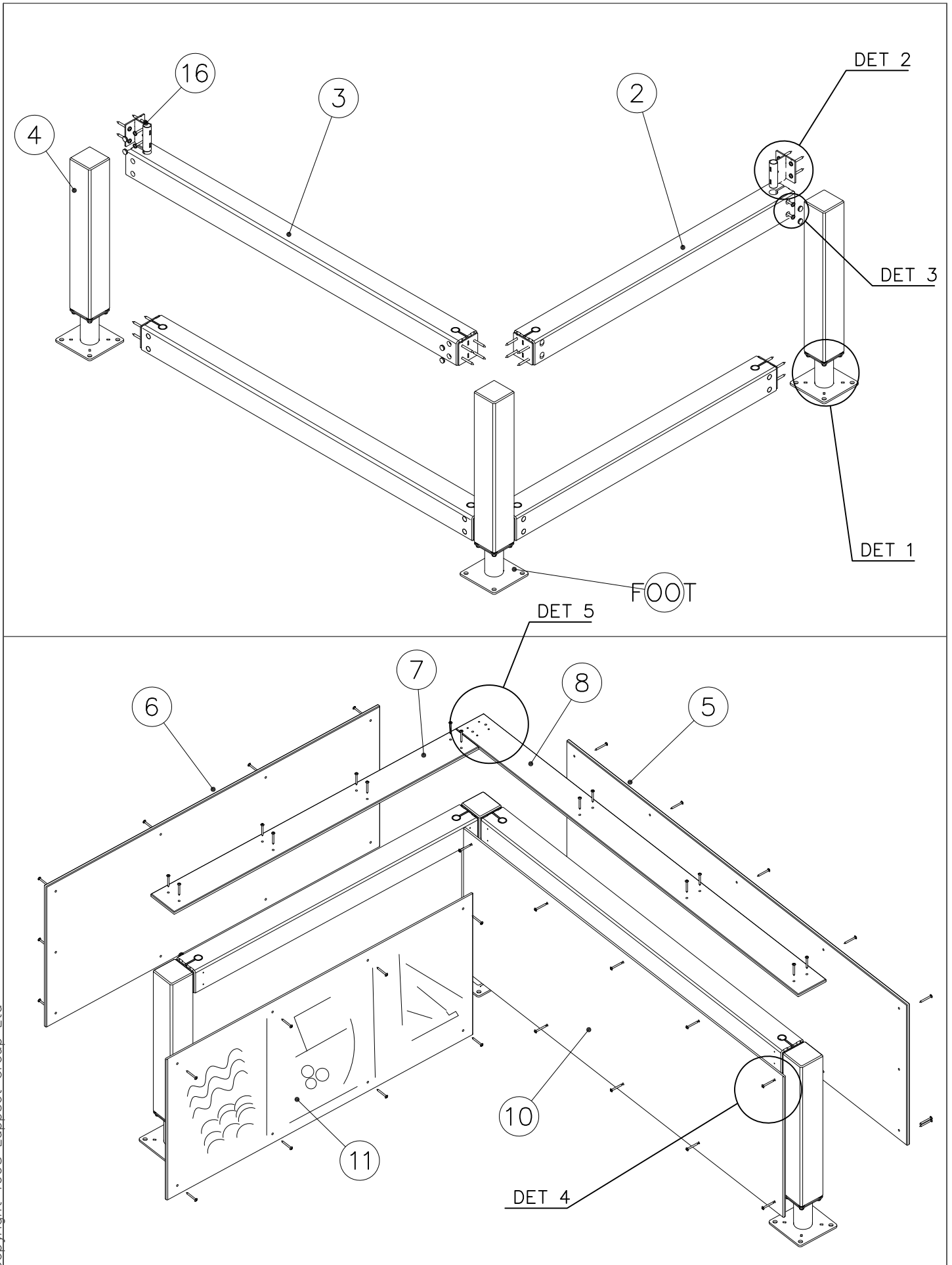


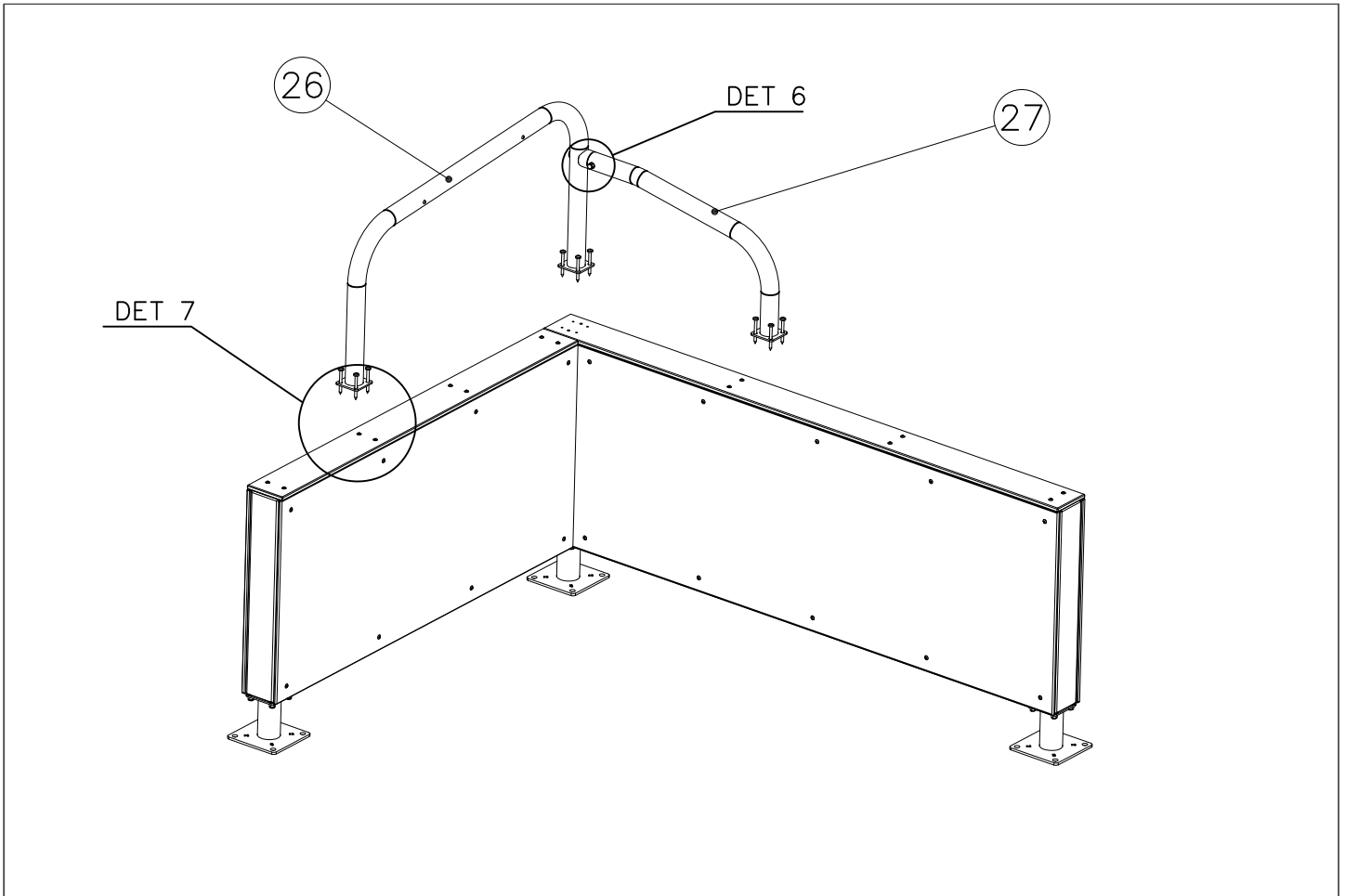
① 702286	PCS	② 707213	PCS
	1		2
65x65		118x118x1490	
③ 707517	PCS	④ 708137	PCS
	2		3
118x118x1892		118x118x745	
⑤ 708715	PCS	⑥ 708716	PCS
	1		1
15x745x2140		15x745x1753	
⑦ 708737	PCS	⑧ 708738	PCS
	1		1
15x148x1601		15x148x2153	
⑨ 708857	PCS	⑩ 911309	PCS
JIG	1	COLOR	1
			
20x133x149		12x745x2015	
⑪ 911311	PCS	⑫ 900240	PCS
MURAL	1		32
		Ø8x70	
12x745x1610			
⑬ 903093	PCS	⑭ 905103	PCS
	28		8
Ø8x90		PT-28/32-H	
⑮ 905112	PCS	⑯ 910266	PCS
	16		8
Ø22		90x108x118	
		⑰ 980123	PCS
			54
		Ø7x60	

<p>⑱ 900965 PCS 1</p>  <p>M10</p>	<p>⑲ 903533 PCS 4</p>  <p>SRL12</p>	<p>⑳ 904133 PCS 1</p>  <p>M10x80</p>	<p>㉑ 908069 PCS 1</p>  <p>Ø60x87.6</p>	<p>㉒ 909111 PCS 1</p>  <p>M12x100</p>	<p>㉓ 909248 PCS 1</p>  <p>M12</p>	<p>㉔ 980114 PCS 4</p>  <p>Ø4x20</p>		
<p>㉕ 909638 PCS 4</p>  <p>Ø20/10.5</p>	<p>㉖ 910254 PCS 1</p>  <p>Ø60x650x1290</p>	<p>㉗ 910262 PCS 1</p>  <p>Ø60x435x795</p>	<p>㉘ 980154 PCS 1</p>  <p>Ø24/13</p>	<p>FOOT OPTIONS</p> <p>709261+ 709262+</p> <table border="1"> <tr> <td> <p>○ 910330 PCS 3</p> <p>SURFACE</p>  <p>152x200x200</p> </td> <td> <p>○ 910567 PCS 3</p> <p>CONCRETE</p>  <p>117x117x715</p> </td> </tr> </table>			<p>○ 910330 PCS 3</p> <p>SURFACE</p>  <p>152x200x200</p>	<p>○ 910567 PCS 3</p> <p>CONCRETE</p>  <p>117x117x715</p>
<p>○ 910330 PCS 3</p> <p>SURFACE</p>  <p>152x200x200</p>	<p>○ 910567 PCS 3</p> <p>CONCRETE</p>  <p>117x117x715</p>							

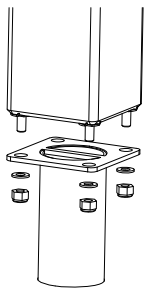
----- Falling Space 18.8 m<sup>2</sup>  
Max Falling Height 1570 mm



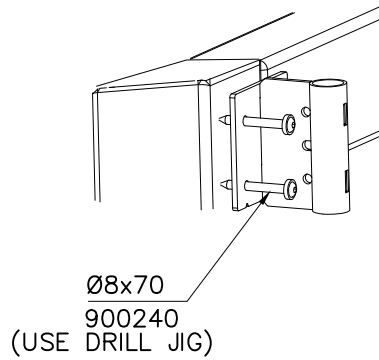




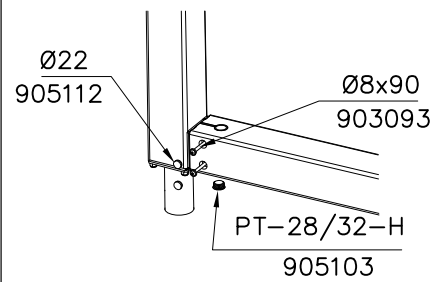
DET 1



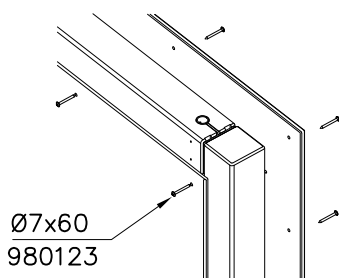
DET 2



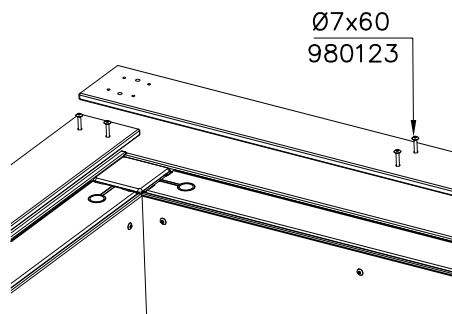
DET 3



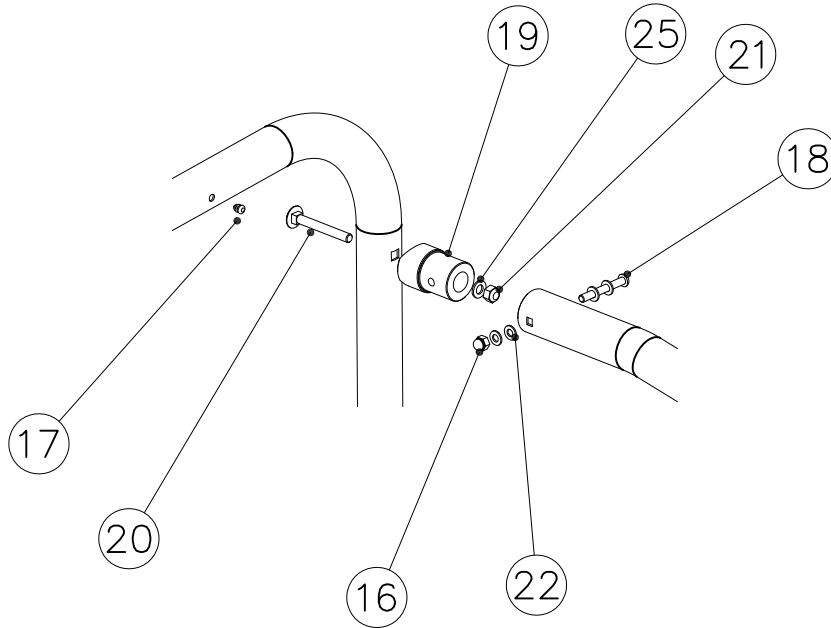
DET 4



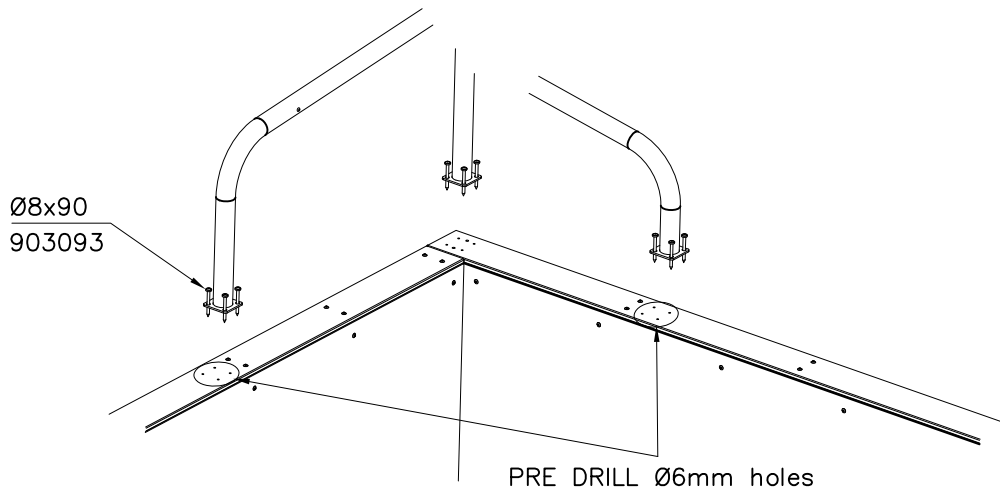
DET 5



DET 6

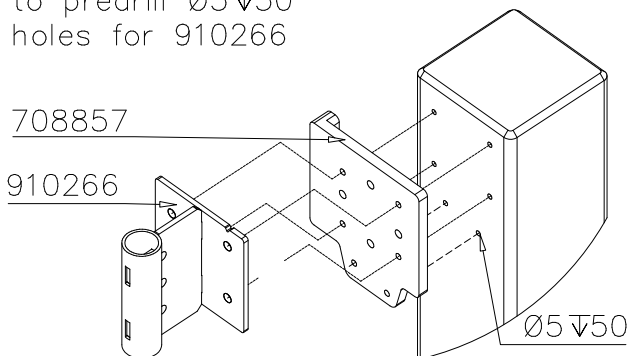


DET 7

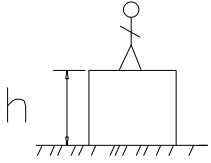


JIG DET A (USE DET 2)

NOTE:  
Use drill jig 708857  
to predrill  $\text{Ø5} \nabla 50$   
holes for 910266







$h < 1600$

Totally hard surfaces or materials with very limited impact attenuating properties.

Case by case risk assessment is needed including e.g. evaluation whether there is forced movement, what is the intended exercise and where will the product be installed.

Materials with significant impact attenuating properties.

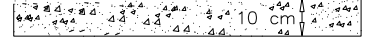
Totally hard surfaces.  
E.g. concrete or asphalt



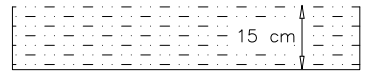
Materials with very limited impact attenuating properties.  
E.g. wood



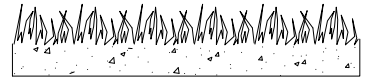
fine gravel 0–8 mm



Unsorted sand/ topsoil

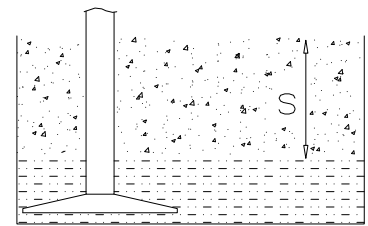


Lawn



Loose fill material

E.g.  
sand/gravel 0,25...8 mm  $D_{60}/D_{10} < 3,0$   
Woodchips 5...30 mm  
bark 20...80 mm



$\frac{S}{30 \text{ cm}}$        $\frac{h}{< 3,0 \text{ m}}$

$h = 1600-$

$h < 3000$

Synthetic granulates

$\frac{S}{\text{mm}}$	$\frac{h}{\text{m}}$
40 mm	$\sim > 1,6 \dots \sim < 1,8$ m
50 mm	$\sim > 1,8 \dots \sim < 2,25$ m
55 mm	$\sim > 2,25 \dots \sim < 2,4$ m
60 mm	$\sim > 2,4 \dots \sim < 2,55$ m
70 mm	$\sim > 2,55 \dots \sim < 3,0$ m

Note. For accurate values, see manufacturer's instructions.

