

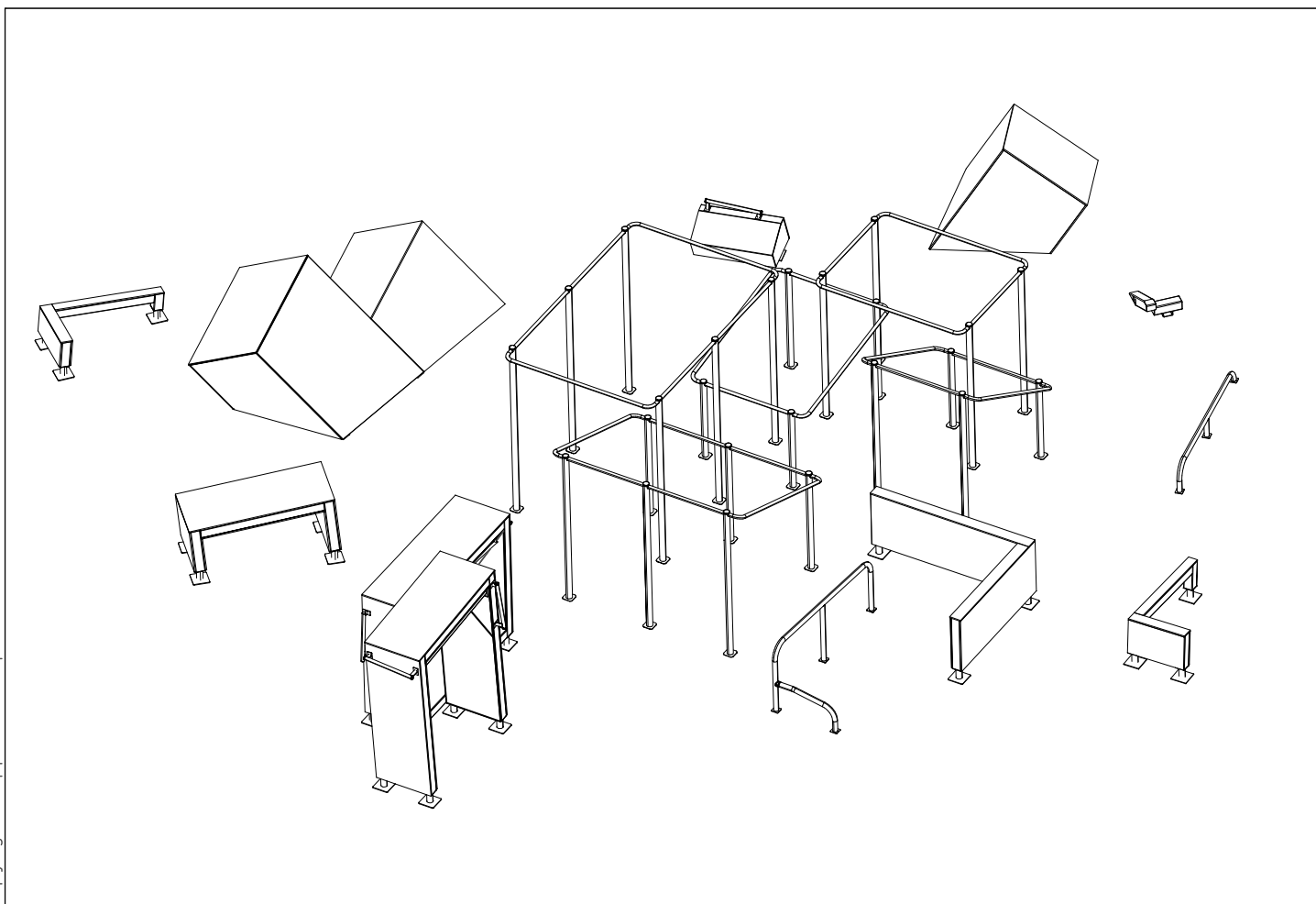
LAPPSET®

DASH PARKOUR

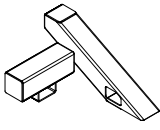

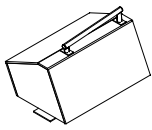

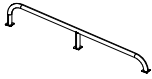

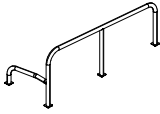

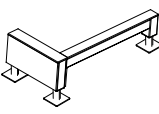

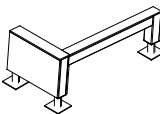

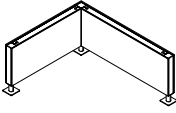

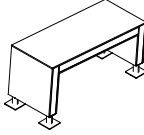

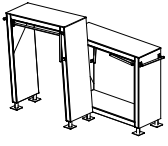

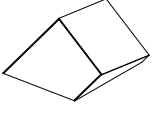

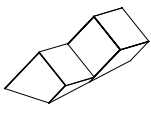

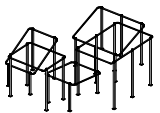

ASENNUSOHJE
MONTERINGSANSVISNING
INSTALLATION INSTRUCTION
AUFBAUANLEITUNG
NOTICE D'INSTALLATION

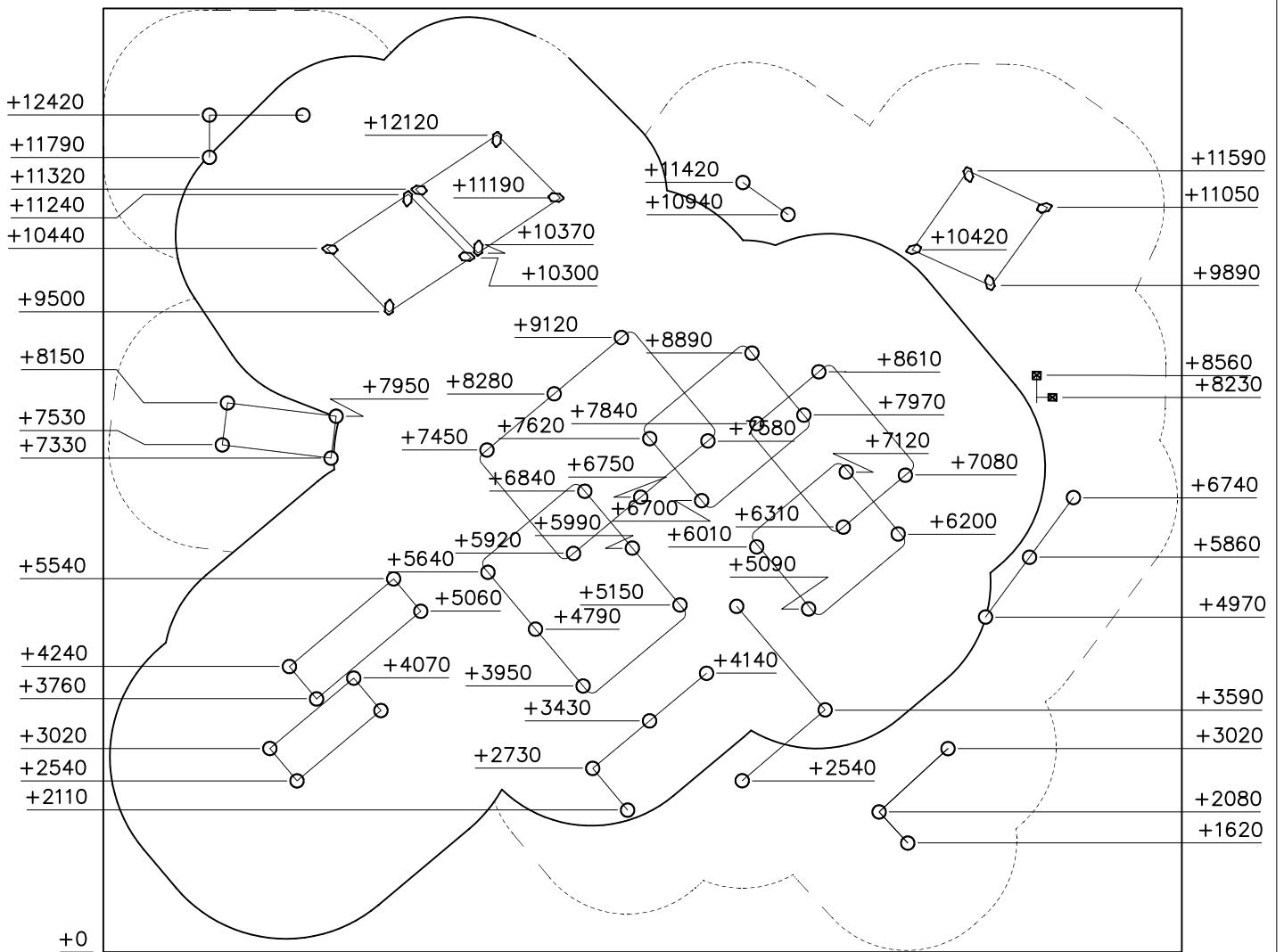
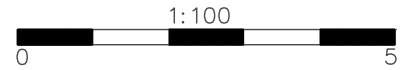
DATE: 20.1.2020

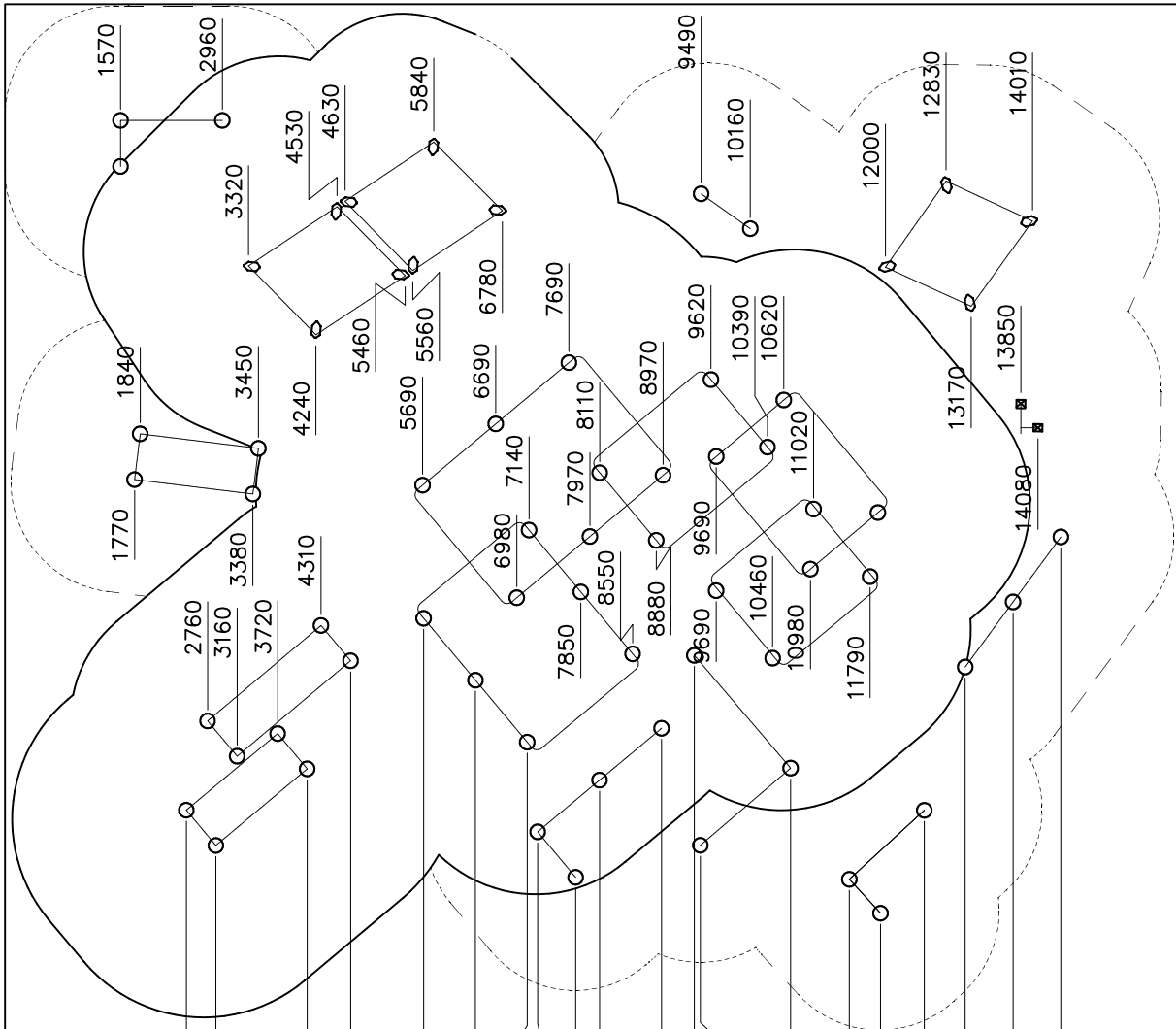
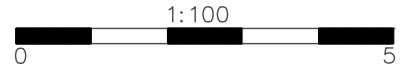
081787M



DATE: 20.1.2020

081701M  	PCS 1	081702M  	PCS 1	081710M  	PCS 1	081712M  	PCS 1	081720M  	PCS 1	081721M  	PCS 1
081722M  	PCS 1	081730M  	PCS 1	081738M  	PCS 1	081740M  	PCS 1	081743M  	PCS 1	081752M  	PCS 1
	PCS		PCS		PCS		PCS		PCS		PCS
	PCS		PCS		PCS		PCS		PCS		PCS
	PCS		PCS		PCS		PCS		PCS		PCS
	PCS		PCS		PCS		PCS		PCS		PCS
	PCS		PCS		PCS		PCS		PCS		PCS

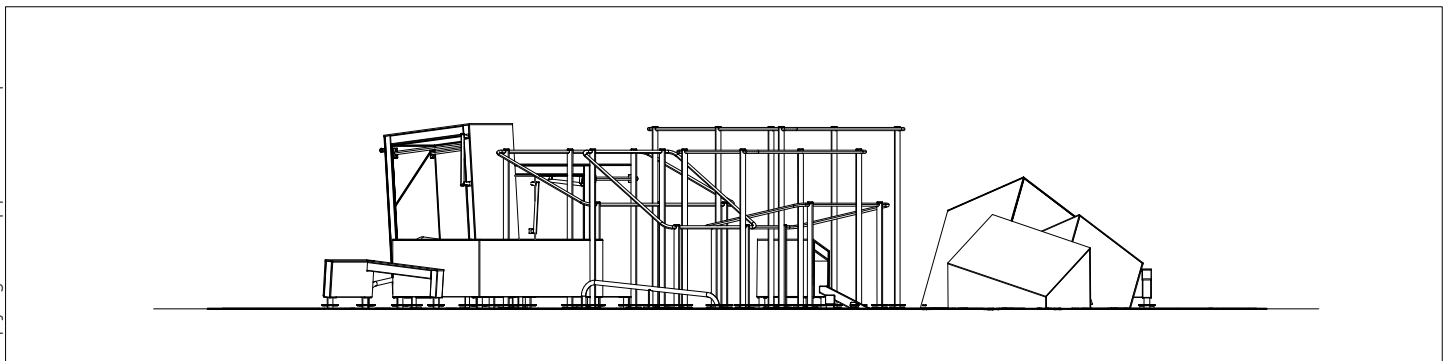
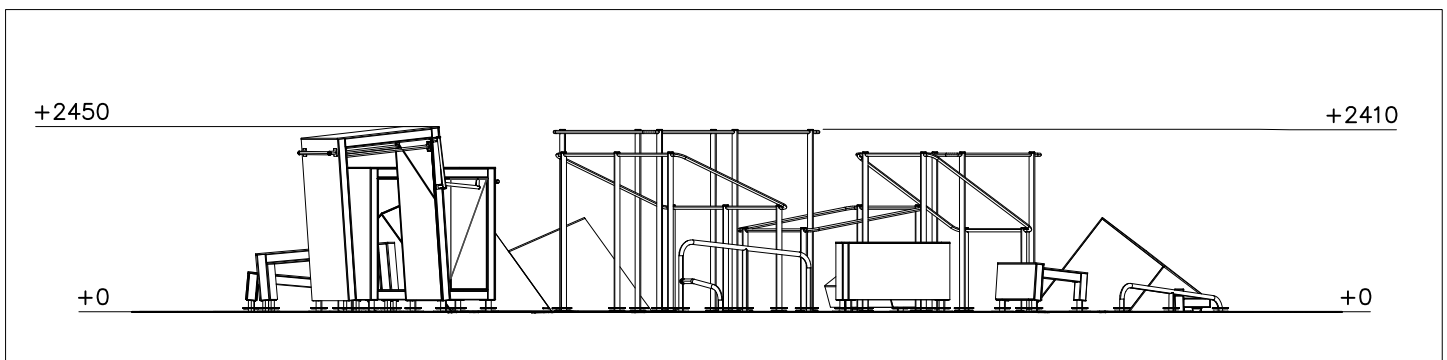
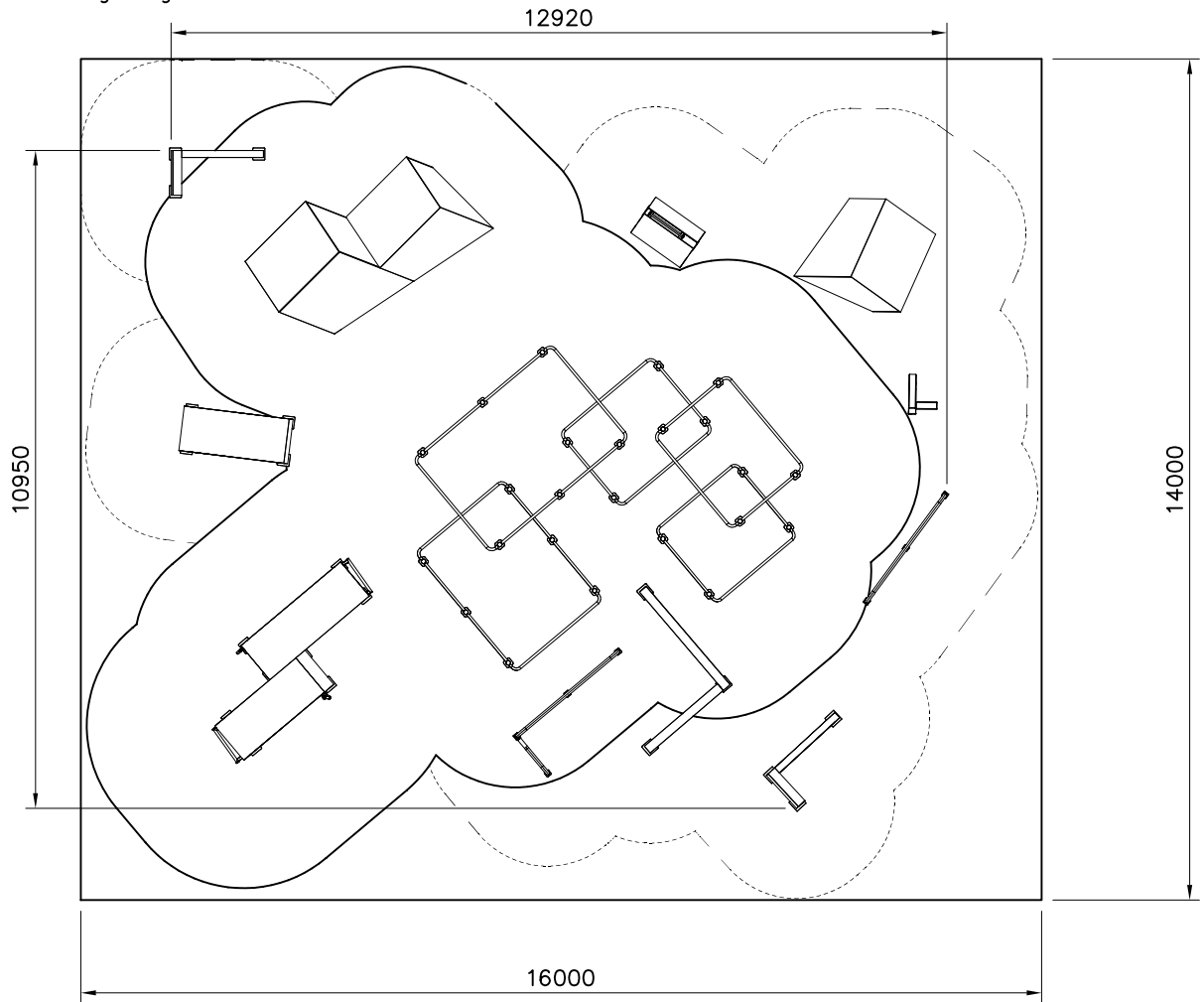




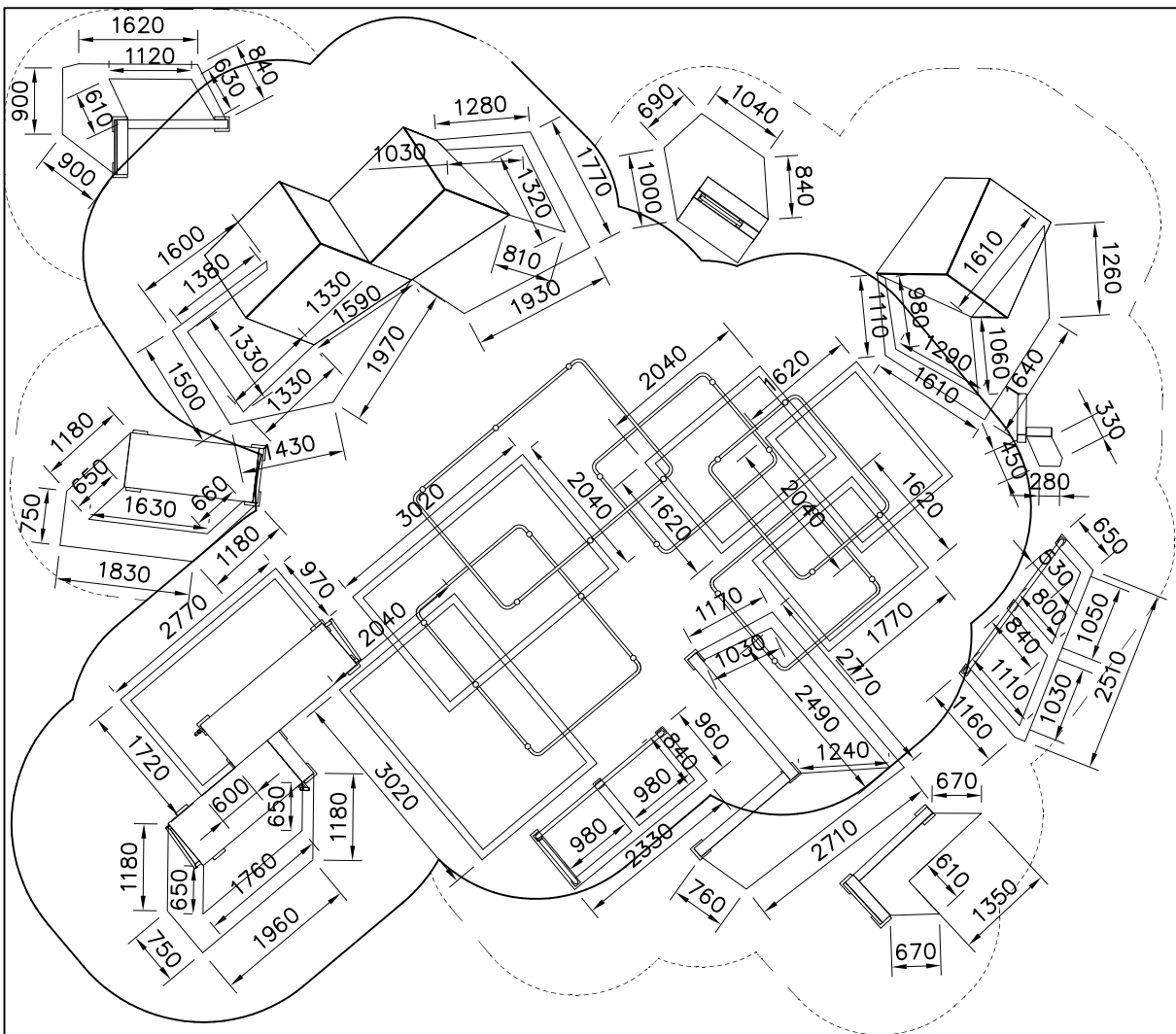
- 0
- 2470
- 2870
- 3160
- 3720
- 4120
- 4710
- 5710
- 6410
- 7120
- 7260
- 7780
- 8100
- 8950
- 9400
- 9480
- 10710
- 11510
- 11930
- 12530
- 13090
- 13740
- 14390

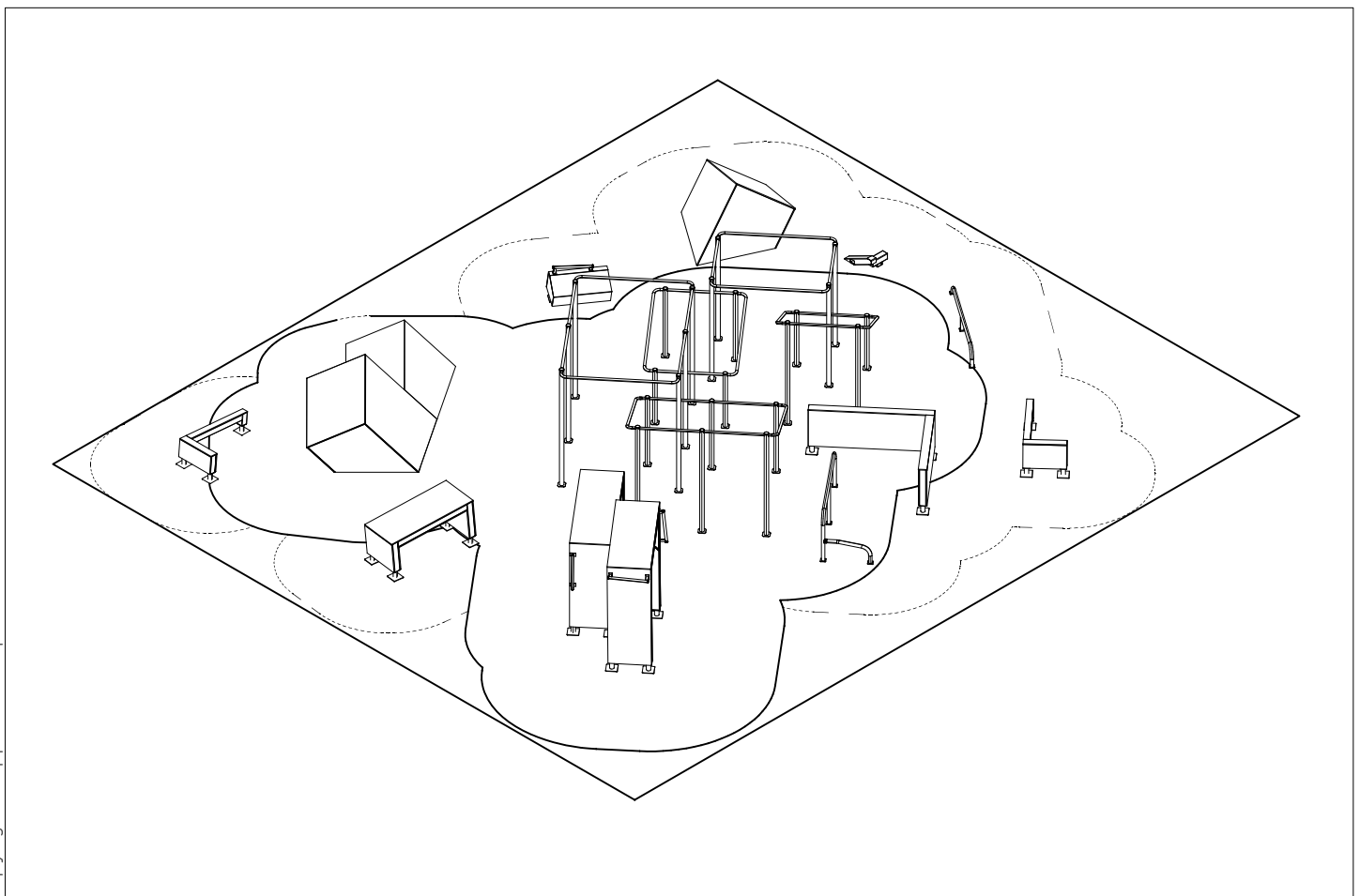
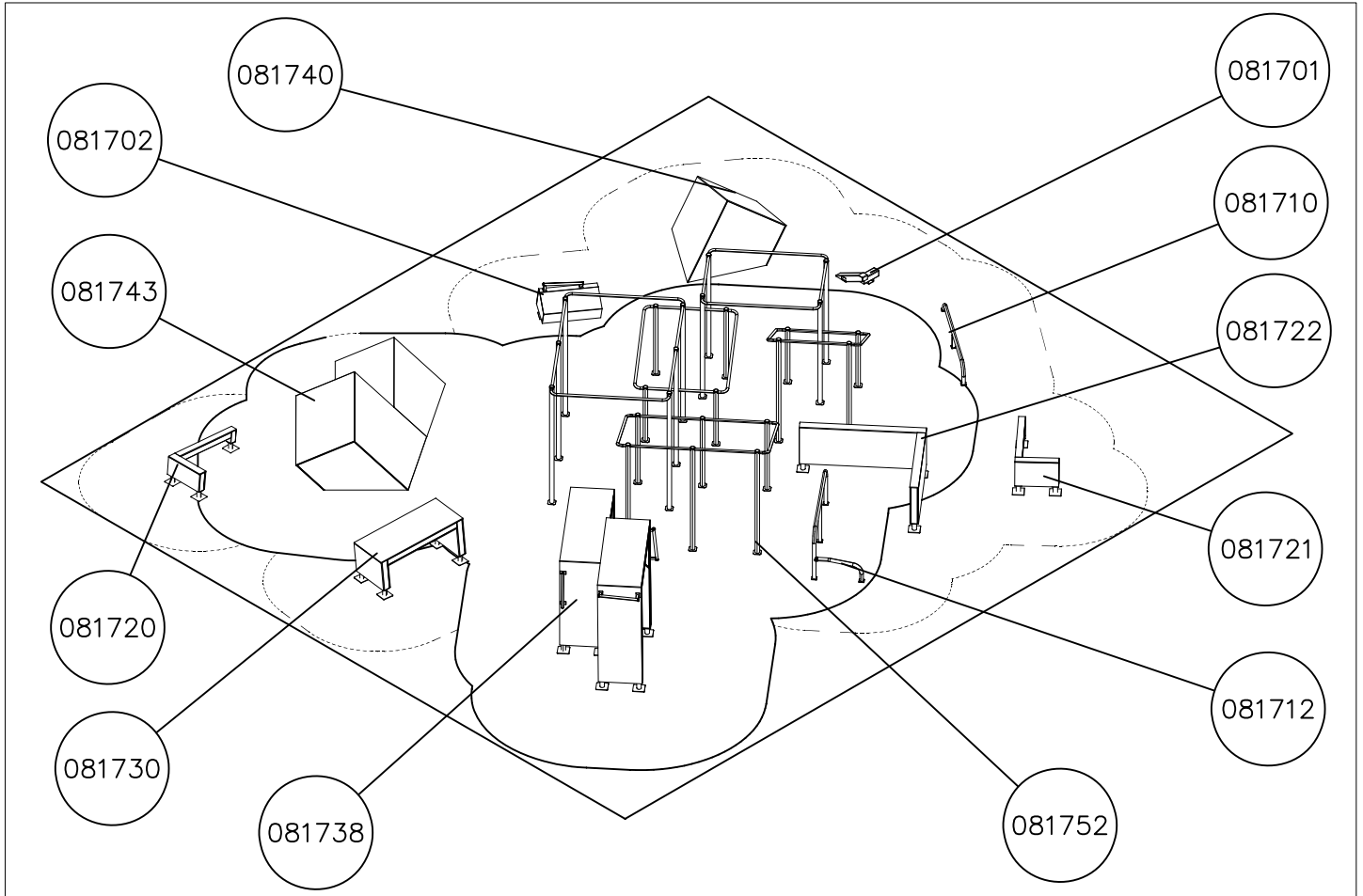
- EN Impact Attenuating Surface (IAS) 118.2 m²
- Falling Space 182.7 m²
- Max Falling Height 2450 mm

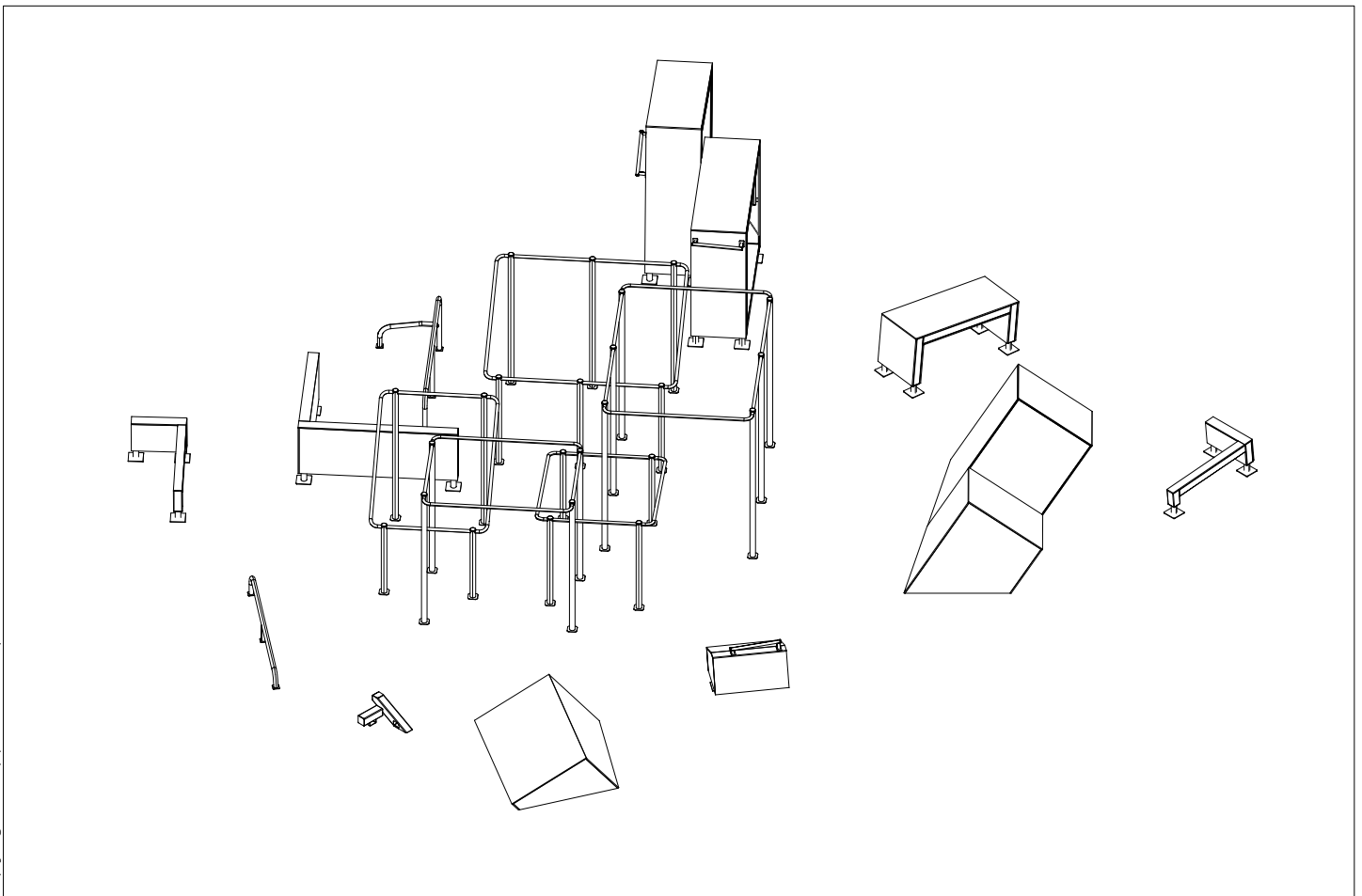
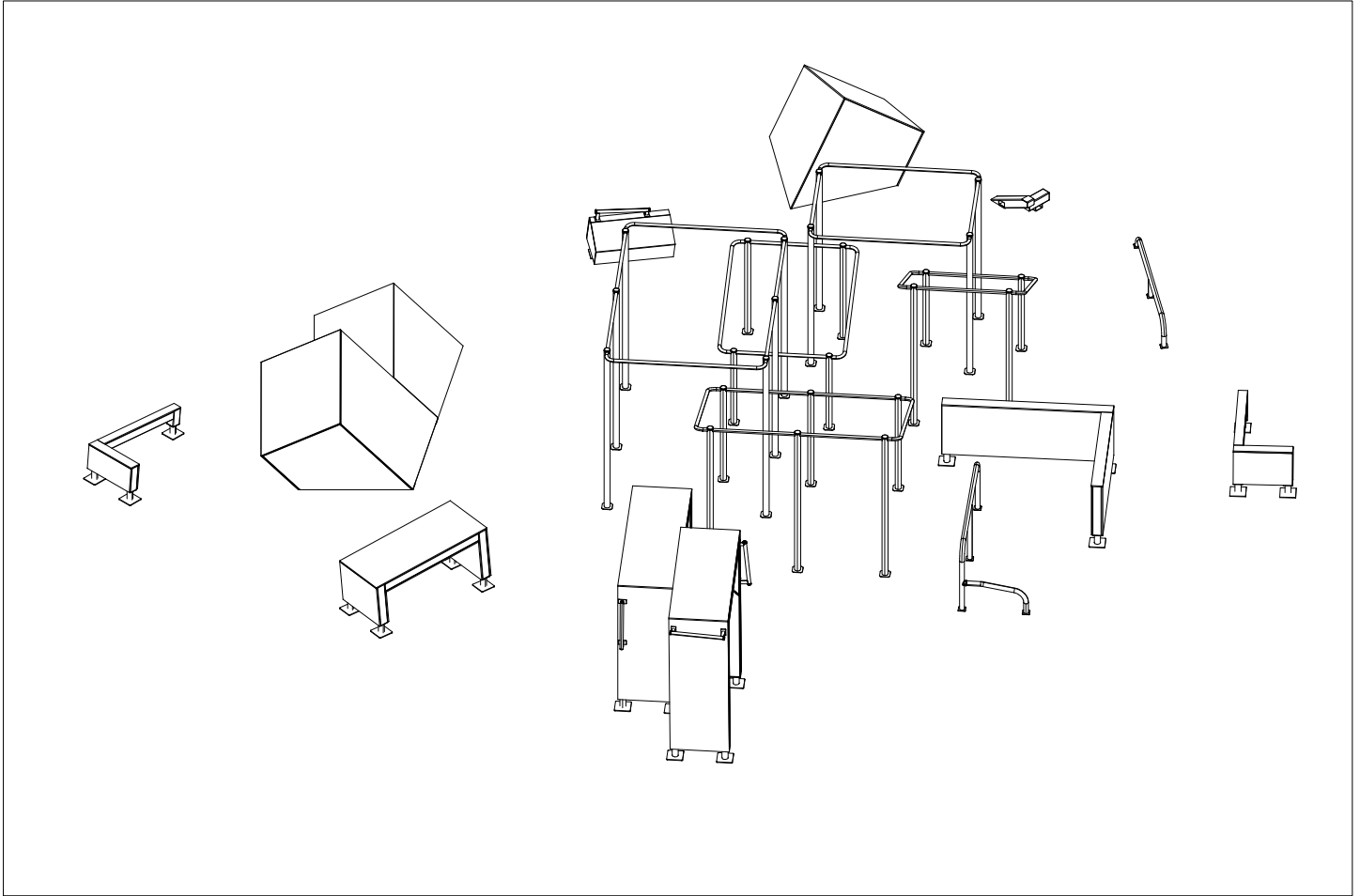
1:125

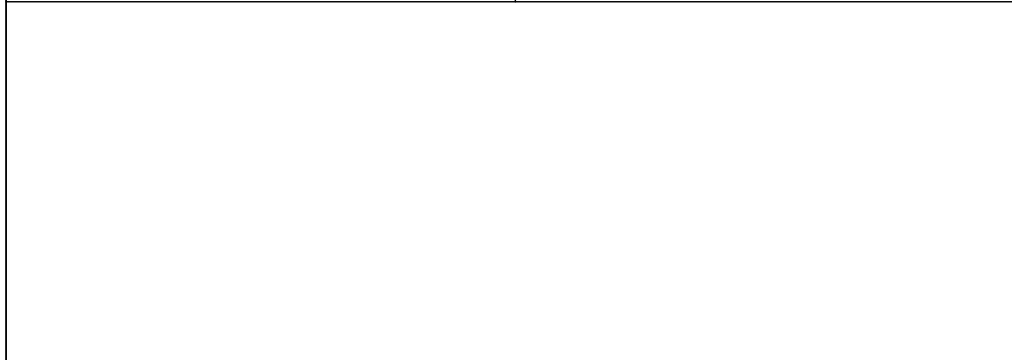
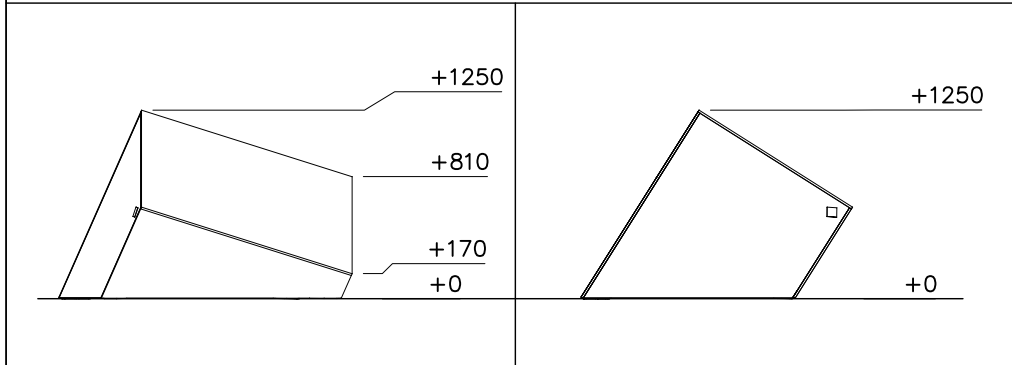
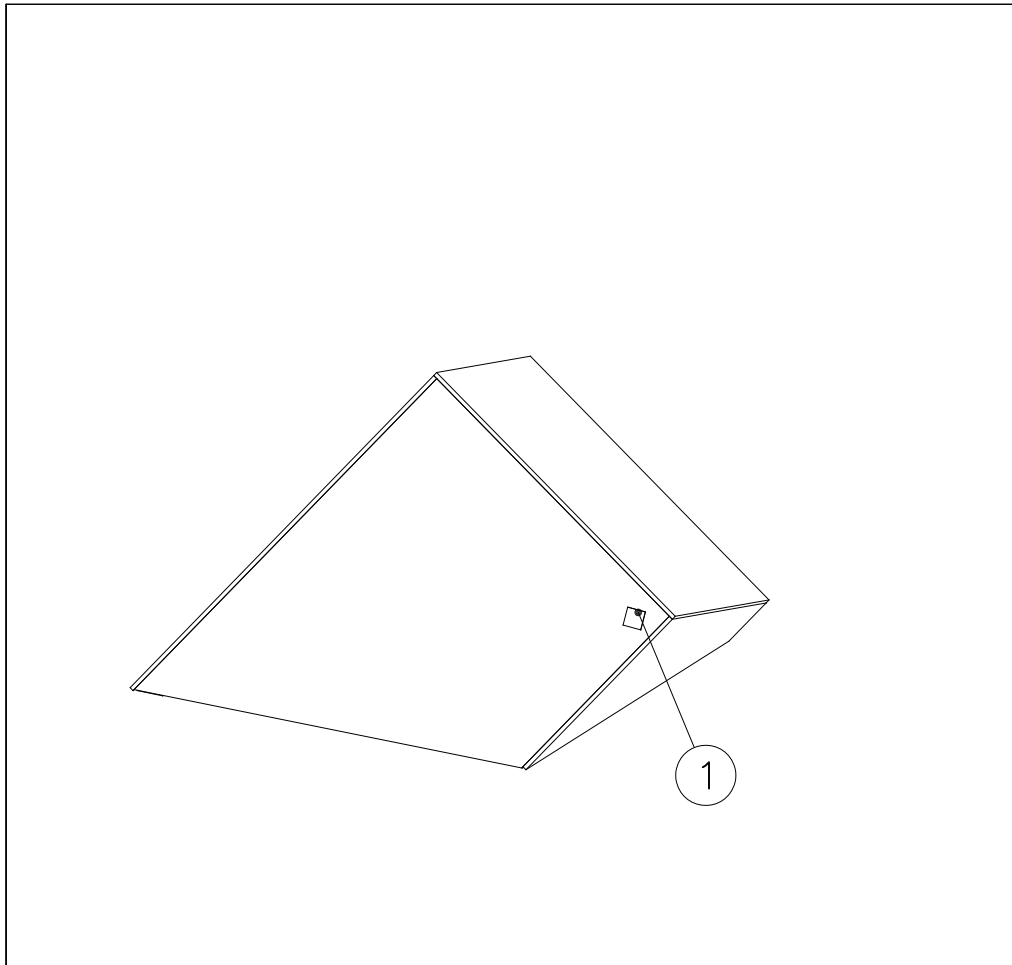


Groudmarks














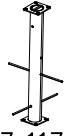
① 702341 90x50	PCS 1	② 709159 15x1200x1486	PCS 1
③ 709164 18x80x1135	PCS 2	④ 709165 18x80x1420	PCS 2
⑤ 709168 15x1486x1545	PCS 1	⑥ 709169 15x1170x1540	PCS 1
⑦ 709170 15x1170x1620	PCS 1	⑧ 709171 15x990x1170	PCS 1
⑨ 902233 M10x30	PCS 24	⑩ 905112 Ø22	PCS 24
⑪ 909637 M10	PCS 24	⑫ 909638 Ø20/10.5	PCS 48
⑬ 909876 M8x40	PCS 48	⑭ 910744 154x1160x1445	PCS 1

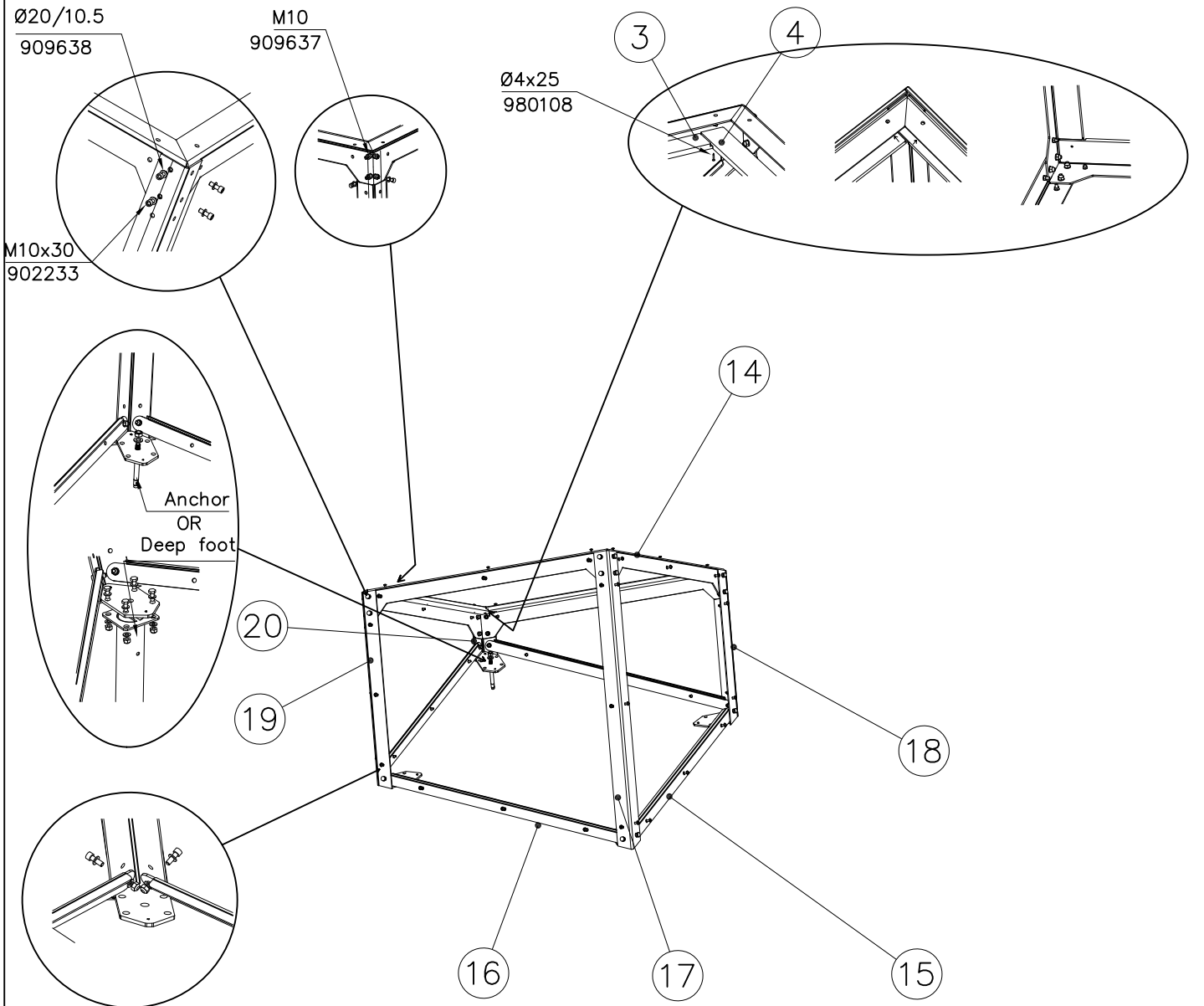
⑮ 910768 30x60x1349	PCS 2	⑯ 910769 30x60x1504	PCS 2	⑰ 910789 L 1528	PCS 1	⑱ 910790 L 796	PCS 1	⑲ 910791 L 1016	PCS 1	⑳ 910792 L 254	PCS 1
----------------------------	----------	----------------------------	----------	------------------------	----------	-----------------------	----------	------------------------	----------	-----------------------	----------

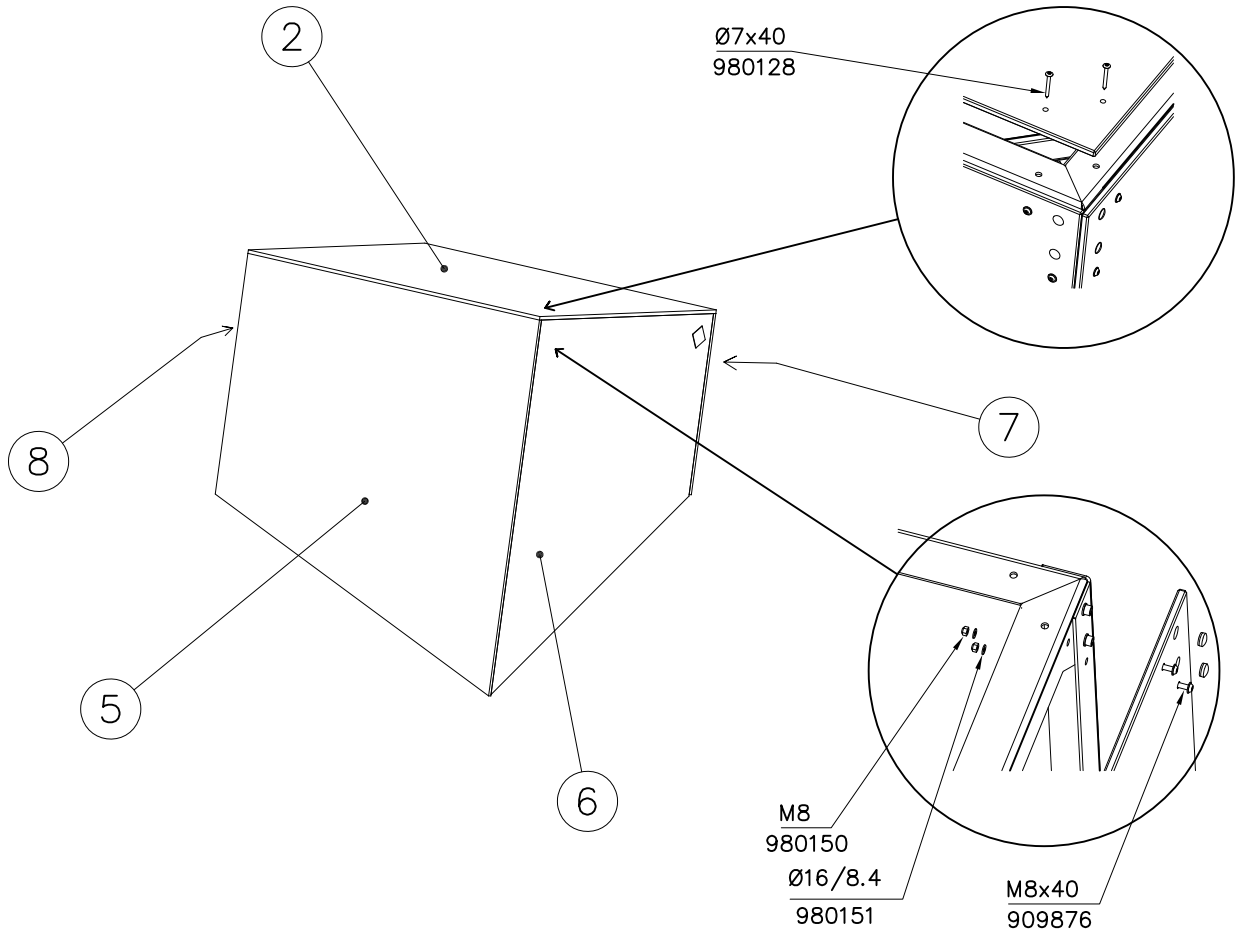
②1	980108	PCS	②2	980128	PCS	②3	980150	PCS	②4	980151	PCS
		4			12			48			48
	Ø4x25			Ø7x40			M8			Ø16/8.4	

FOOT OPTION

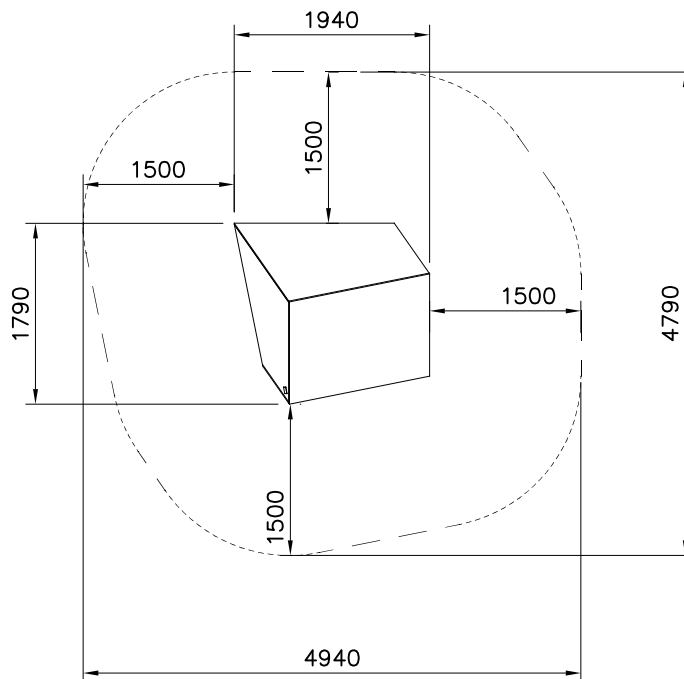
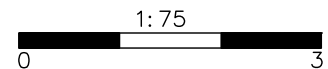
709387+

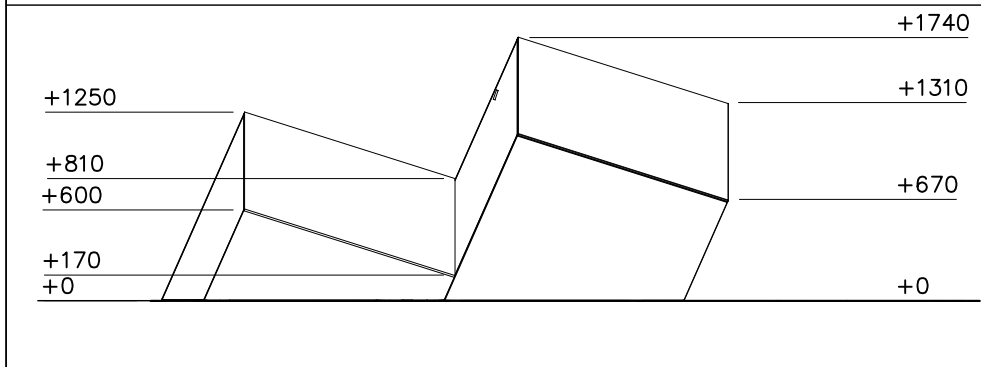
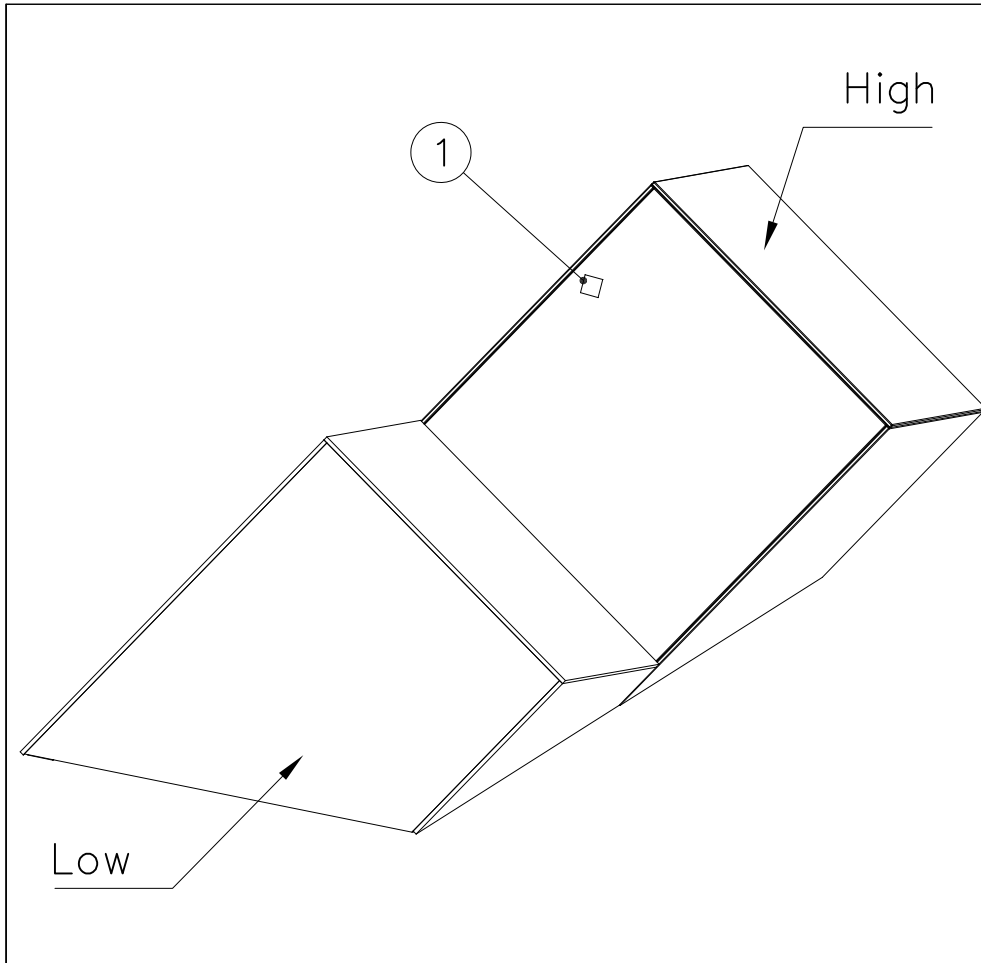
○	709386	PCS	○	910567	PCS
	SURFACE	1		CONCRETE	4
					
	M16x170			117x117x715	

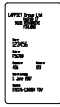
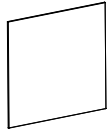
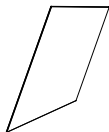
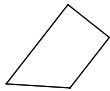

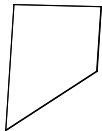
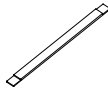

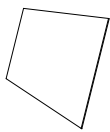
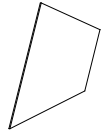
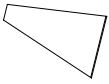
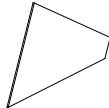
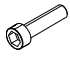






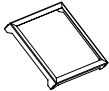

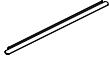




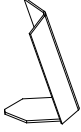
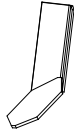

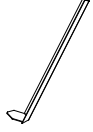

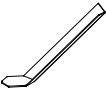




----- Falling Space 19.7 m²
Max Falling Height 1250 mm







① 702341	PCS	② 709159	PCS
	1		2
90x50		15x1200x1486	
③ 709160	PCS	④ 709161	PCS
	1		1
15x1486x2174		15x1170x2170	
⑤ 709162	PCS	⑥ 709163	PCS
	1		1
15x1376x1486		15x1170x1620	
⑦ 709164	PCS	⑧ 709165	PCS
	4		4
18x80x1135		18x80x1420	
⑨ 709168	PCS	⑩ 709169	PCS
	1		1
15x1486x1545		15x1170x1540	
⑪ 709170	PCS	⑫ 709171	PCS
	1		1
15x1170x1620		15x990x1170	
⑬ 902233	PCS	⑭ 905112	PCS
	48		48
M10x30		Ø22	

⑮ 909637	PCS	⑯ 909638	PCS	⑰ 909876	PCS	⑱ 910744	PCS	⑲ 910768	PCS	⑳ 910769	PCS
	48		96		88		2		4		4
M10		Ø20/10.5		M8x40		154x1160x1445		30x60x1349		30x60x1504	

⑳ 910789	PCS 1	㉑ 910790	PCS 1	㉒ 910791	PCS 1	㉓ 910792	PCS 1	㉔ 910793	PCS 1	㉕ 910794	PCS 1
											
L 1528		L 796		L 1016		L 254		L 2158		L 1425	
㉖ 910795	PCS 1	㉗ 910796	PCS 1	㉘ 980108	PCS 8	㉙ 980128	PCS 29	㉚ 980150	PCS 88	㉛ 980151	PCS 88
											
L 1646		L 884		Ø4x25		Ø7x40		M8		Ø16/8.4	

709387+

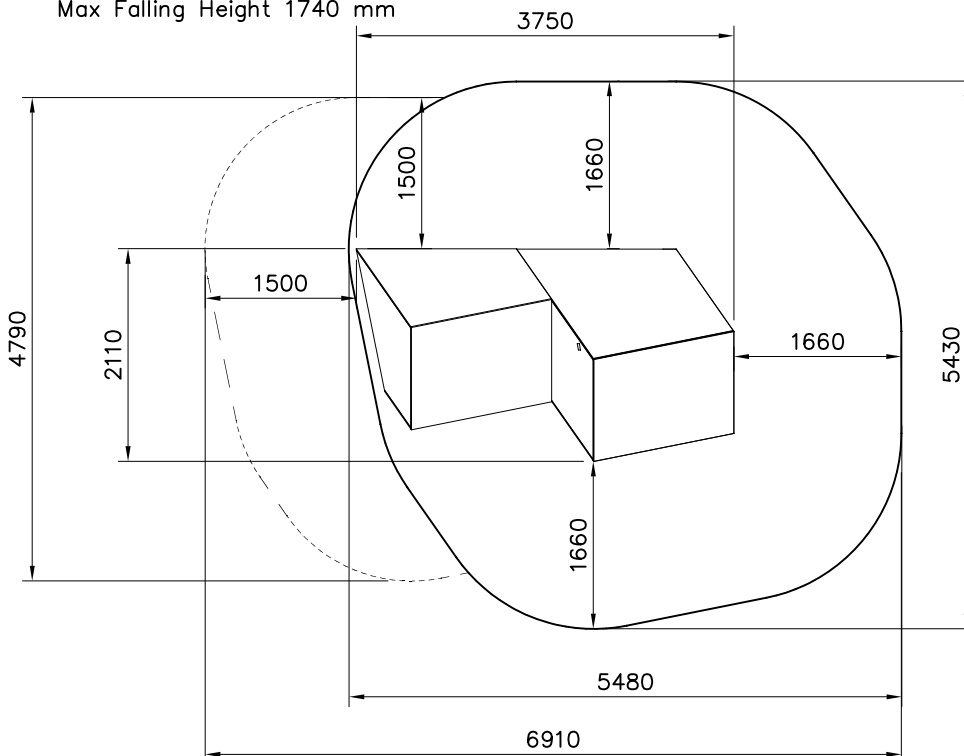
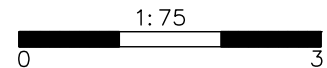
○ 709386	PCS	○ 910567	PCS
SURFACE	2	CONCRETE	8
			
M16x170		117x117x715	

FOOT OPTION

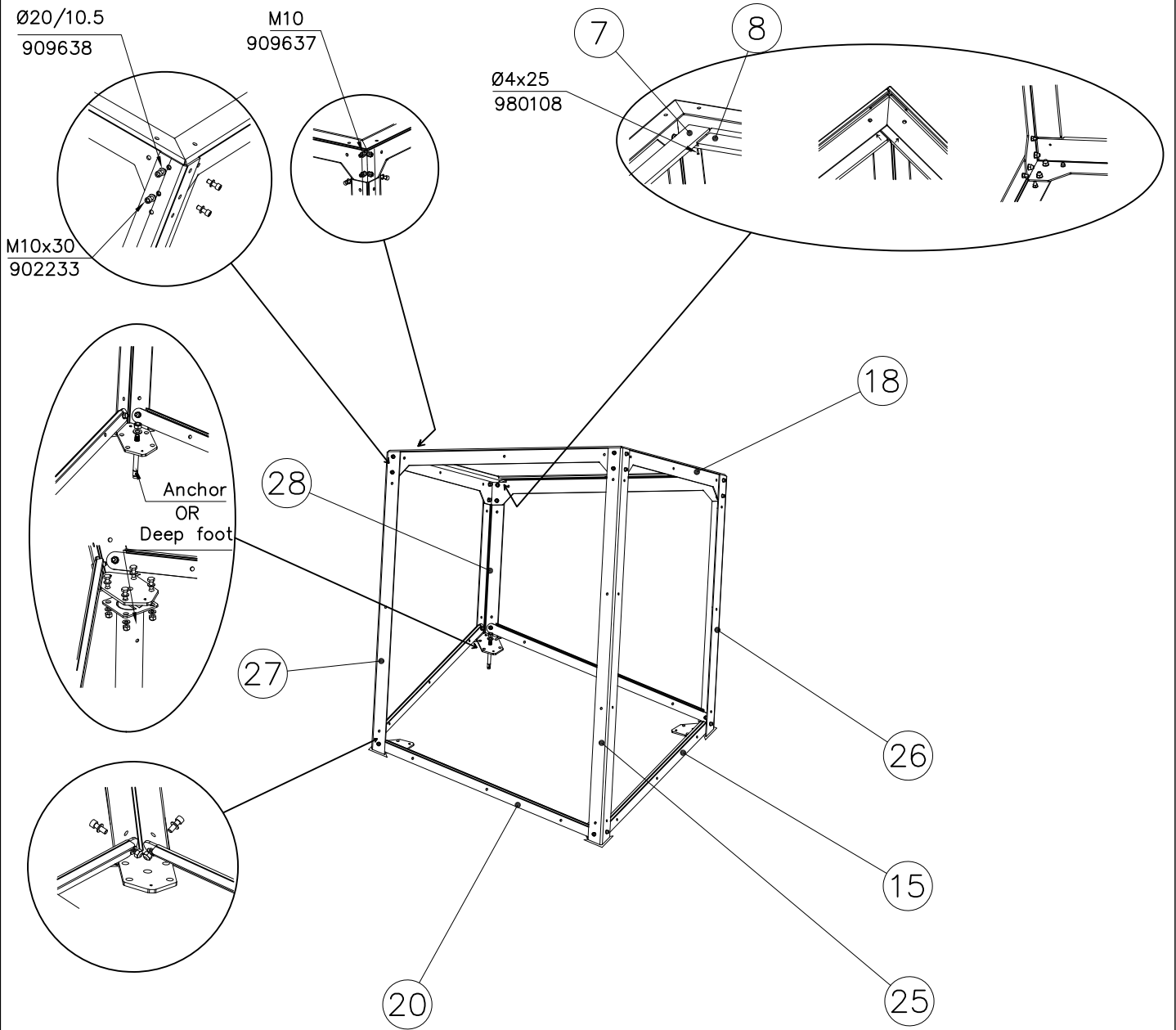
—— EN Impact Attenuating Surface (IAS) 24.4 m²

----- Falling Space 31 m²

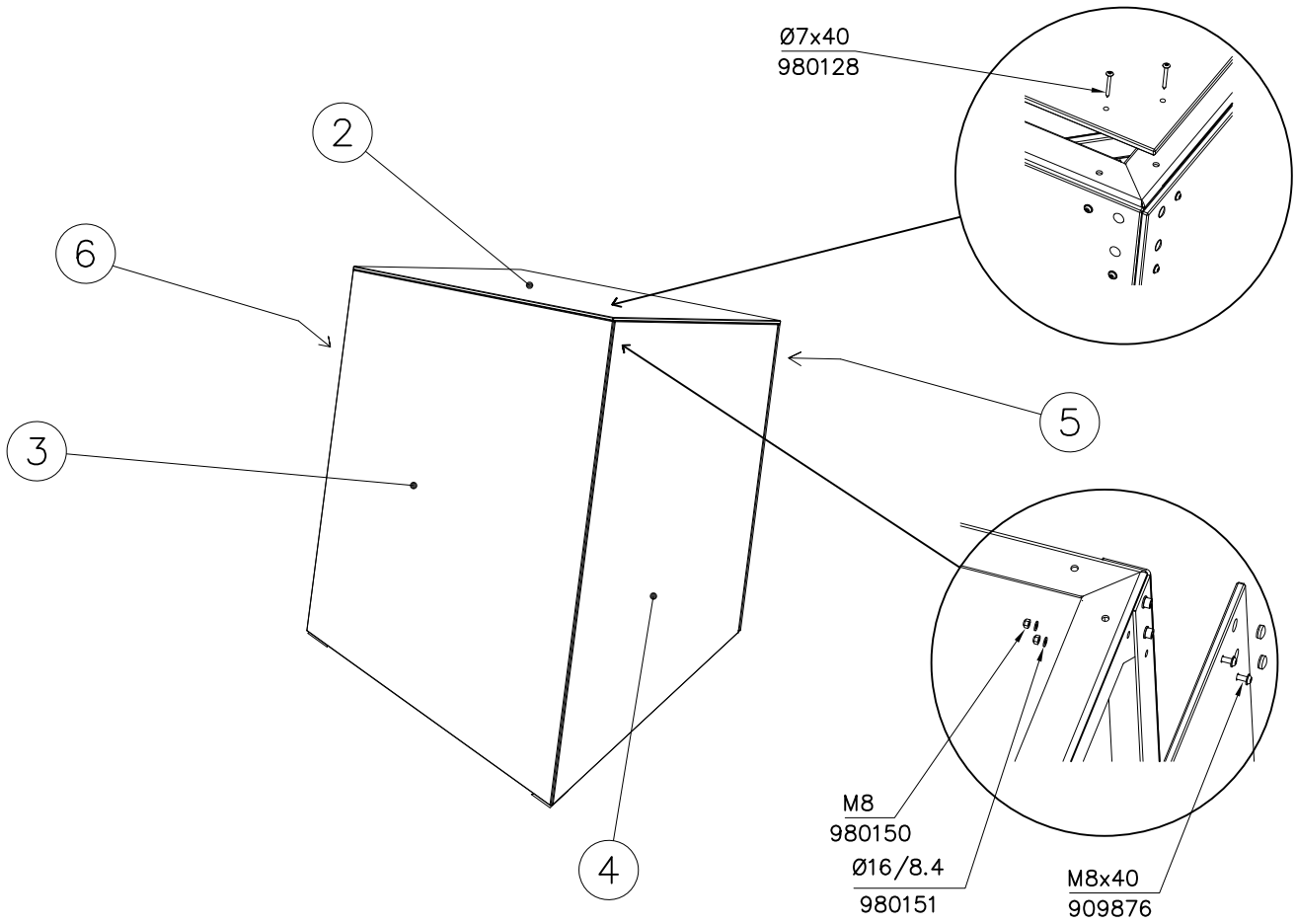
Max Falling Height 1740 mm



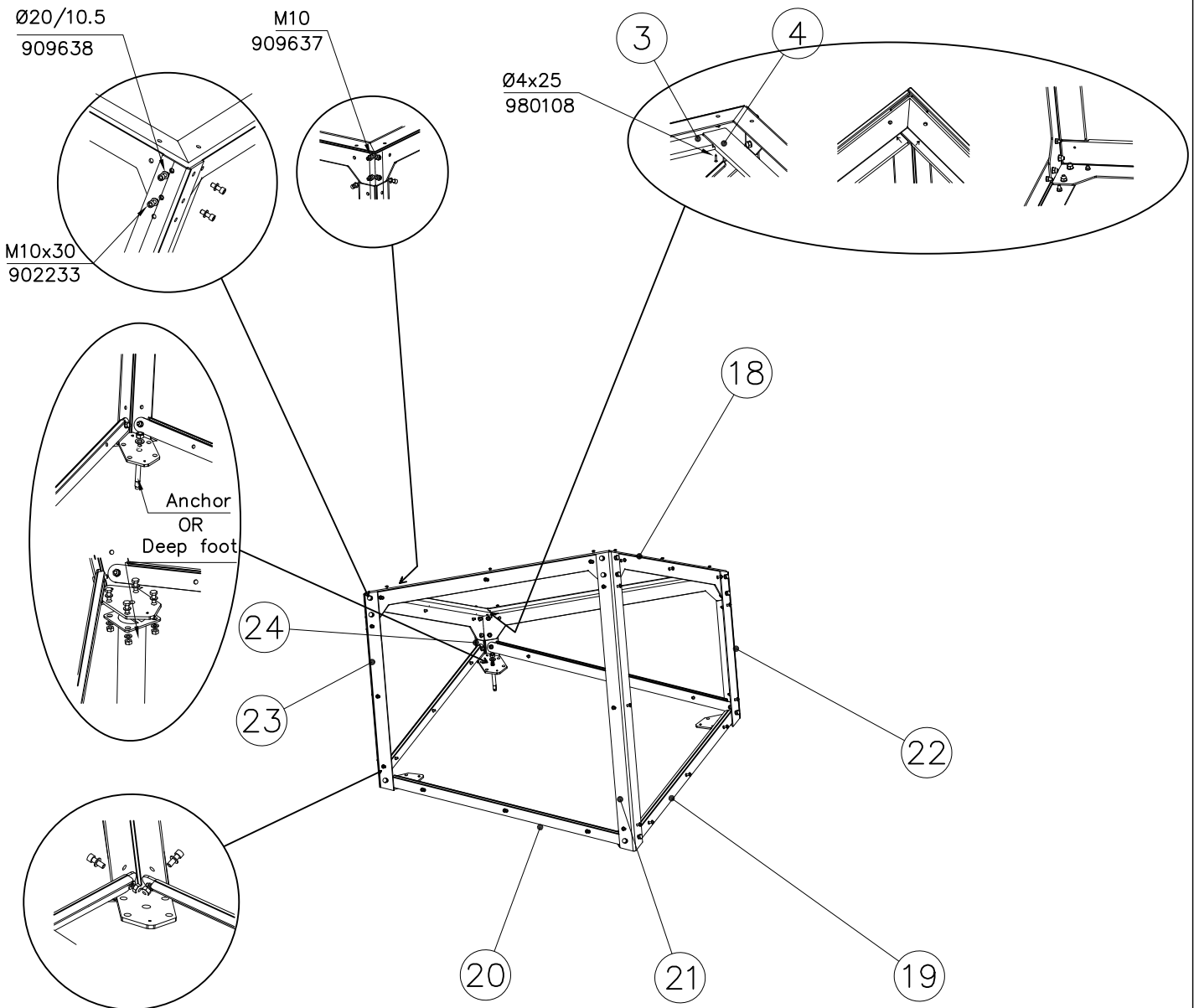
HIGH



HIGH

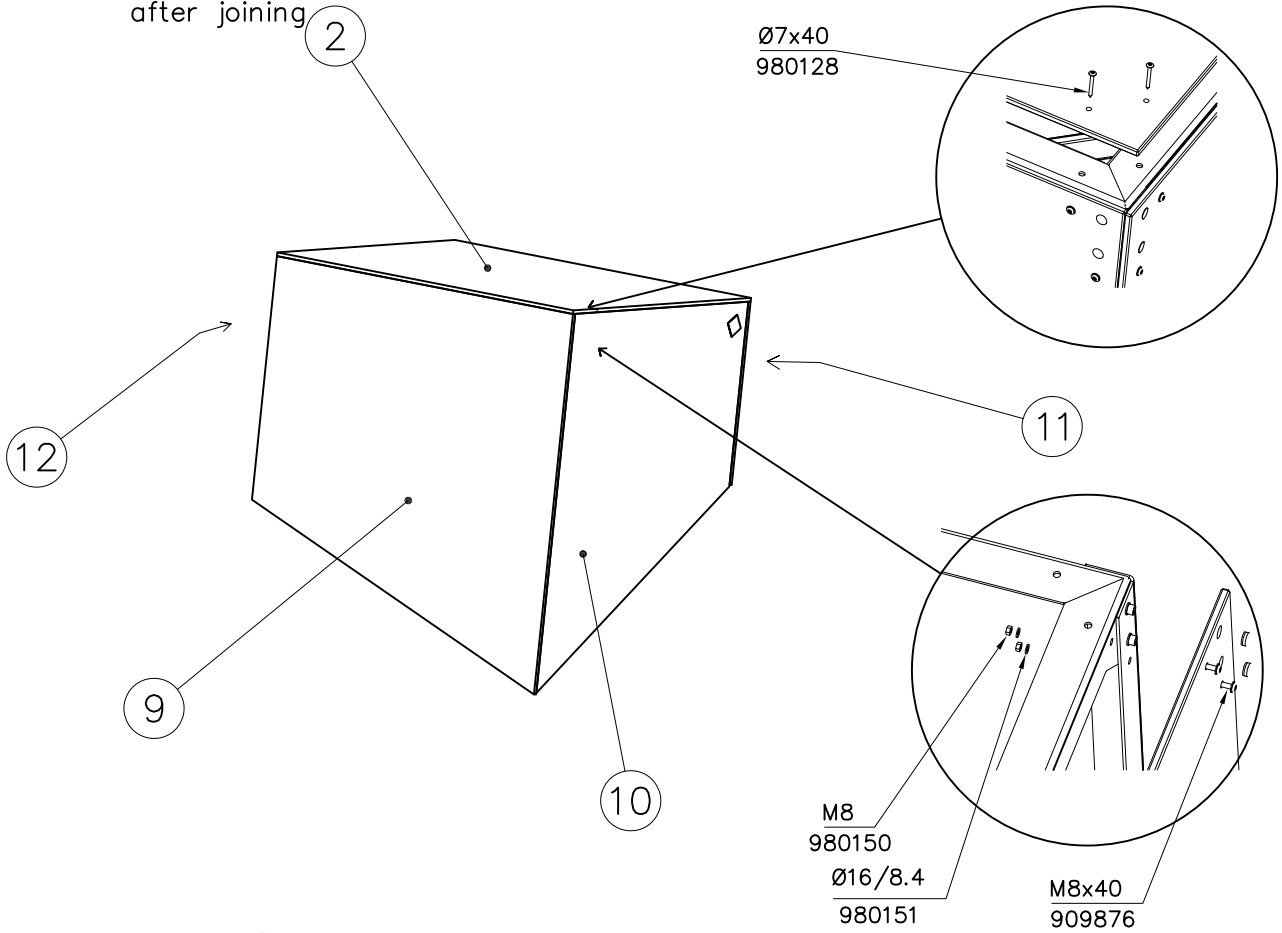


LOW

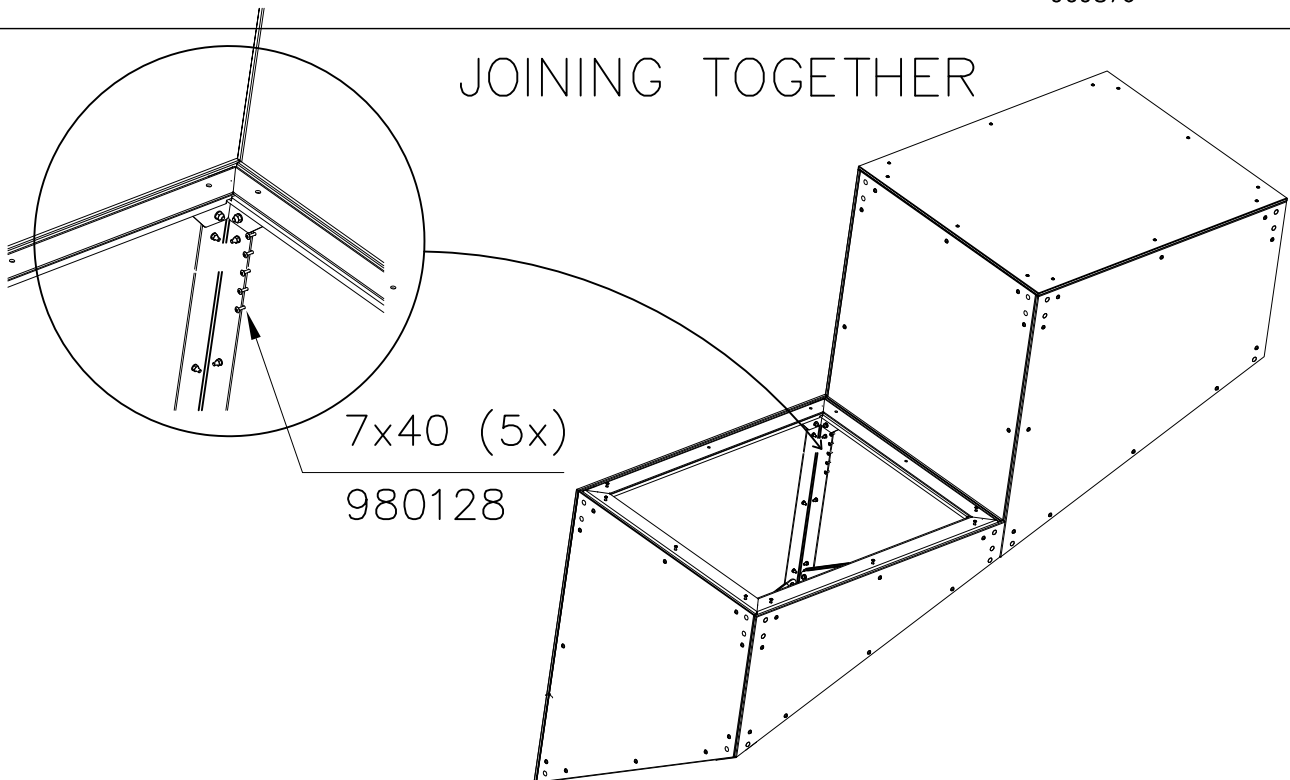


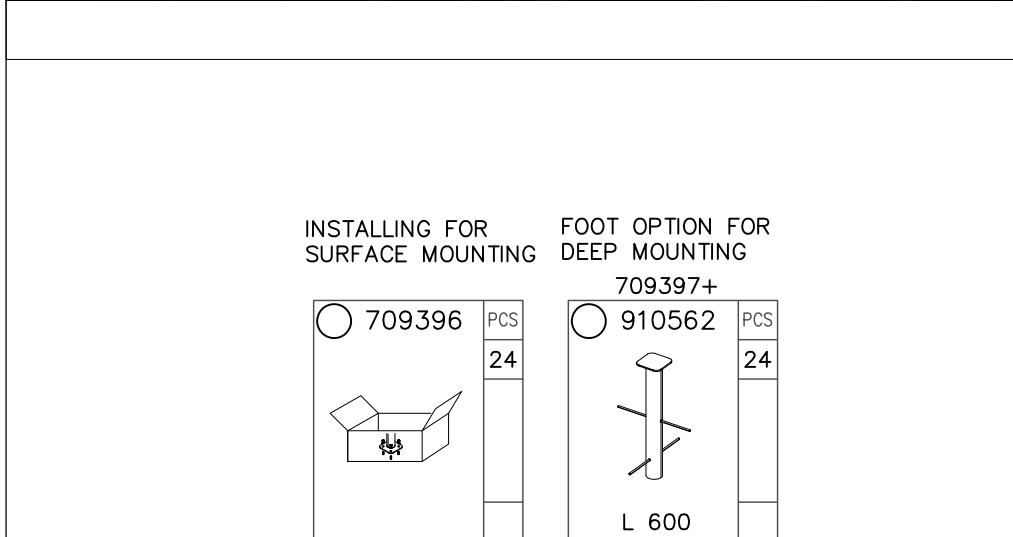
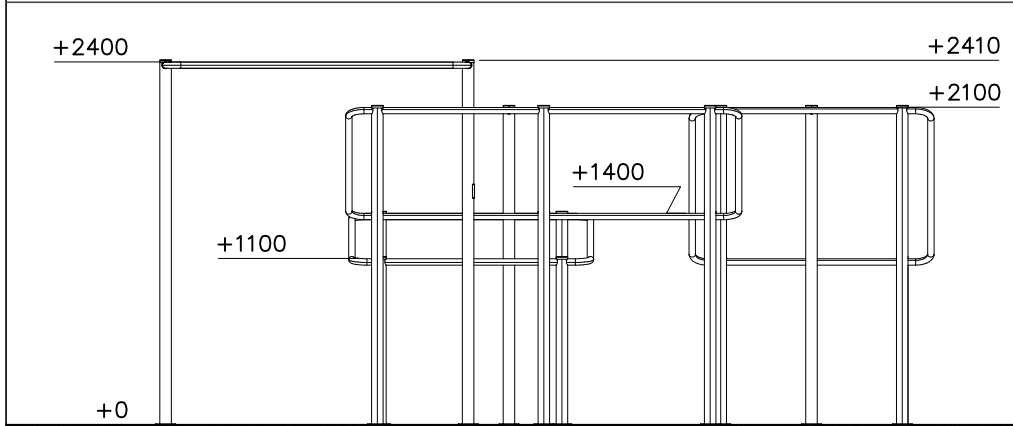
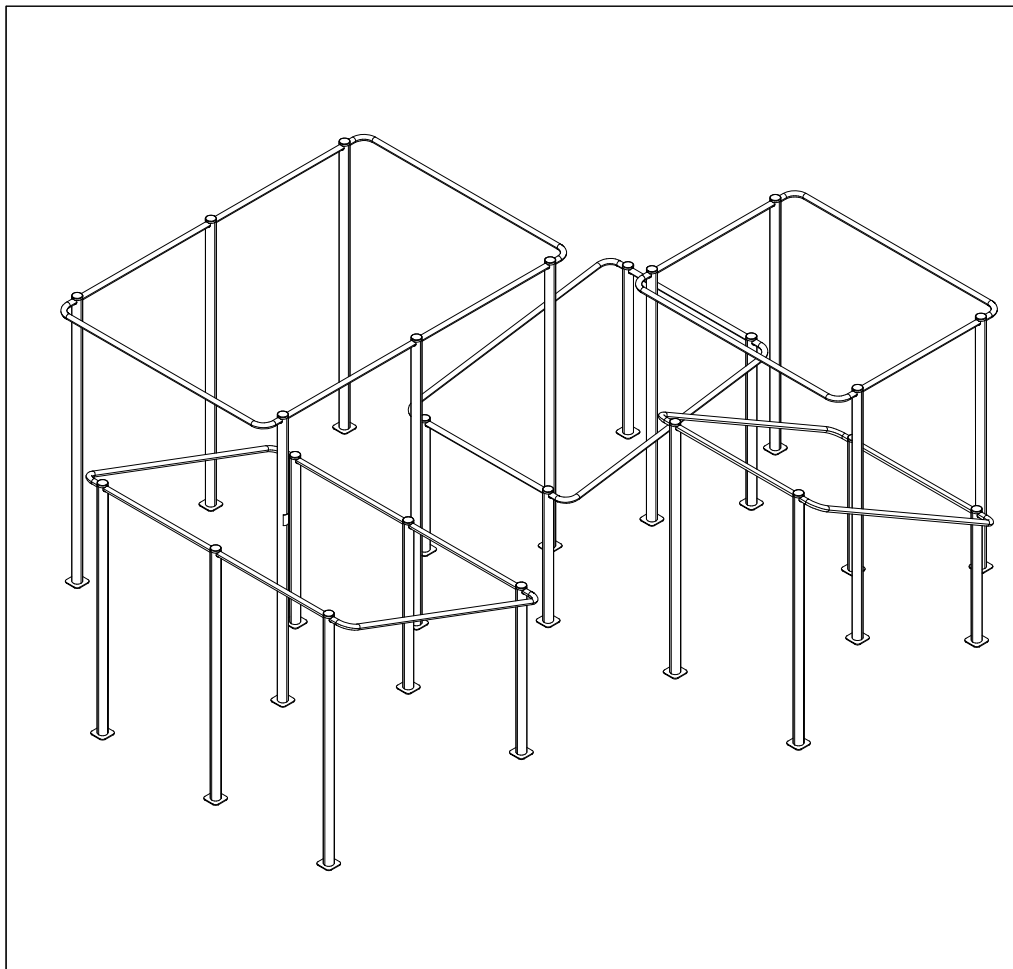
LOW

Install this plate last
after joining

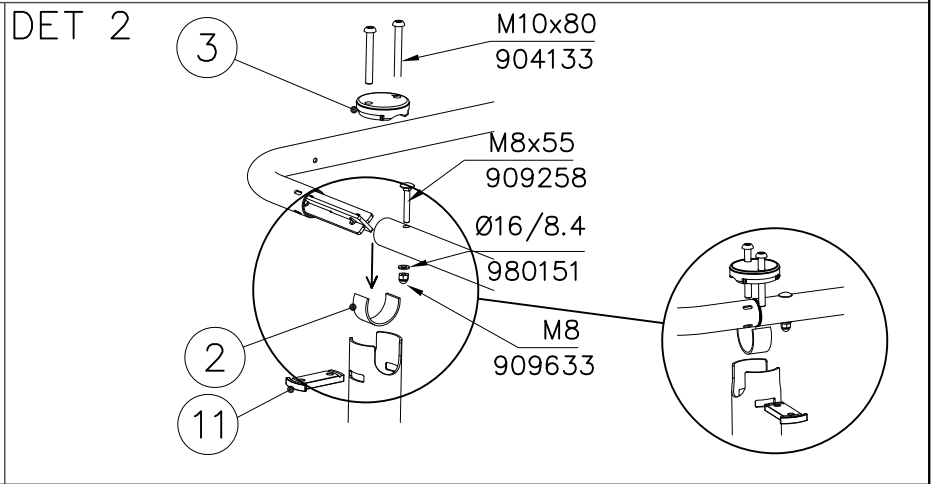
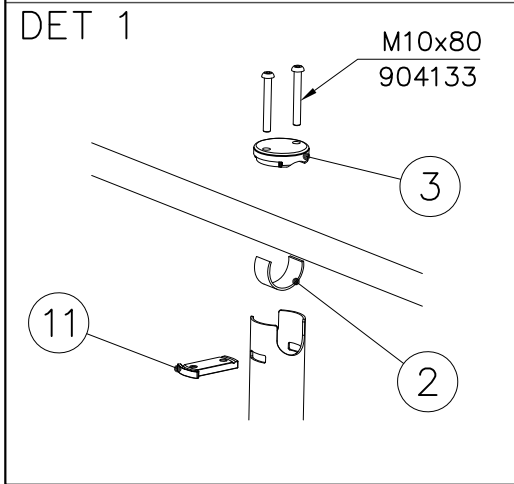
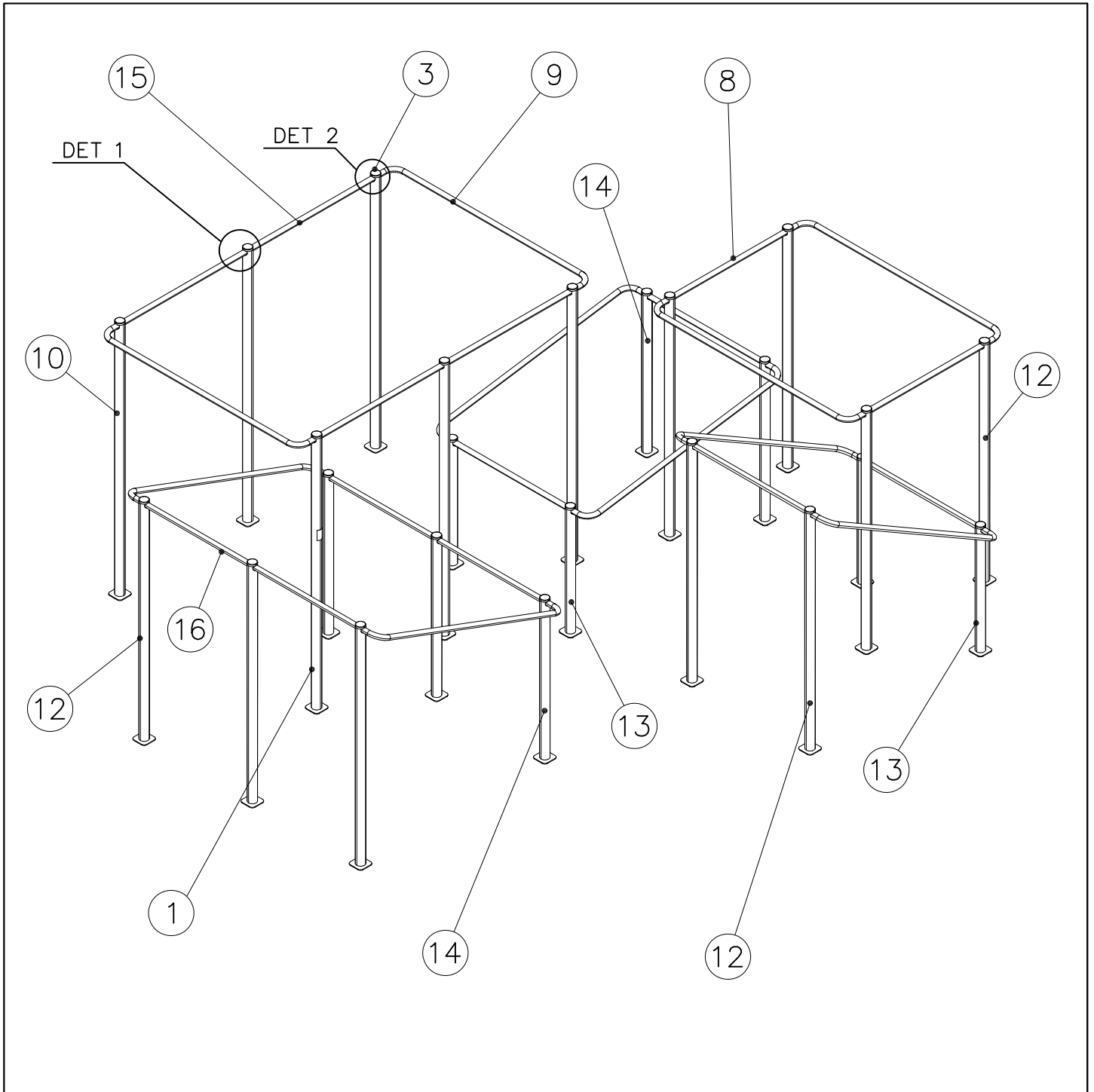


JOINING TOGETHER

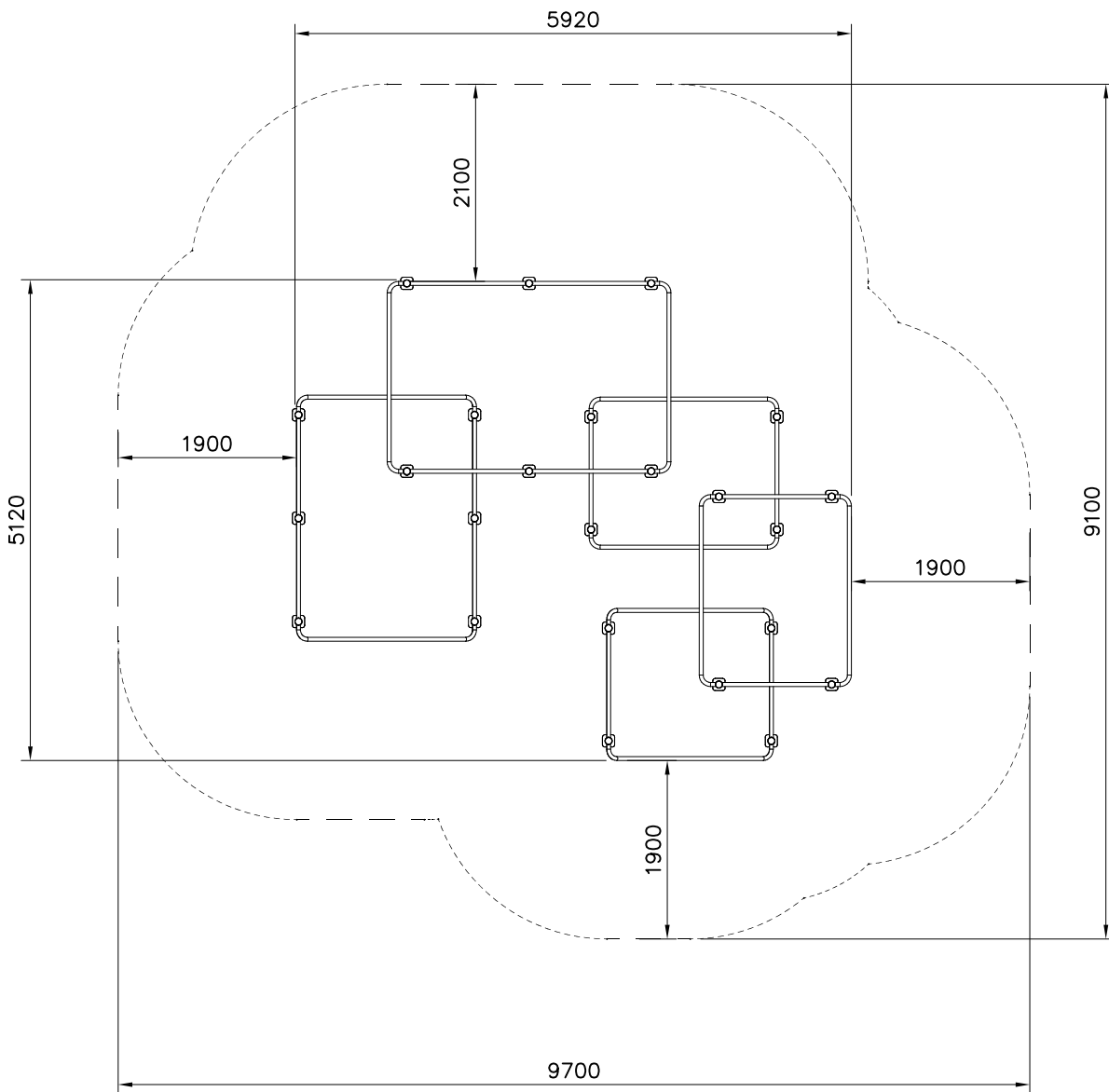
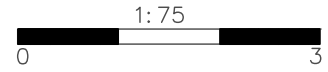




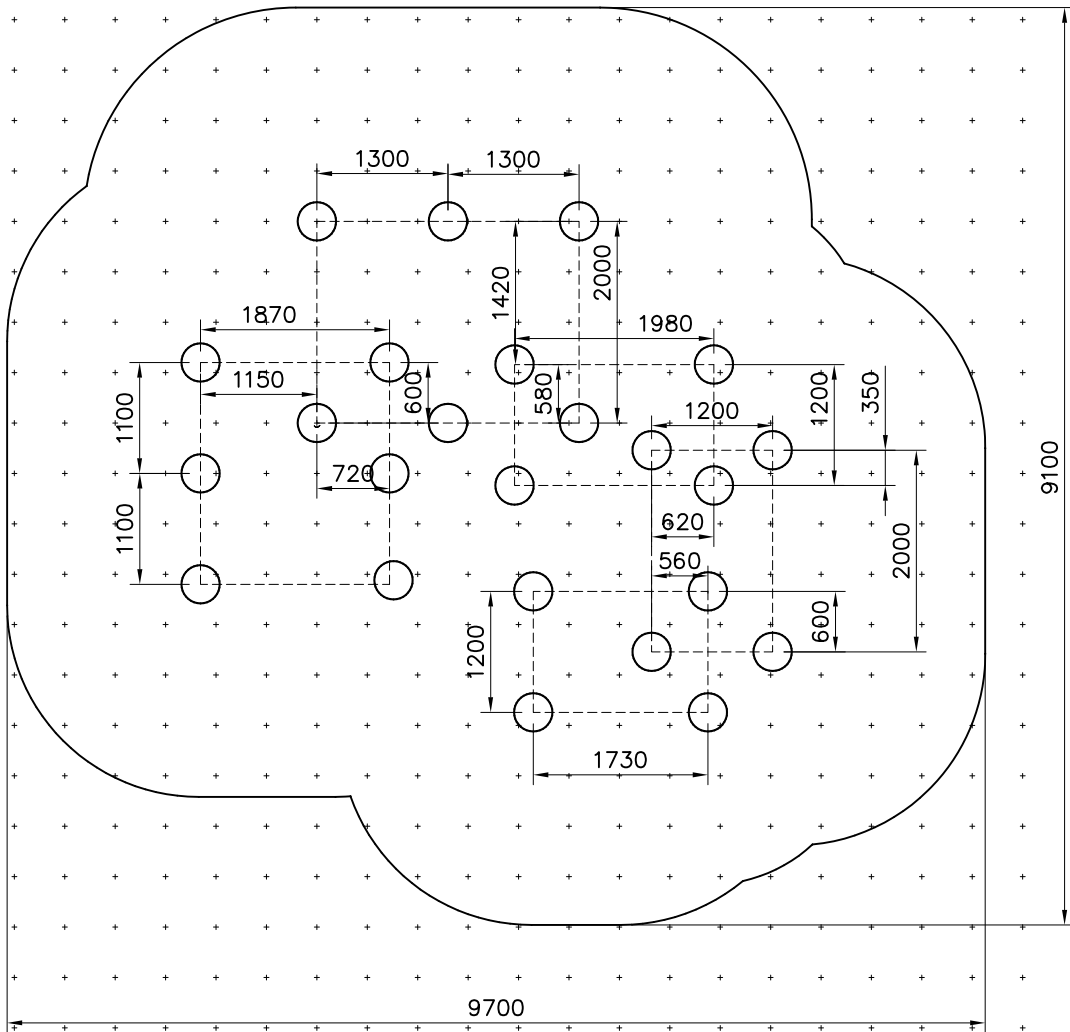
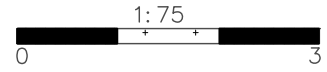
① 702341	PCS	1	② 704879	PCS	24
90x50			3x30x120mm		
③ 708880	PCS	24	④ 980151	PCS	20
Ø77x20			Ø16/8.4		
⑤ 904133	PCS	48	⑥ 909258	PCS	20
M10x80			M8x55		
⑦ 909633	PCS	20	⑧ 910547	PCS	6
M8			Ø42.4x1200		
⑨ 910549	PCS	10	⑩ 910556	PCS	6
Ø42.4x286x2042			L 2400		
⑪ 910557	PCS	24	⑫ 910563	PCS	9
10x45x87			L 2100		
⑬ 910564	PCS	4	⑭ 910565	PCS	5
L 1100			L 1400		
⑮ 910704	PCS	2	⑯ 910548	PCS	2
Ø42.4x2600			Ø42.4x2200		

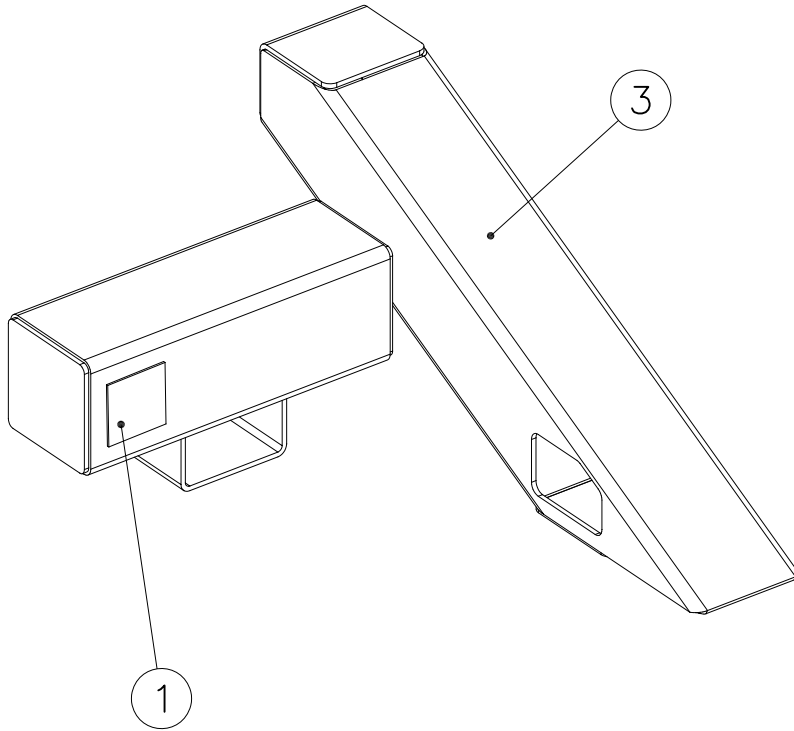


- EN Impact Attenuating Surface (IAS) 71.3 m²
- - - Falling Space 71.3 m²
- Max Falling Height 2410 mm



EN Impact Attenuating Surface (IAS) 71.3 m²
Grid size 500mm



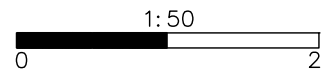


① 702341	PCS	② 709381	PCS
	1		2
90x50		SURFACE	

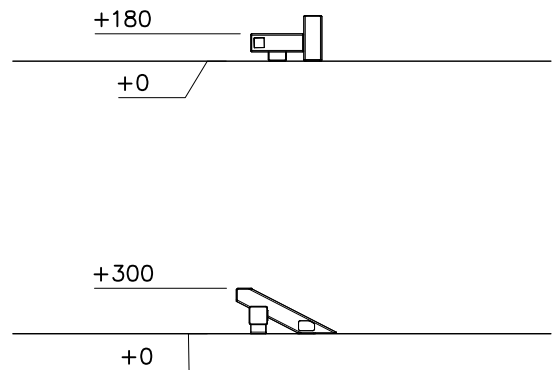
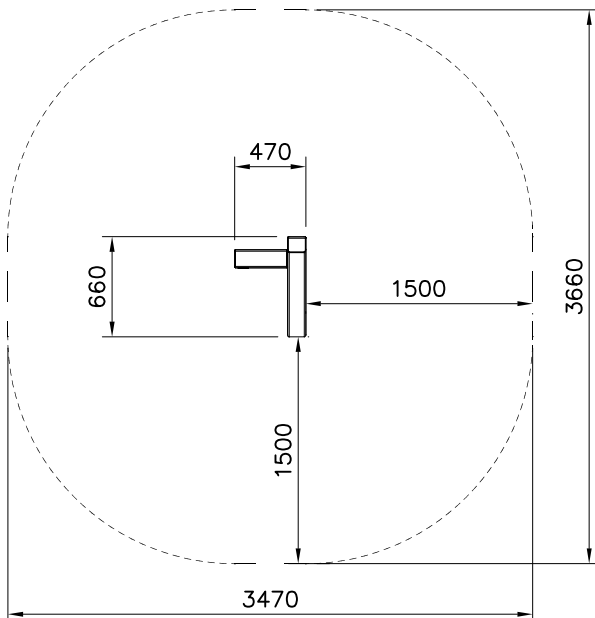
③ 910220	PCS
	1
300x470x662	

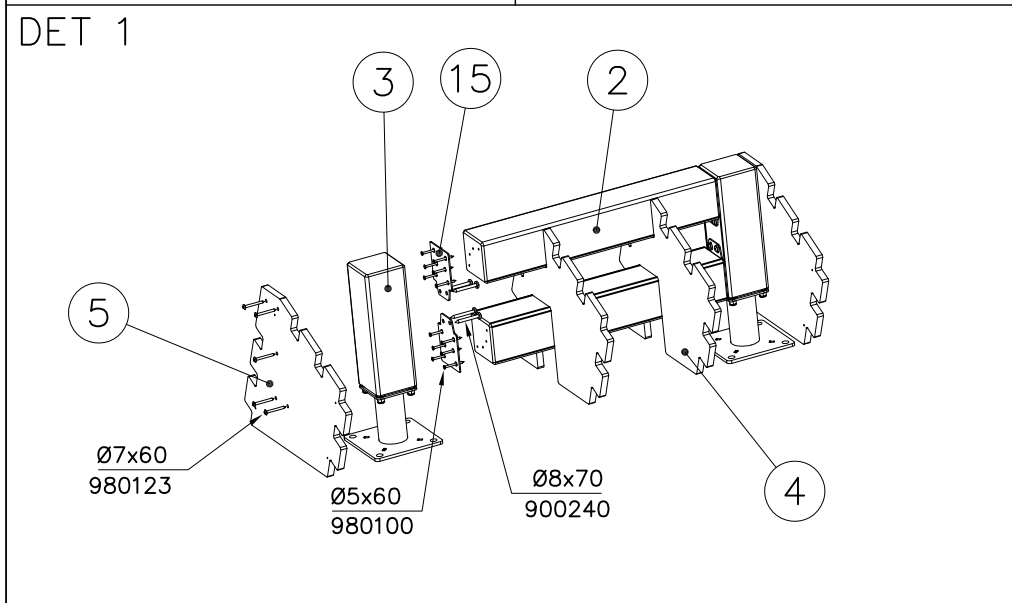
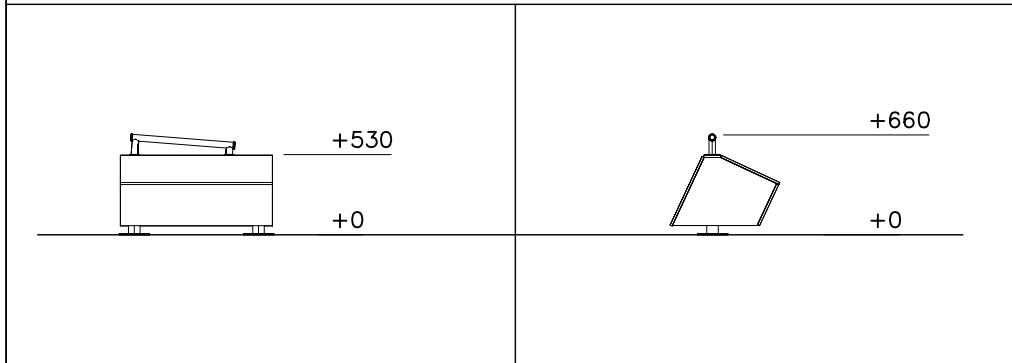
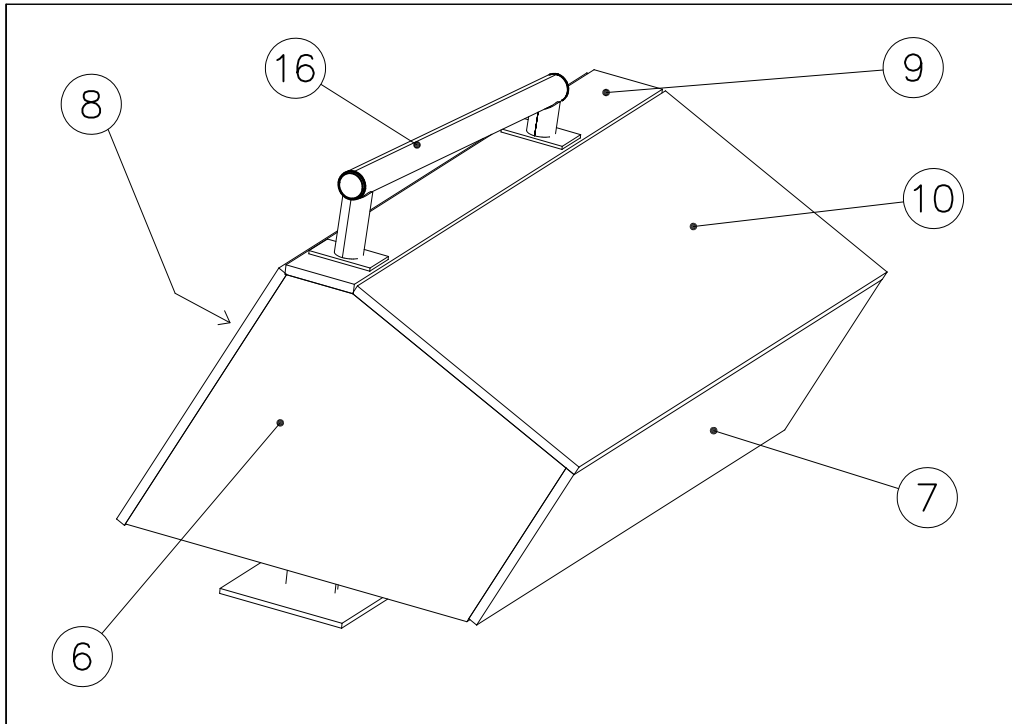
FOOT OPTION FOR DEEP MOUNTING

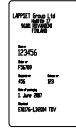
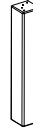
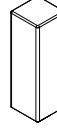
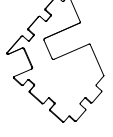
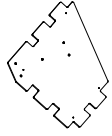
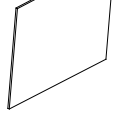
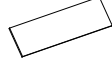

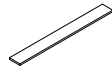
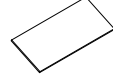



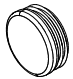
709379+	
○ 902564	PCS
	2
L 550	

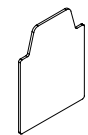
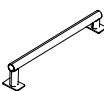






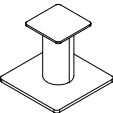

----- Falling Space 10.8 m²
 Max Falling Height 300 mm

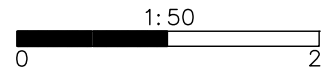
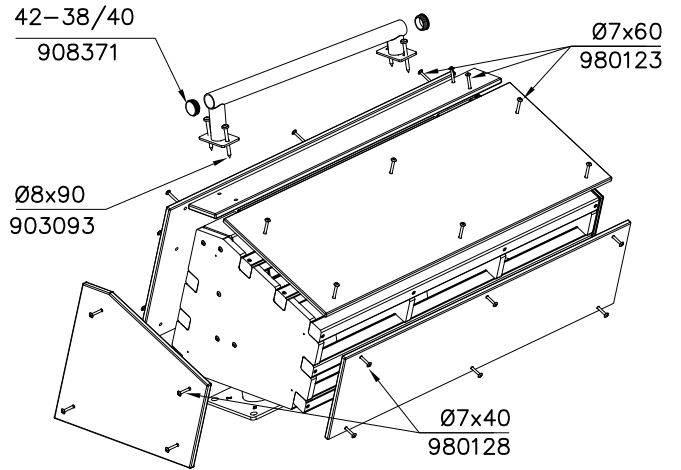
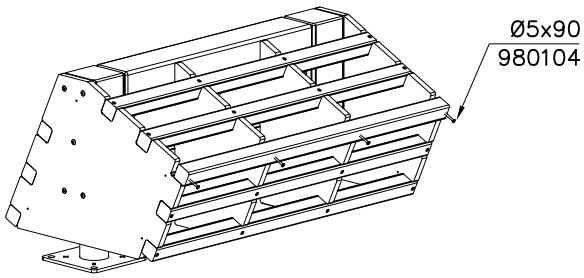
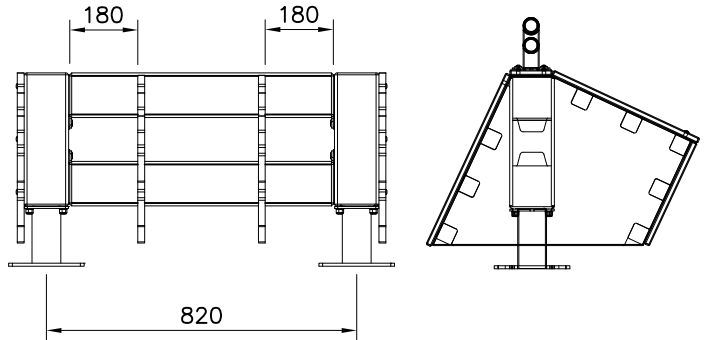




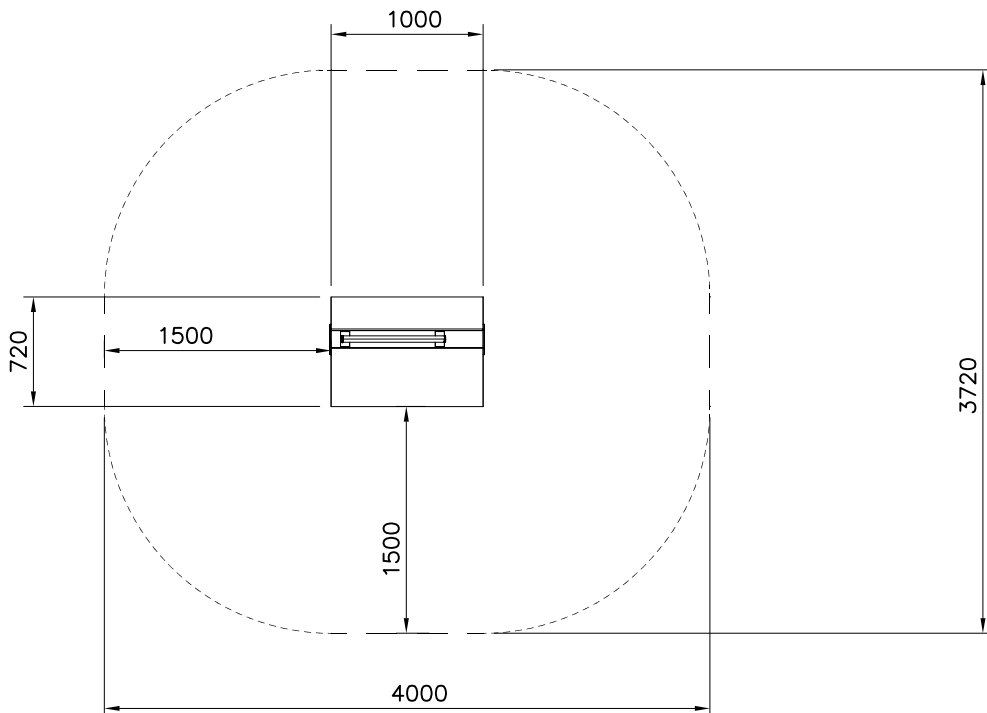
① 702341  90x50	PCS 1	② 708109  118x118x697	PCS 2
③ 708443  118x118x352	PCS 2	④ 708848  18x450x690	PCS 2
⑤ 708849  18x450x690	PCS 2	⑥ 708850  15x450x690	PCS 2
⑦ 708851  15x300x1005	PCS 1	⑧ 708852  15x500x1005	PCS 1
⑨ 708853  15x112x1005	PCS 1	⑩ 708854  15x425x1005	PCS 1
⑪ 708855  45x45x975	PCS 8	⑫ 900240  Ø8x70	PCS 8
⑬ 903093  Ø8x90	PCS 4	⑭ 908371  42-38/40	PCS 2

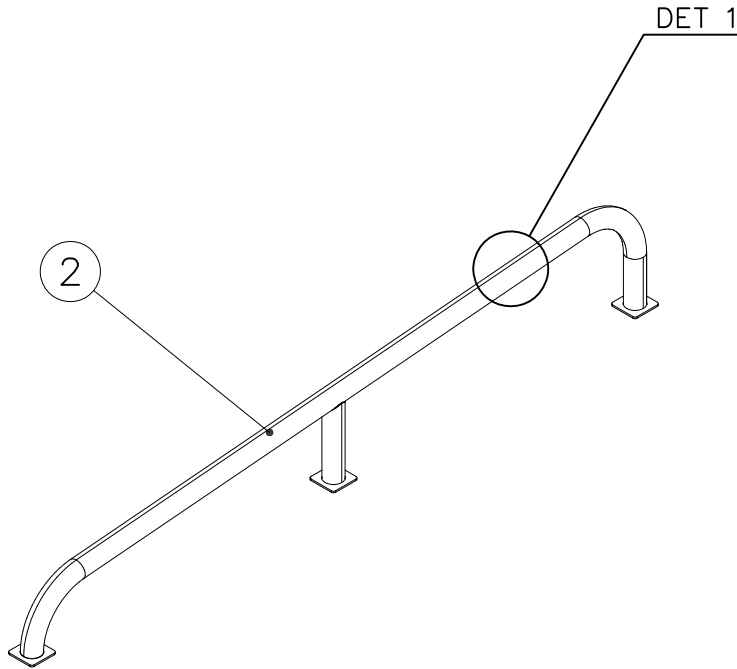
⑮ 908698  3x114x108	PCS 4	⑯ 910056  140x690	PCS 1	⑰ 980100  Ø5x60	PCS 24	⑱ 980104  Ø5x90	PCS 32	⑲ 980123  Ø7x60	PCS 27	⑳ 980128  Ø7x40	PCS 14
--	----------	--	----------	--	-----------	--	-----------	--	-----------	--	-----------


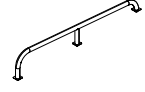
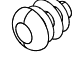
709261+		709262+	
○ 910330	PCS	○ 910567	PCS
SURFACE	2	CONCRETE	2
			
152x200x200		117x117x715	



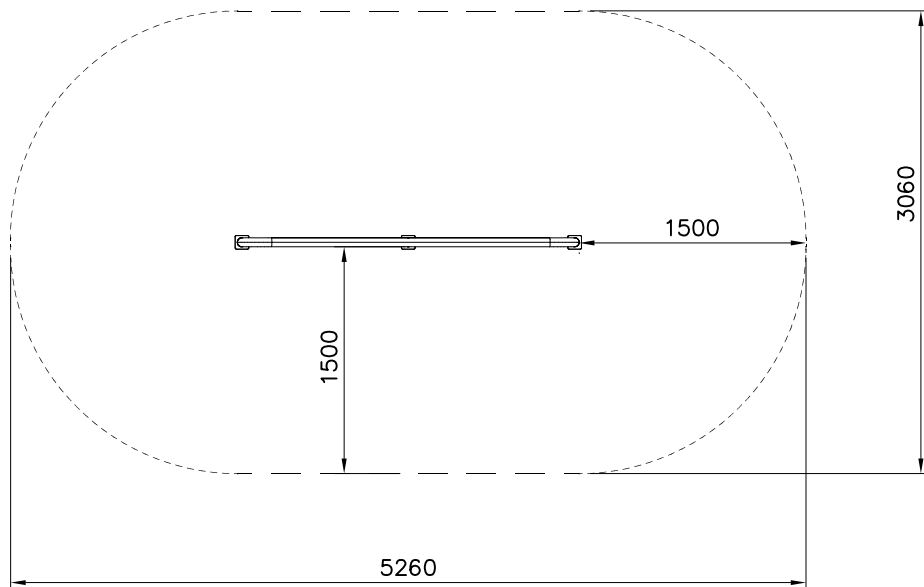
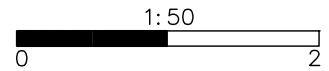
----- Falling Space 13 m²
Max Falling Height 660 mm

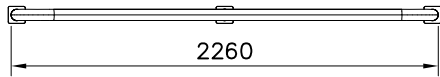
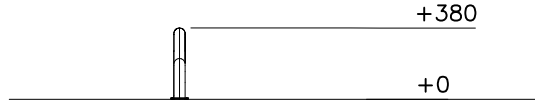
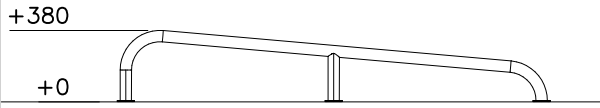




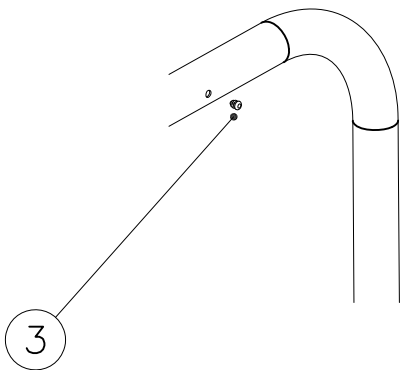
① 702341  90x50	PCS	② 910253  Ø60x376x2290	PCS
	1		1
③ 903533  SRL12	PCS		PCS
	4		

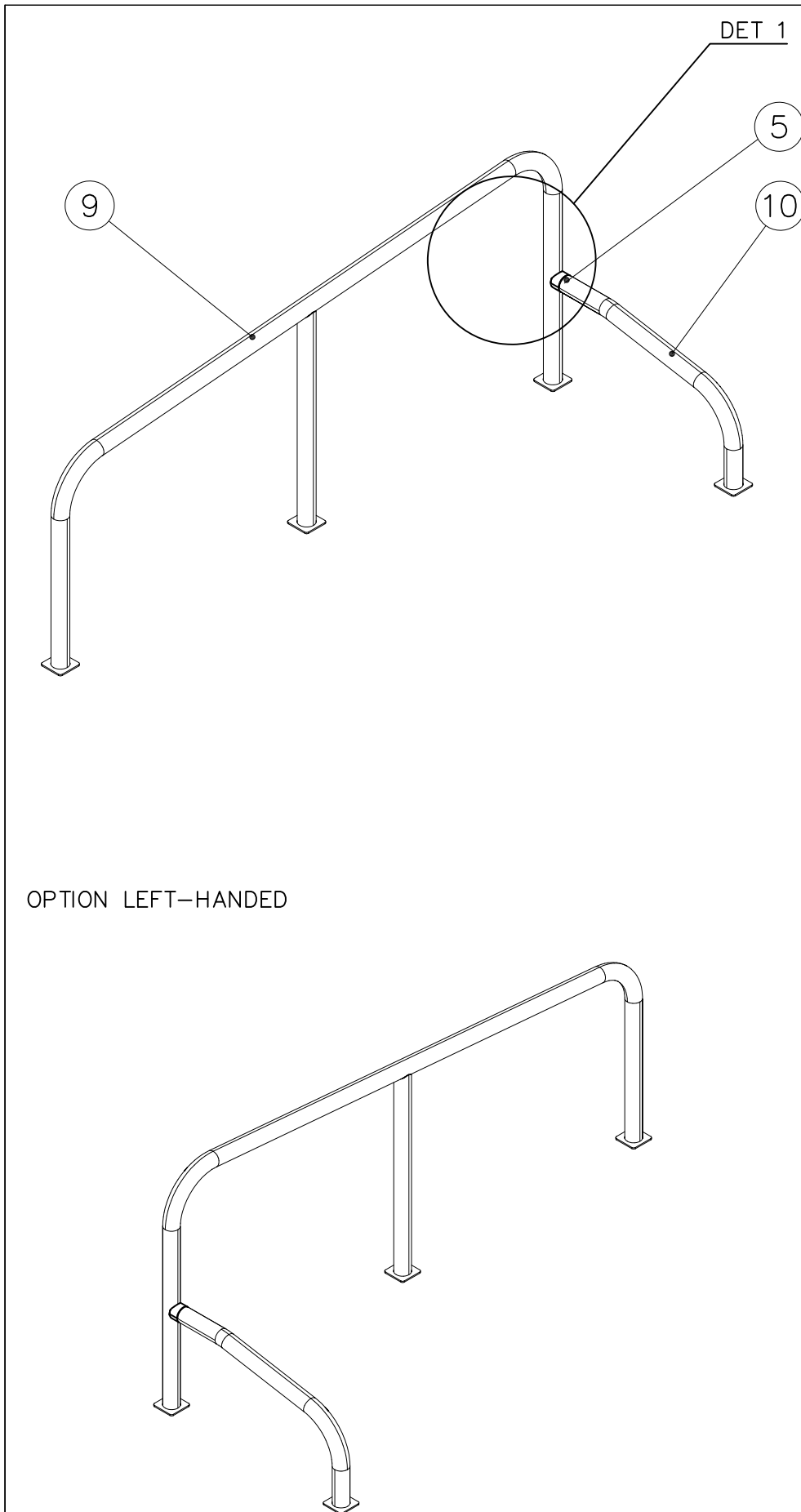
----- Falling Space 14.2 m²
Max Falling Height 380 mm

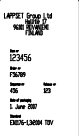

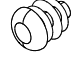
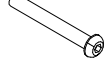
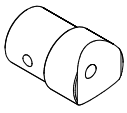



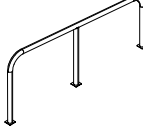
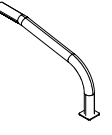



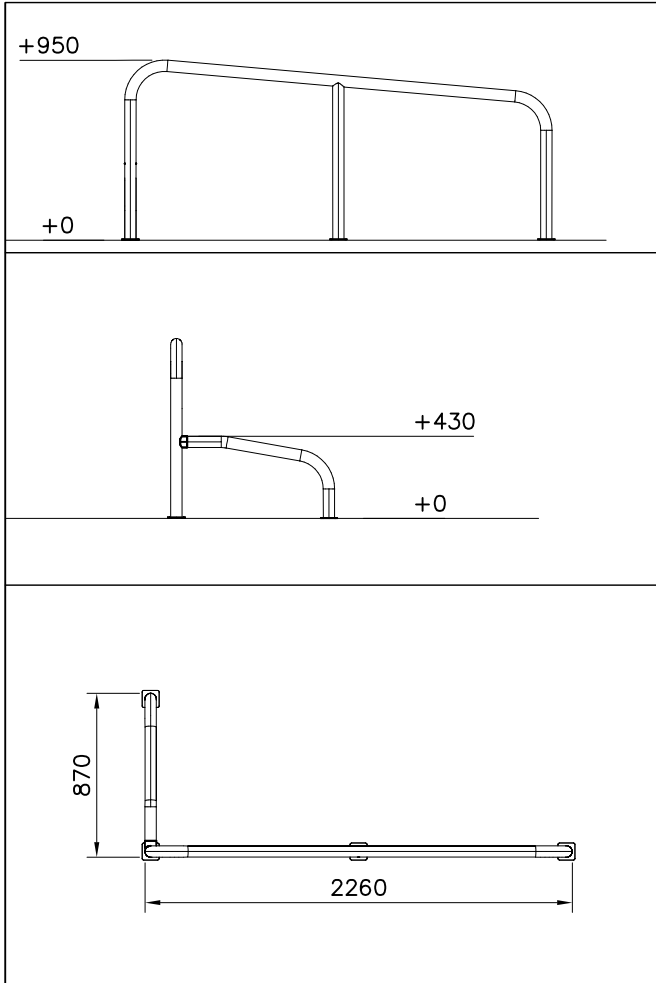


DET 1

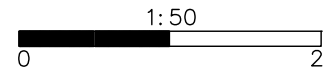
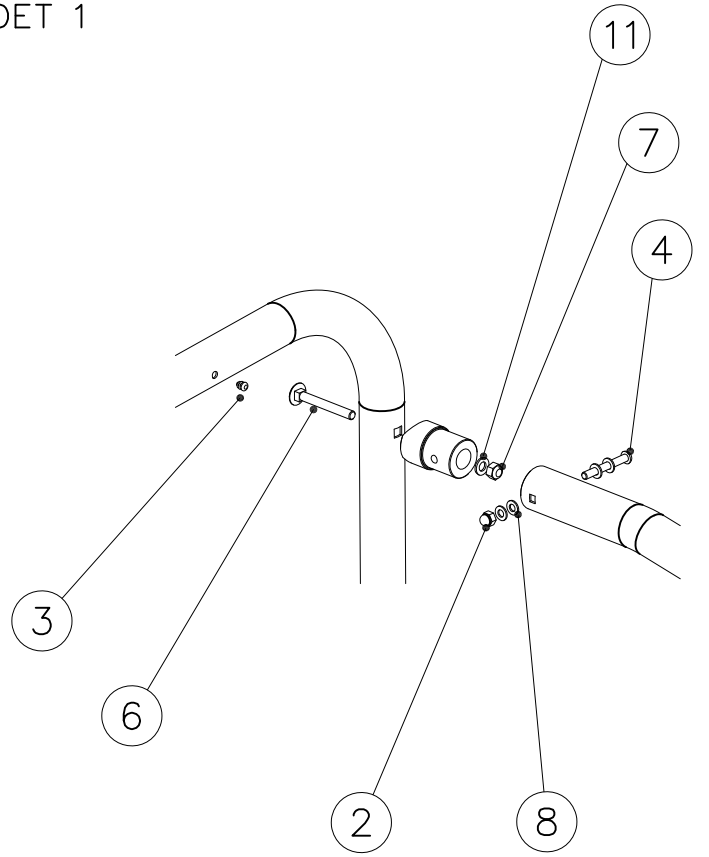




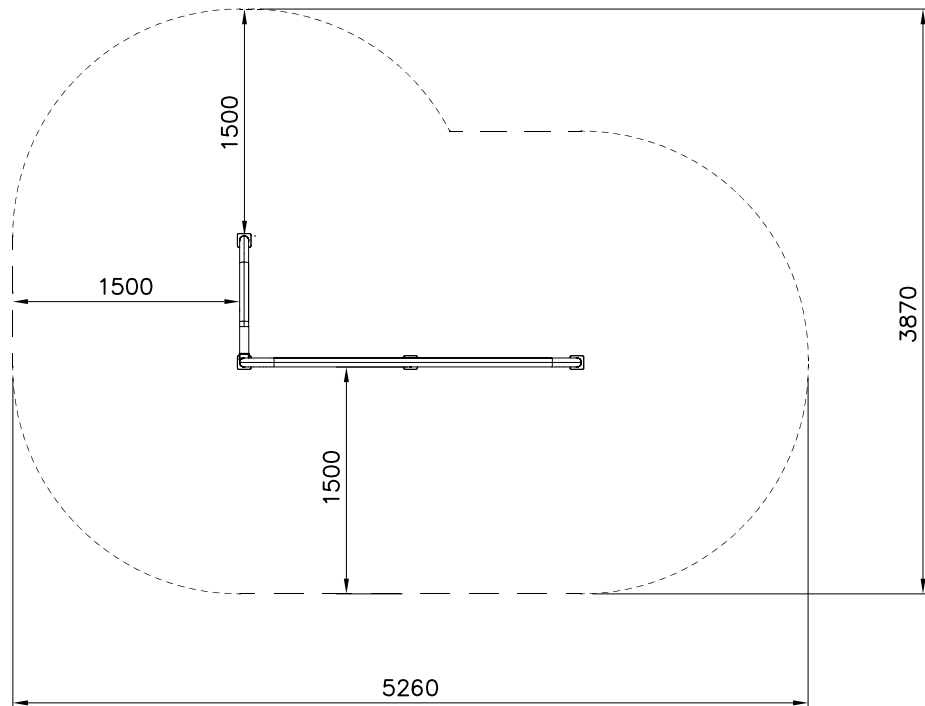
①	702341	PCS	②	900965	PCS
		1			1
	90x50			M10	
③	903533	PCS	④	904133	PCS
		4			1
	SRL12			M10x80	
⑤	908069	PCS	⑥	909111	PCS
		1			1
	Ø60x87.6			M12x100	
⑦	909248	PCS	⑧	909638	PCS
		1			4
	M12			Ø20/10.5	
⑨	910255	PCS	⑩	910262	PCS
		1			1
	Ø60x950x2290			Ø60x435x795	
⑪	980154	PCS			PCS
		1			
	Ø24/13				

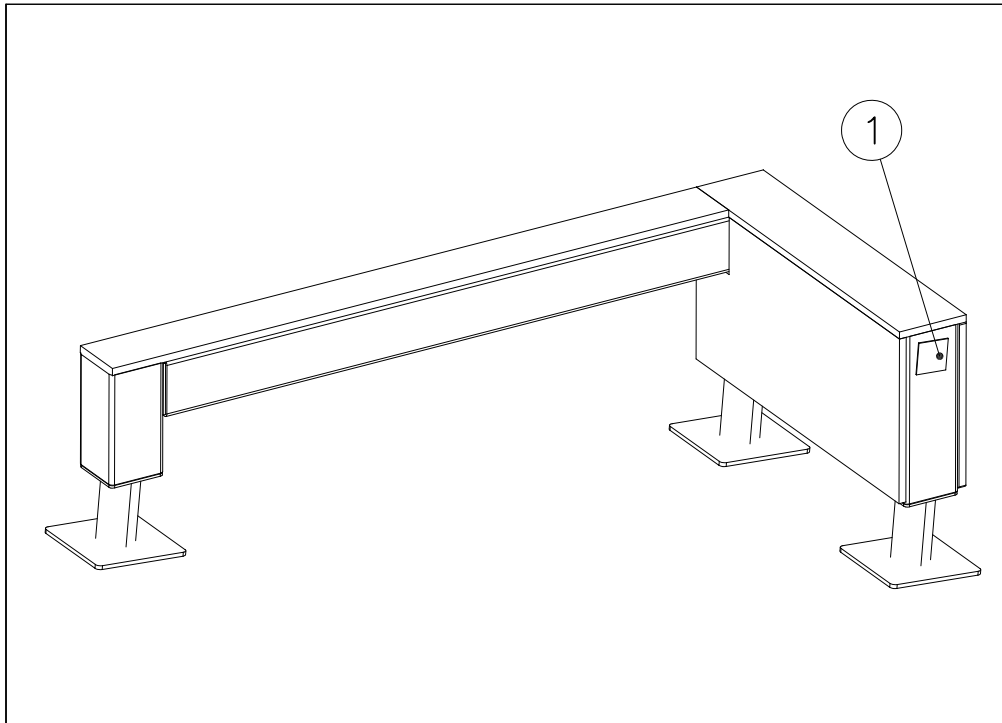



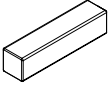
DET 1






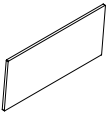
----- Falling Space 16.2 m²
Max Falling Height 950 mm

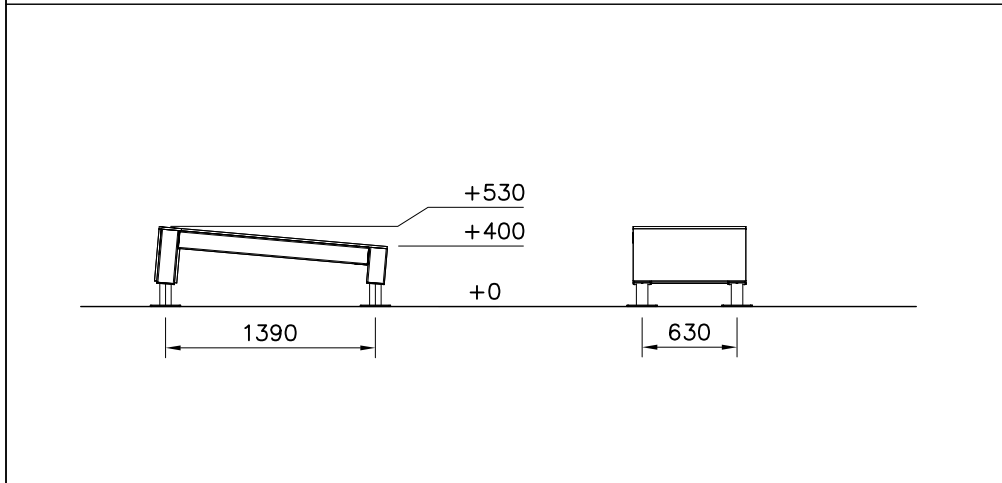


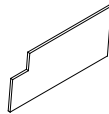
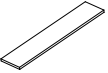



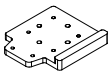
① 702286	PCS	② 707210	PCS
	1		2
65x65		118x118x503	

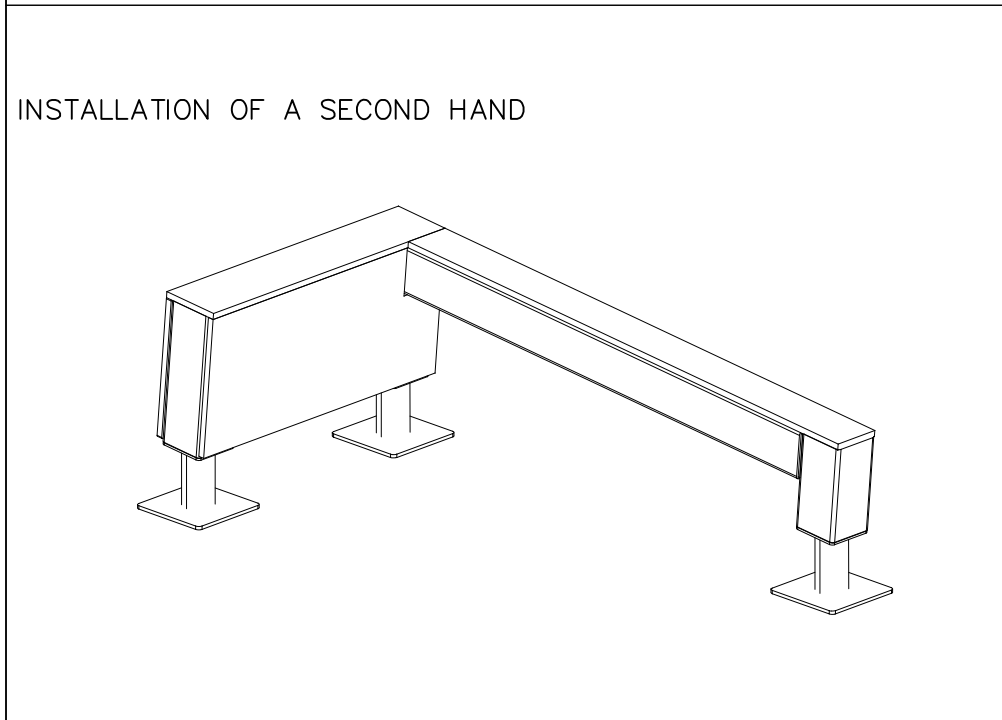
③ 707212	PCS	④ 708347	PCS
	1		1
118x118x1254		118x118x231	

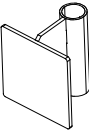

⑤ 708443	PCS	⑥ 708727	PCS
	2		1
118x118x352		15x346x745	






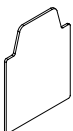
⑦ 708730	PCS	⑧ 708733	PCS
	1		1
15x346x745		15x148x745	




⑨ 708734	PCS	⑩ 708857 JIG	PCS
	1		1
15x118x1365		20x133x149	



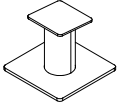

⑪ 910266	PCS	⑫ 900240	PCS
	2		16
90x108x118		Ø8x70	

⑬ 903093	PCS	⑭ 905103	PCS
	4		2
Ø8x90		PT-28/32-H	

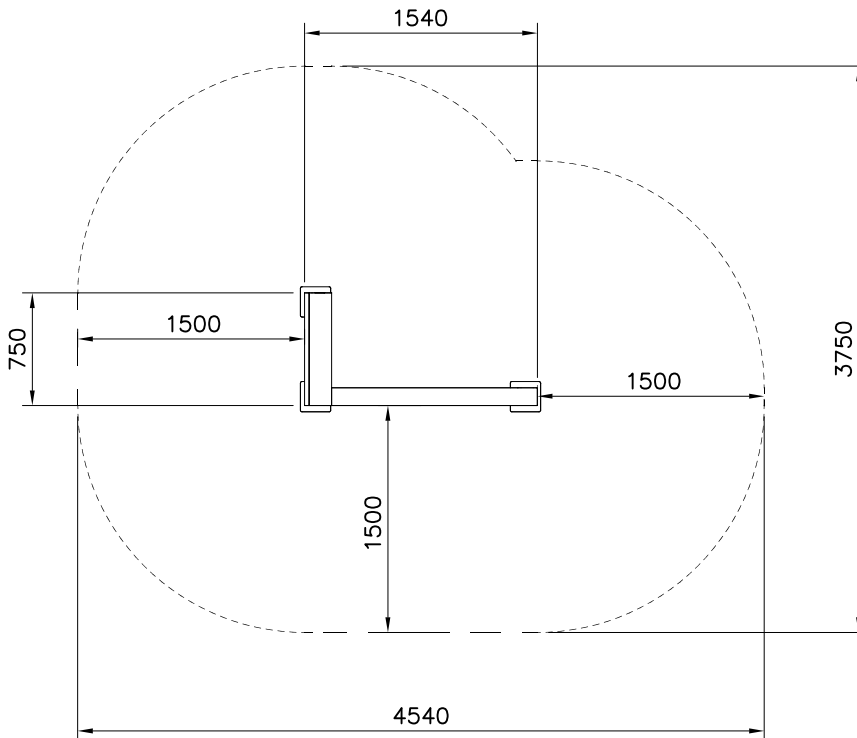
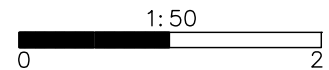
⑮ 905112	PCS	⑯ 908698	PCS
	4		4
Ø22		3x114x108	

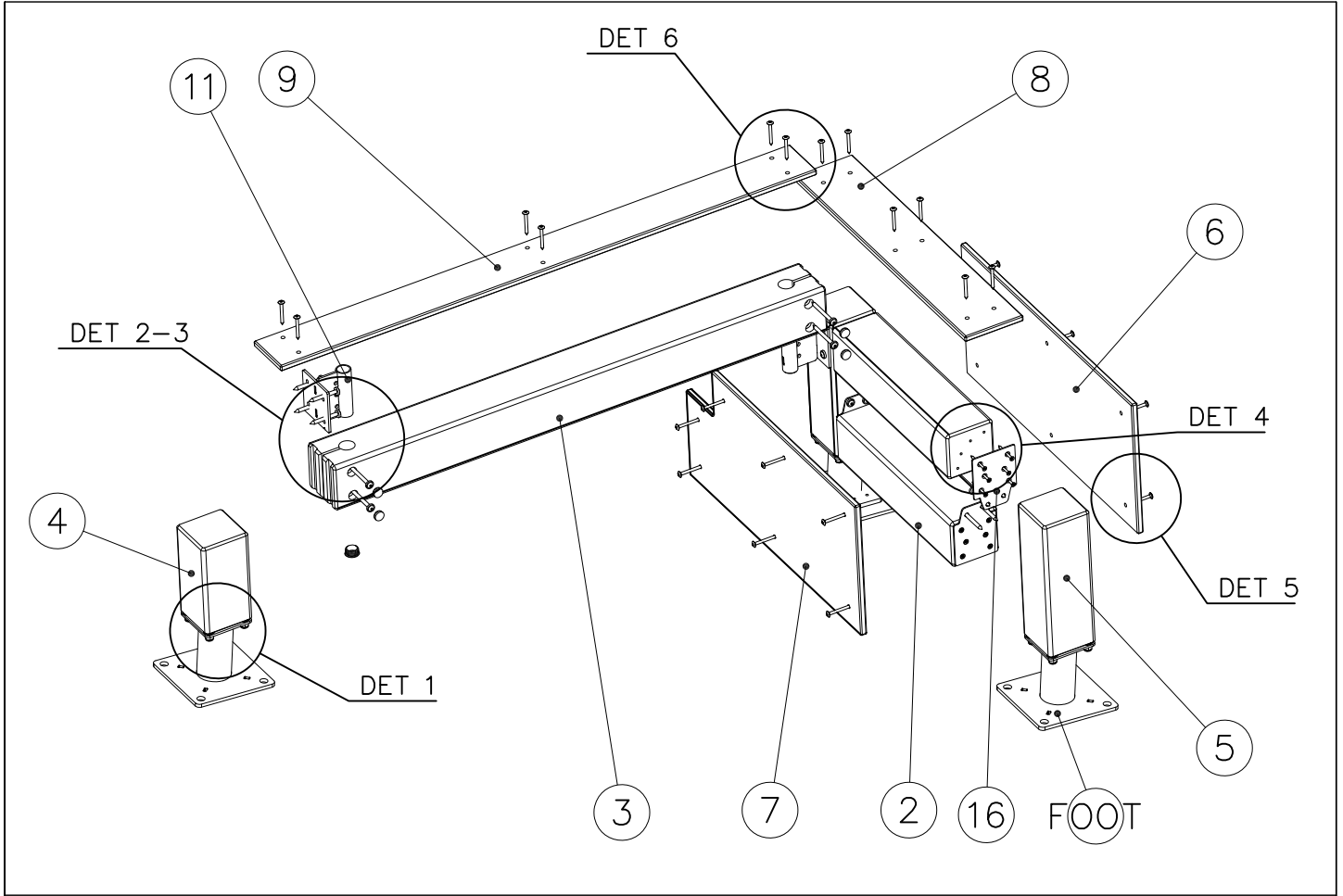
17	980100	PCS	18	980114	PCS	19	980123	PCS
		28			4			25
								
	Ø5x60			Ø4x20			Ø7x60	

FOOT OPTIONS

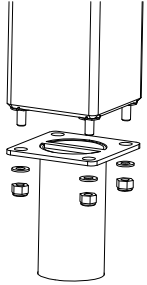
709261+		709262+	
○ 910267	PCS	○ 910567	PCS
SURFACE	3	CONCRETE	3
			
152x200x200		117x117x715	

----- Falling Space 13.8 m²
Max Falling Height 530 mm

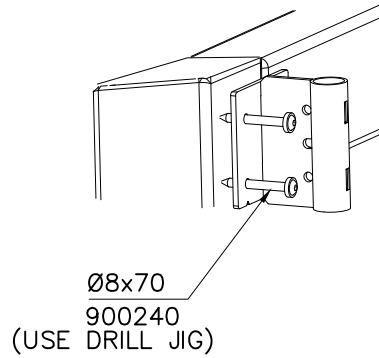




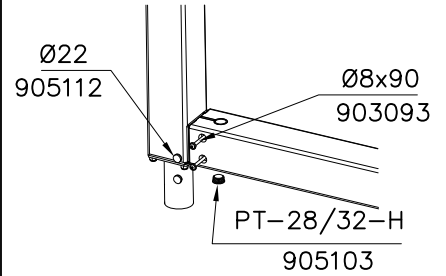
DET 1



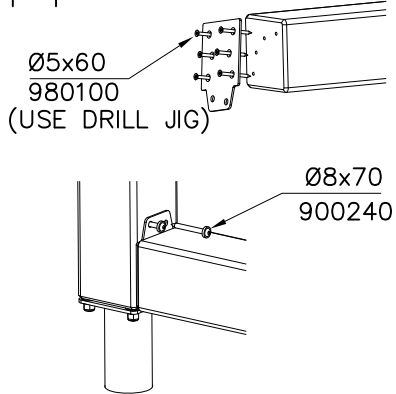
DET 2



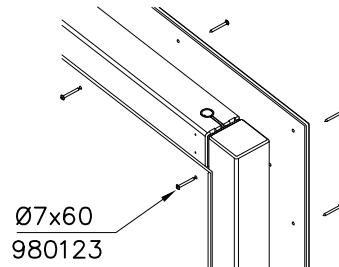
DET 3



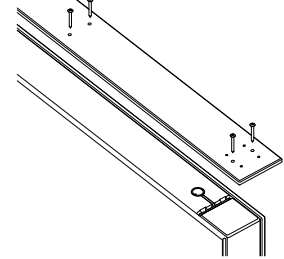
DET 4



DET 5

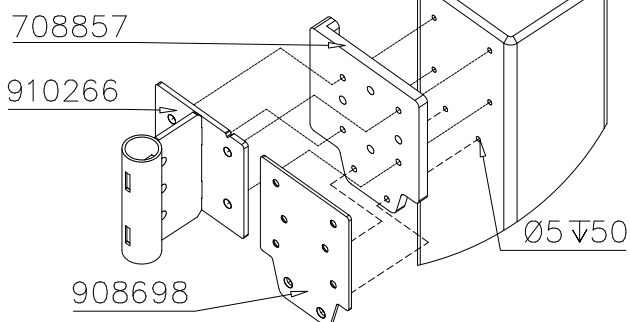


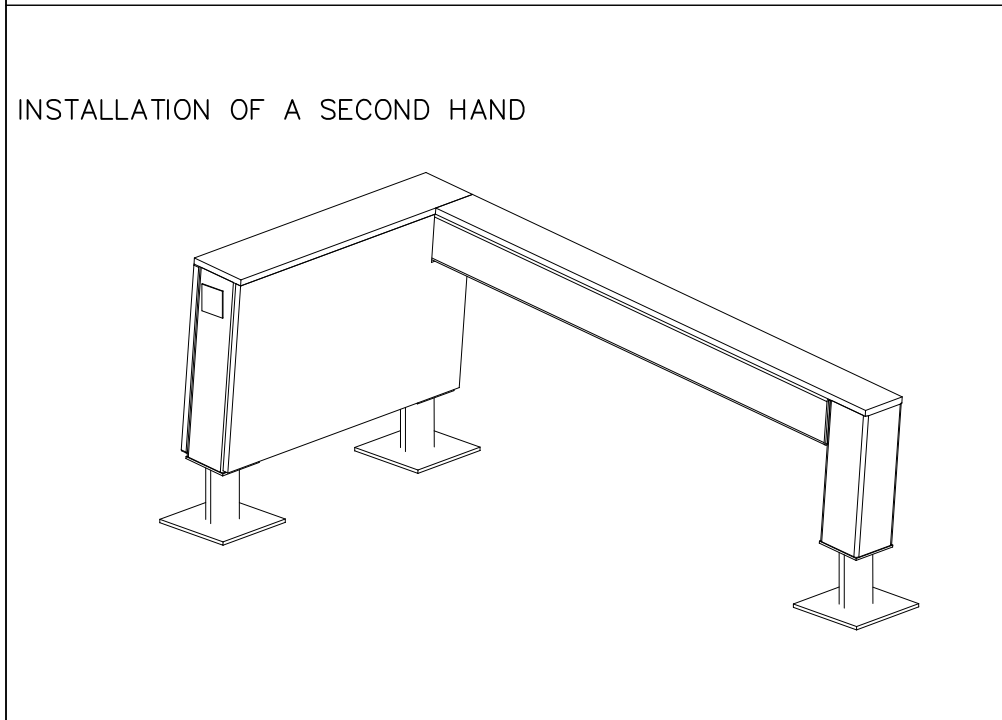
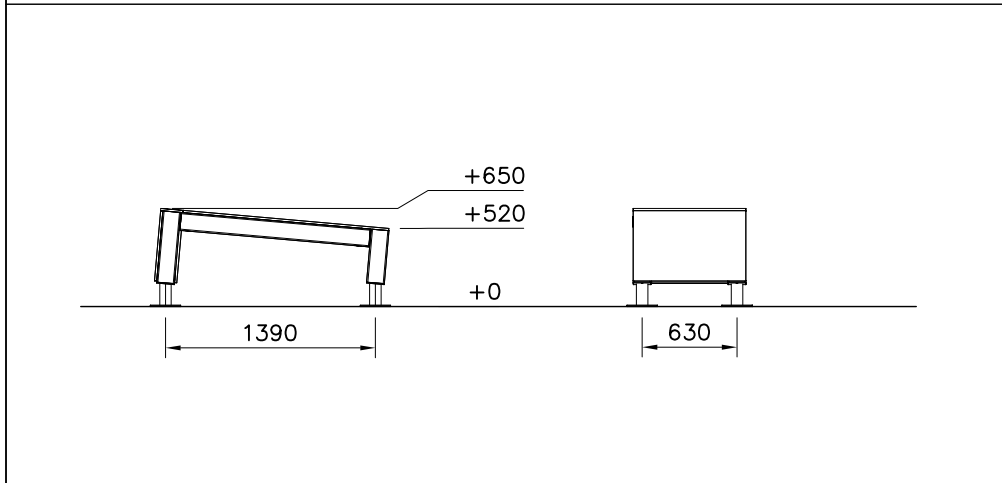
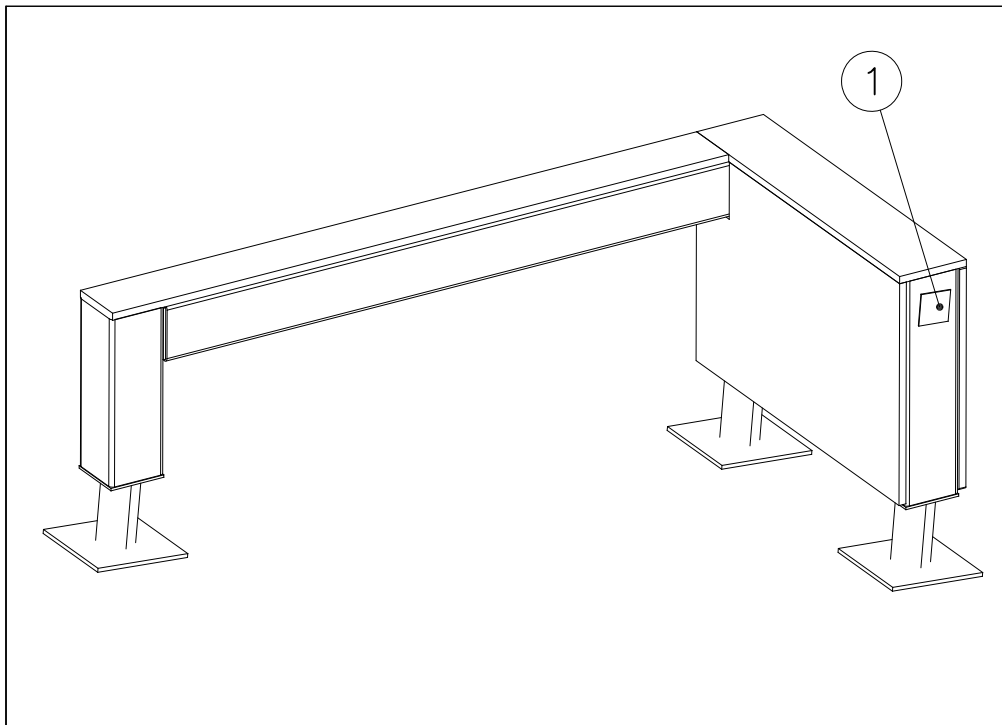
Ø7x60
980123


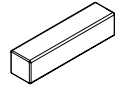

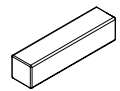
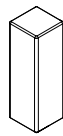


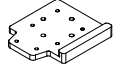
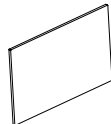




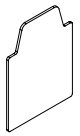
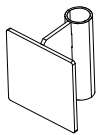
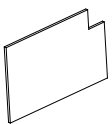





JIG DET A (USE DET 2-4)

NOTE:
Use drill jig 708857
to predrill $\text{Ø}5\sqrt{50}$
holes for 910266
and 908698

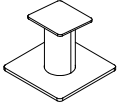





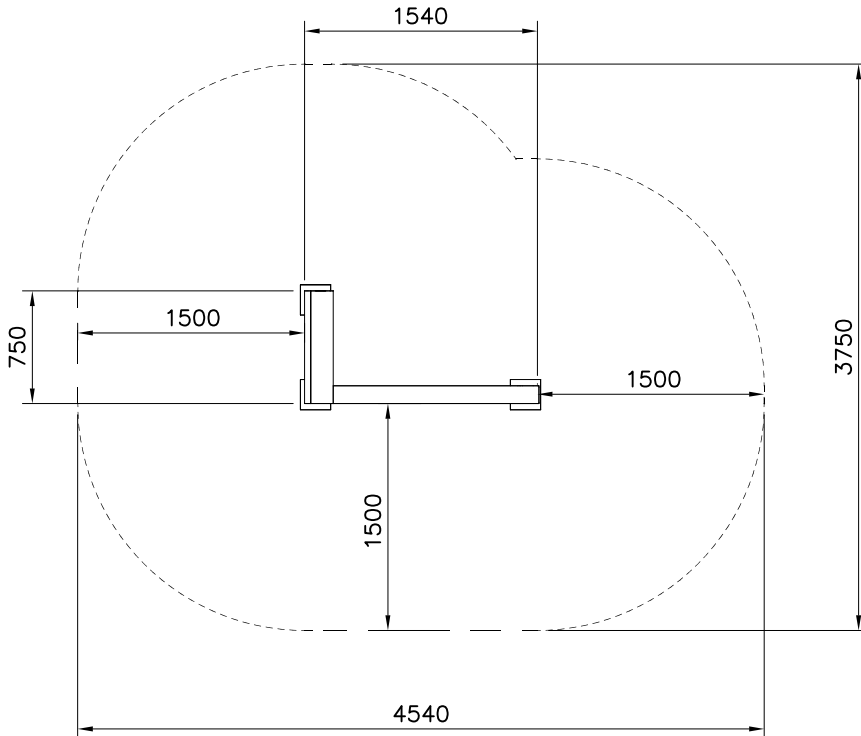
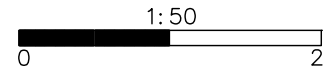
① 702286  65x65	PCS 1	② 707210  118x118x503	PCS 2
③ 707212  118x118x1254	PCS 1	④ 707889  118x118x472	PCS 2
⑤ 708443  118x118x352	PCS 1	⑥ 708733  15x148x745	PCS 1
⑦ 708734  15x118x1365	PCS 1	⑧ 708857 JIG  20x133x149	PCS 1
⑨ 708731  15x466x745	PCS 1	⑩ 900240  Ø8x70	PCS 16
⑪ 903093  Ø8x90	PCS 4	⑫ 905103  PT-28/32-H	PCS 2
⑬ 905112  Ø22	PCS 4	⑭ 908698  3x114x108	PCS 4
⑮ 910266  90x108x118	PCS 2	⑯ 708732  15x466x745	PCS 1

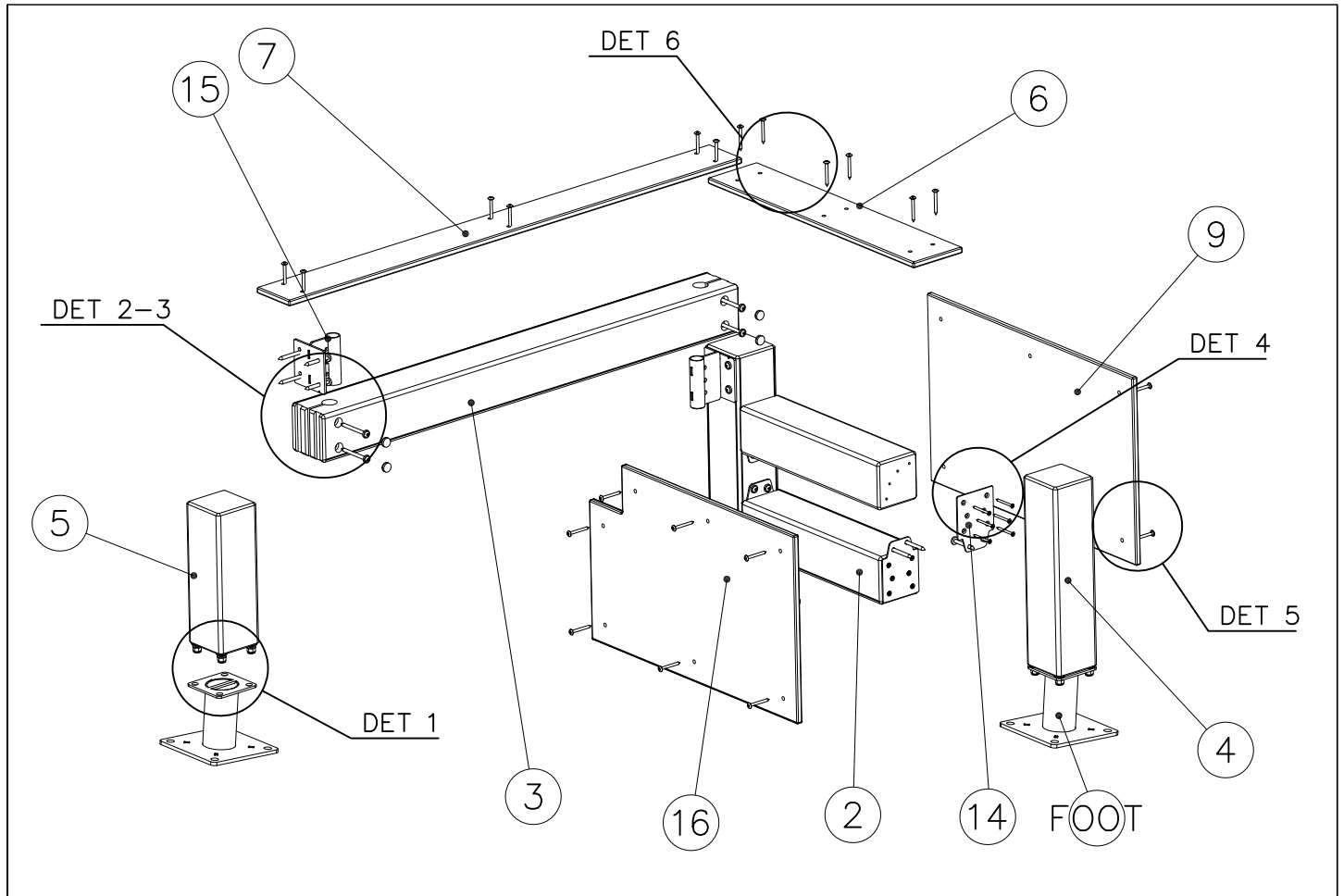
17	980100	PCS	18	980114	PCS	19	980123	PCS
		28			4			25
								
	Ø5x60			Ø4x20			Ø7x60	

FOOT OPTIONS

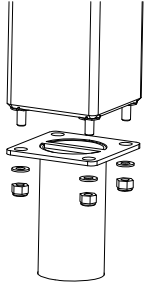
709261+		709262+	
○ 910267	PCS	○ 910567	PCS
SURFACE	3	CONCRETE	3
			
152x200x200		117x117x715	

----- Falling Space 13.8 m²
Max Falling Height 650 mm

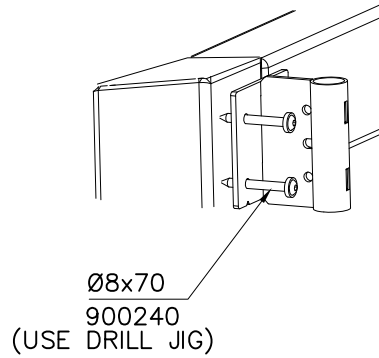




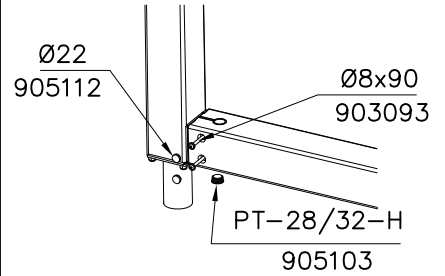
DET 1



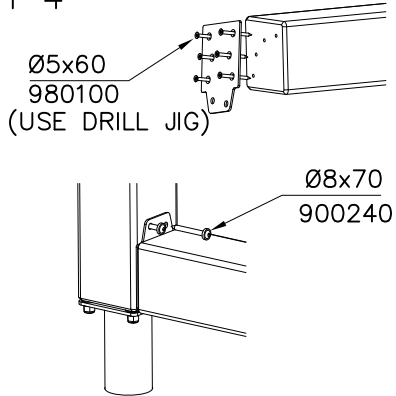
DET 2



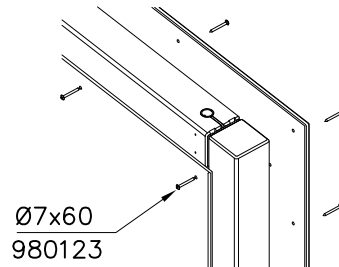
DET 3



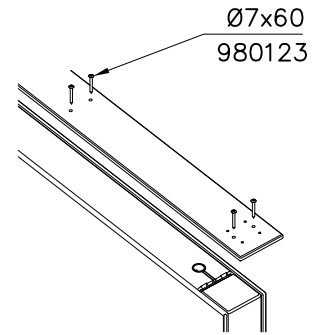
DET 4



DET 5

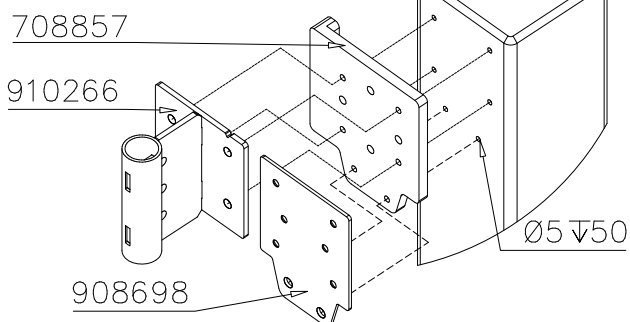


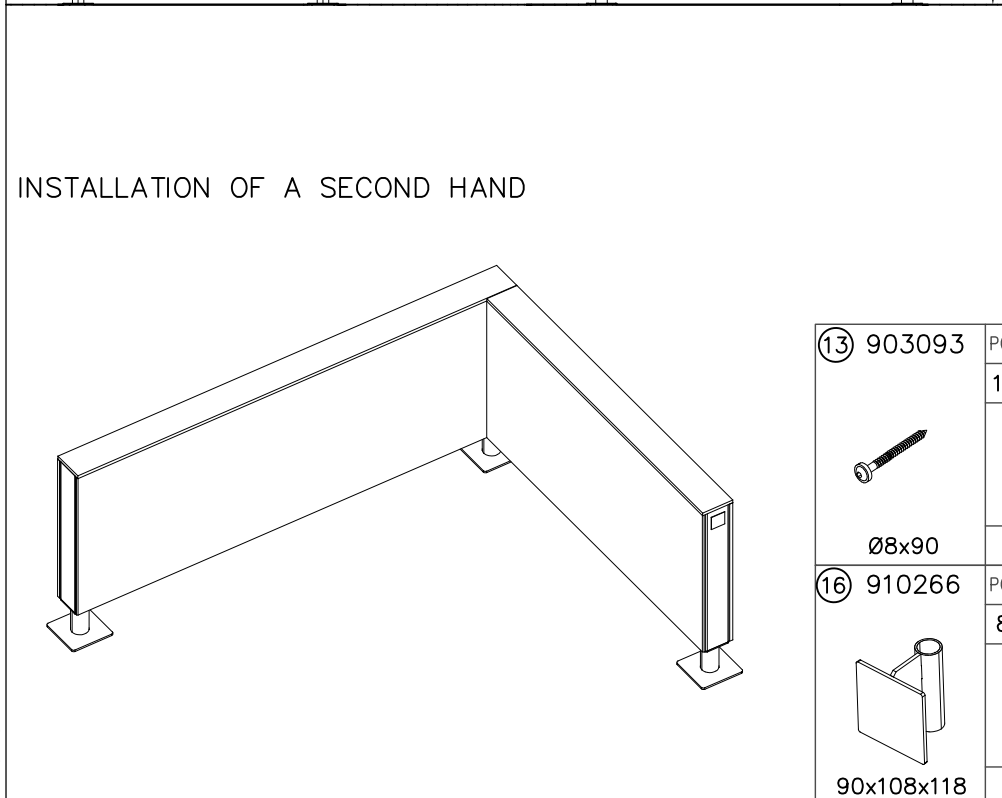
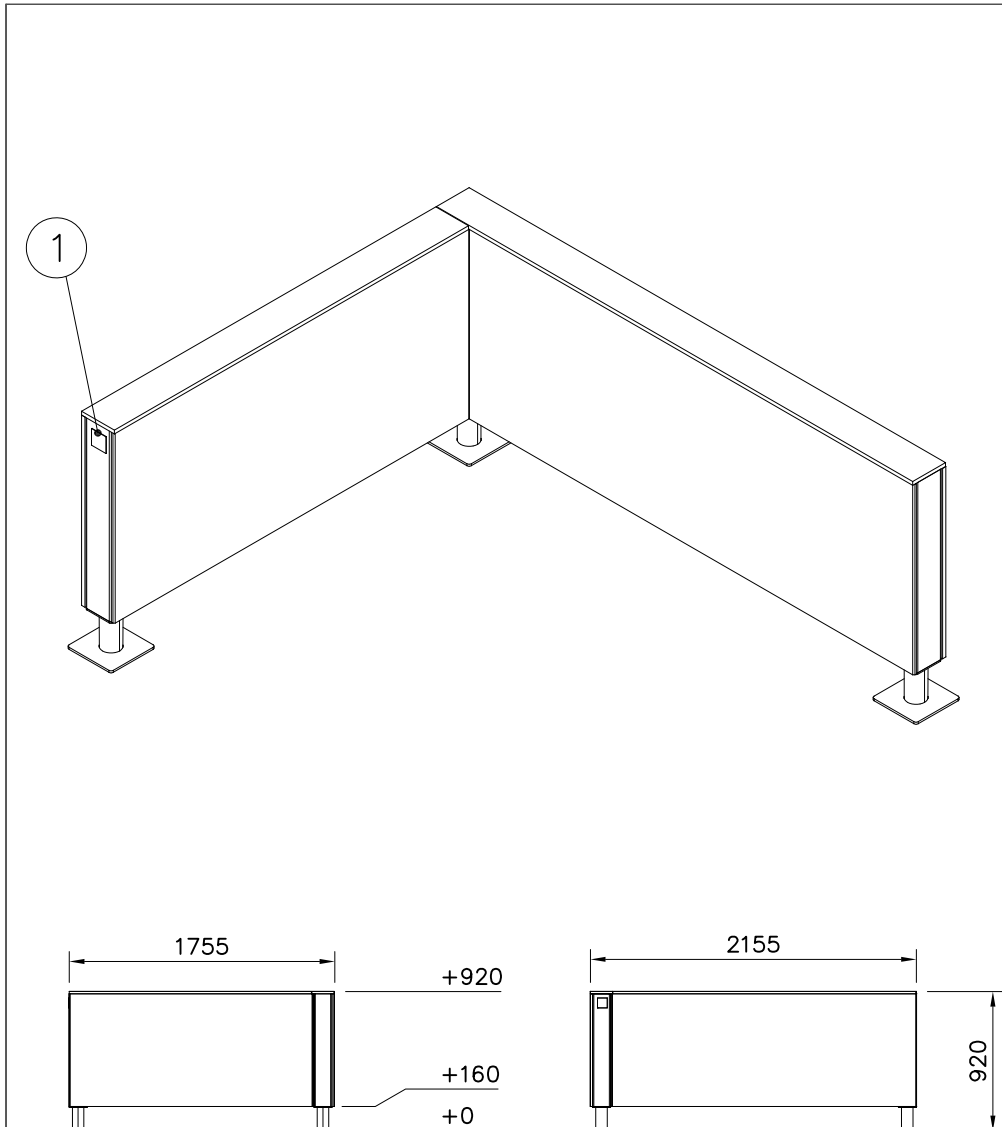
DET 6



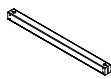


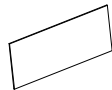

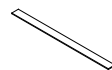
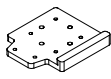
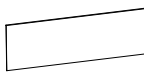





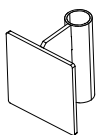




JIG DET A (USE DET 2-4)

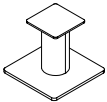
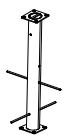
NOTE:
Use drill jig 708857
to predrill Ø5 ∇ 50
holes for 910266
and 908698



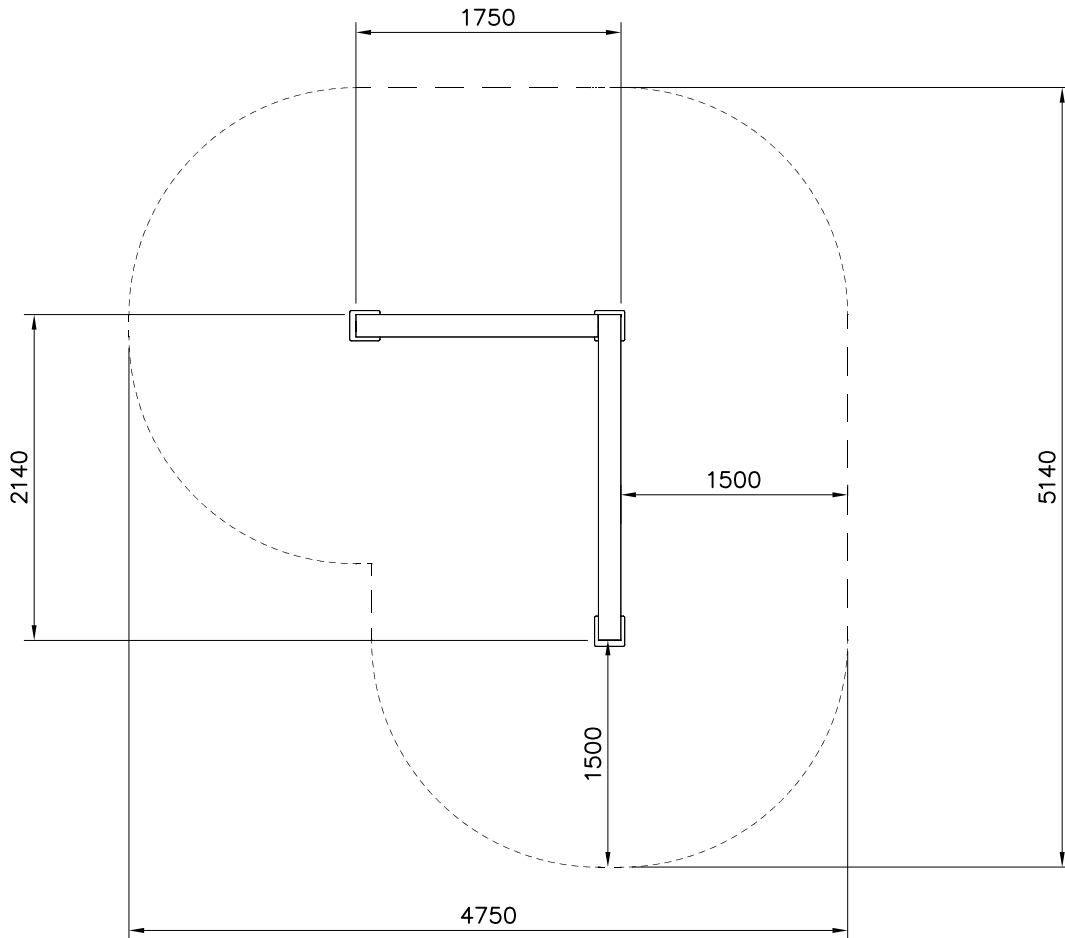
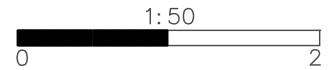


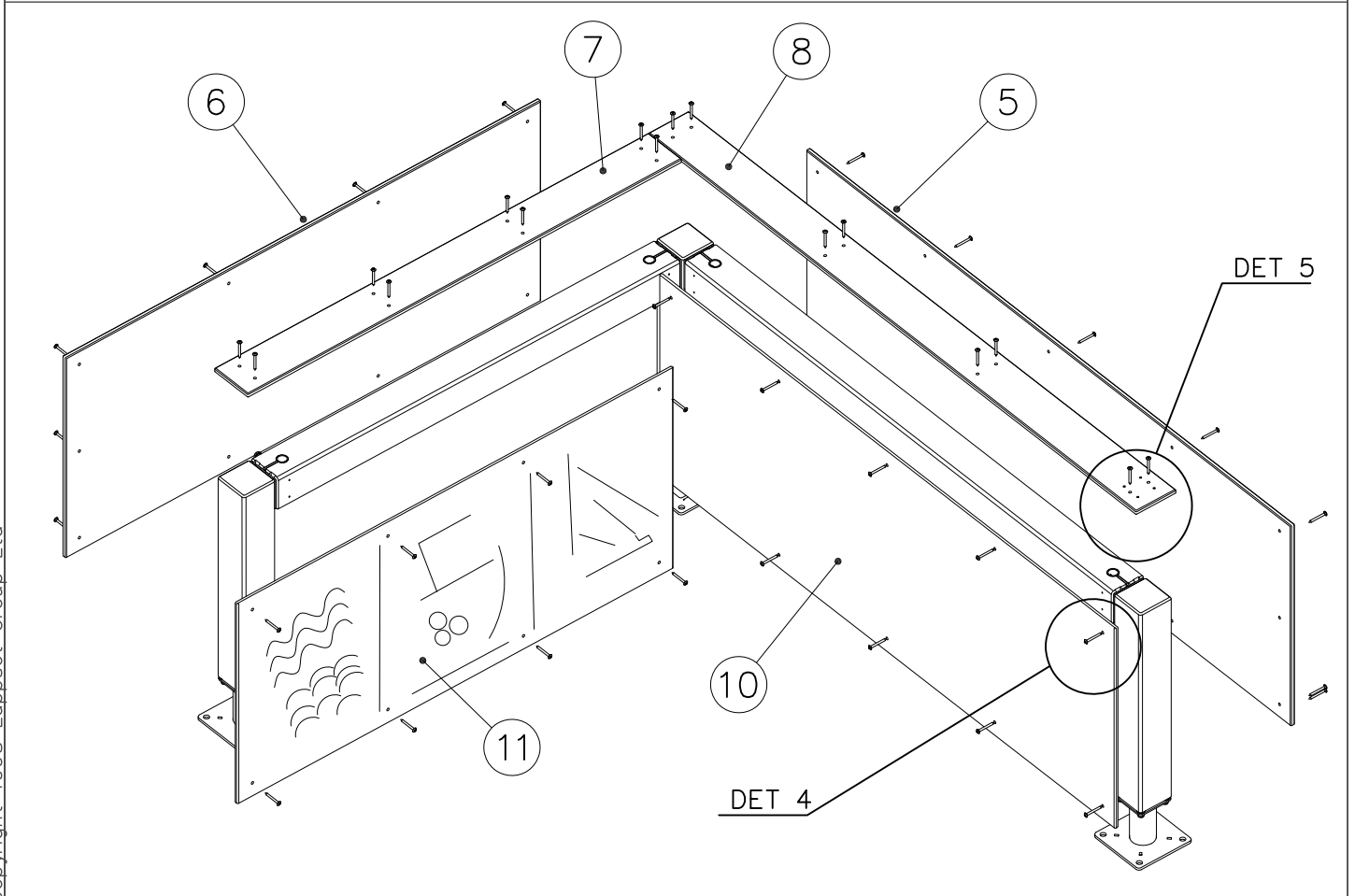
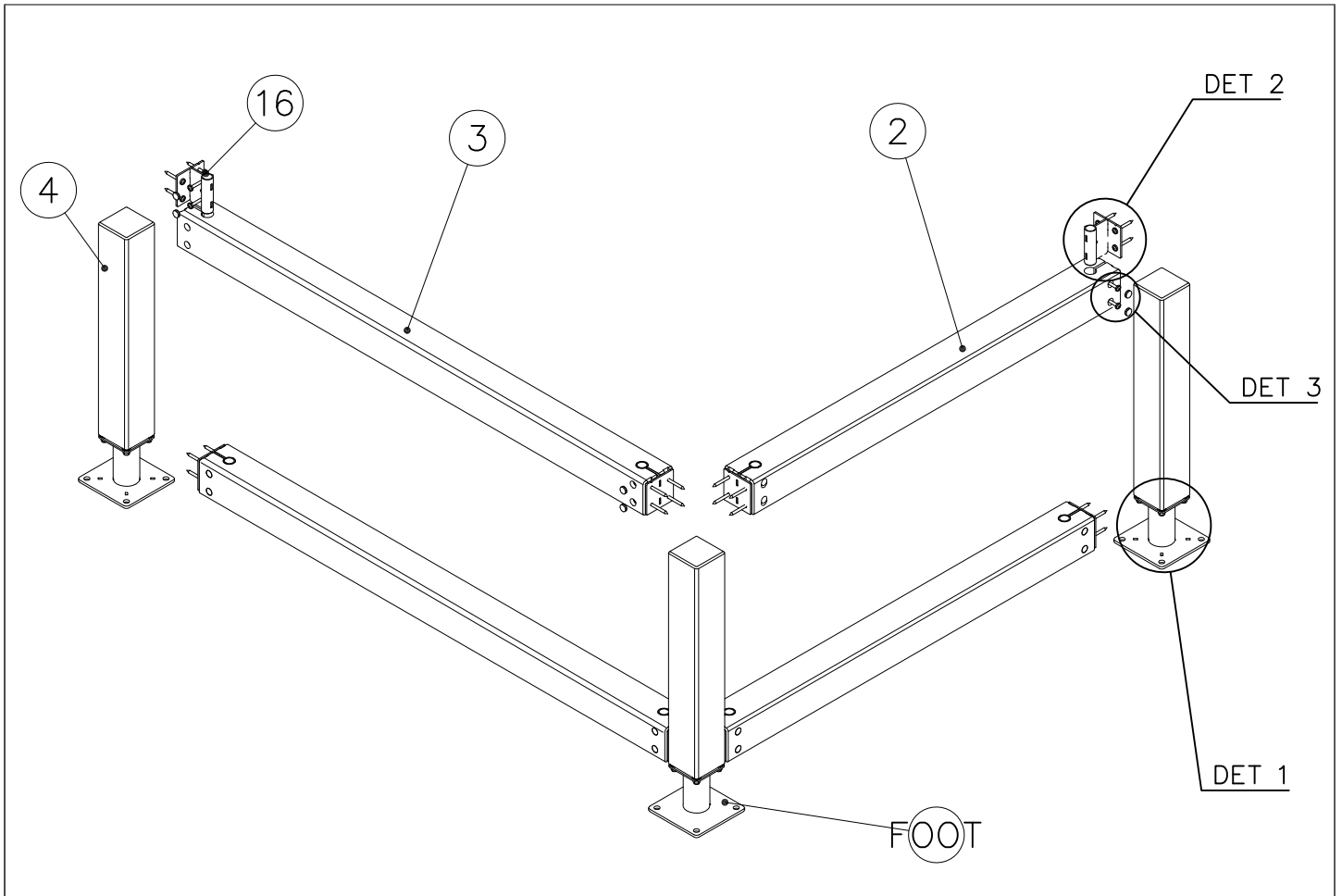
① 702286  65x65	PCS 1	② 707213  118x118x1490	PCS 2
③ 707517  118x118x1892	PCS 2	④ 708137  118x118x745	PCS 3
⑤ 708715  15x745x2140	PCS 1	⑥ 708716  15x745x1753	PCS 1
⑦ 708737  15x148x1601	PCS 1	⑧ 708738  15x148x2153	PCS 1
⑨ 708857 JIG  20x133x149	PCS 1	⑩ 911309 COLOR  12x745x2015	PCS 1
⑪ 911311 MURAL  12x745x1610	PCS 1	⑫ 900240  Ø8x70	PCS 32
⑬ 903093  Ø8x90	PCS 16	⑭ 905103  PT-28/32-H	PCS 8
⑮ 905112  Ø22	PCS 16	⑯ 910266  90x108x118	PCS 8
⑰ 980123  Ø7x60	PCS 56	⑱ 980114  Ø4x20	PCS 4

FOOT OPTIONS

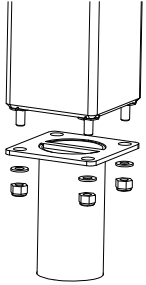
709261+		709262+	
<input type="radio"/> 910330	PCS	<input type="radio"/> 910567	PCS
SURFACE	3	CONCRETE	3
			
152x200x200		117x117x715	

----- Falling Space 18.8 m²
Max Falling Height 920 mm

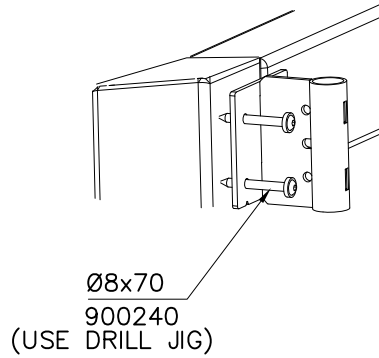




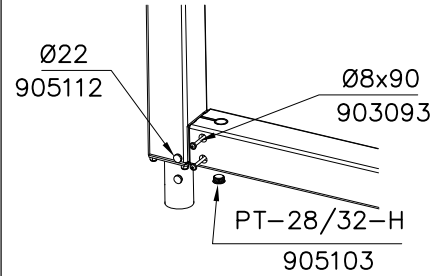
DET 1



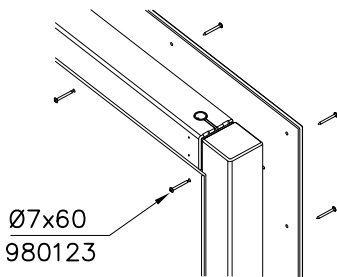
DET 2



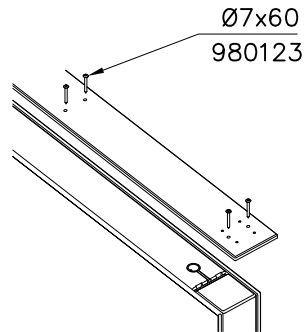
DET 3



DET 4

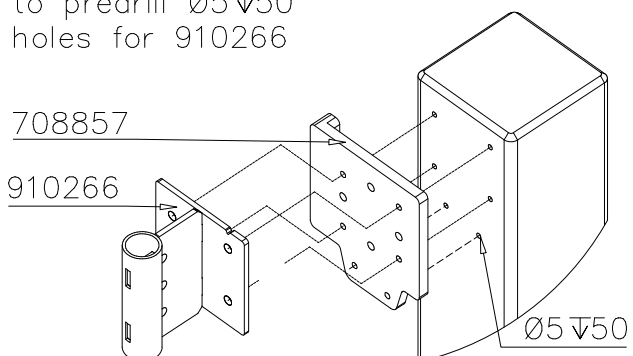


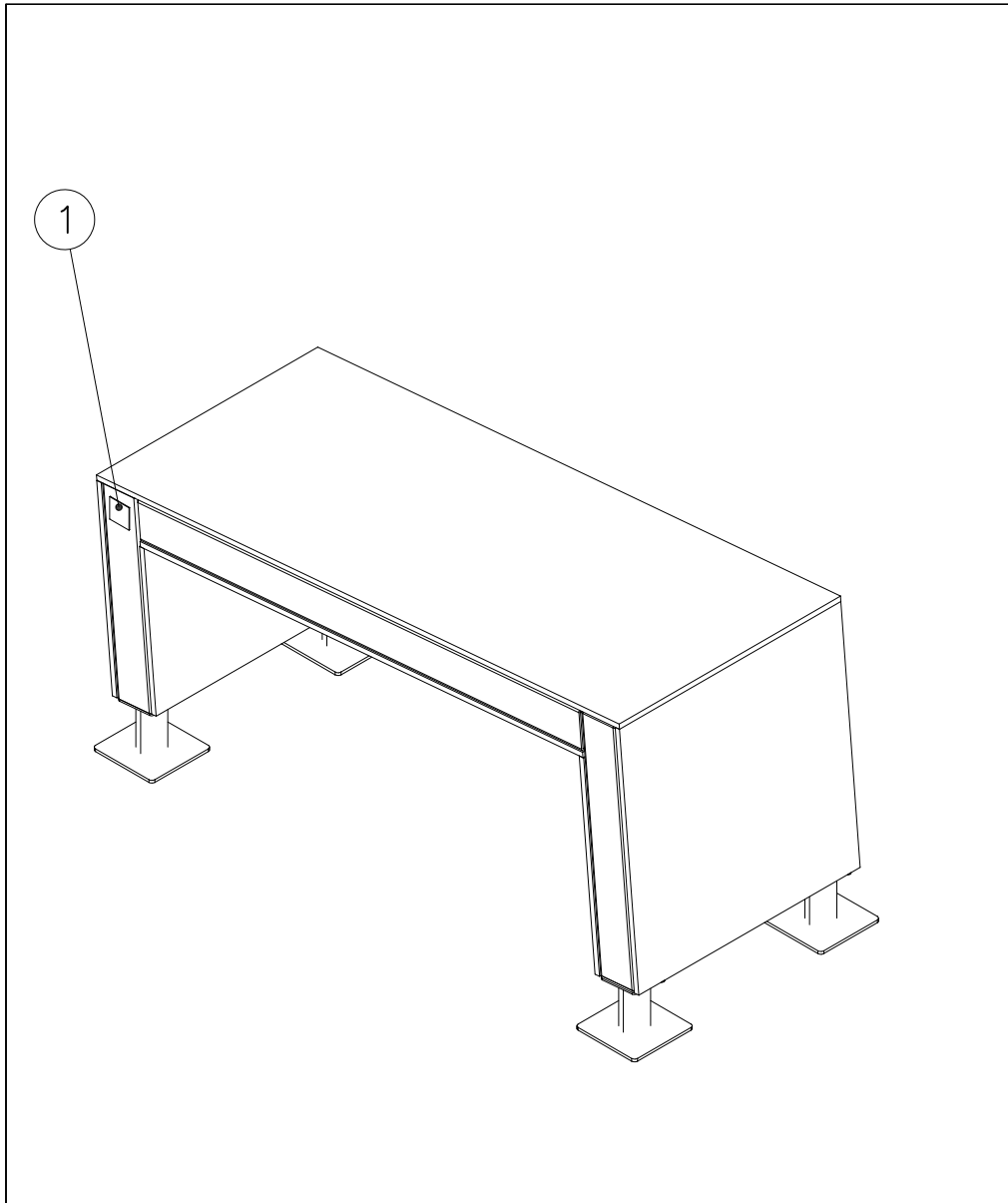
DET 5


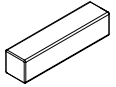



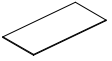
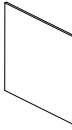

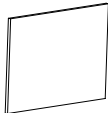
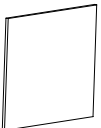
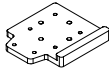

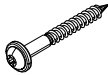

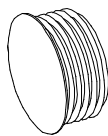
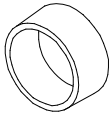


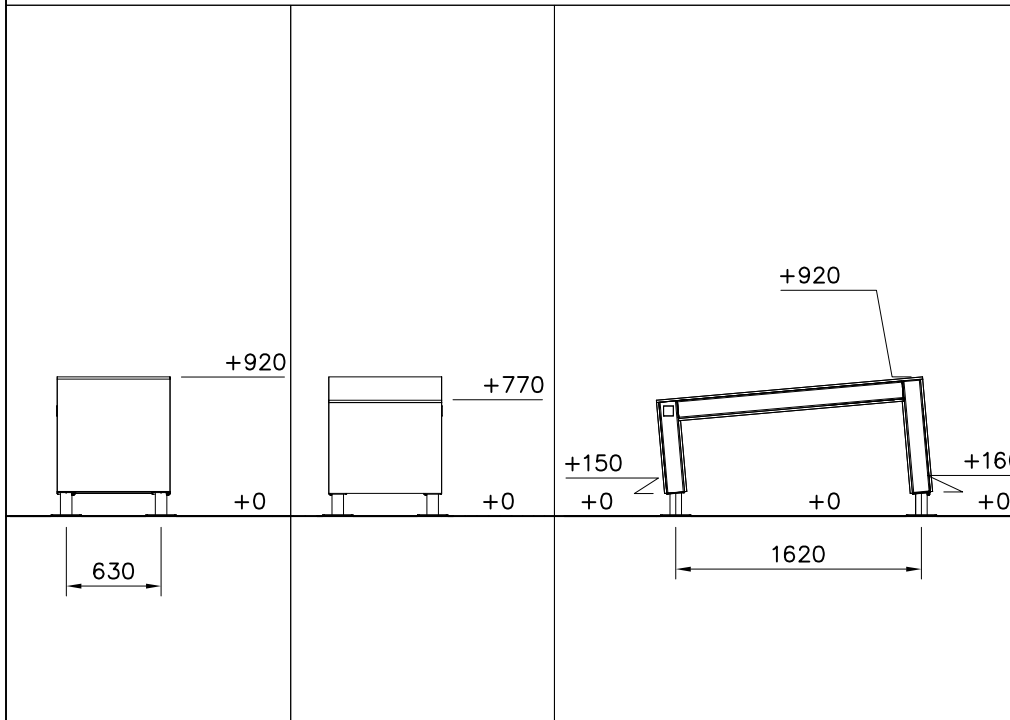
JIG DET A (USE DET 2)

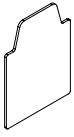
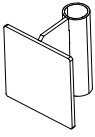



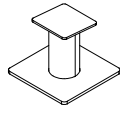

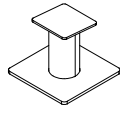

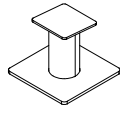

NOTE:
Use drill jig 708857
to predrill $\text{Ø}5 \nabla 50$
holes for 910266



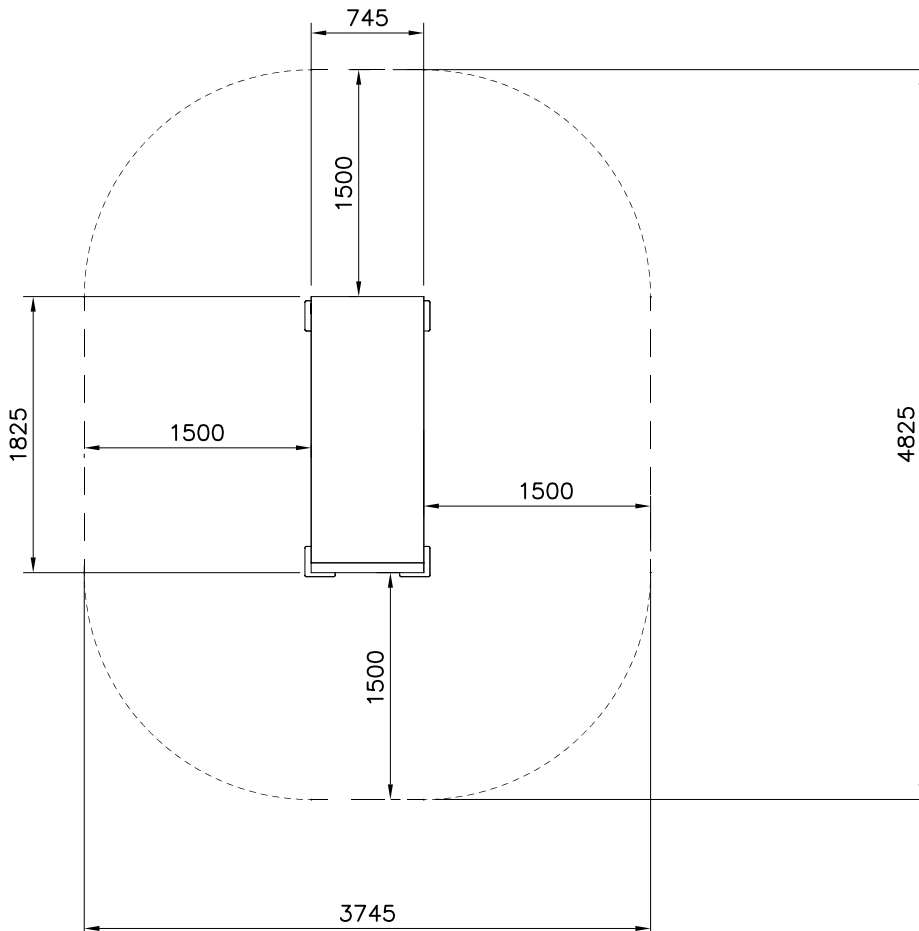
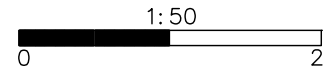


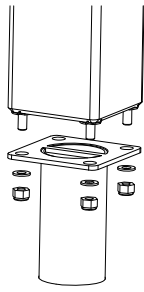
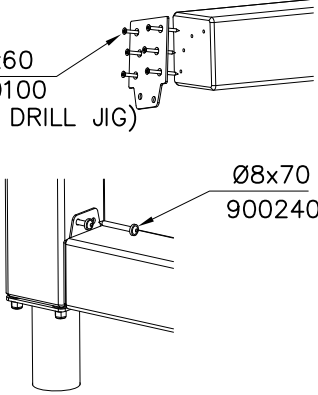
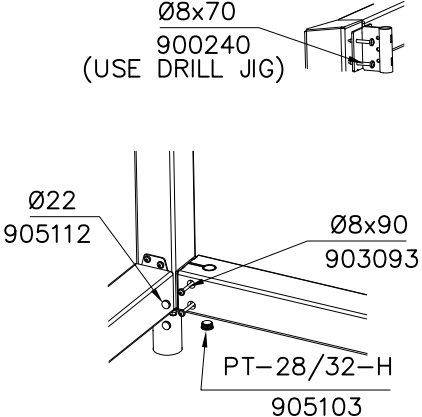
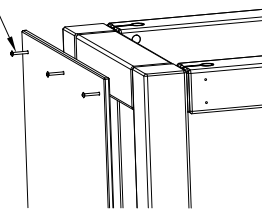
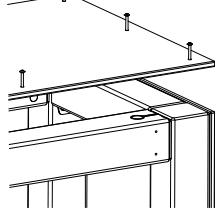
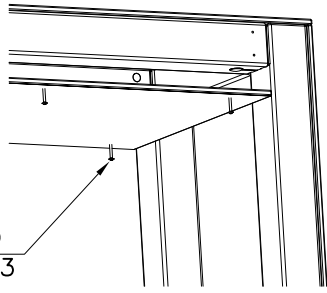
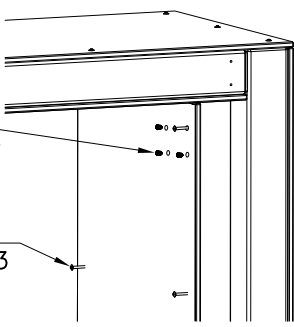
① 702286  65x65	PCS 1	② 707210  118x118x503	PCS 4
③ 707213  118x118x1490	PCS 2	④ 708127  118x118x603	PCS 2
⑤ 708137  118x118x745	PCS 2	⑥ 708721  15x745x1766	PCS 1
⑦ 708725  15x603x745	PCS 1	⑧ 708726  15x745x745	PCS 1
⑨ 708834  15x745x470	PCS 1	⑩ 708835  15x745x612	PCS 1
⑪ 708857 JIG  20x133x149	PCS 1	⑫ 709204  15x745x1495	PCS 1
⑬ 900240  Ø8x70	PCS 32	⑭ 903093  Ø8x90	PCS 8
⑮ 905103  PT-28/32-H	PCS 8	⑯ 905112  Ø22	PCS 8

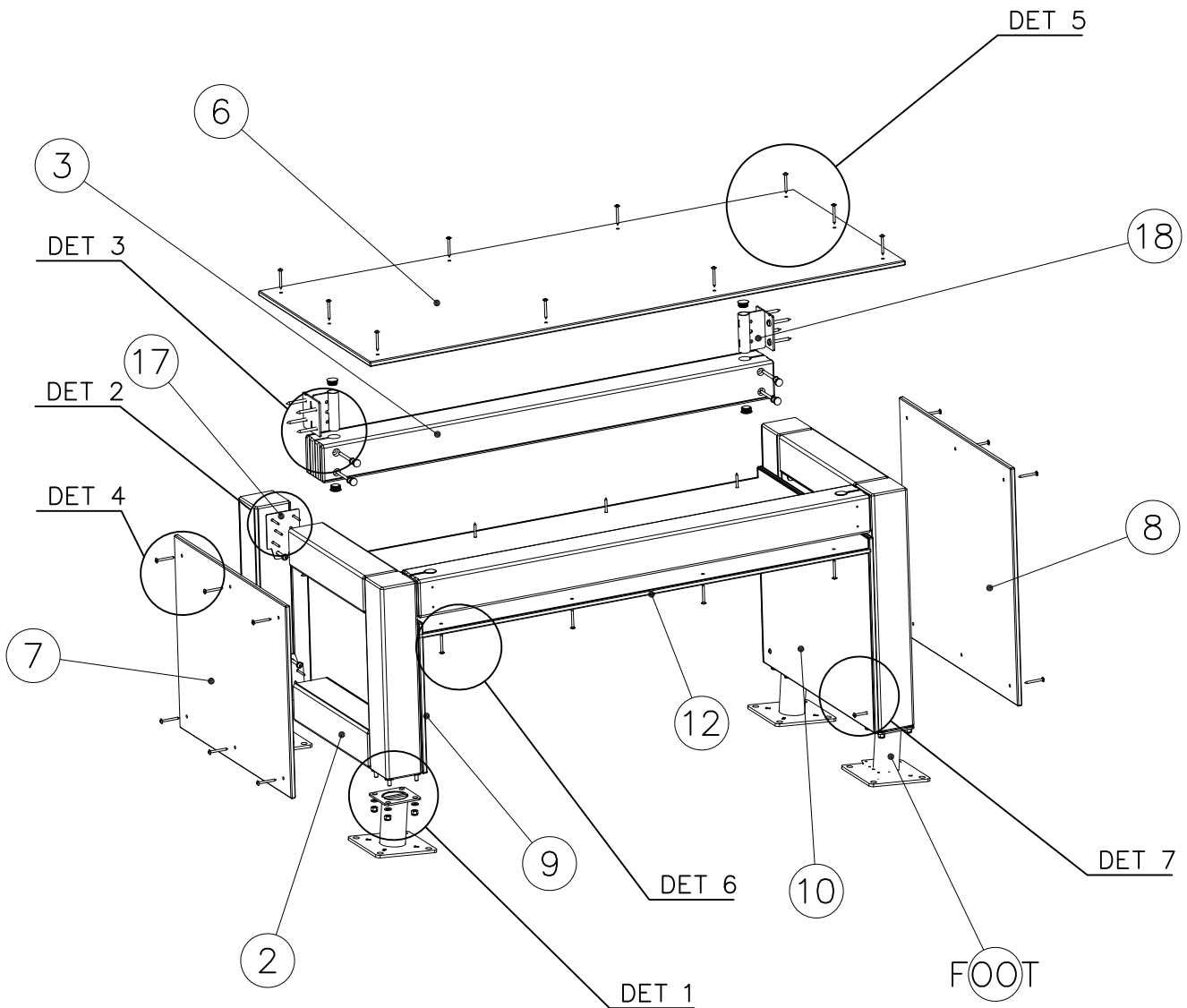


⑰ 908698	PCS	⑱ 910266	PCS	⑲ 980114	PCS	⑳ 980100	PCS	㉑ 980123	PCS		PCS		PCS																
	8		4		4		48		38																				
3x114x108		90x108x118		Ø4x20		Ø5x60		Ø7x60																					
	PCS		PCS		PCS					<p>FOOT OPTIONS</p> <p>709261+ 709262+</p> <table border="1"> <tr> <td>○ 910267</td> <td>PCS</td> <td>○ 910567</td> <td>PCS</td> </tr> <tr> <td>SURFACE</td> <td>4</td> <td>CONCRETE</td> <td>4</td> </tr> <tr> <td></td> <td></td> <td></td> <td></td> </tr> <tr> <td>152x200x200</td> <td></td> <td>117x117x715</td> <td></td> </tr> </table>				○ 910267	PCS	○ 910567	PCS	SURFACE	4	CONCRETE	4					152x200x200		117x117x715	
○ 910267	PCS	○ 910567	PCS																										
SURFACE	4	CONCRETE	4																										
																													
152x200x200		117x117x715																											

----- Falling Space 16.1 m²
 Max Falling Height 920 mm



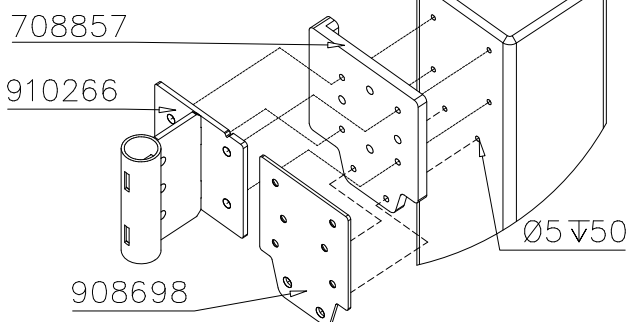
<p>DET 1</p> 	<p>DET 2</p>  <p>Ø5x60 980100 (USE DRILL JIG)</p> <p>Ø8x70 900240</p>	<p>DET 3</p>  <p>Ø8x70 900240 (USE DRILL JIG)</p> <p>Ø22 905112</p> <p>Ø8x90 903093</p> <p>PT-28/32-H 905103</p>
<p>DET 4</p>  <p>Ø7x60 980123</p>	<p>DET 5</p>  <p>Ø7x60 980123</p>	<p>DET 6</p>  <p>Ø7x60 980123</p>
<p>DET 7</p>  <p>SRL12 903533</p> <p>Ø7x60 980123</p>		

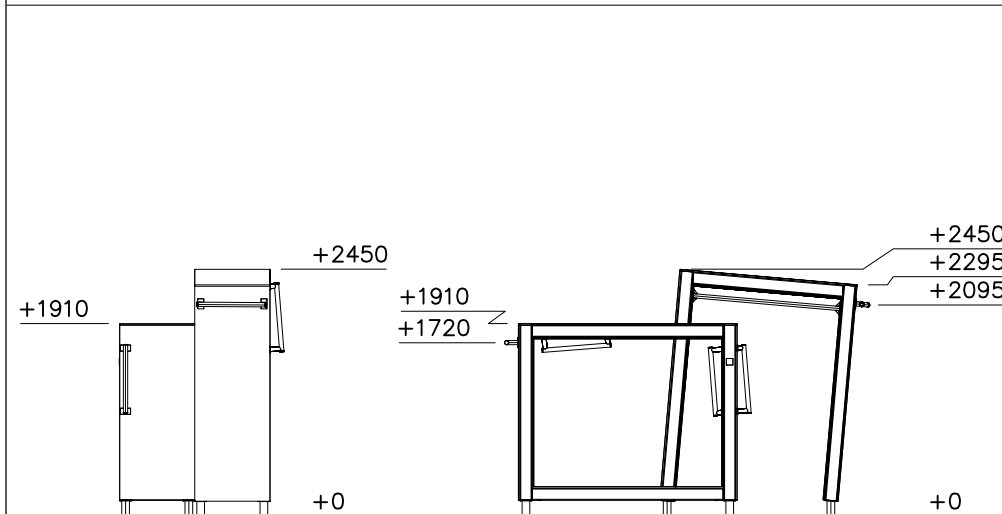
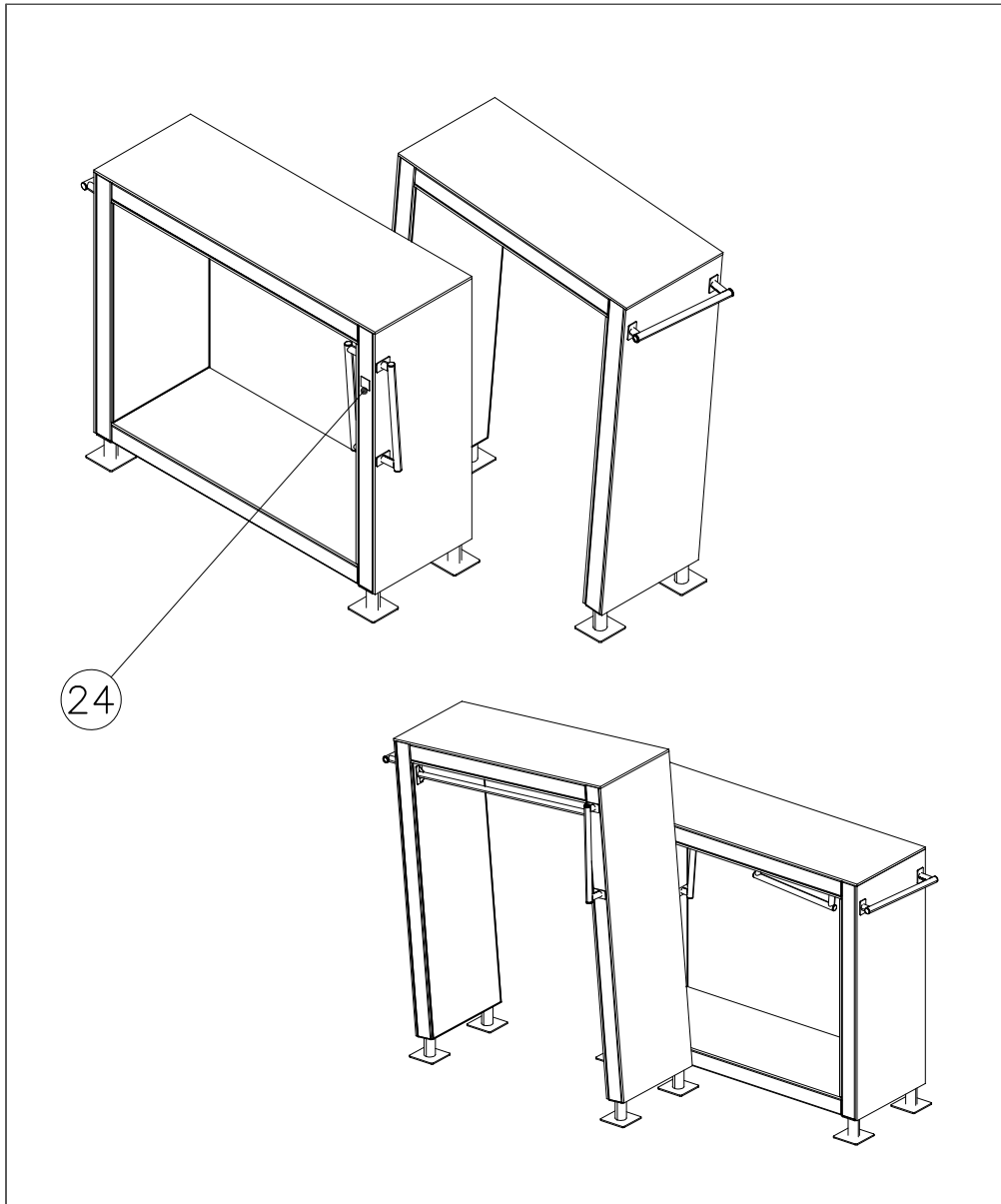


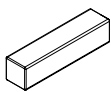

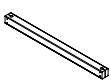



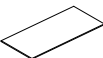
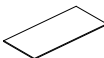


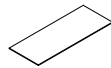
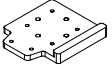
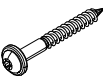

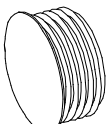
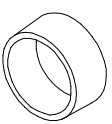
JIG DET A (USE DET 2-3)

NOTE:

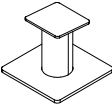
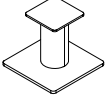

Use drill jig 708857 to predrill $\text{Ø}5 \nabla 50$ holes for 910266 and 908698



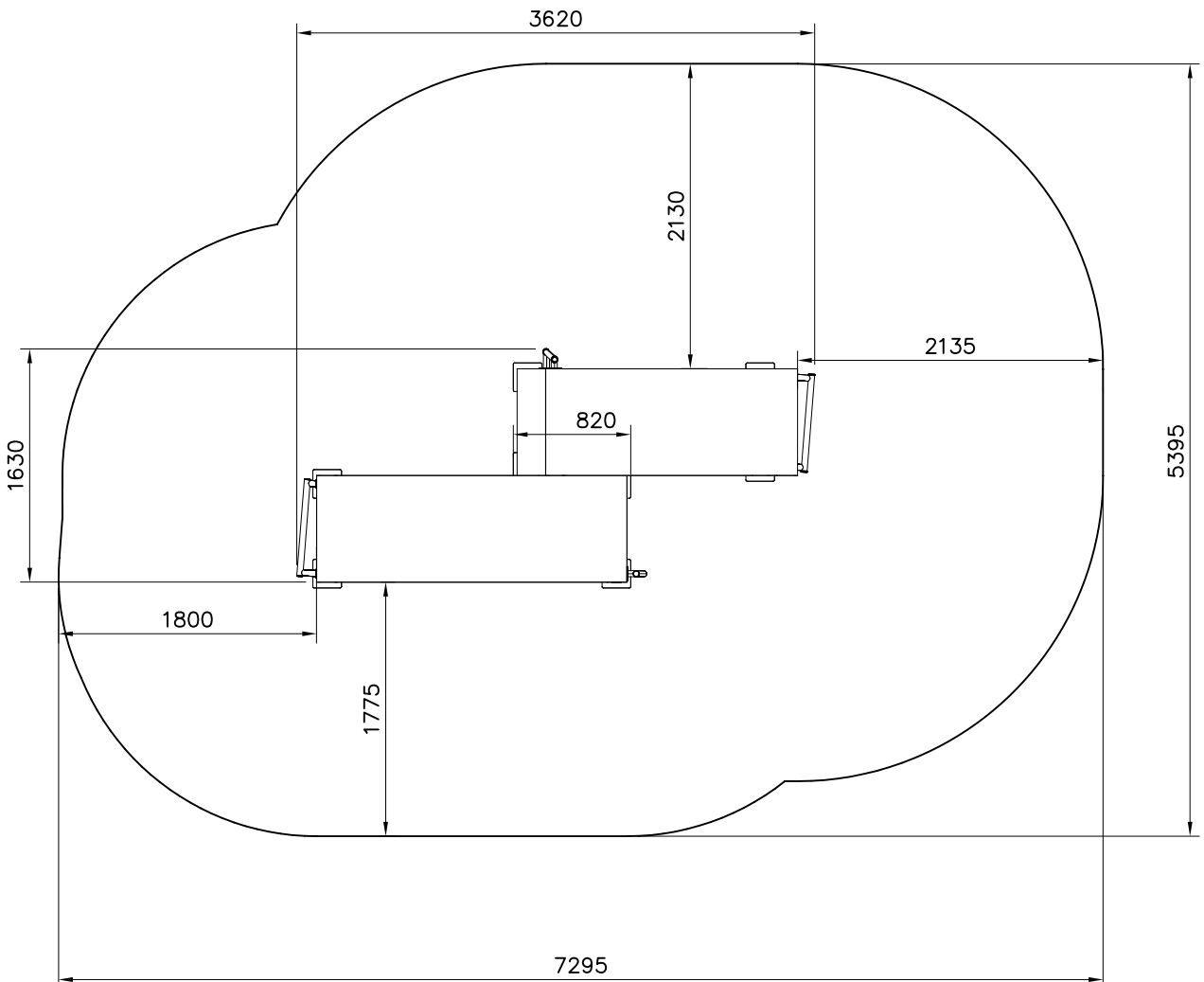
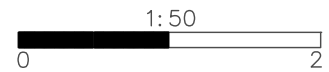


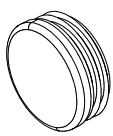
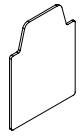

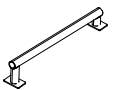
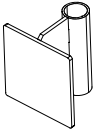




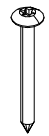


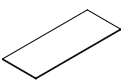
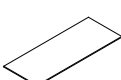


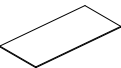


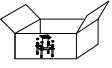
① 707210  118x118x503	PCS 8	② 707213  118x118x1490	PCS 2
③ 707517  118x118x1892	PCS 4	④ 708346  118x118x1736	PCS 4
⑤ 708522  118x118x2139	PCS 2	⑥ 708688  118x118x2279	PCS 2
⑦ 708721  15x745x1766	PCS 1	⑧ 708722  15x745x2280	PCS 1
⑨ 708836  15x745x1736	PCS 2	⑩ 708837  15x745x2168	PCS 1
⑪ 708839  15x745x1897	PCS 1	⑫ 708857  20x133x149	PCS 1
⑬ 900240  Ø8x70	PCS 112	⑭ 903093  Ø8x90	PCS 24
⑮ 905103  PT-28/32-H	PCS 16	⑯ 905112  Ø22	PCS 24

FOOT OPTIONS

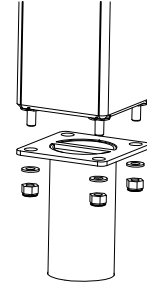
709261+		709261+		709262+	
○ 910267	PCS	○ 910330	PCS	○ 910567	PCS
SURFACE	4	SURFACE	4	CONCRETE	8
					
152x200x200		152x200x200		117x117x715	

- EN Impact Attenuating Surface (IAS) 32.7 m²
- - - Falling Space 32.7 m²
Max Falling Height 2450 mm

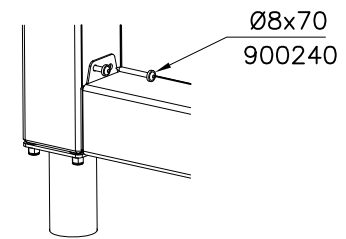
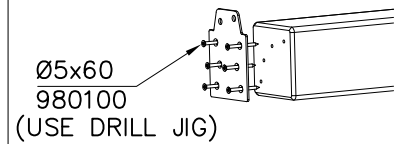


<p>17 908371 PCS 12</p>  <p>42-38/40</p>	<p>18 908698 PCS 16</p>  <p>3x114x108</p>	<p>33 980114 PCS 4</p>  <p>Ø4x20</p>
<p>19 910056 PCS 6</p>  <p>140x690</p>	<p>20 910266 PCS 12</p>  <p>90x108x118</p>	<p>34 905086 PCS 3</p>  <p>Ø44/13.5x3.9</p>
<p>21 910328 PCS 1</p>  <p>L 1466</p>	<p>22 980100 PCS 96</p>  <p>Ø5x60</p>	<p>35 909248 PCS 1</p>  <p>M12</p>
<p>23 980123 PCS 129</p>  <p>Ø7x60</p>	<p>24 702286 PCS 1</p>  <p>65x65</p>	<p>36 909132 PCS 1</p>  <p>M12x280</p>
<p>25 911288 COLOR PCS 2</p>  <p>15x745x1465</p>	<p>26 911289 COLOR PCS 1</p>  <p>15x745x1897</p>	
<p>27 909225 PCS 1</p>  <p>Ø12x180</p>	<p>28 911297 MURAL PCS 1</p>  <p>12x745x2140</p>	
<p>29 911293 COLOR PCS 1</p>  <p>15x745x2145</p>	<p>30 911295 COLOR PCS 1</p>  <p>15x745x2004</p>	
<p>31 911301 COLOR PCS 1</p>  <p>15x745x1495</p>	<p>32 709261 PCS 8</p> 	

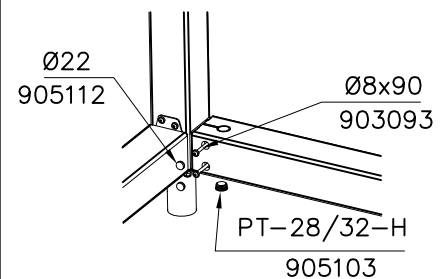
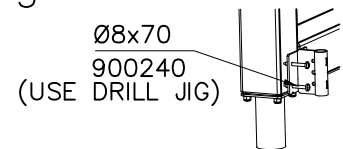
DET 1



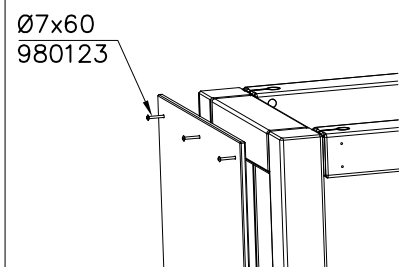
DET 2

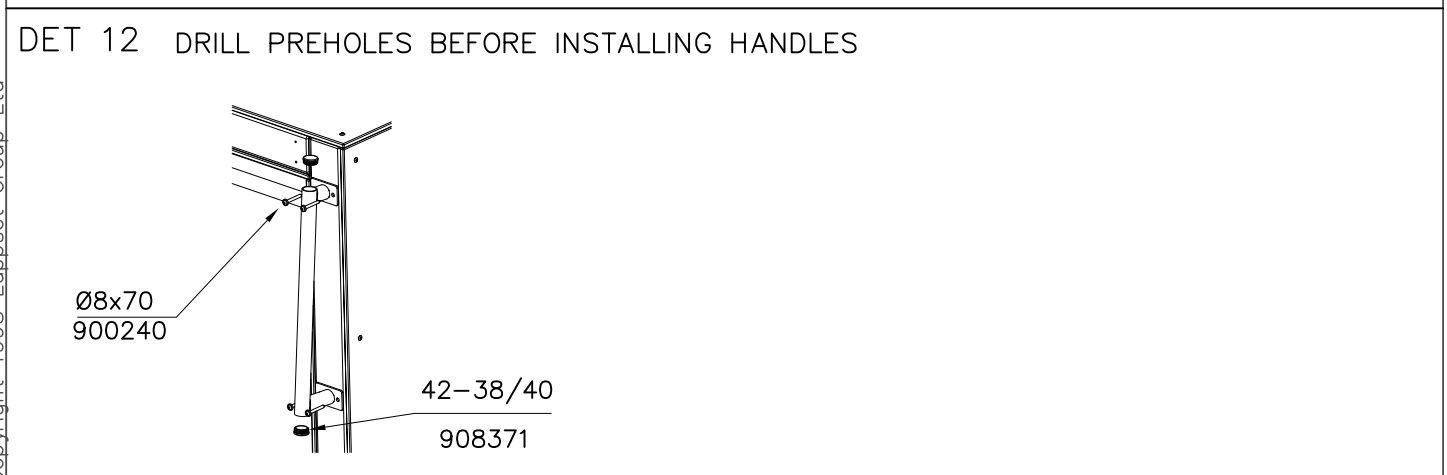
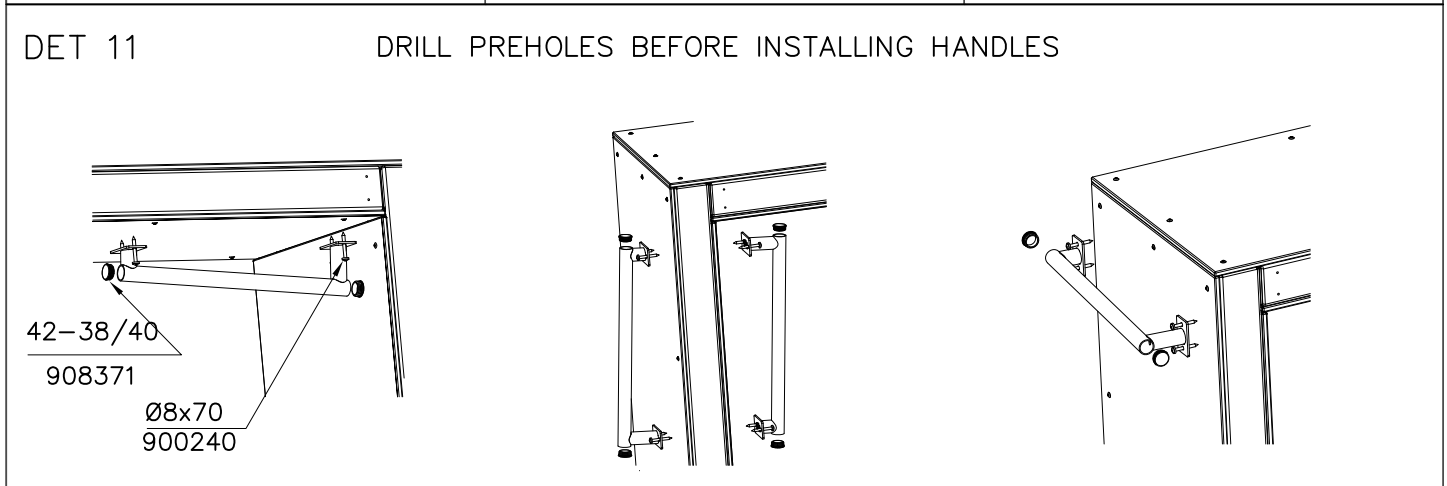
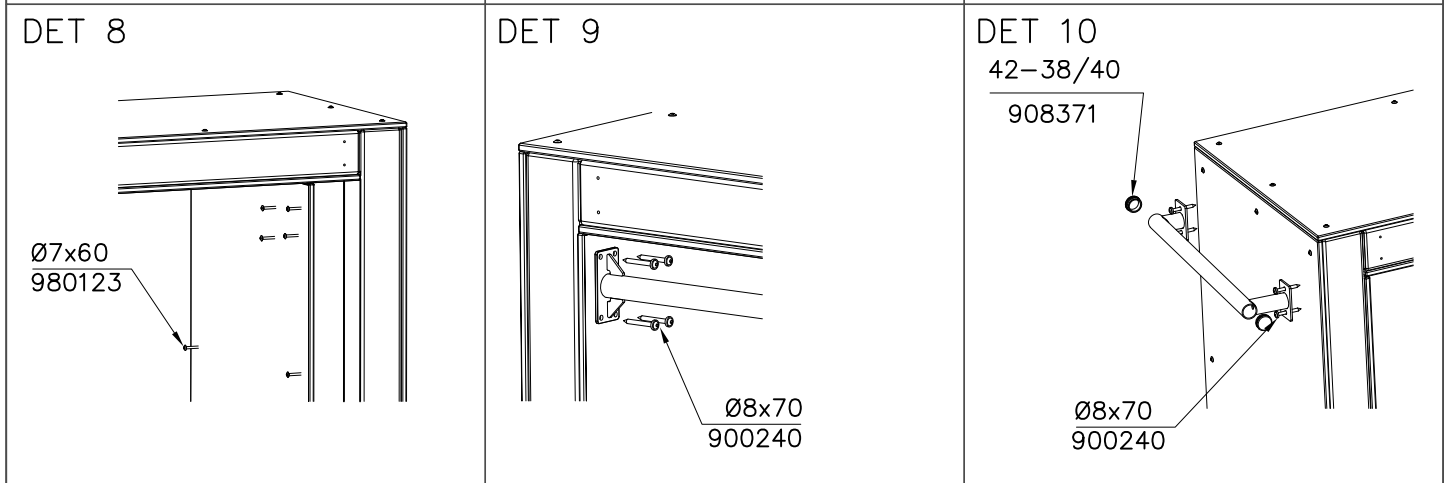
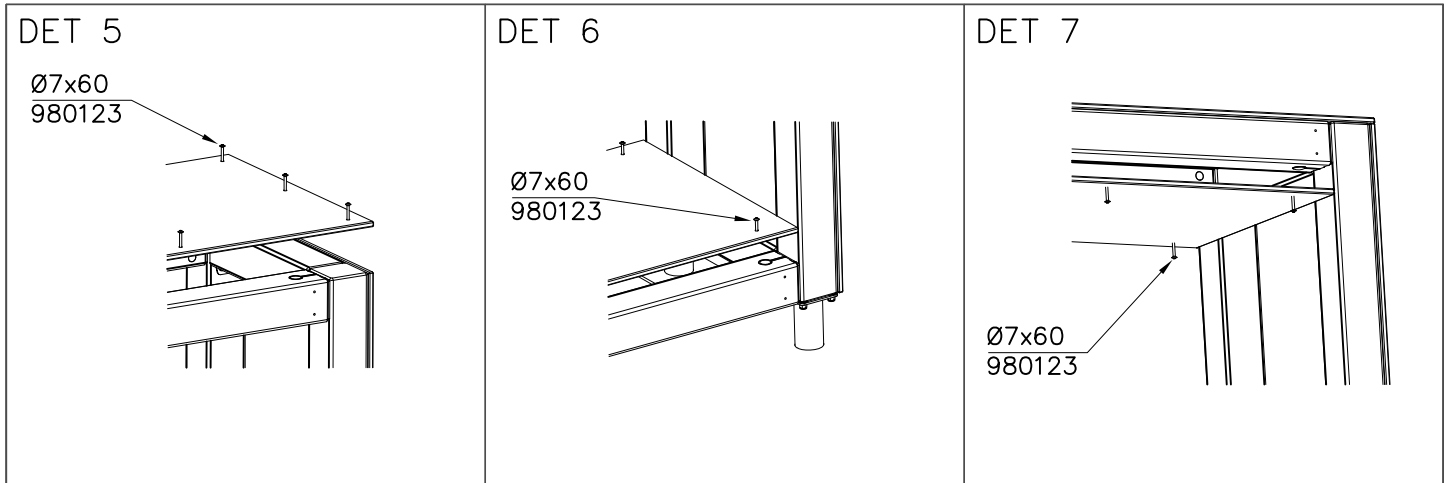


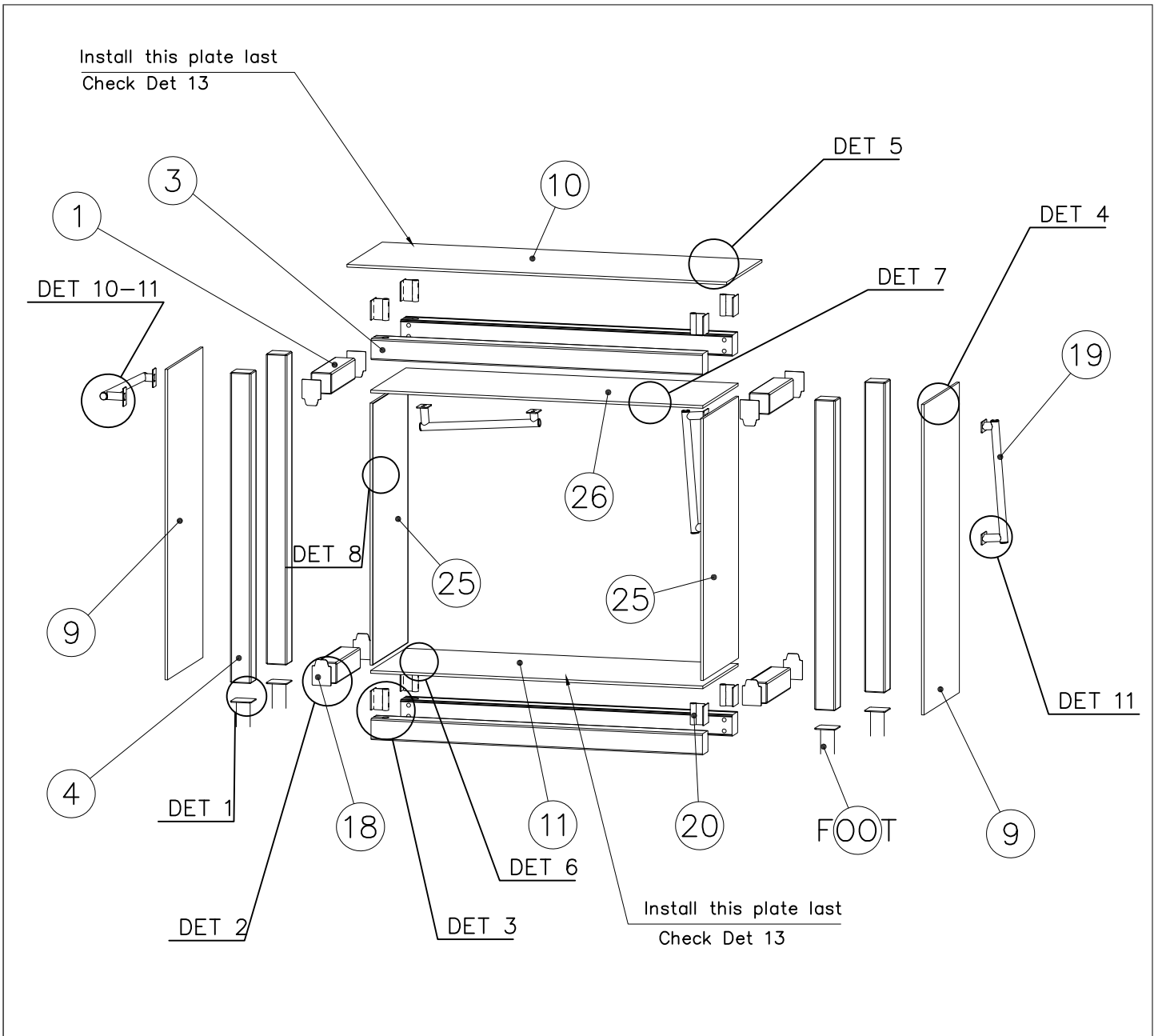
DET 3



DET 4







JIG DET A (USE DET 2-3)

NOTE:

Use drill jig 708857 to predrill $\varnothing 5 \nabla 50$ holes for 910266 and 908698

708857

910266

908698

$\varnothing 5 \nabla 50$

JIG DET B (USE DET 10-11)

Plywood

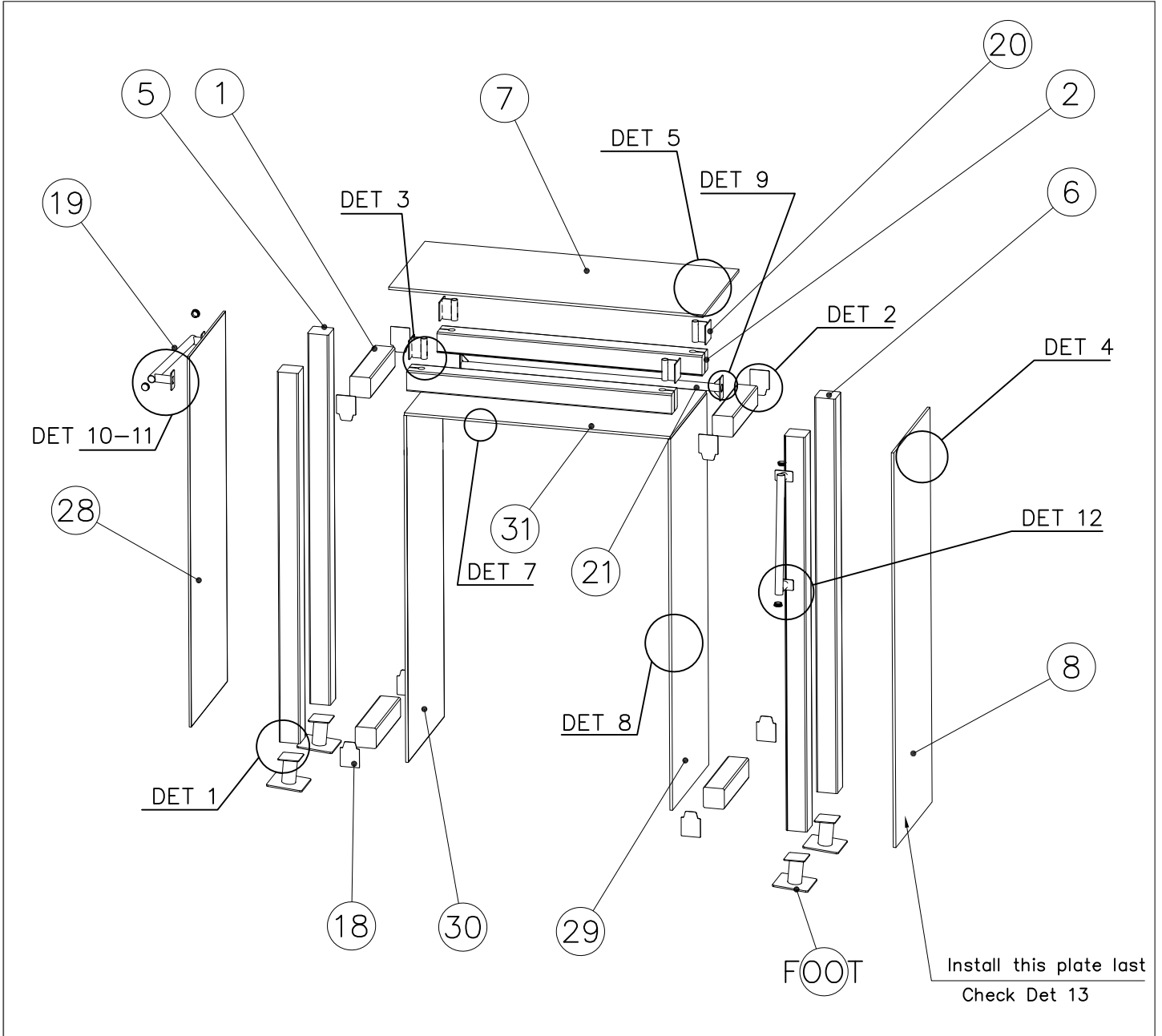
Frame

708857

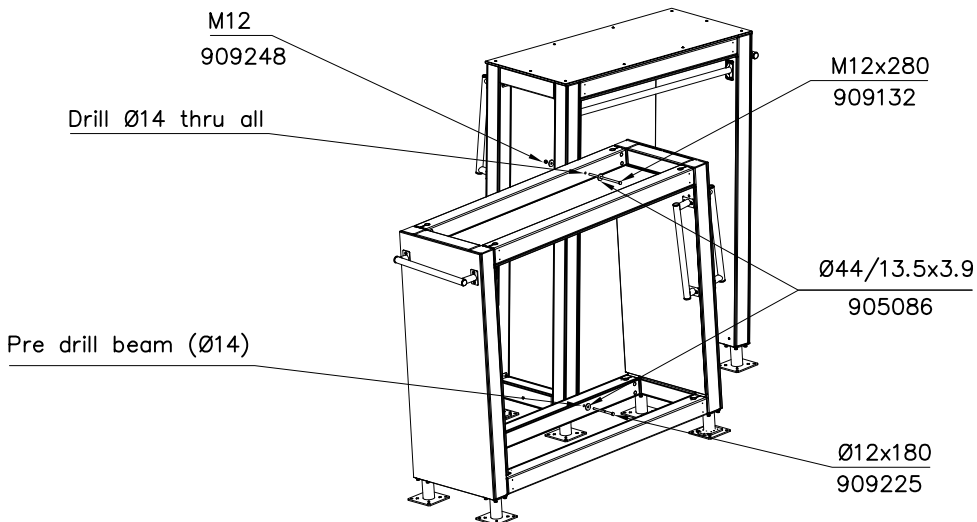
910056

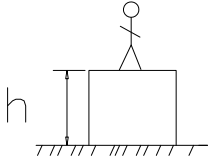
$\varnothing 8 \times 70$
(900240)

$\varnothing 8 \nabla 15$



DET 13





$h < 1600$

Totally hard surfaces or materials with very limited impact attenuating properties.

Case by case risk assessment is needed including e.g. evaluation whether there is forced movement, what is the intended exercise and where will the product be installed.

Materials with significant impact attenuating properties.

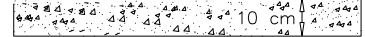
Totally hard surfaces.
E.g. concrete or asphalt



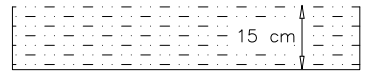
Materials with very limited impact attenuating properties.
E.g. wood



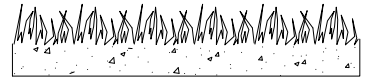
fine gravel 0–8 mm



Unsorted sand/ topsoil



Lawn

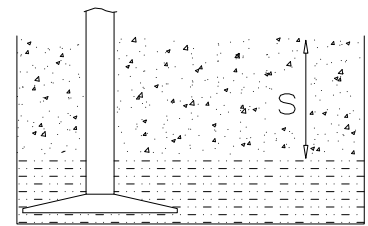


$h = 1600-$

$h < 3000$

Loose fill material

E.g.
sand/gravel 0,25...8 mm $D_{60}/D_{10} < 3,0$
Woodchips 5...30 mm
bark 20...80 mm



\underline{S}
30 cm \underline{h}
 < 3,0 m

Synthetic granulates

\underline{S}	\underline{h}
40 mm	~> 1,6...~< 1,8 m
50 mm	~> 1,8...~< 2,25 m
55 mm	~> 2,25...~< 2,4 m
60 mm	~> 2,4...~< 2,55 m
70 mm	~> 2,55...~< 3,0 m

Note. For accurate values, see manufacturer's instructions.

