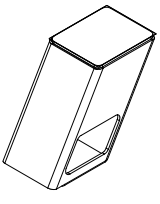

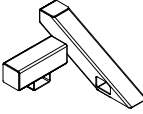

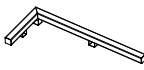

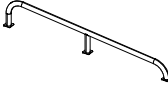

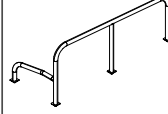

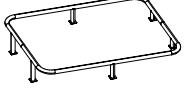

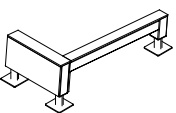

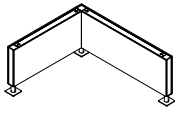

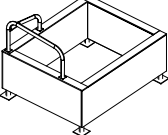

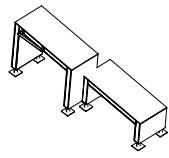

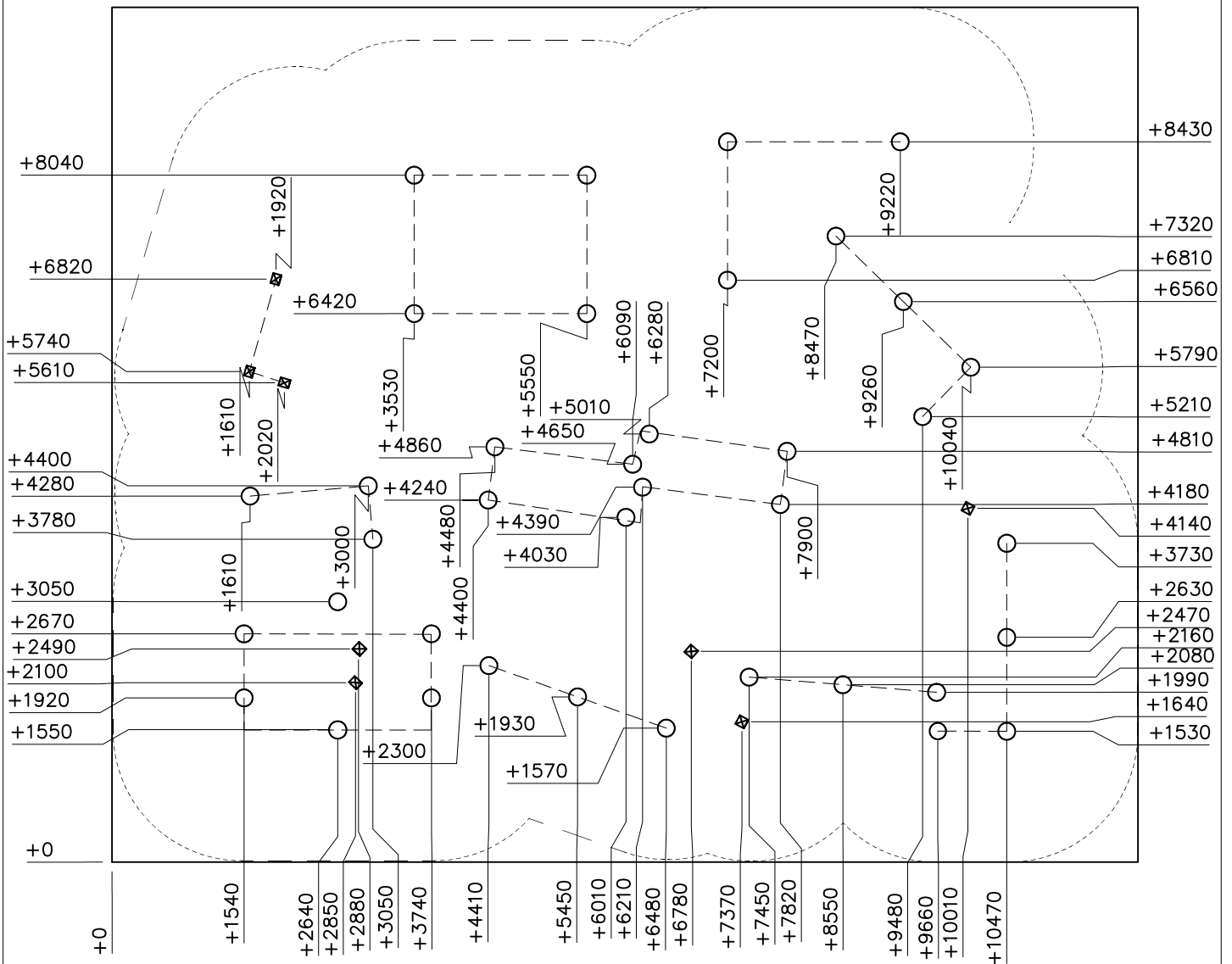
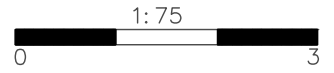
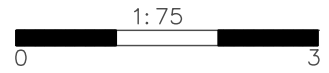


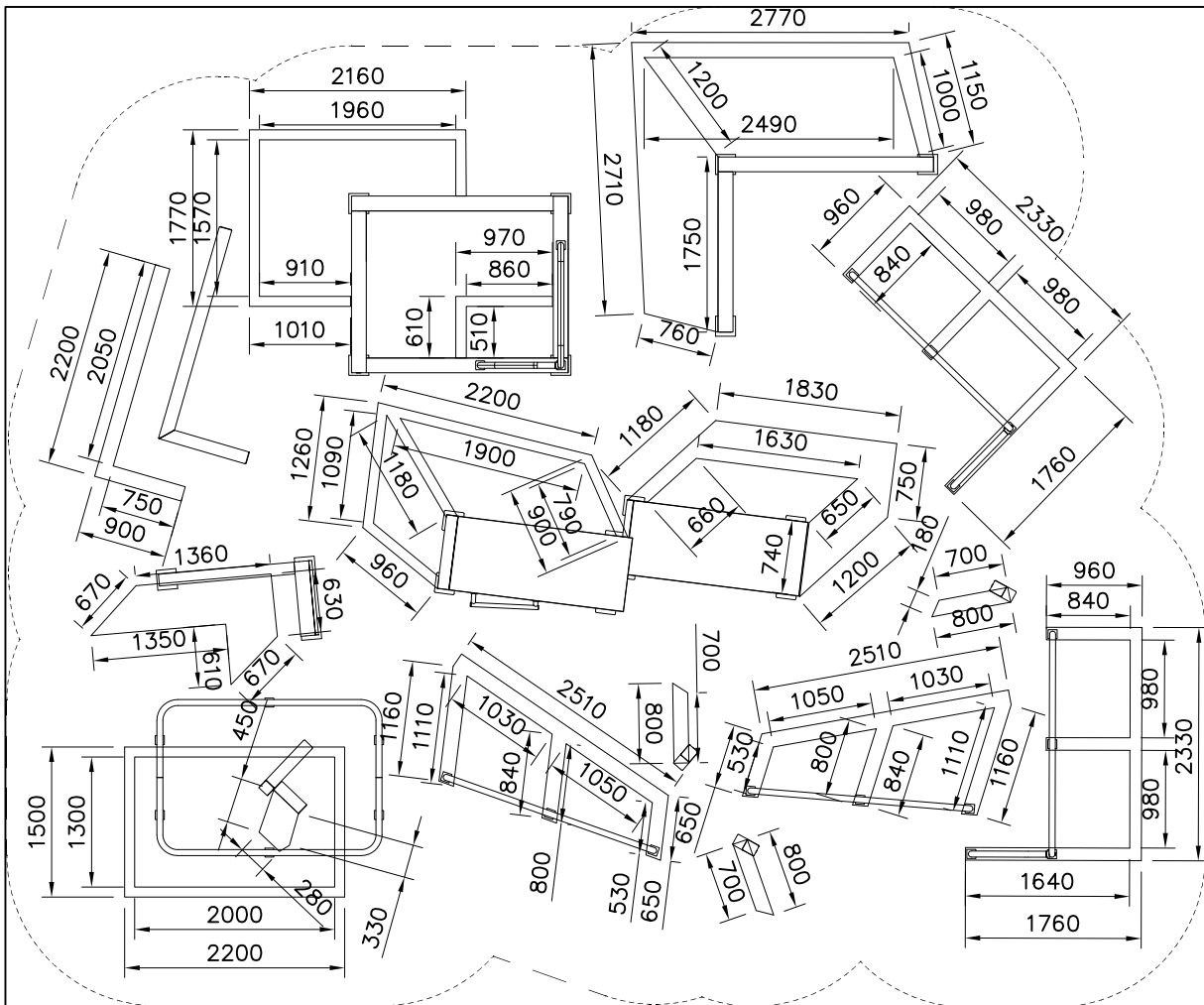
DATE: 29.3.2021

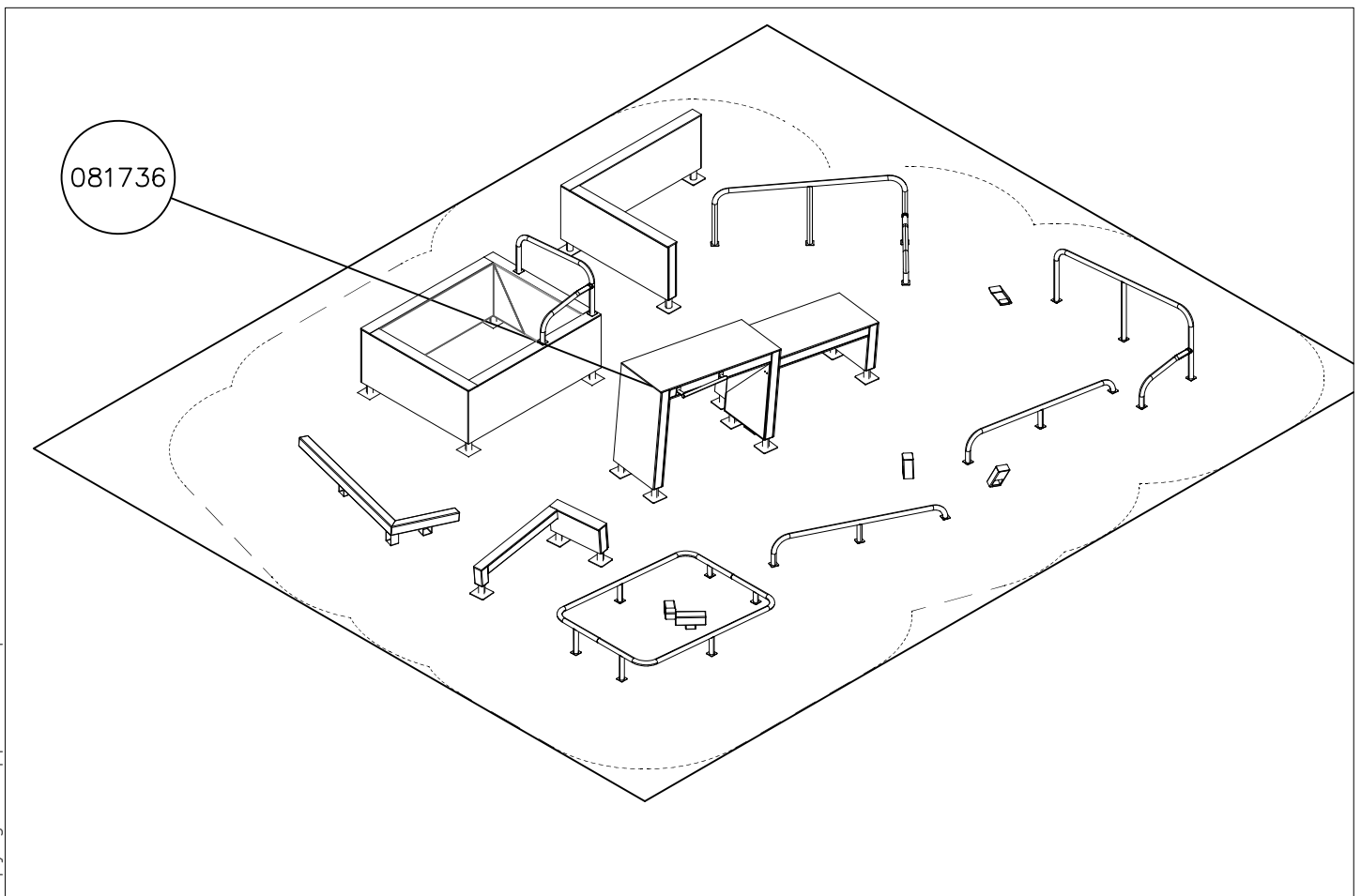
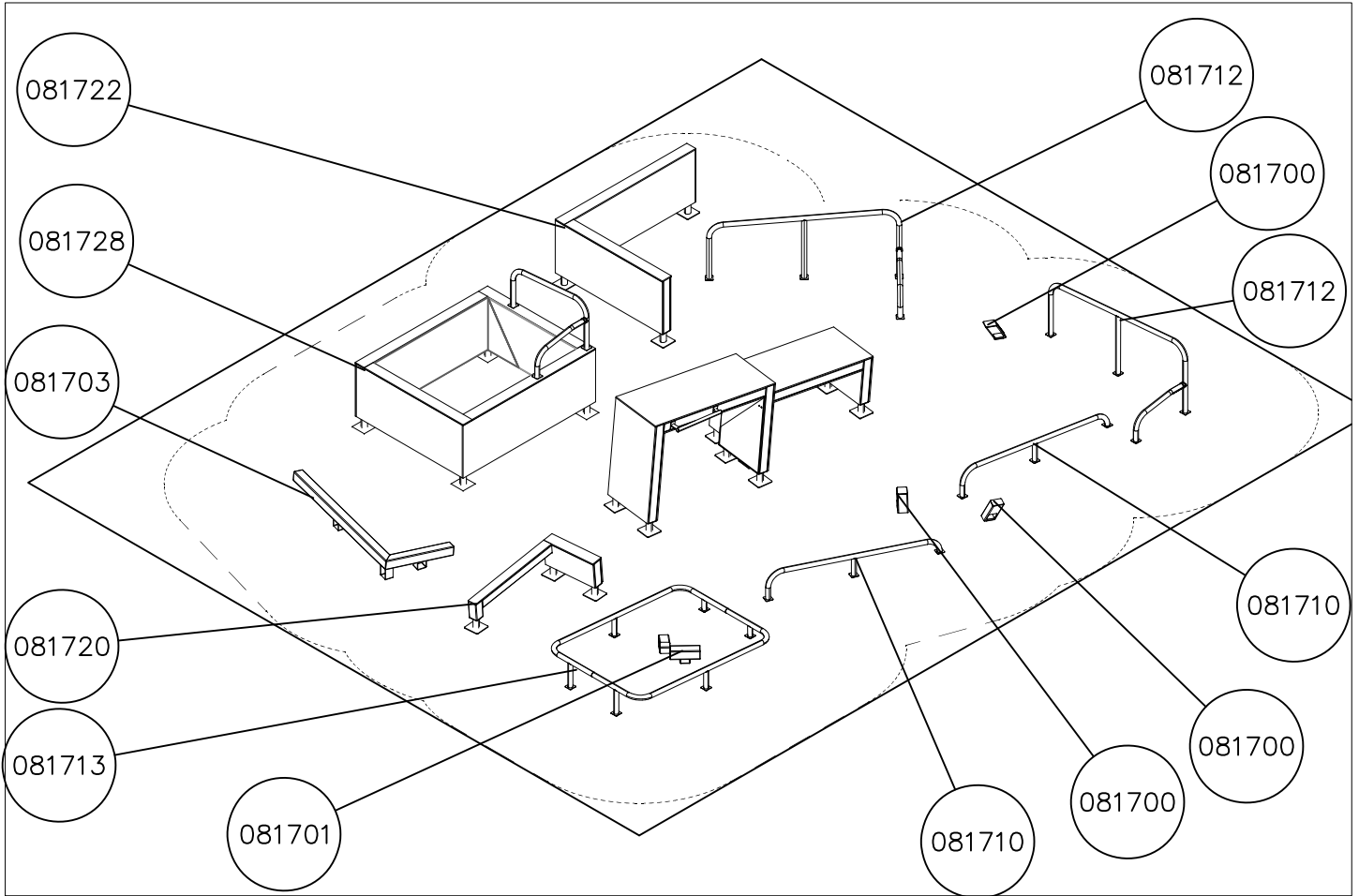
081700M  	PCS 3	081701M  	PCS 1	081703M  	PCS 1	081710M  	PCS 2	081712M  	PCS 2	081713M  	PCS 1
081720M  	PCS 1	081722M  	PCS 1	081728M  	PCS 1	081736M  	PCS 1		PCS		PCS
	PCS		PCS		PCS		PCS		PCS		PCS
	PCS		PCS		PCS		PCS		PCS		PCS
	PCS		PCS		PCS		PCS		PCS		PCS
	PCS		PCS		PCS		PCS		PCS		PCS
	PCS		PCS		PCS		PCS		PCS		PCS

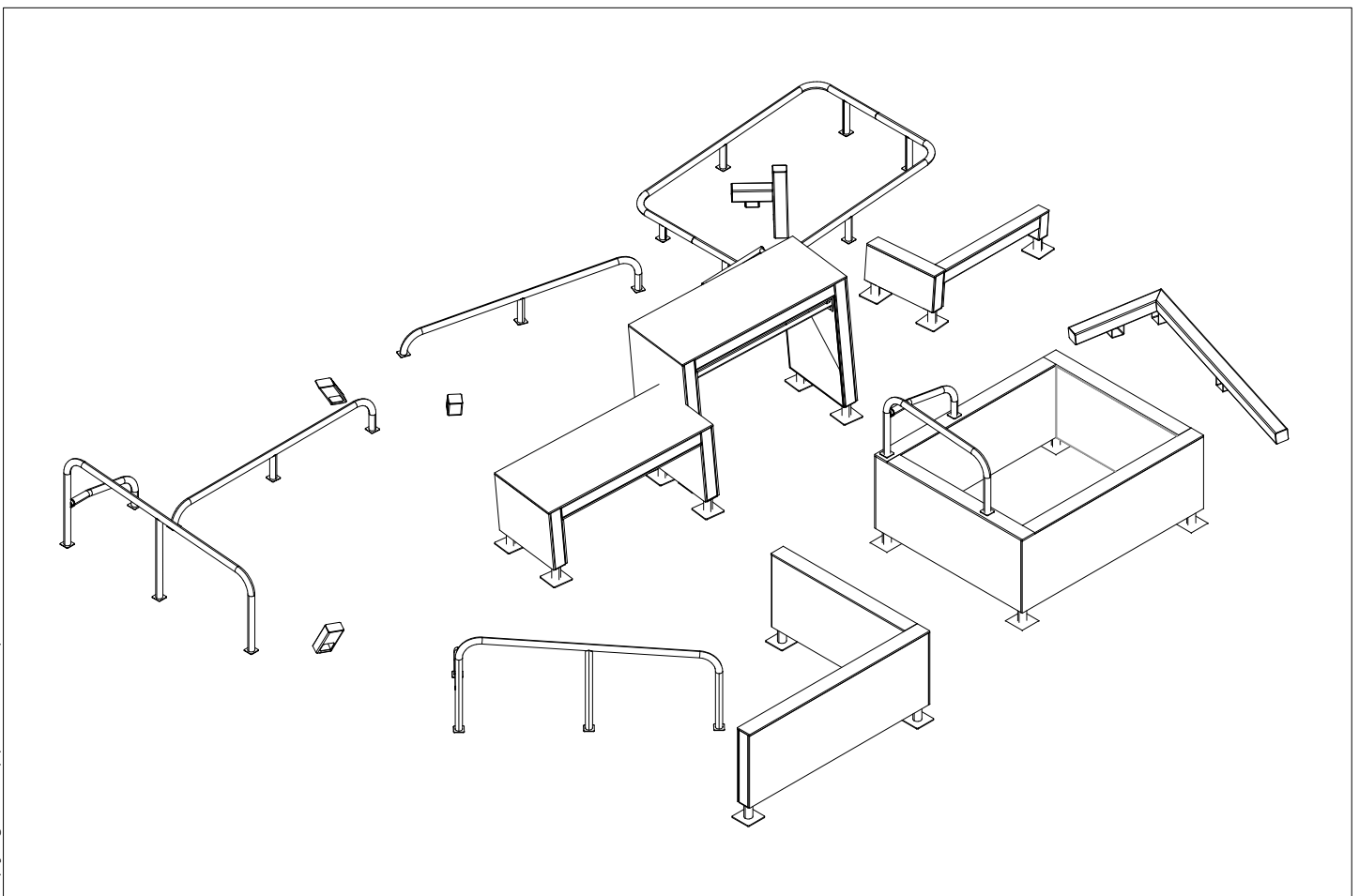
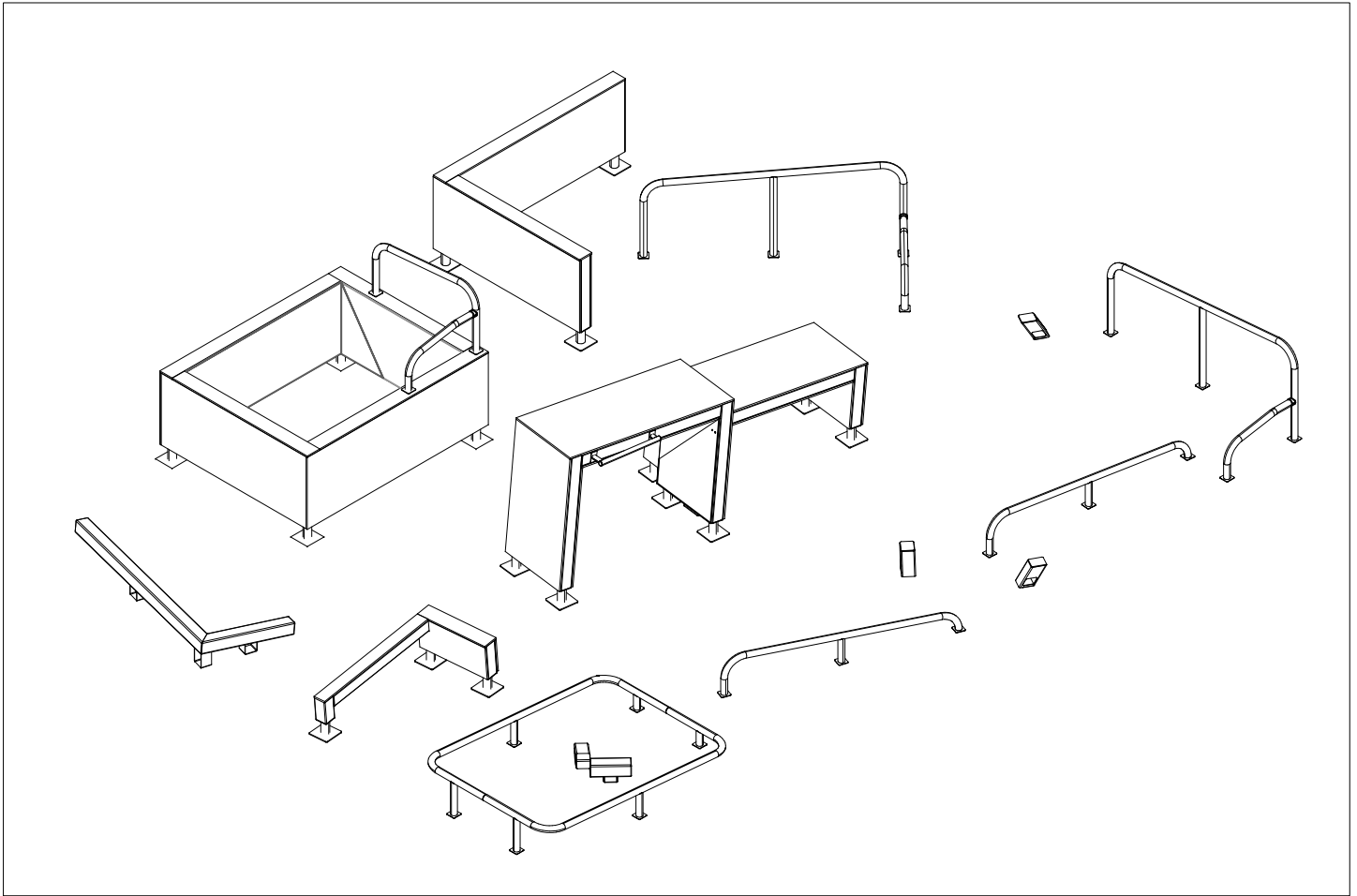


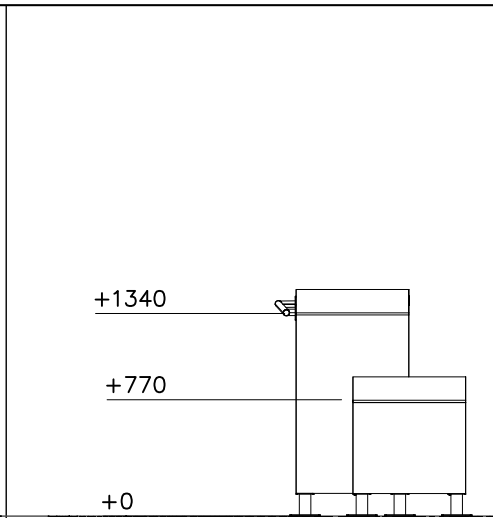
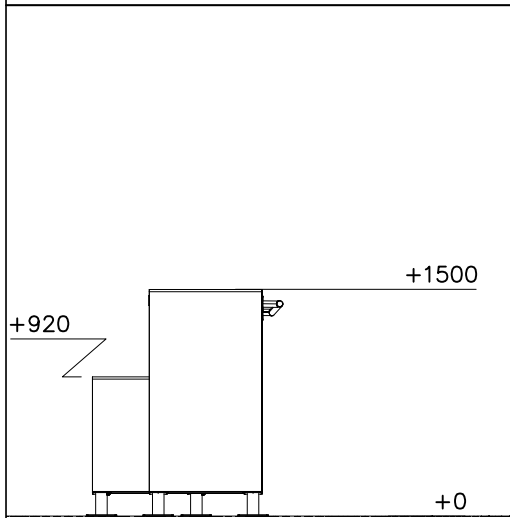
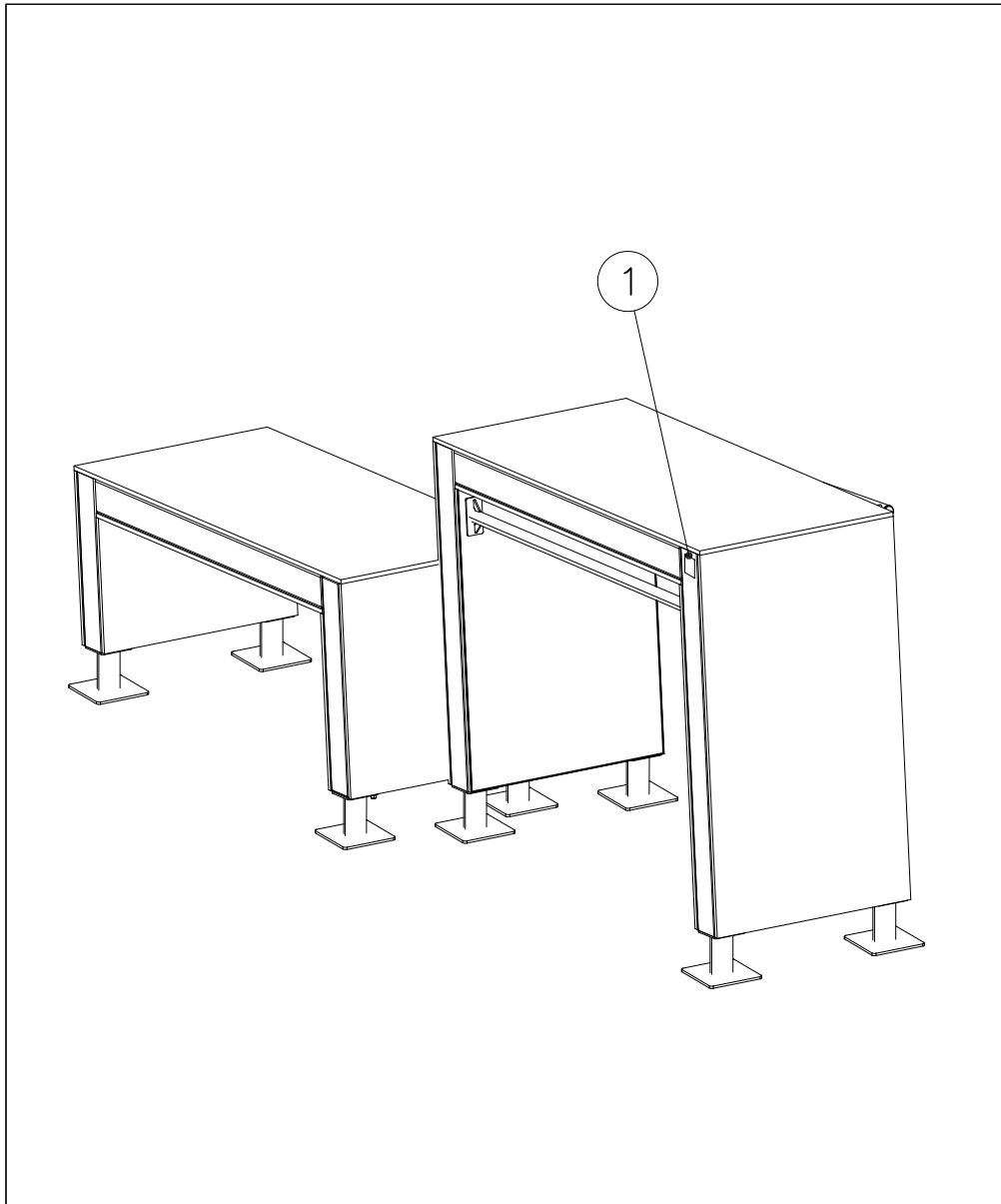



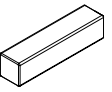

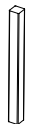



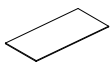
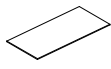
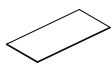
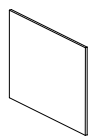
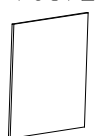
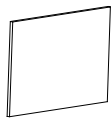
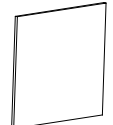
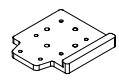

Groundmarks









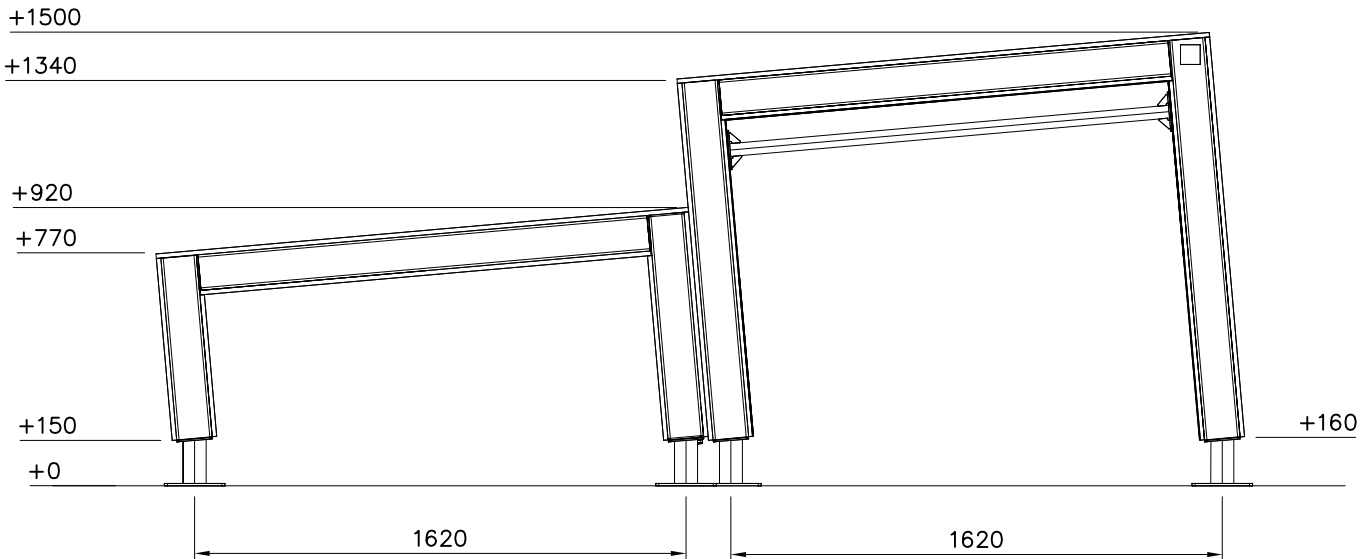
① 702286  65x65	PCS 1	② 707210  118x118x503	PCS 8
③ 707213  118x118x1490	PCS 4	④ 708042  118x118x1185	PCS 2
⑤ 708125  118x118x1326	PCS 2	⑥ 708127  118x118x603	PCS 2
⑦ 708137  118x118x745	PCS 2	⑧ 708721  15x745x1766	PCS 2
⑨ 708723  15x745x1185	PCS 1	⑩ 708724  15x745x1326	PCS 1
⑪ 708725  15x603x745	PCS 1	⑫ 708726  15x745x745	PCS 1
⑬ 708834  15x745x470	PCS 1	⑭ 708835  15x745x612	PCS 1
⑮ 708857 JIG  20x133x149	PCS 1	⑯ 709204  15x745x1495	PCS 1

17	911303 COLOR	PCS 1	18	911305 COLOR	PCS 1	19	911307 COLOR	PCS 1	20	900240	PCS 76	21	903093	PCS 20	22	903533	PCS 6																
15x745x1495			15x745x1192			15x745x1050			Ø8x70			Ø8x90			SRL12																		
23	980114	PCS 4	24	905103	PCS 16	25	905112	PCS 16	26	908371	PCS 2	27	908698	PCS 16	28	980100	PCS 96																
Ø4x20			PT-28/32-H			Ø22			42-38/40			3x114x108			Ø5x60																		
29	910328	PCS 1	30	910056	PCS 1	31	910266	PCS 8	32	980123	PCS 88	<p>FOOT OPTIONS</p> <p>709261+ 709262+</p> <table border="1"> <tr> <td>910267</td> <td>PCS</td> <td>910567</td> <td>PCS</td> </tr> <tr> <td>SURFACE</td> <td>8</td> <td>CONCRETE</td> <td>8</td> </tr> <tr> <td colspan="2"></td> <td colspan="2"></td> </tr> <tr> <td colspan="2">152x200x200</td> <td colspan="2">117x117x715</td> </tr> </table>						910267	PCS	910567	PCS	SURFACE	8	CONCRETE	8					152x200x200		117x117x715	
910267	PCS	910567	PCS																														
SURFACE	8	CONCRETE	8																														
152x200x200		117x117x715																															
L 1466			140x690			90x108x118			Ø7x60																								

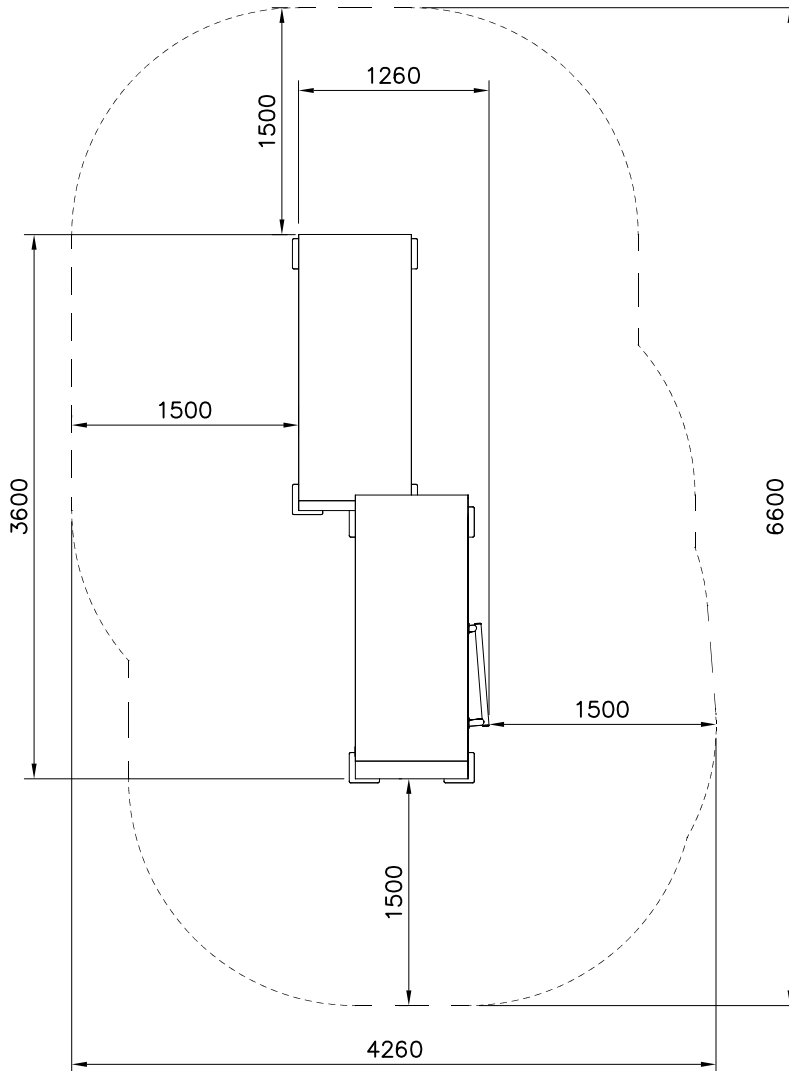
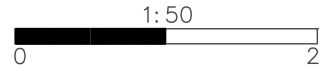
FOOT OPTIONS

709261+ 709262+

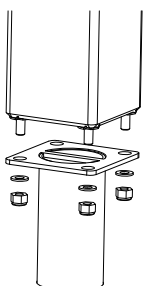
910267	PCS	910567	PCS
SURFACE	8	CONCRETE	8
152x200x200		117x117x715	



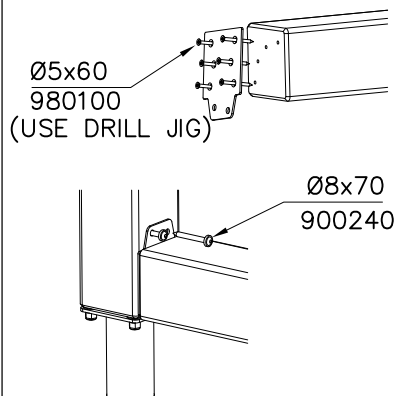
----- Falling Space 23.5 m²
Max Falling Height 1500 mm



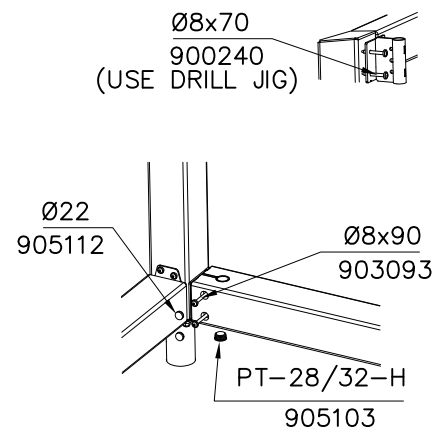
DET 1

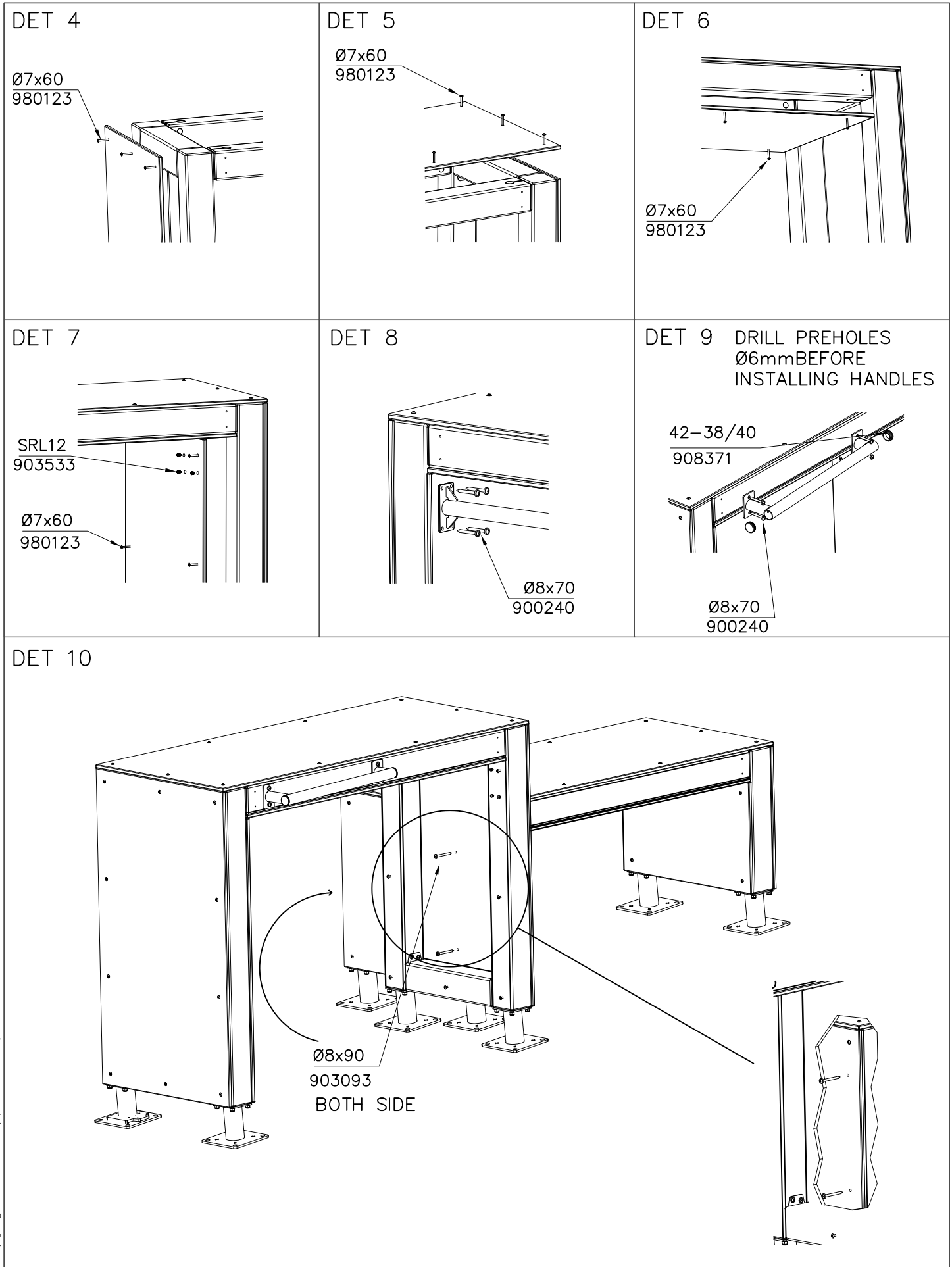


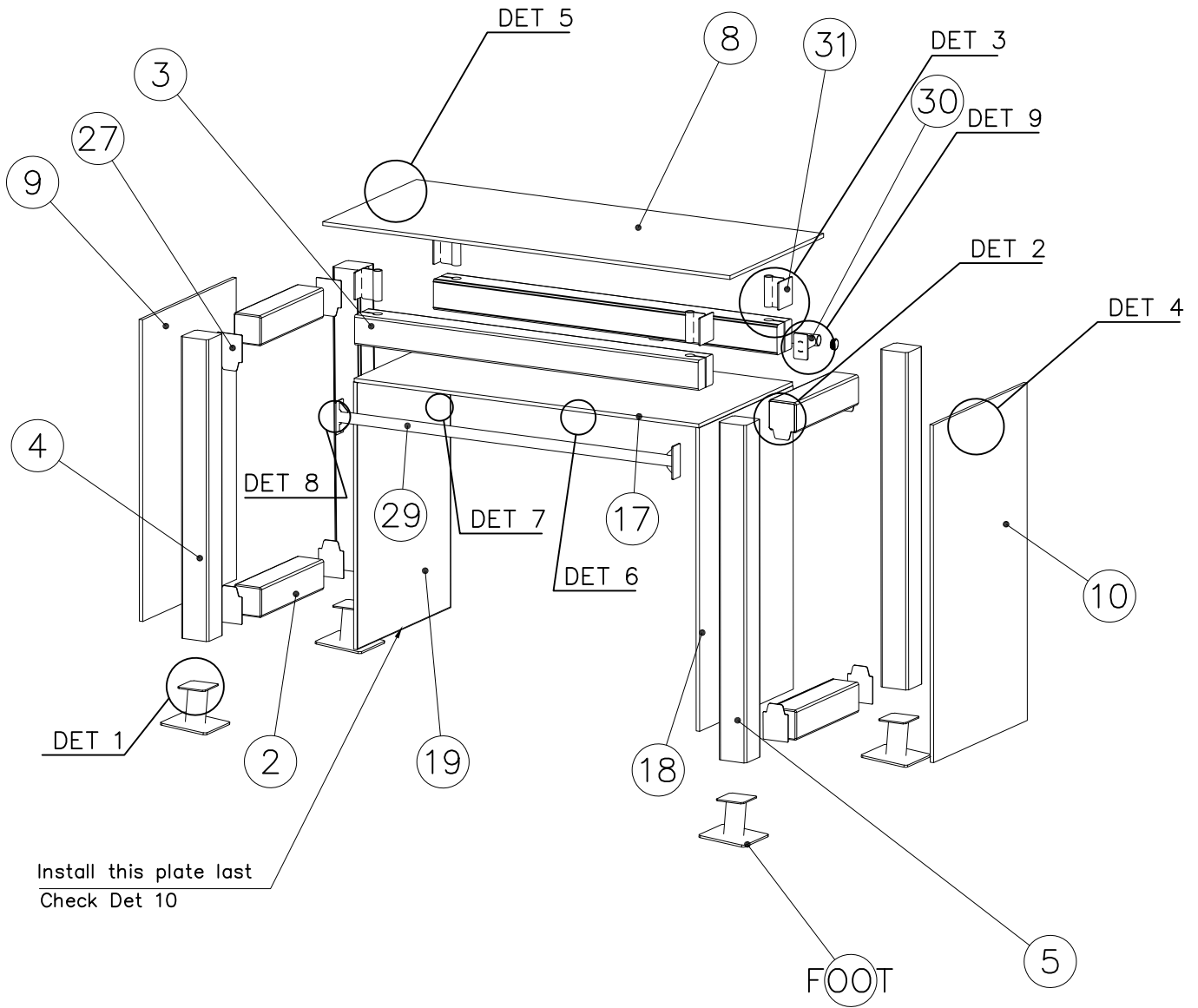
DET 2



DET 3

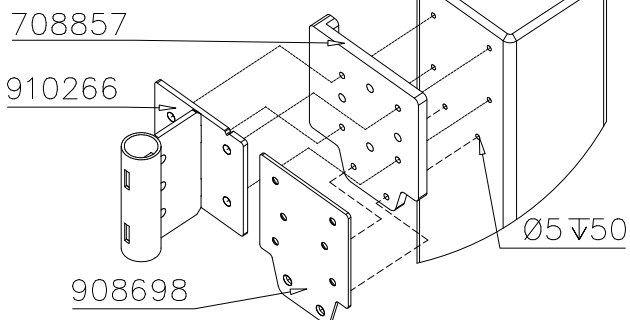




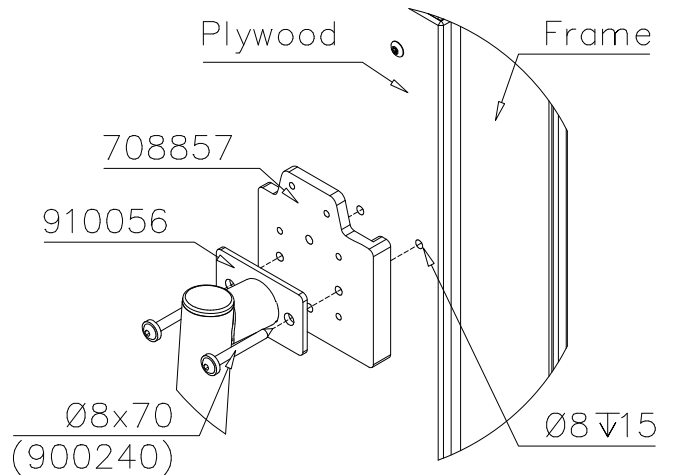


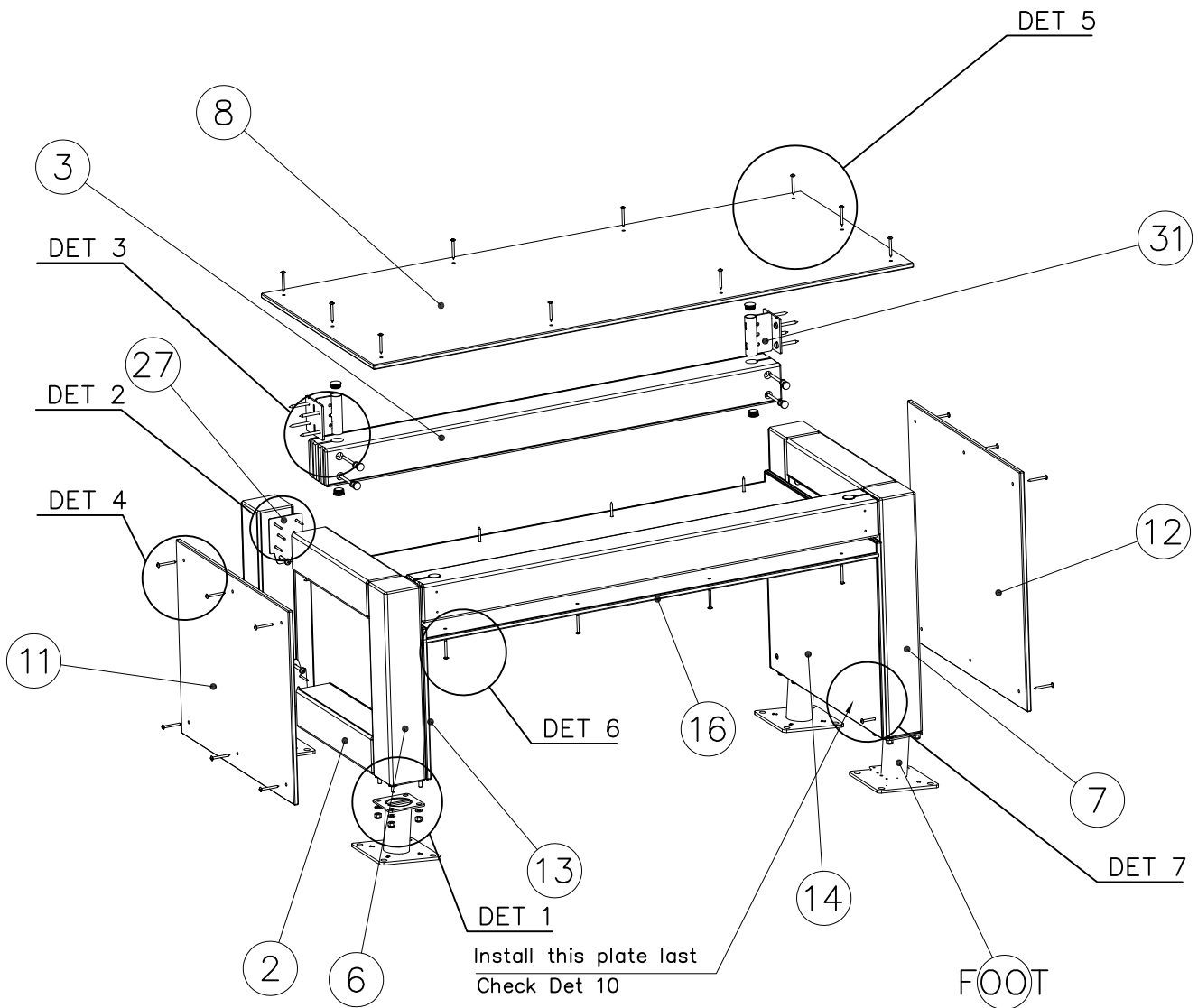
JIG DET A (USE DET 2-3)

NOTE:
Use drill jig 708857
to predrill $\text{Ø}5 \nabla 50$
holes for 910266
and 908698



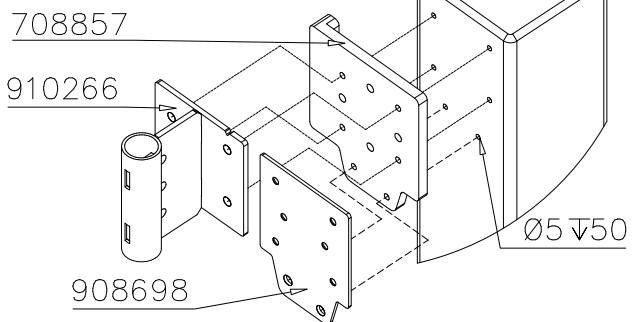
JIG DET B (USE DET 9)

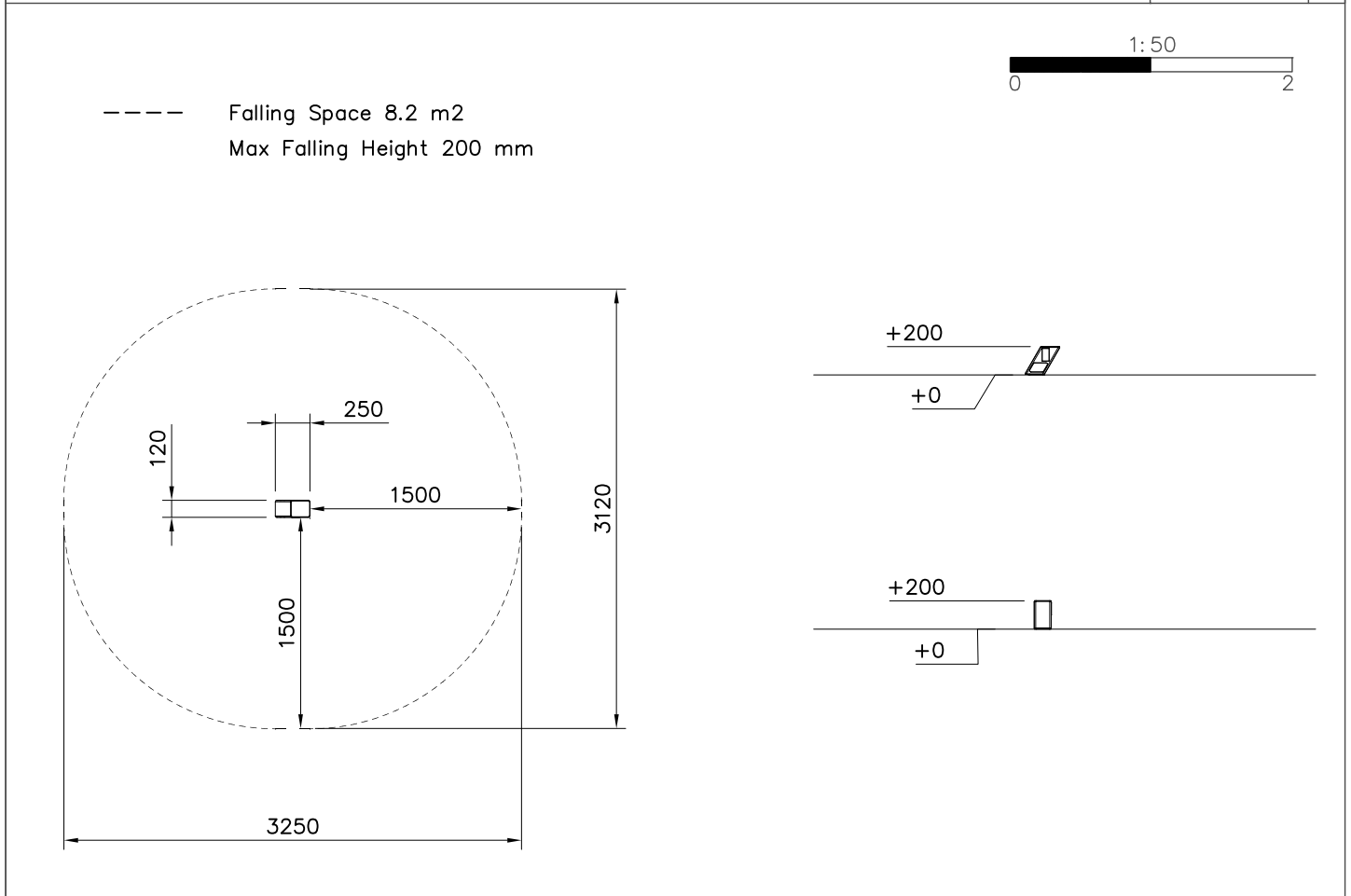
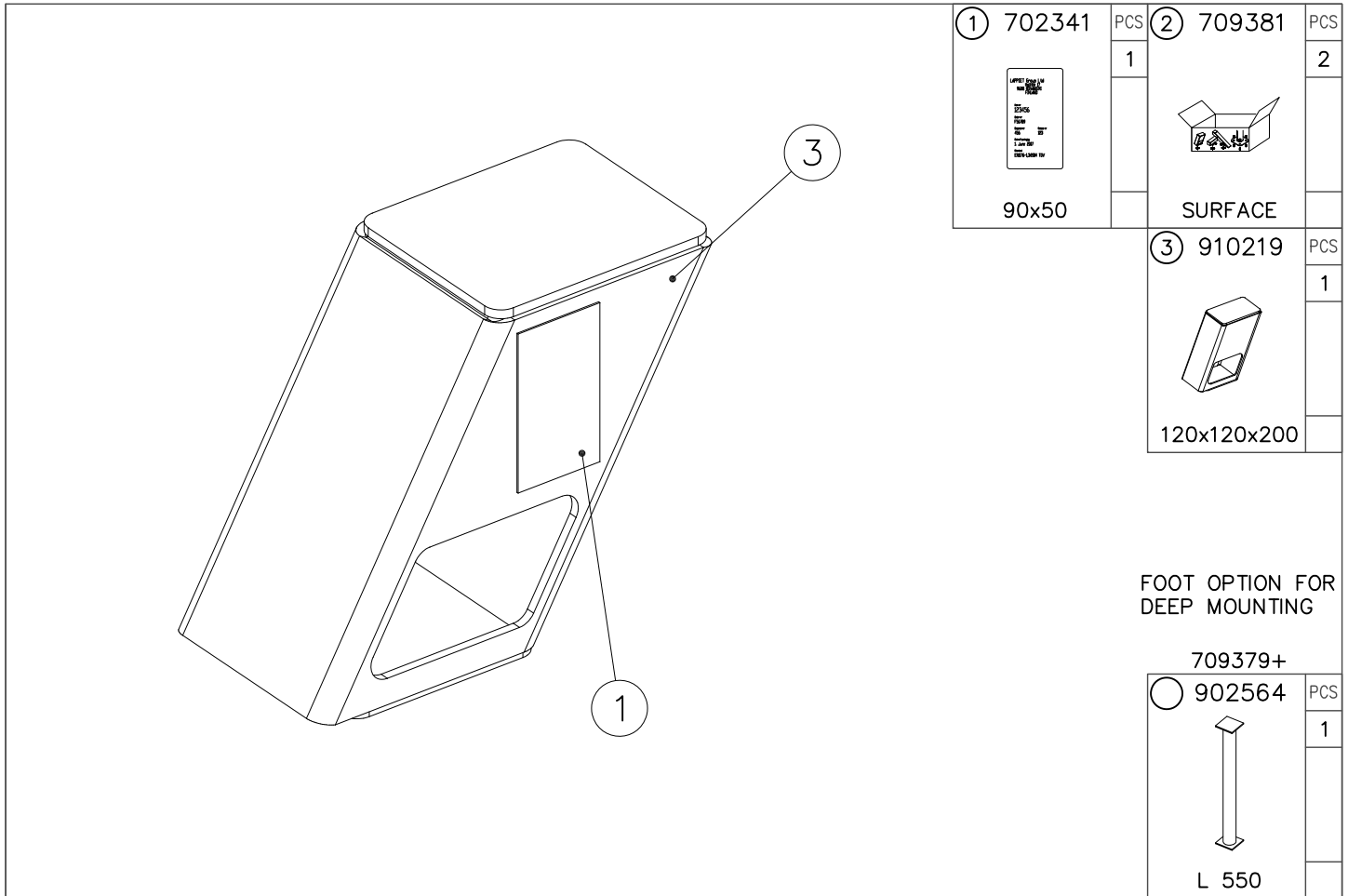




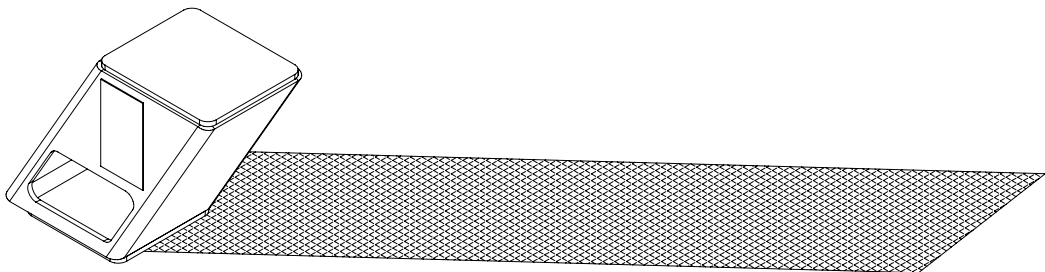
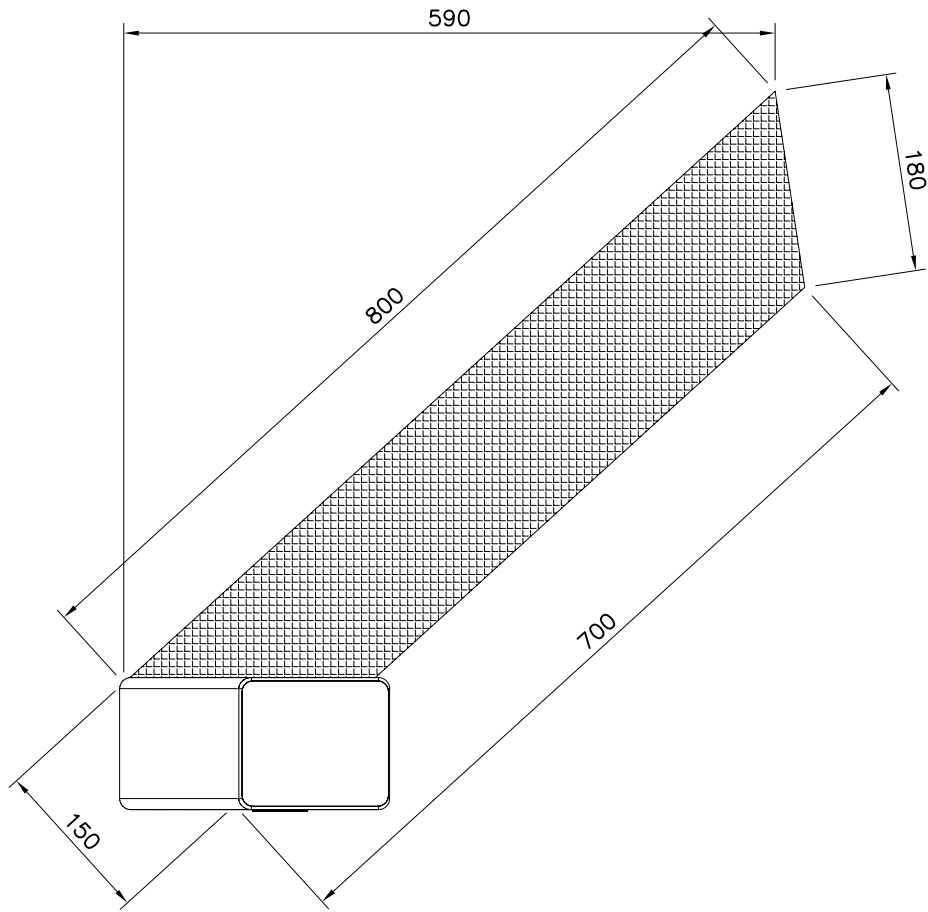
JIG DET A (USE DET 2-3)

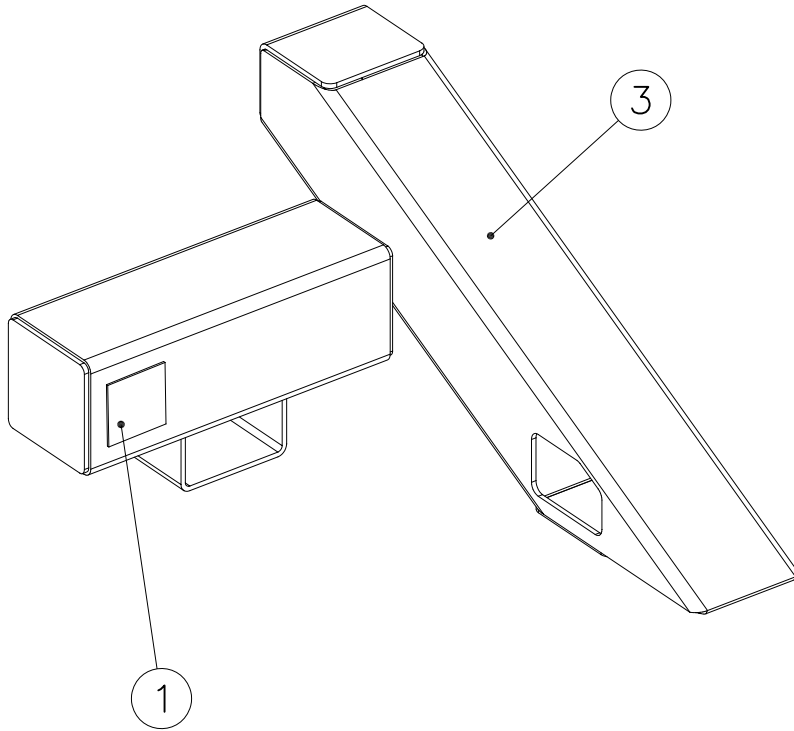
NOTE:
Use drill jig 708857
to predrill $\text{Ø}5 \nabla 50$
holes for 910266
and 908698

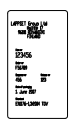



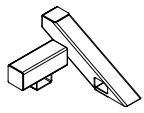


Shadow lines




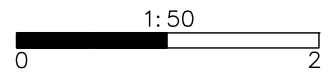


① 702341	PCS	② 709381	PCS
	1		2
90x50		SURFACE	

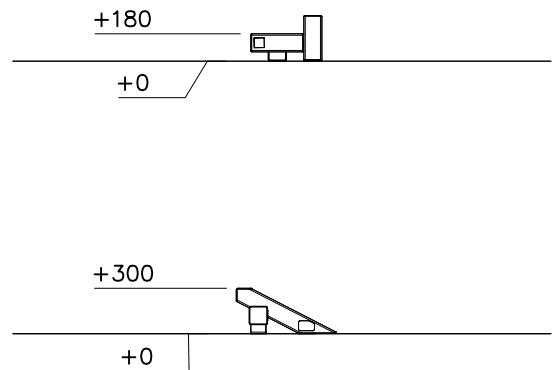
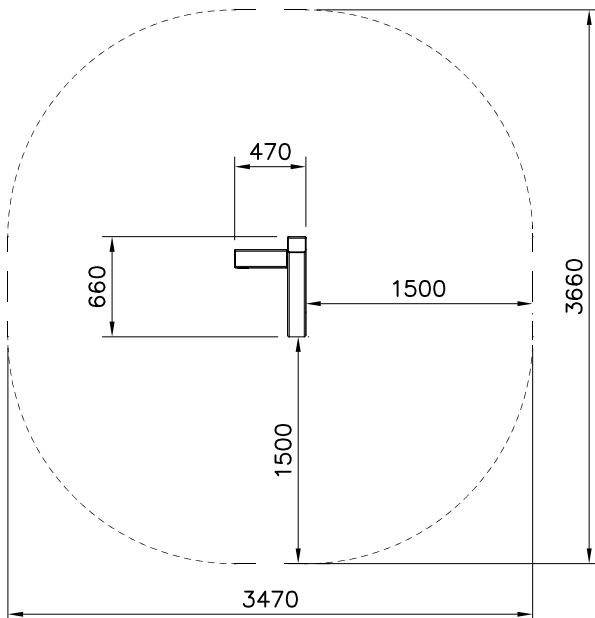
③ 910220	PCS
	1
300x470x662	

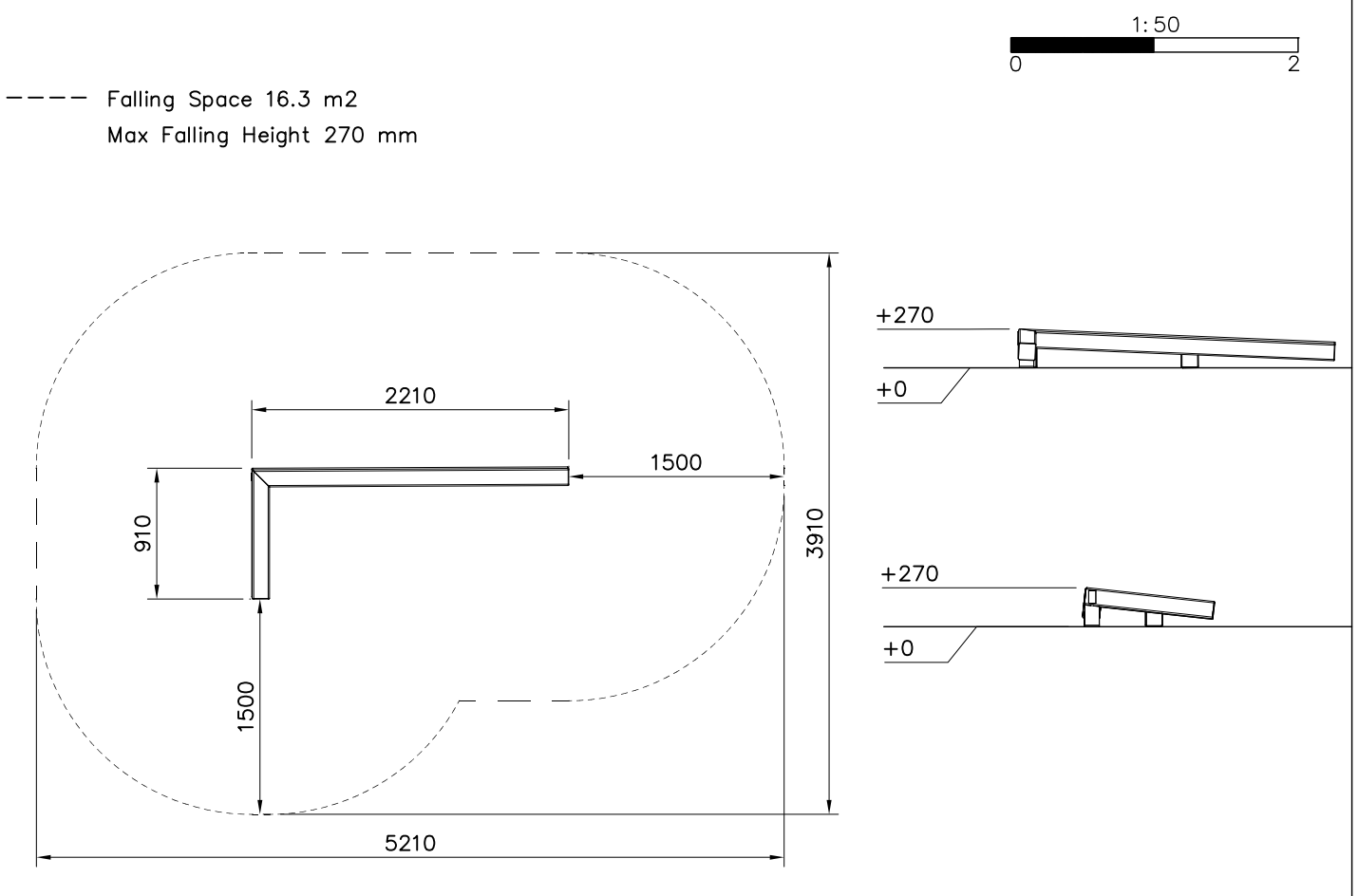
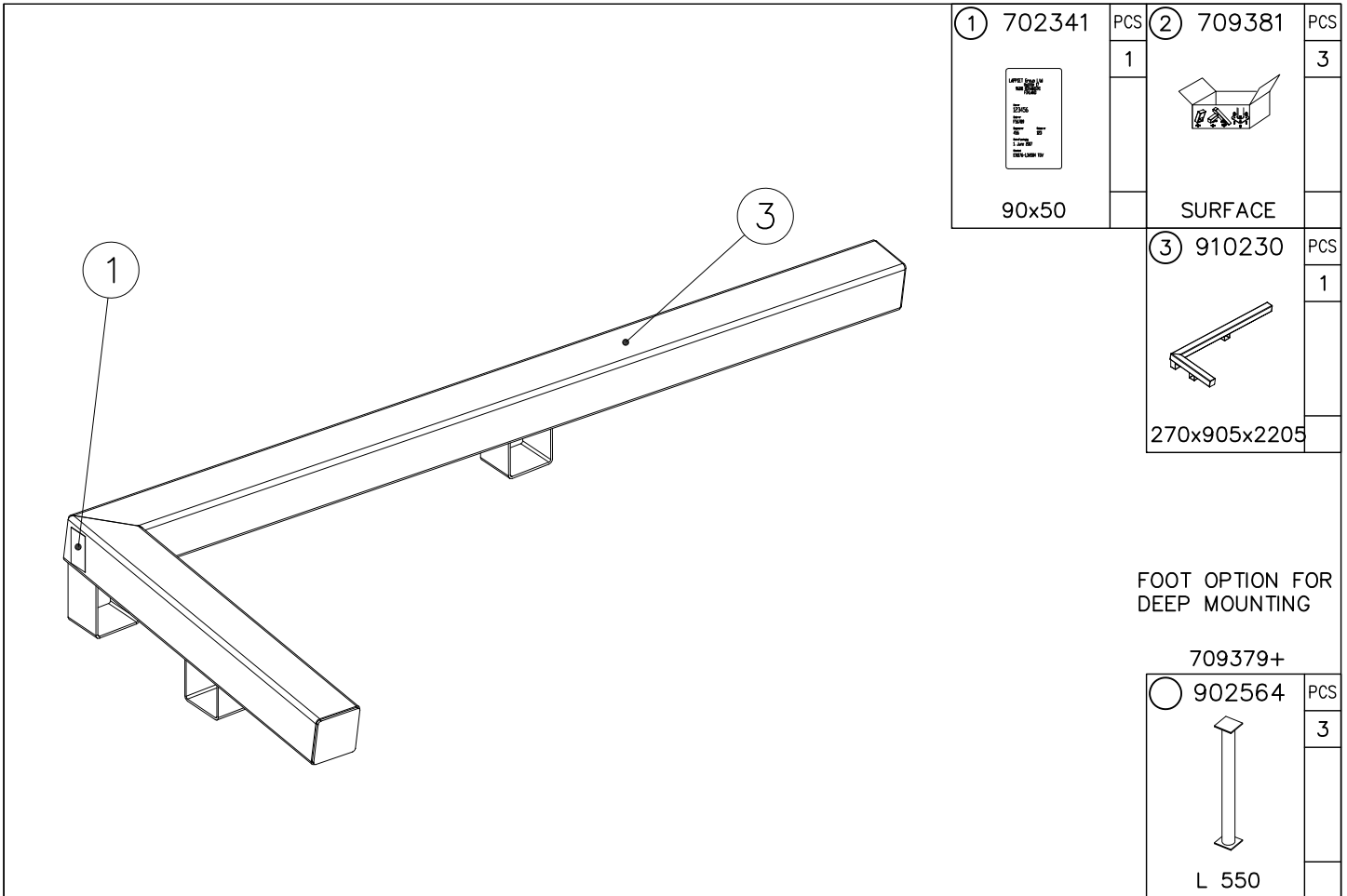
FOOT OPTION FOR DEEP MOUNTING

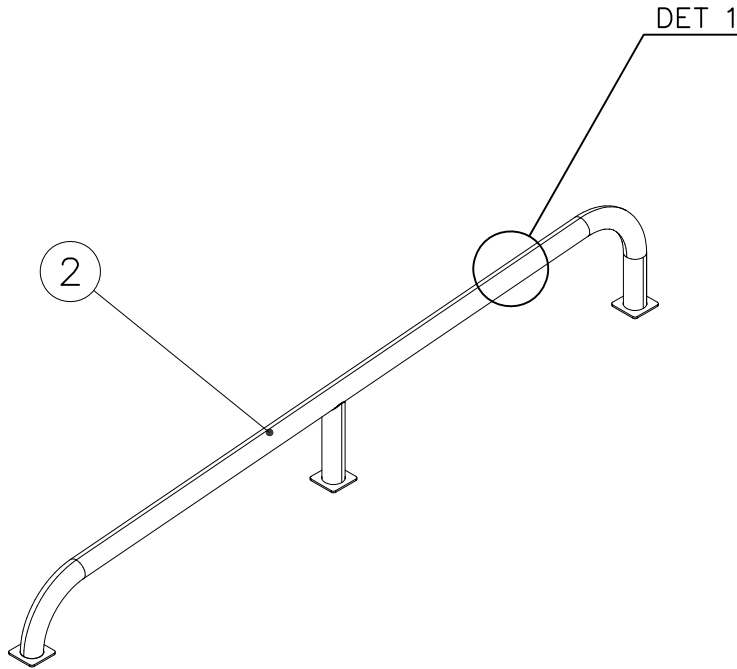
709379+	
○ 902564	PCS
	2
L 550	


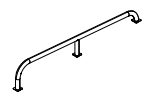
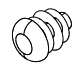


----- Falling Space 10.8 m²
 Max Falling Height 300 mm

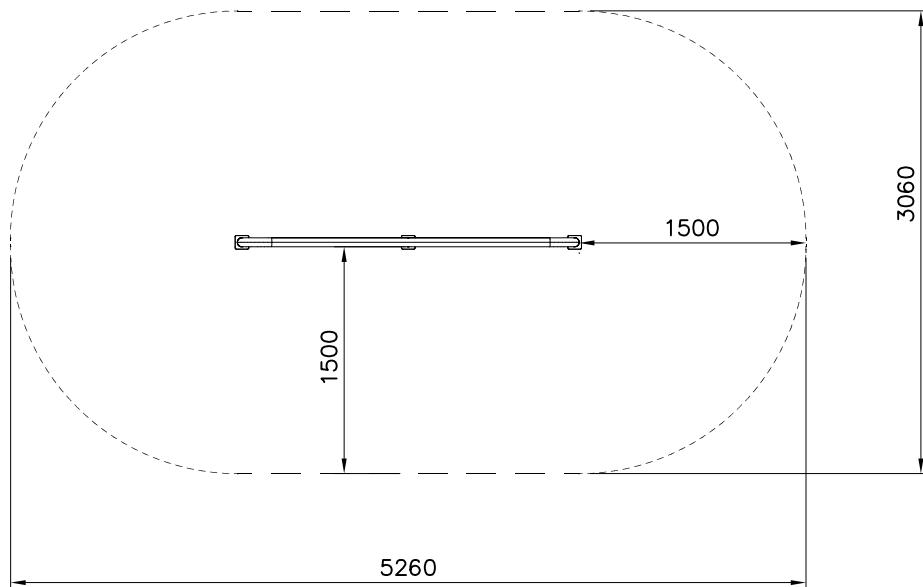
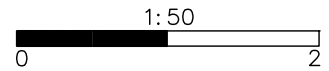


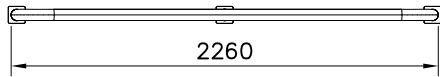
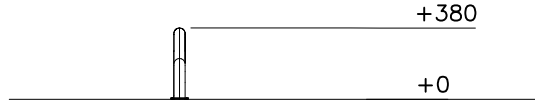
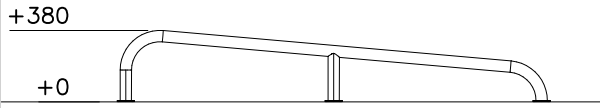




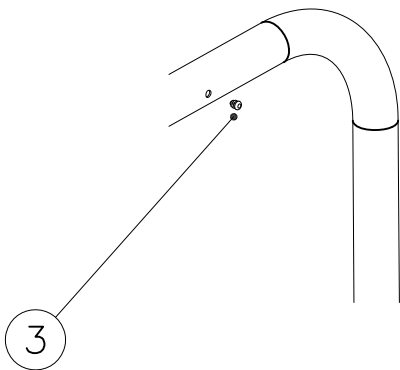
① 702341  90x50	PCS	② 910253  Ø60x376x2290	PCS
	1		1
③ 903533  SRL12	PCS		PCS
	4		

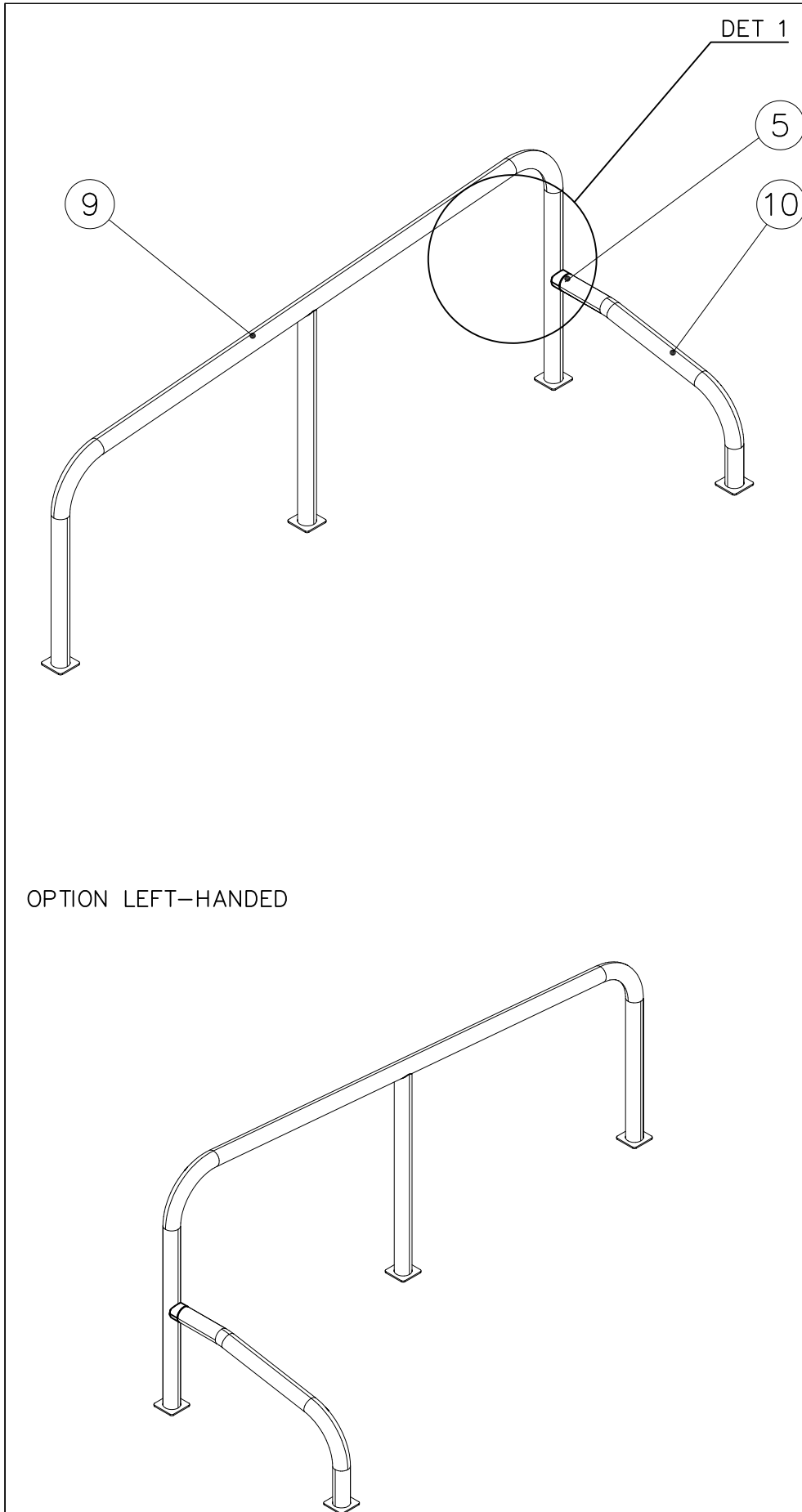
----- Falling Space 14.2 m²
 Max Falling Height 380 mm

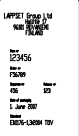


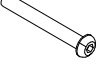
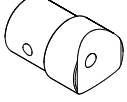
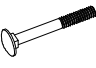


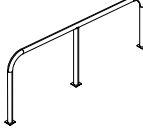
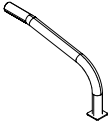





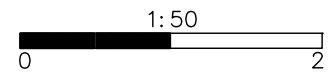
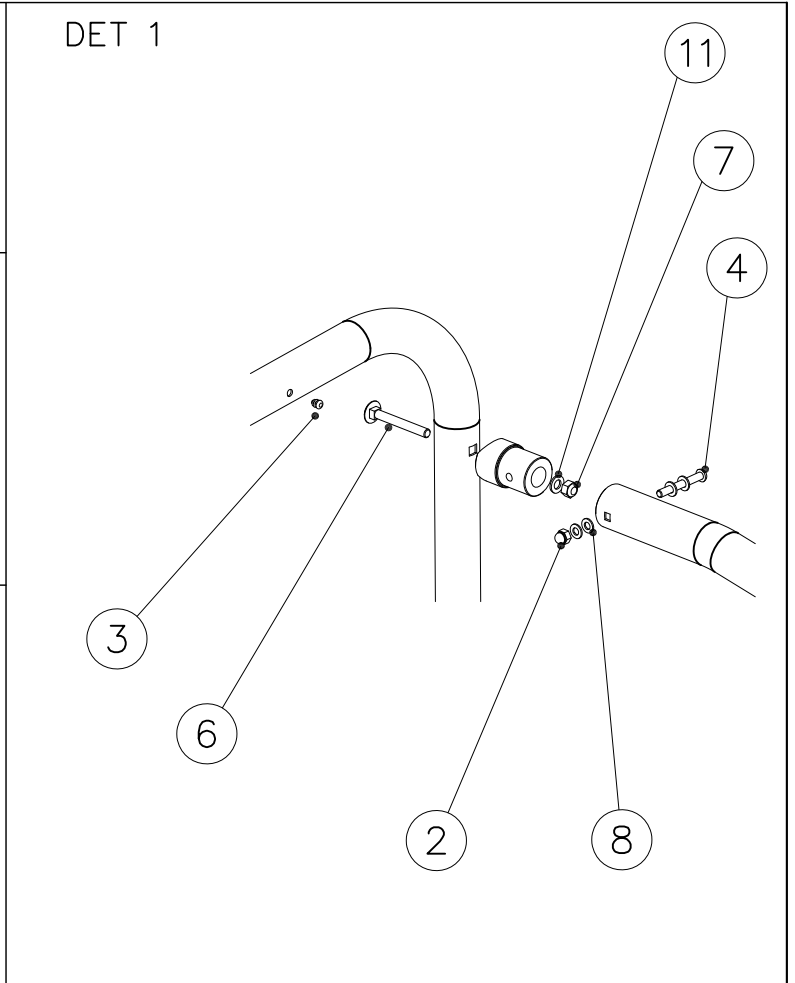
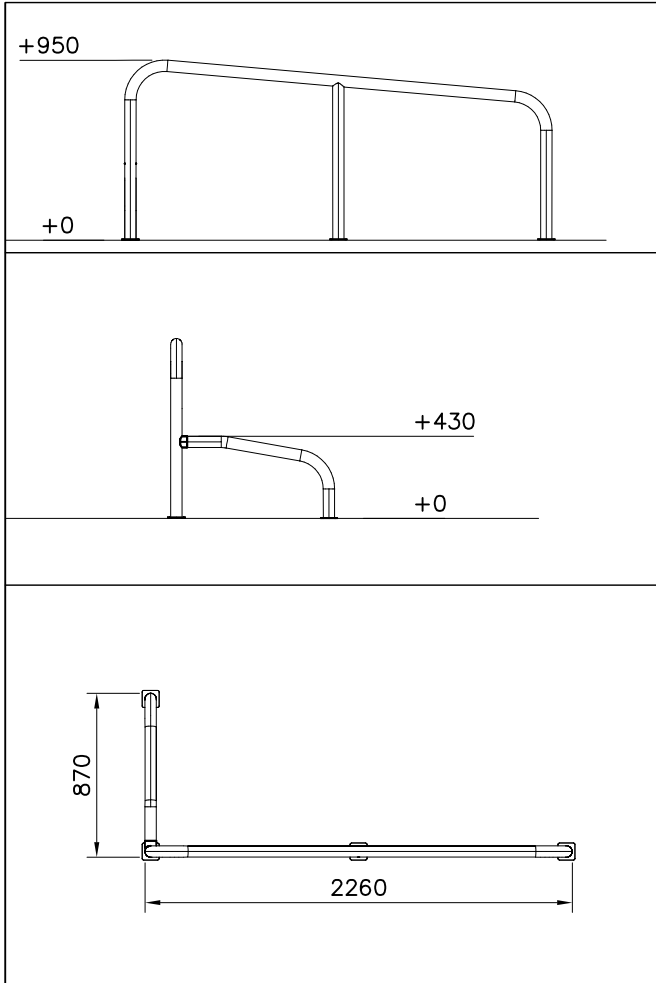
DET 1



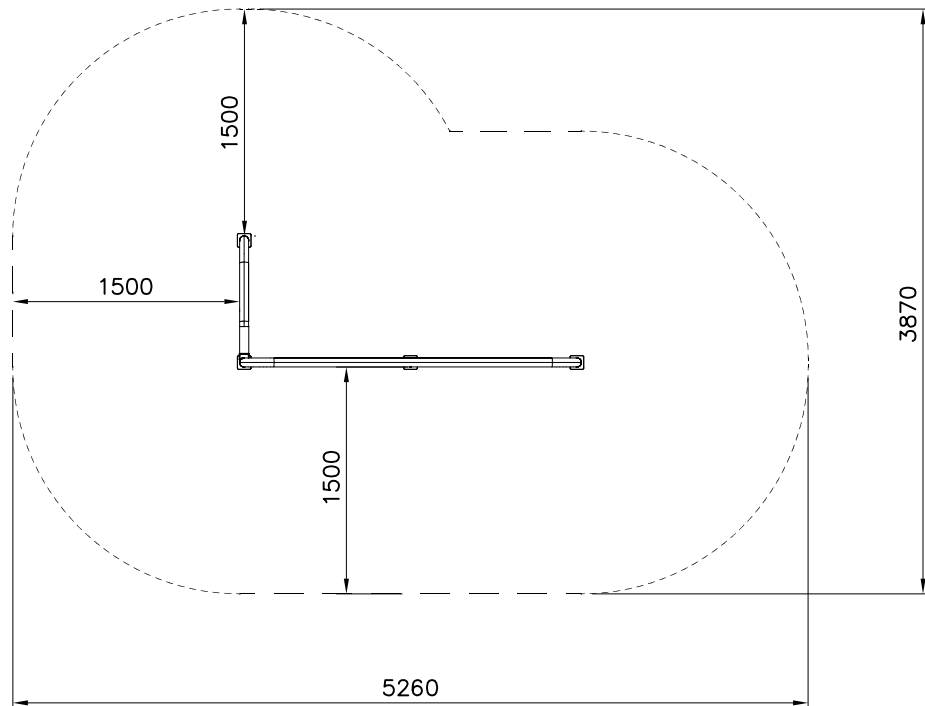


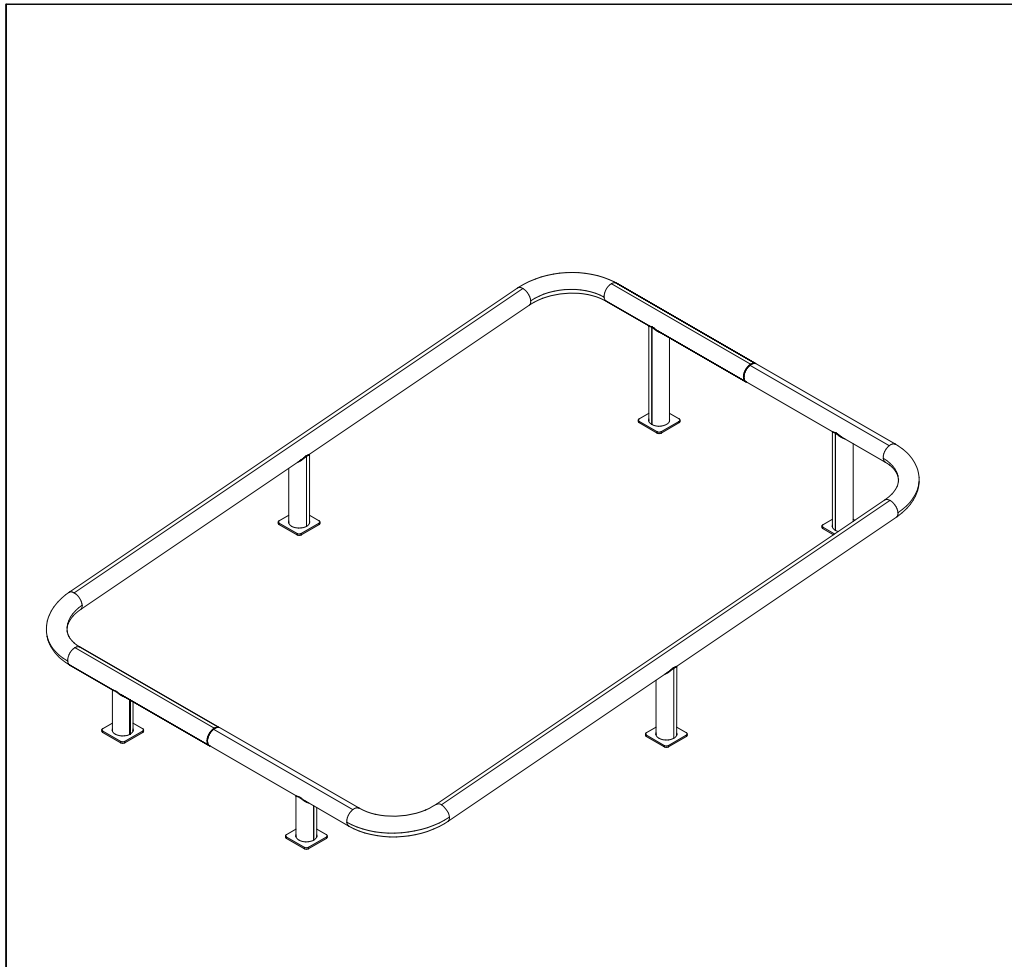
①	702341	PCS	②	900965	PCS
		1			1
	90x50		M10		
③	903533	PCS	④	904133	PCS
		4			1
	SRL12		M10x80		
⑤	908069	PCS	⑥	909111	PCS
		1			1
	Ø60x87.6		M12x100		
⑦	909248	PCS	⑧	909638	PCS
		1			4
	M12		Ø20/10.5		
⑨	910255	PCS	⑩	910262	PCS
		1			1
	Ø60x950x2290		Ø60x435x795		
⑪	980154	PCS			PCS
		1			
	Ø24/13				

OPTION LEFT-HANDED

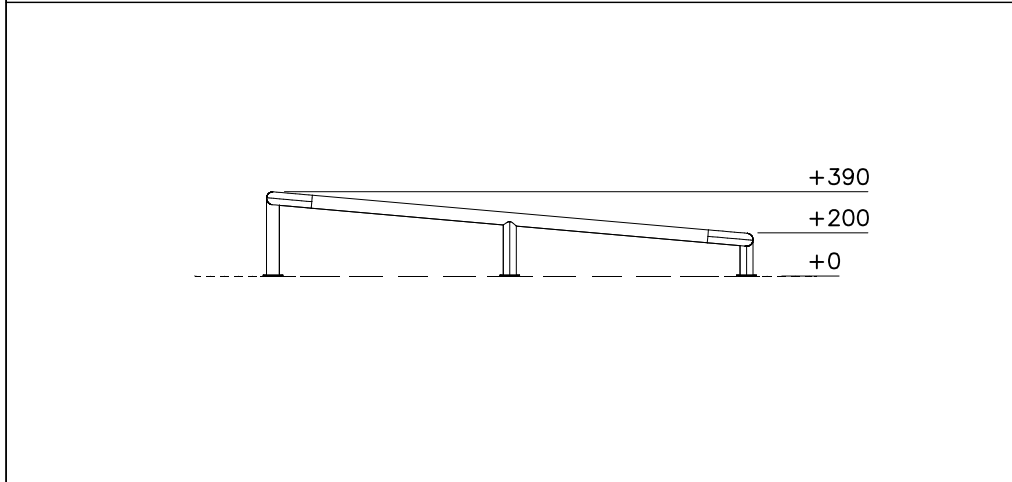


----- Falling Space 16.2 m²
 Max Falling Height 950 mm



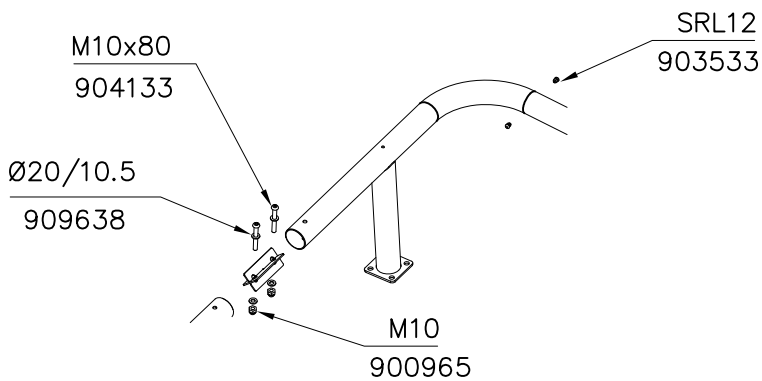


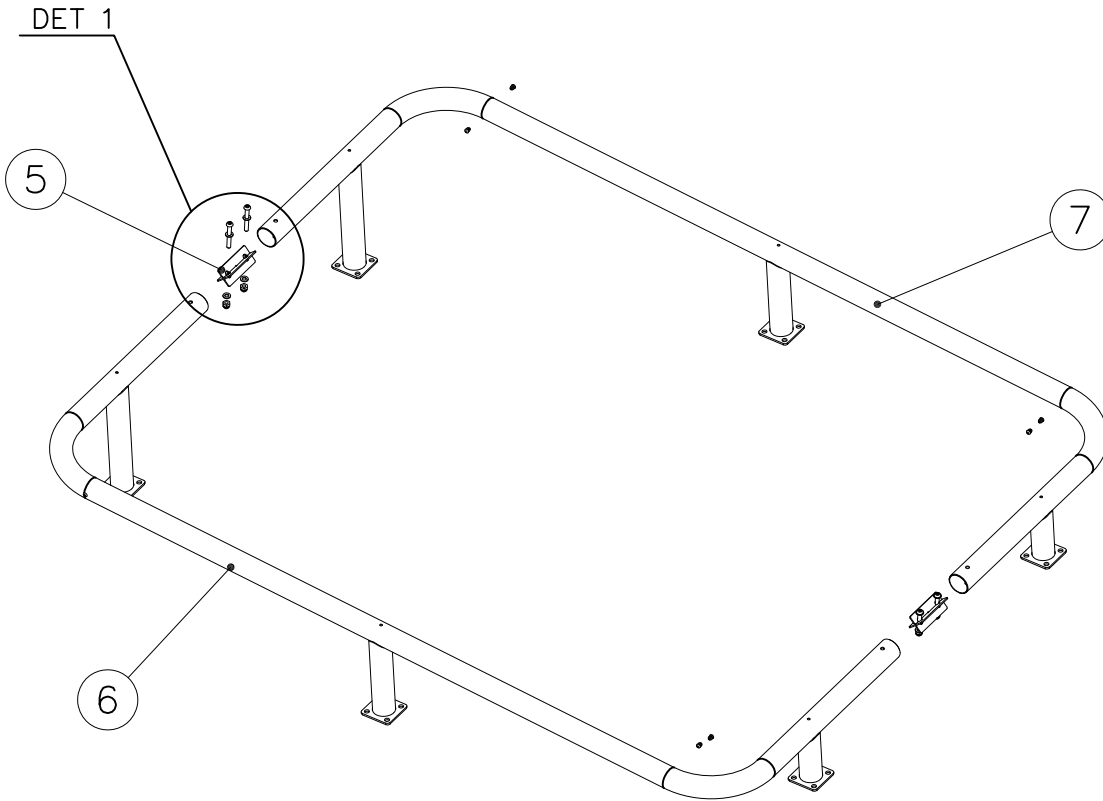
① 900965 M10 4	PCS 4	② 903533 SRL12 8	PCS 8
③ 904133 M10x80 4	PCS 4	④ 909638 Ø20/10.5 8	PCS 8
⑤ 910052 53x53x120 2	PCS 2	⑥ 910054 390x780x2282 1	PCS 1
⑦ 910055 390x780x2282 1	PCS 1	⑧ 702341 90x50 1	PCS 1



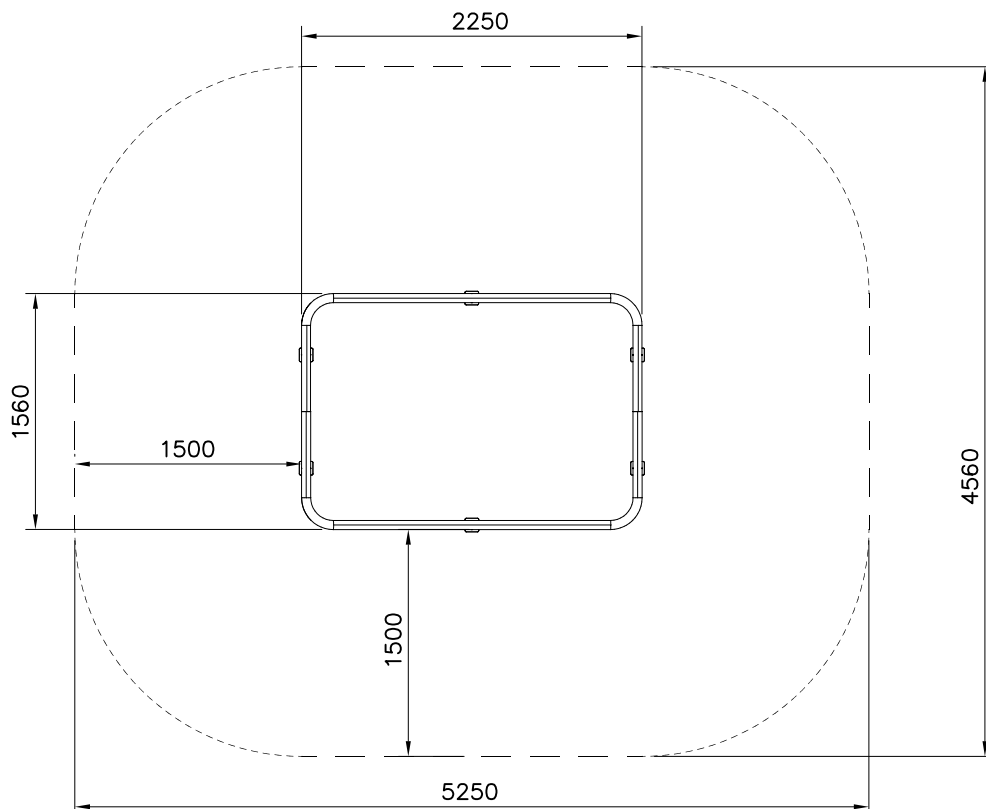
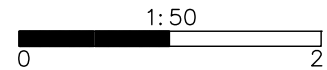
	PCS		PCS
	PCS		PCS

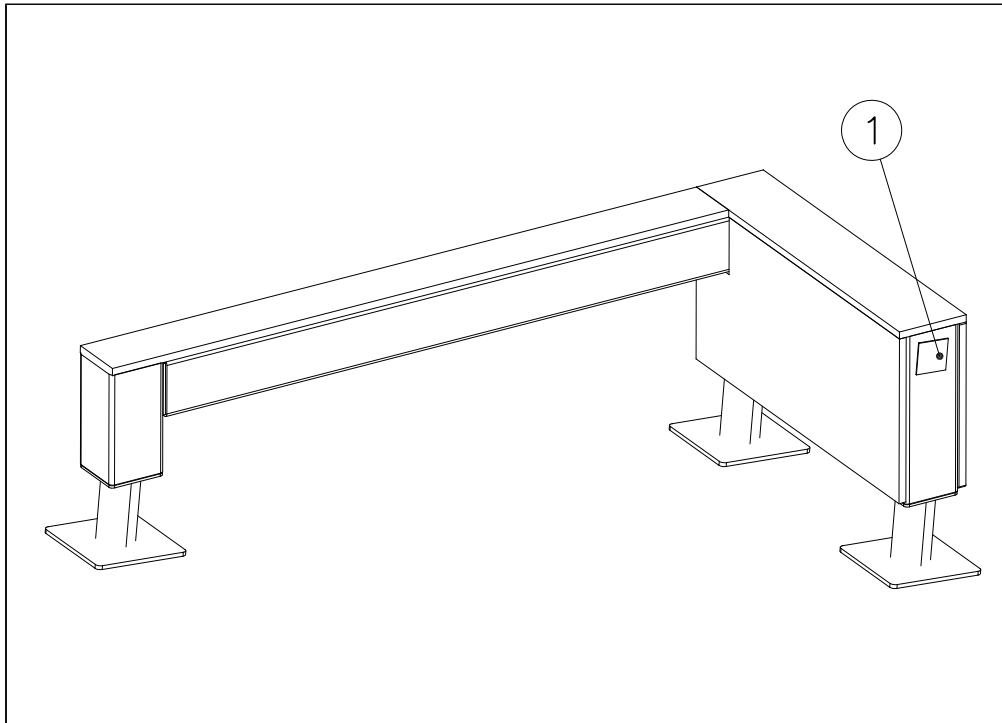
DET 1


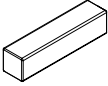







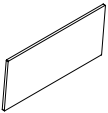
----- Falling Space 22 m2
Max Falling Height 390 mm

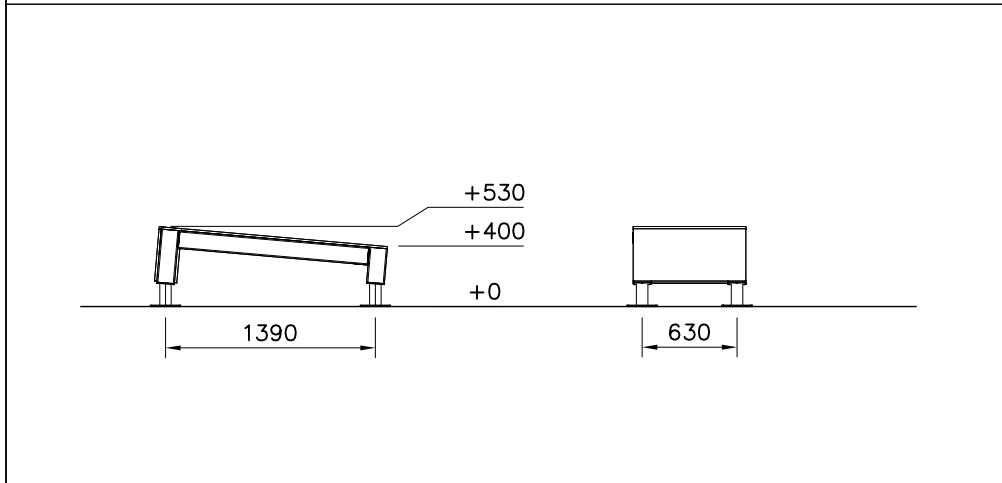


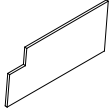
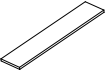



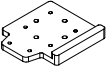
① 702286	PCS	② 707210	PCS
	1		2
65x65		118x118x503	

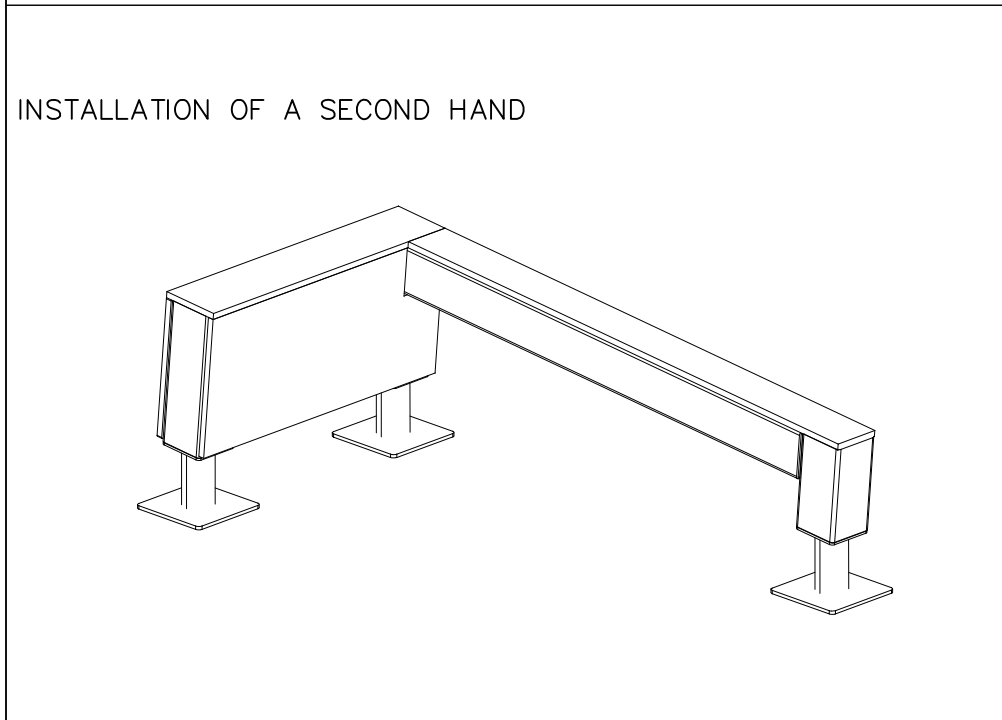
③ 707212	PCS	④ 708347	PCS
	1		1
118x118x1254		118x118x231	

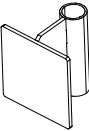

⑤ 708443	PCS	⑥ 708727	PCS
	2		1
118x118x352		15x346x745	






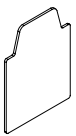
⑦ 708730	PCS	⑧ 708733	PCS
	1		1
15x346x745		15x148x745	




⑨ 708734	PCS	⑩ 708857 JIG	PCS
	1		1
15x118x1365		20x133x149	



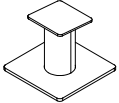

⑪ 910266	PCS	⑫ 900240	PCS
	2		16
90x108x118		Ø8x70	

⑬ 903093	PCS	⑭ 905103	PCS
	4		2
Ø8x90		PT-28/32-H	

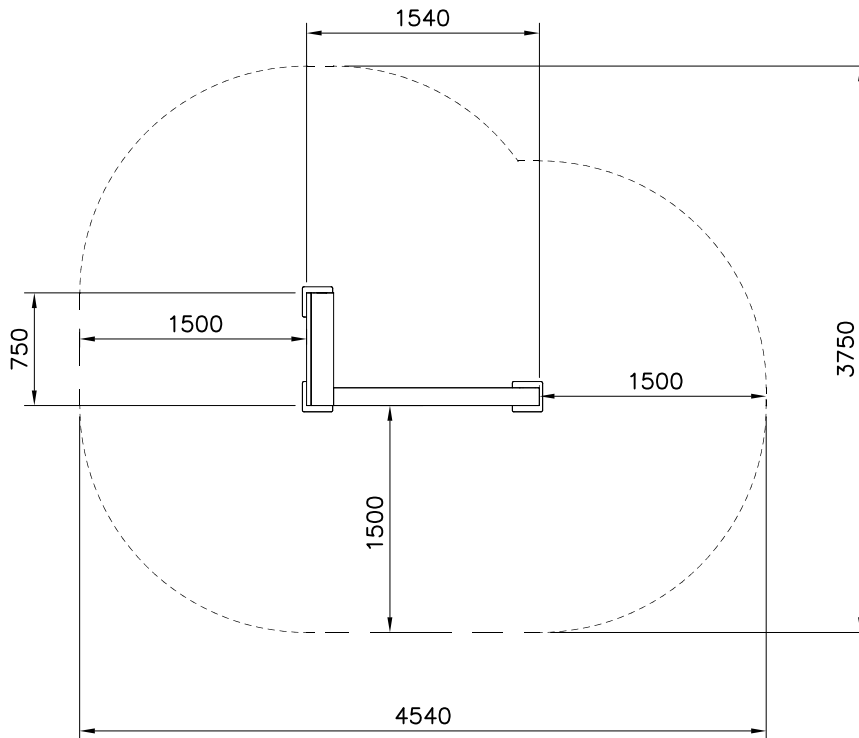
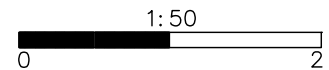
⑮ 905112	PCS	⑯ 908698	PCS
	4		4
Ø22		3x114x108	

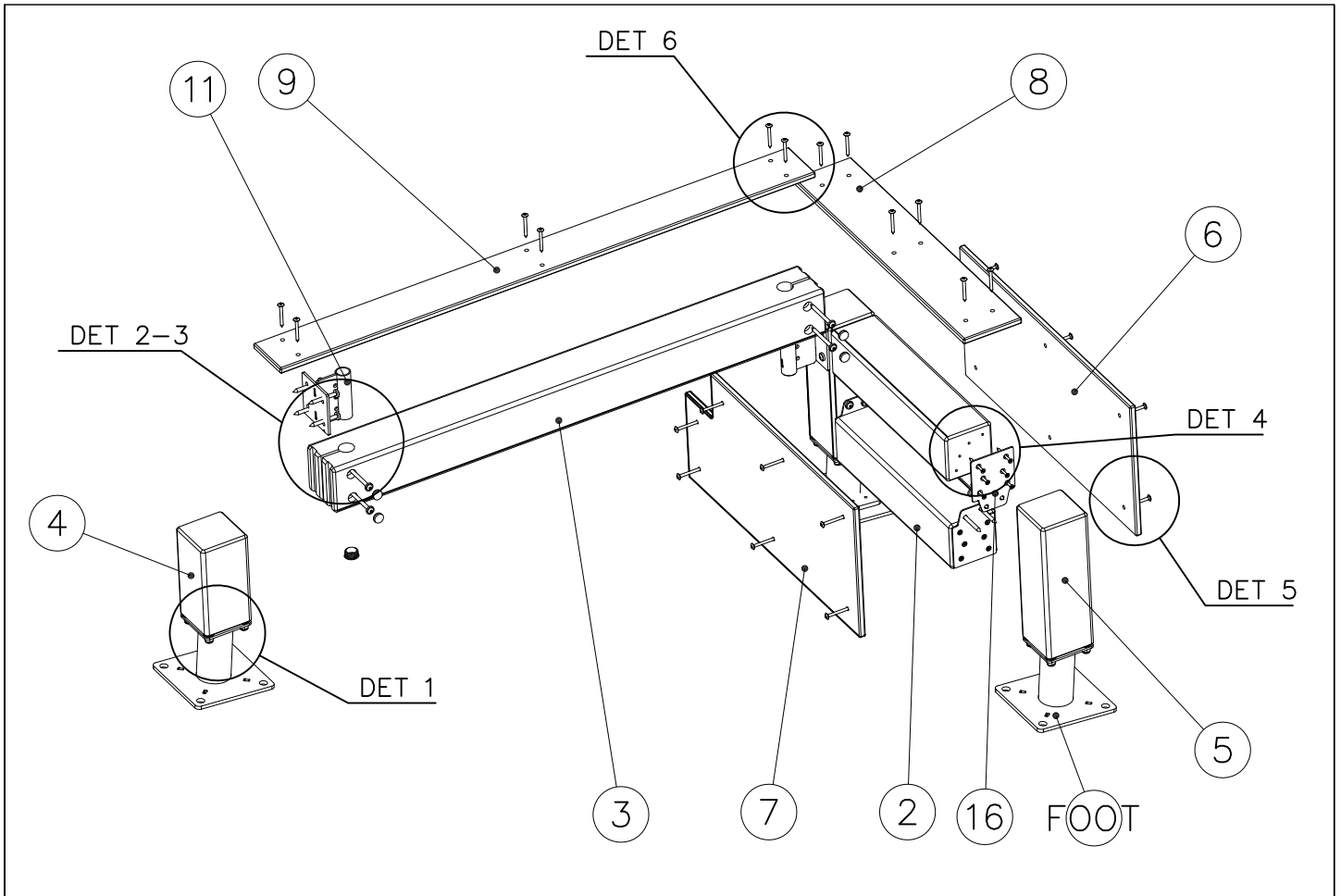
17	980100	PCS	18	980114	PCS	19	980123	PCS
		28			4			25
								
	Ø5x60			Ø4x20			Ø7x60	

FOOT OPTIONS

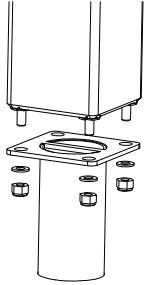
709261+		709262+	
○ 910267	PCS	○ 910567	PCS
SURFACE	3	CONCRETE	3
			
152x200x200		117x117x715	

----- Falling Space 13.8 m²
Max Falling Height 530 mm

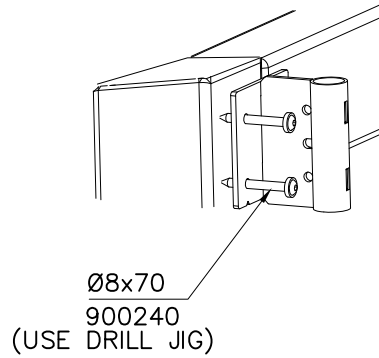




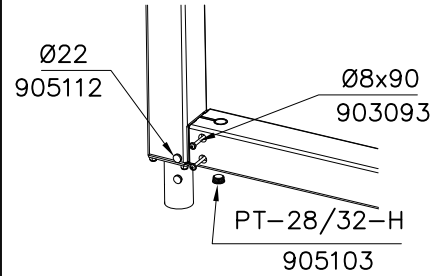
DET 1



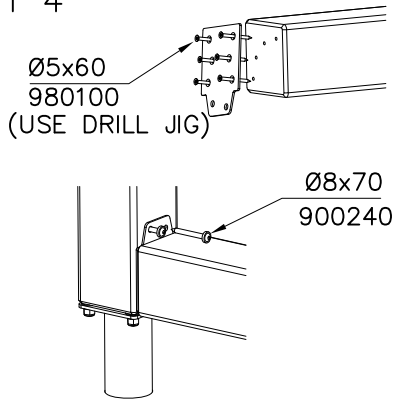
DET 2



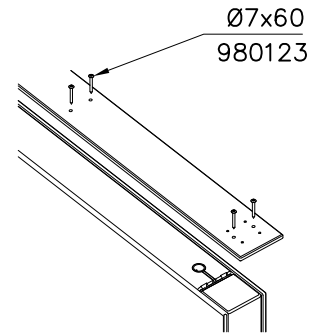
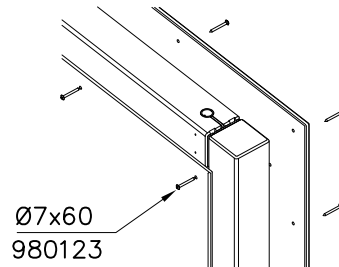
DET 3



DET 4

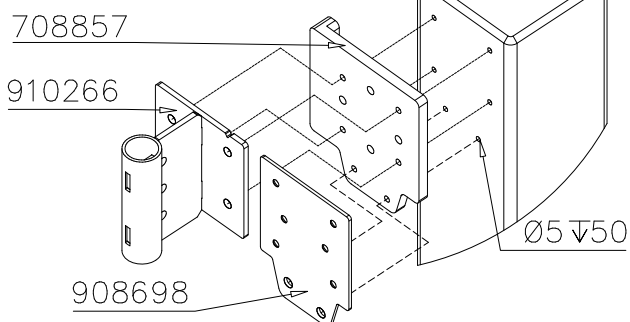


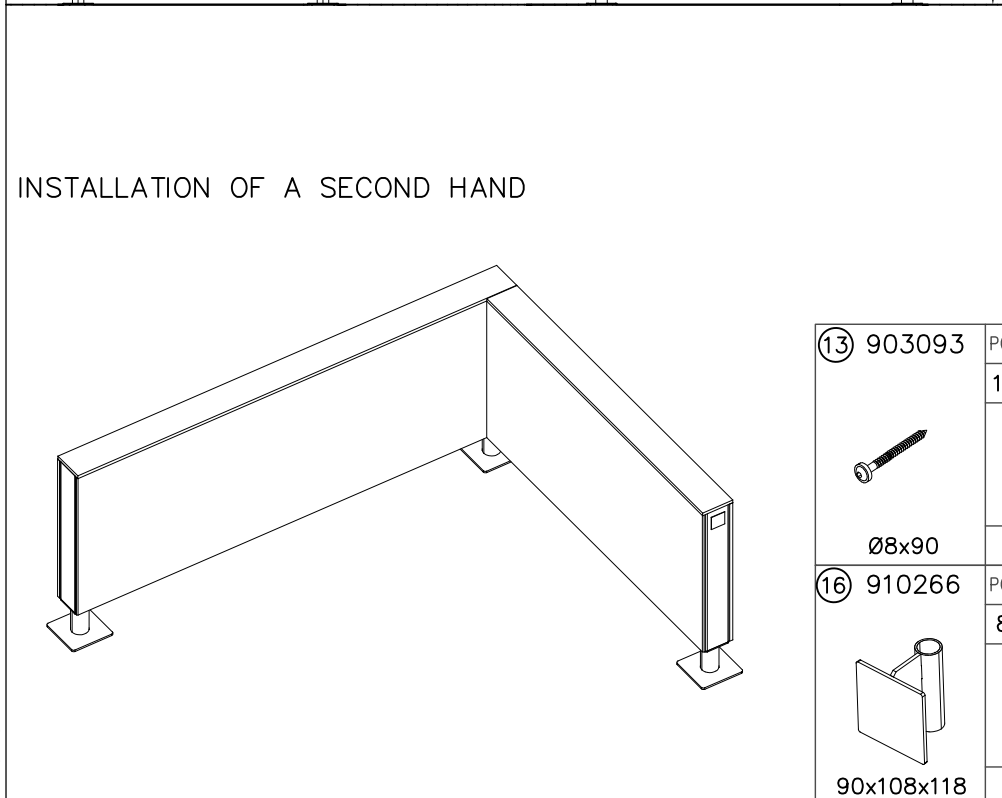
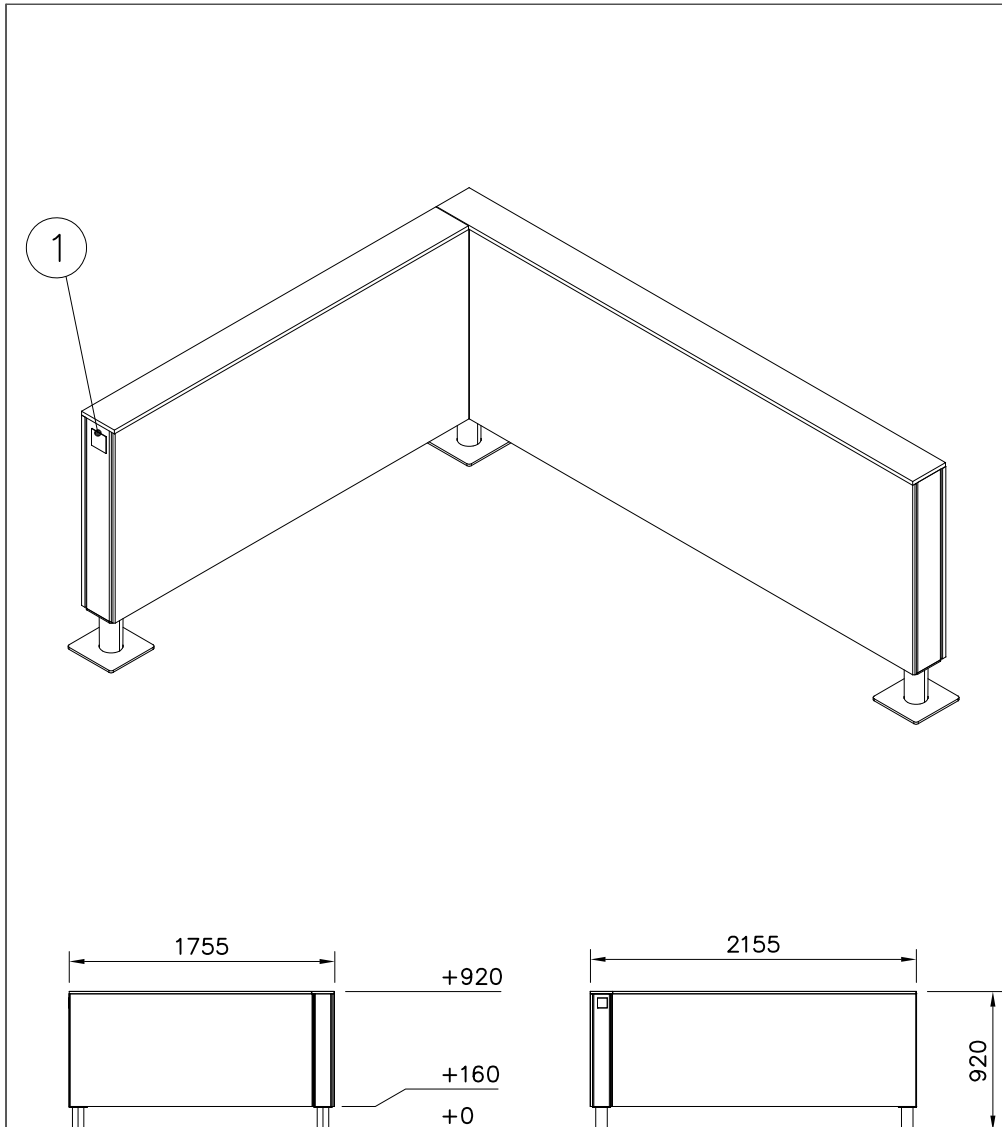
DET 5



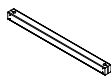


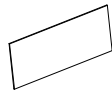

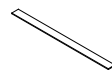
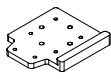
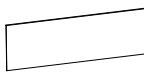






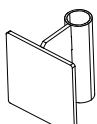



JIG DET A (USE DET 2-4)

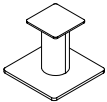
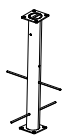
NOTE:
Use drill jig 708857
to predrill $\text{Ø}5\sqrt{50}$
holes for 910266
and 908698



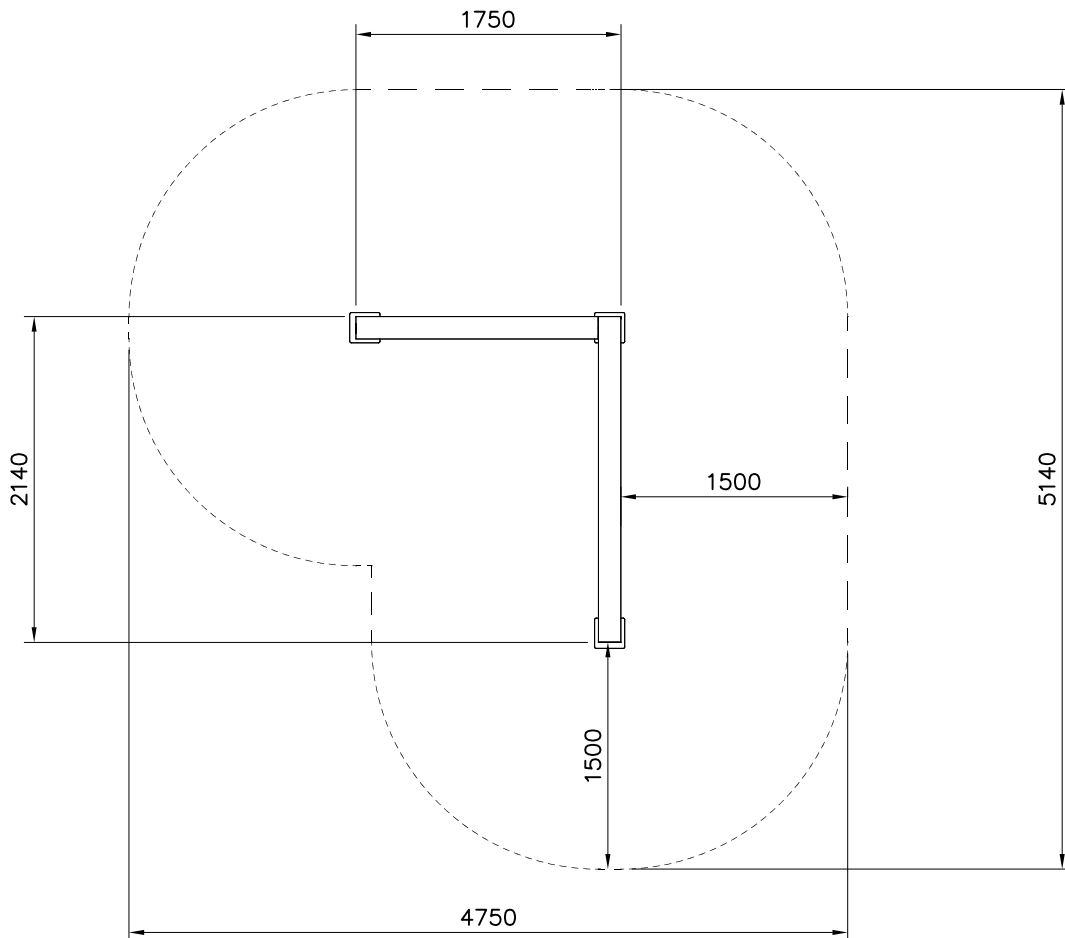
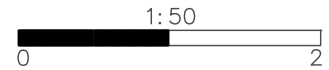


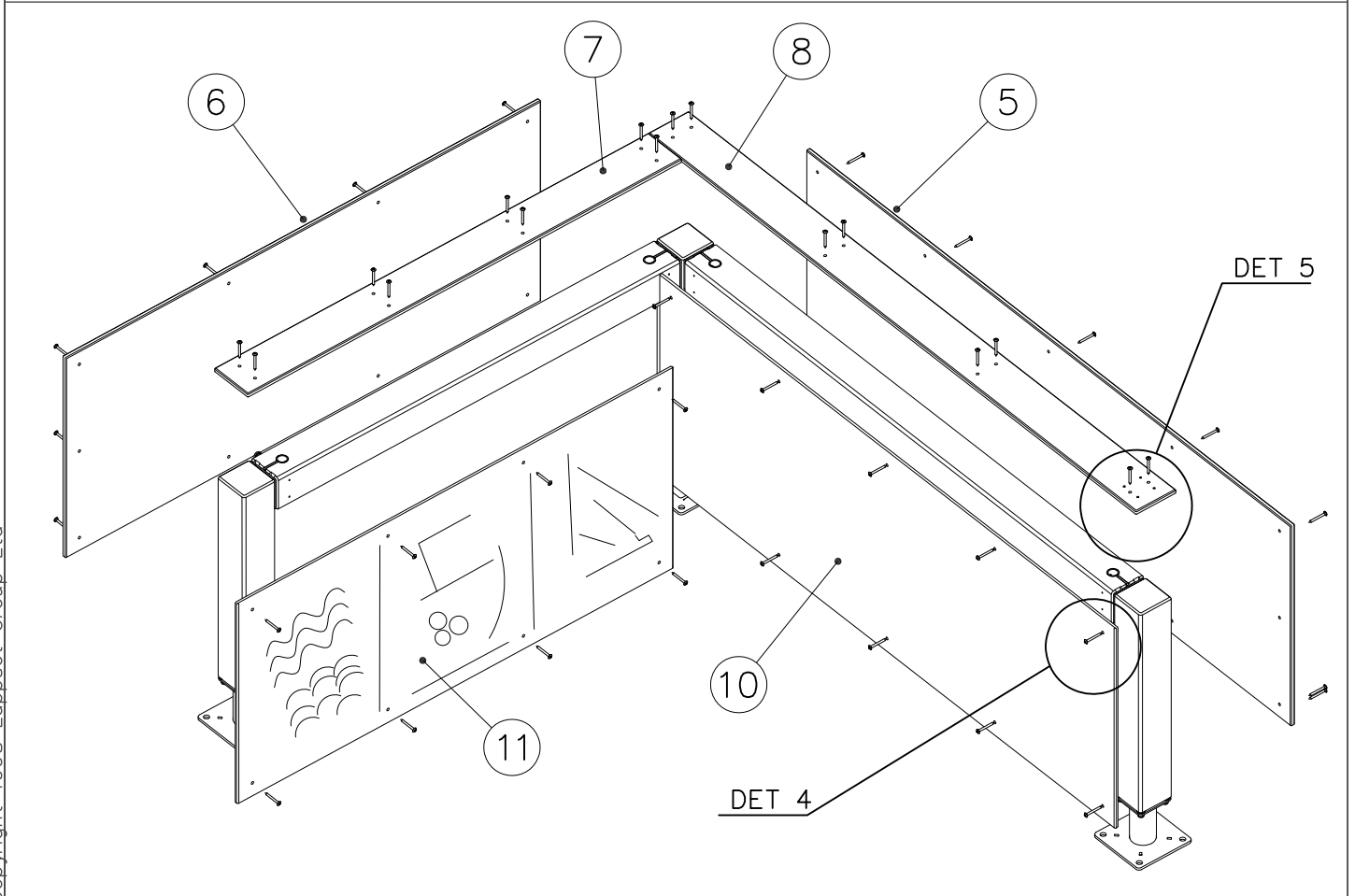
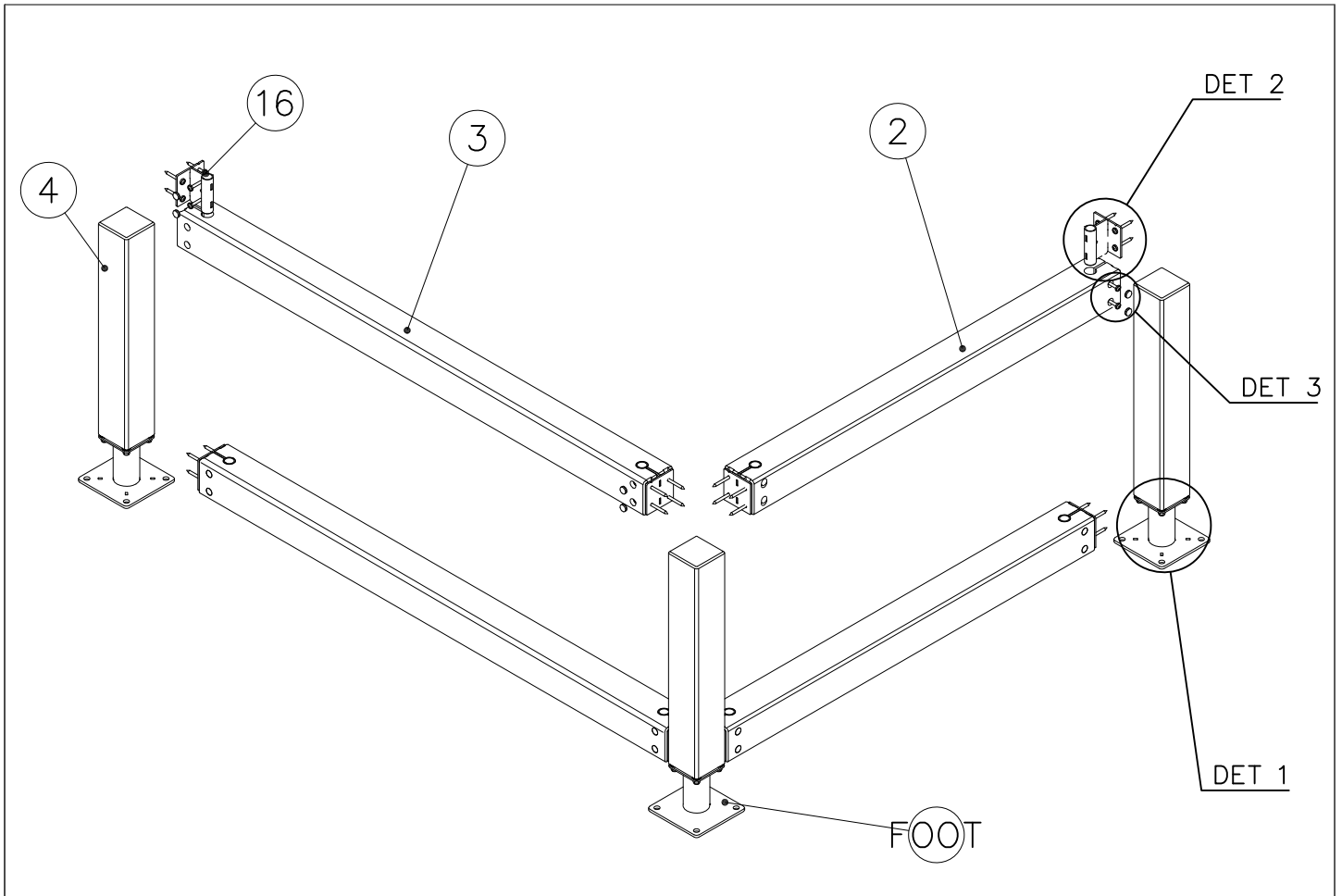
①	702286	PCS	②	707213	PCS
		1			2
	65x65			118x118x1490	
③	707517	PCS	④	708137	PCS
		2			3
	118x118x1892			118x118x745	
⑤	708715	PCS	⑥	708716	PCS
		1			1
	15x745x2140			15x745x1753	
⑦	708737	PCS	⑧	708738	PCS
		1			1
	15x148x1601			15x148x2153	
⑨	708857 JIG	PCS	⑩	911309 COLOR	PCS
		1			1
	20x133x149			12x745x2015	
⑪	911311 MURAL	PCS	⑫	900240	PCS
		1			32
	12x745x1610			Ø8x70	
⑬	903093	PCS	⑭	905103	PCS
		16			16
	Ø8x90			PT-28/32-H	
⑮	905112	PCS	⑯	980123	PCS
		16			56
	Ø22			Ø7x60	
⑰	910266	PCS	⑱	980114	PCS
		8			4
	90x108x118			Ø4x20	

FOOT OPTIONS

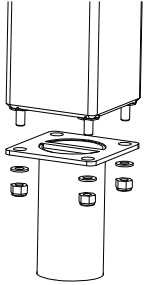
709261+		709262+	
○ 910330	PCS	○ 910567	PCS
SURFACE	3	CONCRETE	3
			
152x200x200		117x117x715	

----- Falling Space 18.8 m²
 Max Falling Height 920 mm

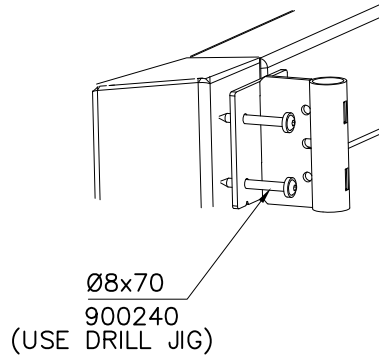




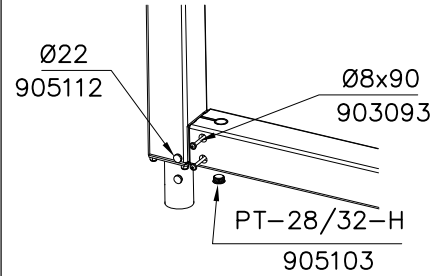
DET 1



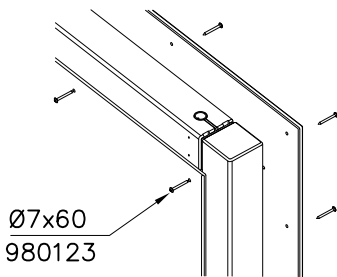
DET 2



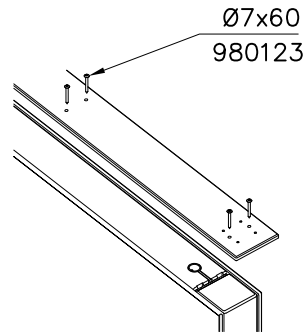
DET 3



DET 4

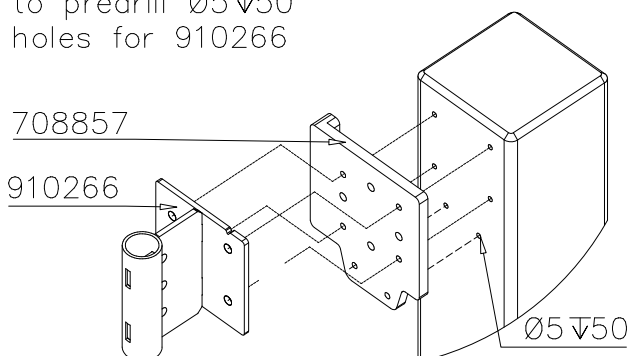


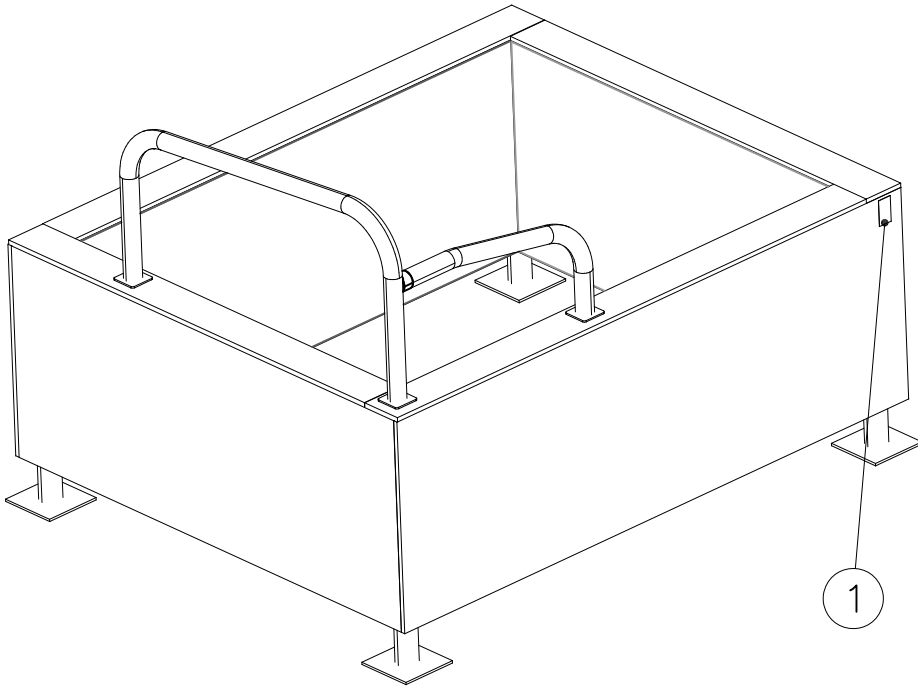
DET 5



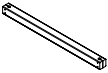



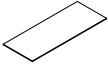


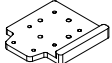





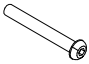


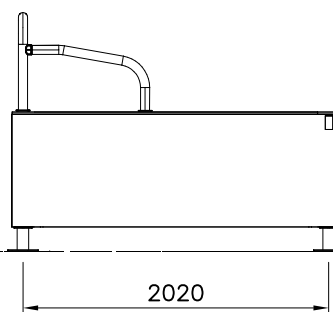
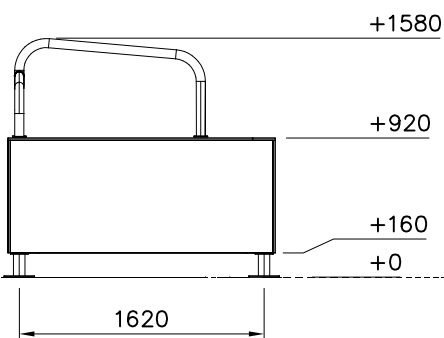
JIG DET A (USE DET 2)

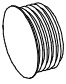

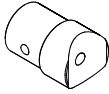
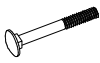


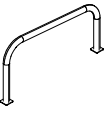
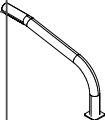
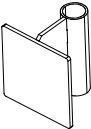


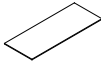
NOTE:
Use drill jig 708857
to predrill $\text{Ø}5 \nabla 50$
holes for 910266



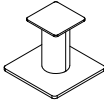
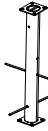


①	702341	PCS	②	707213	PCS
		1			4
	90x50			118x118x1490	
③	707517	PCS	④	708137	PCS
		4			4
	118x118x1892			118x118x745	
⑤	708836	PCS	⑥	708837	PCS
		2			2
	15x745x1736			15x745x2168	
⑦	708839	PCS	⑧	708840	PCS
		1			2
	15x745x1897			15x148x2018	
⑨	708841	PCS	⑩	708857	PCS
		2		JIG 	1
	15x148x1616			20x133x149	
⑪	980154	PCS	⑫	900240	PCS
		1			64
	Ø24/13			Ø8x70	
⑬	900965	PCS	⑭	903093	PCS
		1			44
	M10			Ø8x90	
⑮	903533	PCS	⑯	904133	PCS
		4			1
	SRL12			M10x80	

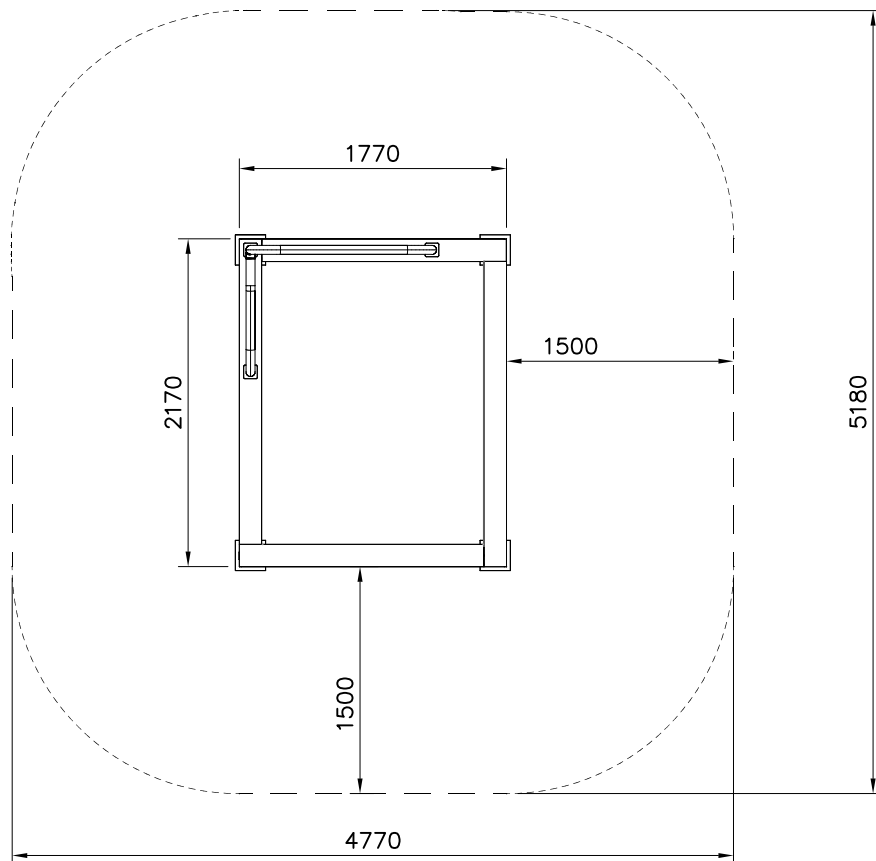
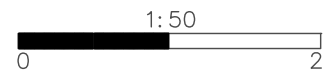


<p>⑰ 905103</p>  <p>PCS 16</p> <p>PT-28/32-H</p>	<p>⑱ 905112</p>  <p>PCS 32</p> <p>Ø22</p>	<p>⑲ 908069</p>  <p>PCS 1</p> <p>Ø60x87.6</p>	<p>⑳ 909111</p>  <p>PCS 1</p> <p>M12x100</p>	<p>㉑ 909248</p>  <p>PCS 1</p> <p>M12</p>	<p>㉒ 909638</p>  <p>PCS 4</p> <p>Ø20/10.5</p>
<p>㉓ 910254</p>  <p>PCS 1</p> <p>Ø60x650x1290</p>	<p>㉔ 910262</p>  <p>PCS 1</p> <p>Ø60x435x795</p>	<p>㉕ 910266</p>  <p>PCS 16</p> <p>90x108x118</p>	<p>㉖ 980123</p>  <p>PCS 108</p> <p>Ø7x60</p>	<p>㉗ 911288 COLOR</p>  <p>PCS 2</p> <p>15x745x1465</p>	<p>㉘ 911289 COLOR</p>  <p>PCS 1</p> <p>15x745x1897</p>

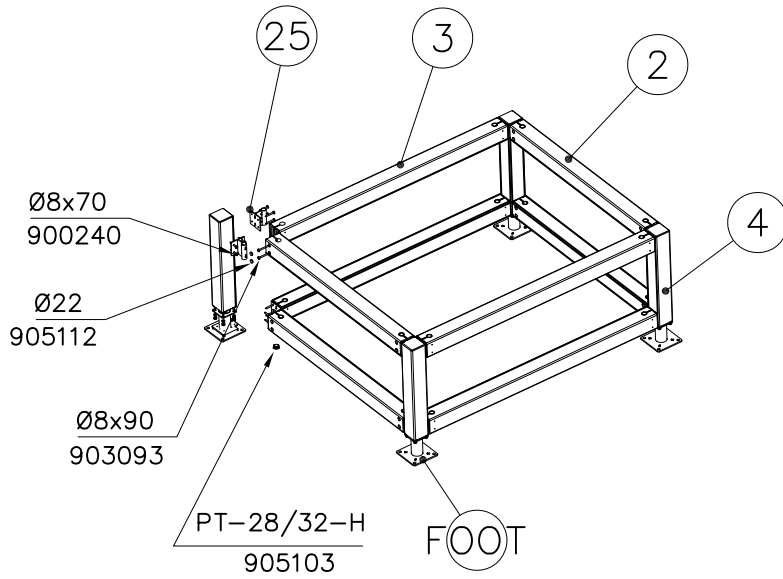
FOOT OPTIONS

<p>709261+</p> <p>○ 910330 SURFACE</p>  <p>PCS 4</p> <p>152x200x200</p>	<p>709262+</p> <p>○ 910567 CONCRETE</p>  <p>PCS 4</p> <p>117x117x715</p>
---	--

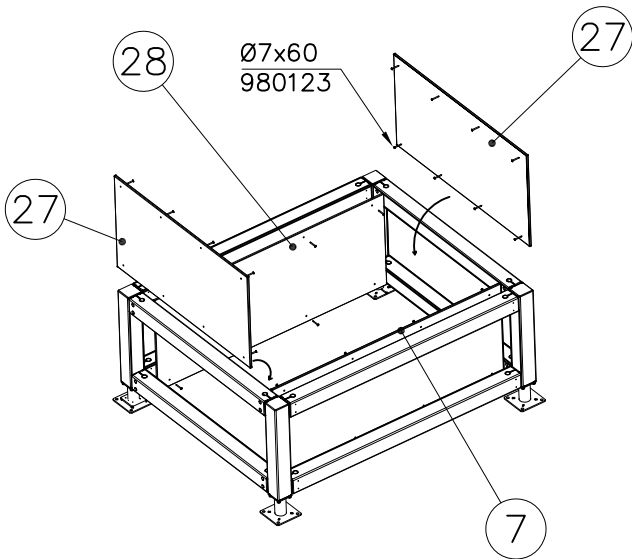
----- Falling Space 22.7 m²
Max Falling Height 1580 mm



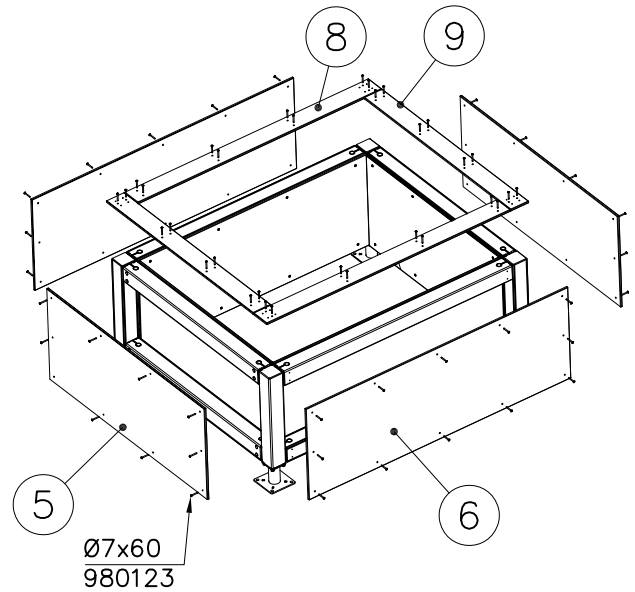
DET 1



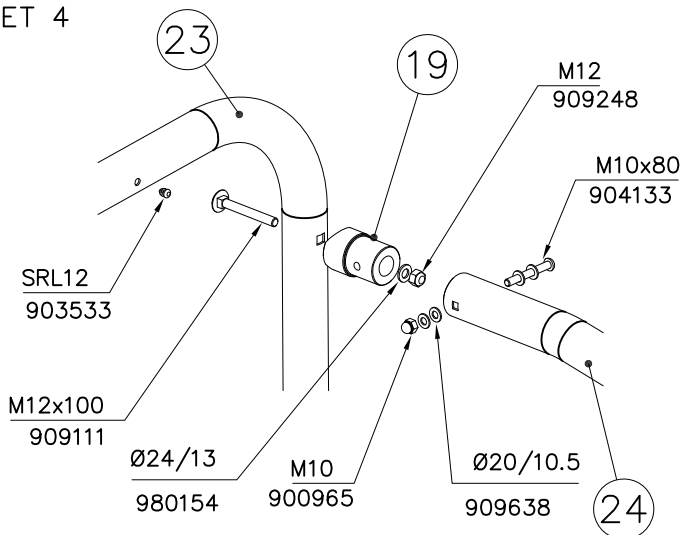
DET 2



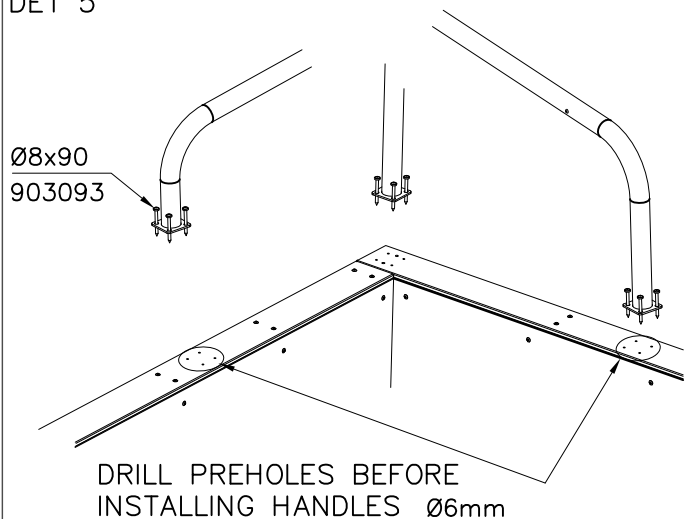
DET 3

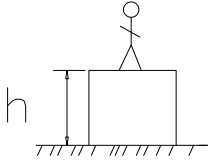


DET 4



DET 5





$h < 1600$

Totally hard surfaces or materials with very limited impact attenuating properties.

Case by case risk assessment is needed including e.g. evaluation whether there is forced movement, what is the intended exercise and where will the product be installed.

Materials with significant impact attenuating properties.

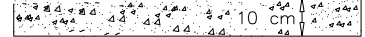
Totally hard surfaces.
E.g. concrete or asphalt



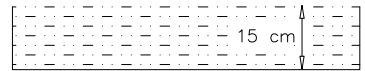
Materials with very limited impact attenuating properties.
E.g. wood



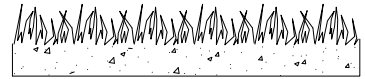
fine gravel 0–8 mm



Unsorted sand/ topsoil



Lawn

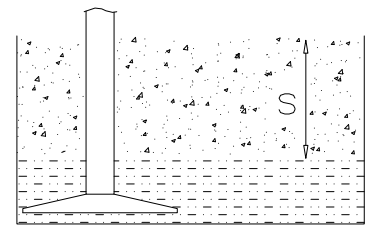


$h = 1600-$

$h < 3000$

Loose fill material

E.g.
sand/gravel 0,25...8 mm $D_{60}/D_{10} < 3,0$
Woodchips 5...30 mm
bark 20...80 mm



\underline{S}
30 cm \underline{h}
 < 3,0 m

Synthetic granulates

\underline{S}	\underline{h}
40 mm	~> 1,6...~< 1,8 m
50 mm	~> 1,8...~< 2,25 m
55 mm	~> 2,25...~< 2,4 m
60 mm	~> 2,4...~< 2,55 m
70 mm	~> 2,55...~< 3,0 m

Note. For accurate values, see manufacturer's instructions.

