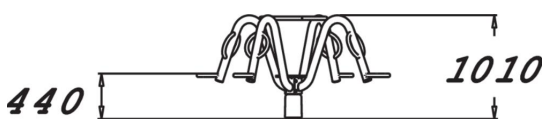
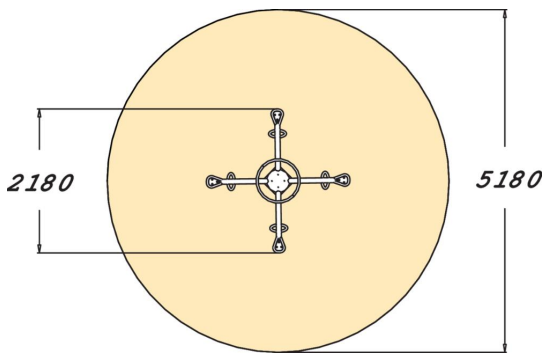


Rotating play equipment with seats for four persons. The seats rotate around a pole and move up and down. The seats are located at a height of 440 mm. A round plate in the middle of the equipment provides space for standing. The small diameter of the equipment prevents the rotating speed getting too high, and therefore the equipment does not need a braking system. Whirling around in the play equipment offers children a fun way of developing their sense of rhythm and balance.



User age	4+
Number of users	5
Product length, mm	2180
Product width, mm	2180
Product height, mm	1010
Impact area, m ²	21
Falling space, m ²	21
Height required, mm	2000
Max. free fall height, mm	1000
Safety info	EN 1176-1, 6 TÜV
Installation time (for 1), H	4
Foundation options	Deep mounting Surface mounting
Metal colour	
Colour of walls and HPL	