

LAPPSET®

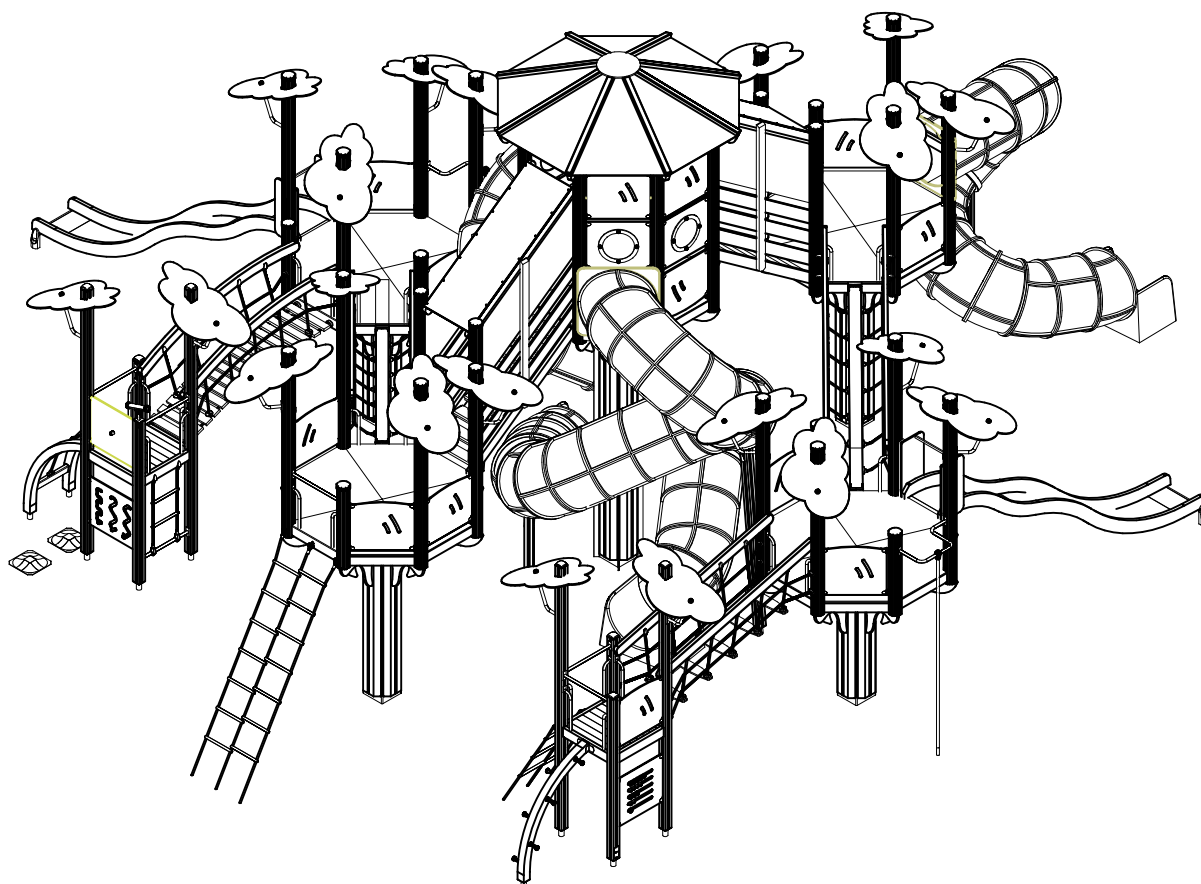
FINNO

ASENNUSOHJE
MONTERINGSANSVISNING
INSTALLATION INSTRUCTION
AUFBAUANLEITUNG
NOTICE D'INSTALLATION


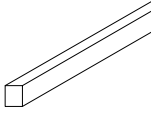

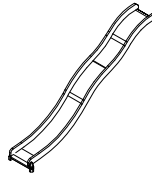


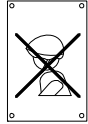
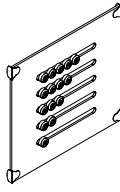

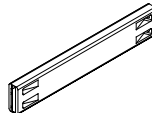
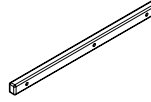
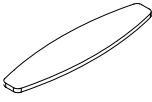
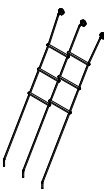
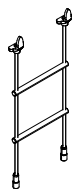
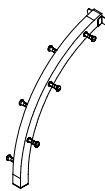

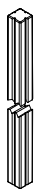

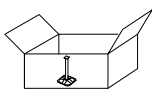
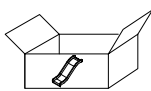
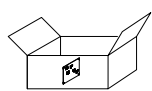
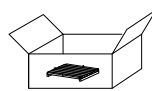
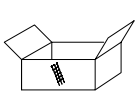
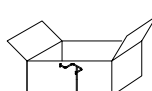
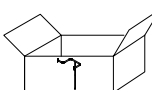
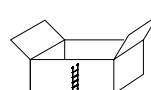
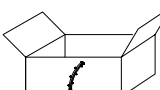

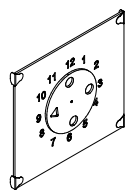
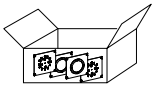
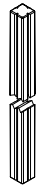


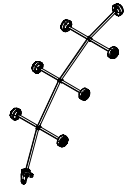
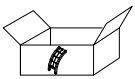
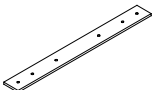
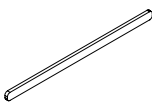
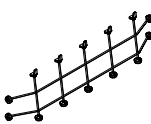
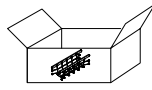

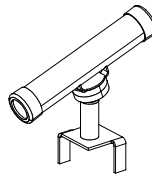
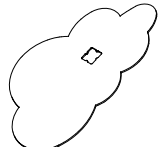
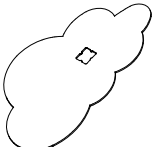
DATE: 3.10.2017

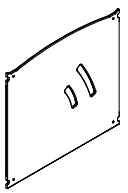
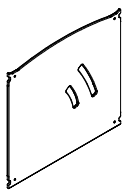
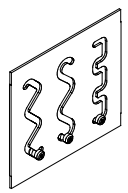
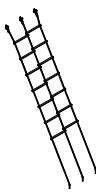

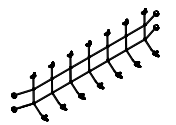

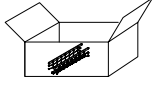
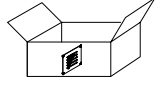
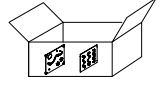
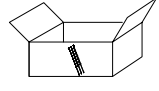
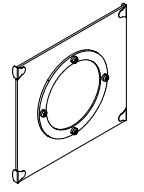
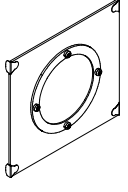
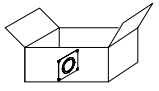

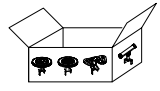
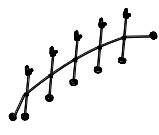
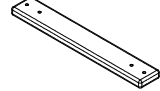

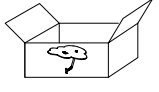
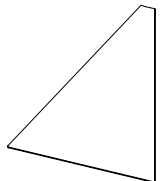
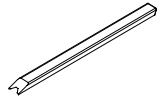

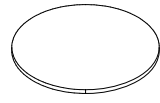
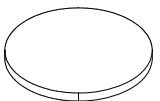
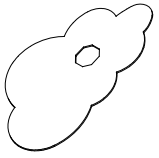
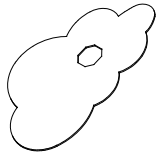
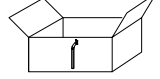
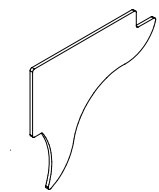
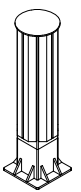

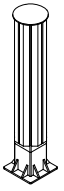

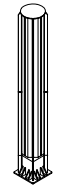

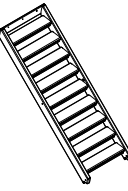

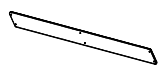
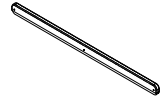
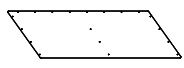
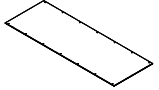
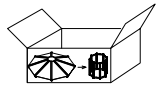
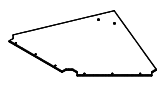
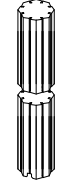
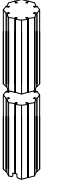
INCLUDES PRODUCTS WHICH
NEED EXPERT KNOWLEDGE OF
CONSTRUCTION TECHNIQUE!

137760

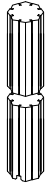
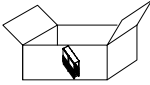
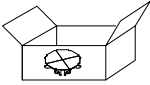
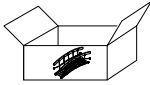
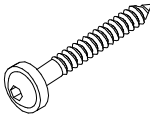
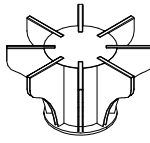
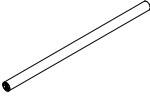
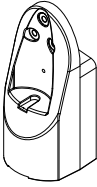


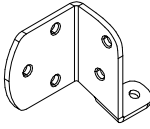
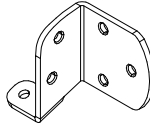
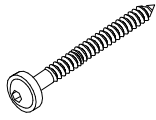
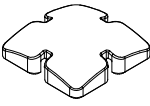
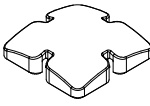
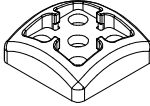
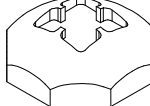
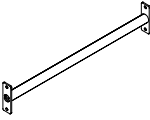
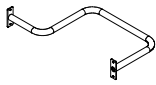
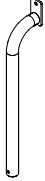

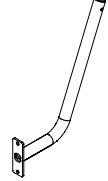
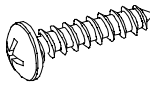

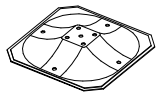
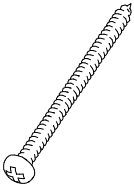


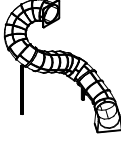

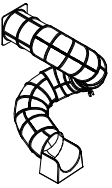




DATE: 3.10.2017

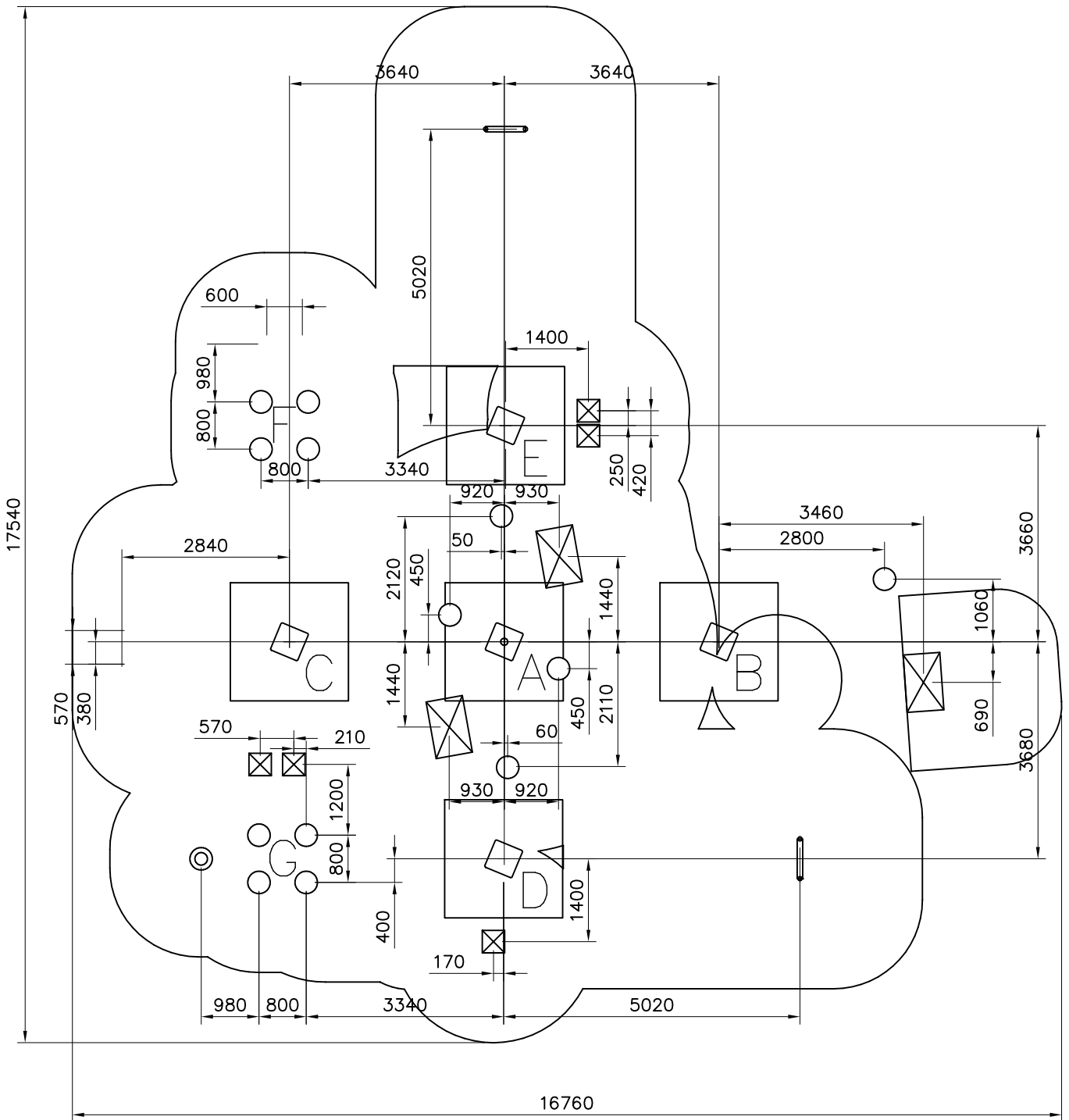
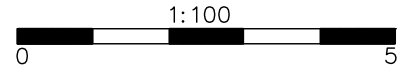
008986  750x750	PCS 2	700414  45x95x778	PCS 6	701401-602  L 1250	PCS 1	701448-602  600x2020x4010	PCS 2	701665  45x95x555	PCS 1	702286  65x65	PCS 1
702339  118x78	PCS 1	706308-703  10x640x702	PCS 1	706371-703  15x345x750	PCS 4	706439-602  L 704	PCS 59	706443  32x45x702	PCS 4	706453  15x145x600	PCS 5
706462-305 	PCS 1	706473-305 	PCS 1	706475-602  1387x1020x325	PCS 1	706484-602  93x93x2150	PCS 4	706499-602  93x93x860	PCS 2	706505  35x70x730	PCS 4
706531 	PCS 16	706533 	PCS 2	706534 	PCS 29	706535 	PCS 2	706536 	PCS 1	706541 	PCS 2
706542 	PCS 2	706546 	PCS 1	706607 	PCS 1	706669-602  93x93x2400	PCS 2	706772-703 	PCS 1	706778 	PCS 1
706790-602  93x93x3500	PCS 4	706871-602  95x1005x1365	PCS 1	706872-602  95x1005x1365	PCS 1	706873-305  1455x505	PCS 1	706877 	PCS 1	707133  10x80x745	PCS 2
707255-609  45x120x2480	PCS 2	707260-305  2375x600	PCS 2	707268  	PCS 1	707304 	PCS 1	707328-701  10x750x1290	PCS 2	707328-703  10x750x1290	PCS 2

707330-703  10x640x702	PCS 24	707330-707  10x640x702	PCS 5	707386-703  10x640x702	PCS 1	707395-305  +2570	PCS 1	707412-609  45x120x3280	PCS 4	707413-305  800x3140	PCS 4
707415 	PCS 2	707417 	PCS 2	707446 	PCS 1	707450 	PCS 1	707451 	PCS 1	707453-703  10x640x702	PCS 3
707453-707  10x640x702	PCS 3	707454 	PCS 6	707584-609  55x120x2480	PCS 2	707585 	PCS 1	707604-305  685x2394	PCS 2	707607  32x95x612	PCS 17
707608-305  Ø16x2374	PCS 2	707665 	PCS 20	707667-701  10x1295x1075	PCS 8	707688-602  45x70x1385	PCS 8	707689-602  45x145x1495	PCS 8	707691-704  15xØ480	PCS 1
707692-704  15xØ225	PCS 1	707700-701  10x750x1290	PCS 8	707700-703  10x750x1290	PCS 8	707732 	PCS 26	707757-611  21x926x1020	PCS 40	707767  	PCS 2
707768  	PCS 2	707769  	PCS 1	707772-602  700x120x2000	PCS 2	707778-602  45x95x1950	PCS 4	707779-707  15x145x2086	PCS 12	707780-602  45x120x2045	PCS 4
707788  8x2632x672	PCS 4	707789  8x695x1955	PCS 2	707792 	PCS 1	707806-704  15x1095x1095	PCS 20	707811-602  140x140x2420	PCS 17	707812-602  140x140x2200	PCS 11

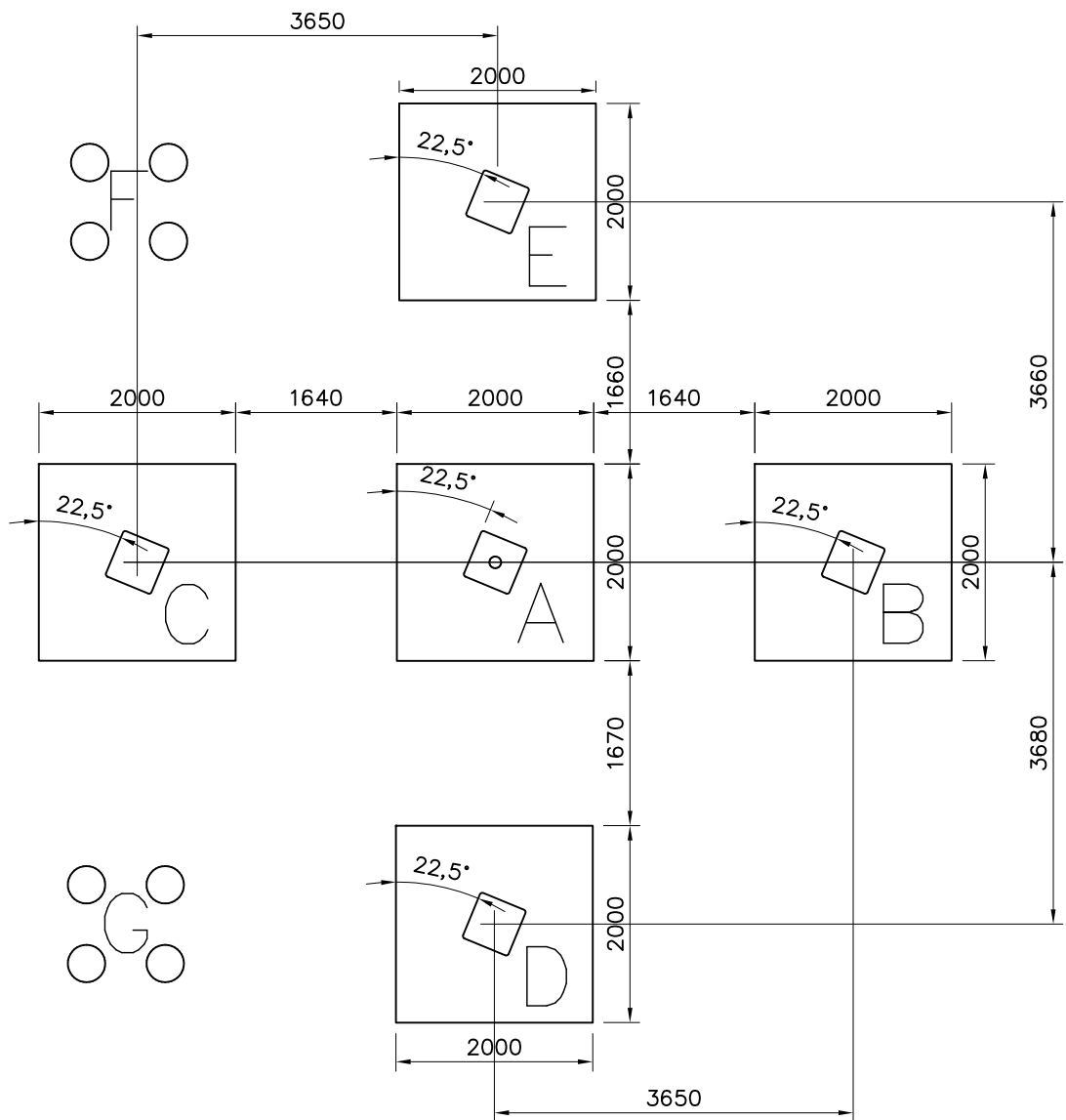
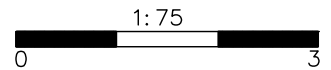
DATE: 3.10.2017

707813-602	PCS 12	707871	PCS 2	707872	PCS 5	707876	PCS 1	900240	PCS 38	900436	PCS 5
											
140x140x1050								8x70		Ø924x512	
901868	PCS 6	901879	PCS 4	901902	PCS 8	901916	PCS 2	902439	PCS 1	902474	PCS 1
											
Ø34x598				30.7x60.9x100		L 650		Left Hand		Right Hand	
	PCS	903093	PCS 236	905138	PCS 7	905139	PCS 32	905196	PCS 7	905197	PCS 32
											
		Ø8x90		GRAY		BLACK		GRAY		BLACK	
907694-216	PCS 6	907695-216	PCS 2	907701-216	PCS 26	907817-216	PCS 2	908207-216	PCS 20	909506	PCS 4
											
L 704						L 2554		336x392x40		Ø3.5x13	
909511	PCS 16	909519	PCS 22	980131	PCS 156	A10006	PCS 1	A10007	PCS 1	A10020	PCS 1
											
90x90x650		50x380x380		6x60							
980114	PCS 4		PCS		PCS		PCS		PCS		PCS
											
Ø4x20											
	PCS		PCS		PCS		PCS		PCS		PCS

EN/AS Impact Area 165.1 m²

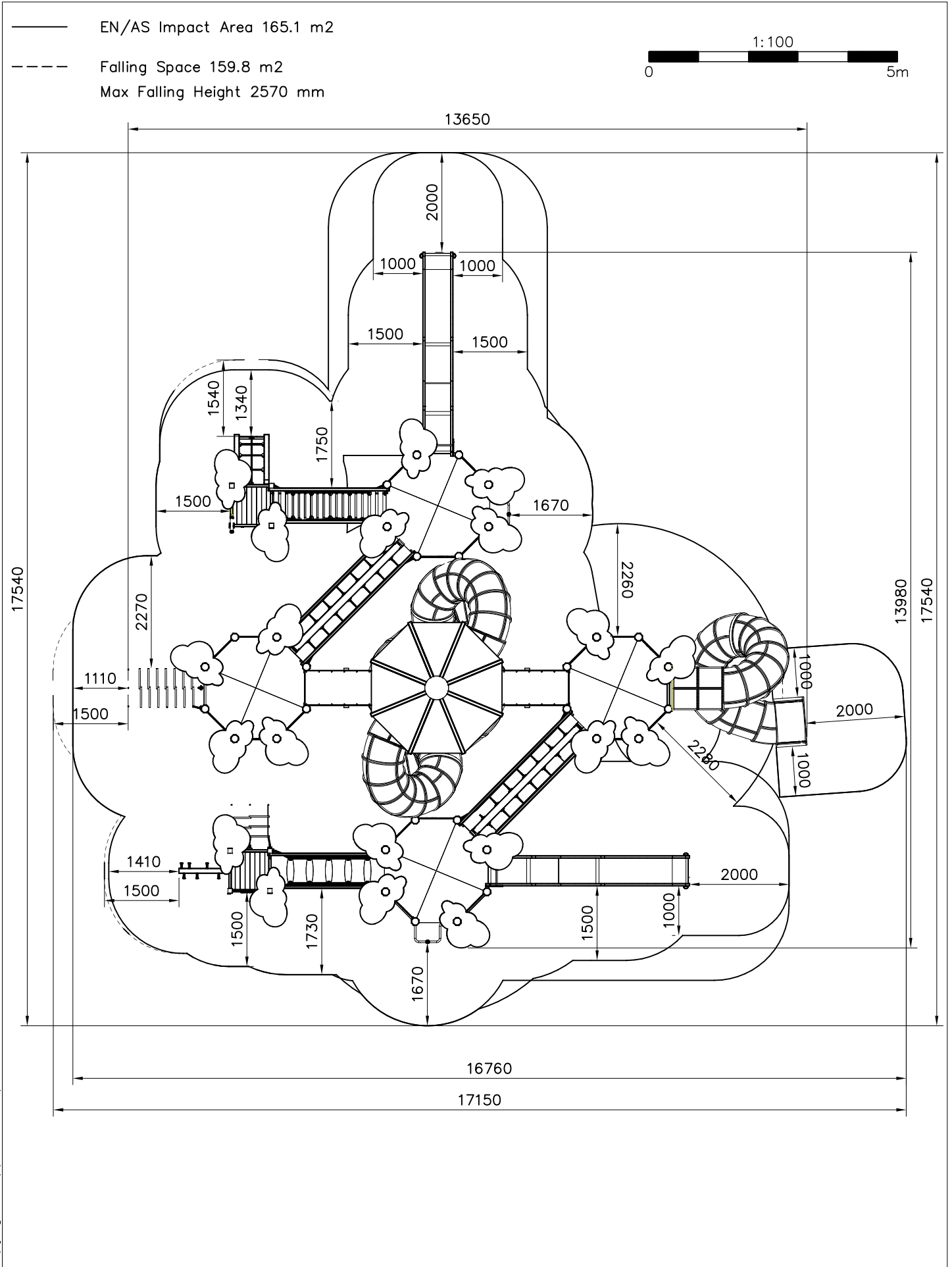


CONCRETE PLACING



ATTENTION!:

- PLACE TOWER POSTS TO THE CENTER OF CONCRETE SLAB
- START INSTALLATION FROM TOWER A
- TOWERS A, B, C ARE IN THE SAME LINE
- DIMENSION TOWER D FROM TOWER B
- DIMENSION TOWER E FROM TOWER C



+6560

+4840

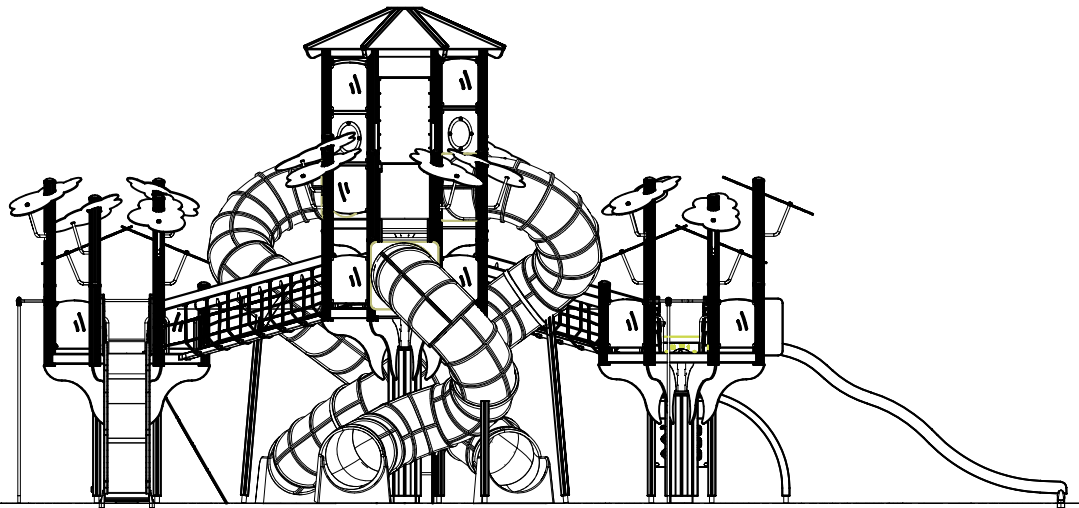
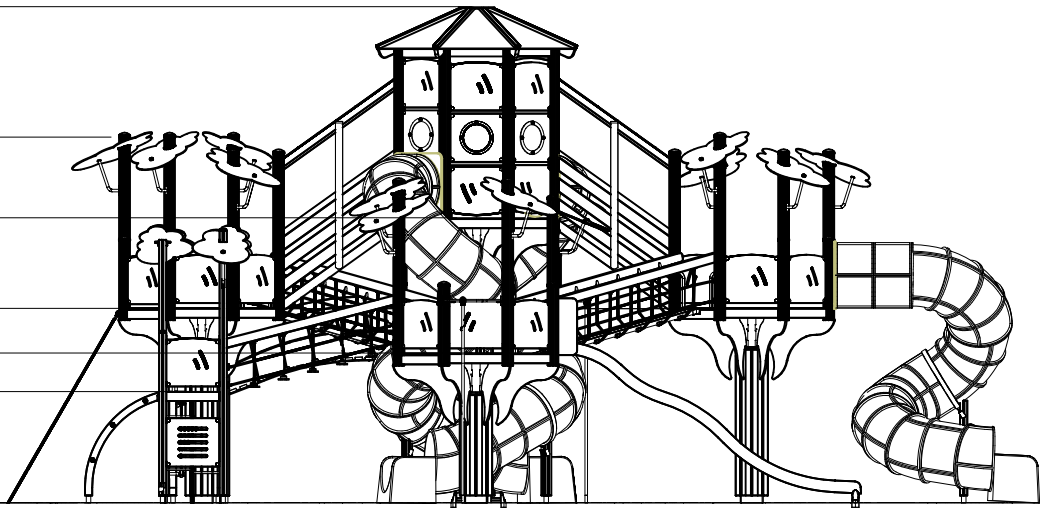
+3770

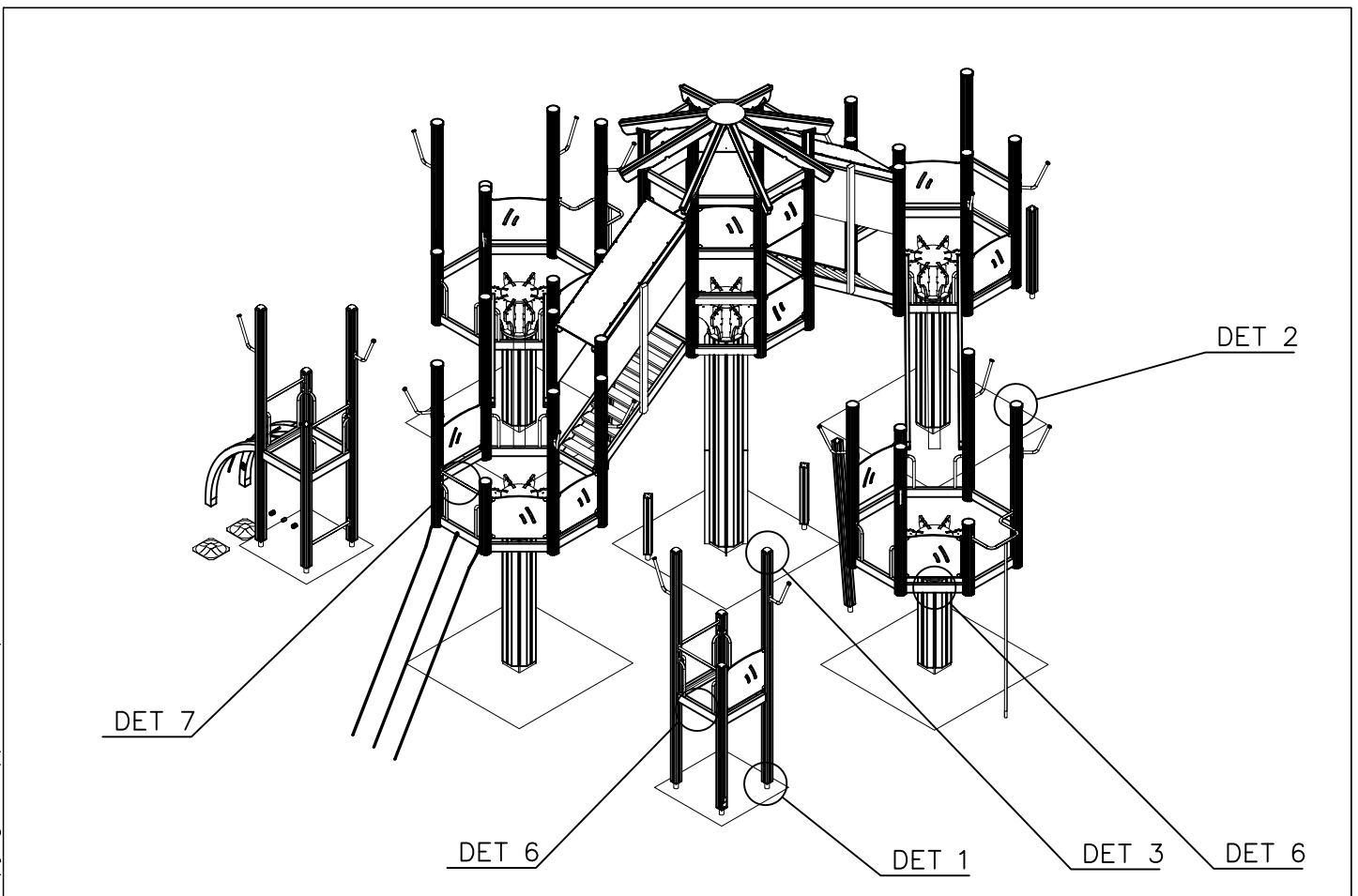
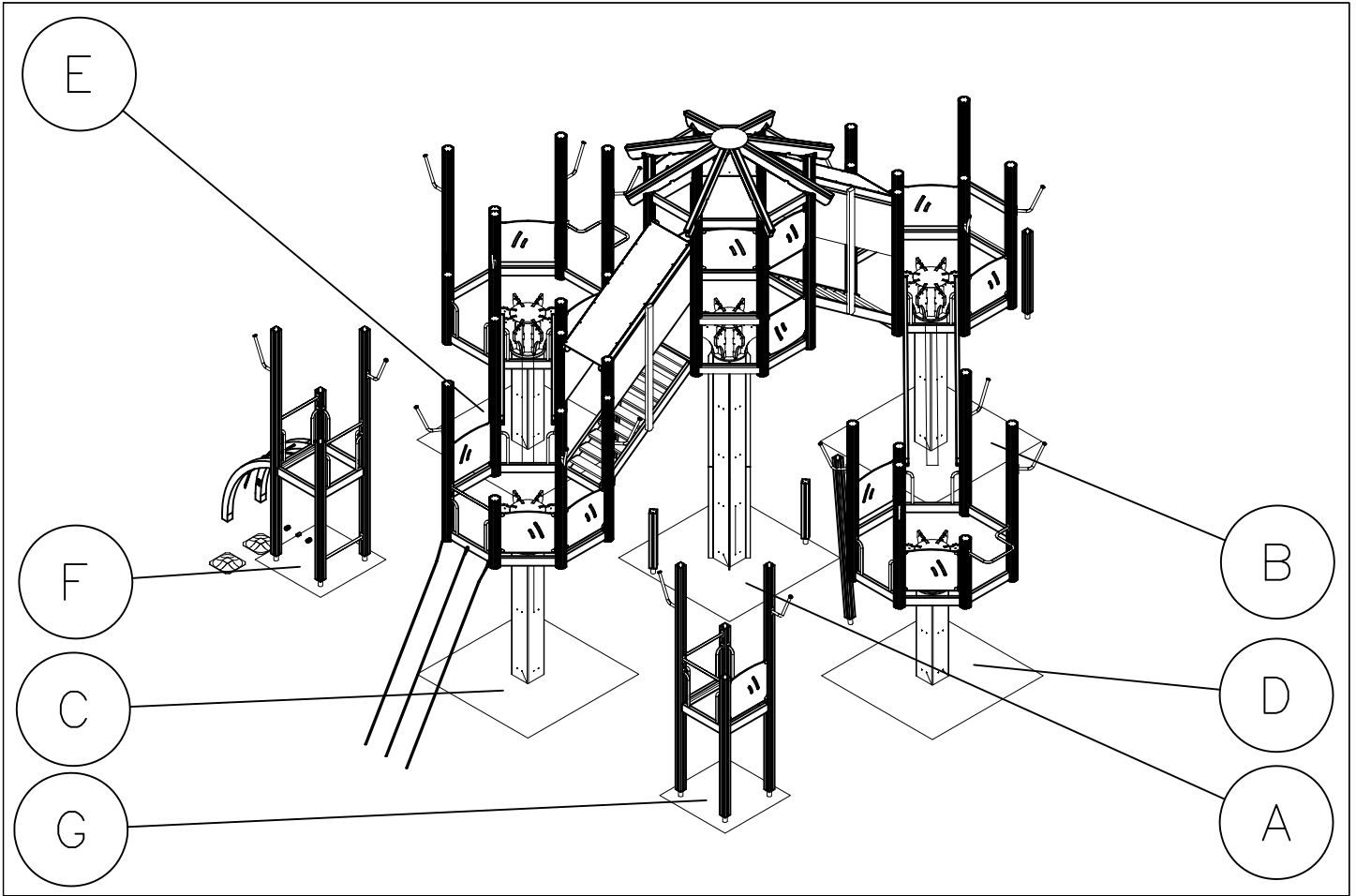
+2570

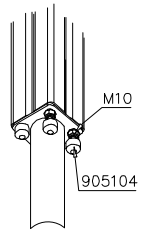
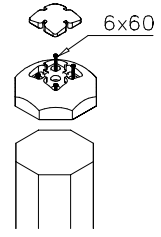
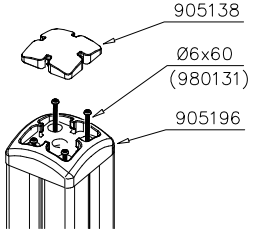
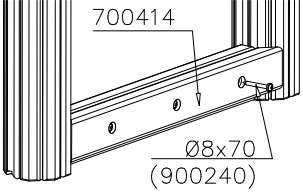
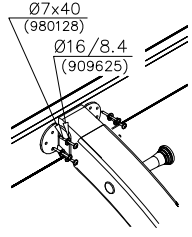
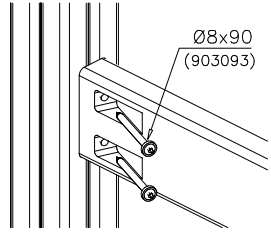
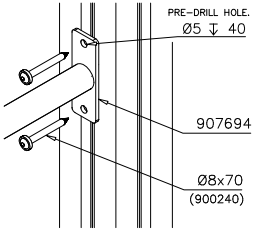
+1980

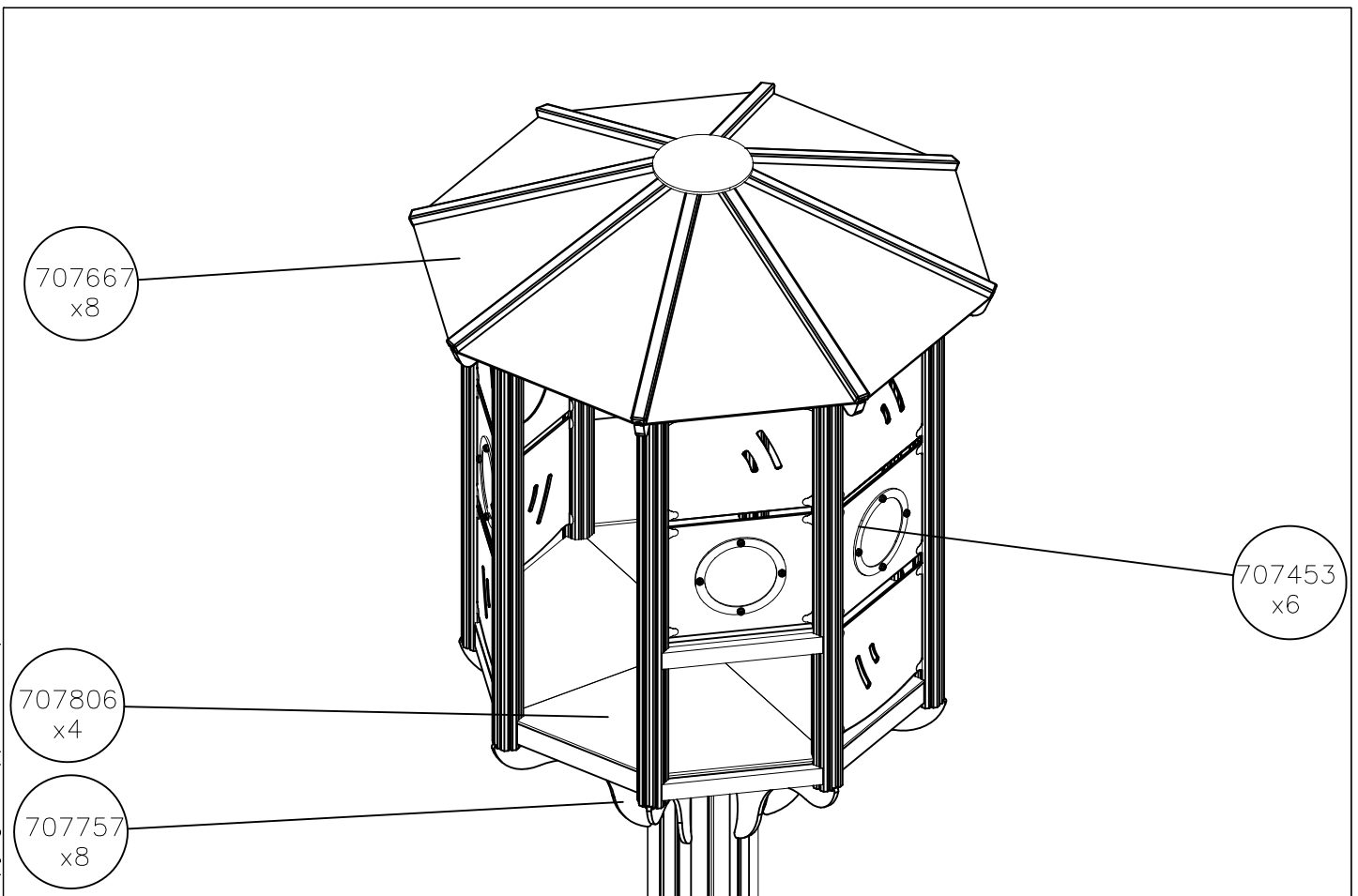
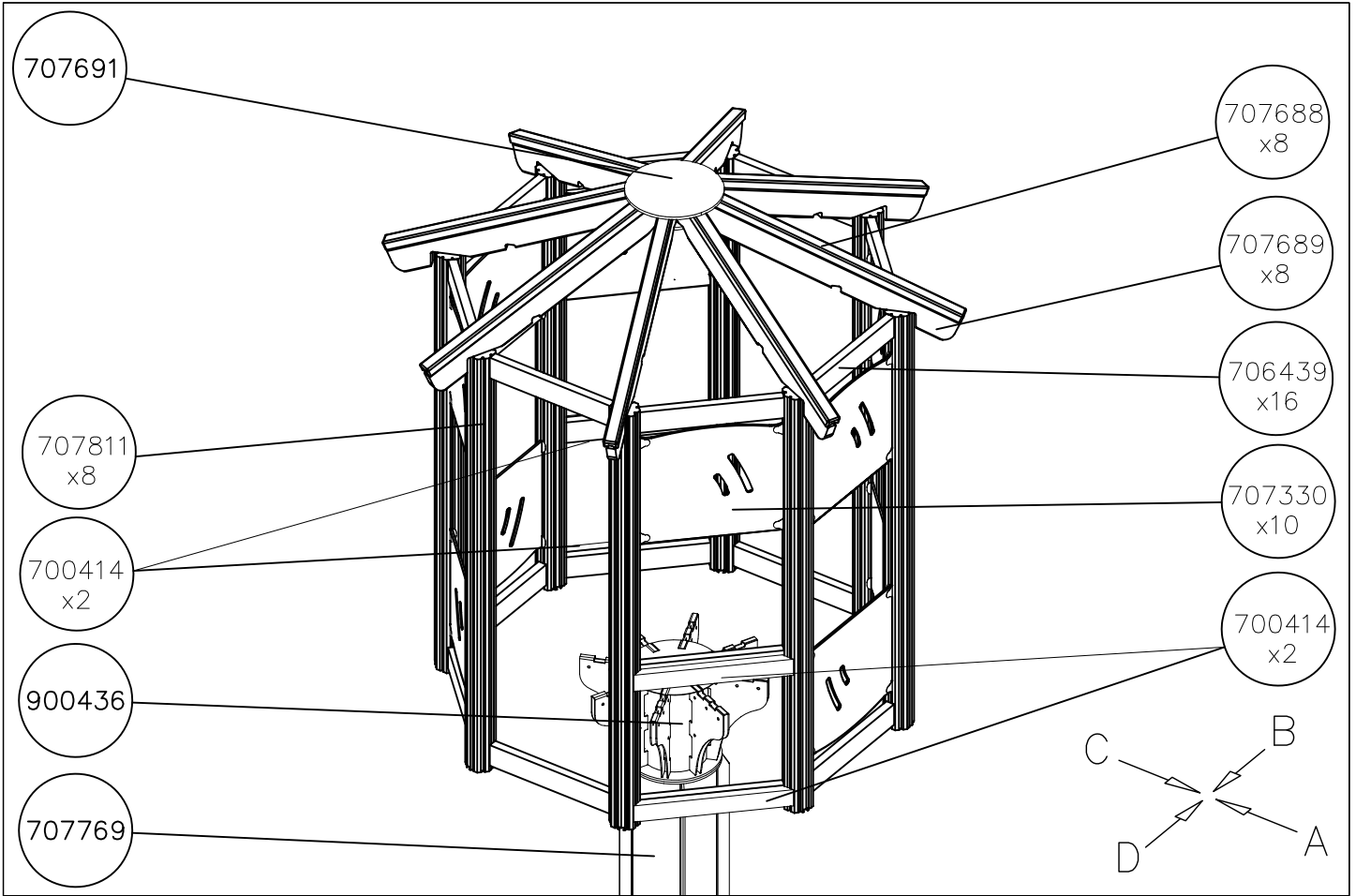
+1470

+0



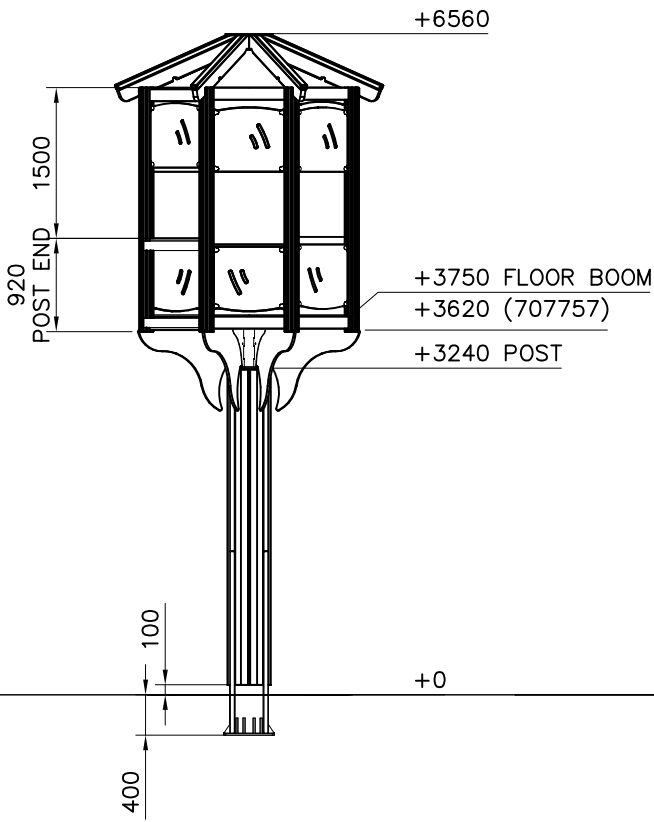


<p>DET 1</p> 	<p>DET 2</p> 	<p>DET 3</p> 	<p>DET 4</p> 
<p>DET 5</p> 	<p>DET 6</p> 	<p>DET 7</p> 	

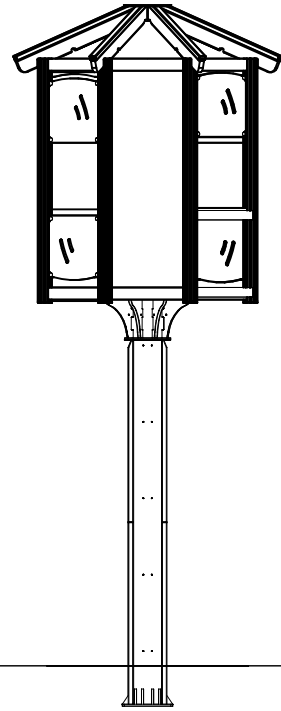


1:50

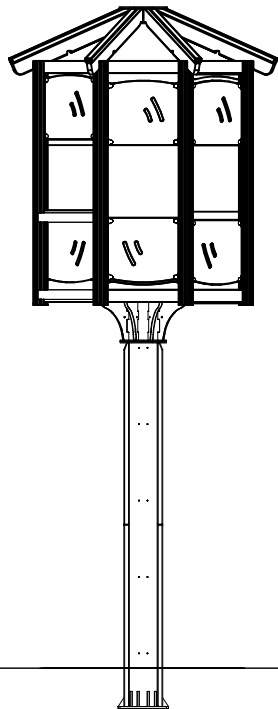
(A)



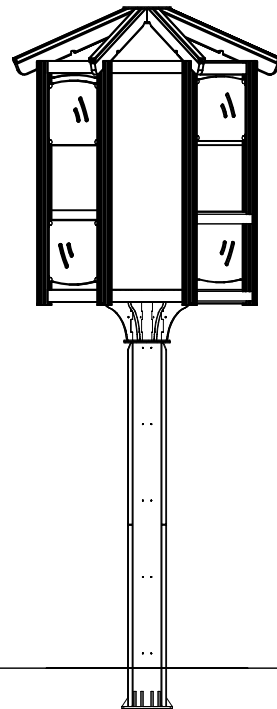
(B)



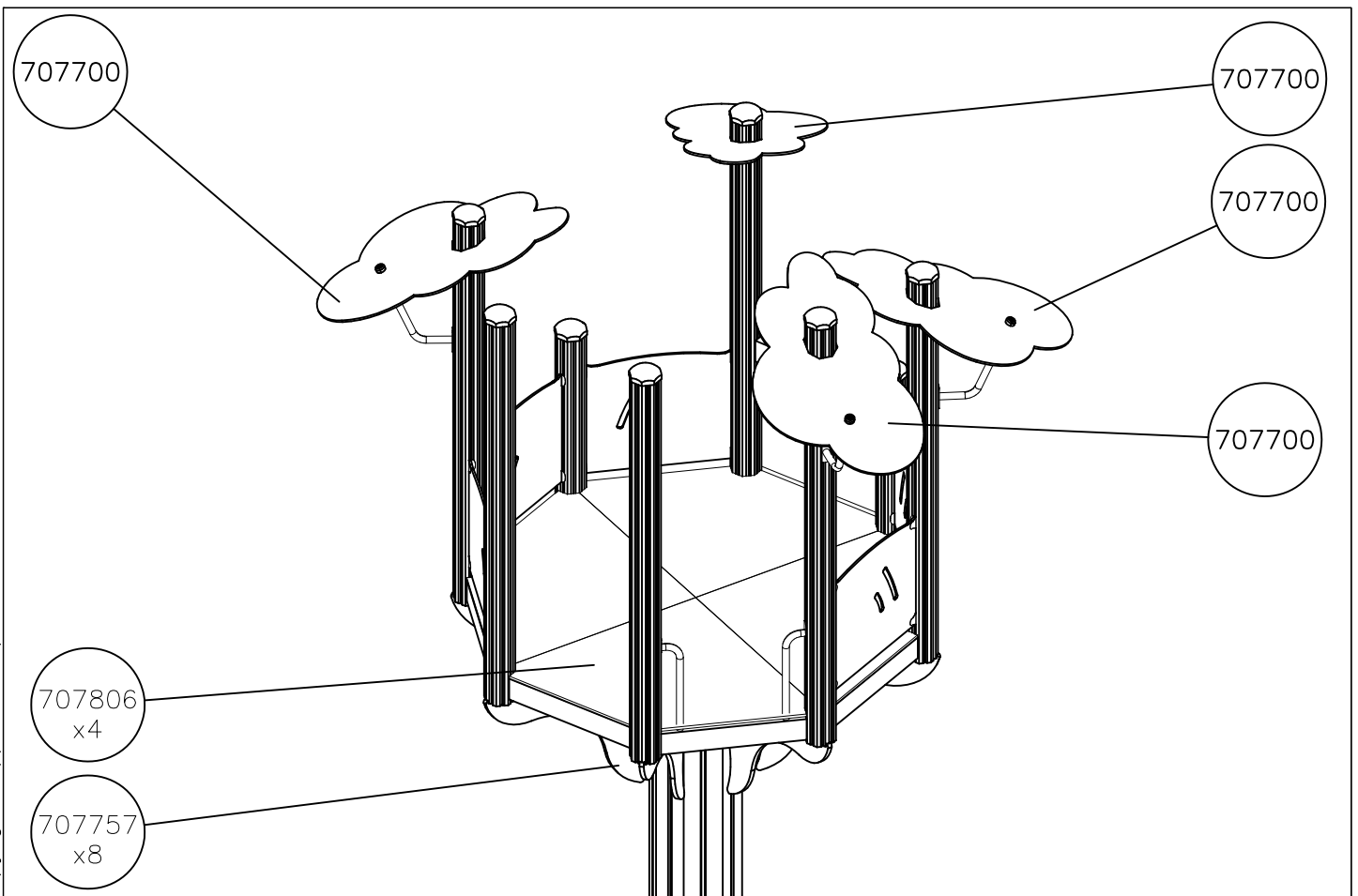
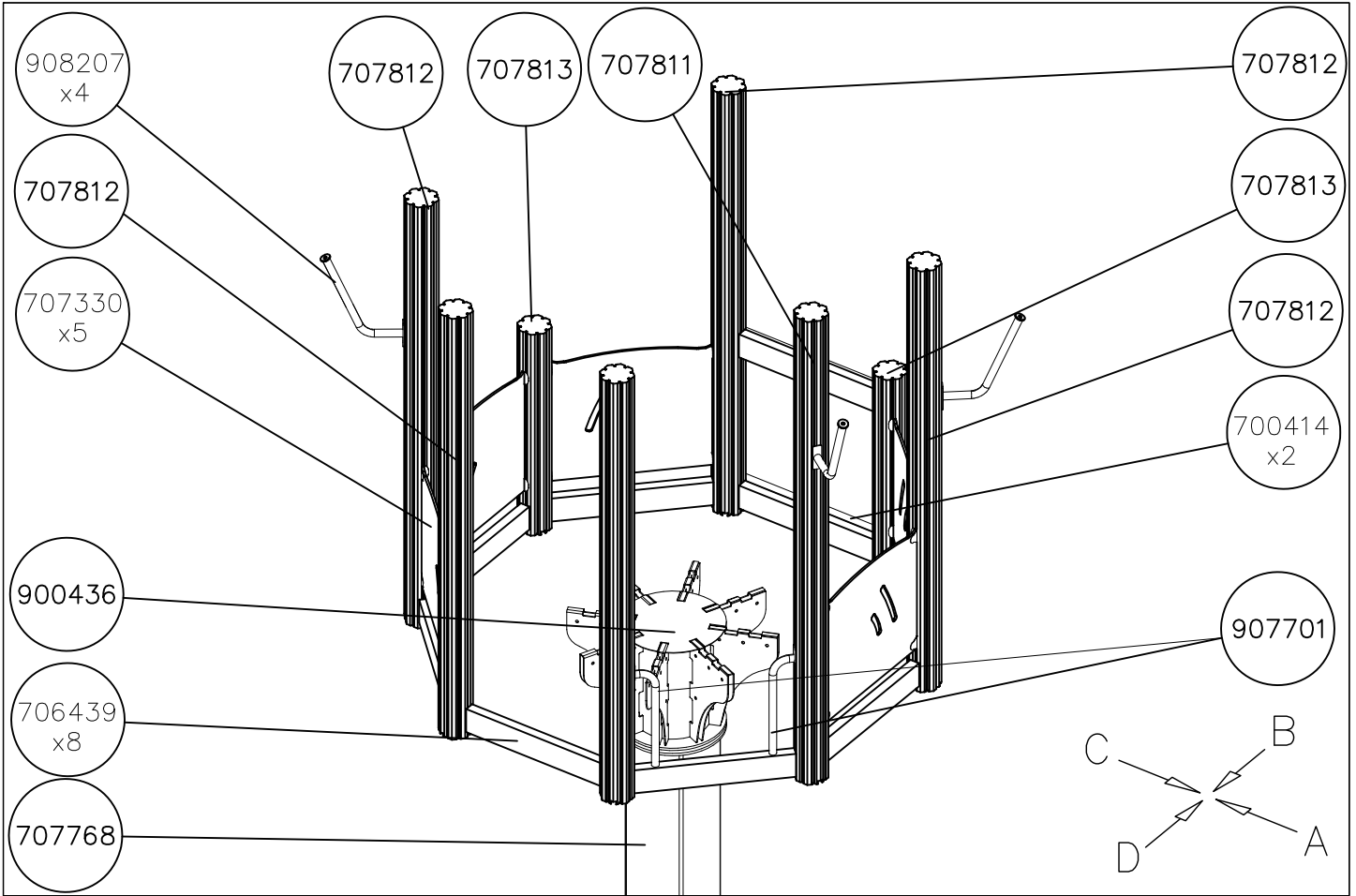
(C)

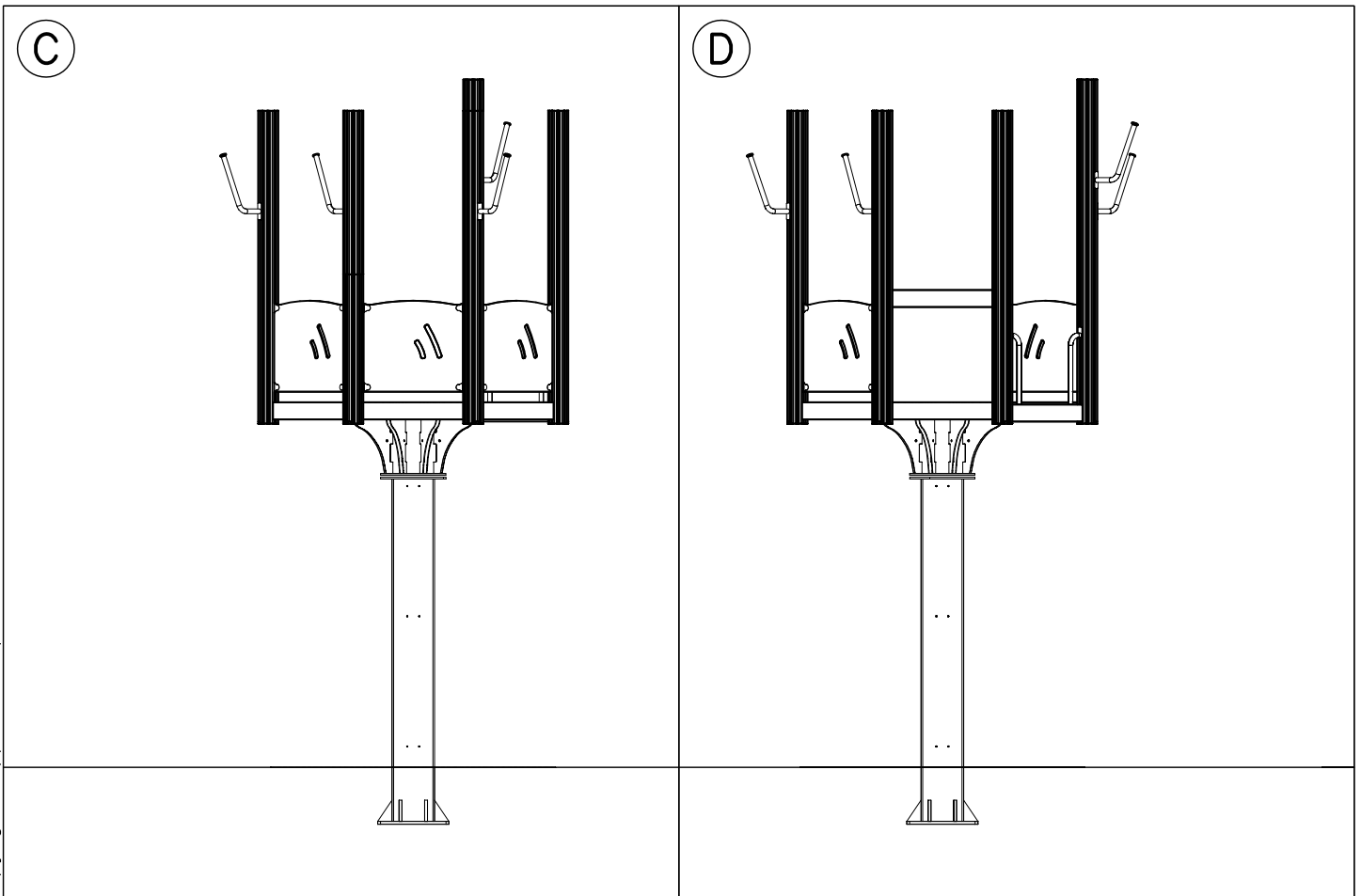
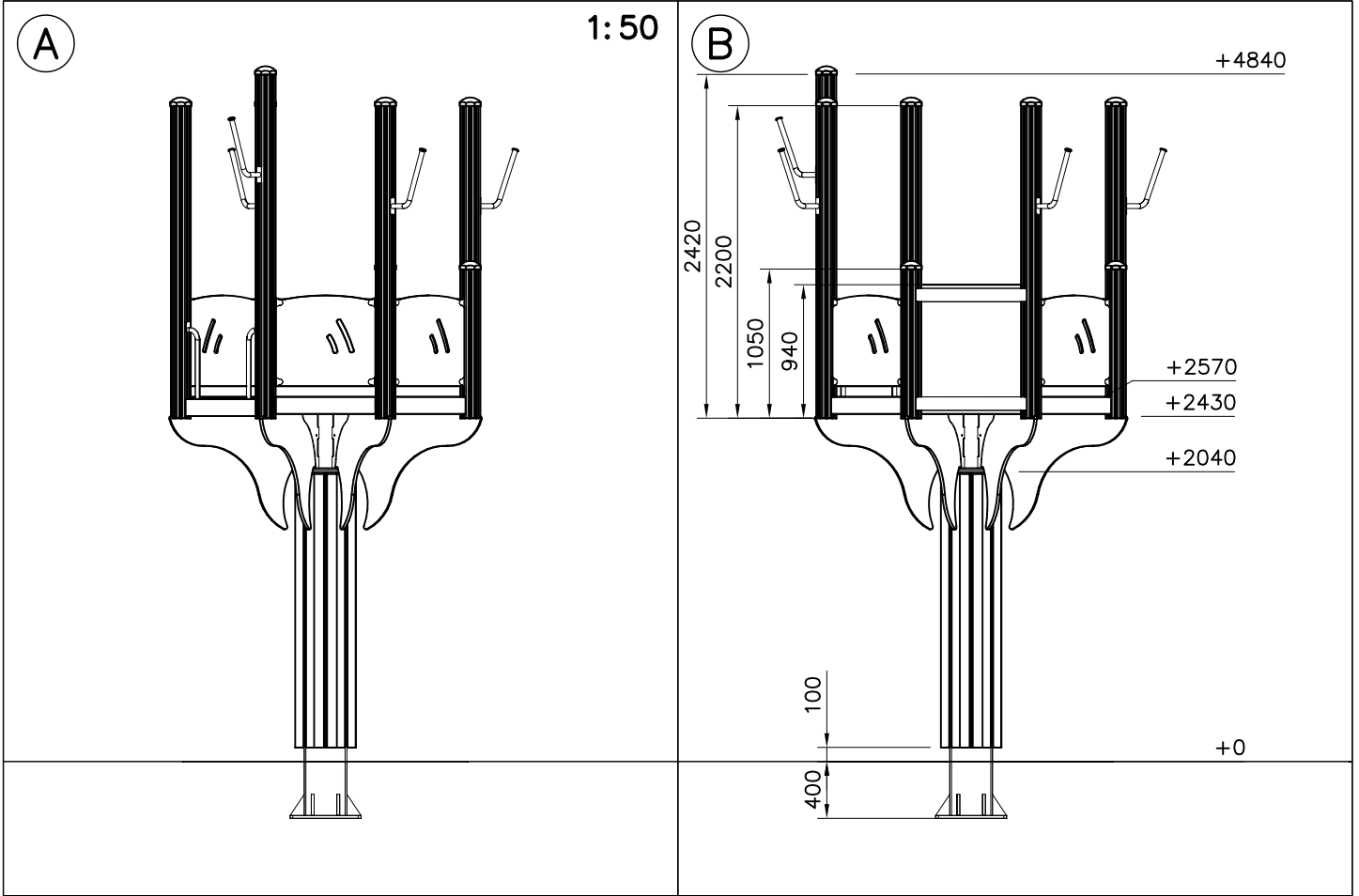


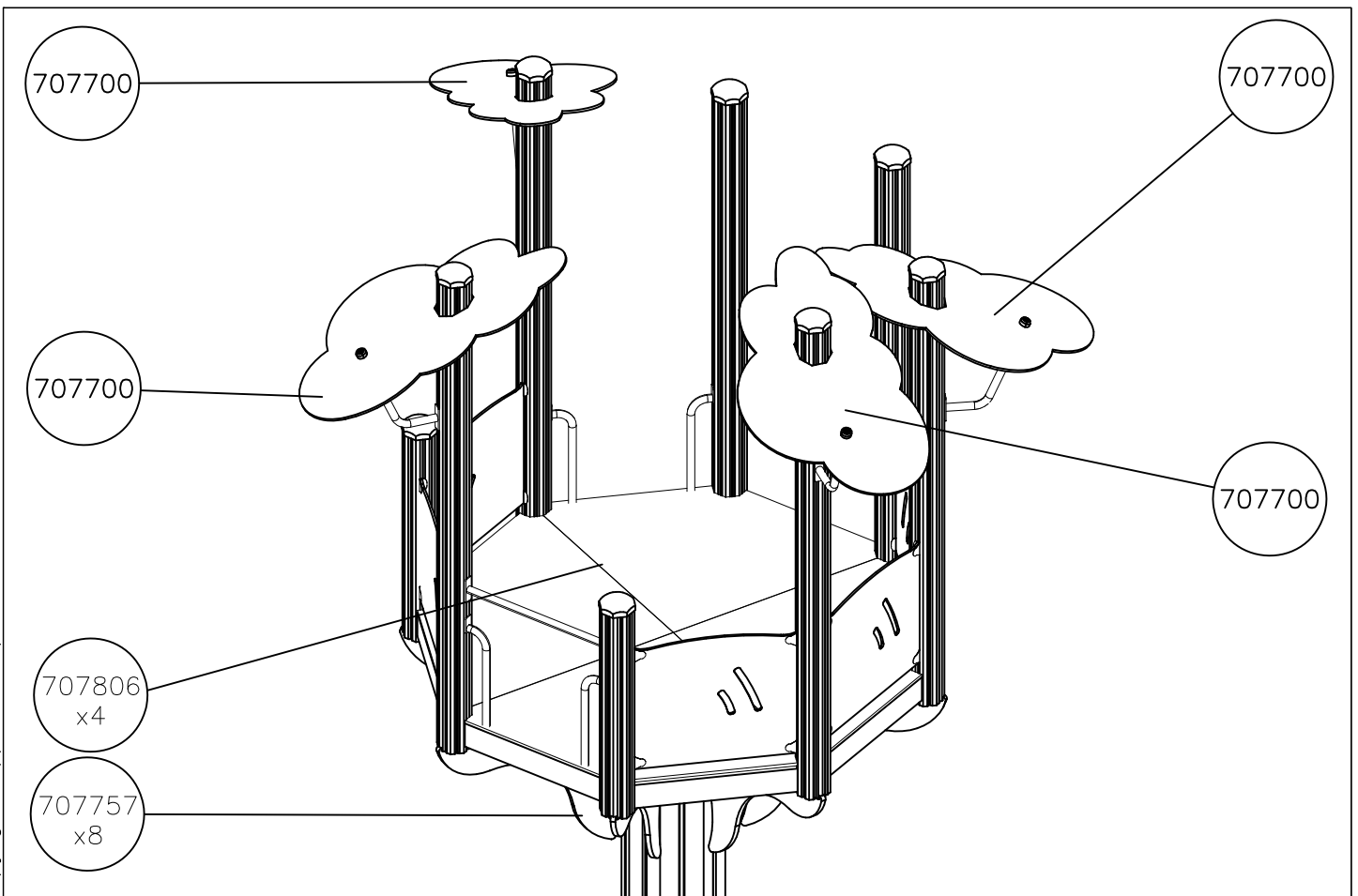
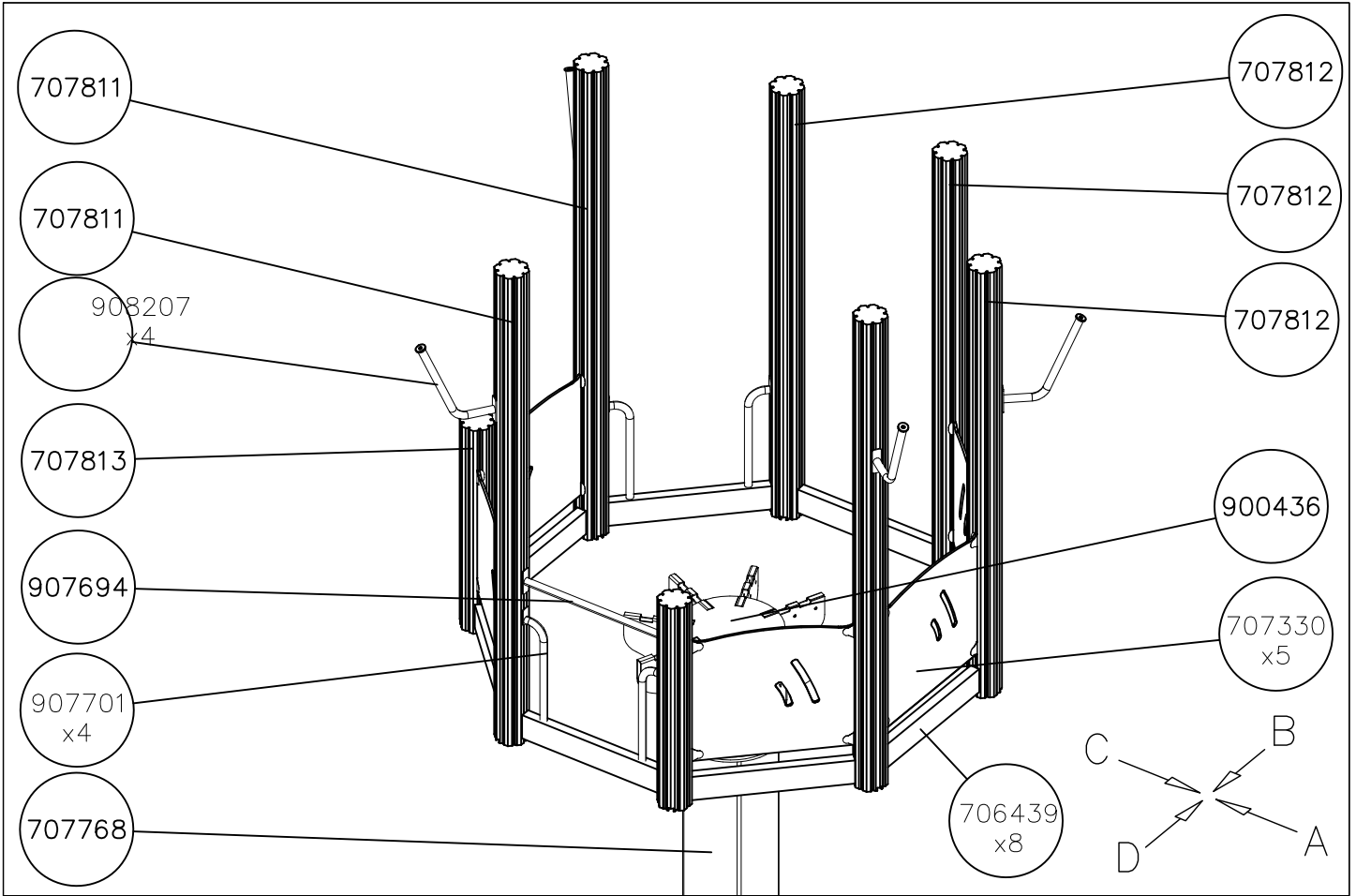
(D)



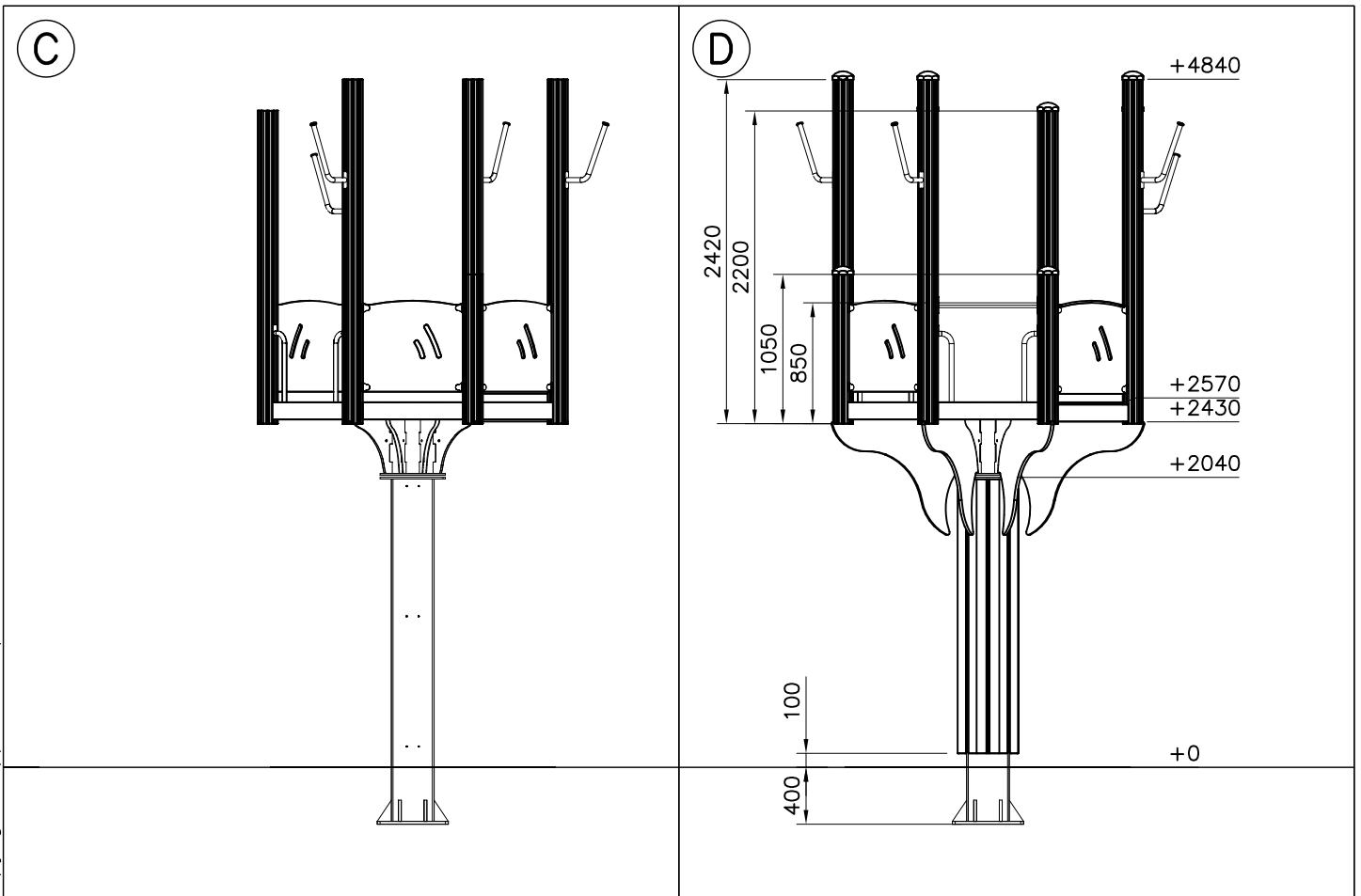
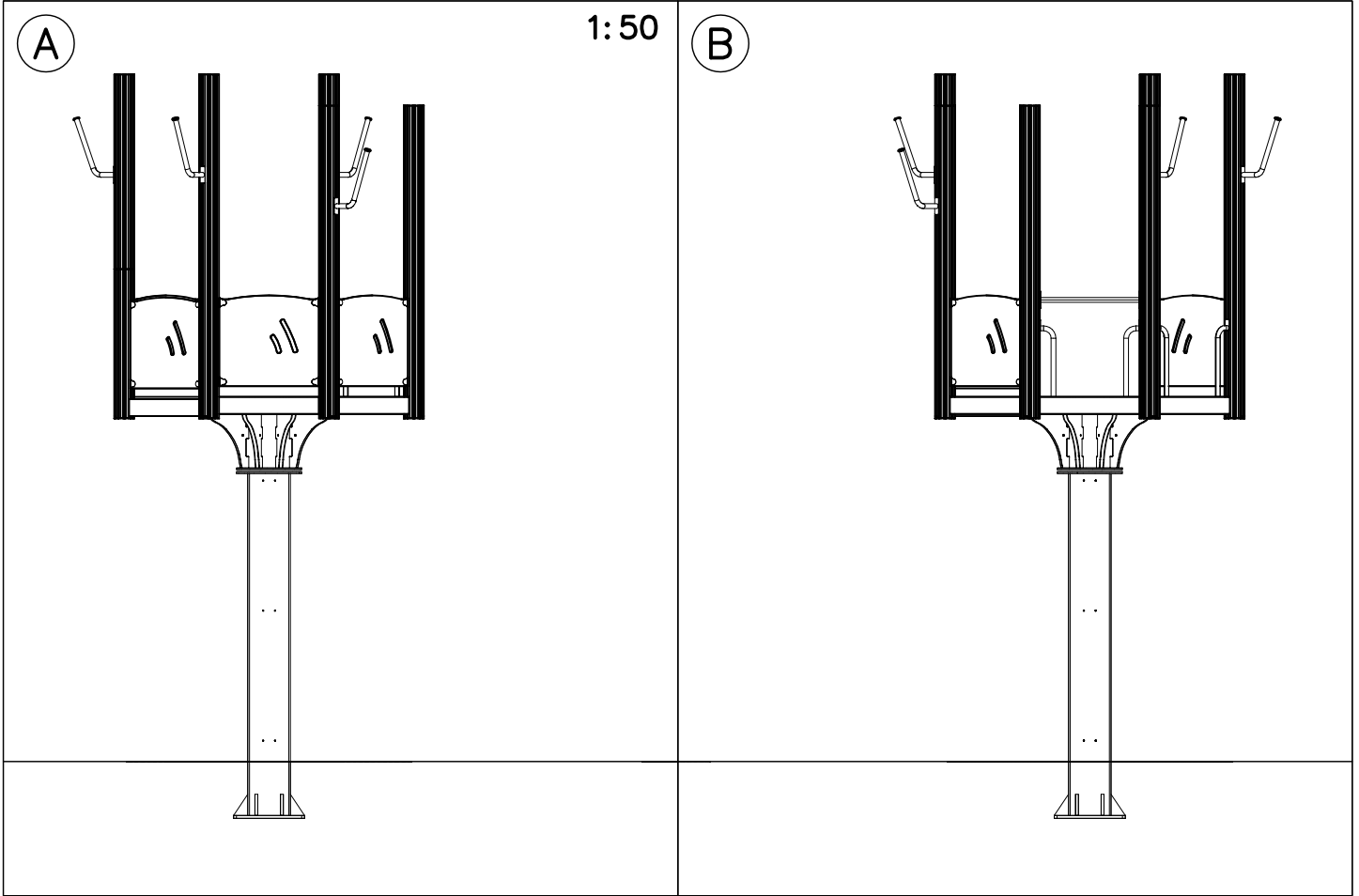
DATE: 3.10.2017

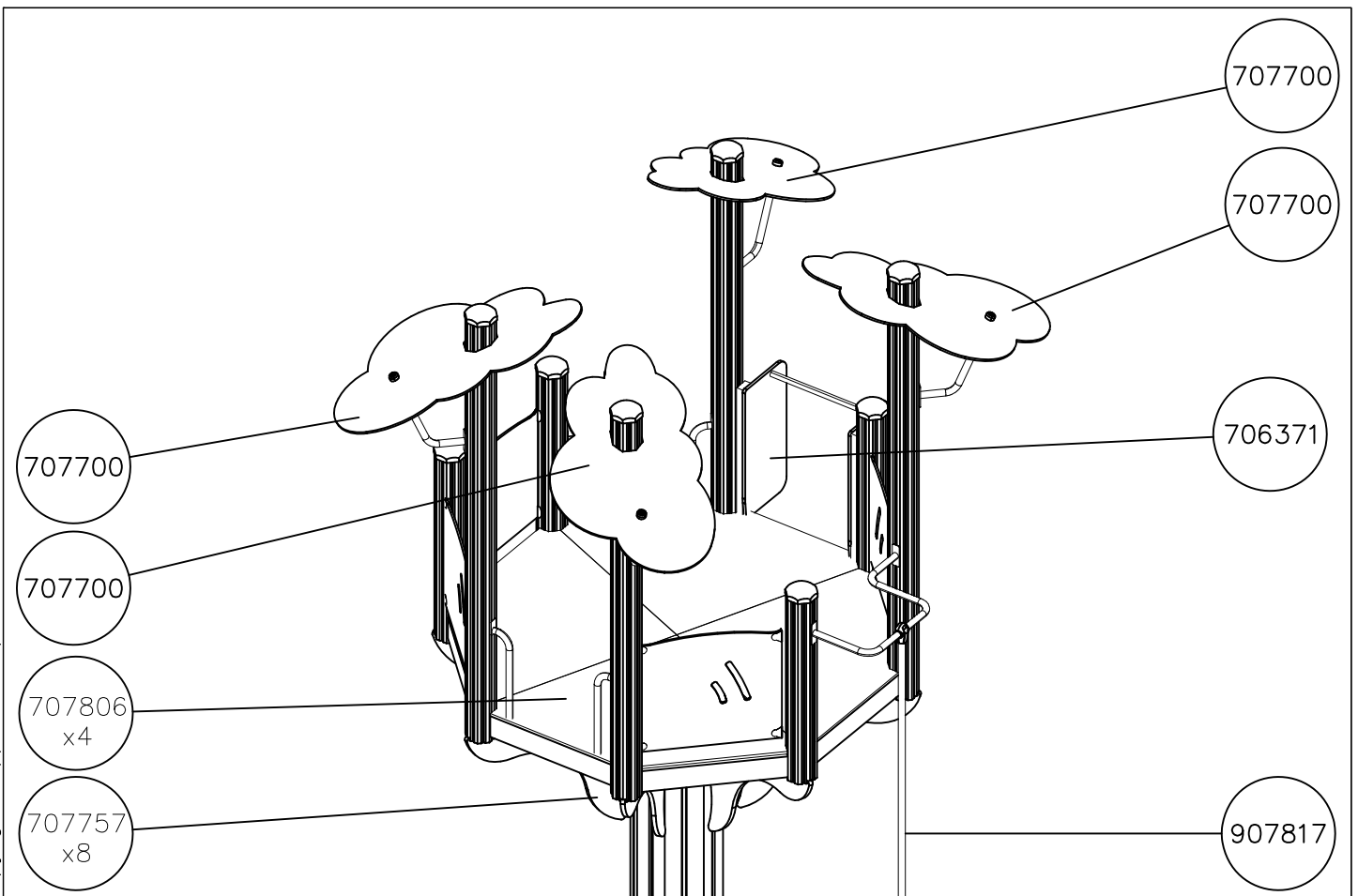
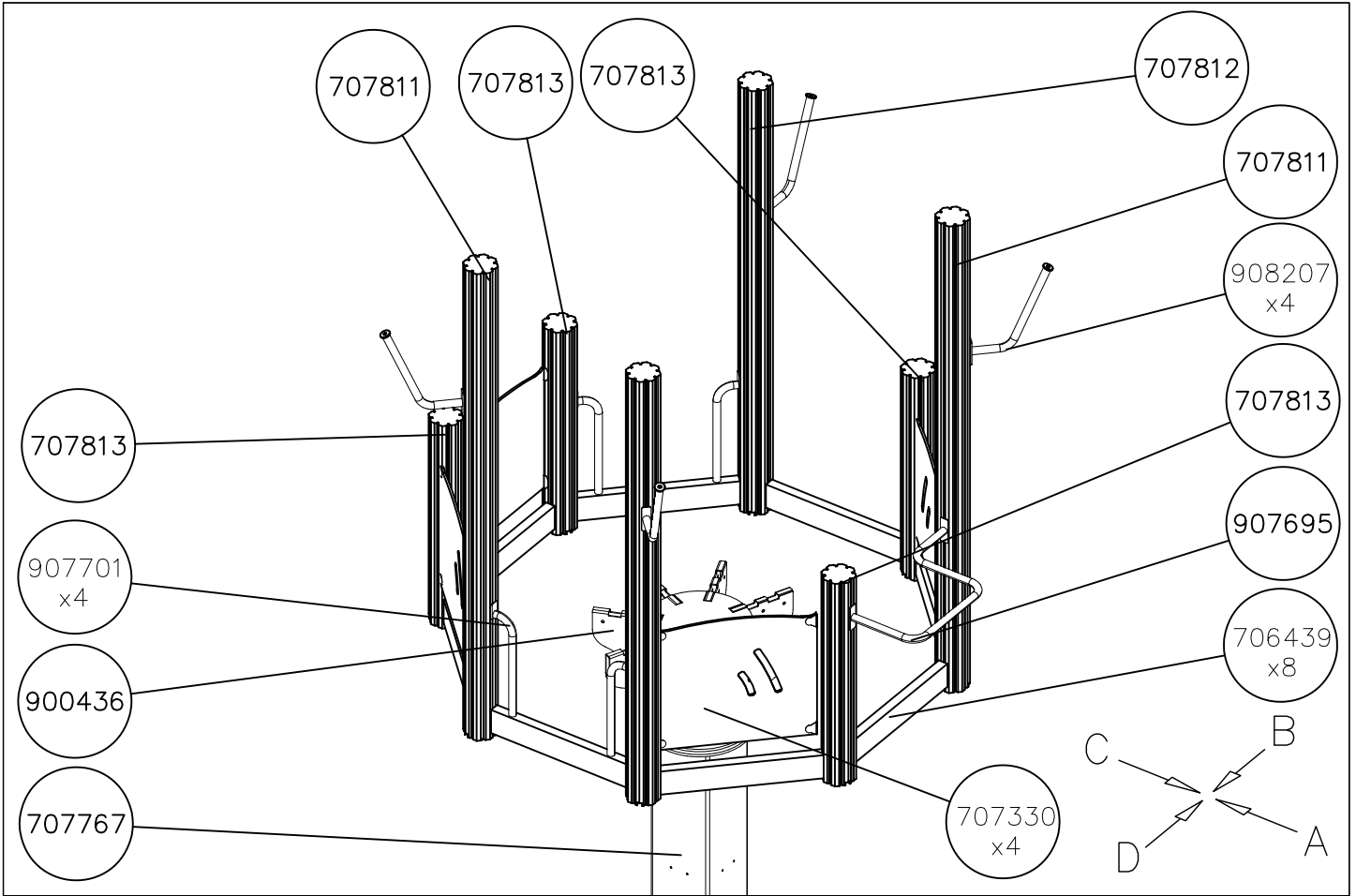






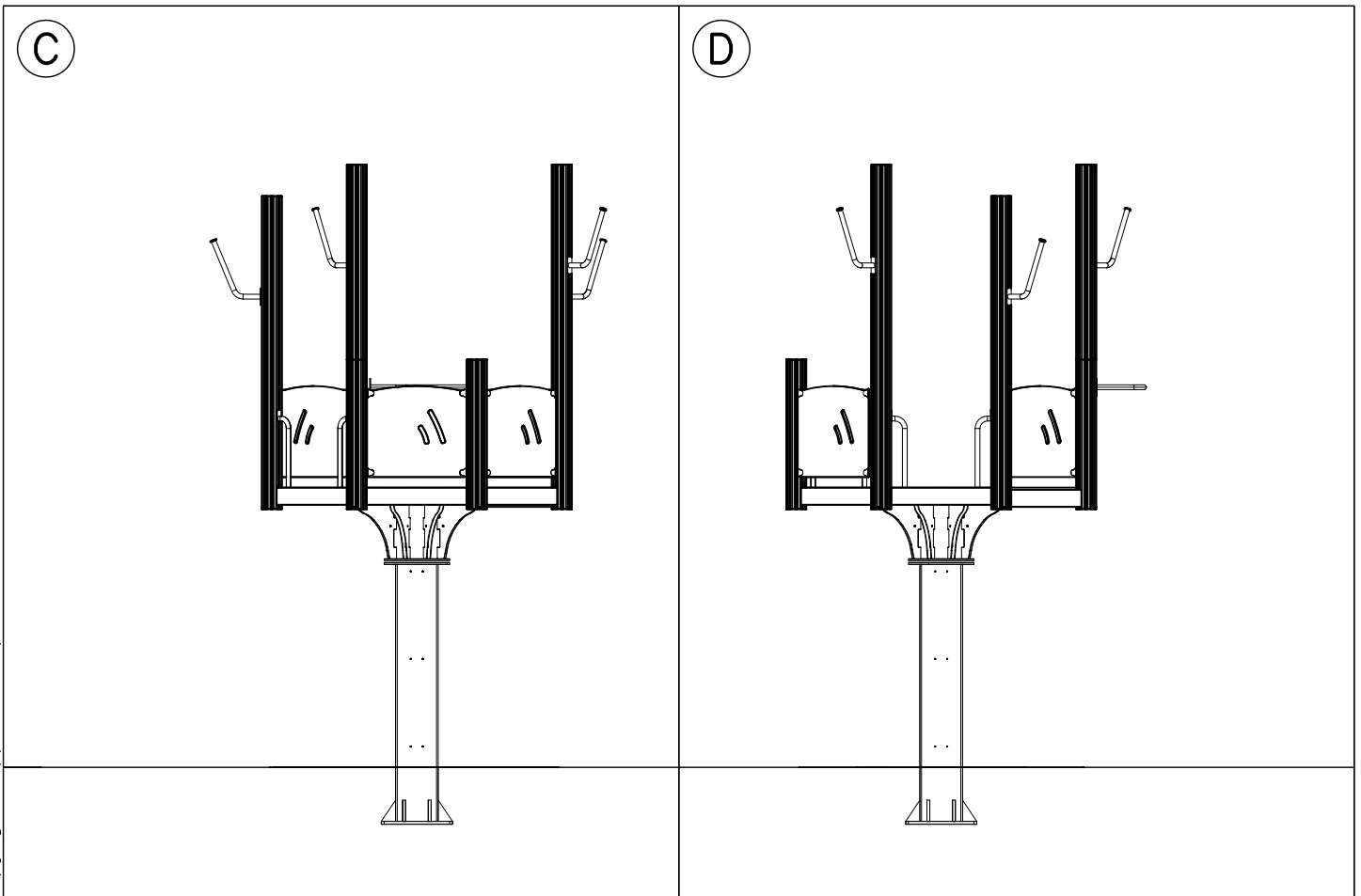
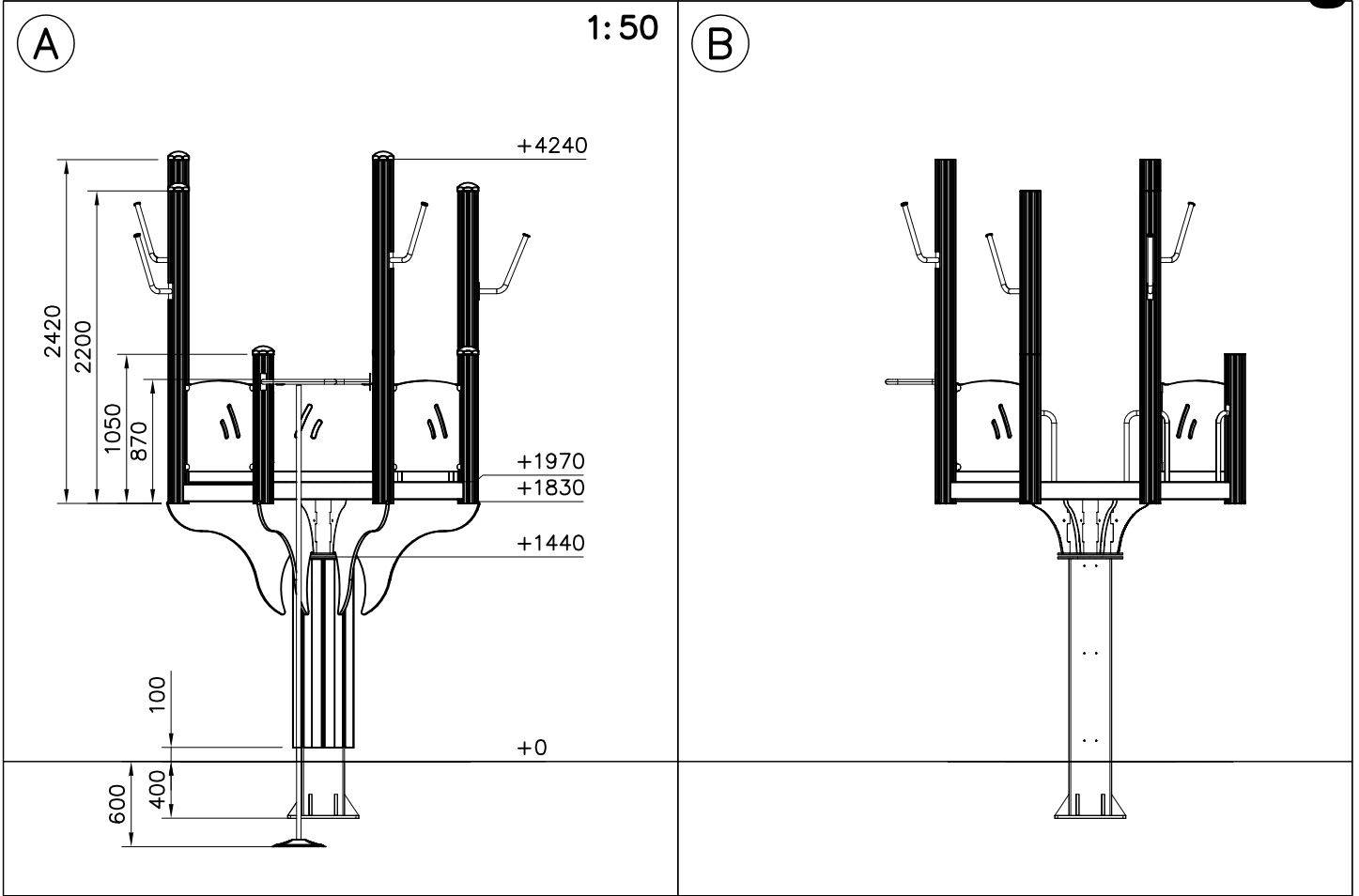
1:50

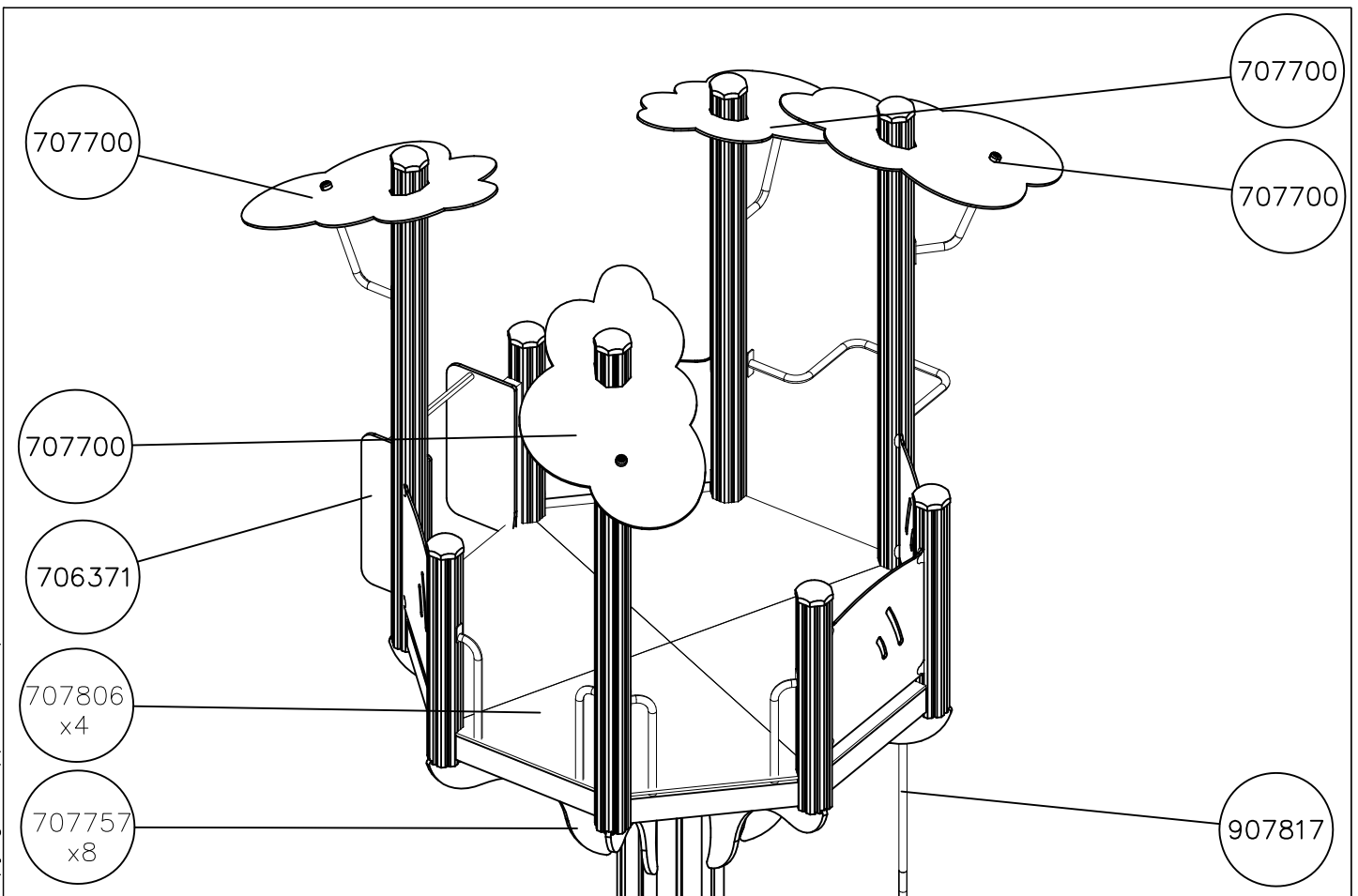
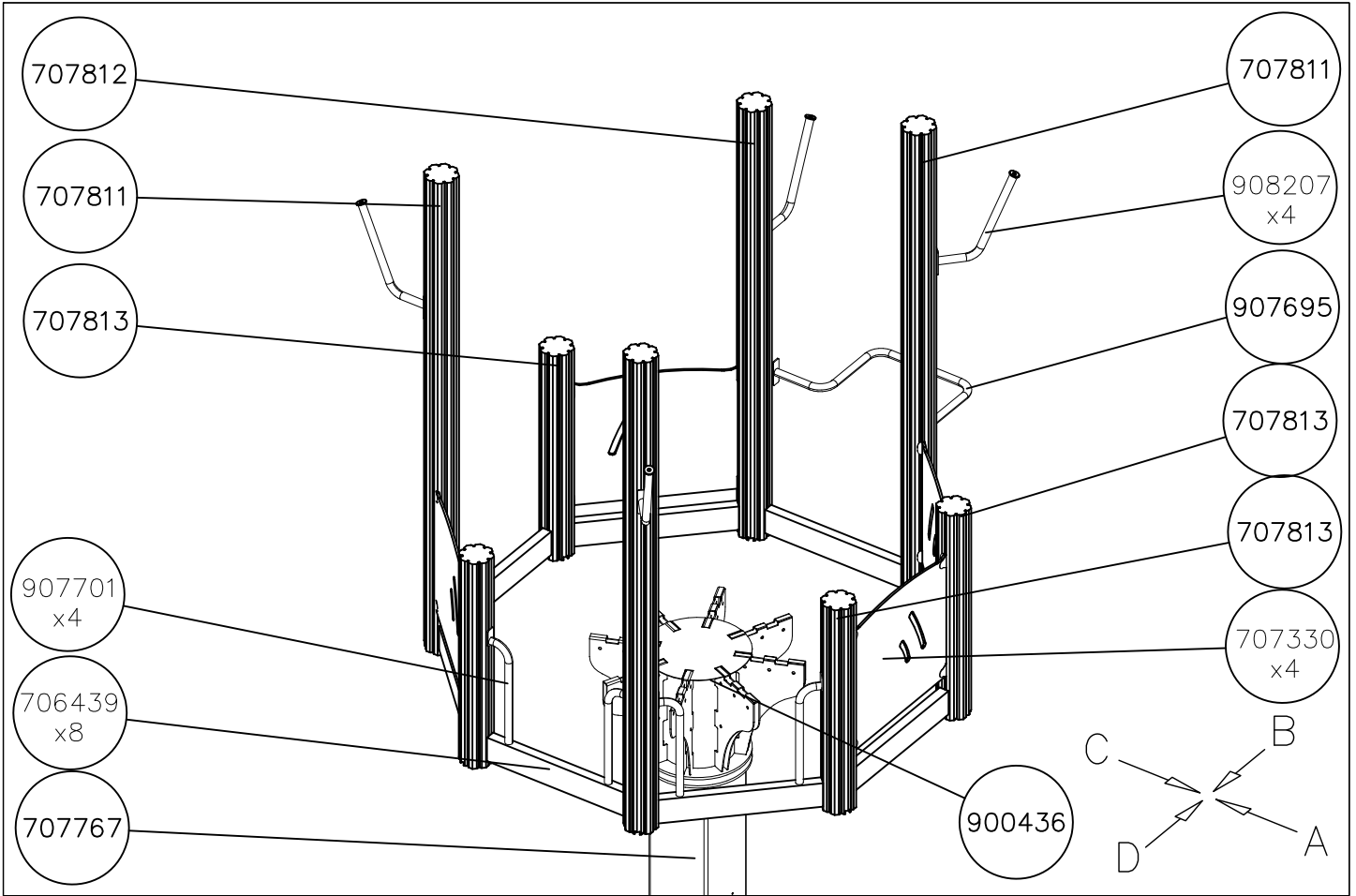




DATE: 3.10.2017

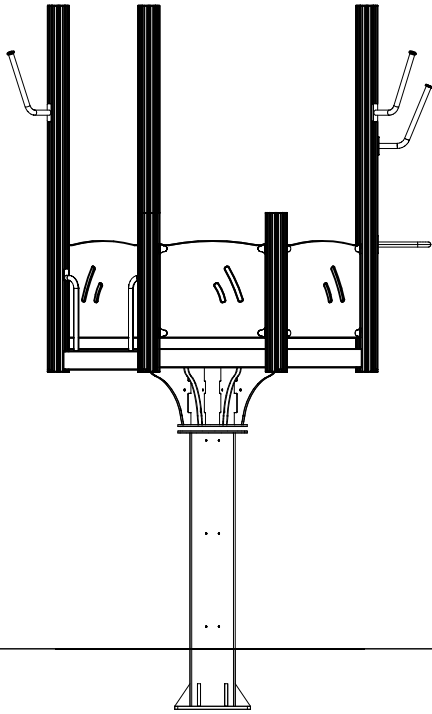
1:50



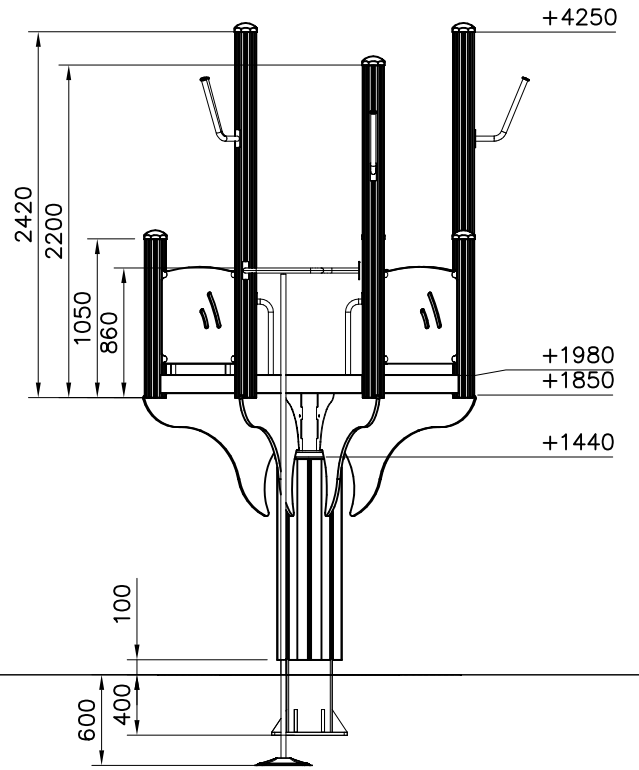


1:50

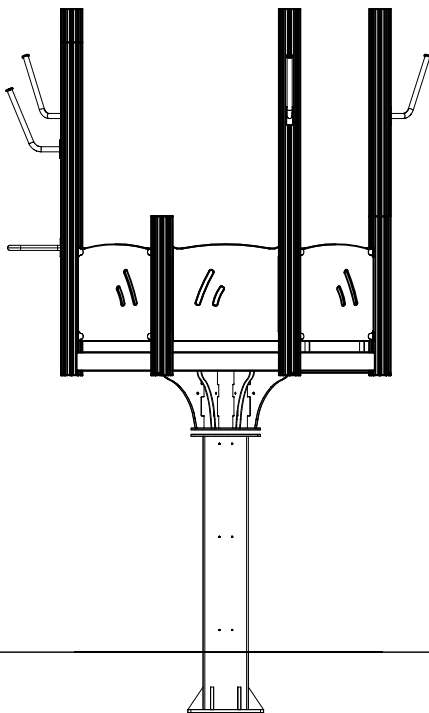
A



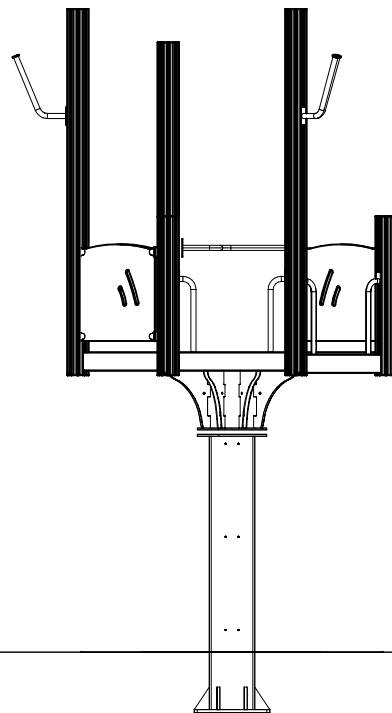
B

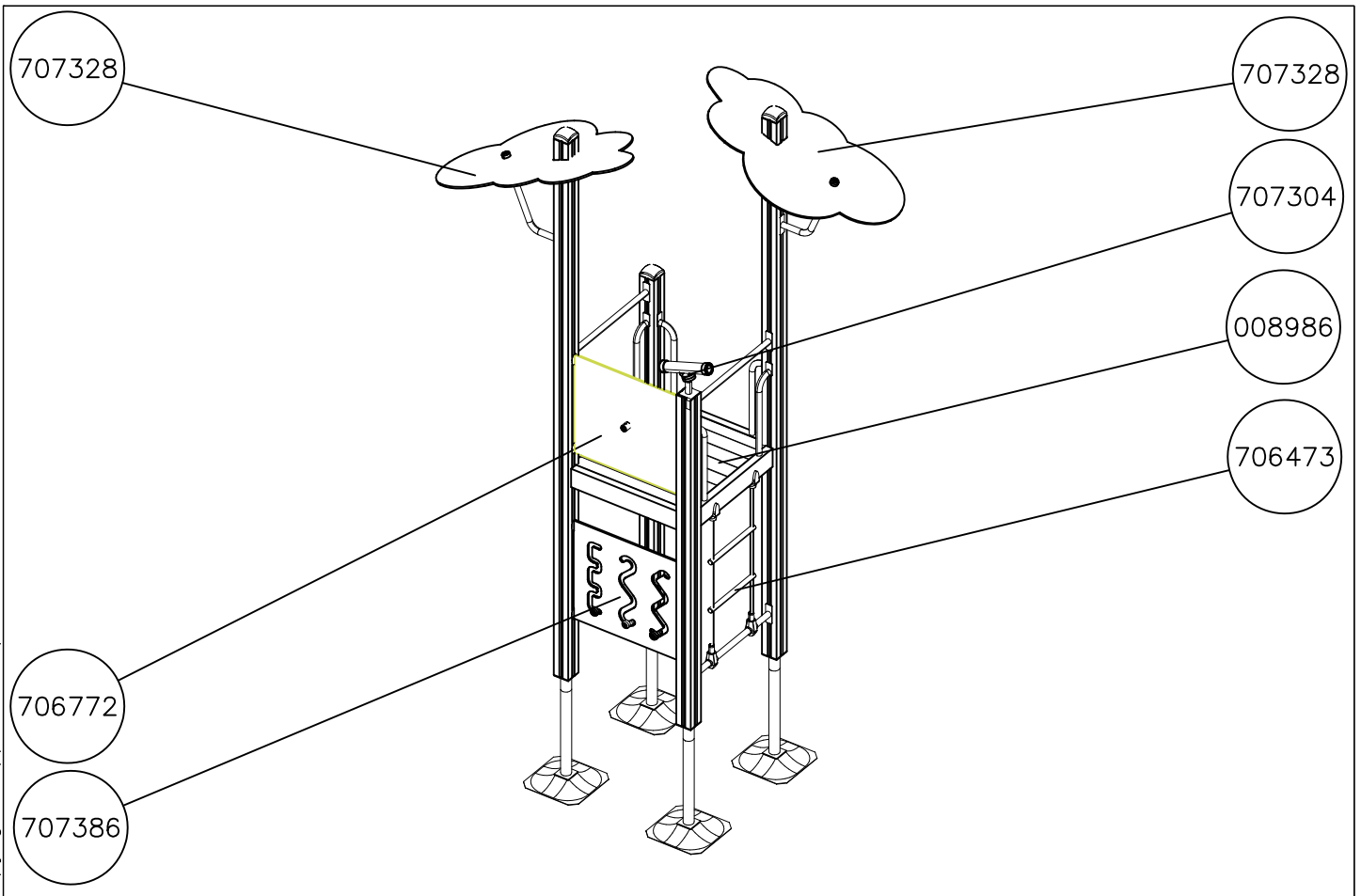
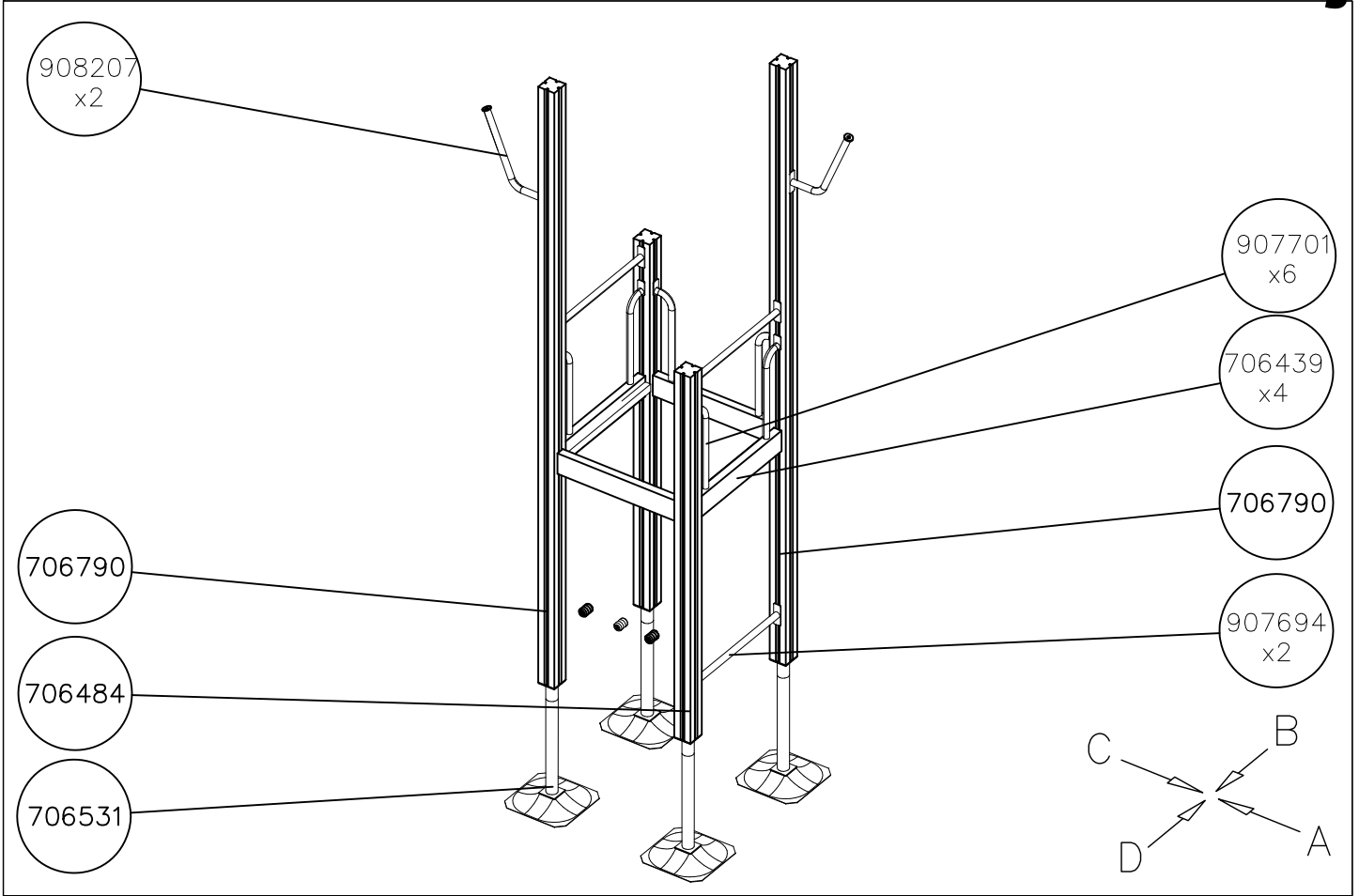


C



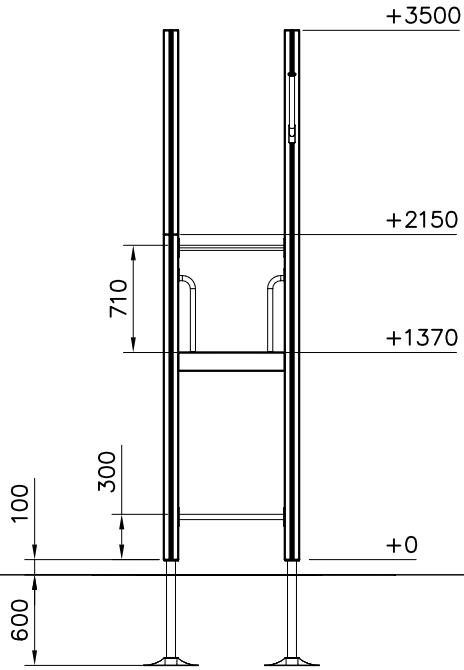
D



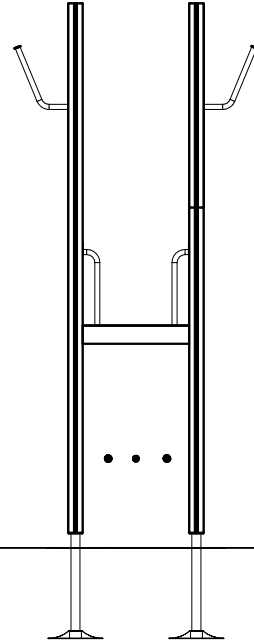


1:50

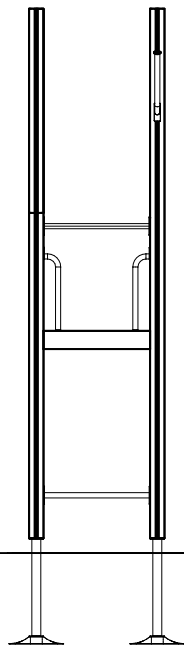
(A)



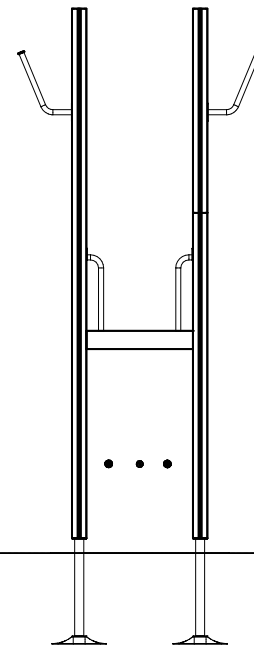
(B)

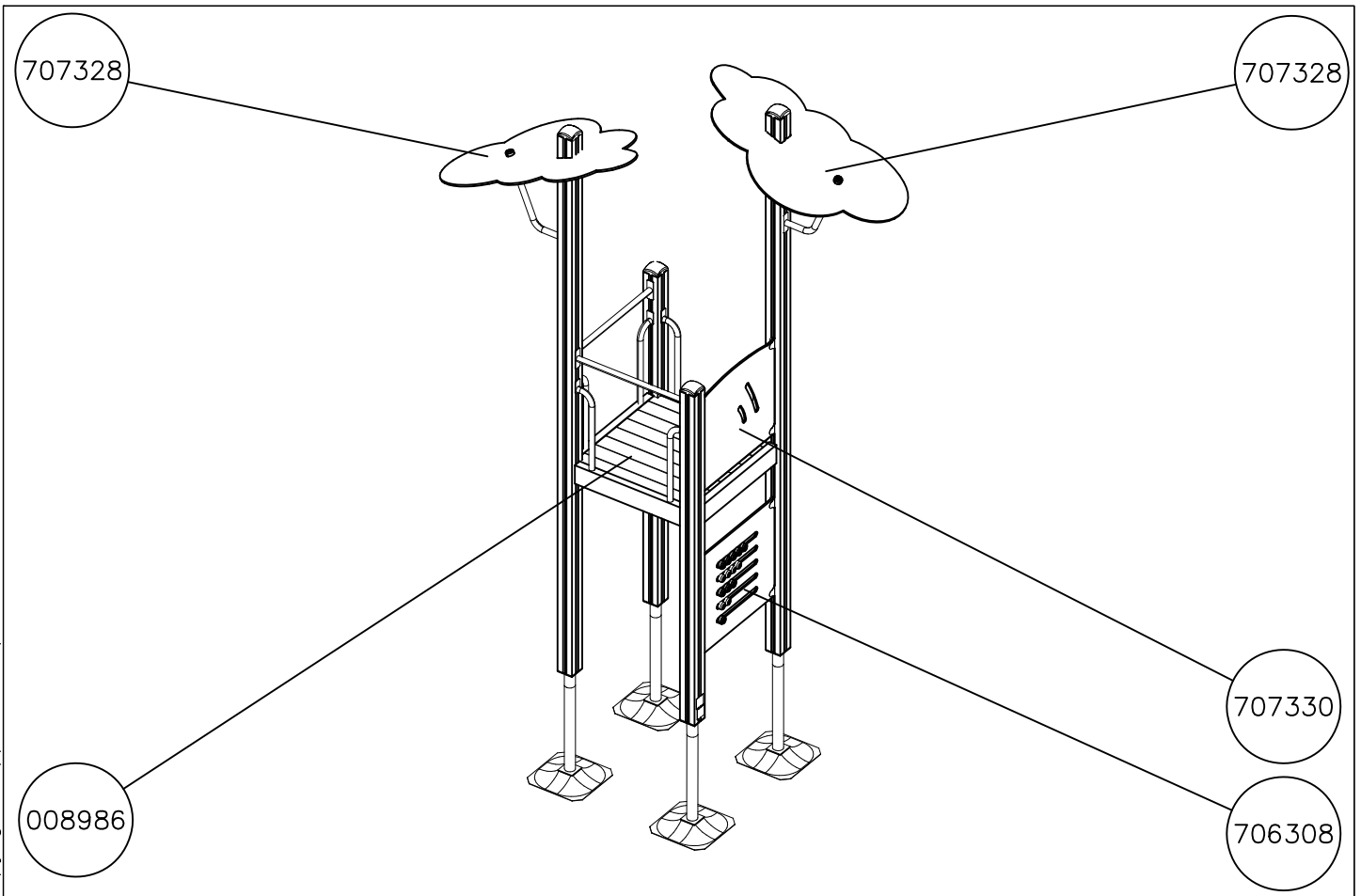
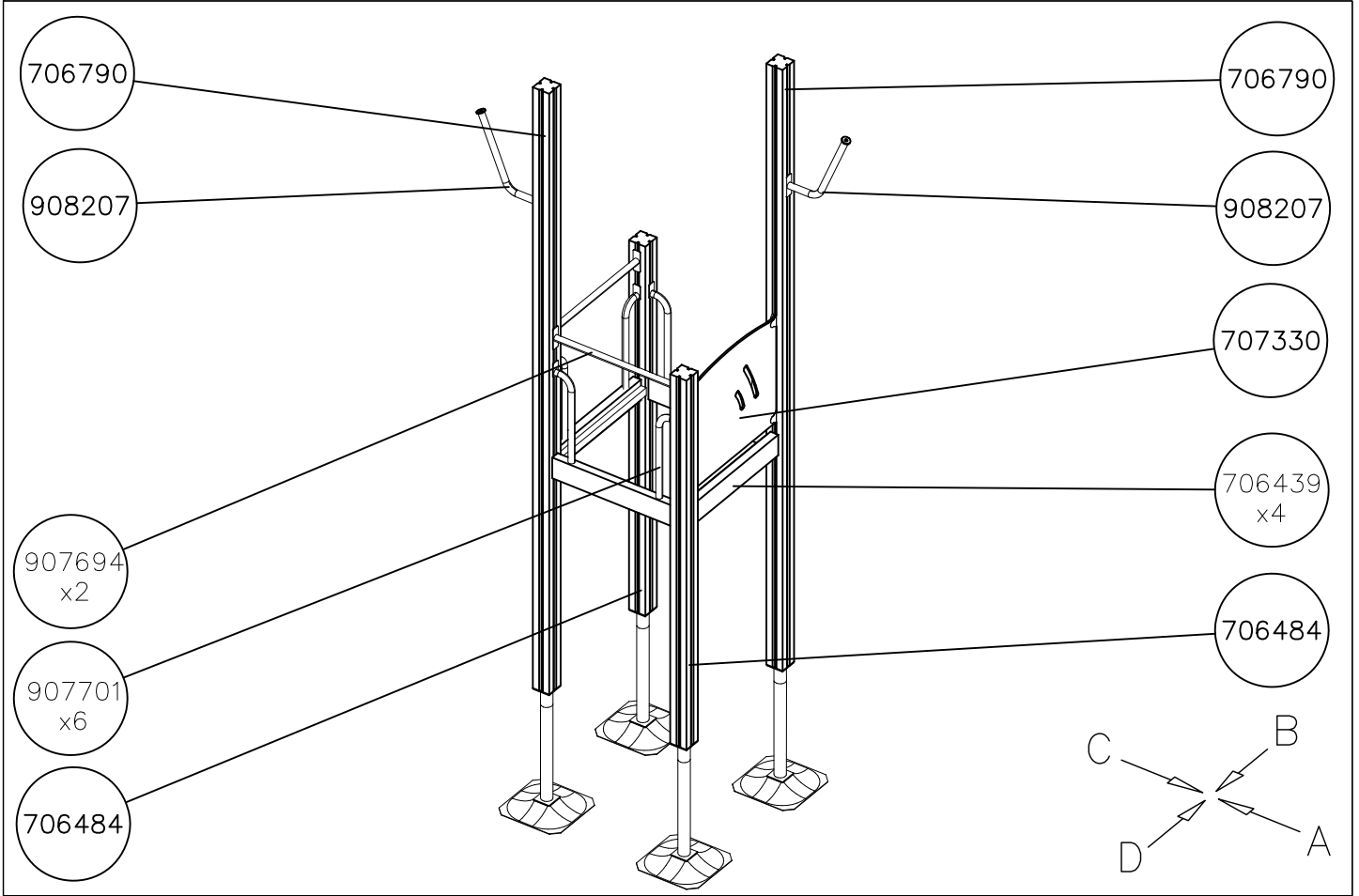


(C)



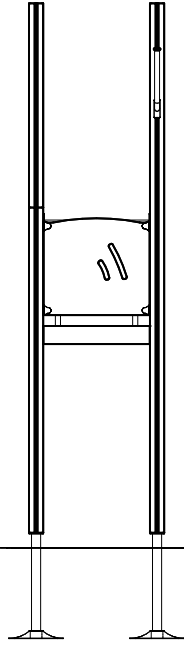
(D)



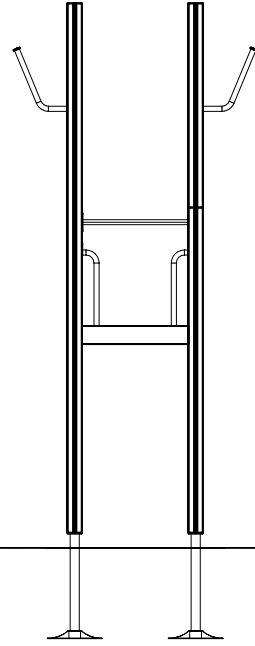


1:50

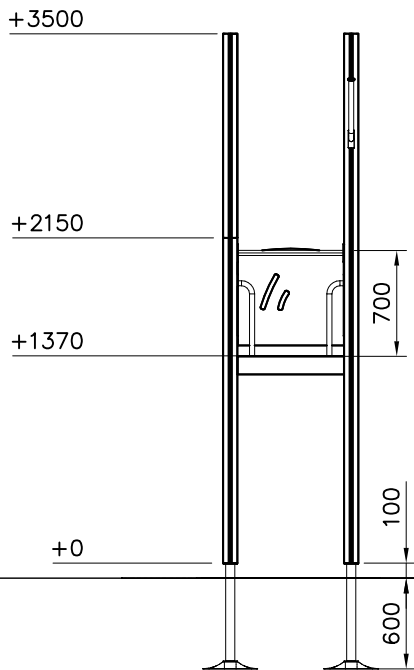
A



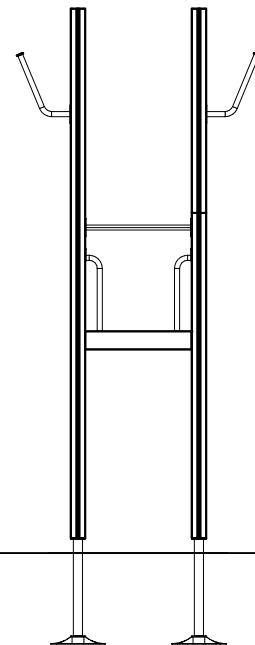
B

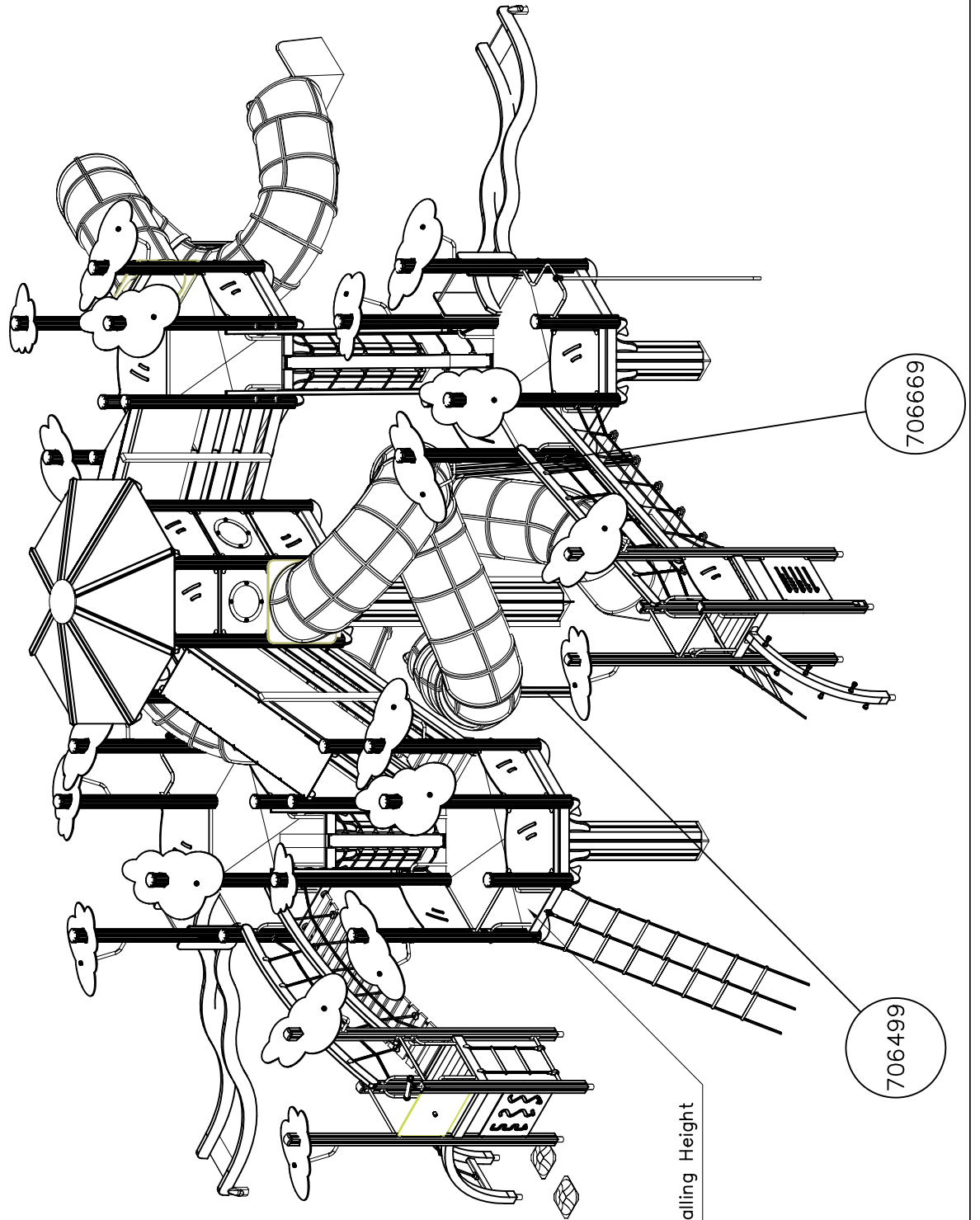


C

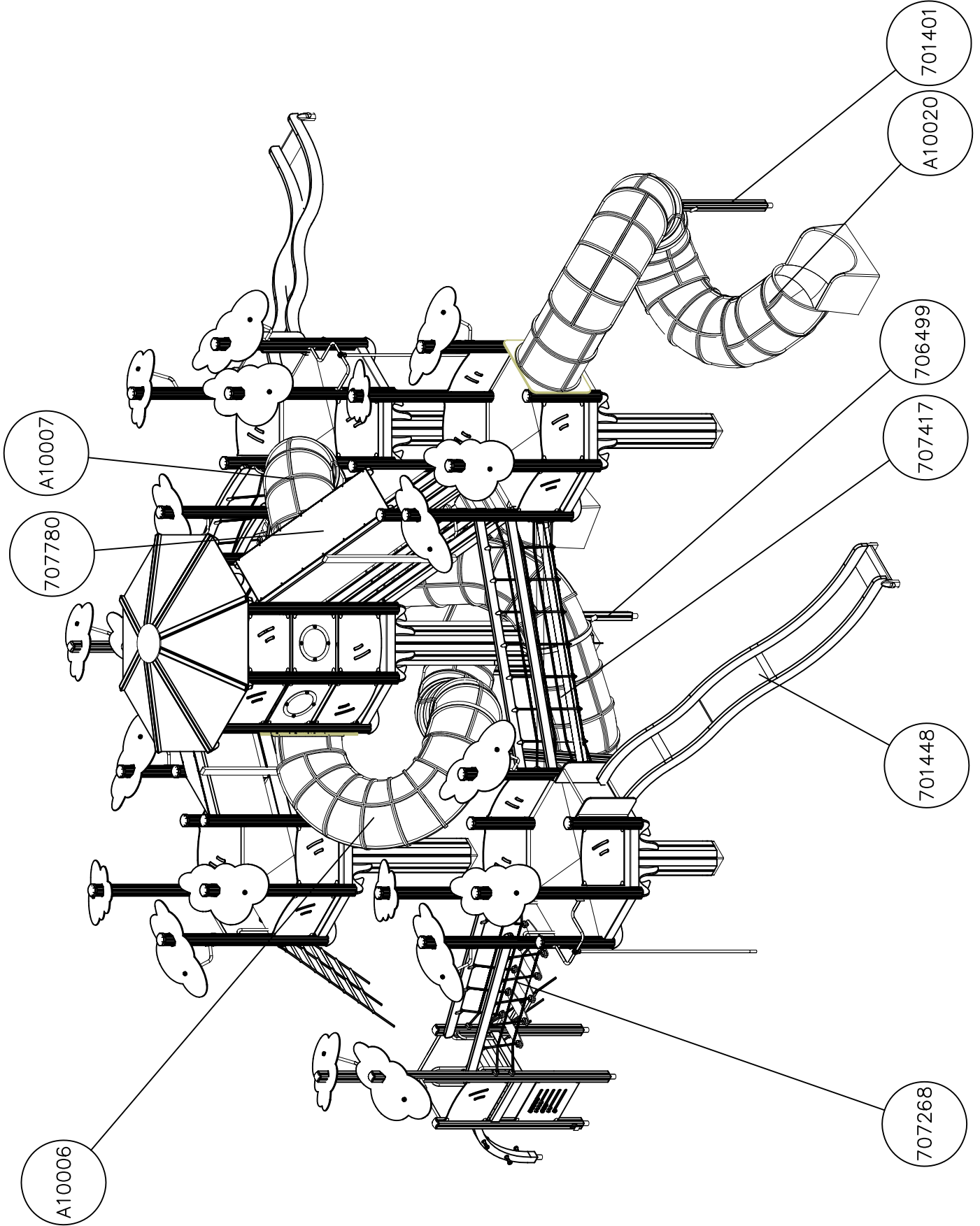


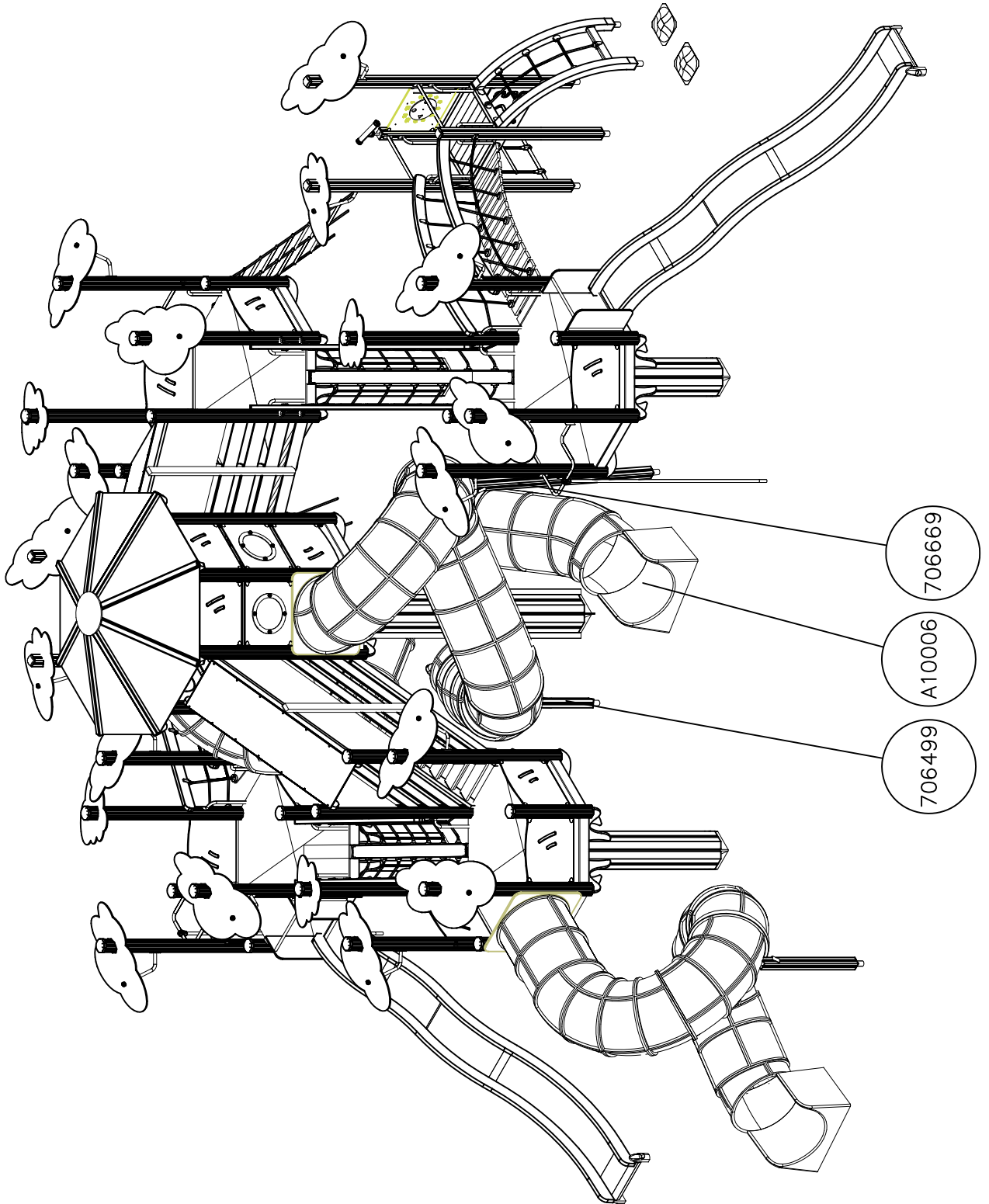
D

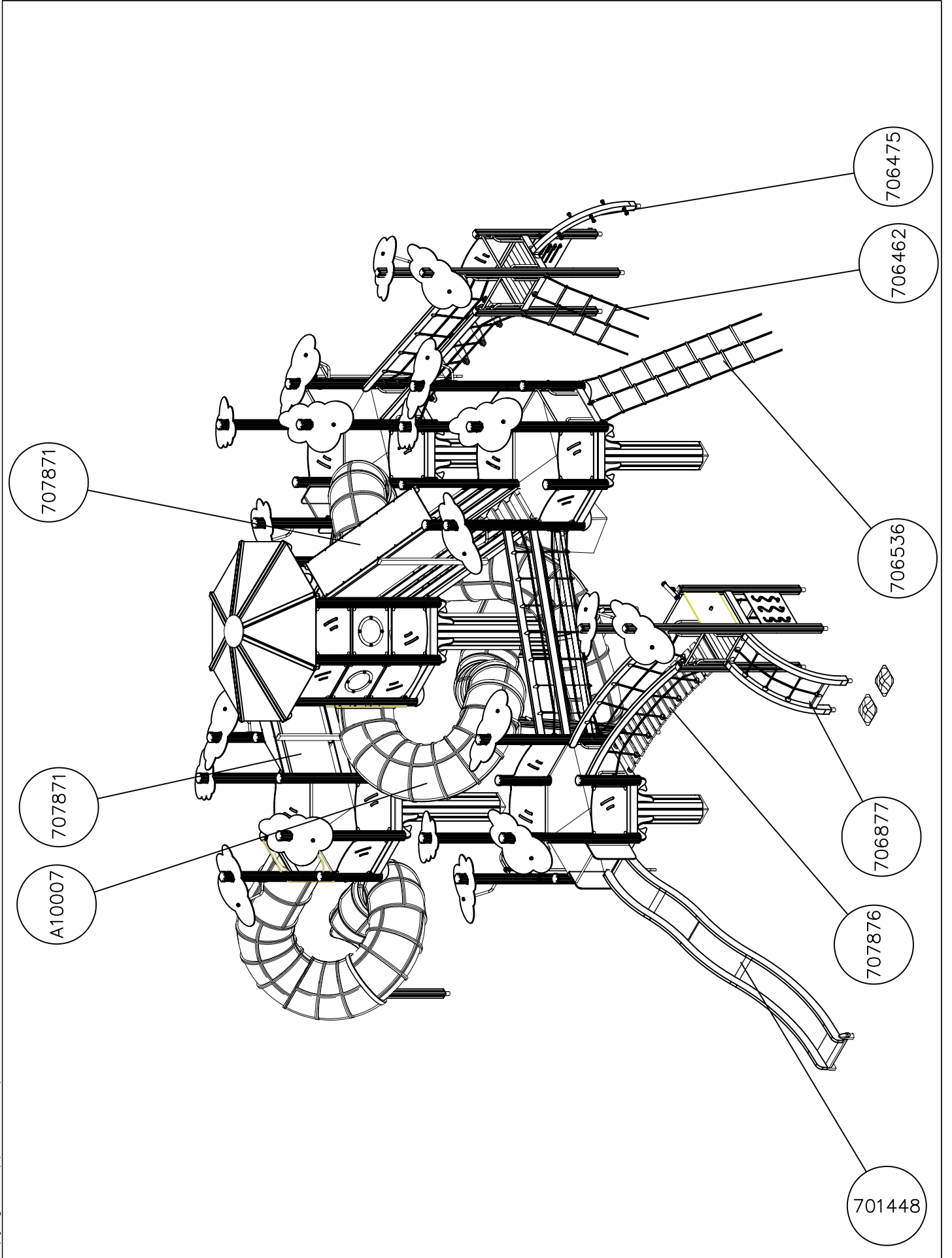


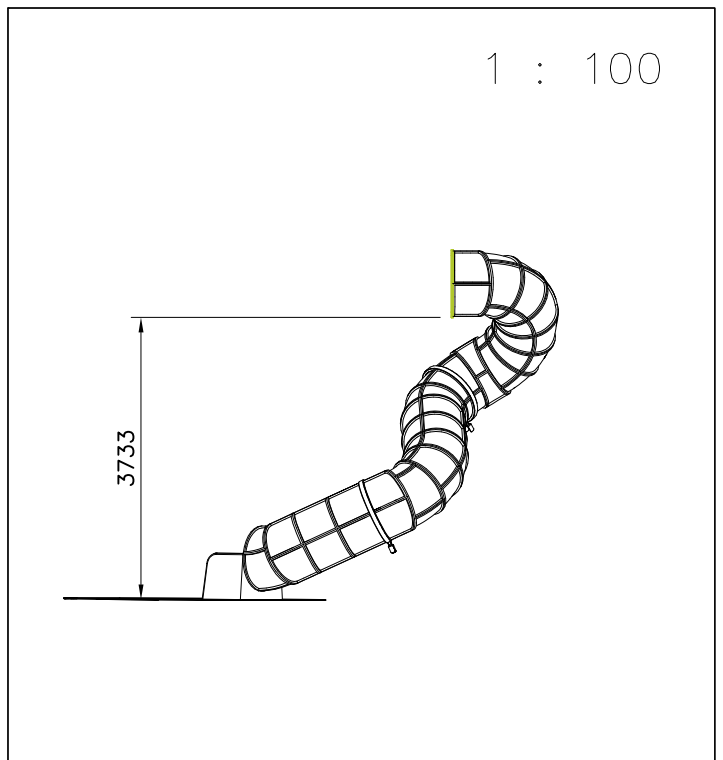
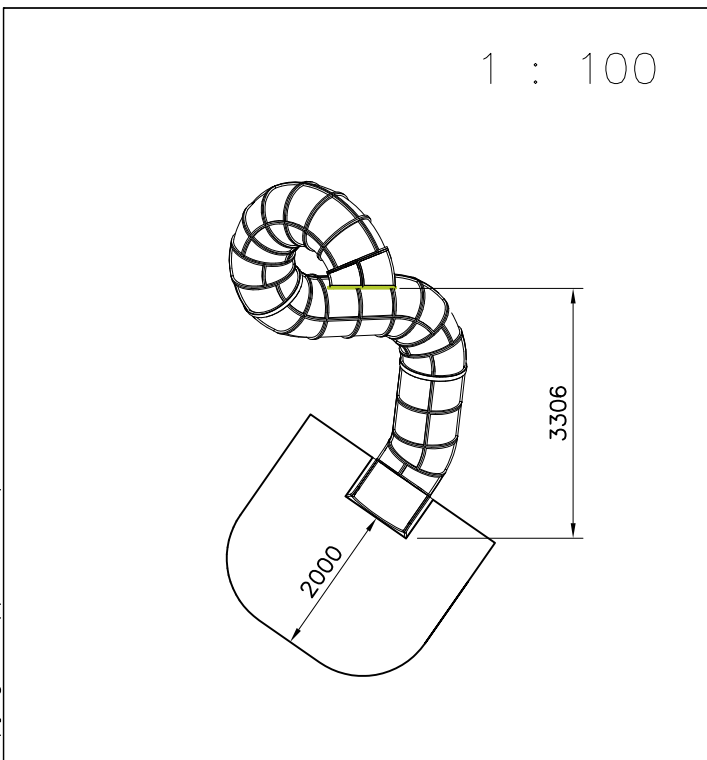
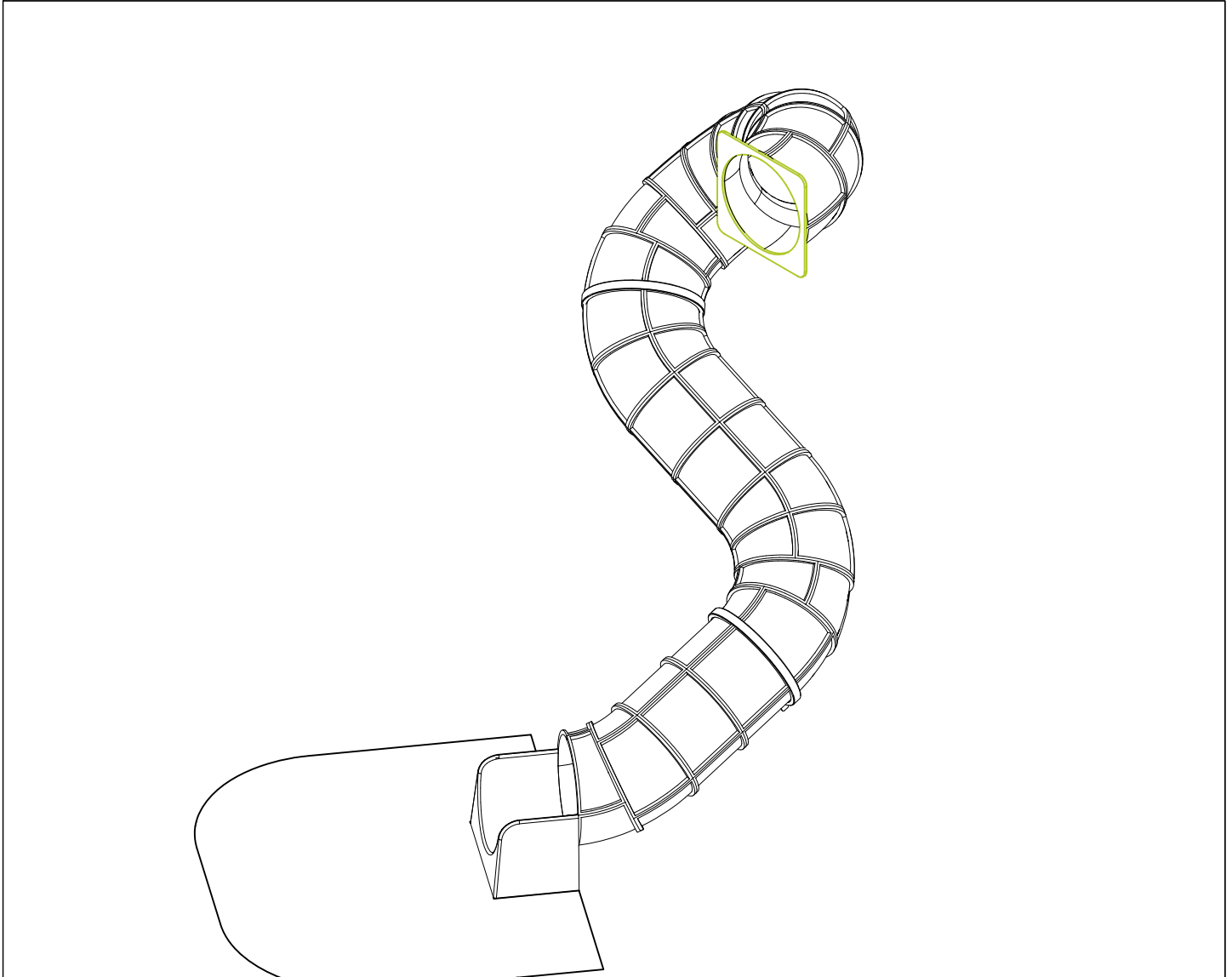


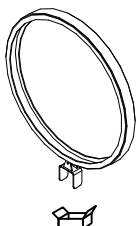
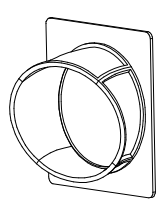
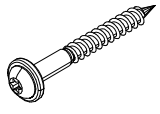
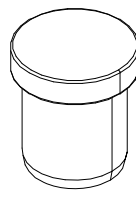

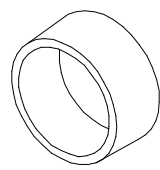
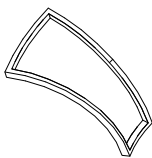
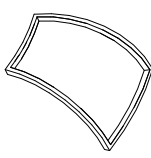
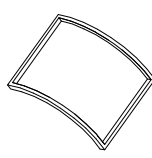
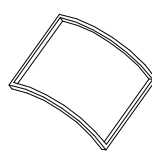

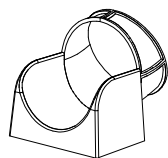

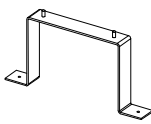



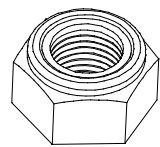
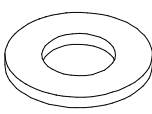
Max Falling Height

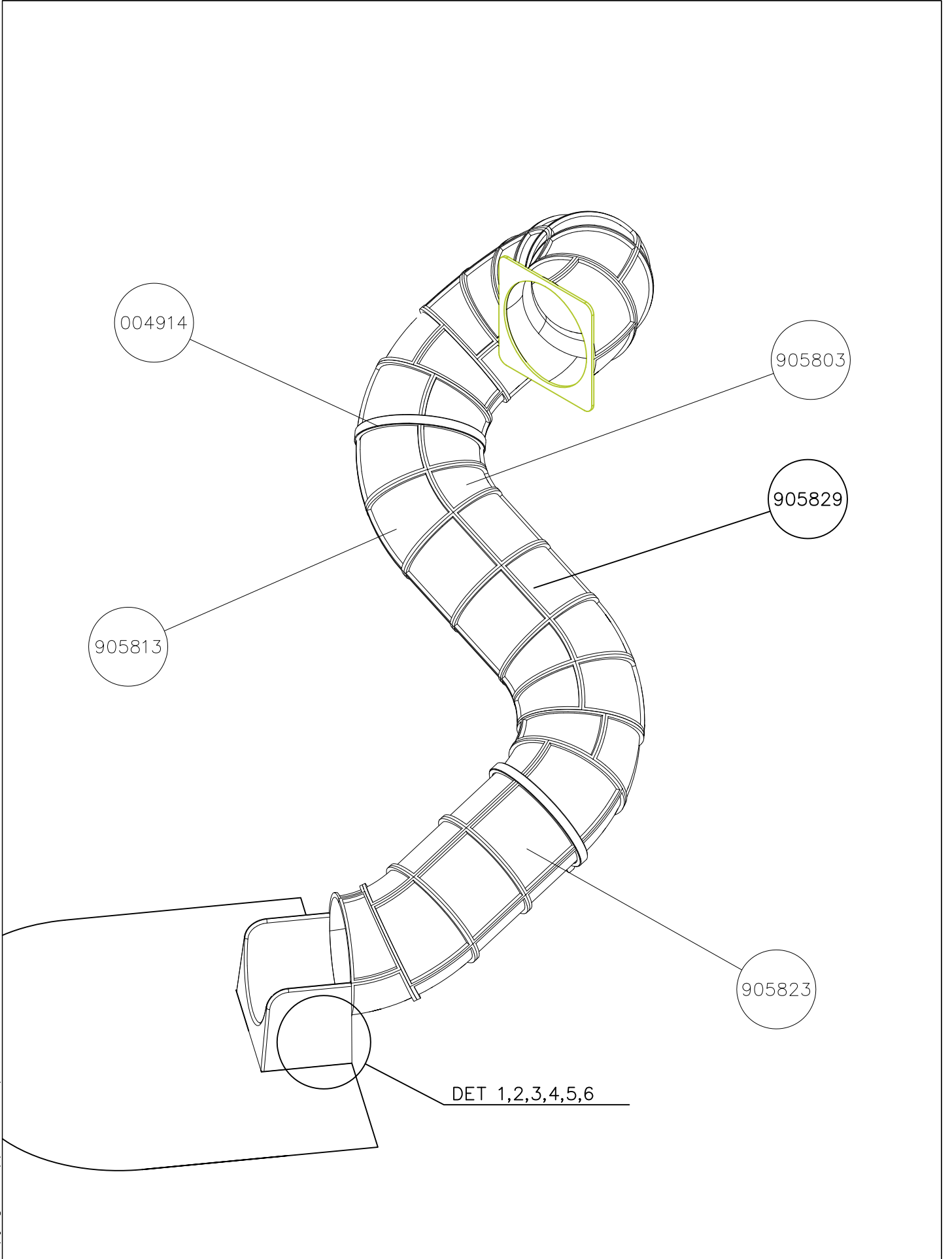


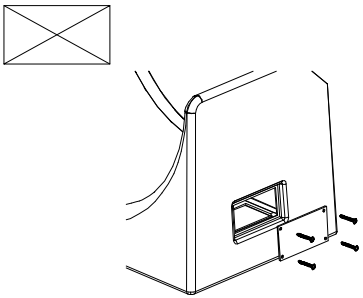
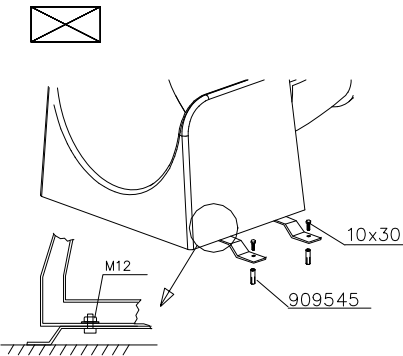
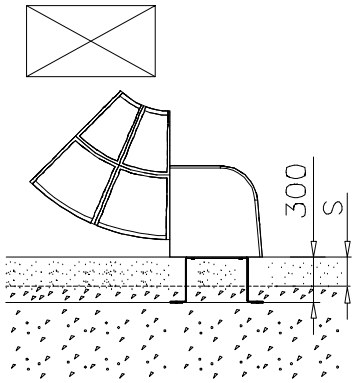
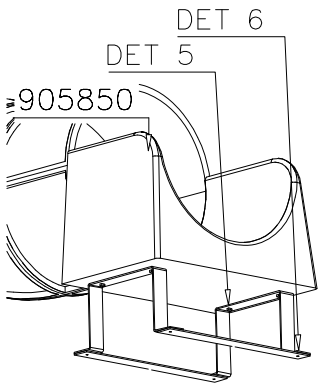
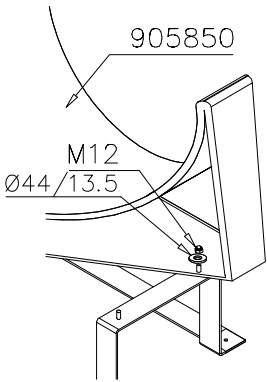
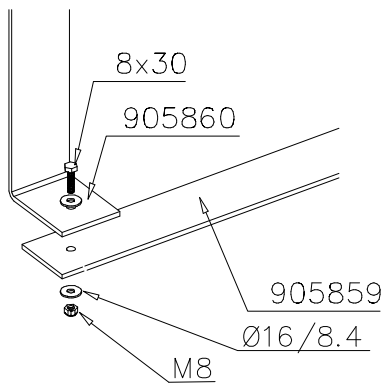


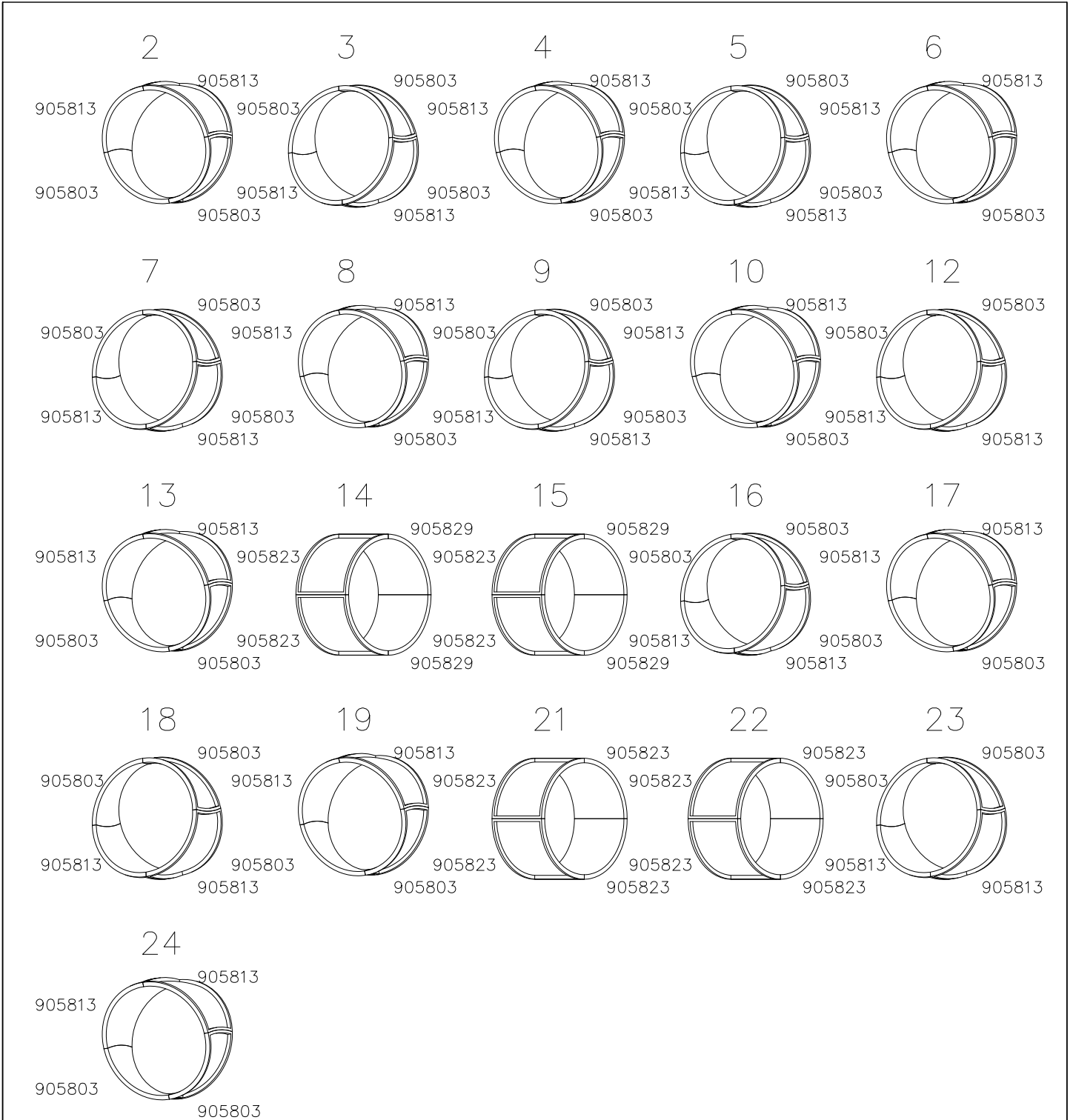




004914	PCS 2	707918-703	PCS 1	900240	PCS 14	903533	PCS 6	905086	PCS 4	905112	PCS 1040
											
				Ø8x70		SRL12		Ø44/13.5		BLACK Ø22	
905803	PCS 30	905813	PCS 30	905823	PCS 12	905829	PCS 4	905831	PCS 976	905850	PCS 1
											
YELLOW		YELLOW		YELLOW		TRANSPARENT		BLACK			
905859	PCS 2	905860	PCS 2	909205	PCS 488	909248	PCS 4	909274	PCS 4	980150	PCS 492
											
6x80x850				8x60		M12		8x30		M8	
980151	PCS 8		PCS		PCS		PCS		PCS		PCS
											
Ø16/8.4											
	PCS		PCS		PCS		PCS		PCS		PCS
	PCS		PCS		PCS		PCS		PCS		PCS



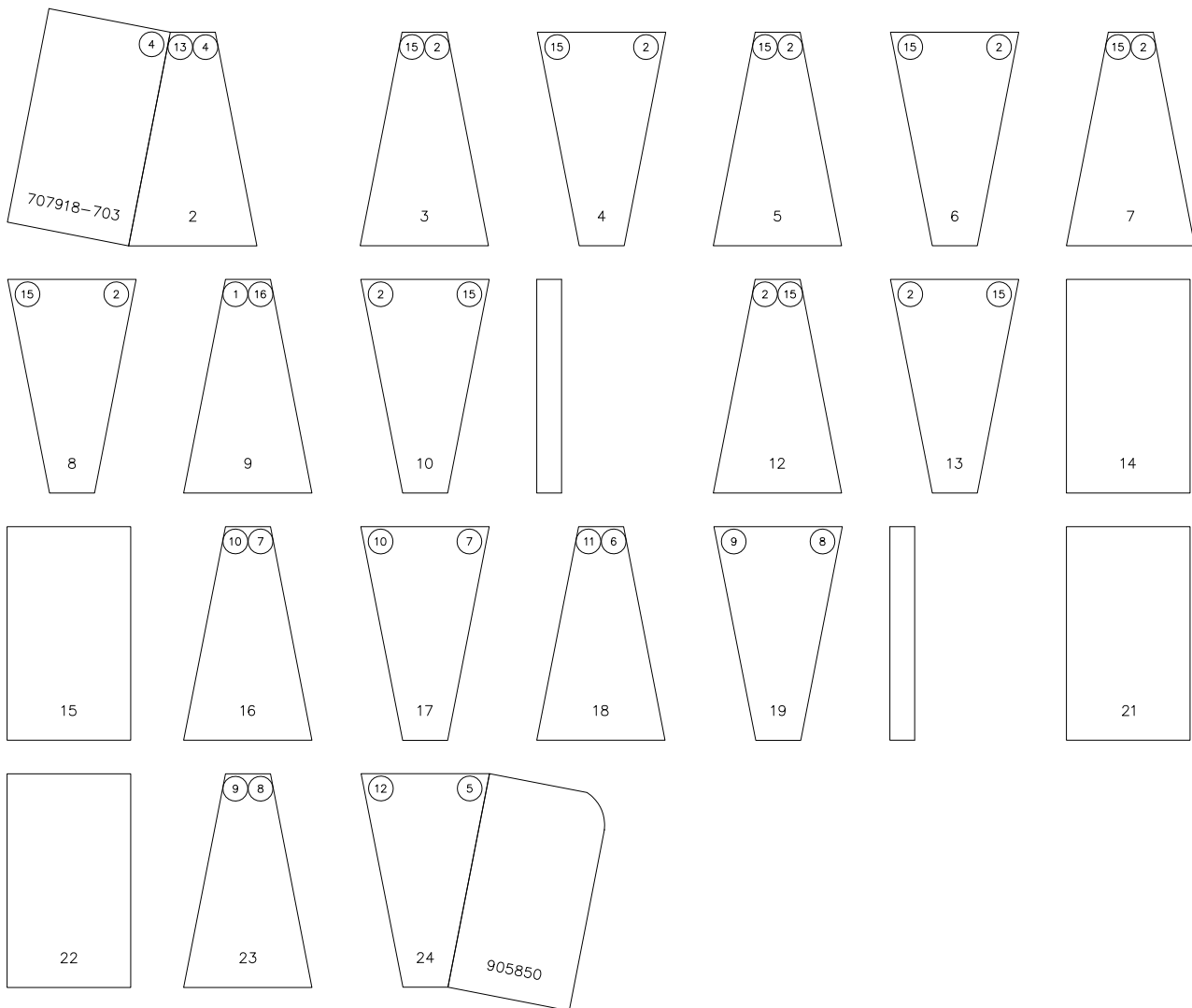
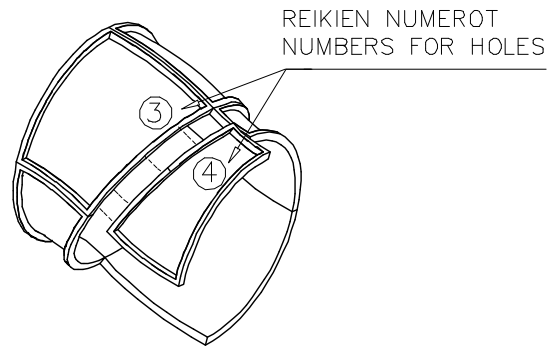
<p>DET 1</p>  <p>Access- and maintenance panel. Asennus- ja huolto luukku.</p>	<p>DET 2</p>  <p>10x30 909545</p>	<p>DET 3</p>  <p>300 S</p>
<p>DET 4</p>  <p>DET 6 DET 5 905850</p>	<p>DET 5</p>  <p>905850 M12 Ø44/13.5</p>	<p>DET 6</p>  <p>8x30 905860 905859 Ø16/8.4 M8</p>



Esimerkki putken kokoamisesta
Example of installation

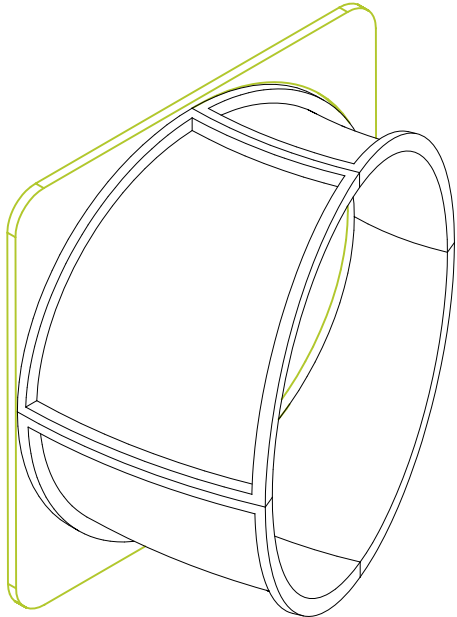
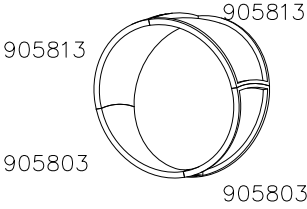
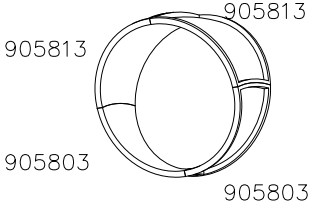



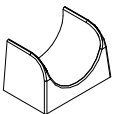





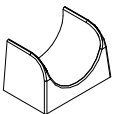








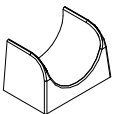







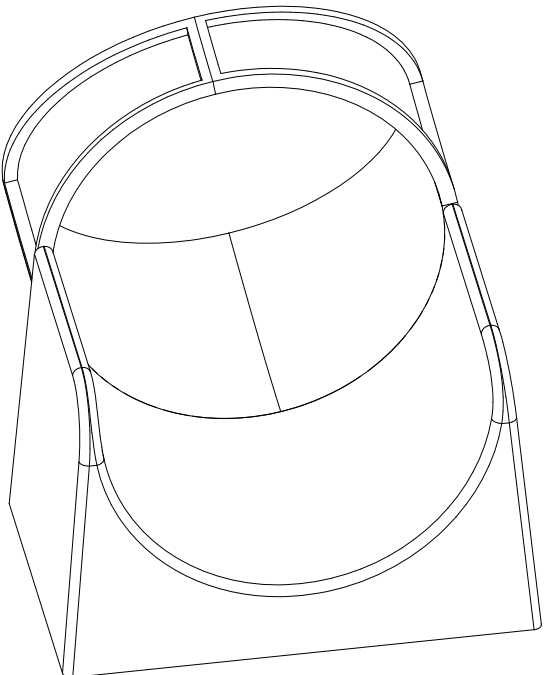
LIUKUPINTAAN EI SAA TULLA
LÄPINÄKYVIÄ MODUULEJA!!

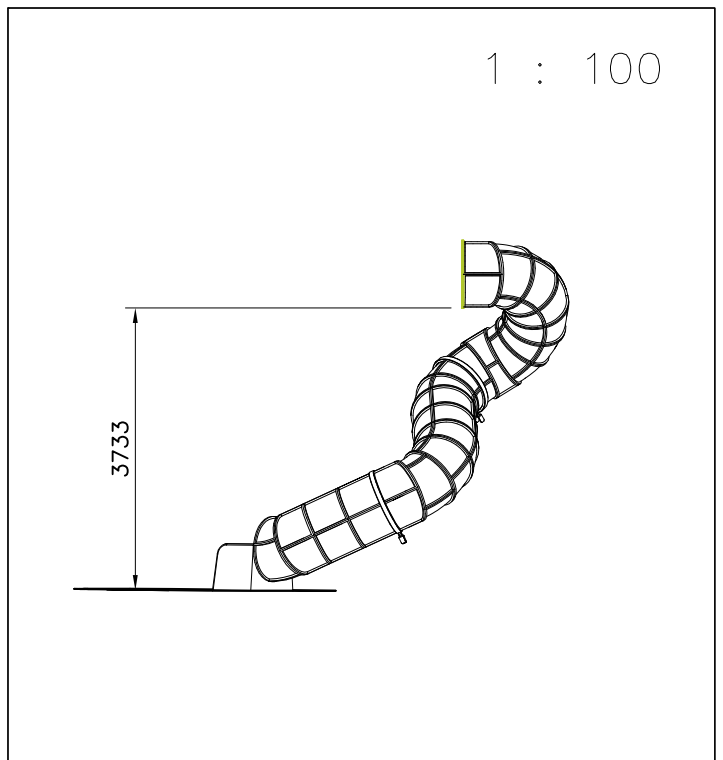
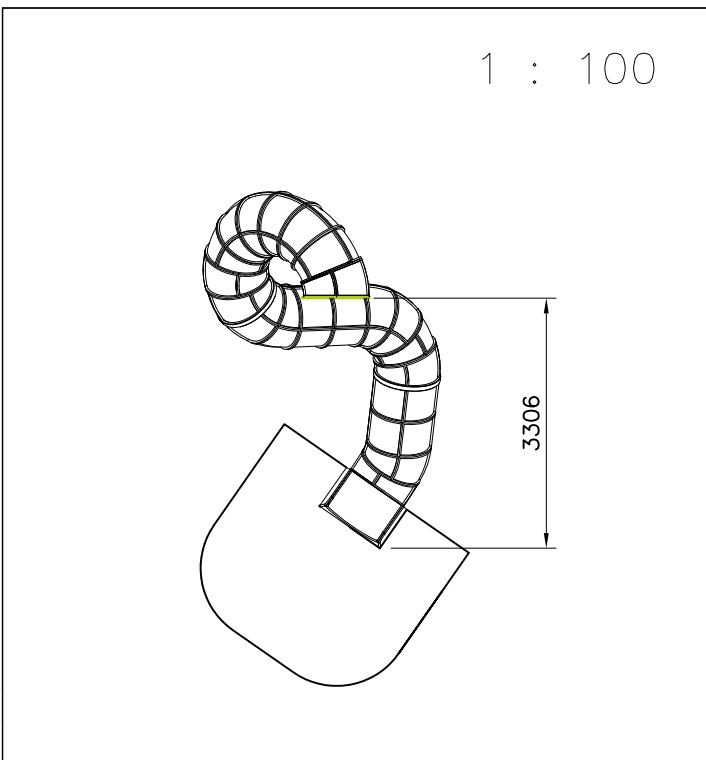
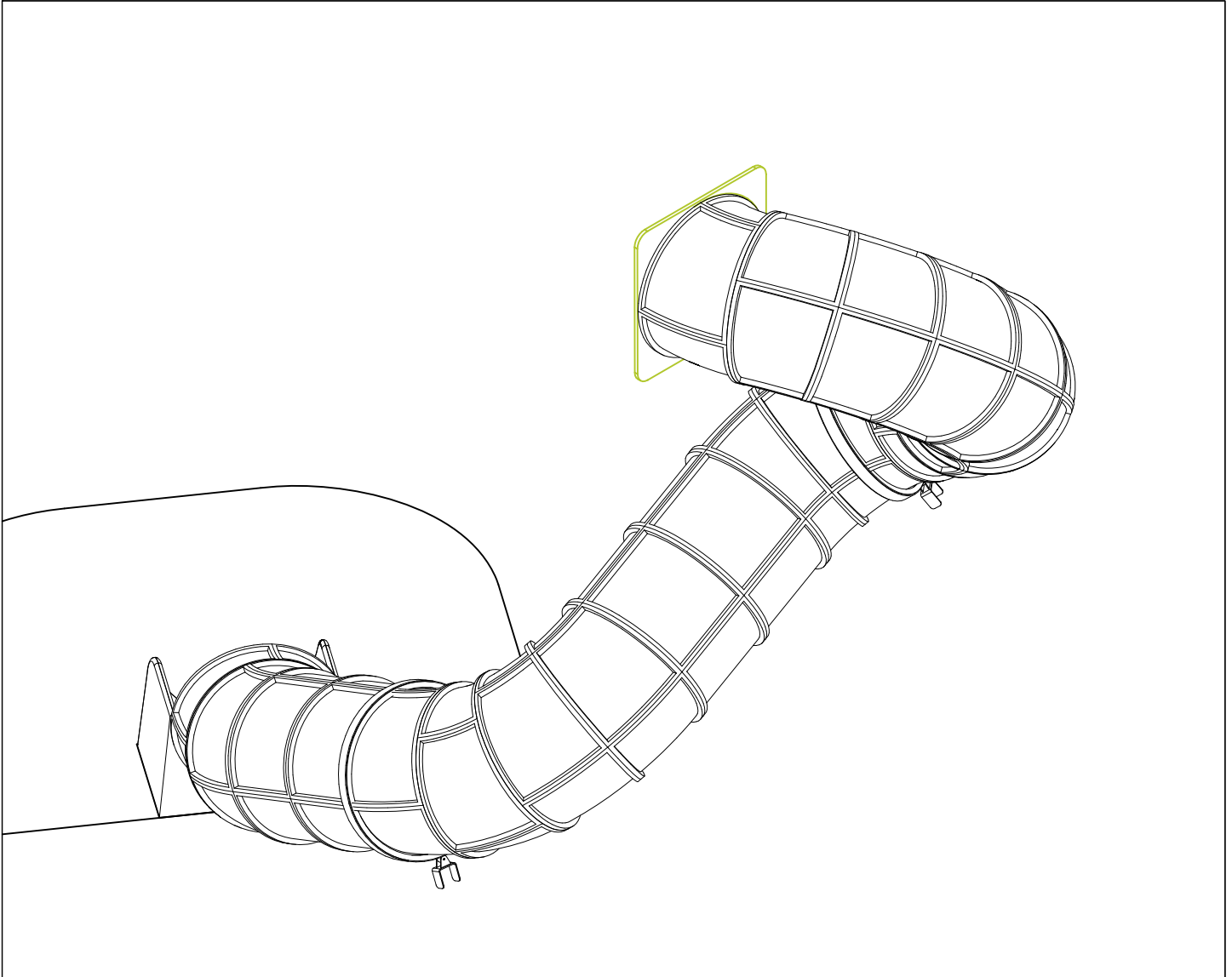
NO TRANSPARENT PIECES ON
SLIDING SURFACE!!

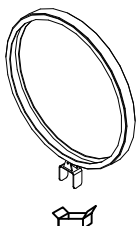
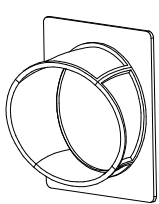
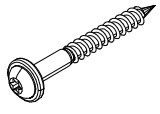
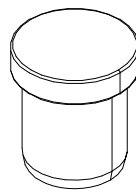

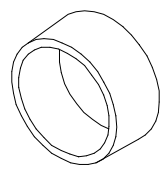
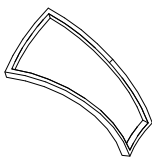
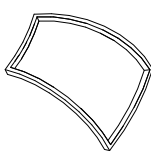
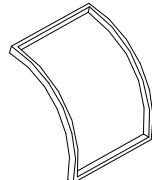
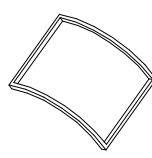

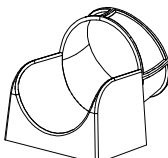

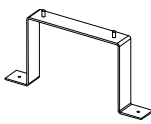



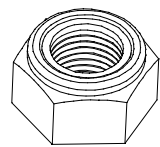
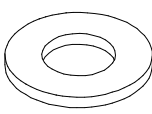


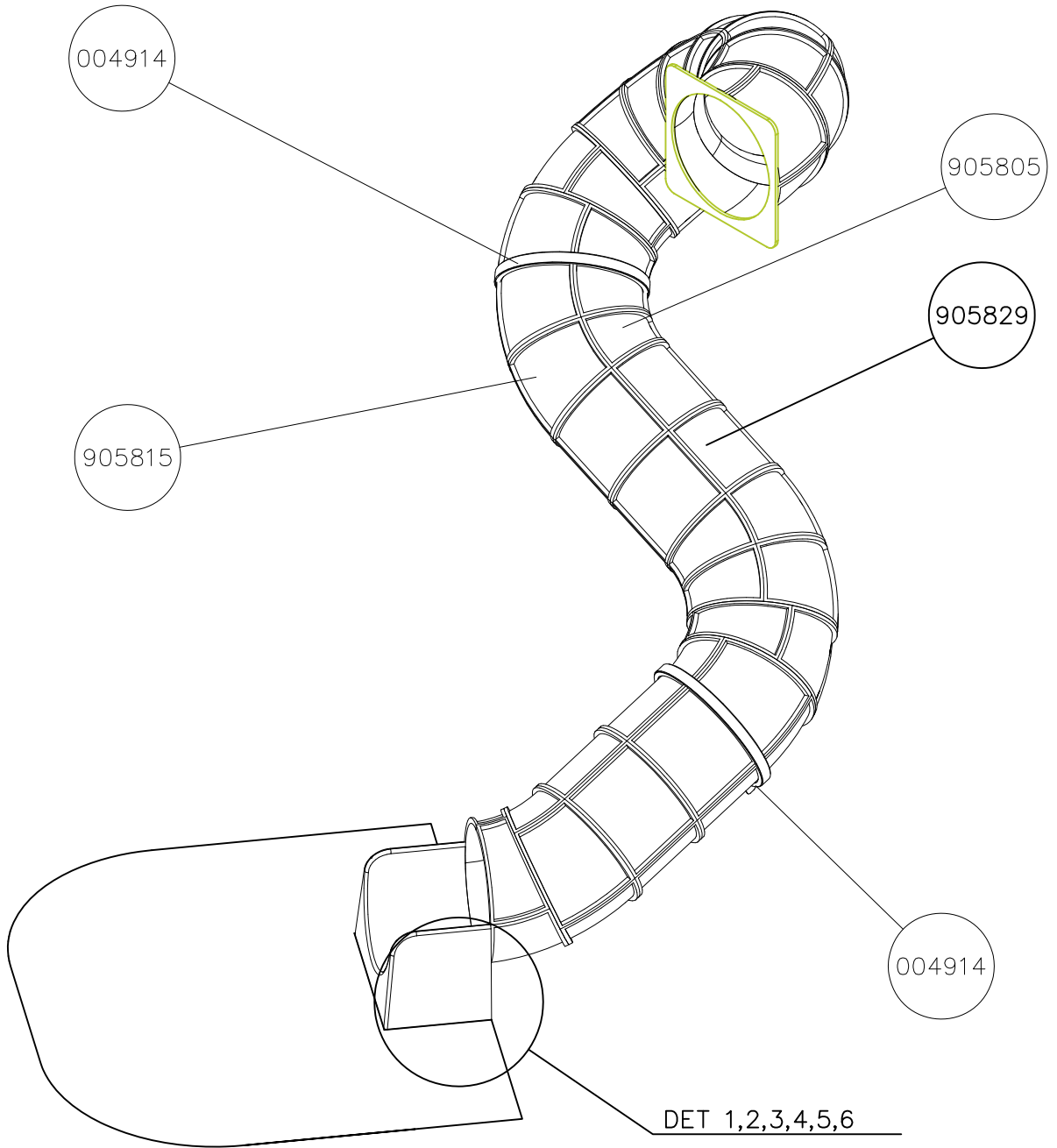
Valmiiksi kasattujen osien osakokoonpanot ja vara-osa listat.

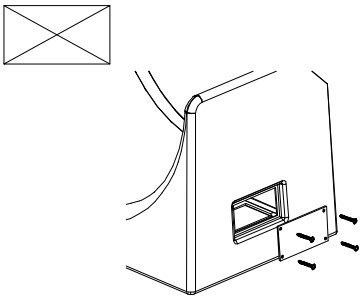
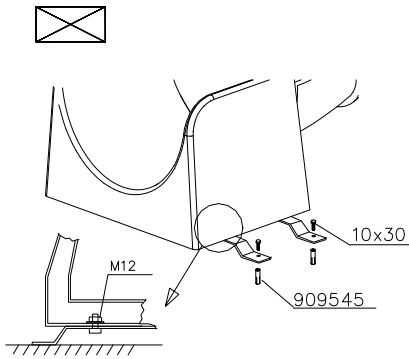
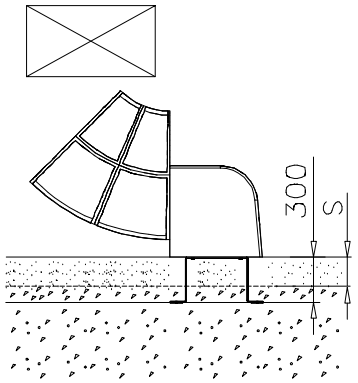
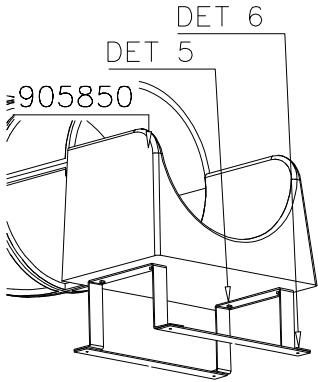
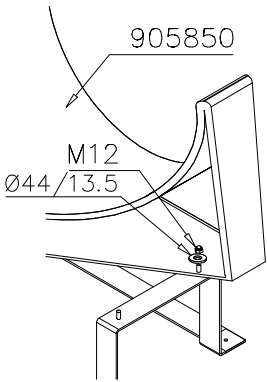
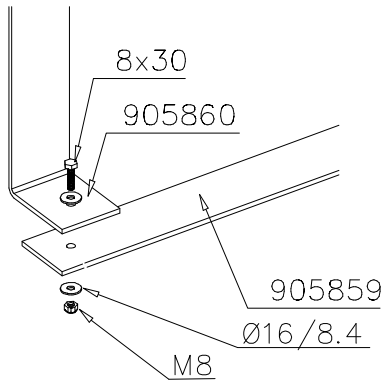
Ready installed component subassemblies and spare part list.

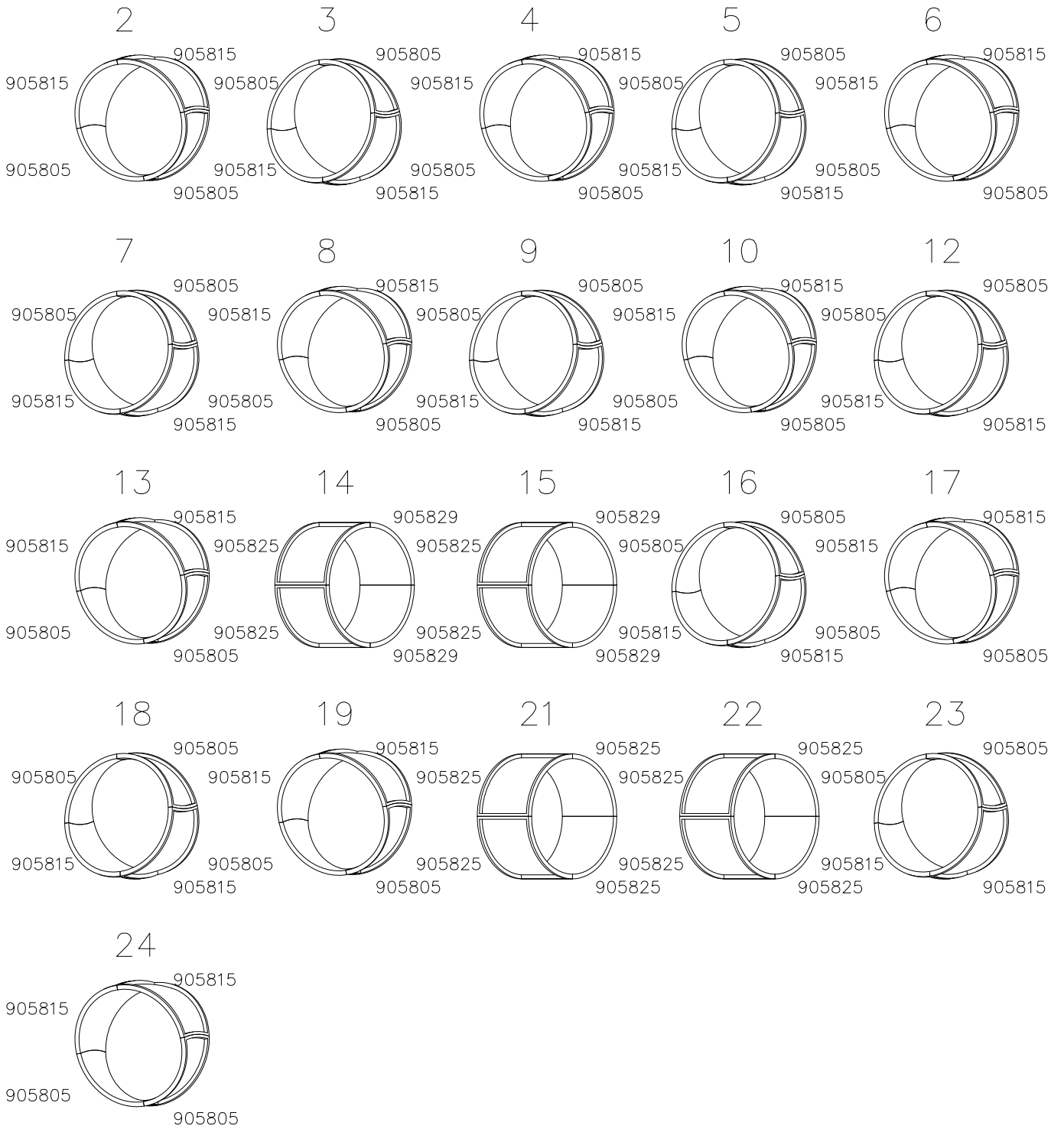
	<p>2</p> 								
<p>24</p>  <table border="1" data-bbox="172 1724 746 2101"> <tr> <td>909205 x 16 909206 x 8 </td> <td>980150 x 16 </td> <td>905831 x 32 </td> </tr> <tr> <td>905850 </td> <td>909208 x 8 </td> <td>980151 x 8 </td> </tr> </table> <p>Position of the box: 99 degrees</p>	909205 x 16 909206 x 8 	980150 x 16 	905831 x 32 	905850 	909208 x 8 	980151 x 8 	<p>707918-703 </p>	<p>909205 x 8 </p>	<p>980150 x 8 </p>
909205 x 16 909206 x 8 	980150 x 16 	905831 x 32 							
905850 	909208 x 8 	980151 x 8 							
<p>905831 x 32 </p>	<p>909208 x 16 </p>	<p>909119 x 16 </p>							
<p>909252 x 13 </p>	<p>700413 x 1 </p>								



004914	PCS 2	707918-703	PCS 1	900240	PCS 14	903533	PCS 6	905086	PCS 4	905112	PCS 1040
											
				Ø8x70		SRL12		Ø44/13.5		BLACK Ø22	
905805	PCS 30	905815	PCS 30	905825	PCS 12	905829	PCS 4	905831	PCS 976	905850	PCS 1
											
BLUE		BLUE		BLUE		TRANSPARENT		BLACK			
905859	PCS 2	905860	PCS 2	909205	PCS 488	909248	PCS 4	909274	PCS 4	980150	PCS 492
											
6x80x850				8x60		M12		8x30		M8	
980151	PCS 8		PCS		PCS		PCS		PCS		PCS
											
Ø16/8.4											
	PCS		PCS		PCS		PCS		PCS		PCS
	PCS		PCS		PCS		PCS		PCS		PCS



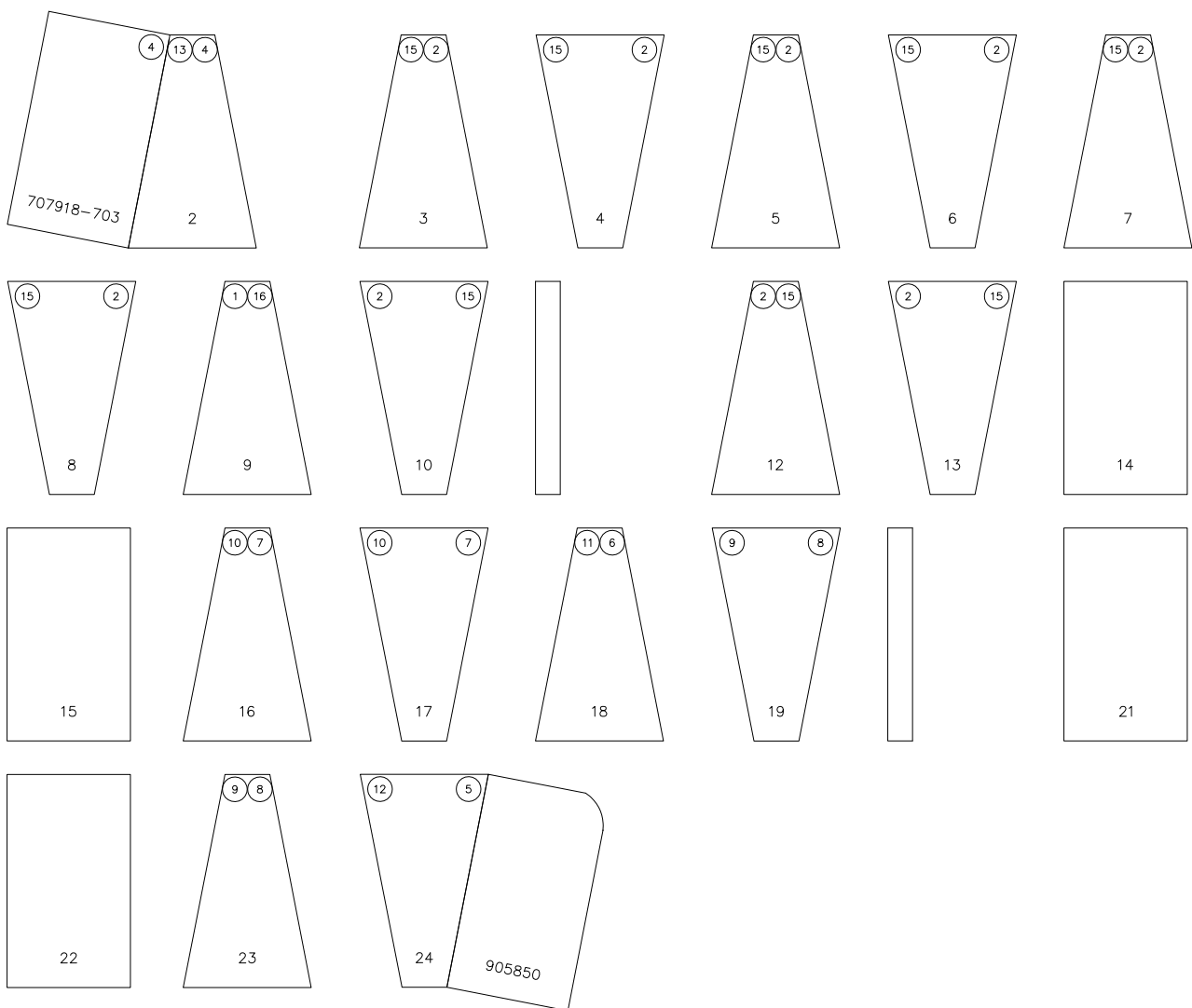
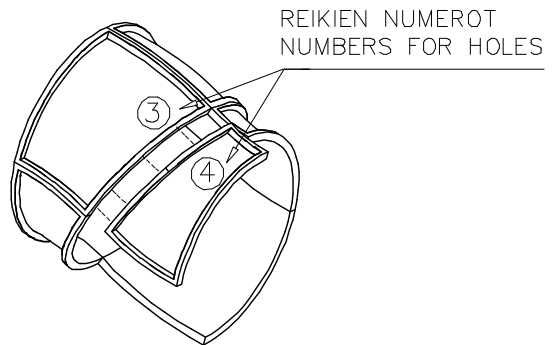
<p>DET 1</p>  <p>Access- and maintenance panel. Asennus- ja huolto luukku.</p>	<p>DET 2</p>  <p>M12 10x30 909545</p>	<p>DET 3</p>  <p>300 S</p>
<p>DET 4</p>  <p>DET 6 DET 5 905850</p>	<p>DET 5</p>  <p>905850 M12 Ø44/13.5</p>	<p>DET 6</p>  <p>8x30 905860 905859 Ø16/8.4 M8</p>



Esimerkki putken kokoamisesta Example of installation

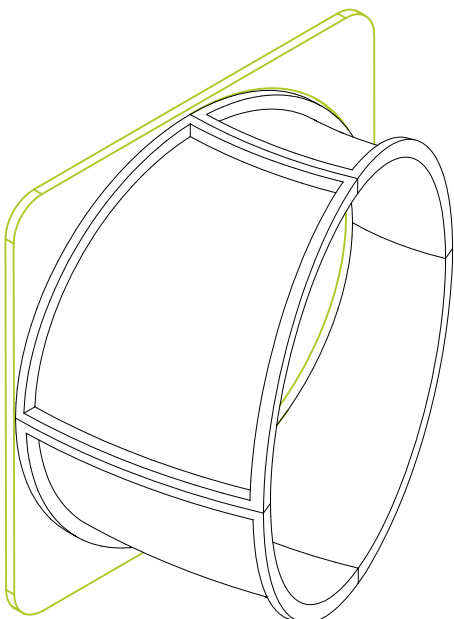
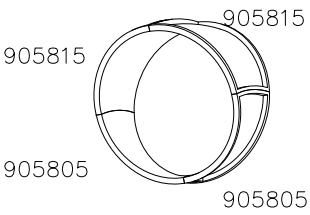
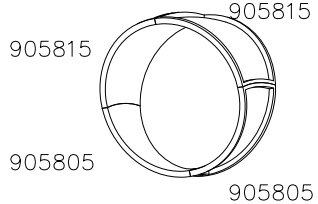





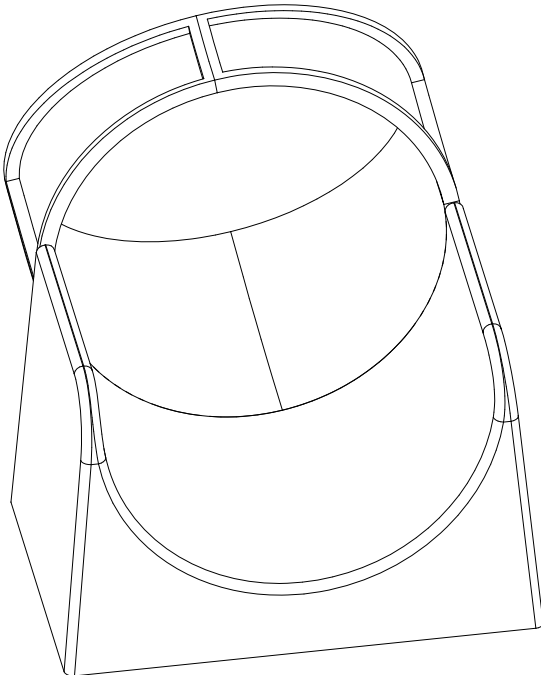

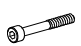
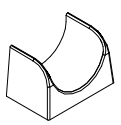
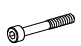

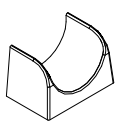
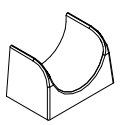


**LIUKUPINTAAN EI SAA TULLA
LÄPINÄKYVIÄ MODUULEJA!!**

**NO TRANSPARENT PIECES ON
SLIDING SURFACE!!**



Valmiiksi kasattujen osien osakokoonpanot ja vara-osa listat.

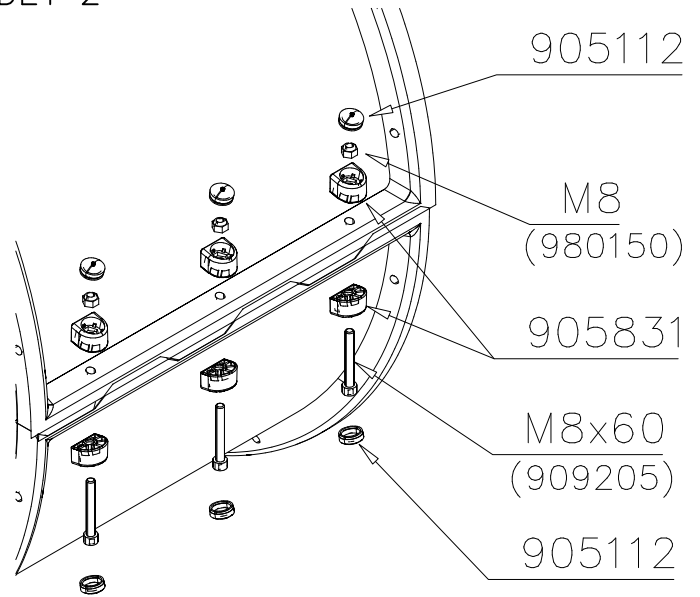
Ready installed component subassemblies and spare part list.

	<p>2</p> 								
<p>24</p>  <table border="1" data-bbox="167 1724 742 2094"> <tr> <td>909205 x 16 909206 x 8</td> <td>980150 x 16</td> <td>905831 x 32</td> </tr> <tr> <td>905850</td> <td>909208 x 8</td> <td>980151 x 8</td> </tr> </table> <p>Position of the box: 99 degrees</p>	909205 x 16 909206 x 8	980150 x 16	905831 x 32	905850	909208 x 8	980151 x 8	<p>707918-703</p> 	<p>909205 x 8</p> 	<p>980150 x 8</p> 
909205 x 16 909206 x 8	980150 x 16	905831 x 32							
905850	909208 x 8	980151 x 8							
<p>909252 x 13</p> 	<p>700413 x 1</p> 								
<p>905831 x 32</p> 	<p>909205 x 16 909206 x 8</p> 	<p>905850</p> 							
<p>909205 x 16 909206 x 8</p> 	<p>909208 x 8</p> 	<p>905850</p> 							
<p>905850</p> 	<p>909208 x 8</p> 	<p>980151 x 8</p> 							

DET 1



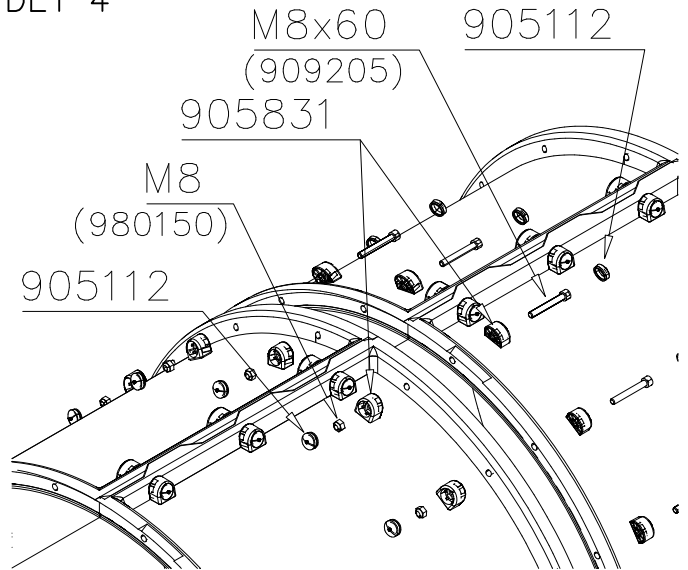
DET 2



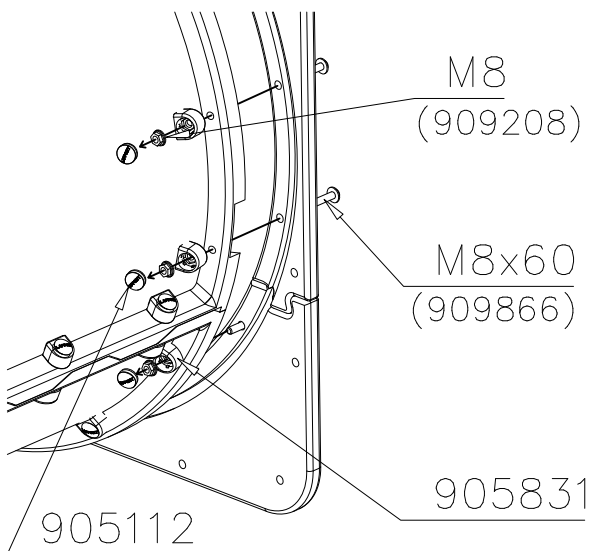
DET 3



DET 4

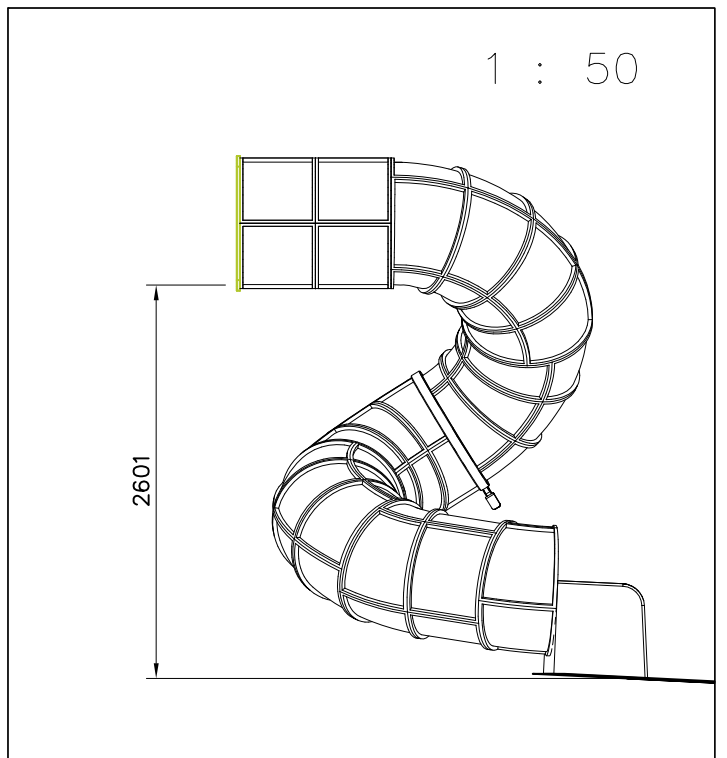
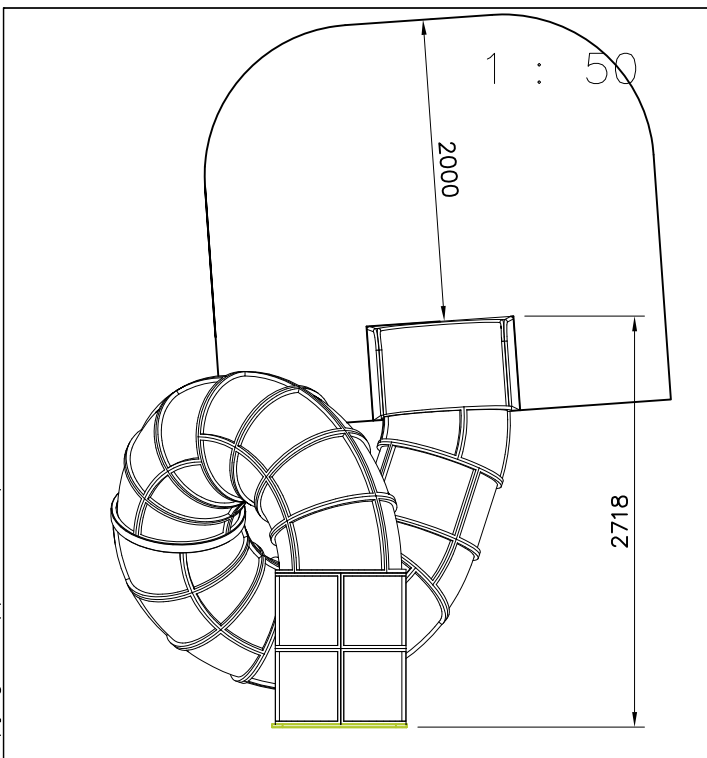
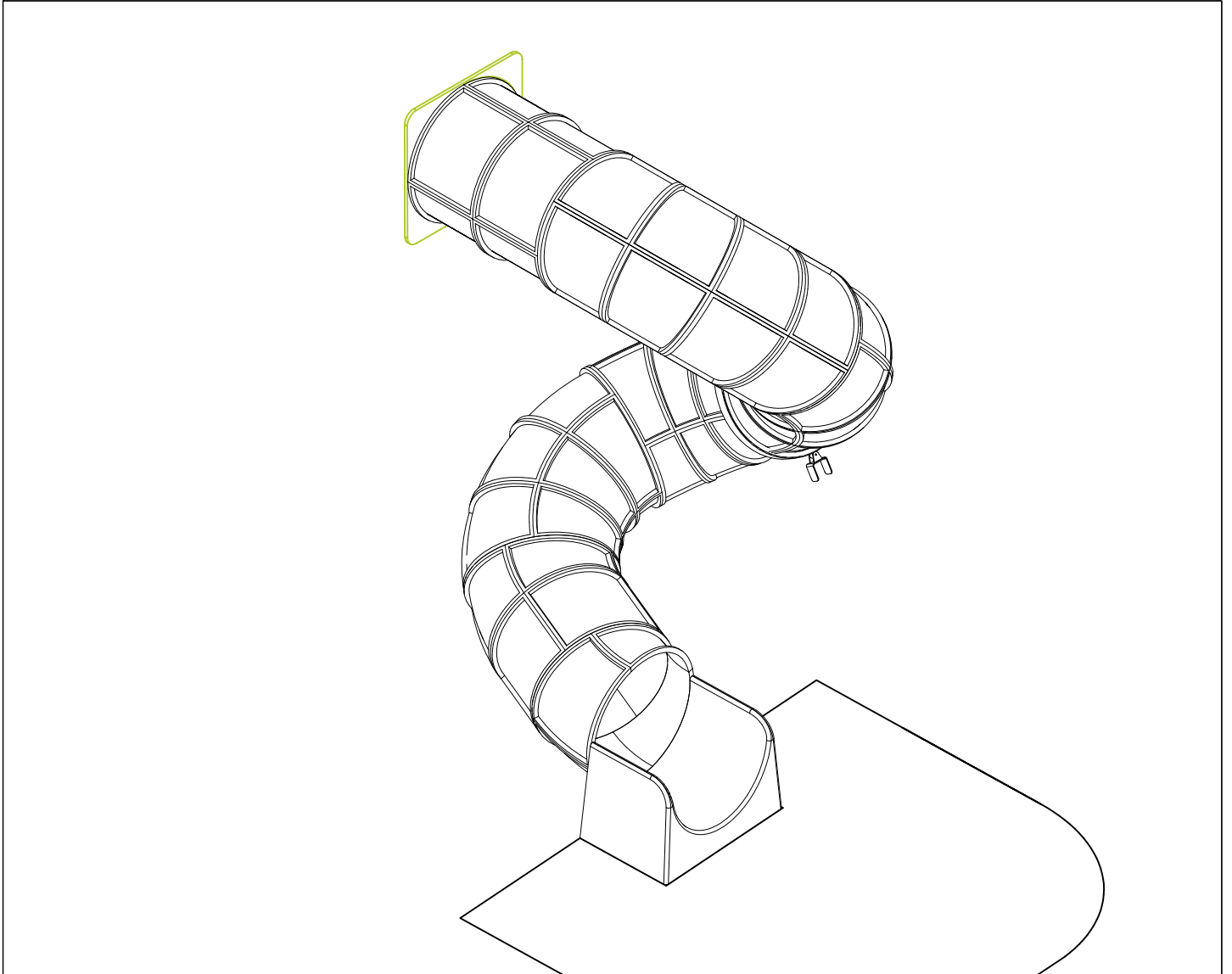


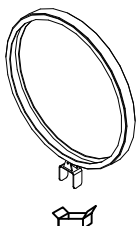
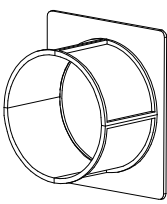
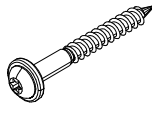
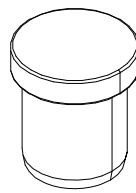

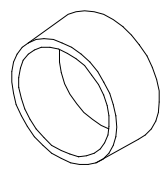
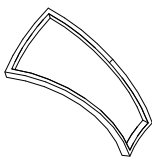
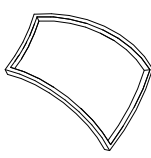
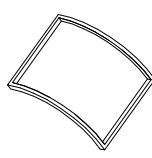
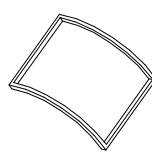

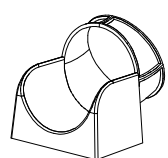

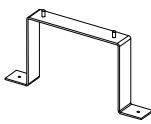



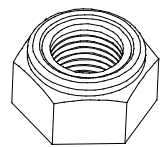
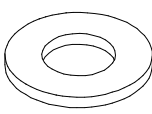
DET 5

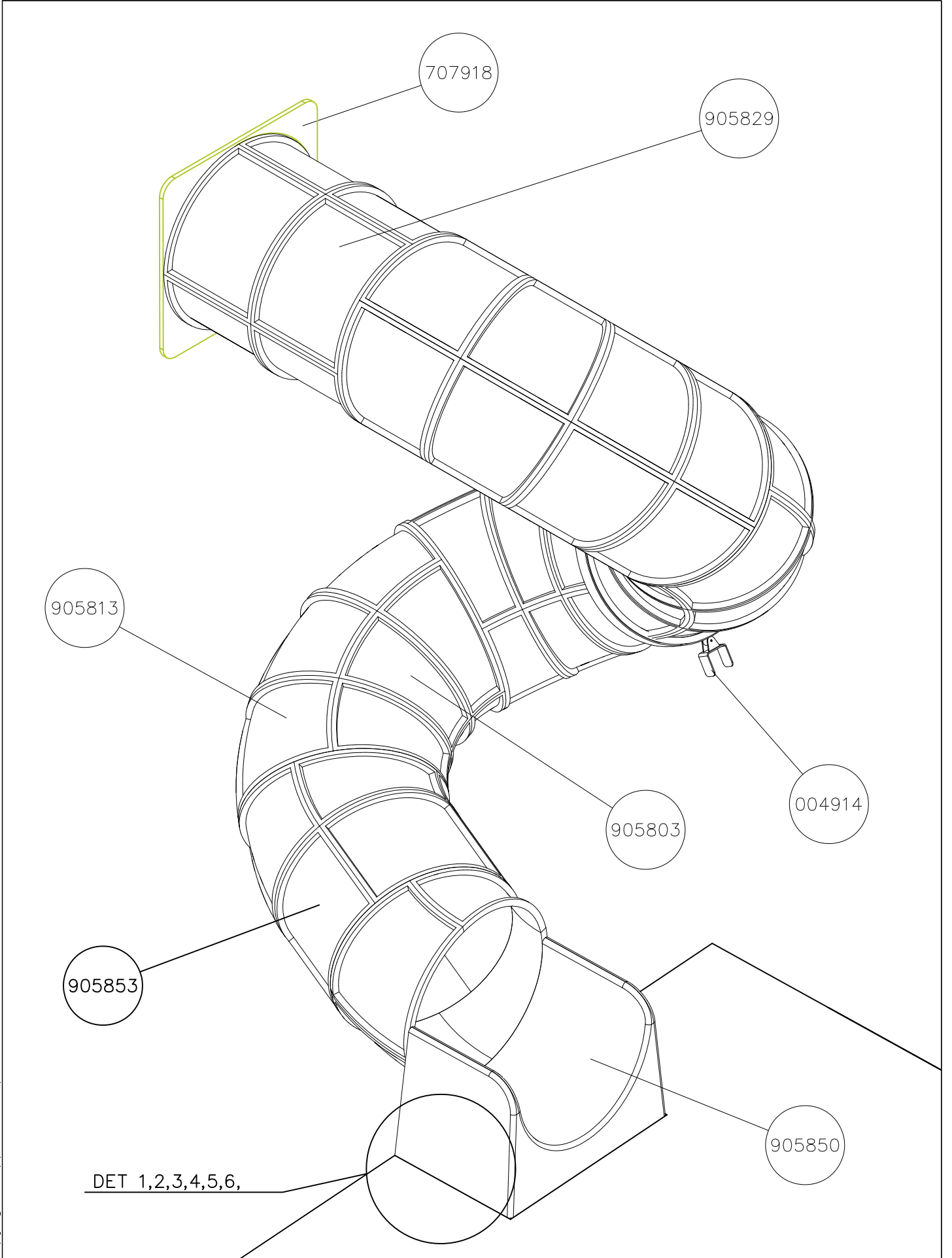


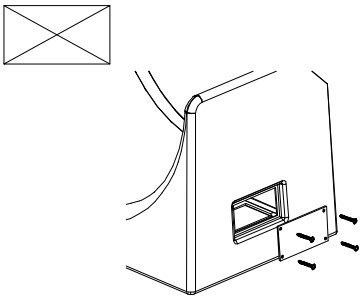
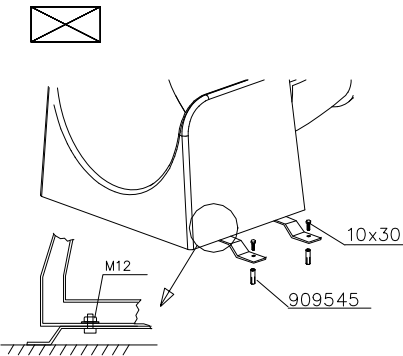
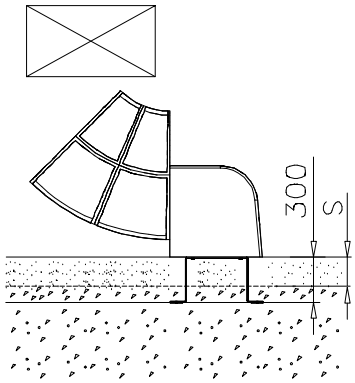
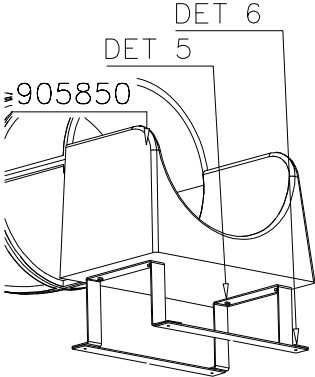
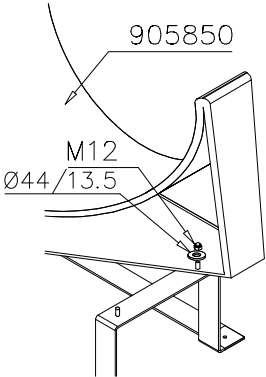
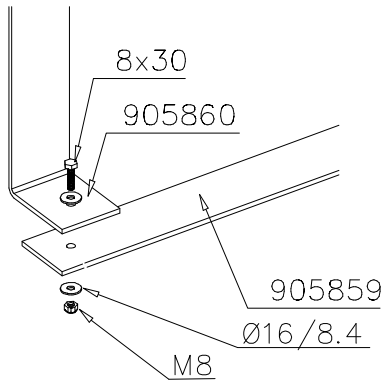
DET 6

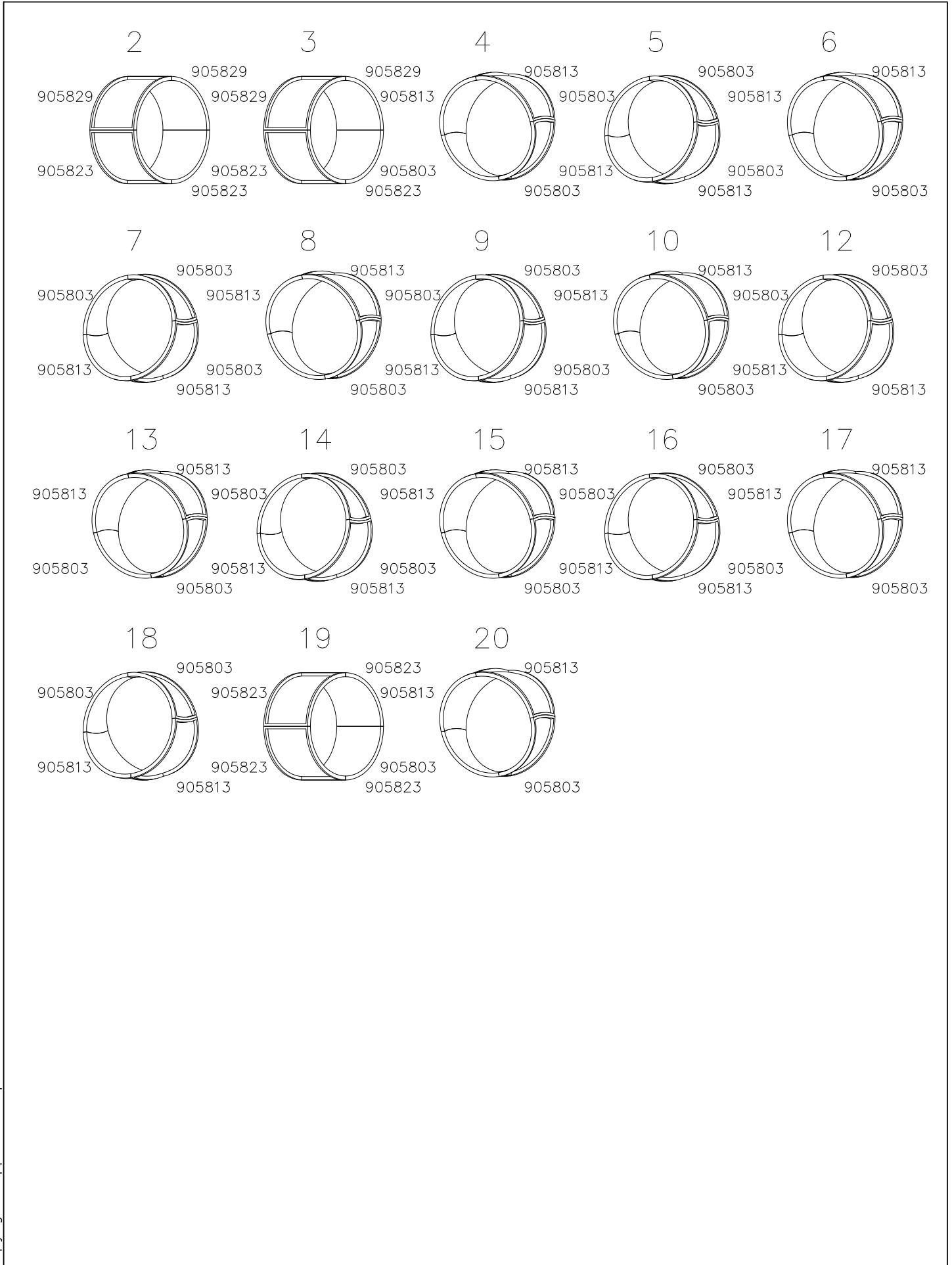




004914  1	PCS 1	707918-703  1	PCS 1	900240  14 Ø8x70	PCS 14	903533  6 SRL12	PCS 6	905086  4 Ø44/13.5	PCS 4	905112  888 BLACK Ø22	PCS 888
905803  YELLOW	PCS 28	905813  YELLOW	PCS 28	905823  YELLOW	PCS 6	905829  TRANSPARENT	PCS 2	905831  BLACK	PCS 816	905850  1	PCS 1
905859  6x80x850	PCS 2	905860  2	PCS 2	909205  8x60	PCS 408	909248  M12	PCS 4	909274  8x30	PCS 4	980150  M8	PCS 412
980151  Ø16/8.4	PCS 8		PCS		PCS		PCS		PCS		PCS
	PCS		PCS		PCS		PCS		PCS		PCS
	PCS		PCS		PCS		PCS		PCS		PCS
	PCS		PCS		PCS		PCS		PCS		PCS



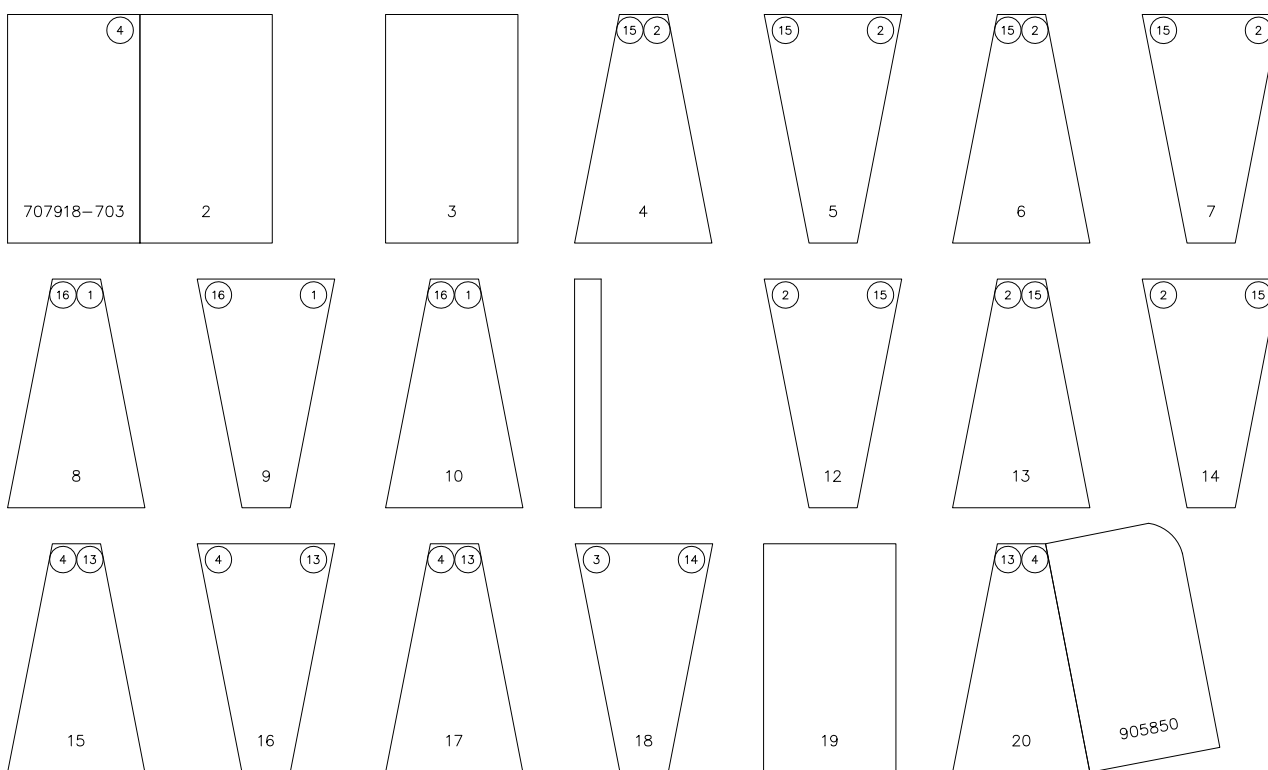
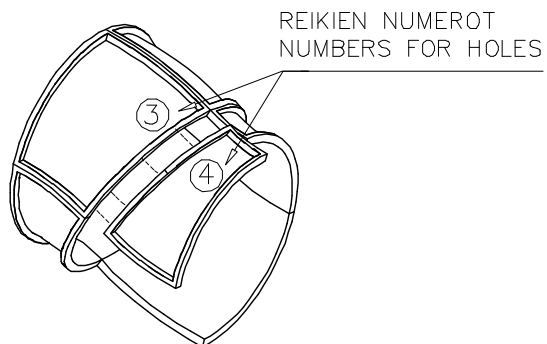
<p>DET 1</p>  <p>Access- and maintenance panel. Asennus- ja huolto luukku.</p>	<p>DET 2</p>  <p>M12 10x30 909545</p>	<p>DET 3</p>  <p>300 S</p>
<p>DET 4</p>  <p>DET 6 DET 5 905850</p>	<p>DET 5</p>  <p>905850 M12 Ø44/13.5</p>	<p>DET 6</p>  <p>8x30 905860 905859 Ø16/8.4 M8</p>



Esimerkki putken kokoamisesta Example of installation

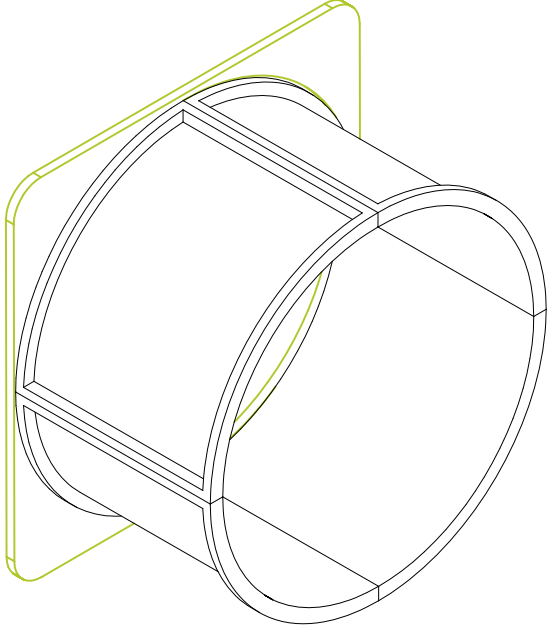
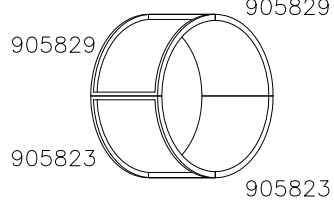
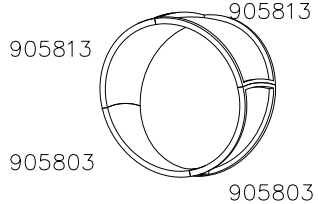
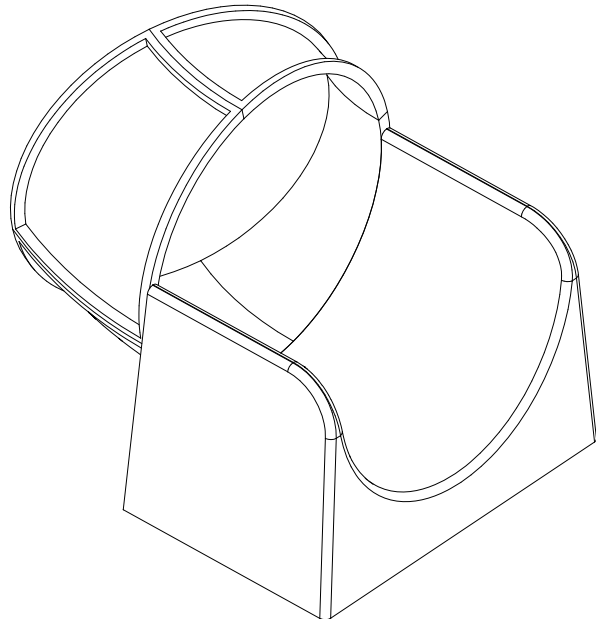
**LIUKUPINTAAN EI SAA TULLA
LÄPINÄKYVIÄ MODUULEJA!!**

**NO TRANSPARENT PIECES ON
SLIDING SURFACE!!**



Valmiiksi kasattujen osien osakokoonpanot ja vara-osa listat.

Ready installed component subassemblies and spare part list.

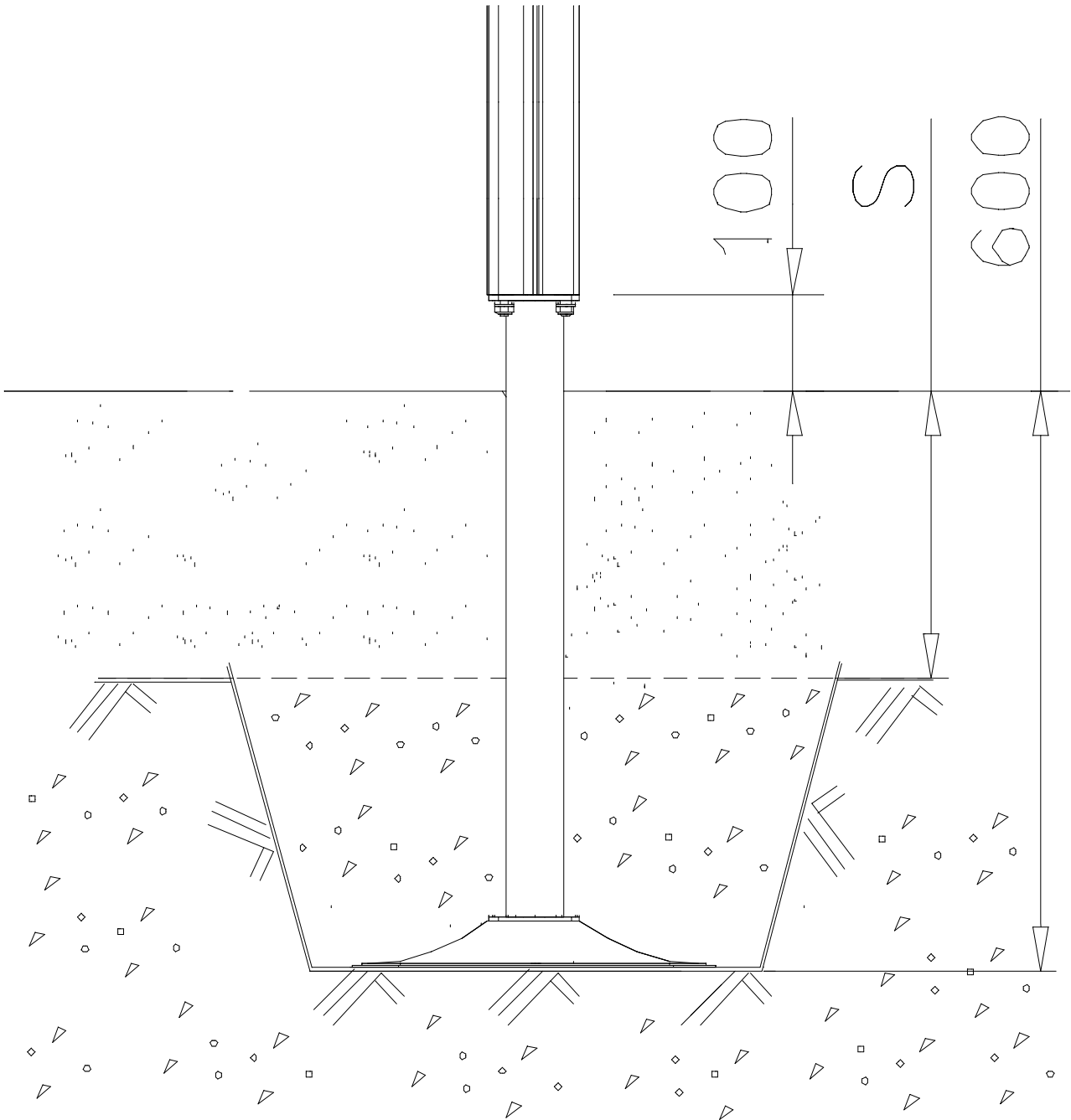
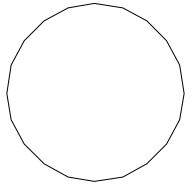
	<p>2</p> 												
<p>20</p>  <table border="1" data-bbox="167 1724 742 2094"> <tr> <td>909205 x 16 909206 x 8</td> <td>980150 x 16</td> <td>905831 x 32</td> </tr> <tr> <td>905850</td> <td>909208 x 8</td> <td>980151 x 8</td> </tr> </table> <p>Position of the box: 16 degrees</p>	909205 x 16 909206 x 8	980150 x 16	905831 x 32	905850	909208 x 8	980151 x 8	<table border="1" data-bbox="893 929 1468 1310"> <tr> <td>707918-703</td> <td>909205 x 12</td> <td>980150 x 12</td> </tr> <tr> <td>905831 x 40</td> <td>909208 x 16</td> <td>909119 x 16</td> </tr> </table>	707918-703	909205 x 12	980150 x 12	905831 x 40	909208 x 16	909119 x 16
909205 x 16 909206 x 8	980150 x 16	905831 x 32											
905850	909208 x 8	980151 x 8											
707918-703	909205 x 12	980150 x 12											
905831 x 40	909208 x 16	909119 x 16											
													

LAPPSET®
DEEP FOUNDATION

FOOT

DATE: 13.3.2014

4A

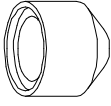


LAPPSET® BETON FOUNDATION

FOOT

DATE: 27.10.2015

1(1)

② 905104	PCS		PCS
	4		
			
M10			
	PCS		PCS



905104

LAPPSET® DEEP FOUNDATION

FOOT

DATE: 15.5.2018

1(1)



①	909511	PCS	②	909519	PCS
		1			1
	90x90x650			50x380x380	
③	909637	PCS	④	909638	PCS
		4			8
	M10			Ø20/10.5	
⑤	909639	PCS	⑥	905104	PCS
		4			4
	M10x25			M10	
OPTION FOOT					
①	911155	PCS			PCS
		1			
	90x90x650				

LAPPSET

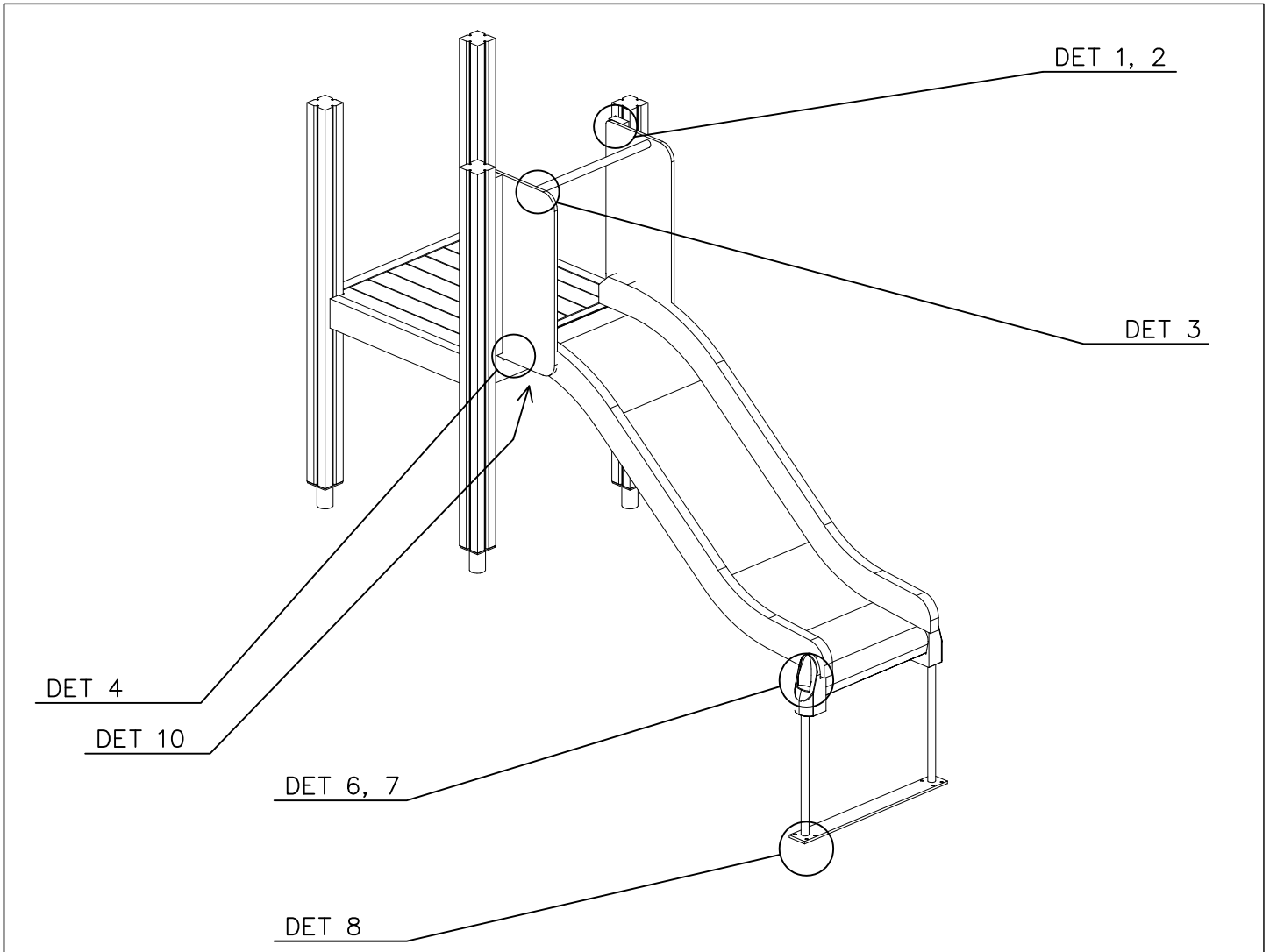
DEEP FOUNDATION

SLIDE WOOD

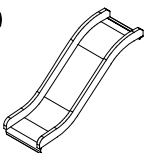
DATE: 22.5.2015

1(1)

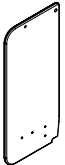



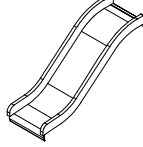


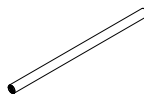
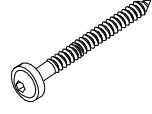
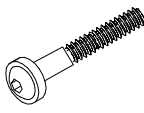
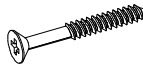




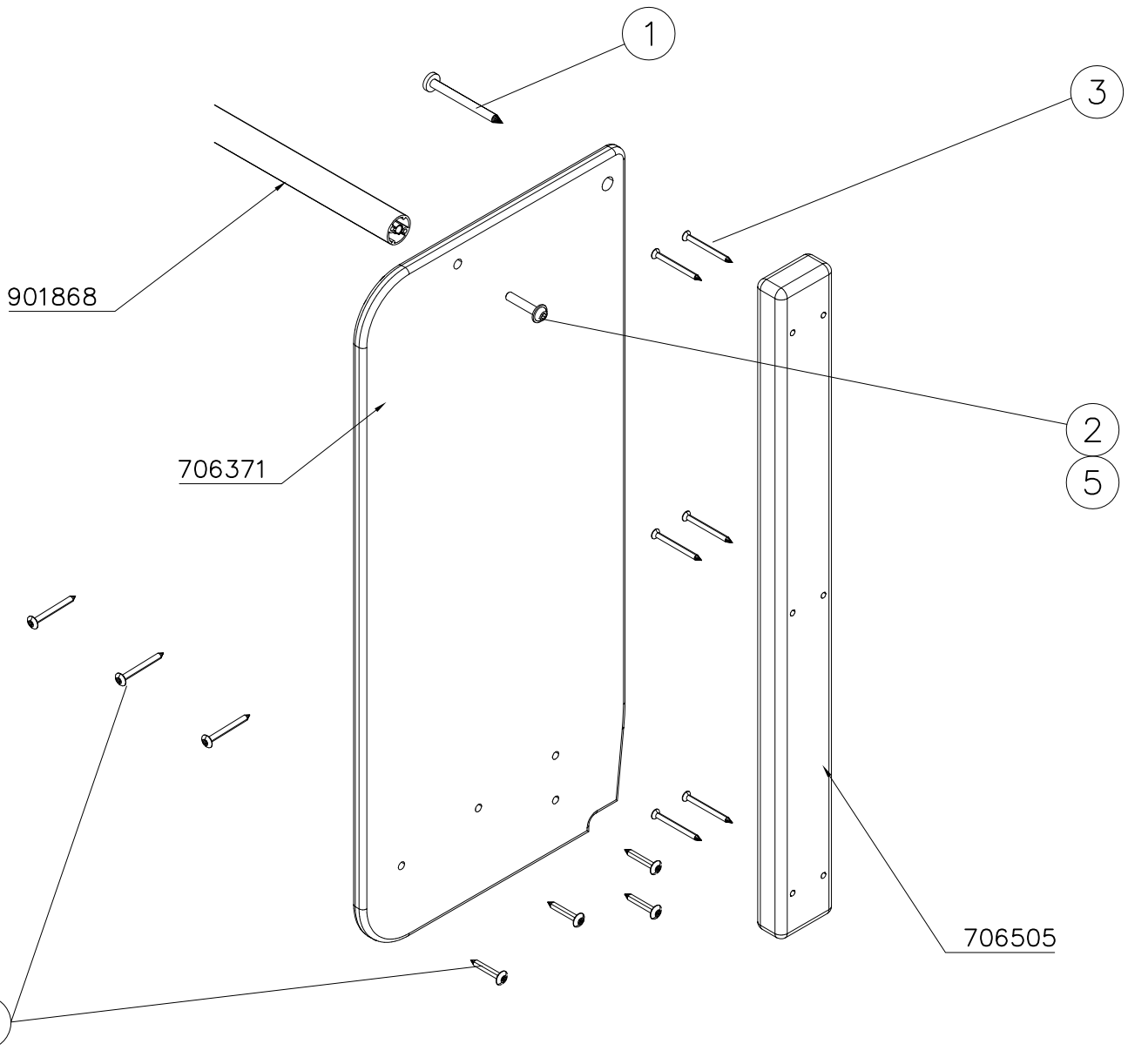
SLIDE OPTIONS

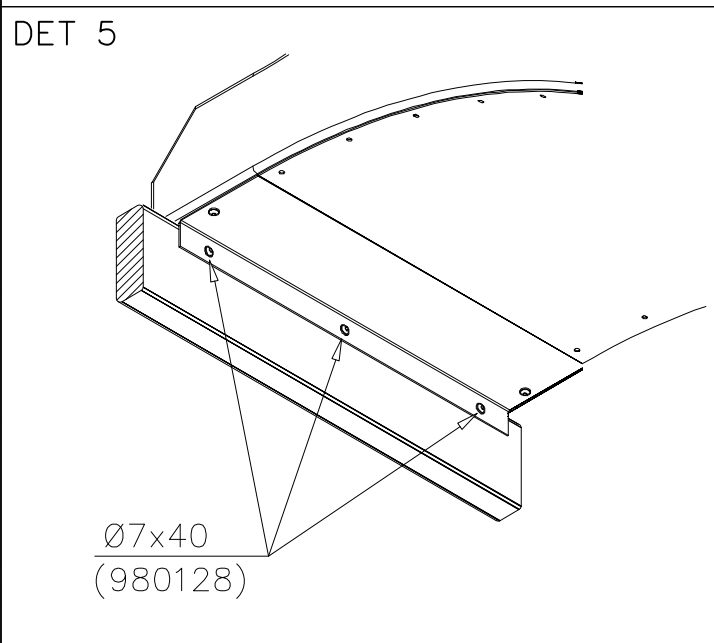
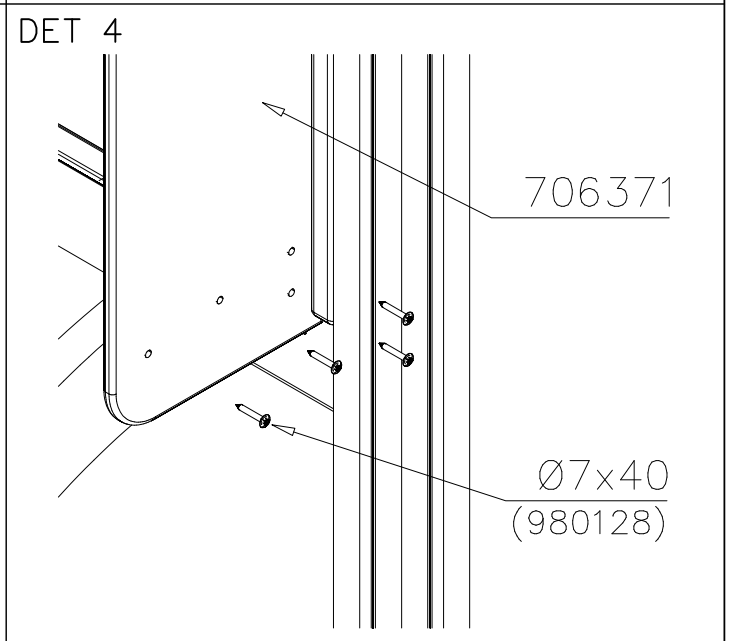
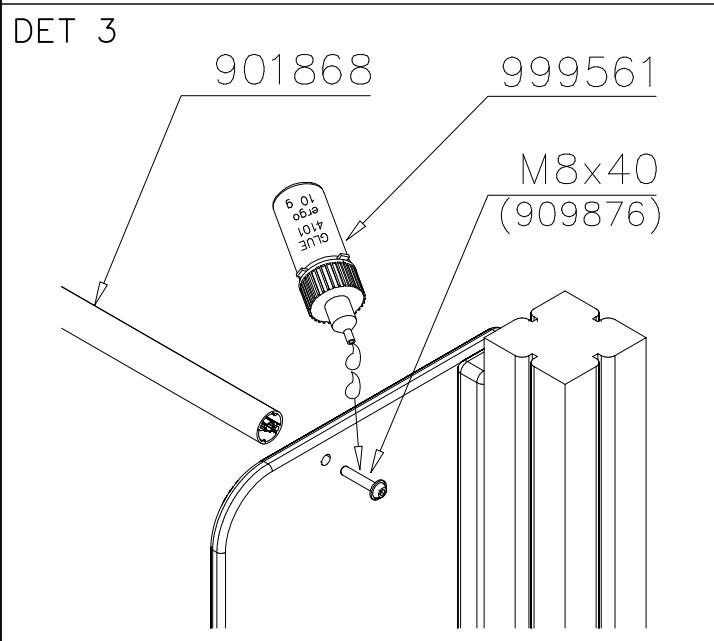
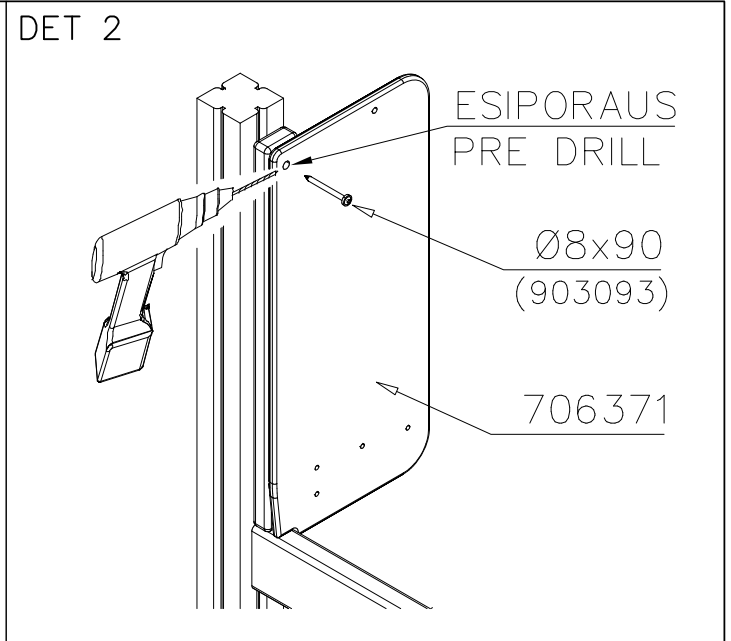
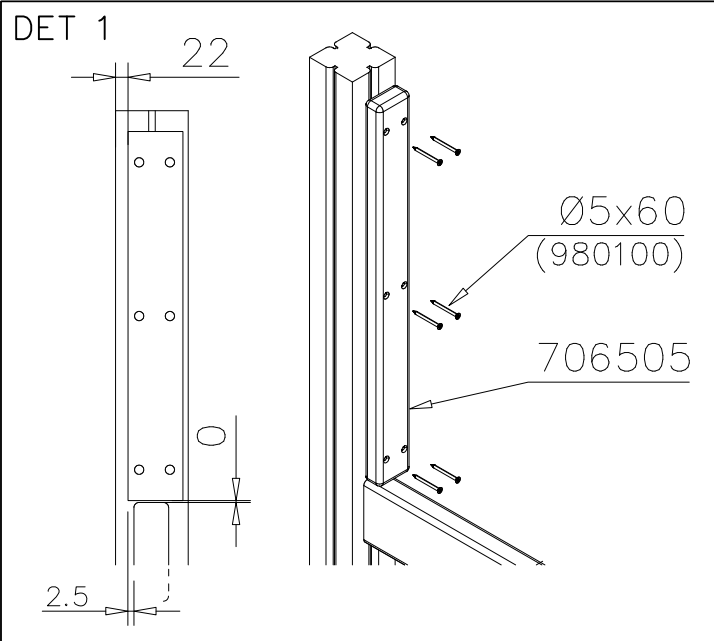
<p>706450 +1470</p> 	<p>706450-602 DARK BROWN 706450-603 LIGHT BROWN 706450-604 LIGHT GRAY</p>	
<p>706452 +870</p> 	<p>706452-602 DARK BROWN 706452-603 LIGHT BROWN 706452-604 LIGHT GRAY</p>	

WALL OPTIONS

<p>706371</p> 	<p>706371-701 BLUE 706371-702 YELLOW 706371-703 LIME 706371-704 DRARK GRAY 706371-705 LIGHT GRAY 706371-706 RED</p>	<p>706371-707 GREEN 706371-708 FUXIA</p>
---	--	---

○ SLIDE	PCS	○ SLIDE	PCS	○ 706371	PCS	○ 706505	PCS	○ 901868	PCS	① 903093	PCS
	1		1		2		2		1		2
+1470		+870		15x345x750		35x70x730		Ø34x598		Ø8x90	
② 909876	PCS	③ 980100	PCS	④ 980128	PCS	⑤ 999561	PCS				
	2		12		11		1				
M8x40		Ø5x60		Ø7x40		10g					





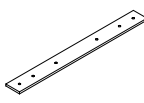
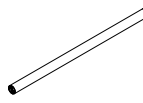

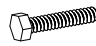
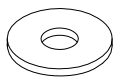
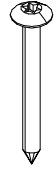
LAPPSET

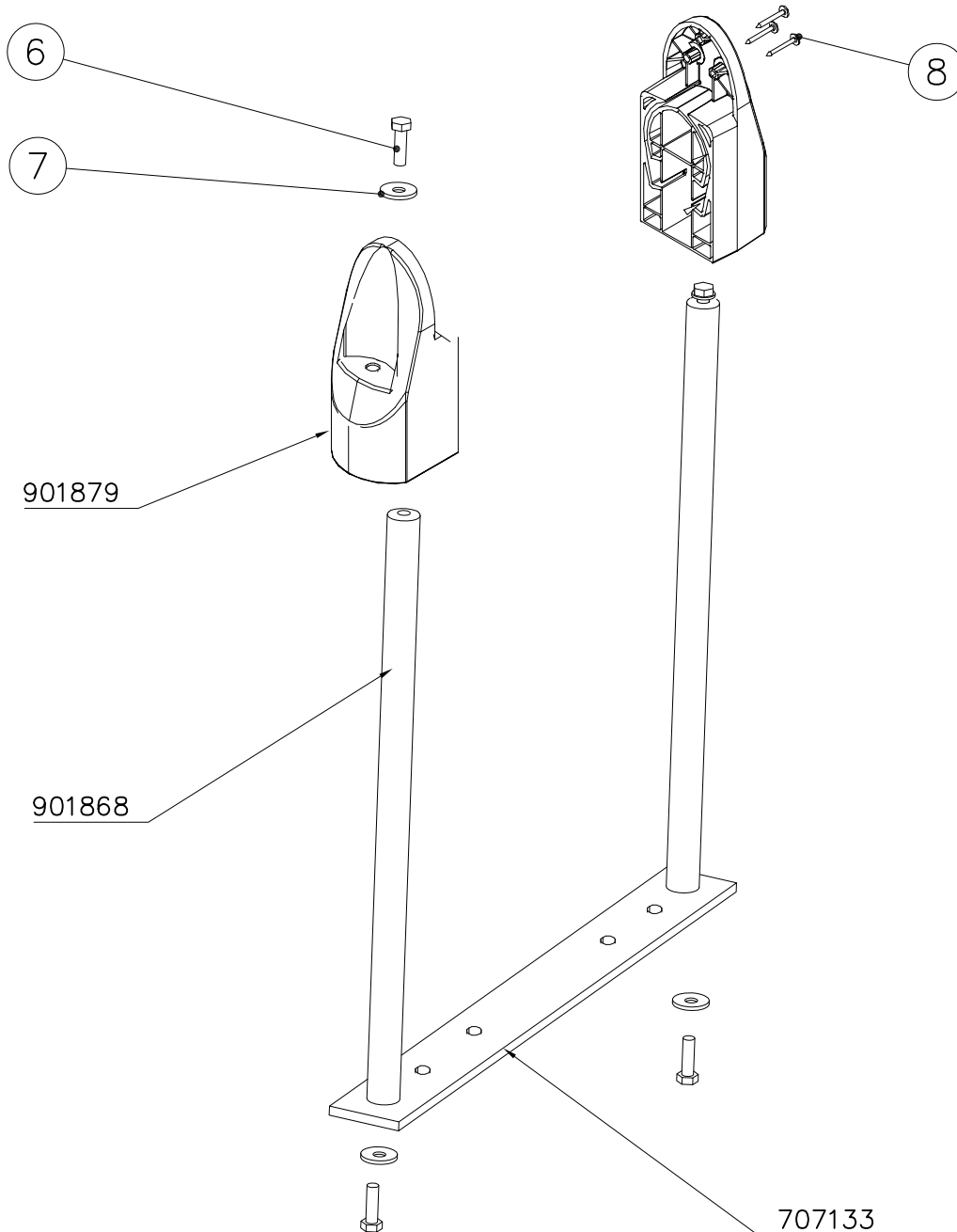
DEEP FOUNDATION

SLIDE WOOD

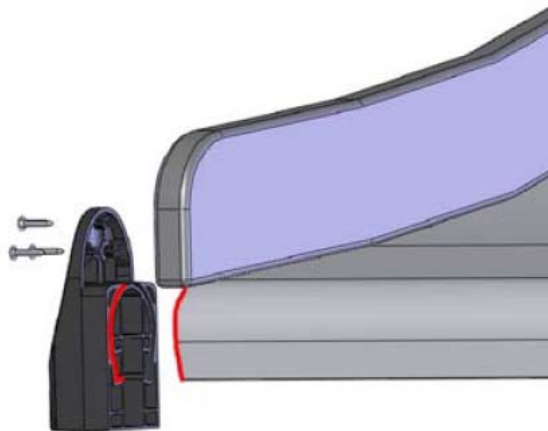
DATE: 3.11.2017

4(5)

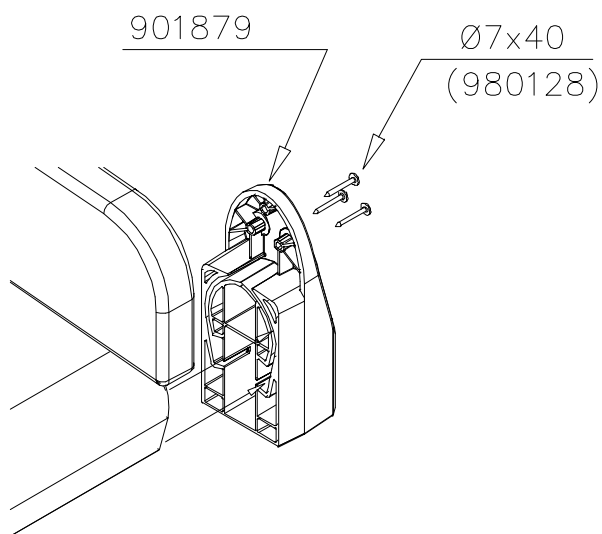
○ 707133	PCS	○ 901868	PCS	○ 901879	PCS	⑥ 909210	PCS	⑦ 905051	PCS	⑧ 980128	PCS
	1		2		2		4		4		6
10x80x745		Ø30x598				M8x40		Ø24/8.4		Ø7x40	



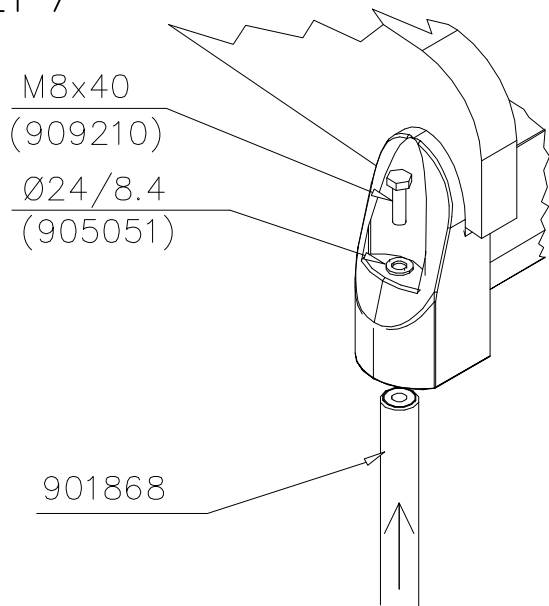
DET 6



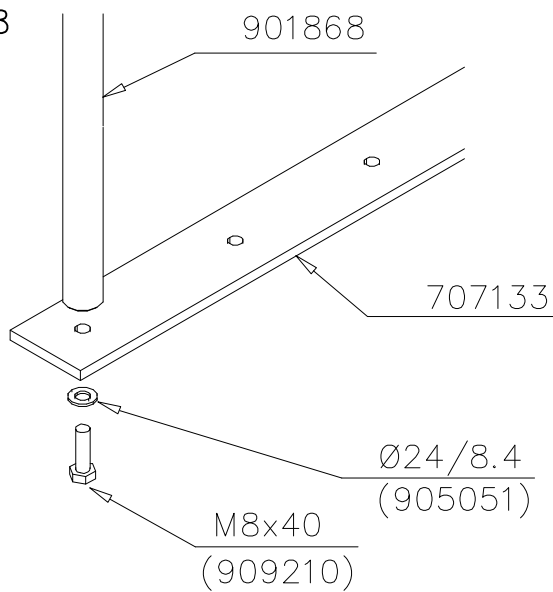
Insert sheet metal IN to the plastic cover.

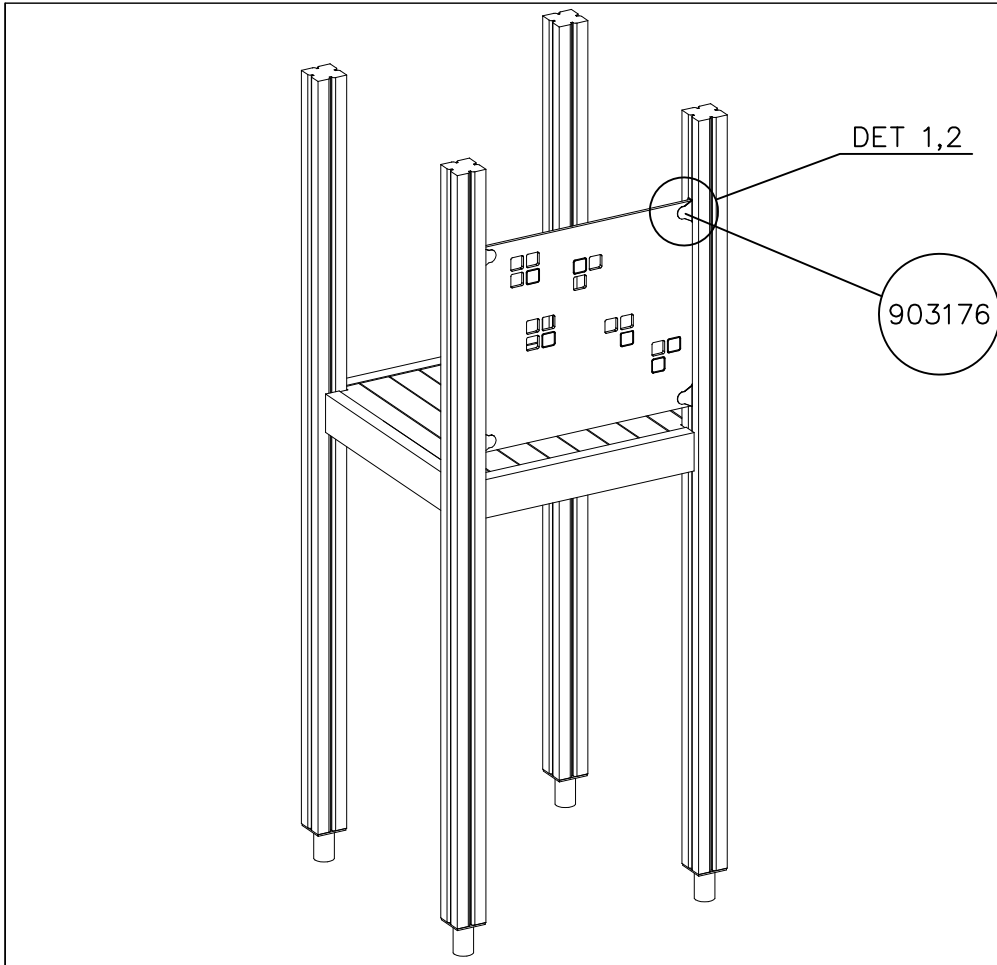


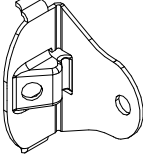
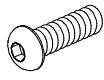
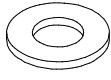
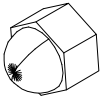

DET 7

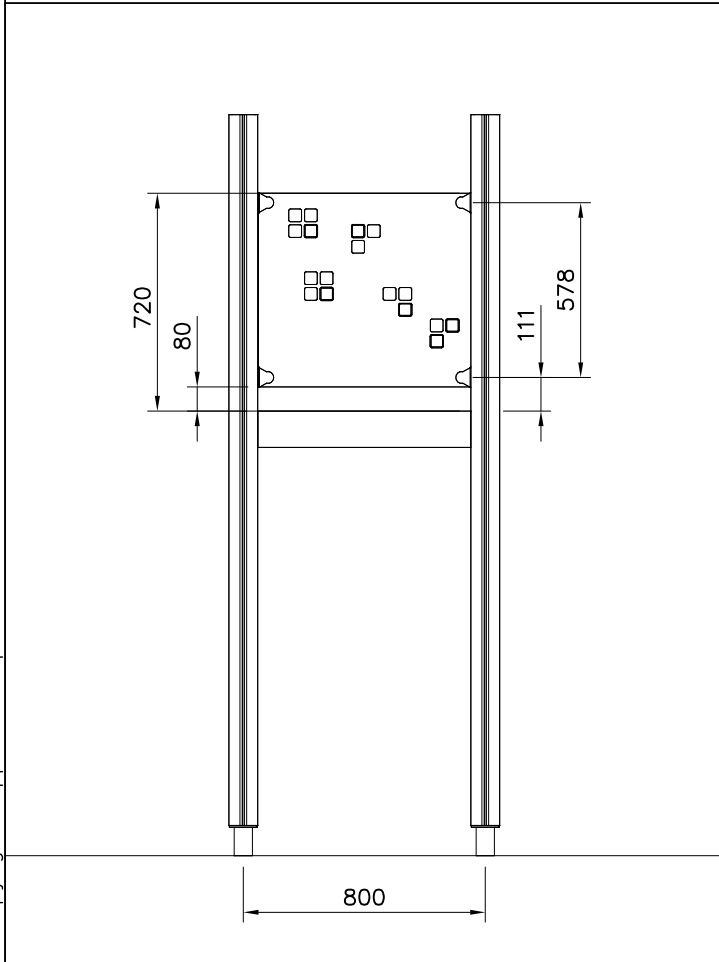


DET 8

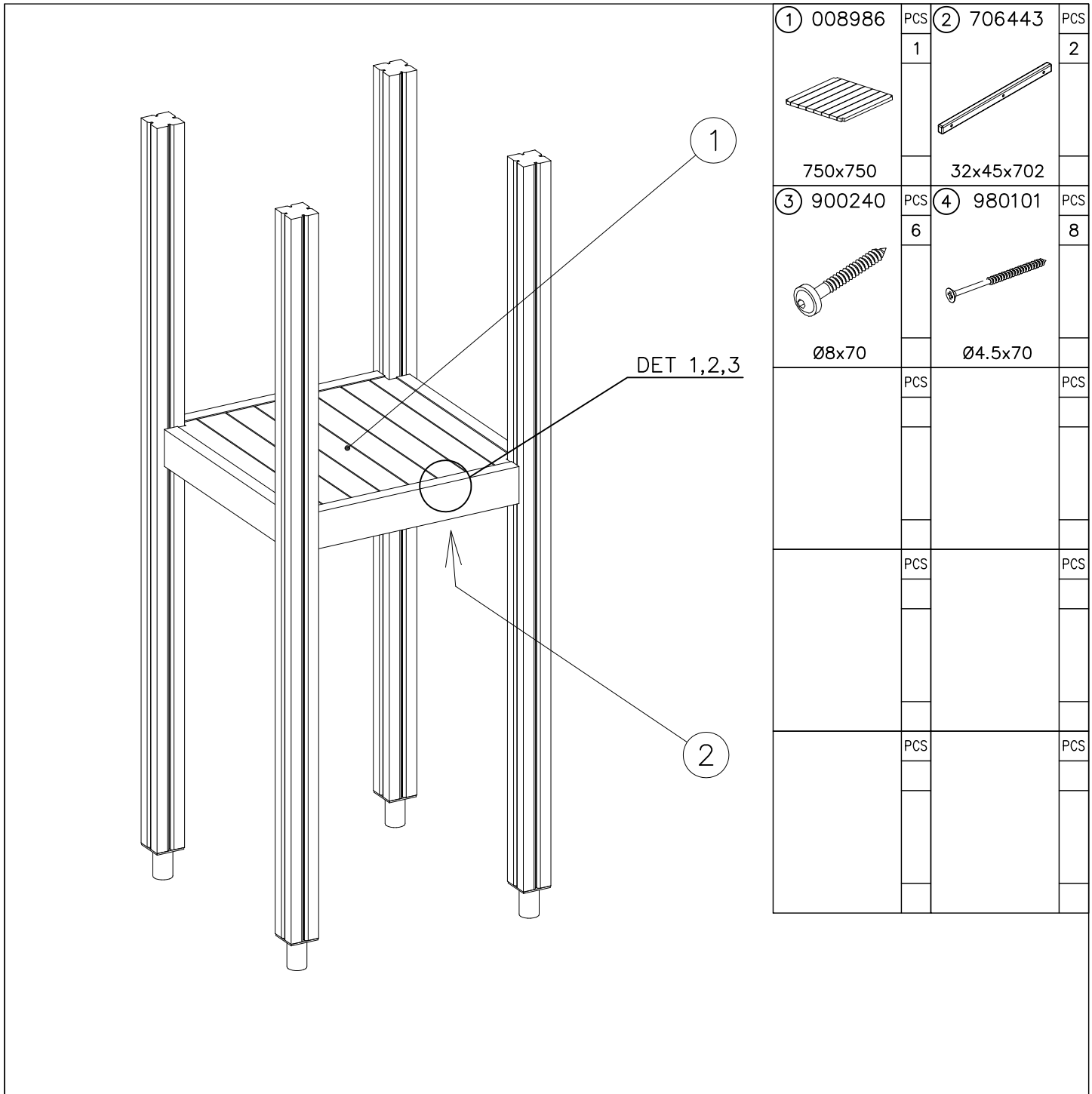




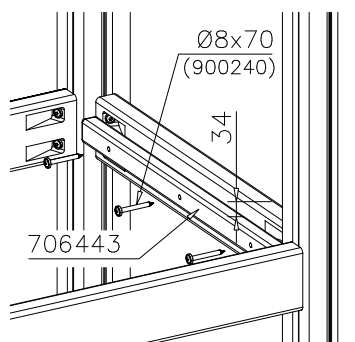
① 903176	PCS	② 909850	PCS
	4		4
		M8x25	
③ 909256	PCS	④ 909633	PCS
	8		4
Ø16/8.4x1.6		M8	
⑤ 980123	PCS		PCS
	4		
Ø7x60			
	PCS		PCS





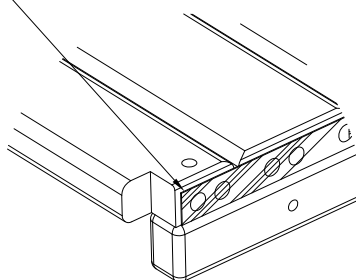


DET 1

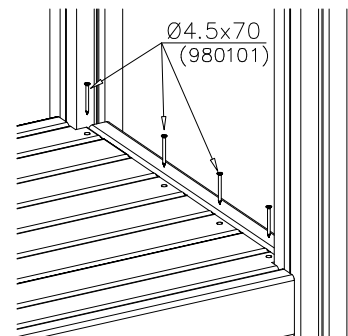


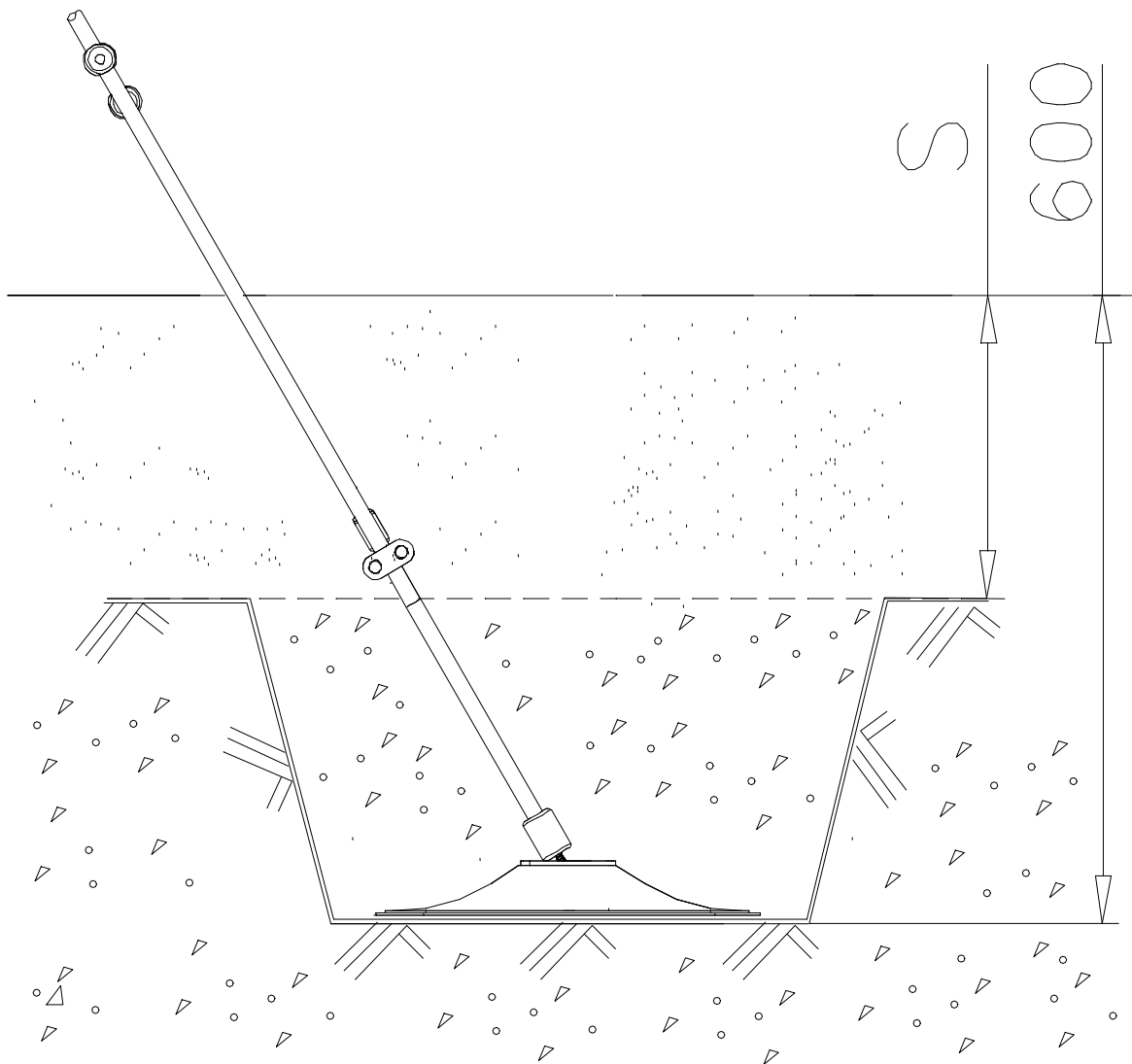
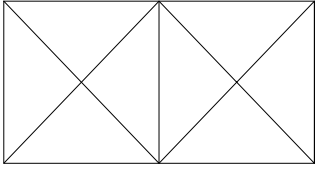
DET 2

Naulanauha kannatinlistan puolelle.
Nail list to the bottom.



DET 3



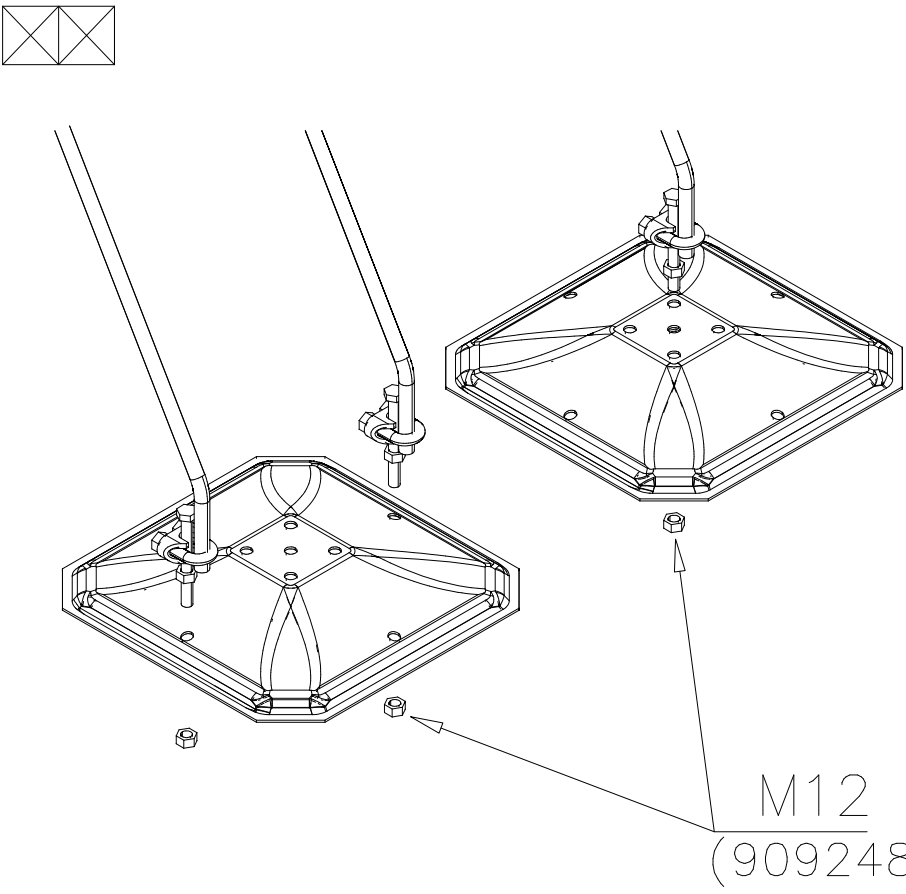


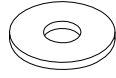
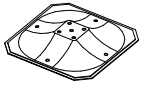
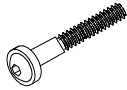


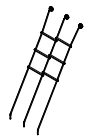
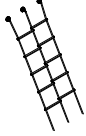
LAPPSET® DEEP FOUNDATION

ROPE LADDER

DATE: 30.6.2016

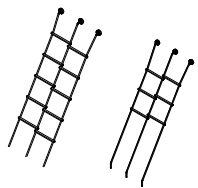
1(1)



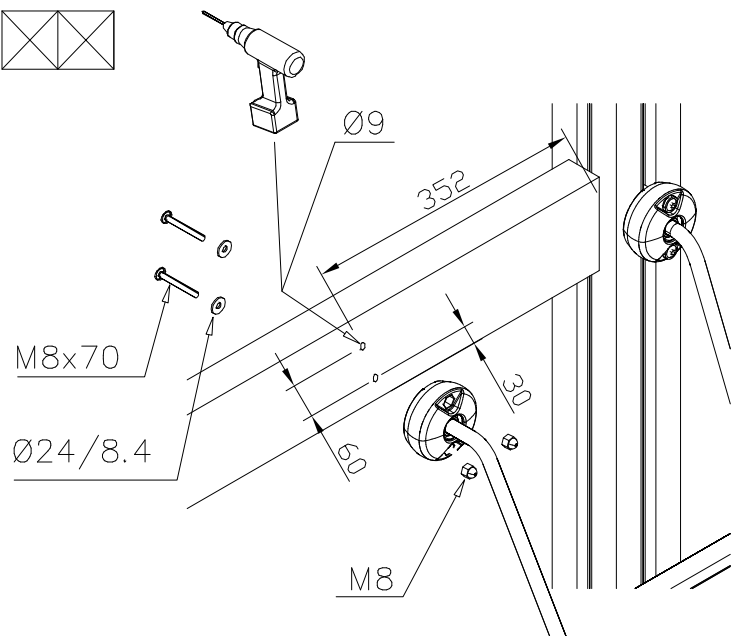
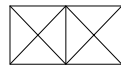
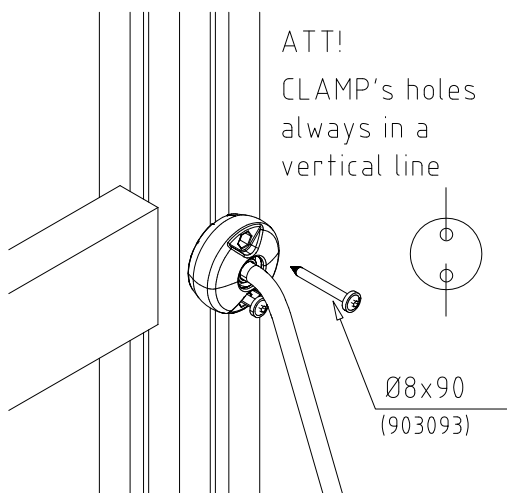
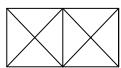
①	905051	PCS	②	909519	PCS
		2			2
					
	Ø24/8.4		50x380x380		
③	909867	PCS	④	909633	PCS
		2			2
					
	M8x70		M8		
⑤	903093	PCS			PCS
		4			
					
	Ø8x90				
○	706462	PCS	○	707393	PCS
		1			1
					
	+1470		+1970		

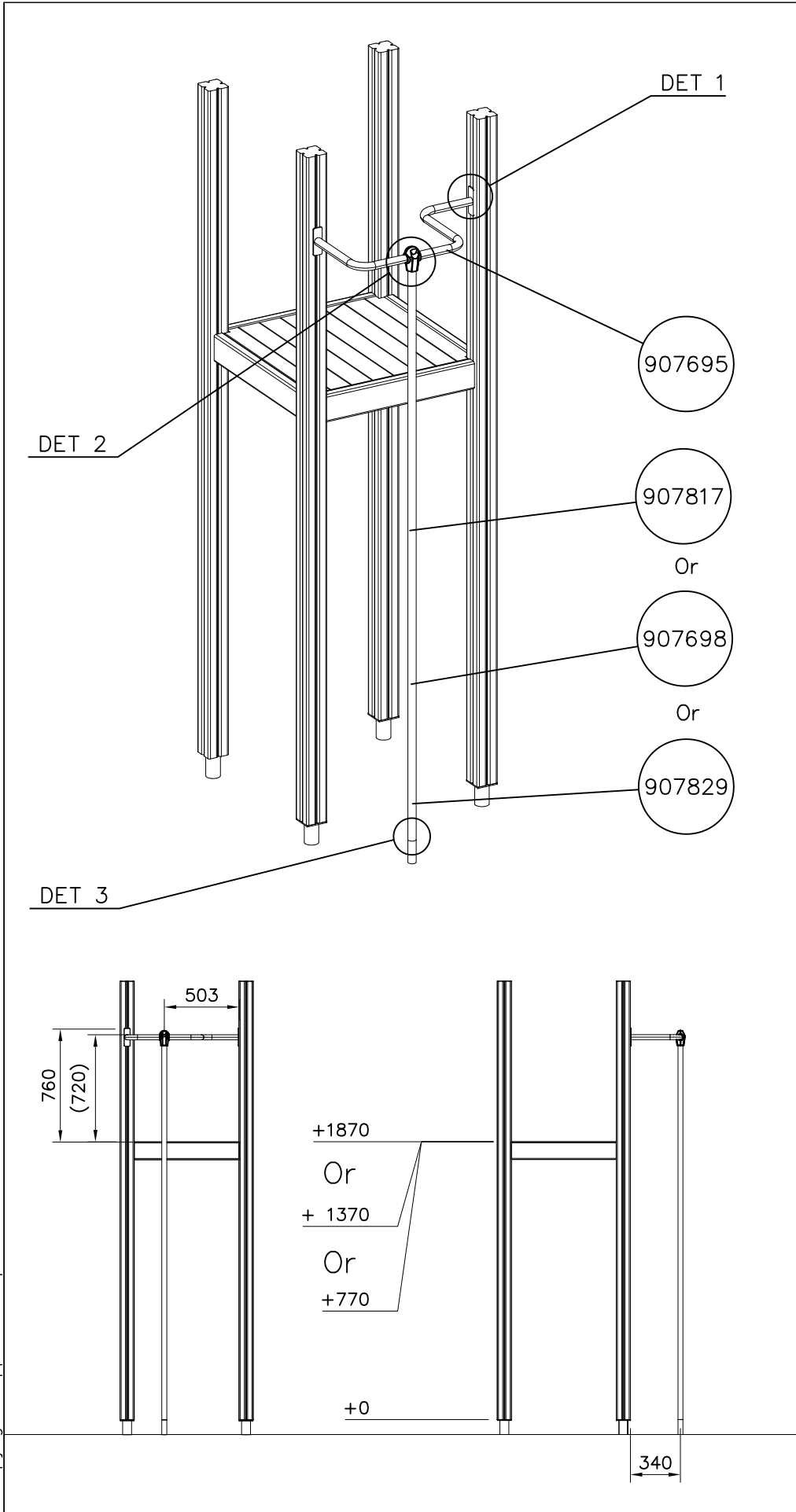
M12
(909248)

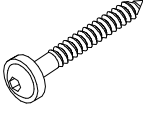
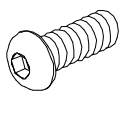


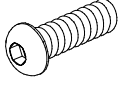

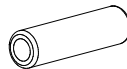
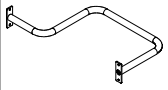




ROPE LADDER COLOR OPTIONS

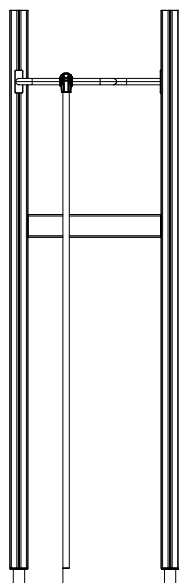
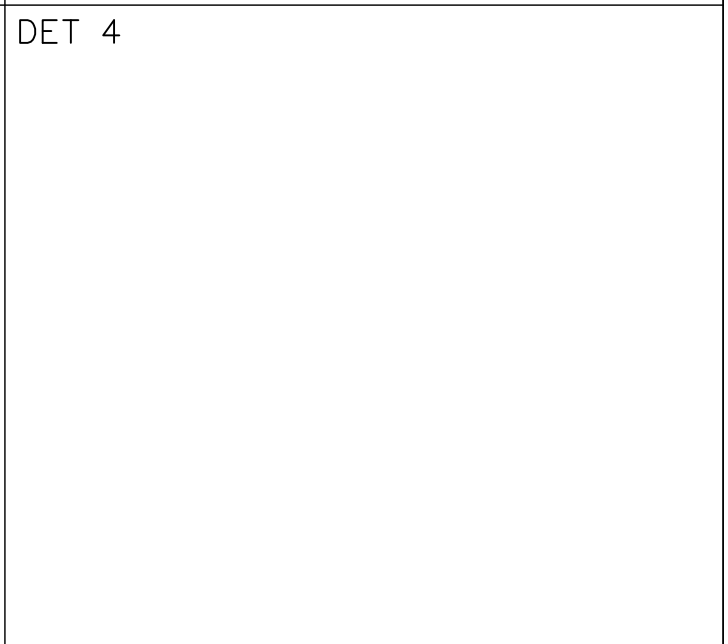
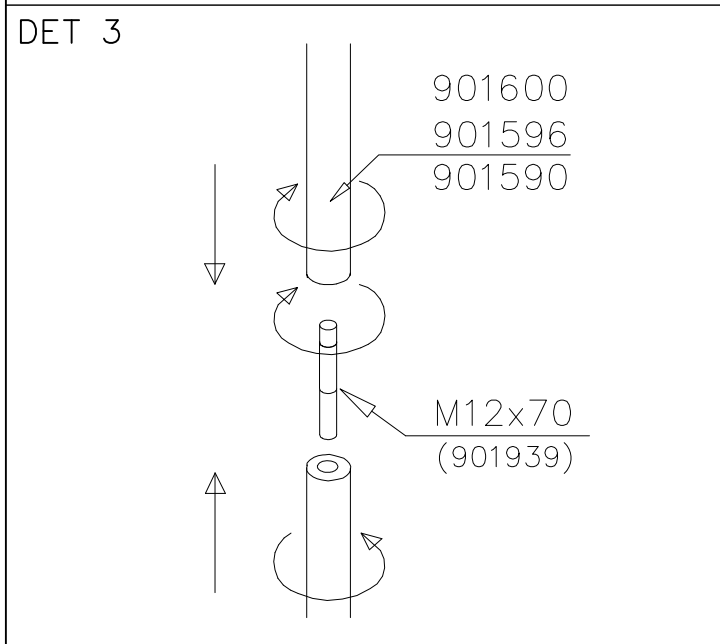
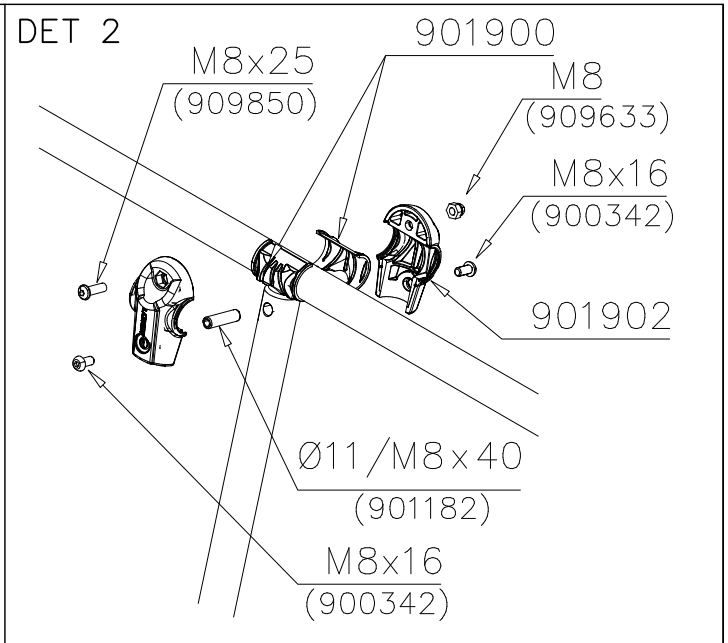
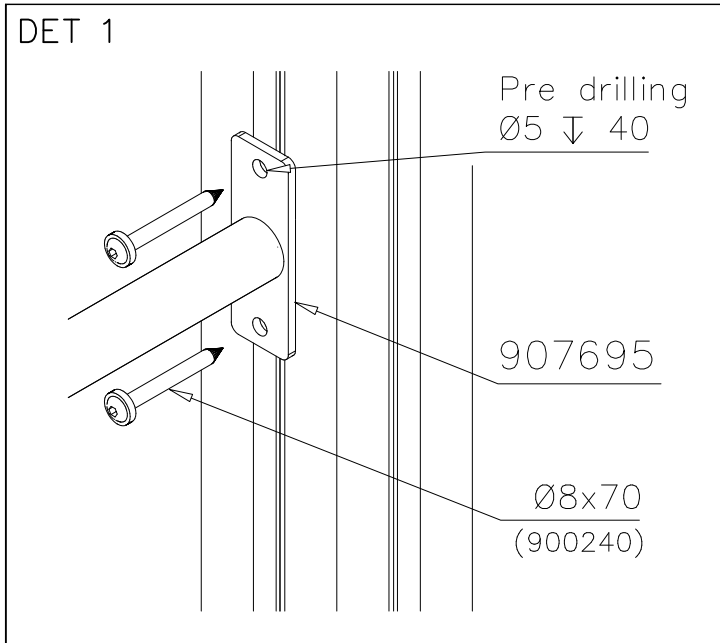


xxxxxx-301	BLUE
xxxxxx-302	RED
xxxxxx-303	BEIGE
xxxxxx-304	GRAY
xxxxxx-305	BLACK
xxxxxx-306	YELLOW

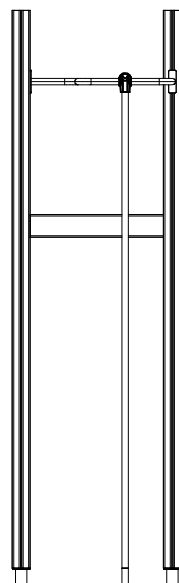




① 900240	PCS 4	② 900342	PCS 2
			
Ø8x70		M8x16	
③ 901900	PCS 2	④ 901939	PCS 1
			
20.5x36.2x56		M12x70	
⑤ 909850	PCS 1	⑥ 980150	PCS 1
			
M8x25		M8	
⑦ 901182	PCS 1		PCS
			
Ø11/M8x40			
	PCS		PCS
		○ 907695	PCS 1
			
○ 907829	PCS 1	○ 907698	PCS 1
			
Ø33,7x1454		Ø33,7x2054	
○ 907817	PCS 1	○ 901902	PCS 2
			
Ø33,7x2554		30.7x60.9x100	



Or
Mirror

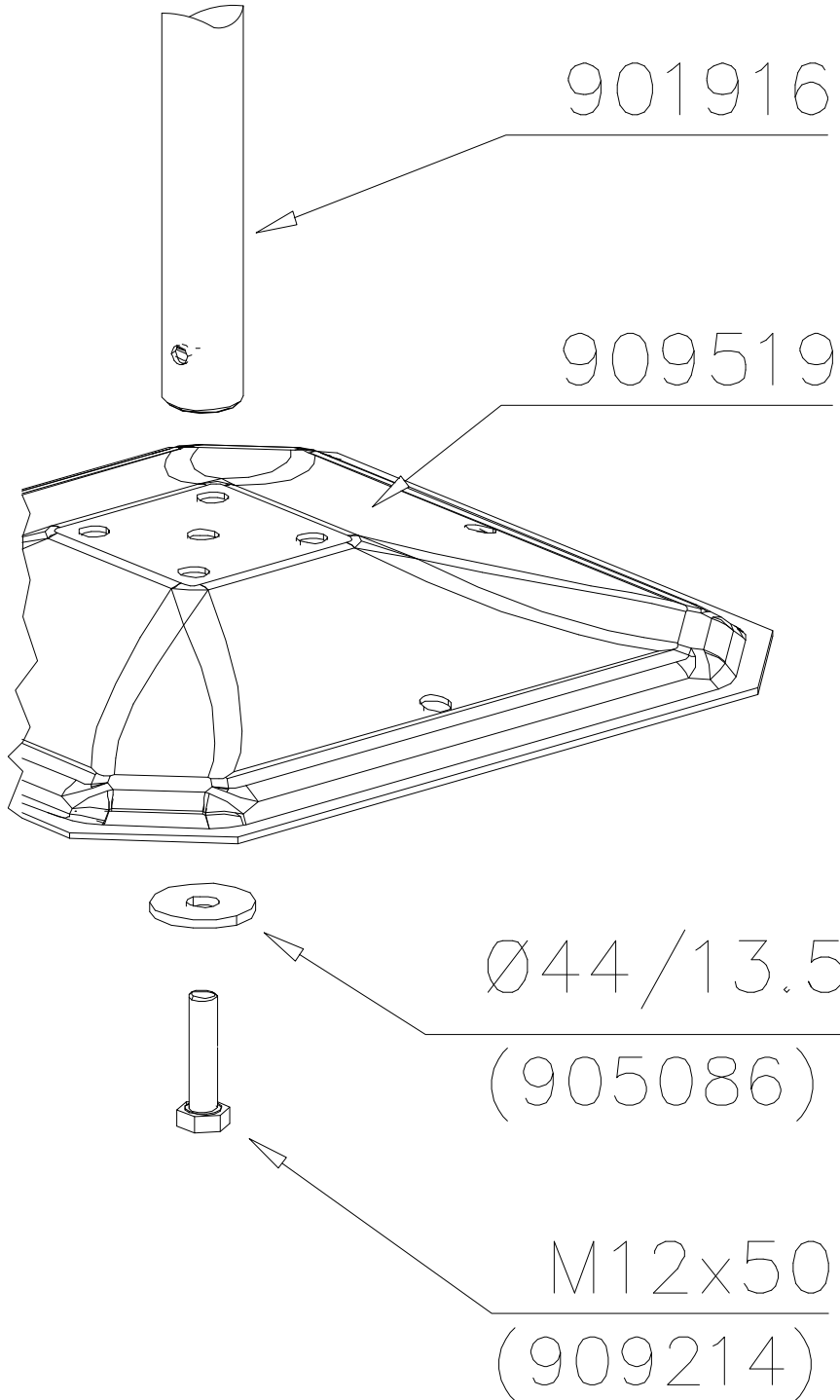
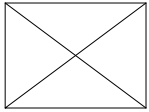


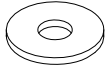
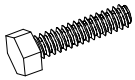
LAPPSET® DEEP FOUNDATION

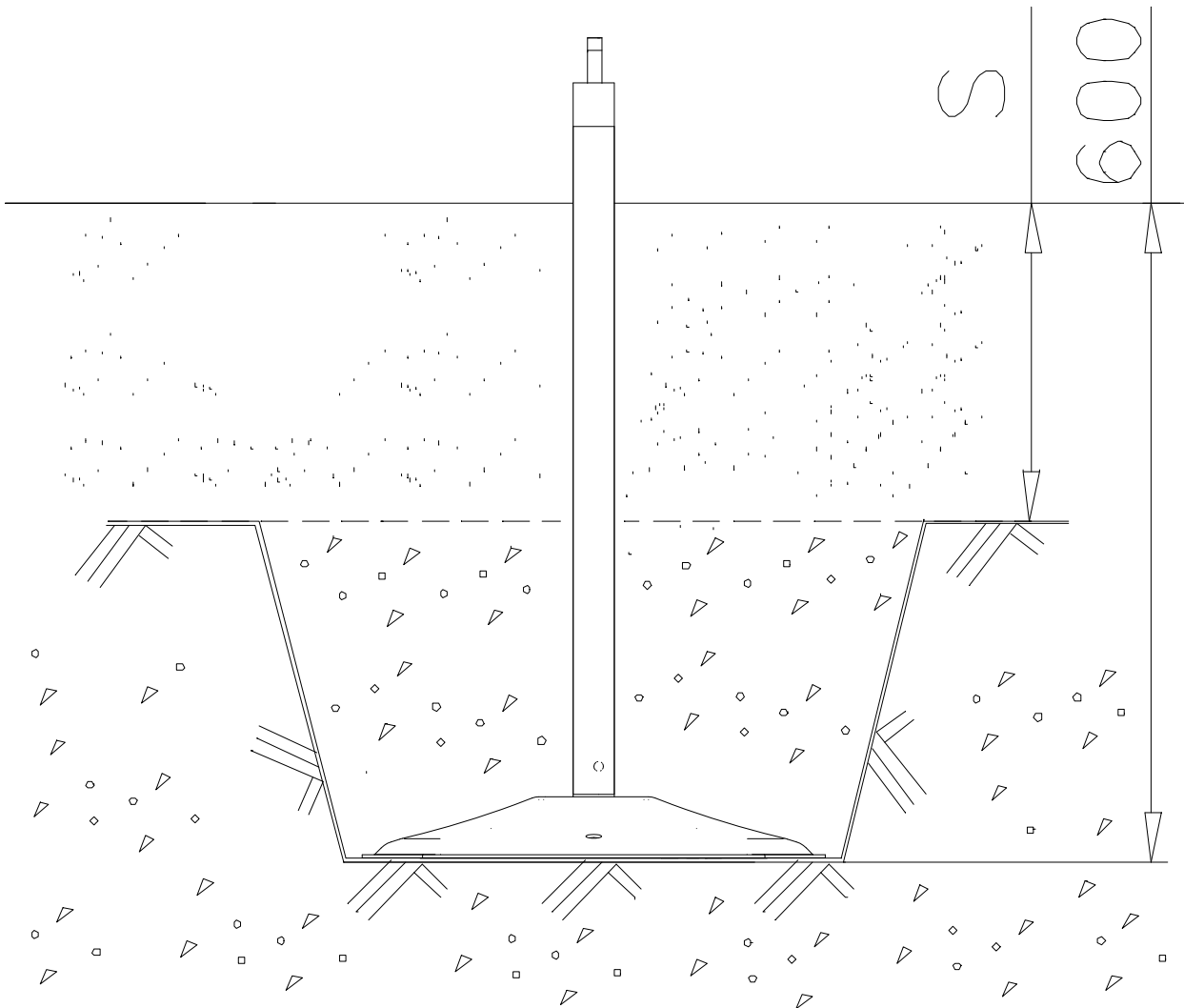
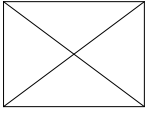
POLE

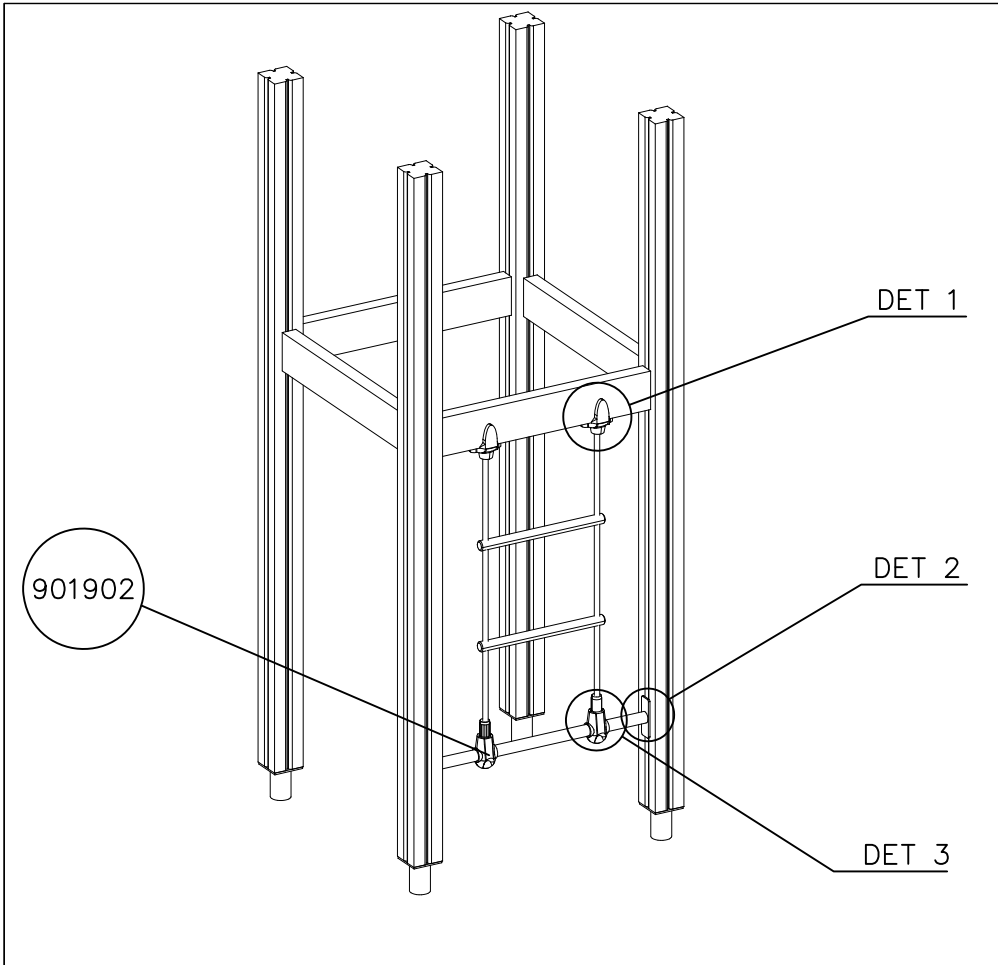
DATE: 15.5.2014



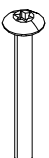
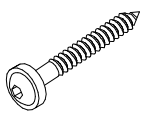
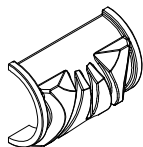
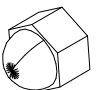
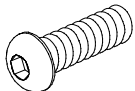
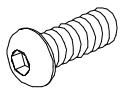
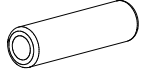
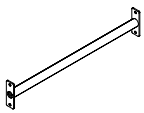
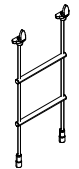
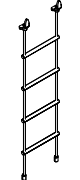
1(1)

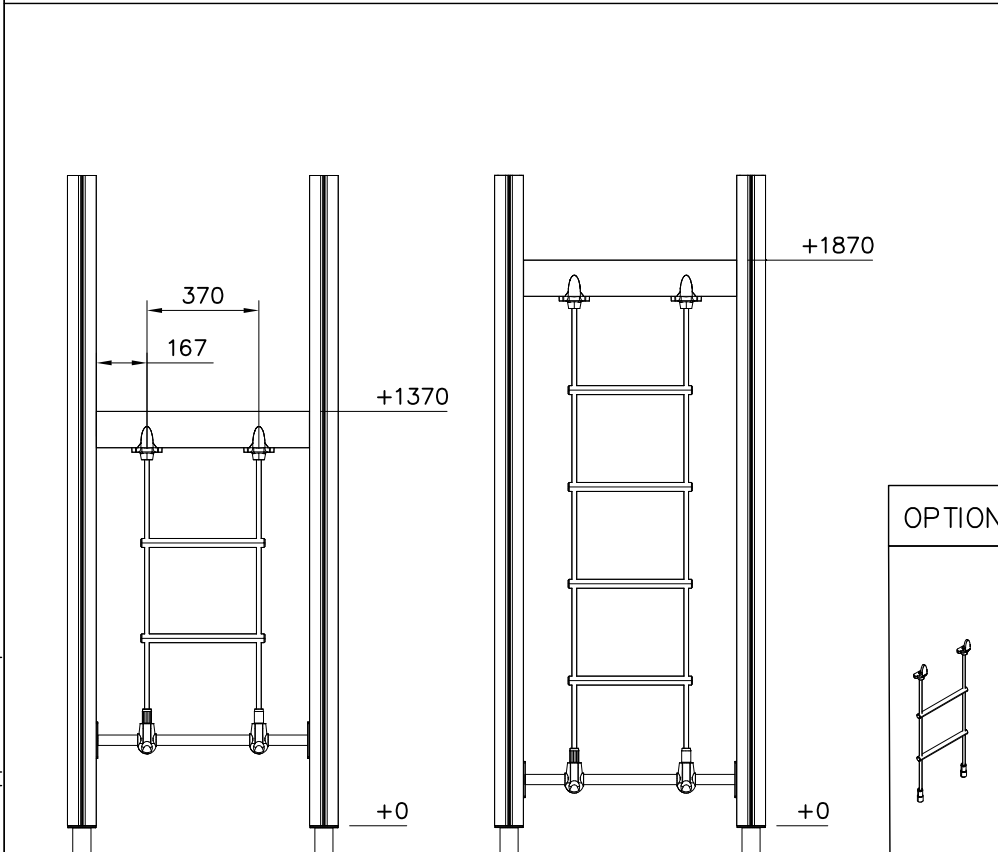


①	905086	PCS	②	909214	PCS
		1			1
	Ø44/13.5		M12x50		
		PCS			PCS
		PCS			PCS
		PCS			PCS
		PCS			PCS
		PCS			PCS
		PCS			PCS
		PCS			PCS
		PCS			PCS

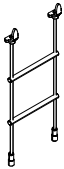
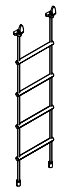




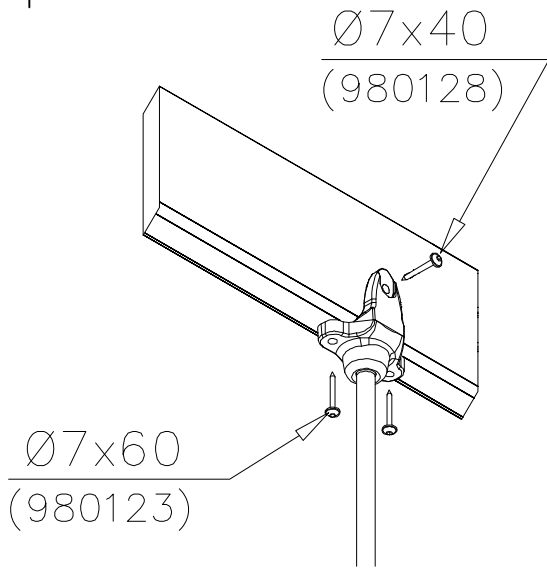
① 901902	PCS 4	② 980128	PCS 2
			
30x61x100		Ø7x40	
③ 980123	PCS 4	④ 900240	PCS 4
			
Ø7x60		Ø8x70	
⑤ 901900	PCS 4	⑥ 909633	PCS 2
			
20.5x36.2x56		M8	
⑦ 909850	PCS 2	⑧ 900342	PCS 4
			
M8x25		M8x16	
⑨ 901182	PCS 2	○ 907694	PCS 1
			
Ø11/M8x40		L 704	
○ 706473	PCS 1	○ 706780	PCS 1
			
+1470		+1970	



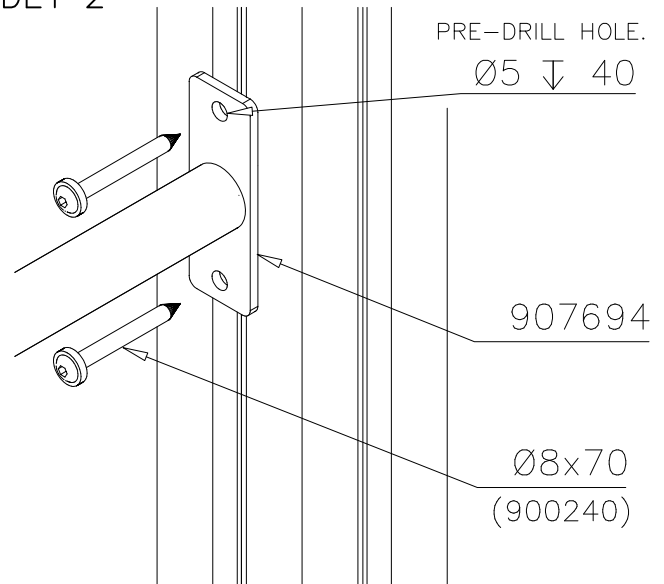
OPTIONS

	-301	BLUE
	-302	RED
	-303	BEIGE
	-304	GRAY
	-305	BLACK
	-306	YELLOW

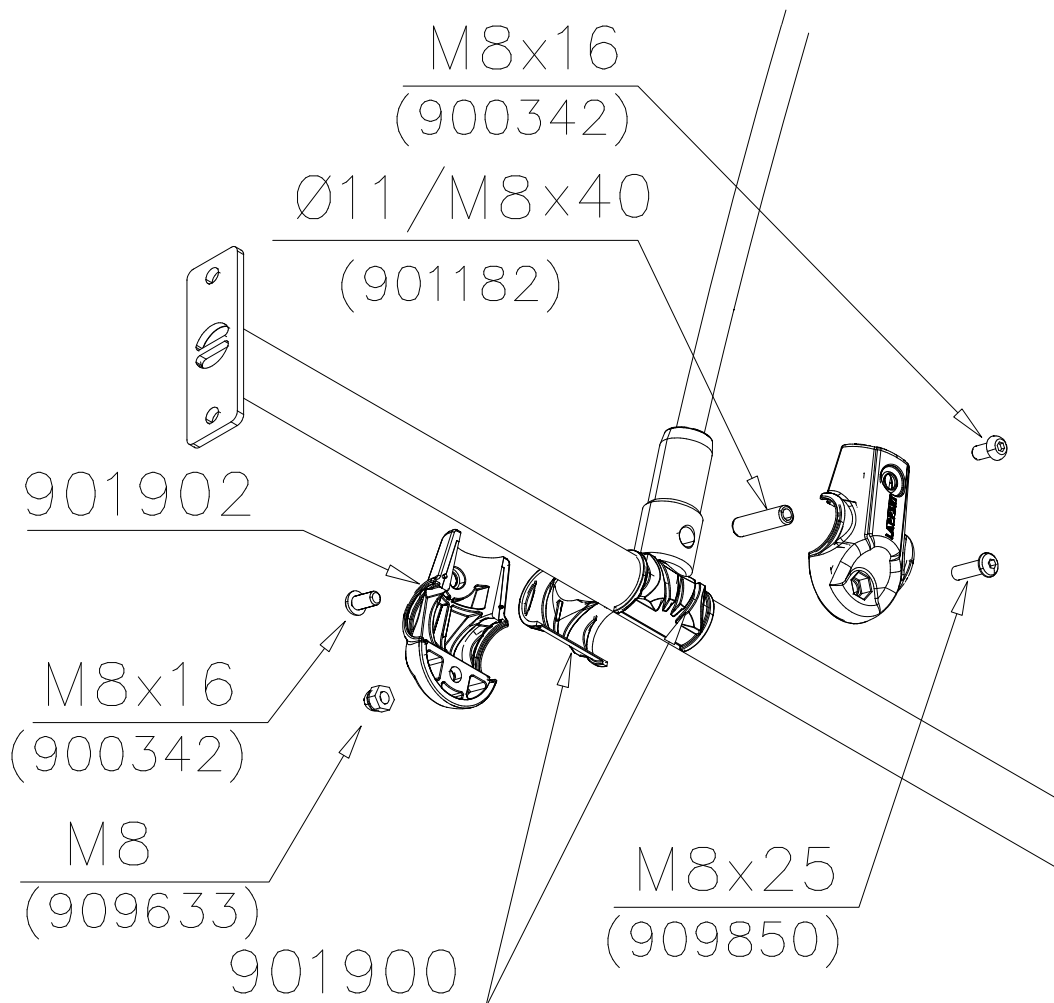
DET 1

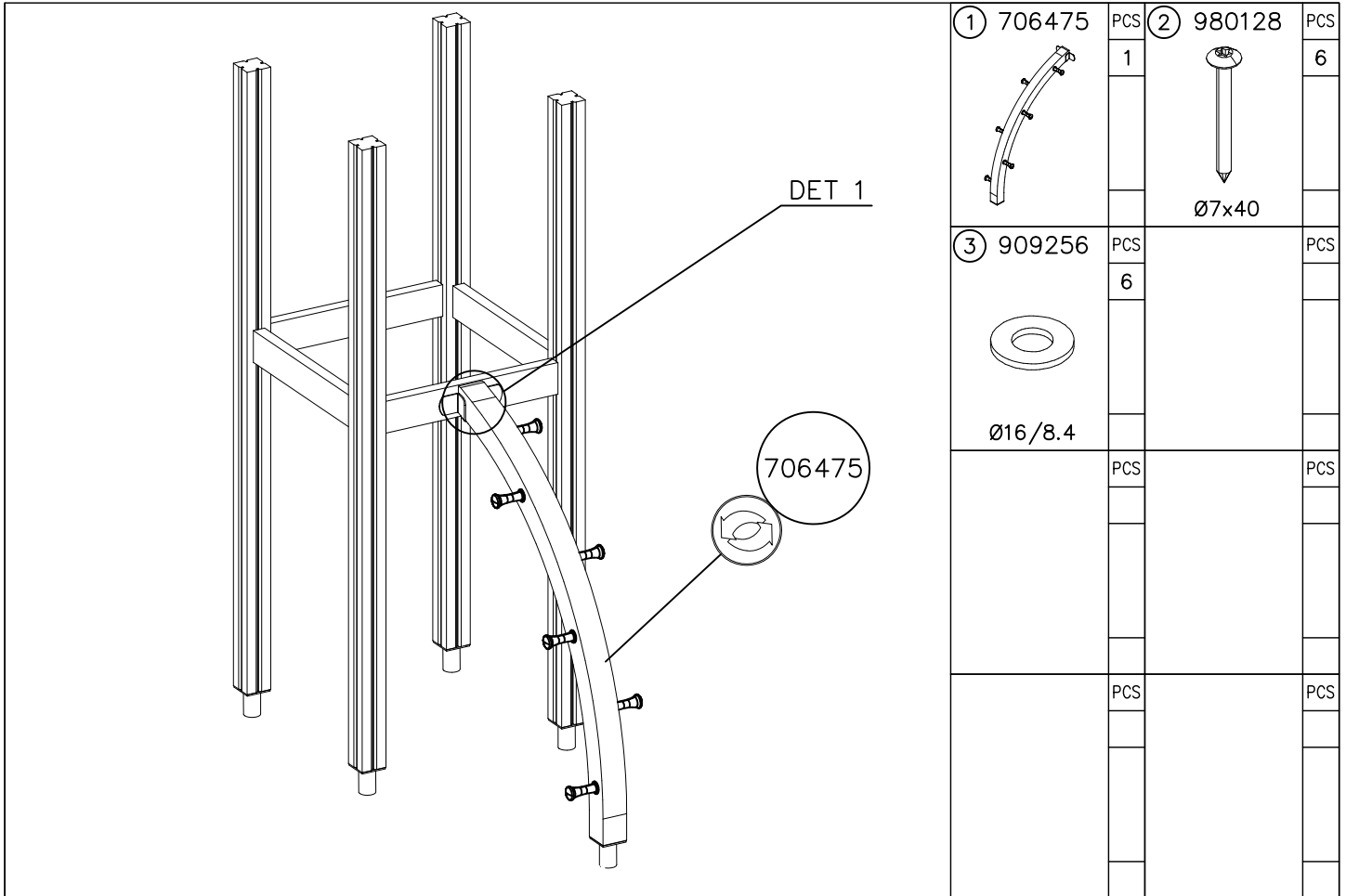


DET 2

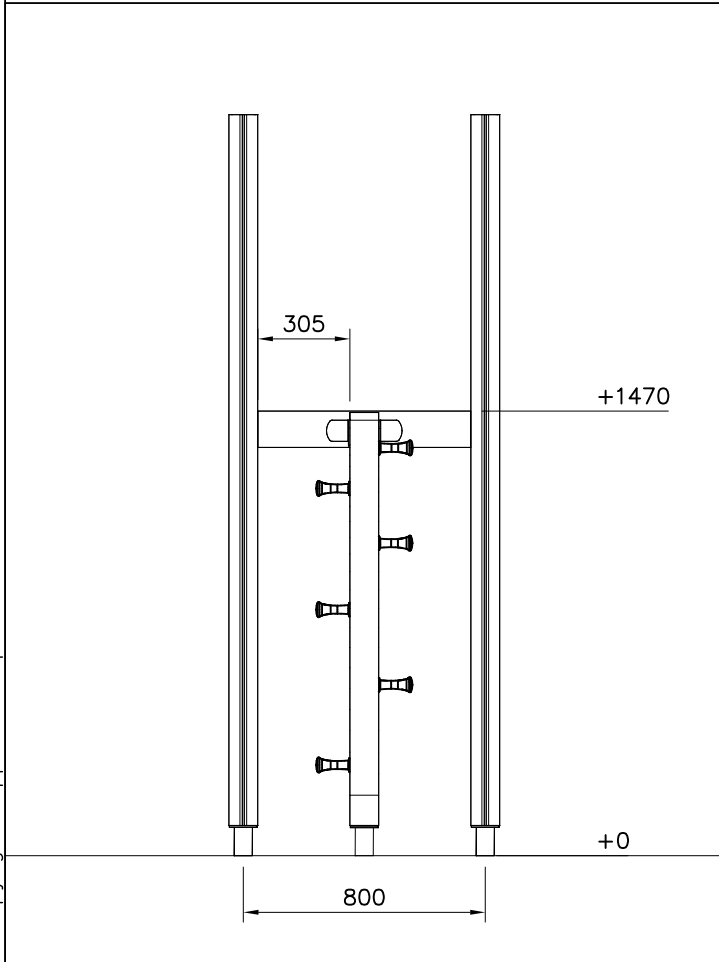


DET 3

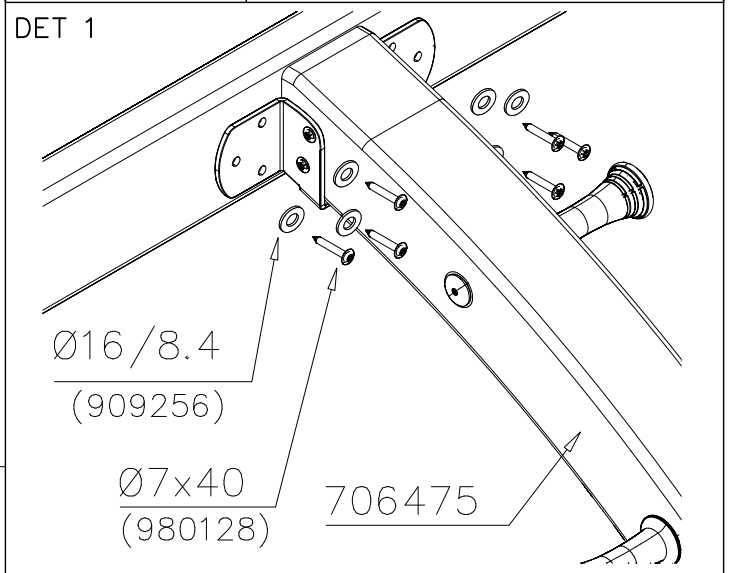


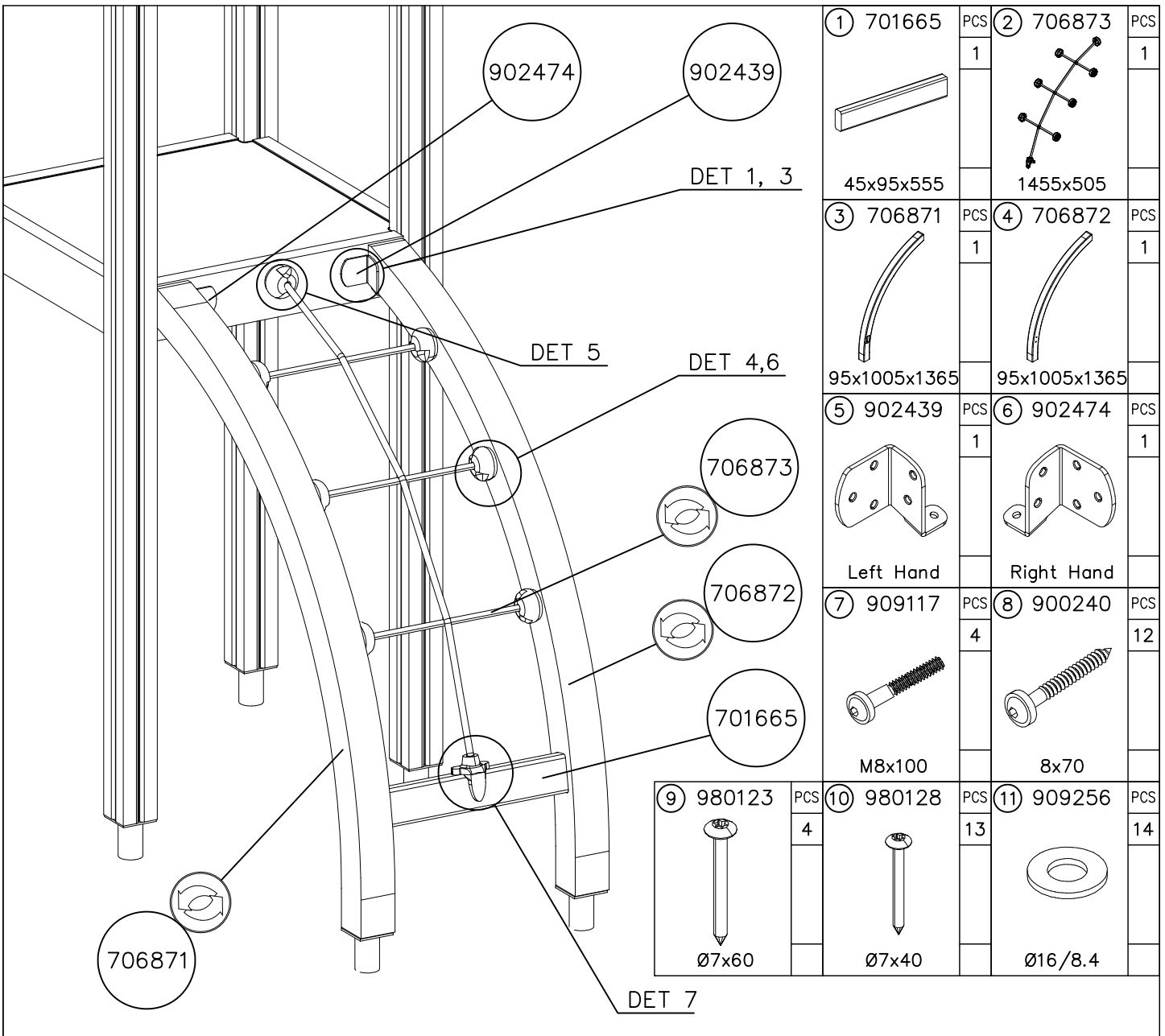


① 706475	PCS	② 980128	PCS
	1		6
		Ø7x40	
③ 909256	PCS		PCS
	6		
		Ø16/8.4	
	PCS		PCS
	PCS		PCS



OPTIONS		
706475	706475-602	DARK BROWN
	706475-603	LIGHT BROWN
	706475-604	LIGHT GRAY

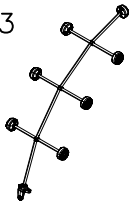




① 701665	PCS	② 706873	PCS		
	1		1		
45x95x555		1455x505			
③ 706871	PCS	④ 706872	PCS		
	1		1		
95x1005x1365		95x1005x1365			
⑤ 902439	PCS	⑥ 902474	PCS		
	1		1		
Left Hand		Right Hand			
⑦ 909117	PCS	⑧ 900240	PCS		
	4		12		
M8x100		8x70			
⑨ 980123	PCS	⑩ 980128	PCS	⑪ 909256	PCS
	4		13		14
Ø7x60		Ø7x40		Ø16/8.4	

NET OPTIONS

706873



1455x505

706873-301	BLUE
706873-302	RED
706873-303	BEIGE
706873-304	GRAY
706873-305	BLACK
706873-306	YELLOW

BOOM OPTIONS

706871



95x1005x1365

706871-602	DARK BROWN
706871-603	LIGHT BROWN
706871-604	LIGHT GRAY

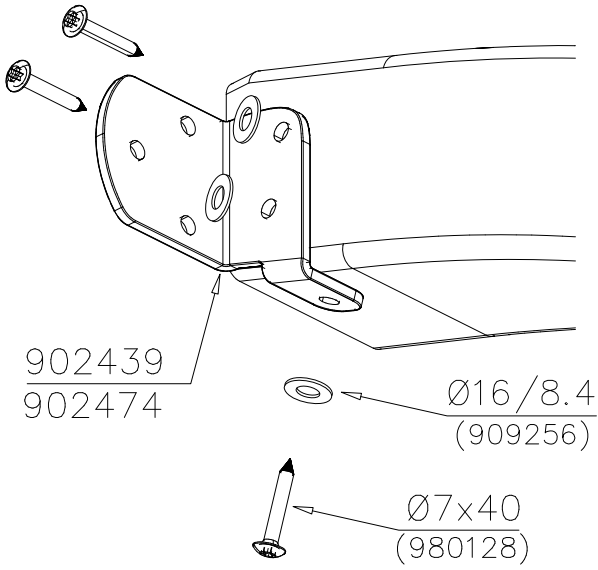
706872



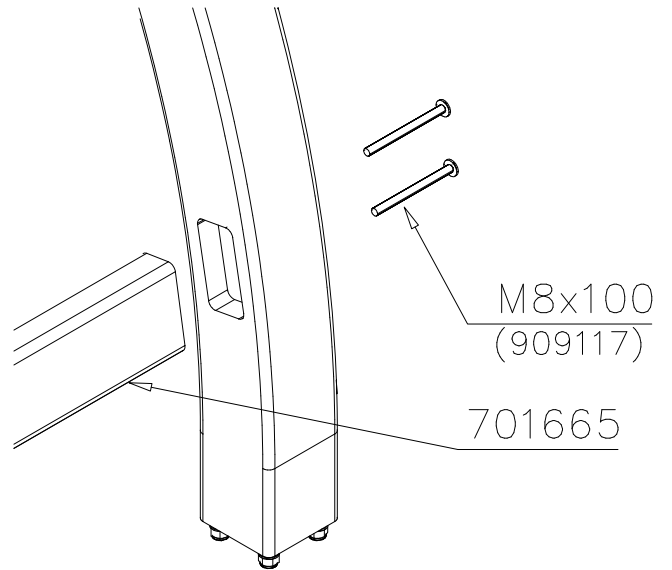
95x1005x1365

706872-602	DARK BROWN
706872-603	LIGHT BROWN
706872-604	LIGHT GRAY

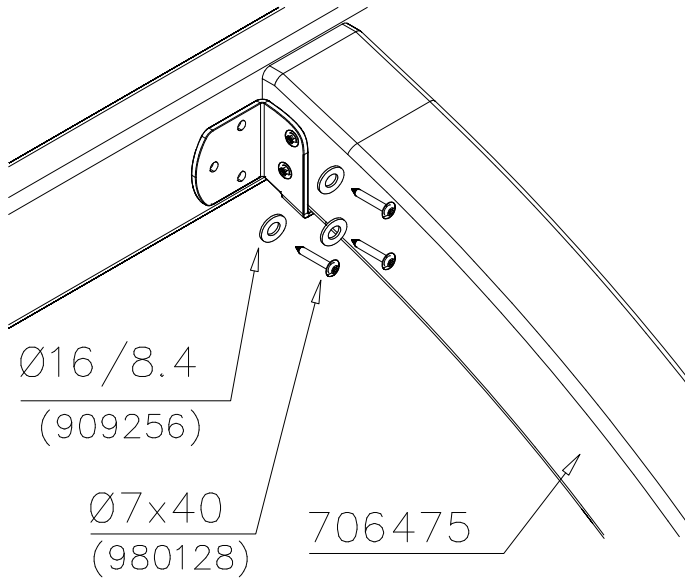
DET 1



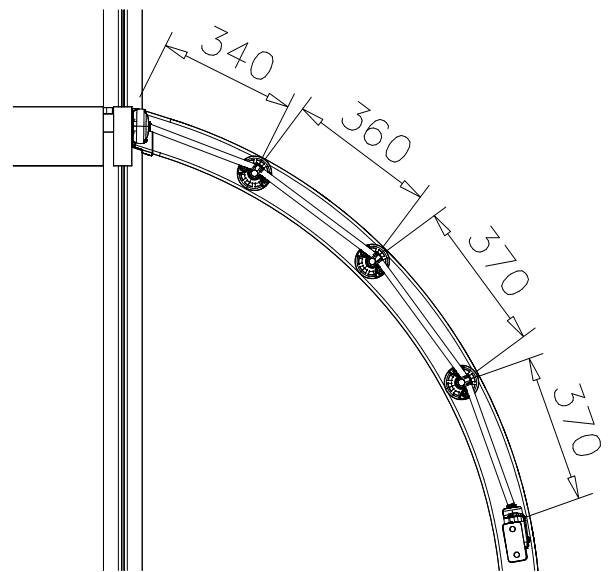
DET 2



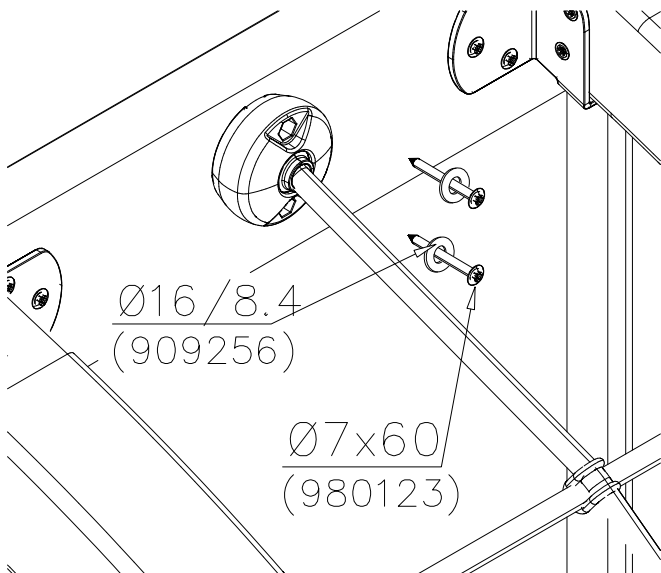
DET 3



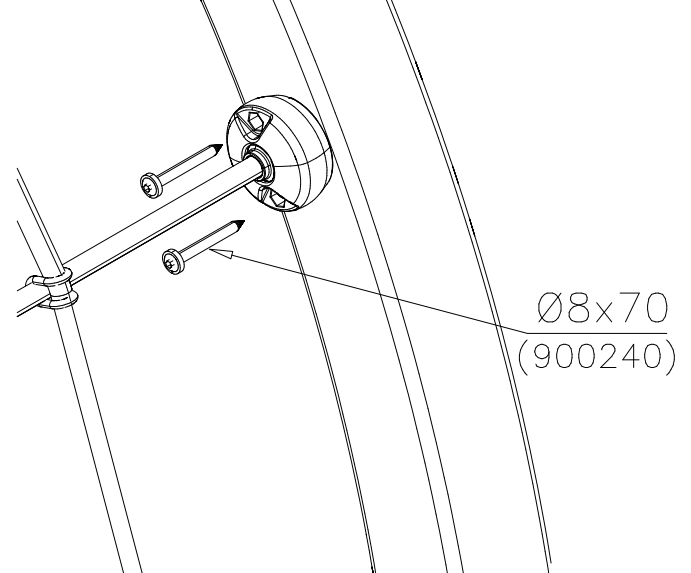
DET 4



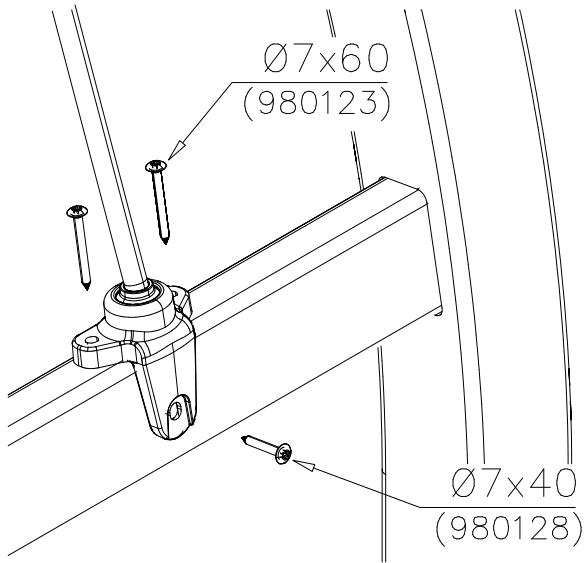
DET 5



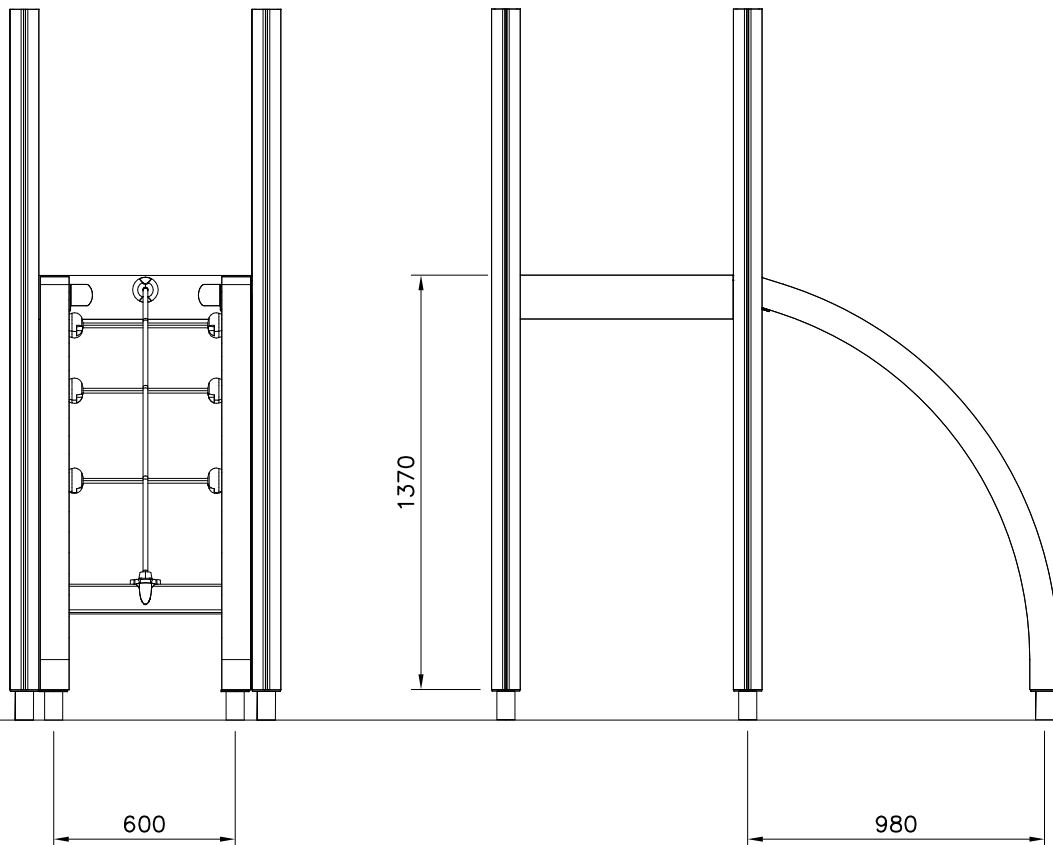
DET 6

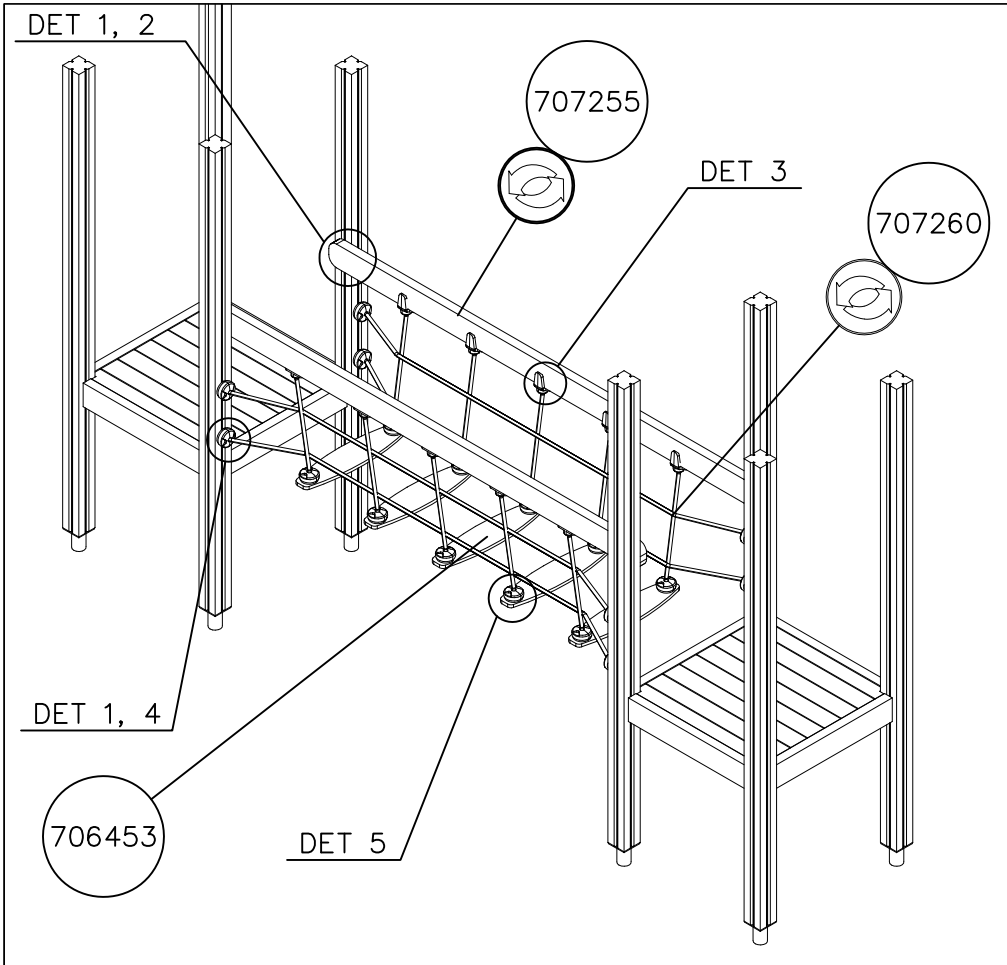


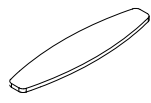
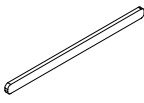
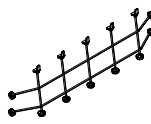
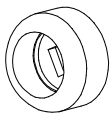
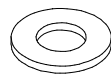

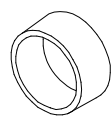

DET 7

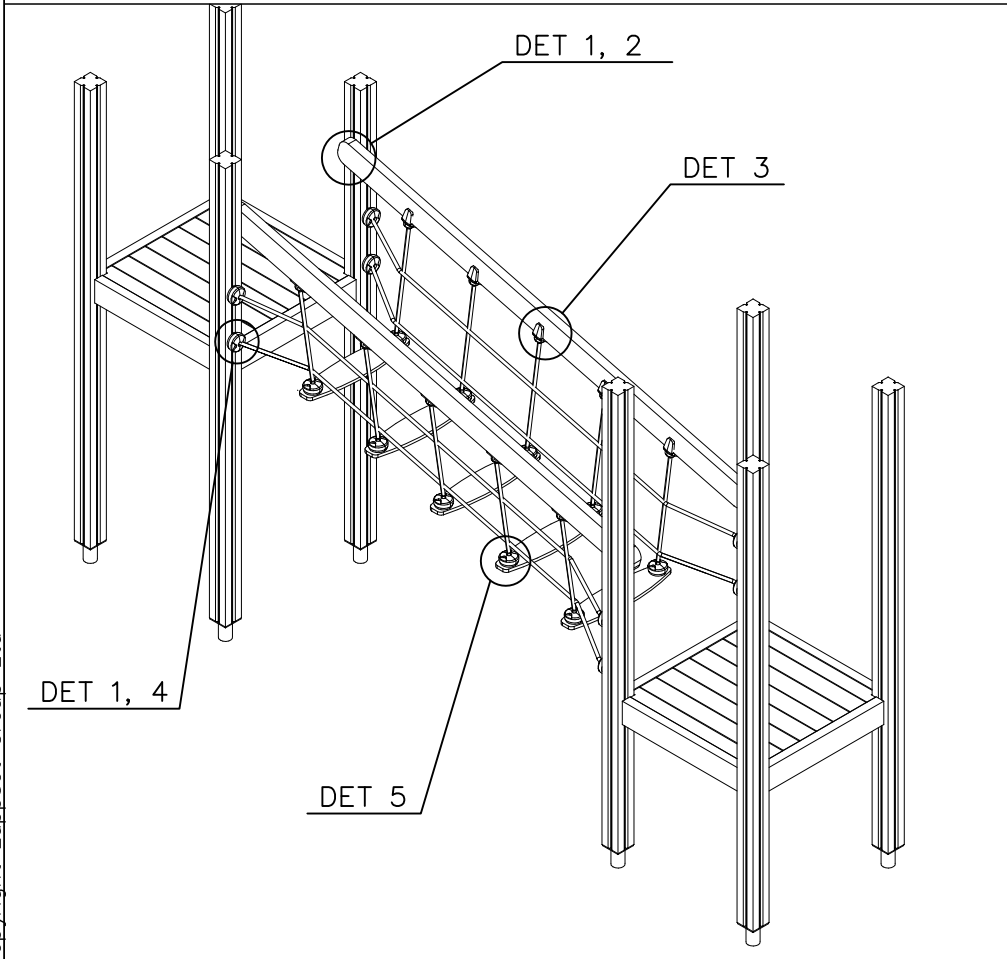



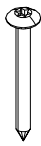
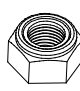
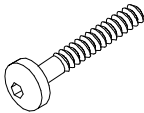
DET 8

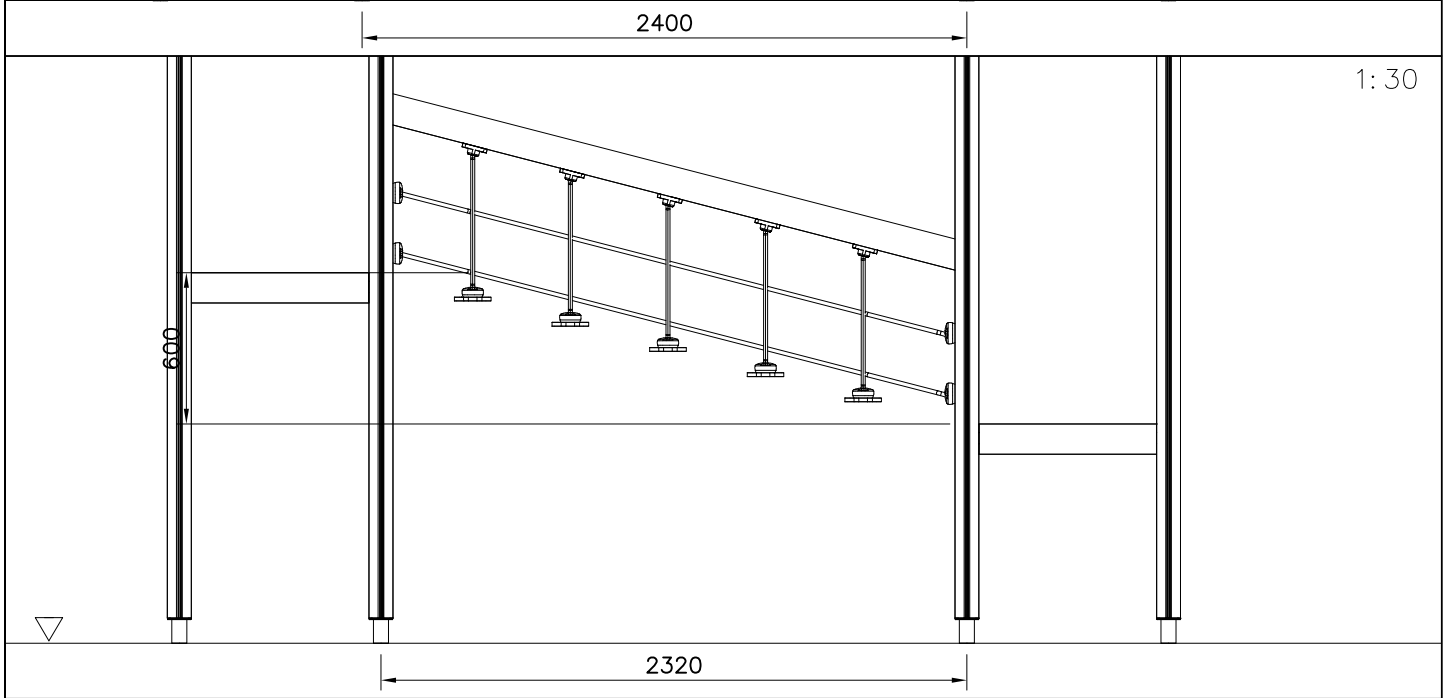
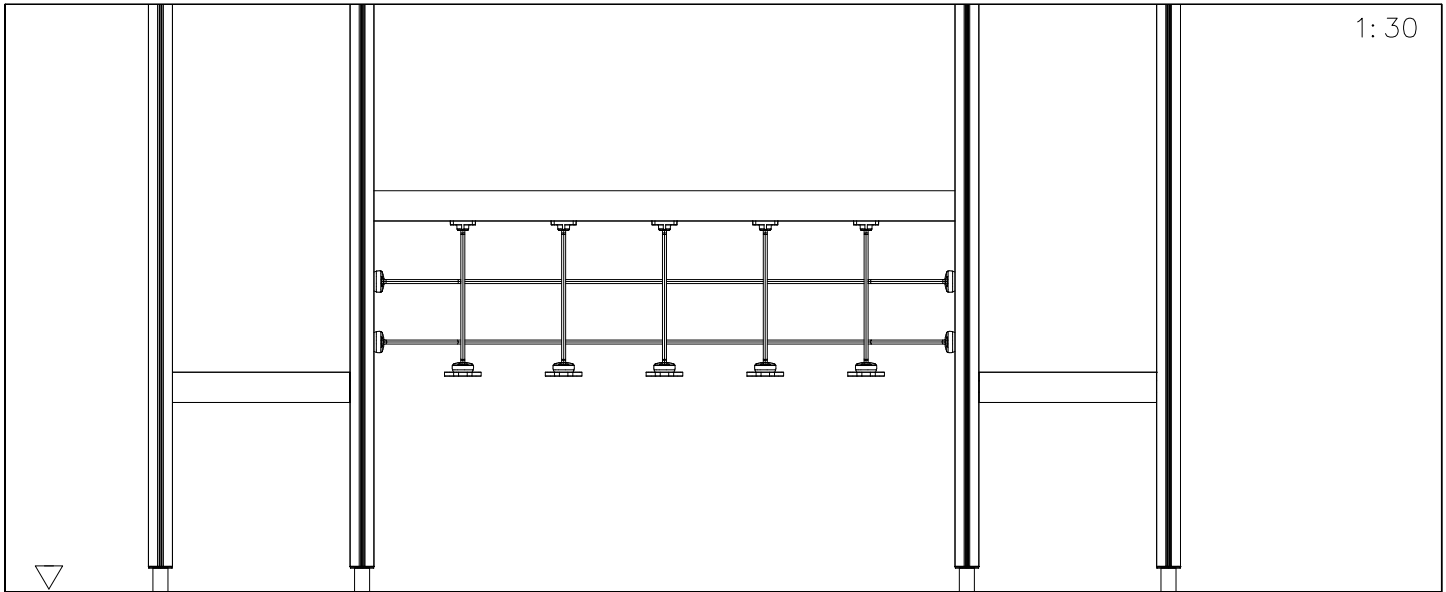




① 706453	PCS	② 707255	PCS
	5		2
15x145x600		45x120x2480	
③ 707260	PCS	④ 905083	PCS
	2		4
2375x600		Ø32	
⑤ 980151	PCS	⑥ 909232	PCS
	4		4
Ø16/8.4		8x120	
⑦ 905112	PCS	⑧ 900240	PCS
	4		16
Ø22		Ø8x70	

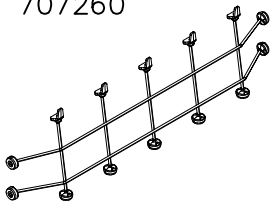


⑨ 980123	PCS	⑩ 980128	PCS
	20		10
Ø7x60		Ø7x40	
⑪ 980150	PCS	⑫ 901899	PCS
	20		20
M8		M8x45	
	PCS		PCS
	PCS		PCS



NET OPTIONS

707260

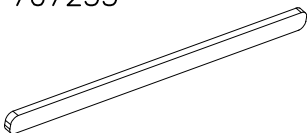


2375x600

- 707260-301 BLUE
- 707260-302 RED
- 707260-303 BEIGE
- 707260-304 GRAY
- 707260-305 BLACK
- 707260-306 YELLOW

RAILING OPTIONS

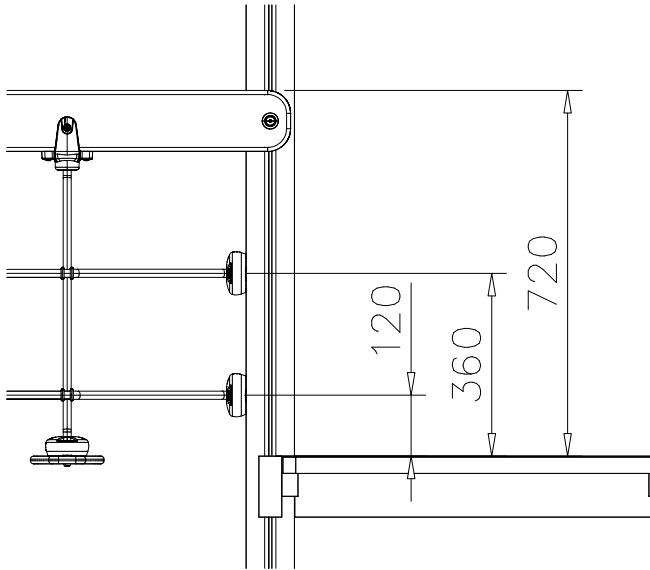
707255



45x120x2480

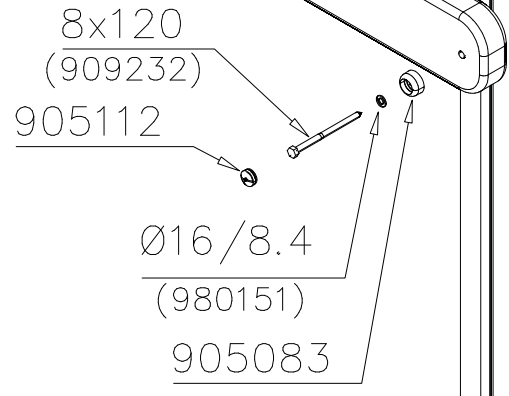
- | | |
|----------------------|-------------------|
| 707255-605 DARK GRAY | 707255-609 GREEN |
| 707255-606 GRAY | 707255-610 YELLOW |
| 707255-607 RED | 707255-611 LIME |
| 707255-608 BLUE | 707255-612 FUXIA |

DET 1

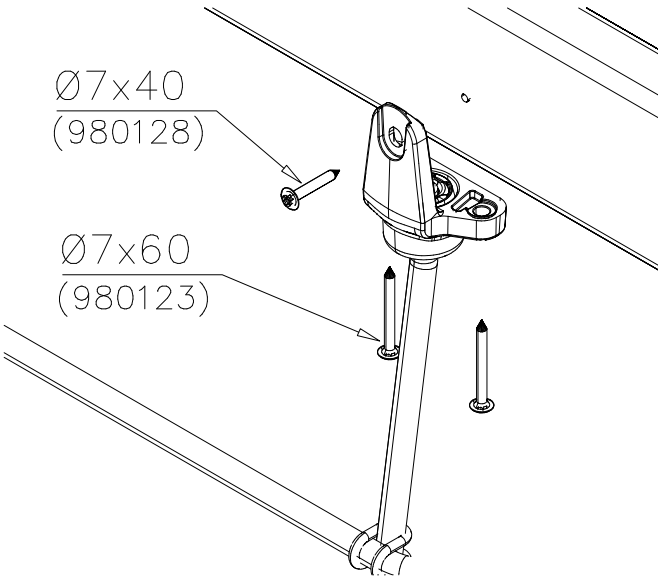


DET 2

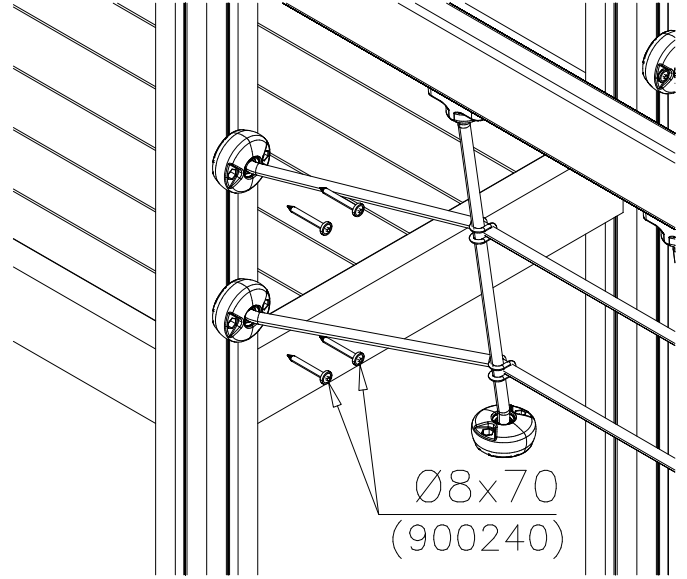
Note:
in side
Bridge



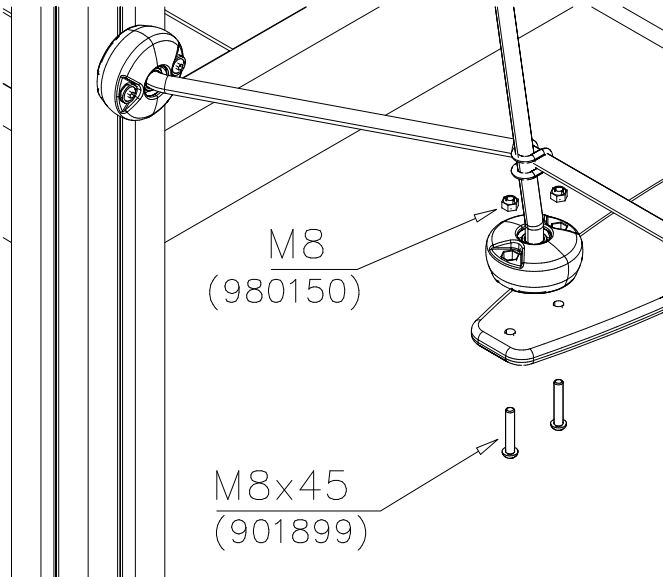
DET 3



DET 4

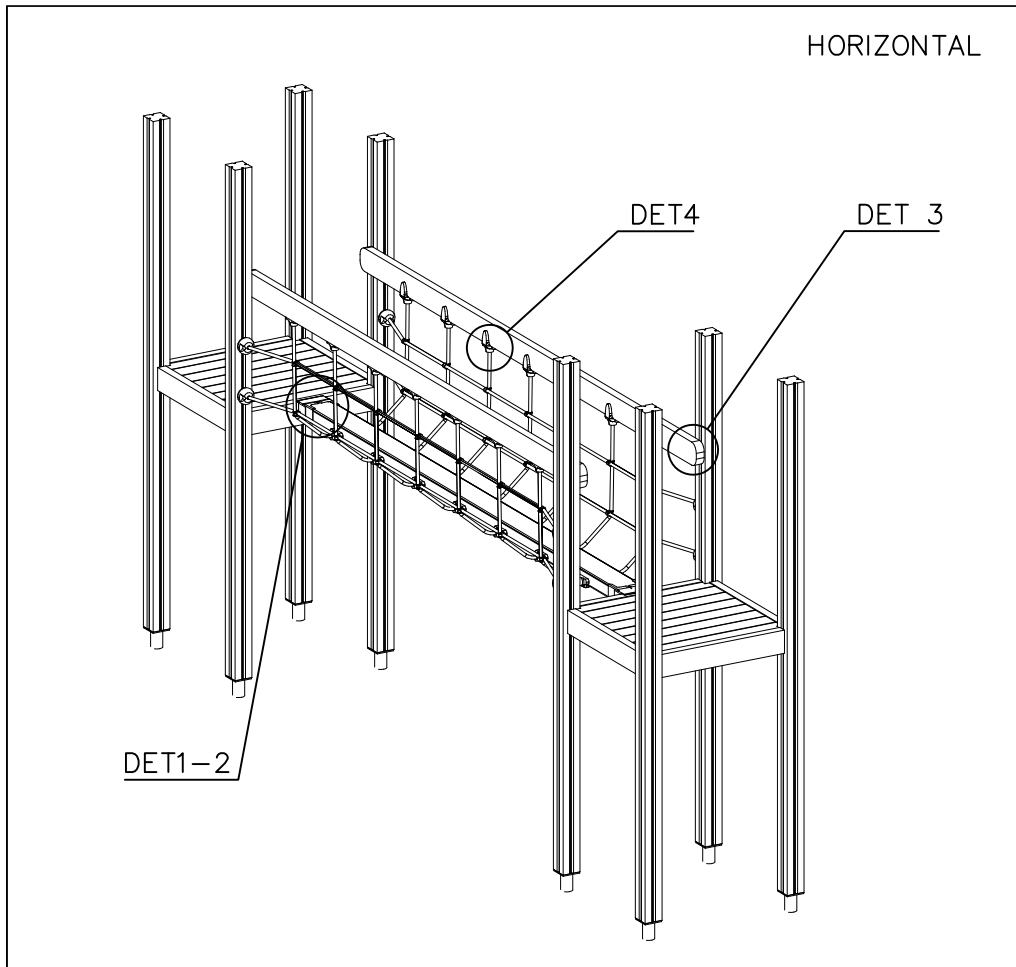





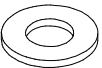

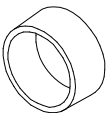
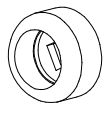
DET 5

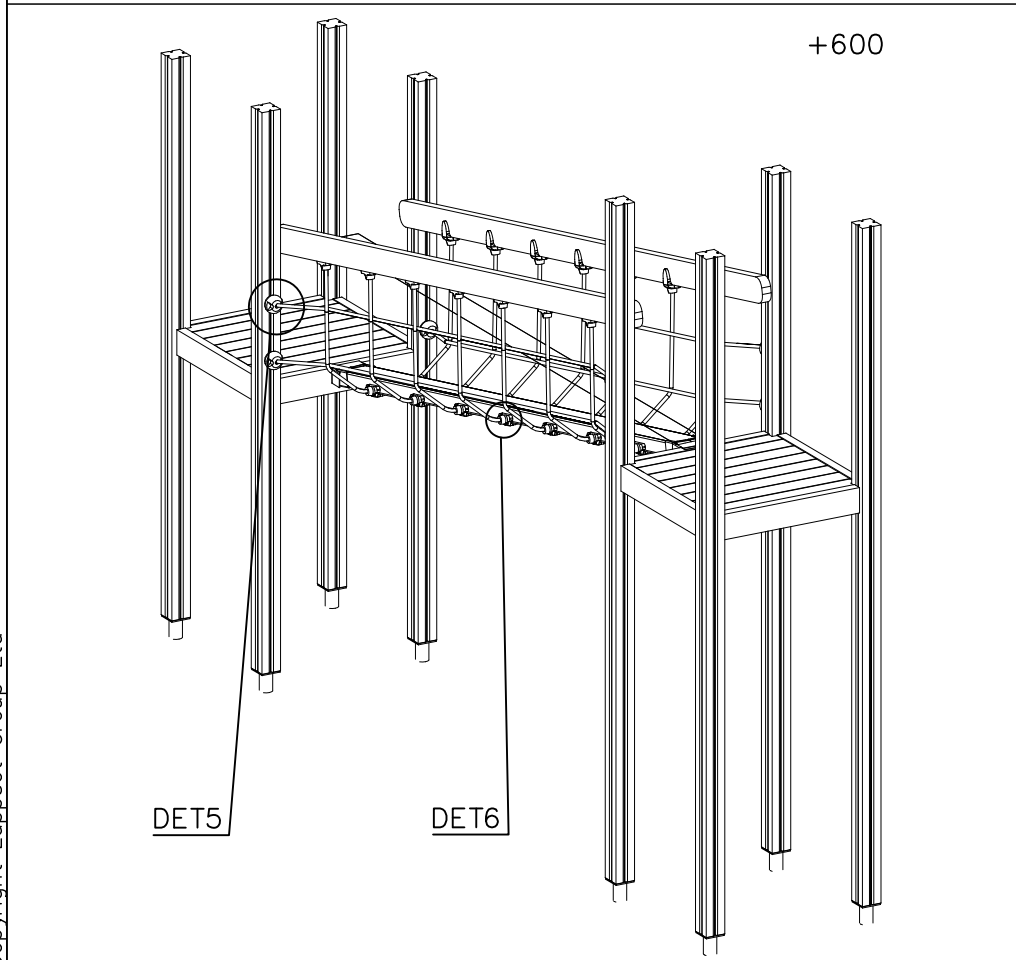



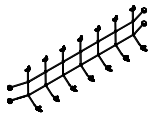

DET 6

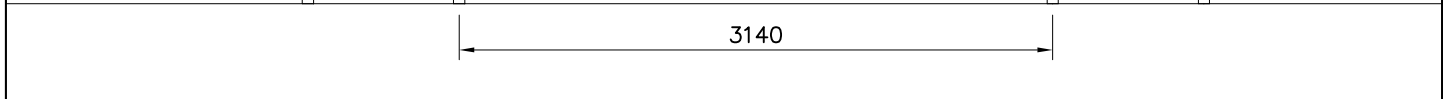
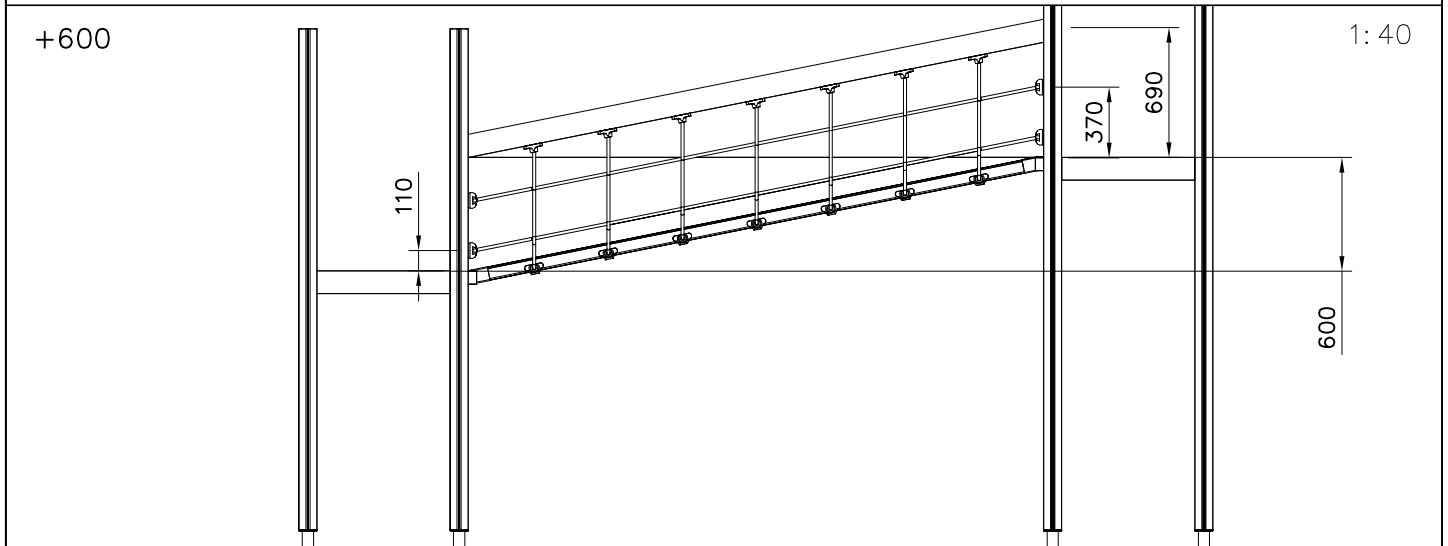
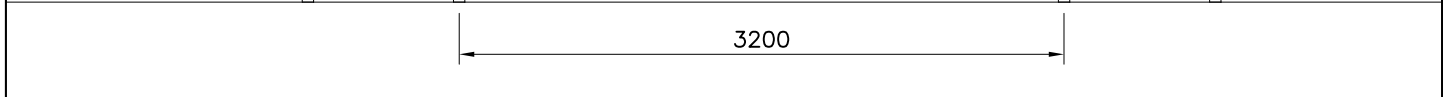
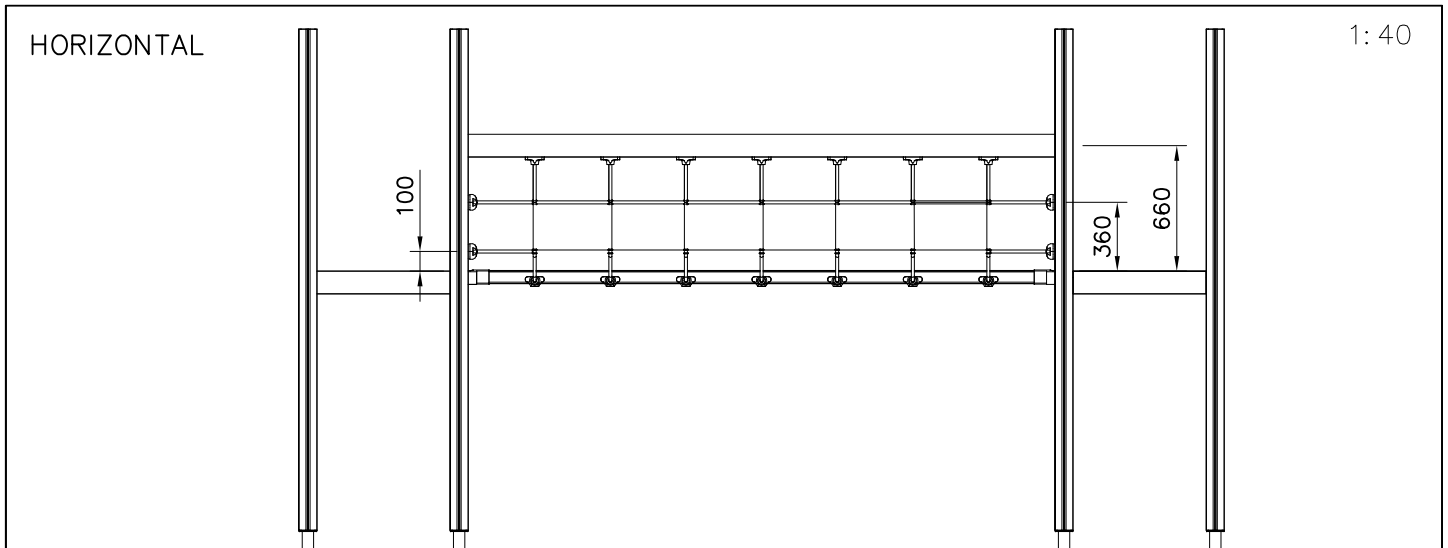




①	980123	PCS	②	909232	PCS
		56			4
	Ø7x60			8x120	
③	980128	PCS	④	980151	PCS
		36			4
	Ø7x40			Ø16/8.4	
⑤	900240	PCS	⑥	905112	PCS
		16			8
	8x70			Ø22	
⑦	905083	PCS			PCS
		4			
	Ø32				

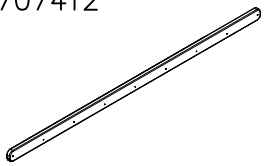


		PCS			PCS
○	707412	PCS	○	707413	PCS
		2			2
	45x120x3280			3140x800	
○	707415	PCS			PCS
		1			



BOOM OPTIONS

707412



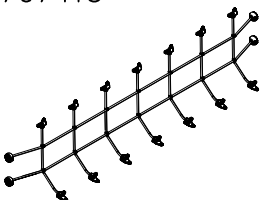
45x120x3280

- 602 DARK BROWN
- 603 LIGHT BROWN
- 604 LIGHT GRAY
- 605 DARK GRAY
- 606 GRAY
- 607 RED

- 608 BLUE
- 609 GREEN
- 610 YELLOW
- 611 LIME
- 612 FUXIA

NET OPTIONS

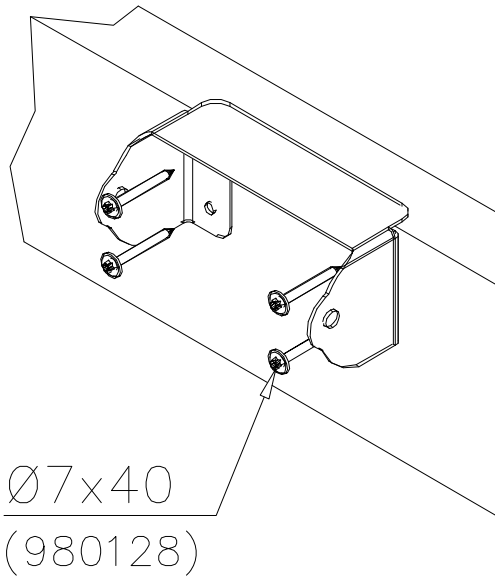
707413



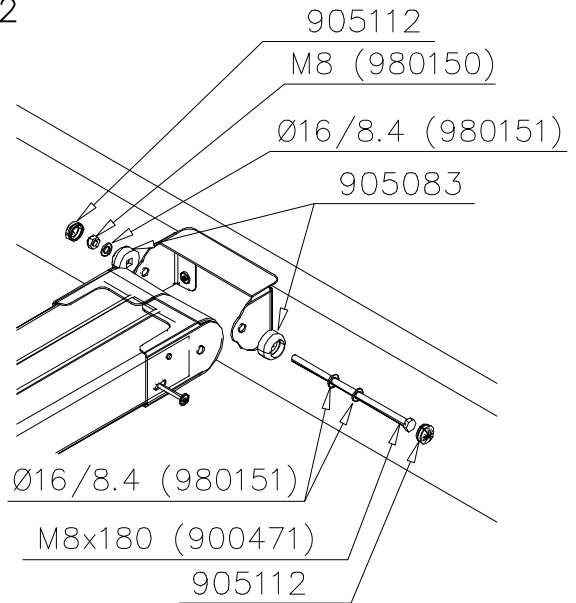
3140x800

- 301 BLUE
- 302 RED
- 303 BEIGE
- 304 GRAY
- 305 BLACK
- 306 YELLOW

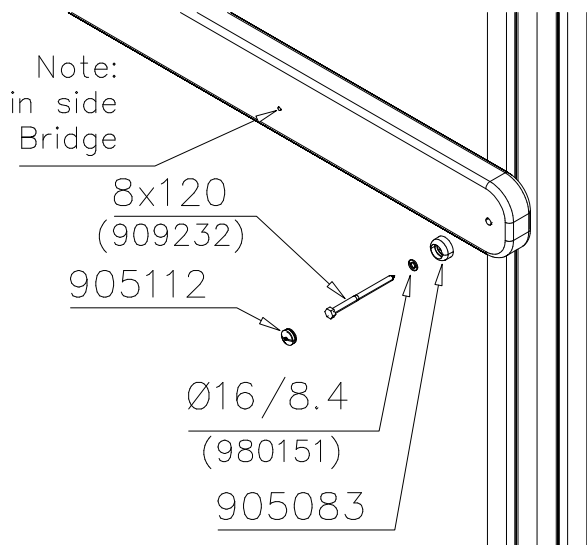
DET 1



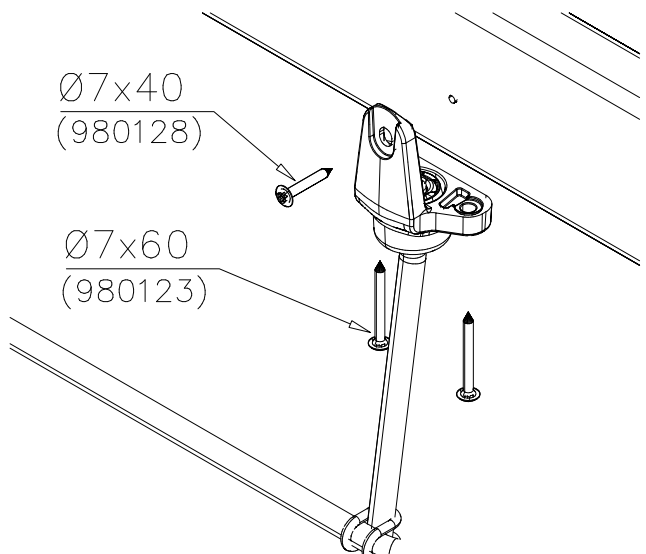
DET 2



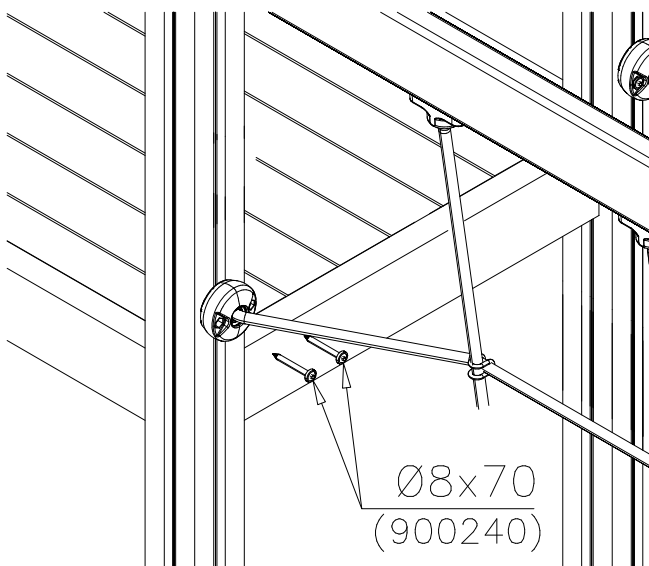
DET 3



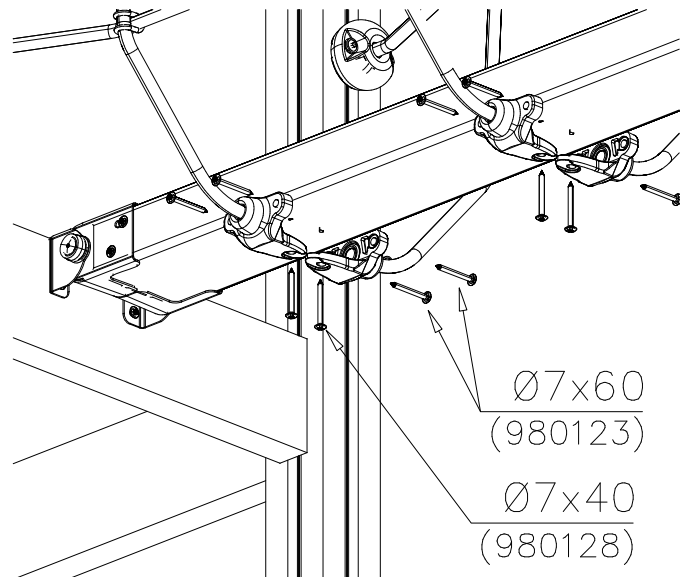
DET 4



DET 5



DET 6



DET 1,2

*Note:
No gaps between:
8–25mm
89–230mm

① 903176	PCS	② 909850	PCS
	4		4
		M8x25	
③ 909256	PCS	④ 909633	PCS
	8		4
Ø16/8.4x1.6		M8	
⑤ 980123	PCS		PCS
	4		
Ø7x60			

800

80

*Note

800

80

*Note

COLOR OPTIONS	
-701	BLUE
-702	YELLOW
-703	LIME
-704	DARK GRAY
-705	LIGHT GRAY
-706	RED
-707	GREEN
-708	FUXIA

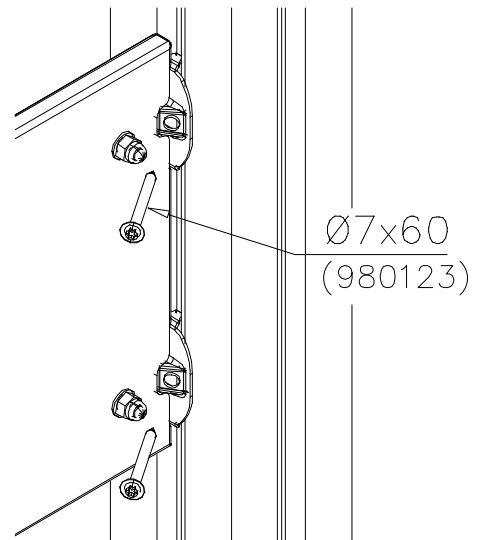
GAME WALL OPTIONS

706766	706772	706308	707453
			
640x702	640x702	640x702	640x702
707209	705705	707433	707386
			
640x702	640x702	640x702	640x702
709403	709358	709405	
			
640x702	640x702	420x702	

DET 1



DET 2

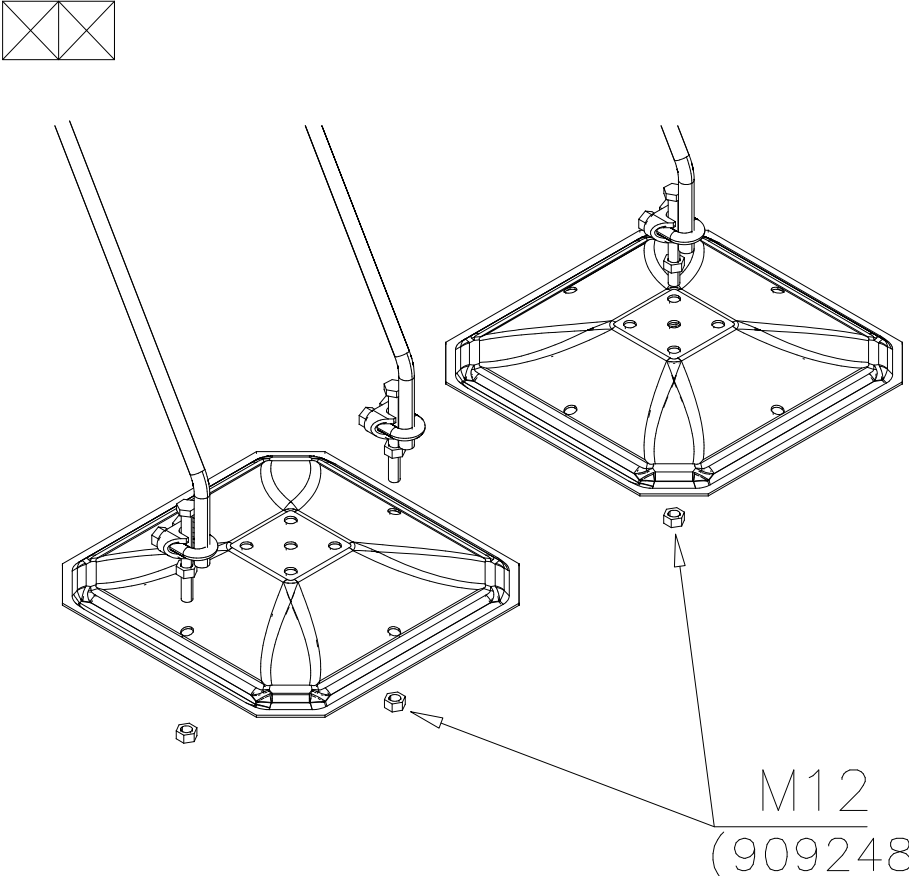



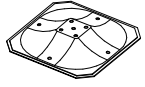
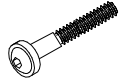


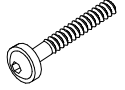
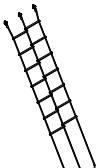
LAPPSET® DEEP FOUNDATION

ROPE LADDER

DATE: 19.1.2017

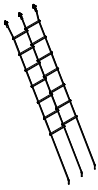
1(3)



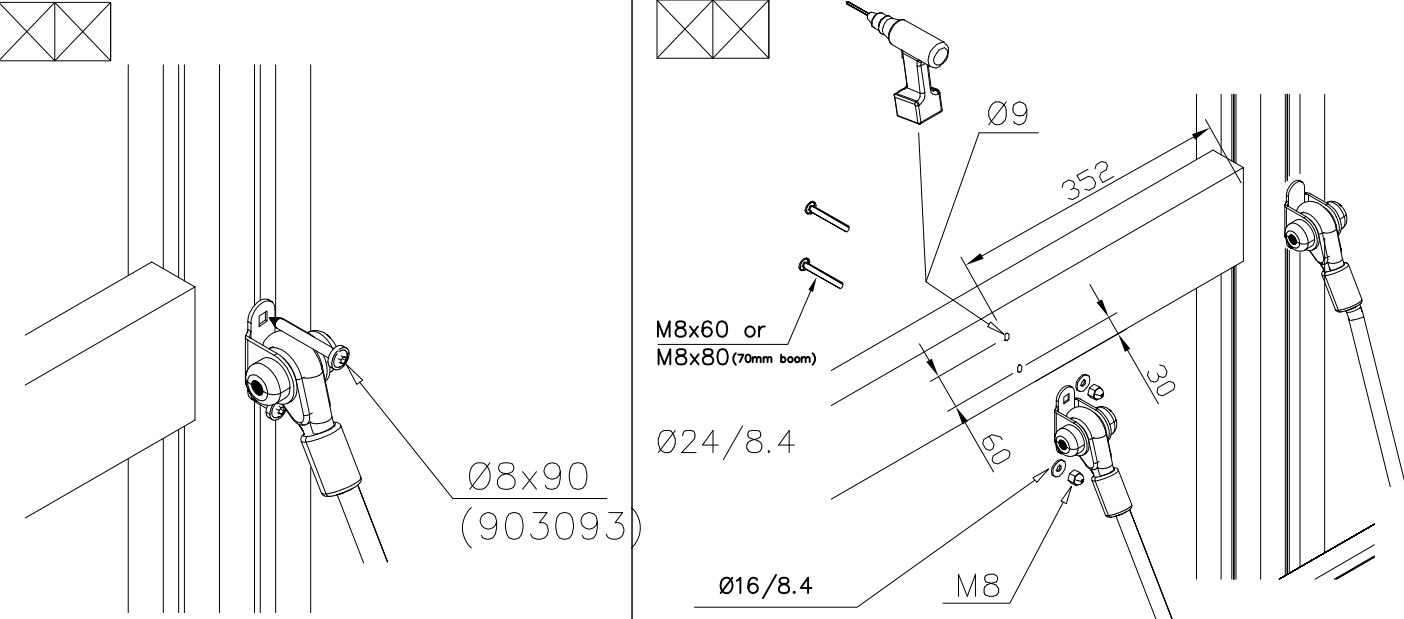
① 909256	PCS	② 909519	PCS
	2		2
Ø16/8.4x1.6		50x380x380	
③ 909866	PCS	④ 909633	PCS
	2		2
M8x60		M8	
⑤ 903093	PCS	⑤ 901104	PCS
	4		2
Ø8x90		M8x80	
	PCS	○ 707395	PCS
			1
		+2570	

M12
(909248)

ROPE LADDER COLOR OPTIONS



xxxxxx-301	BLUE
xxxxxx-302	RED
xxxxxx-303	BEIGE
xxxxxx-304	GRAY
xxxxxx-305	BLACK
xxxxxx-306	YELLOW



Ø8x90
(903093)

M8x60 or
M8x80 (70mm boom)

Ø24/8.4

Ø16/8.4

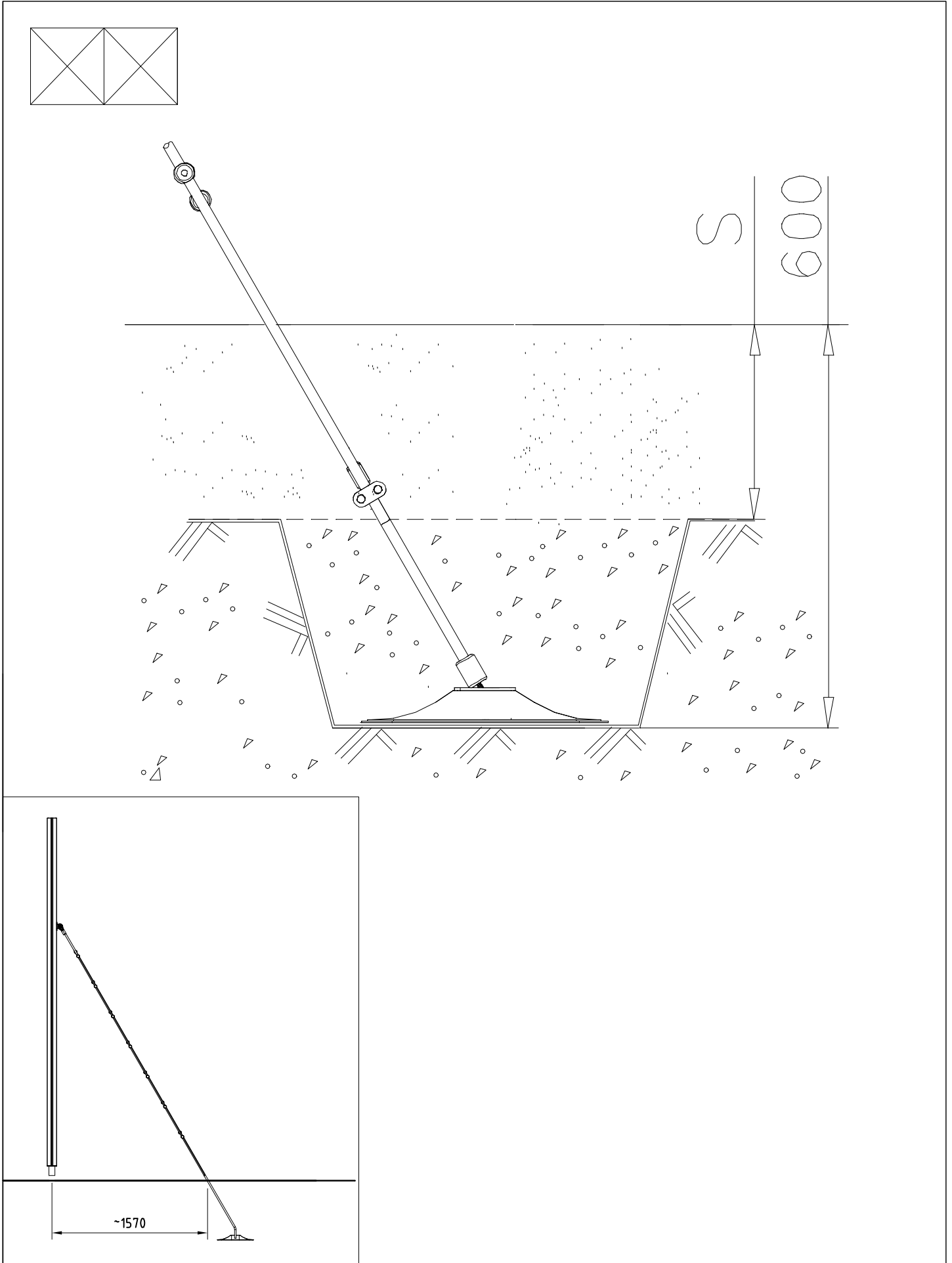
M8

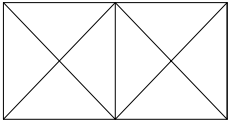
Ø9

352

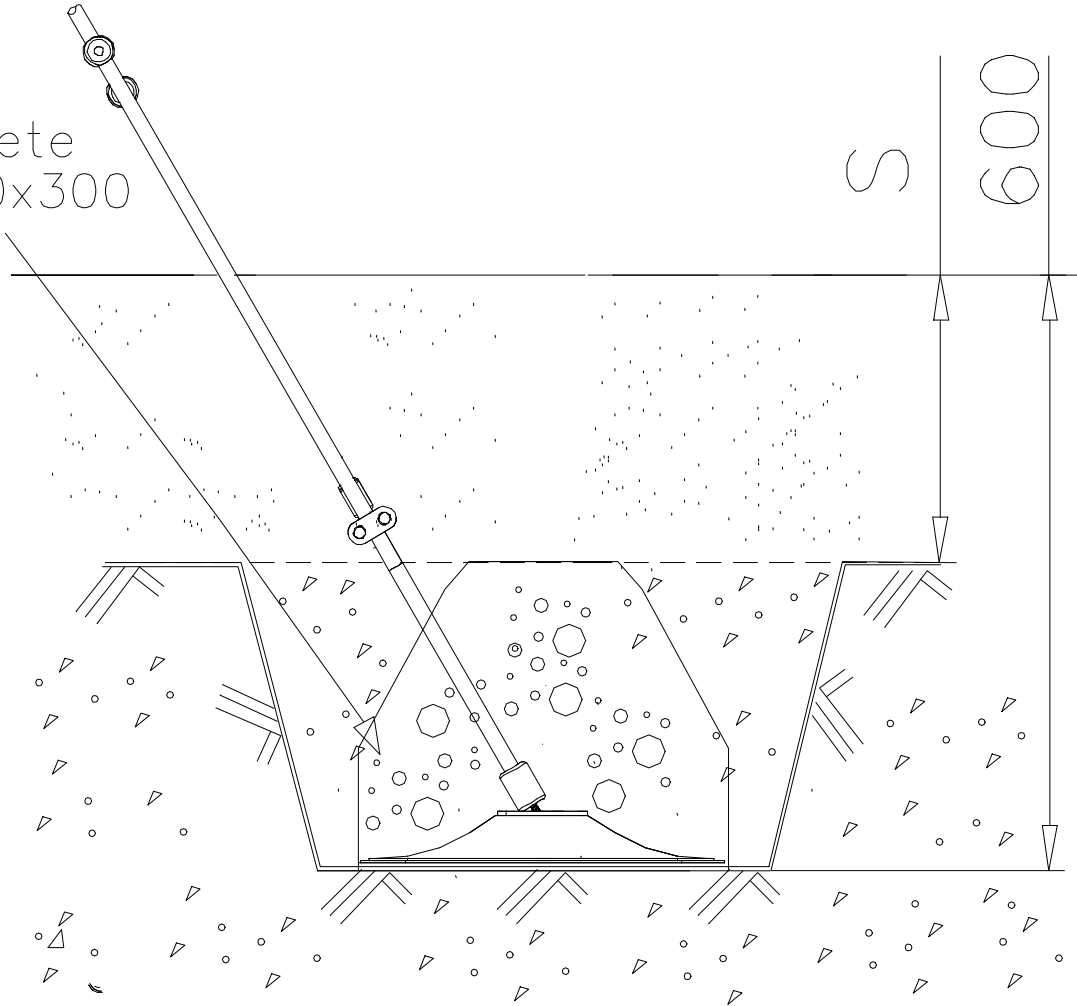
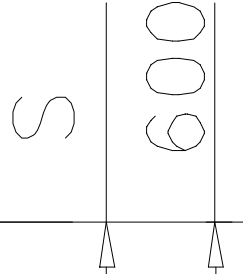
30

50

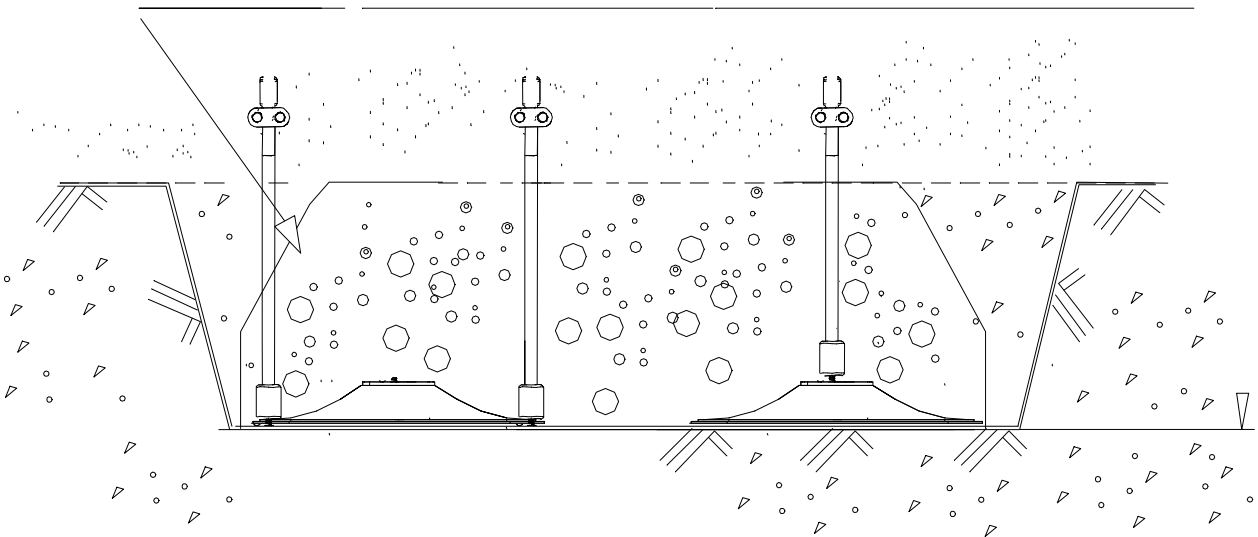


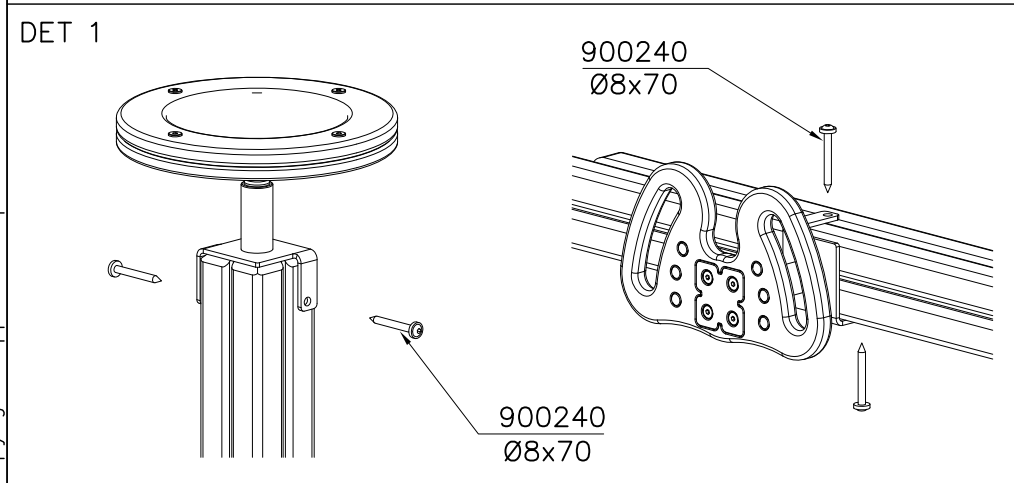
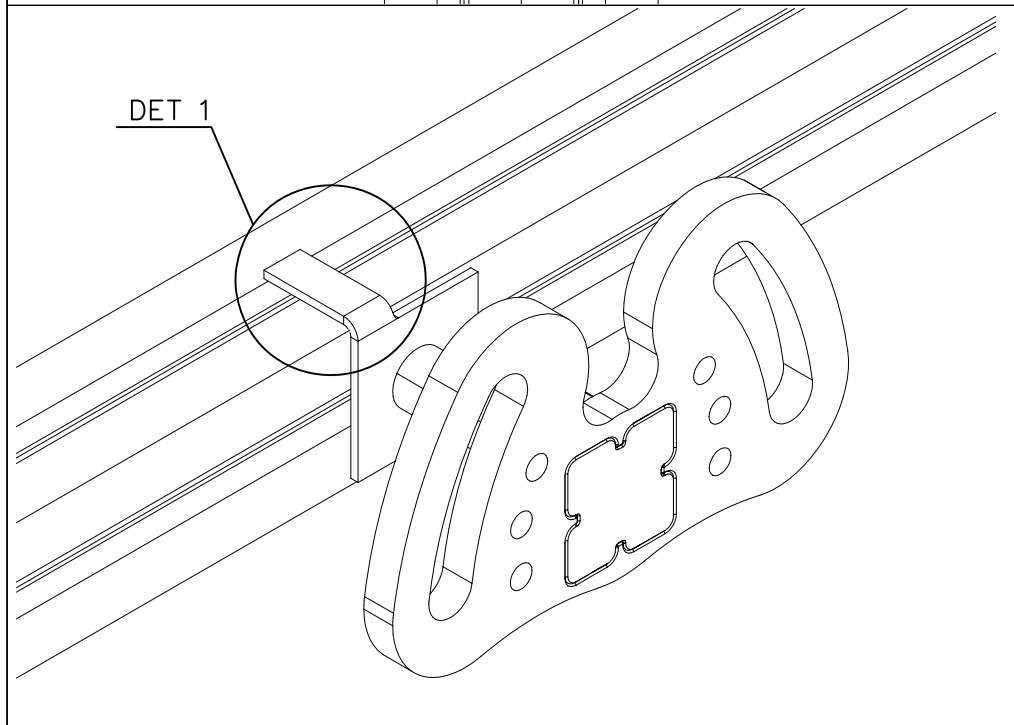
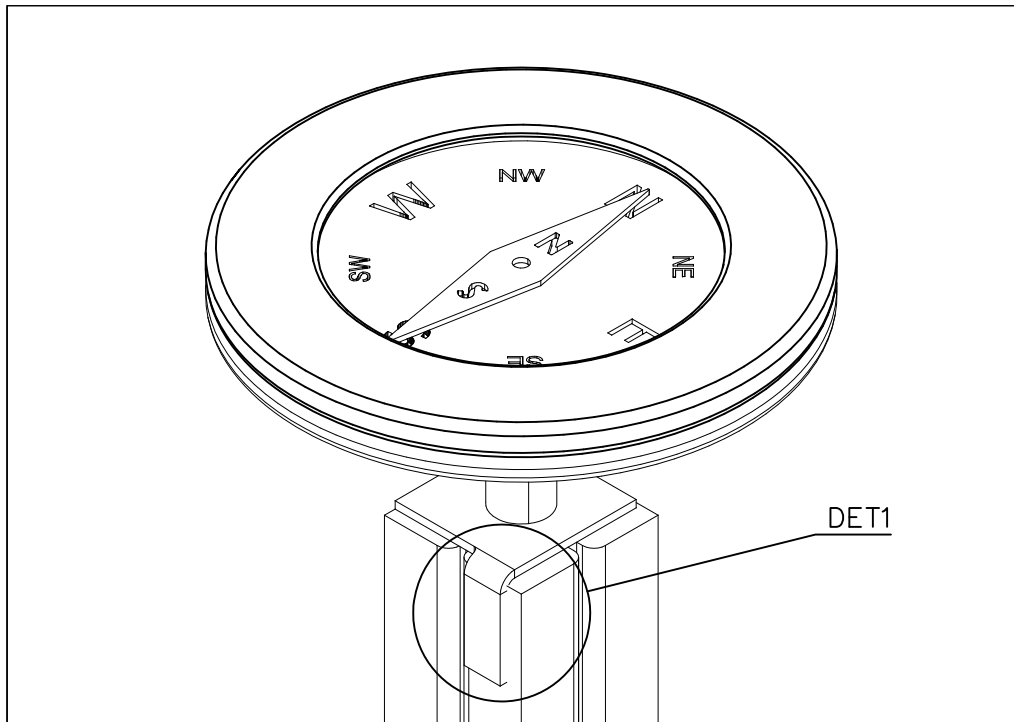


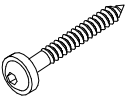

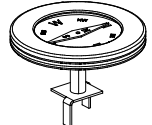
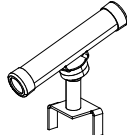
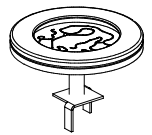
Concrete
1000x500x300

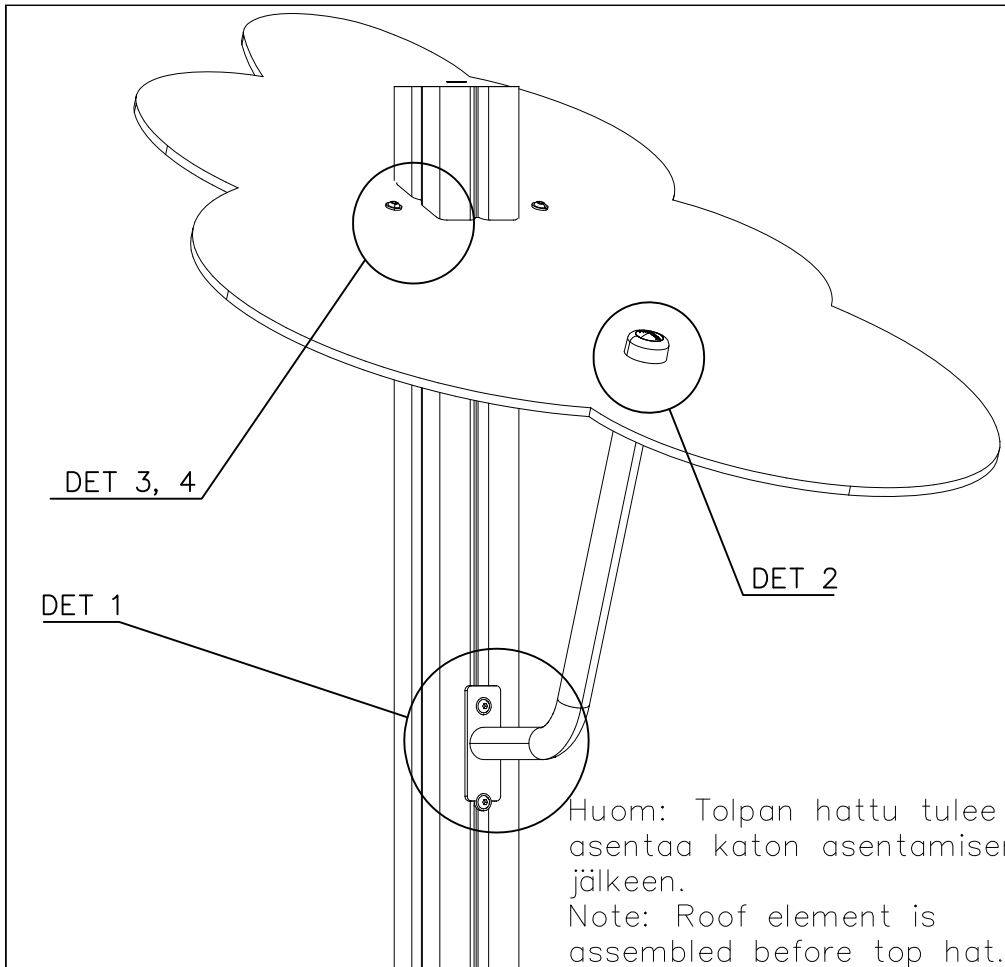


Concr de
1000x500x300



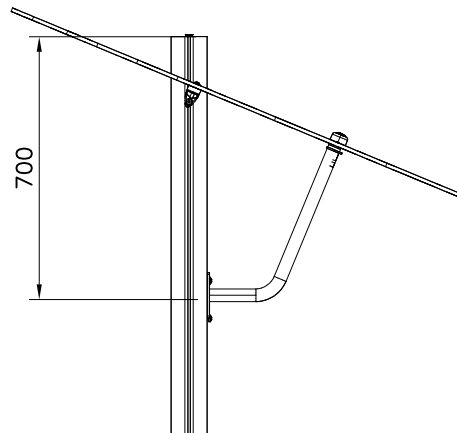
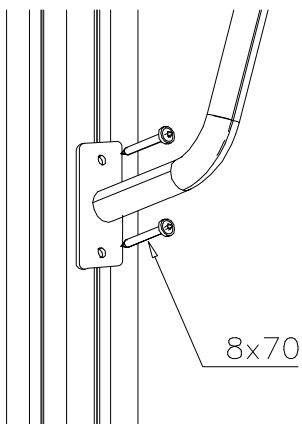


① 900240	PCS		PCS
	2		
Ø8x70			
	PCS		PCS
	PCS		PCS
○ 707302	PCS	○ 707303	PCS
	1		1
○ 707304	PCS	○ 707305	PCS
	1		1
	PCS		PCS
	PCS		PCS

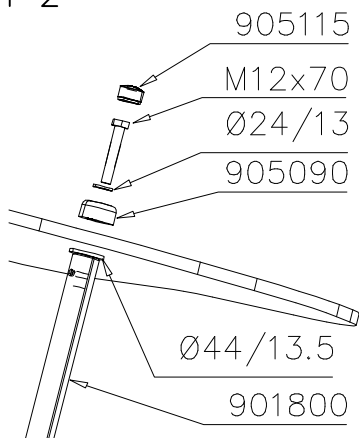


① 900240	PCS	② 901570	PCS
	4		2
Ø8x70		36x55x55	
③ 980154	PCS	④ 905086	PCS
	1		1
Ø24/13		Ø44/13,5	
⑤ 905090	PCS	⑥ 905115	PCS
	1		1
Ø45		Ø30	
⑦ 909142	PCS	⑧ 980160	PCS
	1		2
M12x70		M8	
⑨ 909852	PCS		PCS
	2		
M8x30			
	PCS		PCS

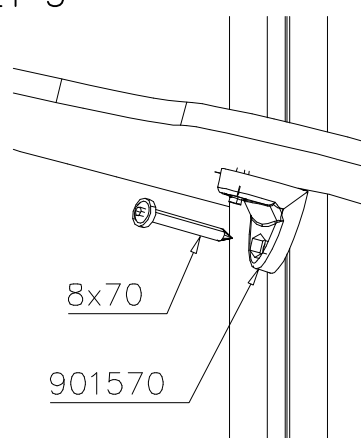
DET 1



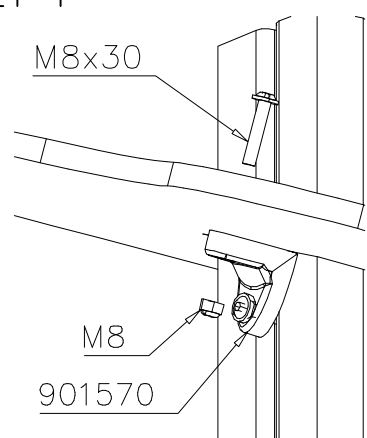
DET 2



DET 3

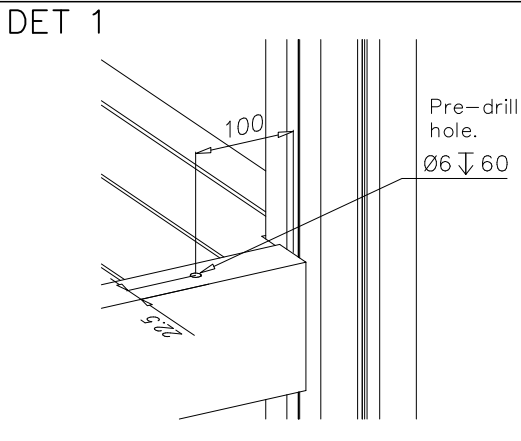


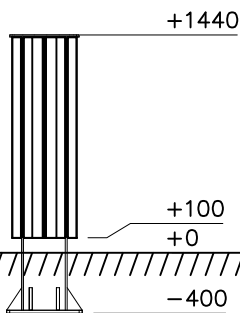
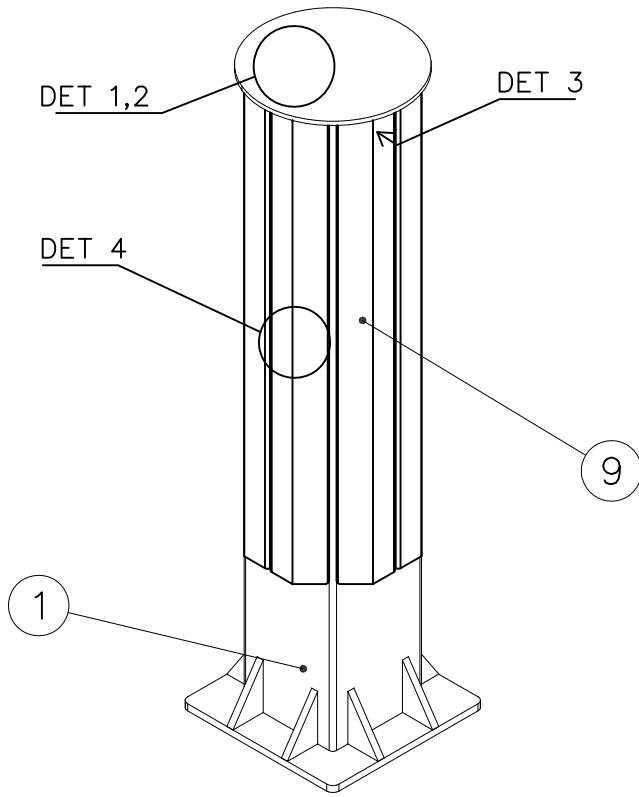
DET 4

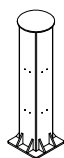
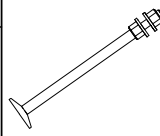

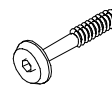
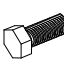

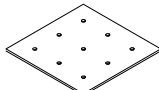


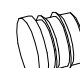




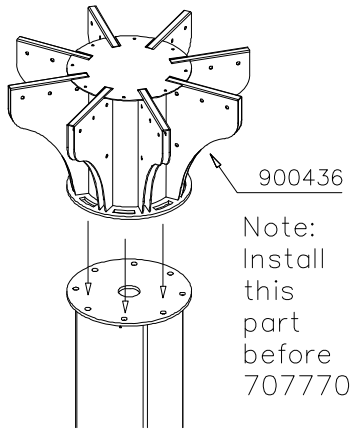
① 900240	PCS	② 900727	PCS
	1		1
Ø8x70		M10x80	
	PCS		PCS
③ 907688	PCS	③ 907701	PCS
	1		1
765		545	
	PCS		PCS
	PCS		PCS
	PCS		PCS
	PCS		PCS



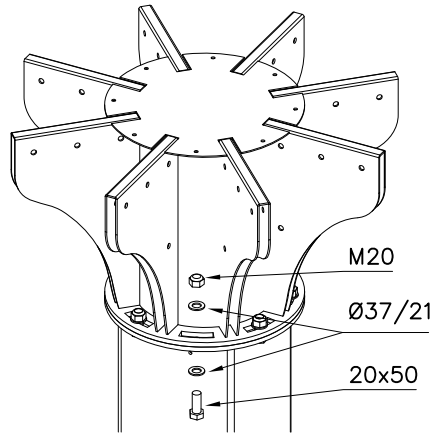


① 908377	PCS	② 909649	PCS
	1		8
		M24x430	
③ 909859	PCS	④ 909867	PCS
	16		24
Ø37/21		M8x70	
⑤ 929917	PCS	⑥ 929918	PCS
	8		8
M20x50		M20	
⑦ PN0247	PCS	⑧ 980154	PCS
	1		24
700x700x15		Ø24/13	
⑨ 707770	PCS	⑩ 905066	PCS
	8		24
63x135x1327		S30H	
	PCS		PCS
	PCS		PCS
	PCS		PCS

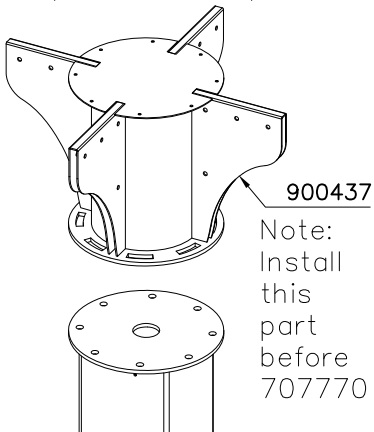
DET 1 (Big floor)



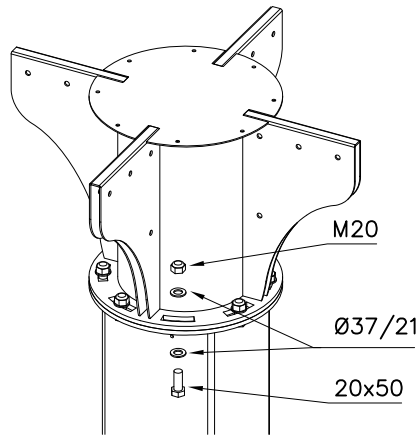
DET 2



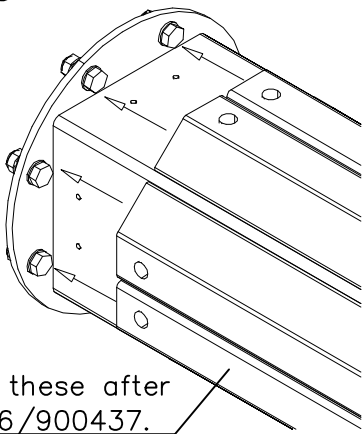
DET 1 (Small floor)



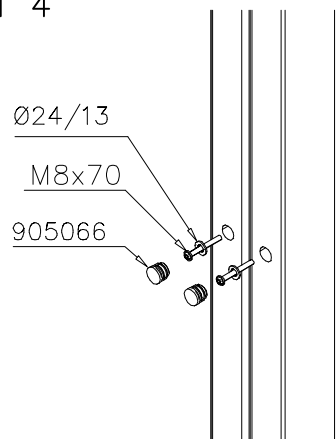
DET 2



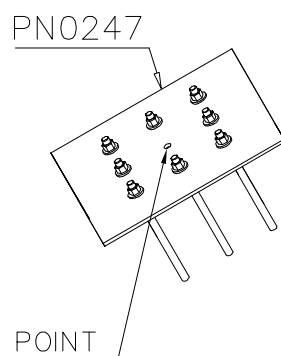
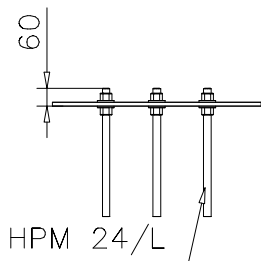
DET 3



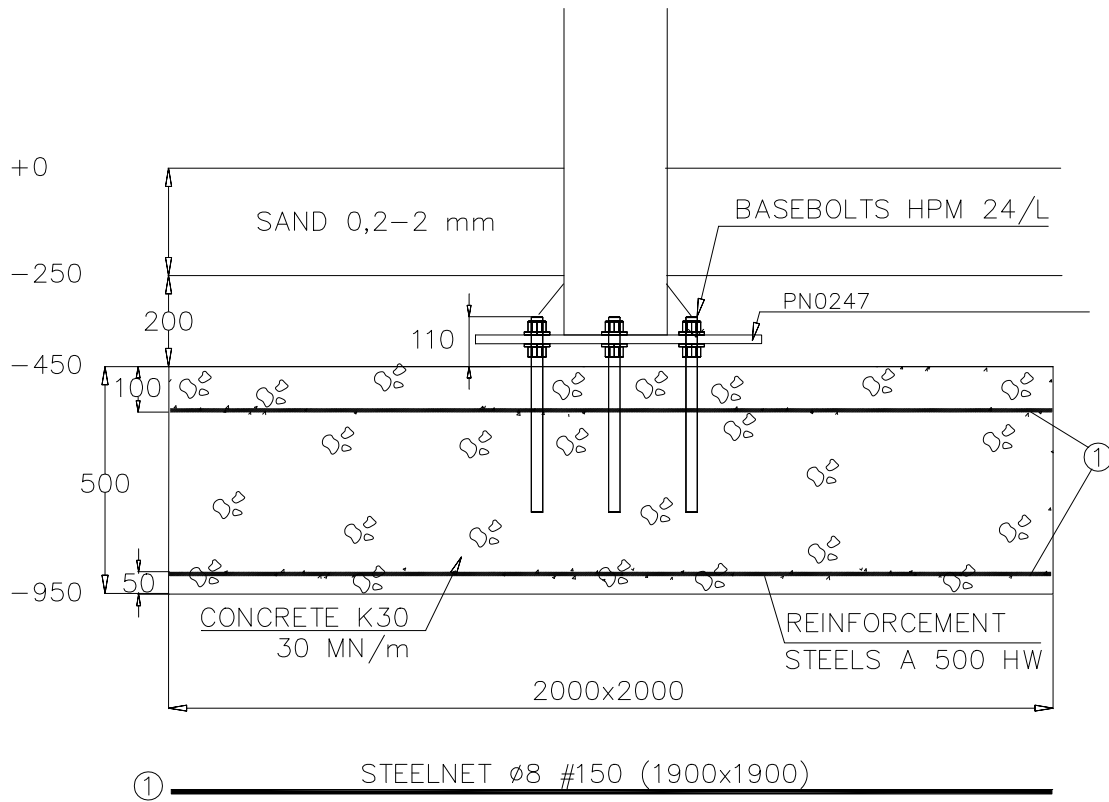
DET 4



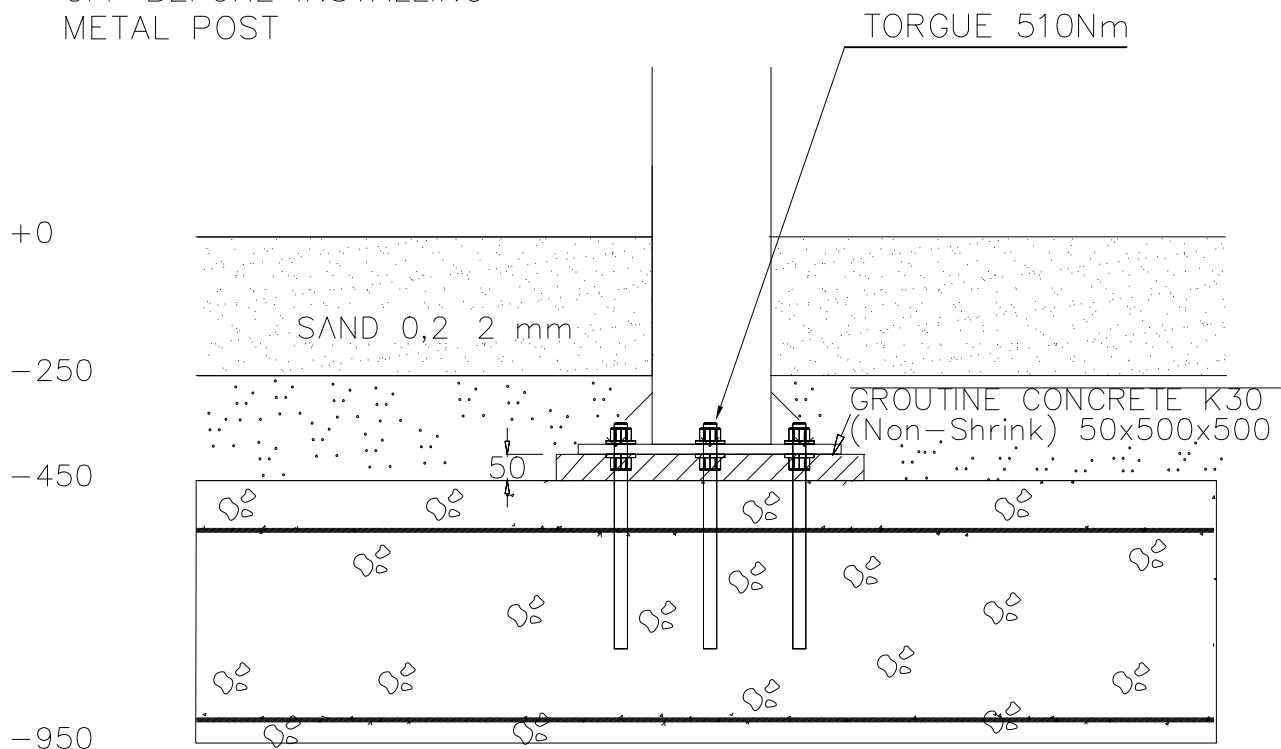
HOX! Use the plate to focus right place for the bolts

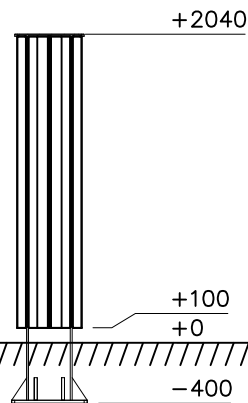
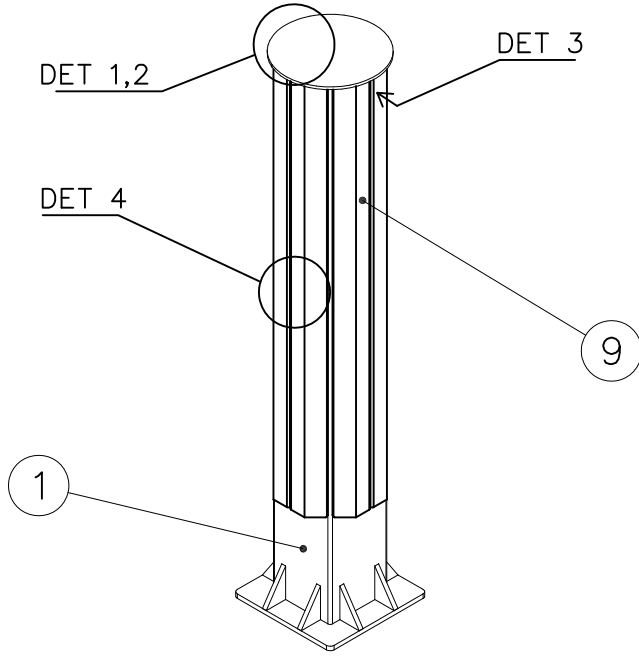


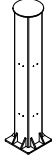
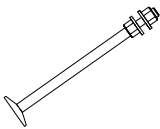
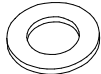
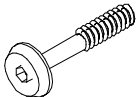
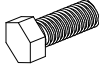
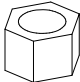
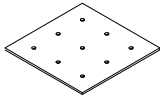


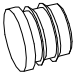
CONCRETE BLOCK SOLUTION



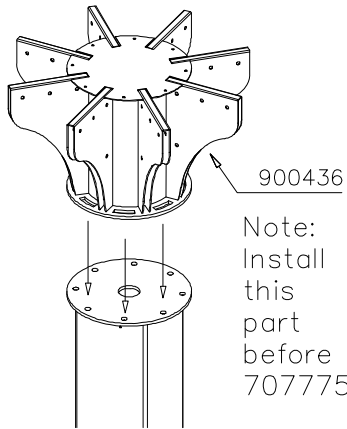
TAKE THE PLATE PN0247
OFF BEFORE INSTALLING
METAL POST



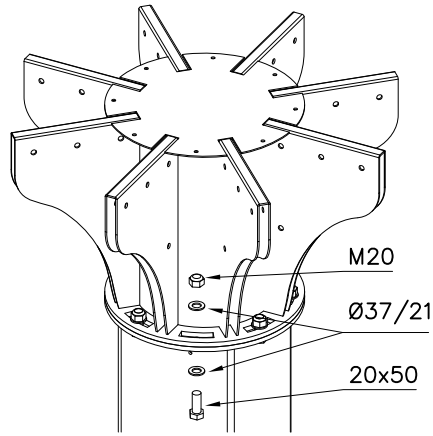


① 908378	PCS	② 909649	PCS
	1		8
		M24x430	
③ 909859	PCS	④ 909867	PCS
	16		24
Ø37/21		M8x70	
⑤ 929917	PCS	⑥ 929918	PCS
	8		8
M20x50		M20	
⑦ PN0247	PCS	⑧ 980154	PCS
	1		24
700x700x15		Ø24/13	
⑨ 707775	PCS	⑩ 905066	PCS
	8		24
63x165x1927		S30H	
	PCS		PCS
	PCS		PCS
	PCS		PCS

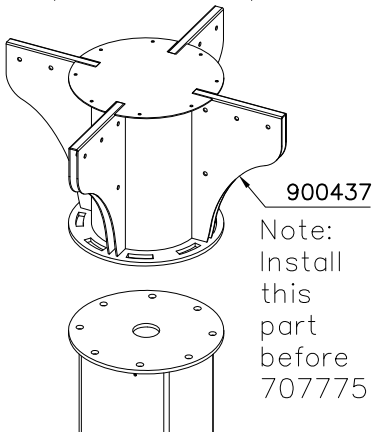
DET 1 (Big floor)



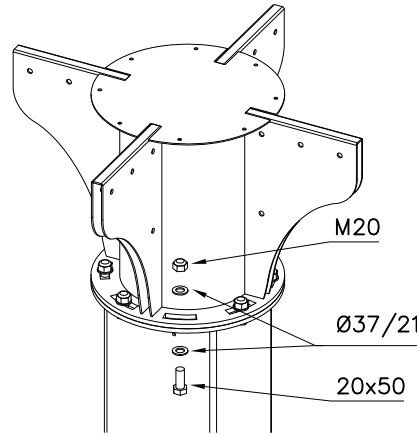
DET 2



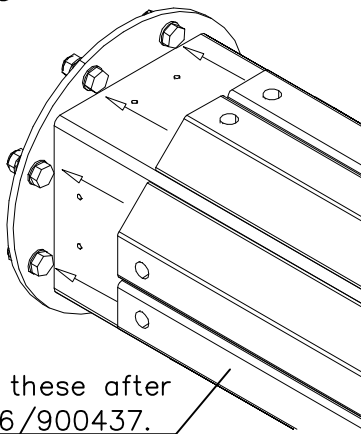
DET 1 (Small floor)



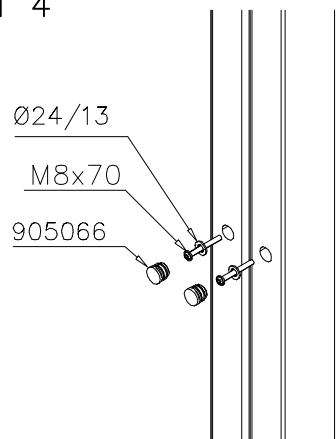
DET 2



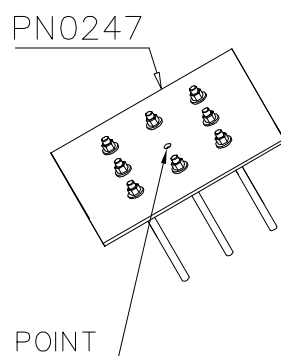
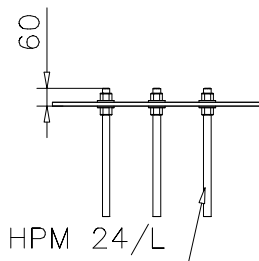
DET 3



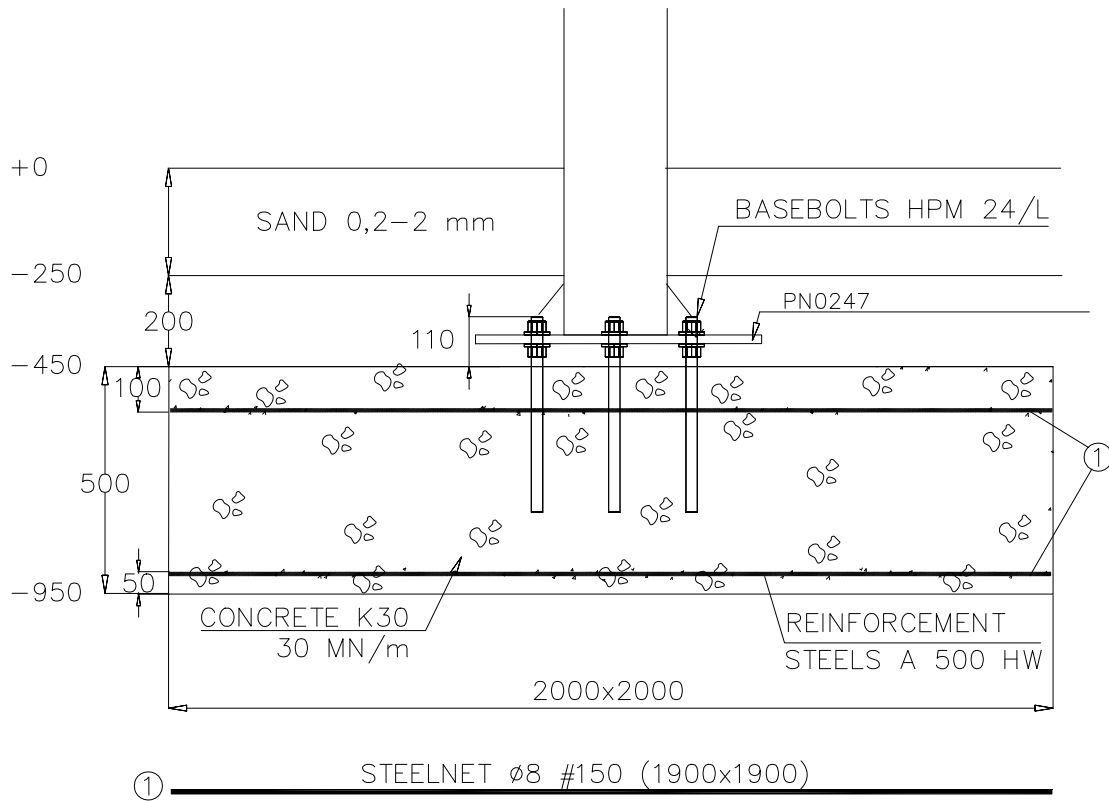
DET 4



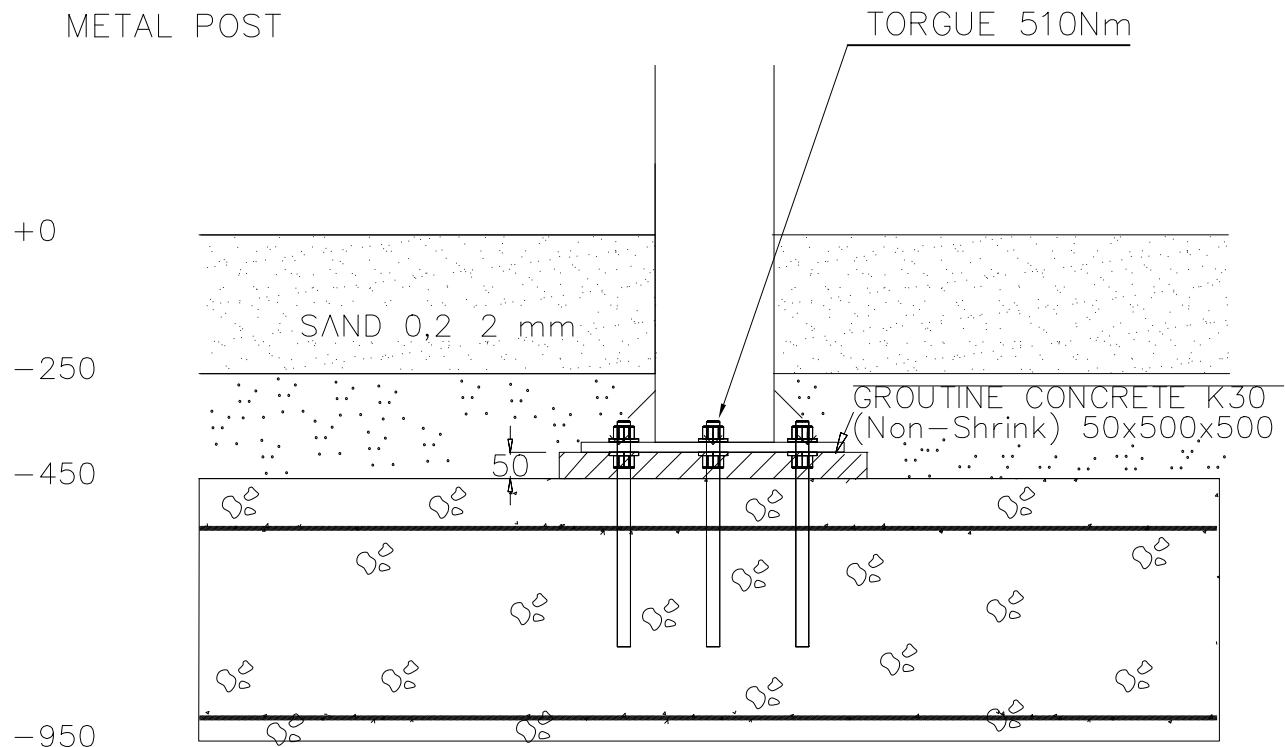
HOX! Use the plate to focus right place for the bolts

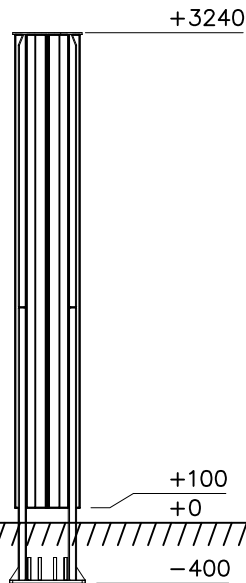
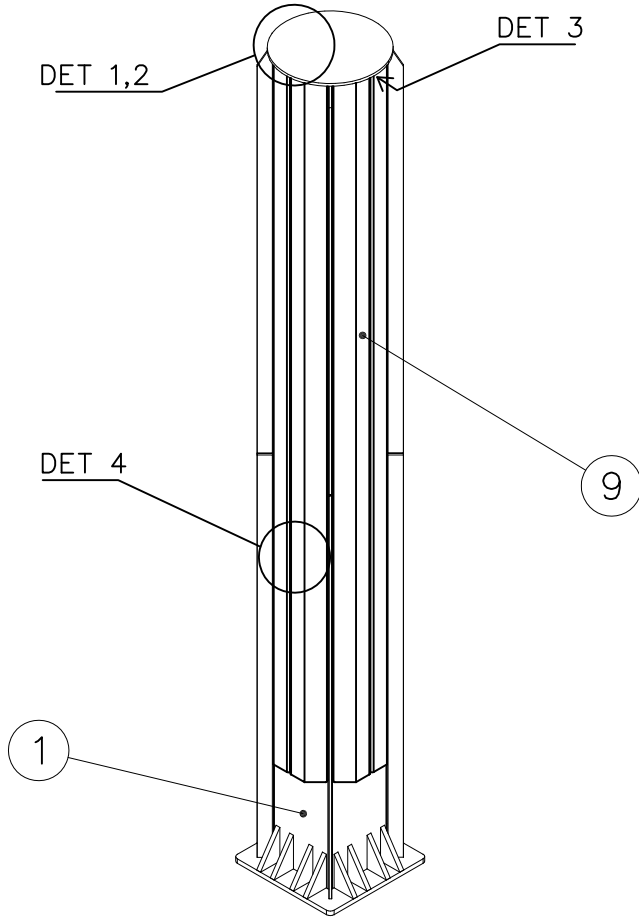



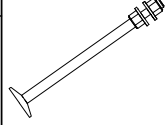
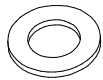
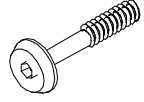
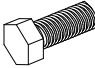
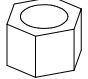
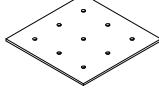


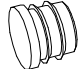
CONCRETE BLOCK SOLUTION

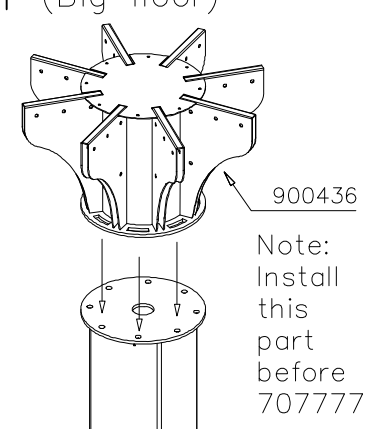
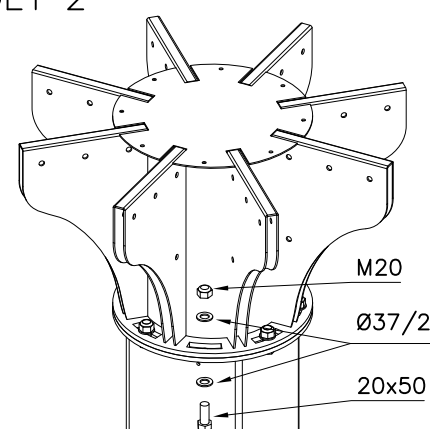
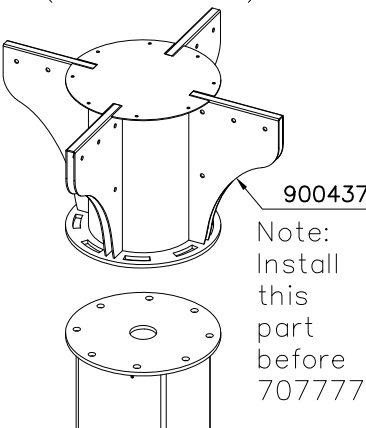
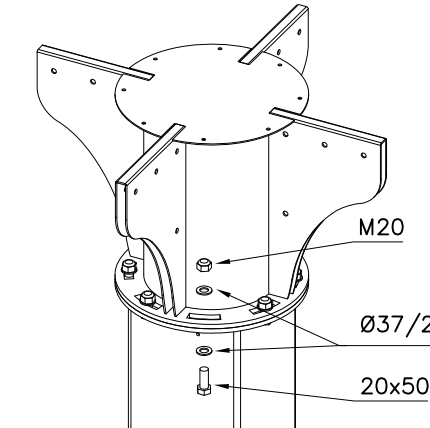
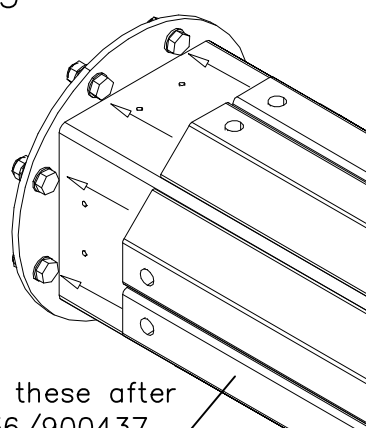
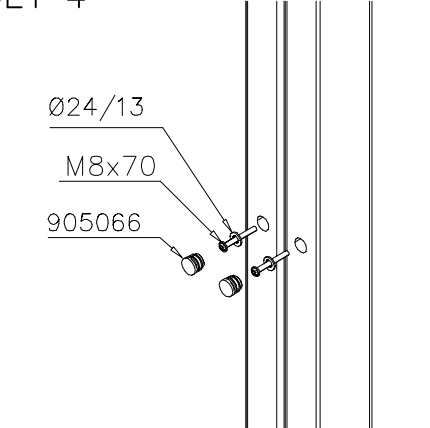


TAKE THE PLATE PN0247
 OFF BEFORE INSTALLING
 METAL POST

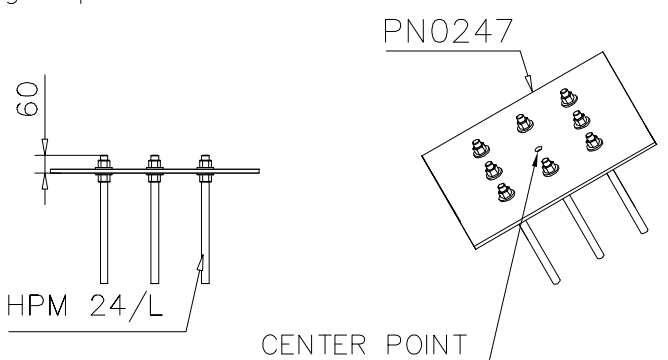




① 908380	PCS	② 909649	PCS
	1		8
		M24x430	
③ 909859	PCS	④ 909867	PCS
	16		40
Ø37/21		M8x70	
⑤ 929917	PCS	⑥ 929918	PCS
	8		8
M20x50		M20	
⑦ PN0247	PCS	⑧ 980154	PCS
	1		40
700x700x15		Ø24/13	
⑨ 707777	PCS	⑩ 905066	PCS
	8		40
63x165x3127		S30H	
	PCS		PCS
	PCS		PCS
	PCS		PCS

<p>DET 1 (Big floor)</p>  <p>900436</p> <p>Note: Install this part before 707777</p>	<p>DET 2</p>  <p>M20</p> <p>Ø37/21</p> <p>20x50</p>	
<p>DET 1 (Small floor)</p>  <p>900437</p> <p>Note: Install this part before 707777</p>	<p>DET 2</p>  <p>M20</p> <p>Ø37/21</p> <p>20x50</p>	
<p>DET 3</p>  <p>NOTE! Install these after 900436/900437.</p>	<p>DET 4</p>  <p>Ø24/13</p> <p>M8x70</p> <p>905066</p>	

HOX! Use the plate to focus right place for the bolts



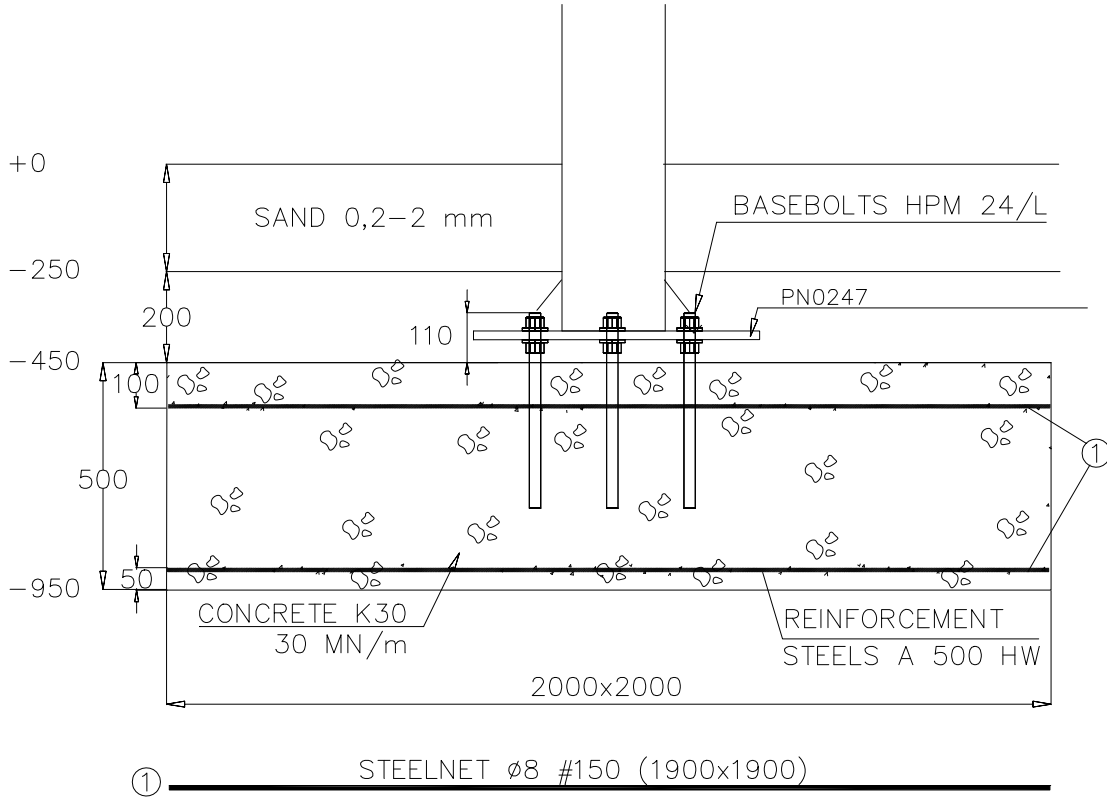
60

HPM 24/L

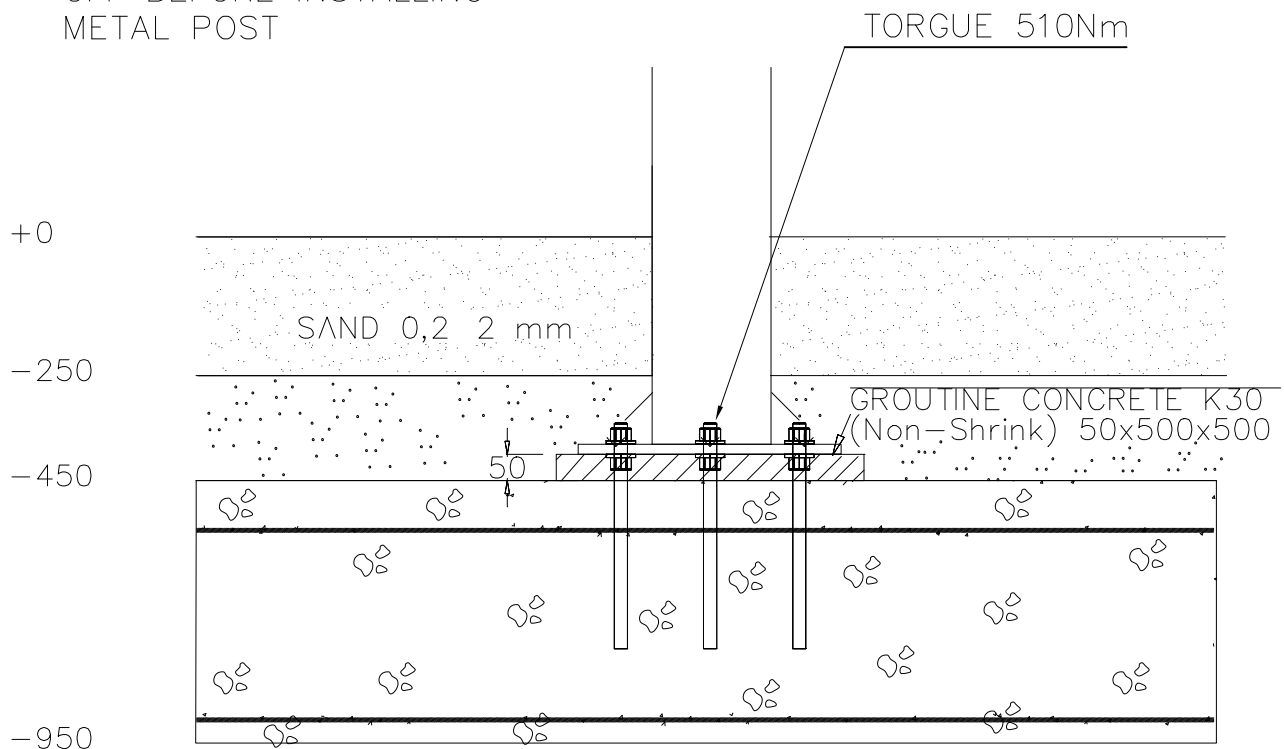
PN0247

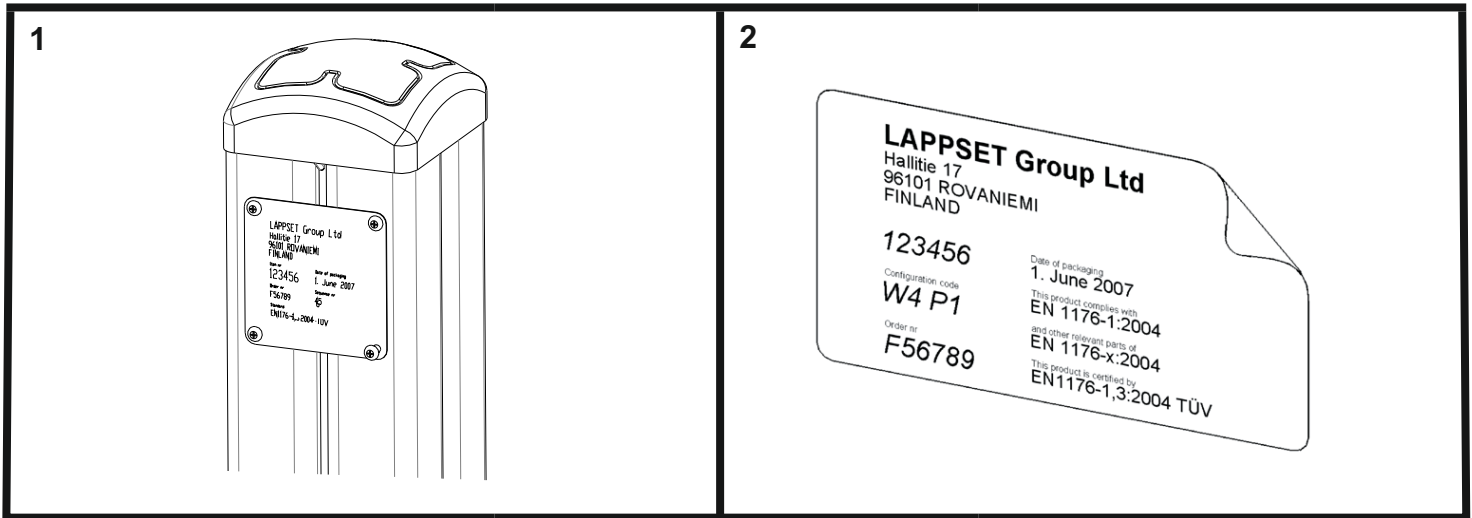
CENTER POINT

CONCRETE BLOCK SOLUTION



TAKE THE PLATE PN0247
OFF BEFORE INSTALLING
METAL POST





Tuotekyltti tulee tuotteen mukana yhdellä seuraavista tavoista:

1) Metallinen tuotekyltti ja kiinnitysruuvit

- Kiinnitä tuotekyltti ruuveilla tolppaan noin 2 metrin korkeuteen kuvan 2 mukaisesti.

2) Tuotekylttitarra

- Puhdista maalattu metalli- tai vaneripinta pölystä ja kosteudesta. Liimaa tarra kuvan 3 mukaisesti.
- Huom. Älä kiinnitä tarraa karheapintaiseen laminaattiin tai maalattuun puuhun.

Vår produktmärkning levereras på ett av följande sätt:

1) Produktskylt i metall

- Fäst skylten med de medföljande skruvarna

2) Självhäftande produktetikett

- Rengördenpulverlackerademetallytanellerlaminatytansåattdenblirfrifrånsmutsochfukt.Fästetikettenenligtfig.3.
- Obs! Fäst ej etiketten på detaljer med skrovlig yta eller på målat trä.

Product label is delivered by one of following ways:

1) Metal product label and screws

- Fasten the label with screws.

2) Label sticker

- Cleanthepaintedmetalorplywoodsurfacefromdirtandmoisture.Fastenthestickerasshowninthefigure3.
- Note. Do not attach the sticker to rough surfaced laminate or painted wood.

La plaque d'informations produit est livrée sous l'une de ces 3 formes :

1) Plaque métallique et vis

- Fixez la plaque à l'aide des vis.

2) Etiquette autocollante

- Avant de coller l'étiquette, nettoyez le composant métallique peint ou la plaque de contreplaqué, de toute saleté. La surface doit être sèche (voir image 3).
- Attention, ne pas coller l'étiquette sur une surface lamellé-collée irrégulière ou sur du bois peint.

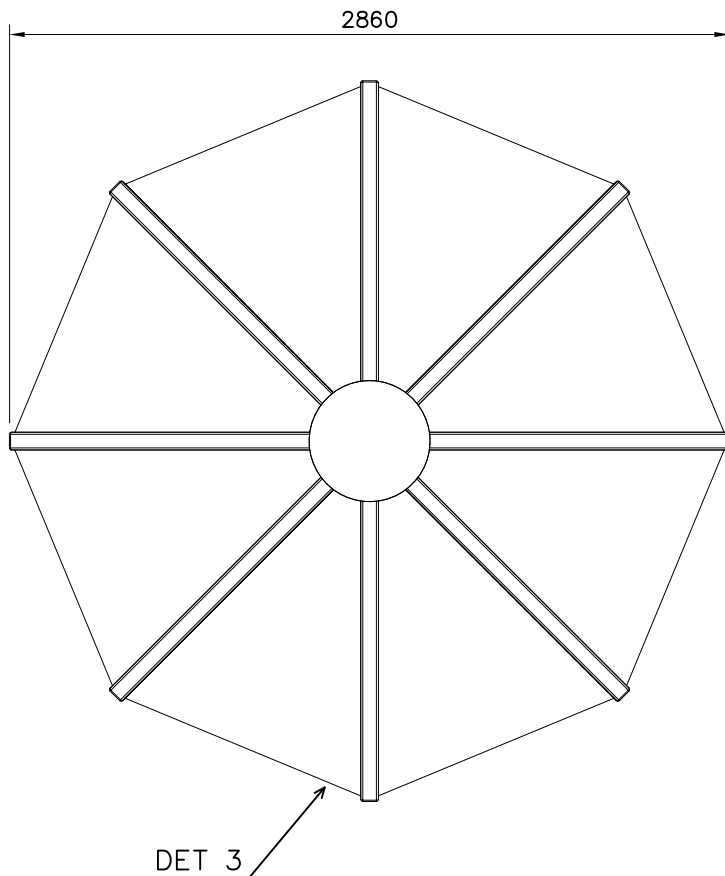
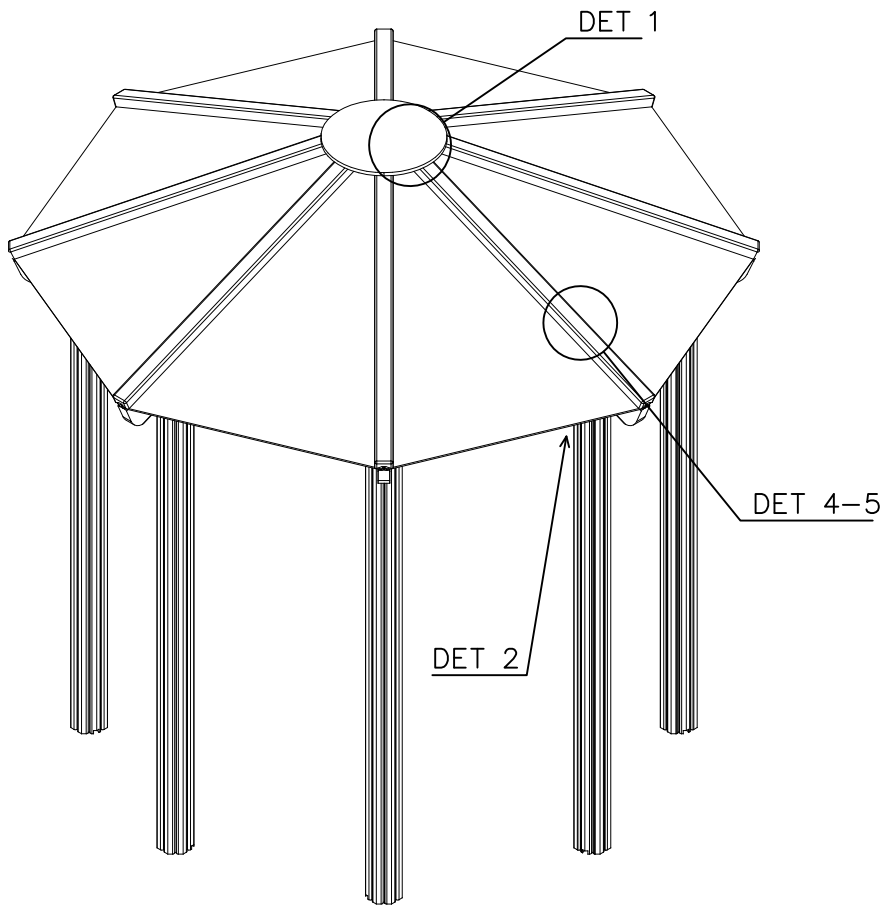
Die Auslieferung des Produktaufklebers erfolgt auf eine dieser Arten:




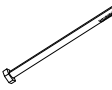




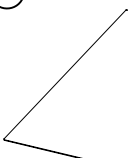
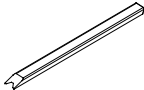



1) Produkt-Schild aus Metall incl. Schrauben

- Die Befestigung des Schildes erfolgt mittels der Schrauben.

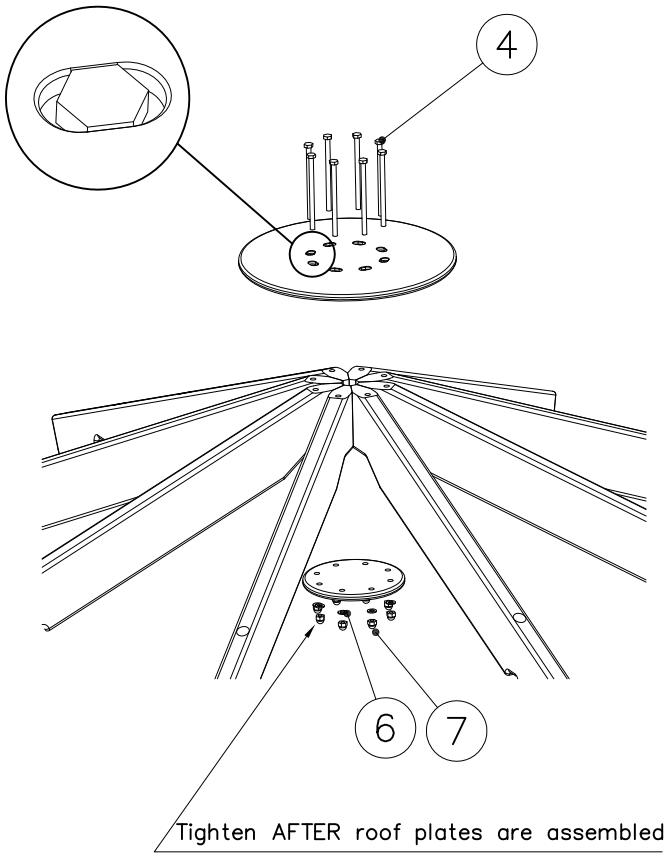
2) Aufkleber

- EntfernenSiezunächstSchmutzundFeuchtigkeitvomlackiertenMetallbzw.vonderHolzoberflächeundbringenSiedenAufkleber wie im Bild oben rechts beschrieben auf den gesäuberten Untergrund auf.
- Beachten Sie: Bringen Sie den Aufkleber nicht auf raues laminiertes oder lackiertes Holz an.

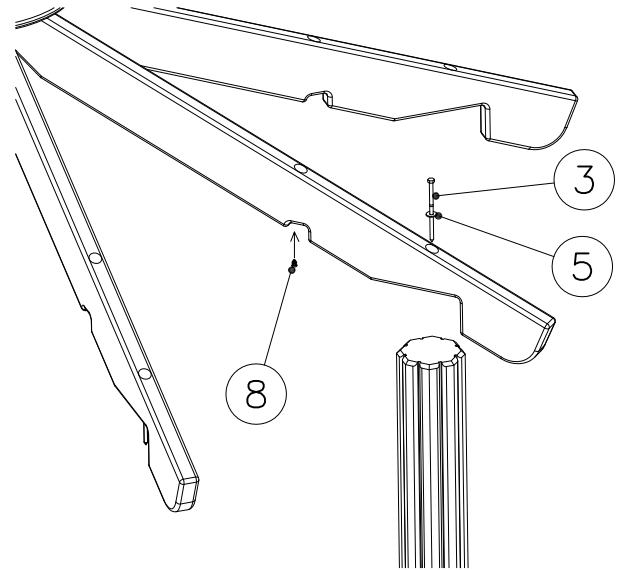


①	980100	PCS	②	980104	PCS
		48			32
					
	Ø5x60			Ø5x90	
③	909230	PCS	④	900208	PCS
		8			8
					
	8x150			M10x170	
⑤	905051	PCS	⑥	901302	PCS
		8			8
					
	Ø24/8.4			Ø20/10.5	
⑦	900965	PCS	⑧	903533	PCS
		8			8
					
	M10			SRL12 TO Ø9	
		PCS			PCS
○	707667	PCS	○	707688	PCS
		8			8
					
	10x1295x1075			45x70x1385	
○	707689	PCS	○	707691	PCS
		8			1
					
	45x145x1495			15xØ480	
○	707692	PCS			PCS
		1			
					
	15xØ225				

DET 1

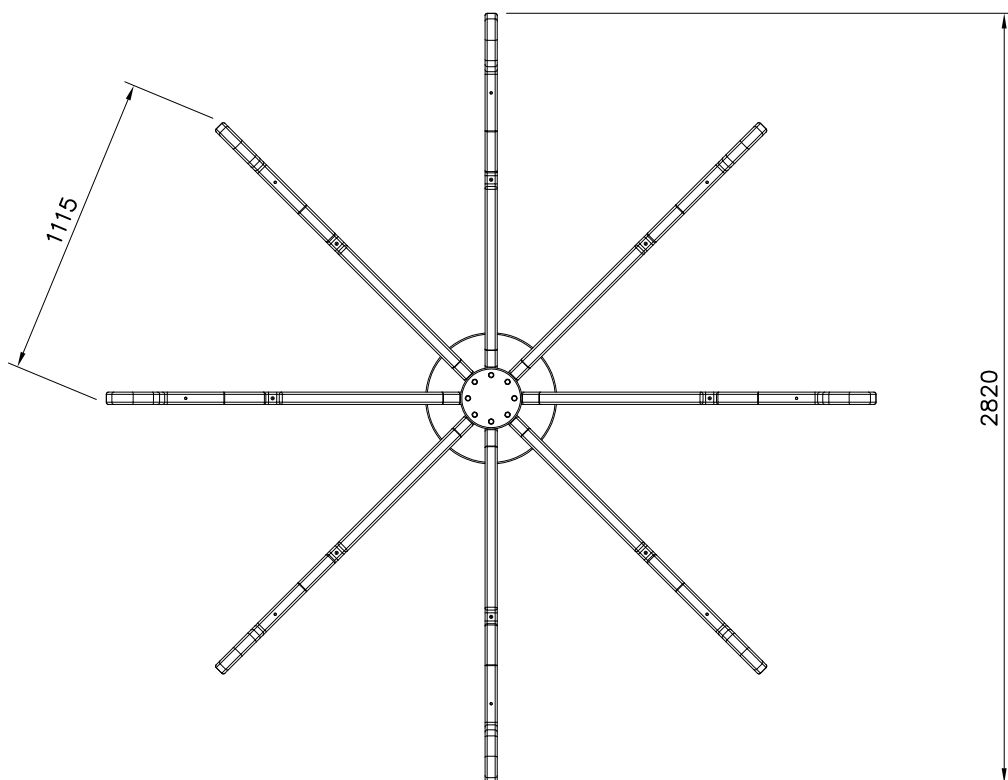


DET 2

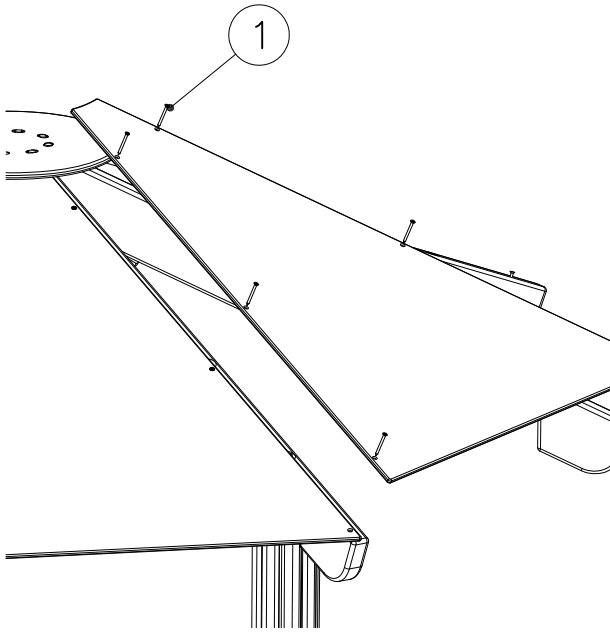


DET 3

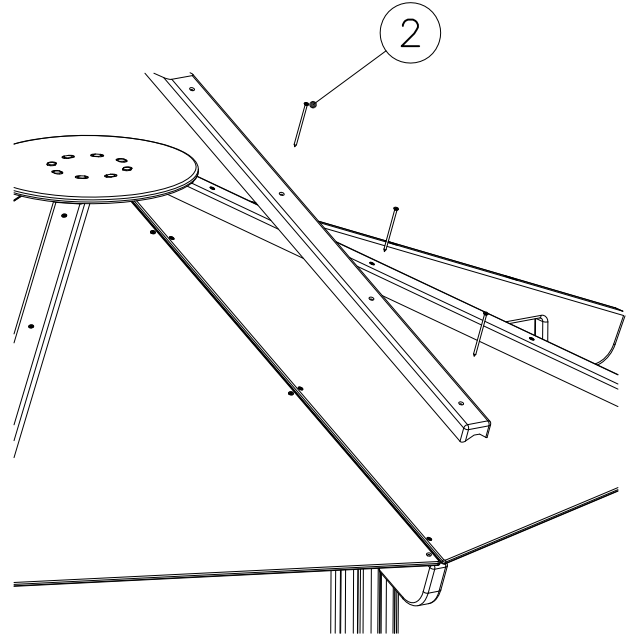
Check measures



DET 4



DET 5

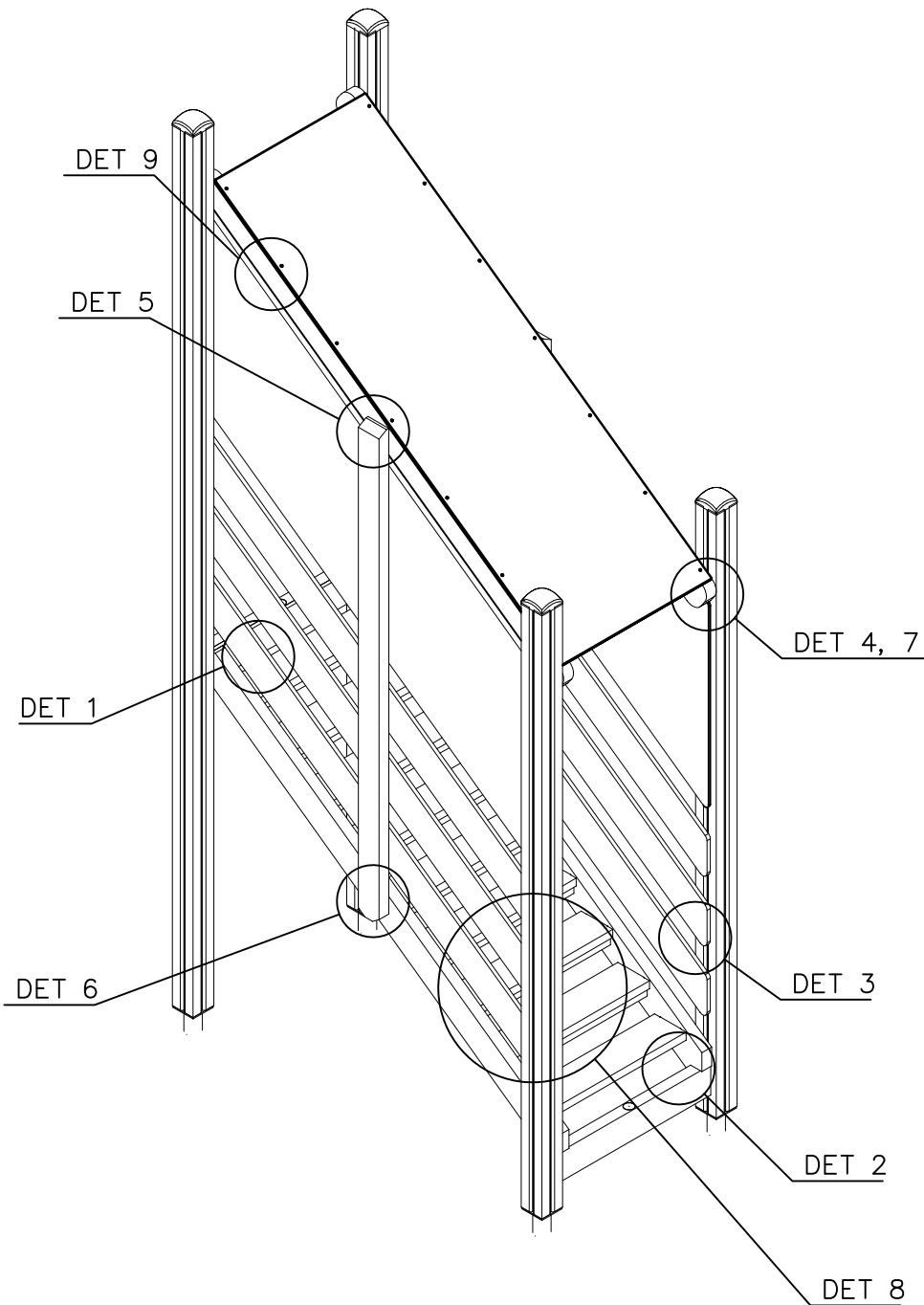


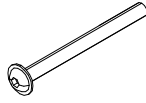
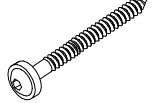
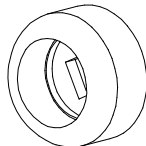
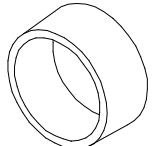
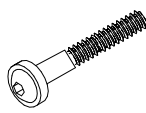

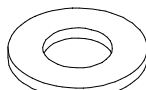
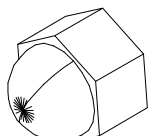
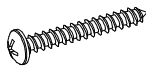
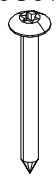

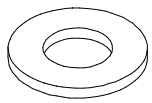
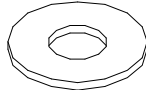

LAPPSET® FASTENER KIT

707871

DATE: 3.10.2017

1(4)



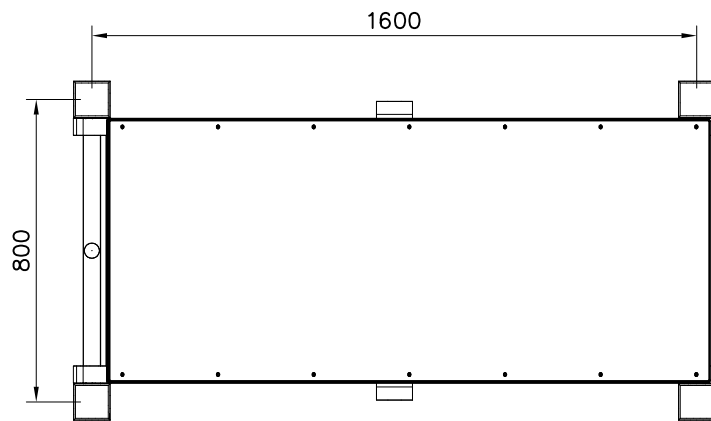
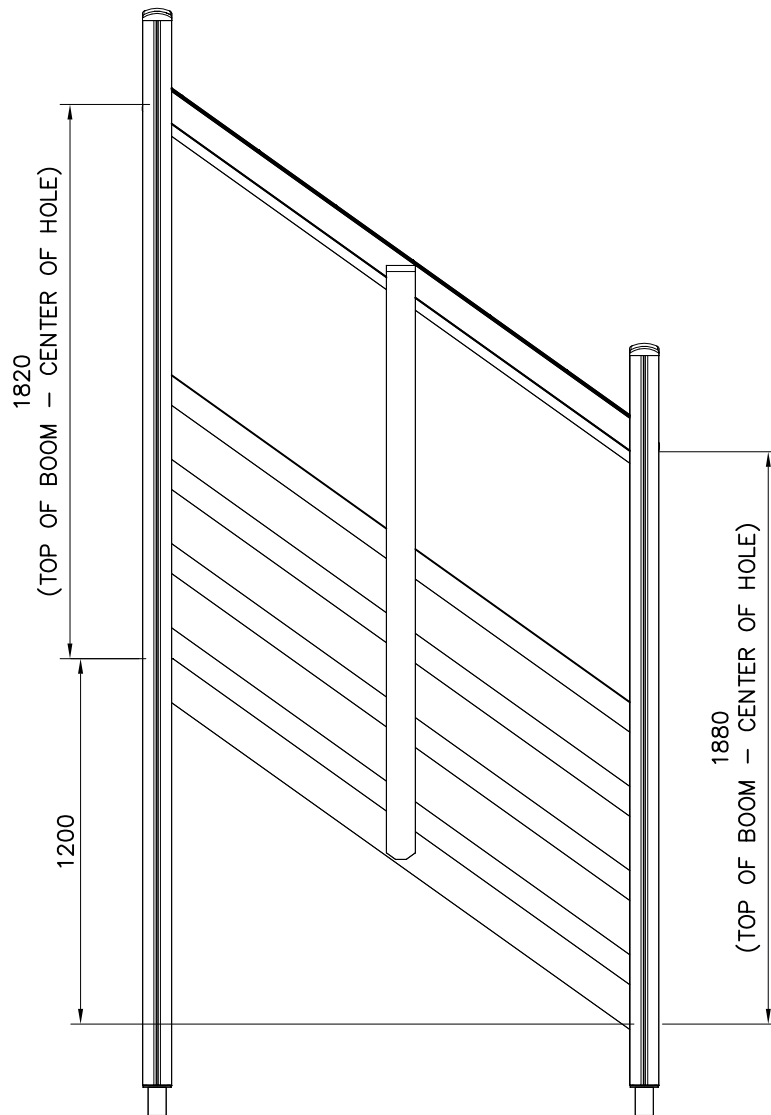
① 900859	PCS 2	② 903093	PCS 2
			
M8x90		Ø8x90	
③ 905083	PCS 4	④ 905112	PCS 4
			
Ø32		Ø22	
⑤ 909117	PCS 2	⑥ 909233	PCS 4
			
M8x100		Ø8x100	
⑦ 909256	PCS 22	⑧ 909633	PCS 4
			
Ø16/8.4x1.6		M8	
⑨ 980106	PCS 30	⑩ 980123	PCS 52
			
Ø5x40		Ø7x60	
⑪ 980128	PCS 9	⑫ 980151	PCS 4
			
Ø7x40		Ø16/8.4	
⑬ 980152	PCS 6	⑭ 980158	PCS 30
			
Ø24/8.4x2		Ø12/6.4	
	PCS		PCS

LAPPSET®
FASTENER KIT

707871

DATE: 3.10.2017

2(4)



LAPPSET®

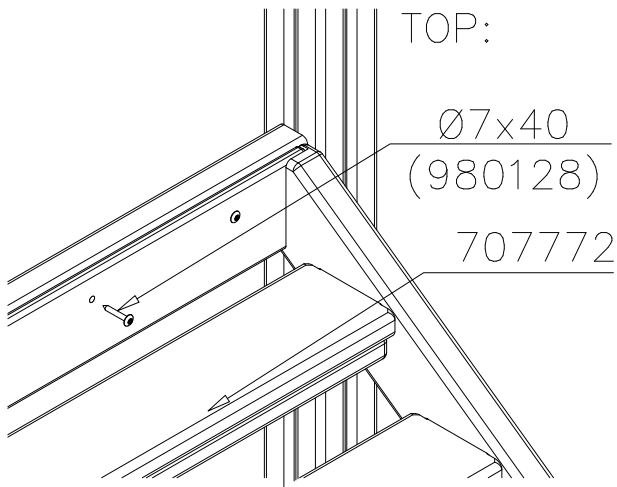
FASTENER KIT

707871

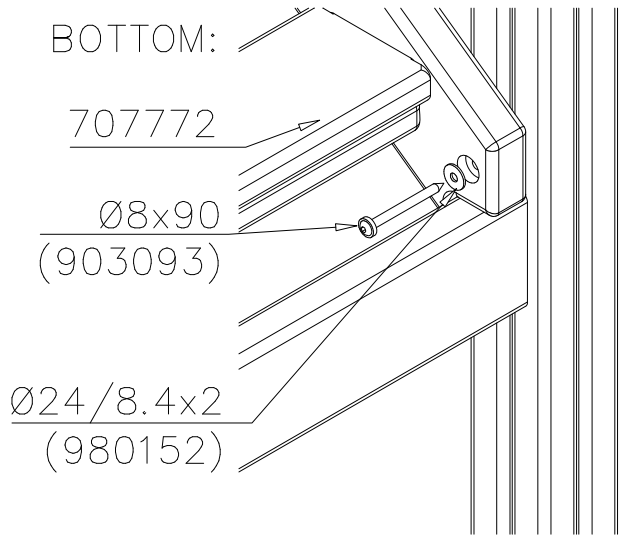
DATE: 3.10.2017

3(4)

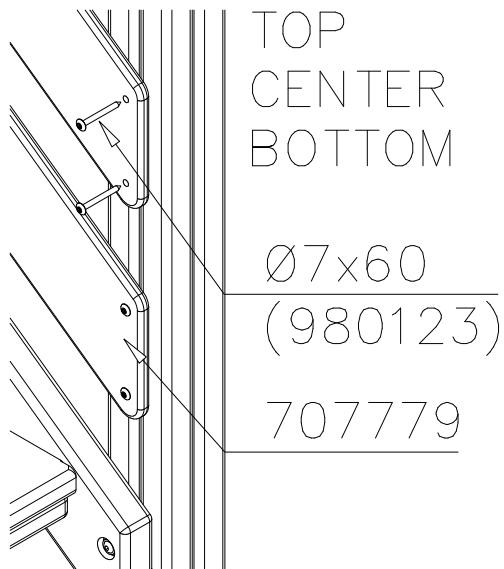
DET 1



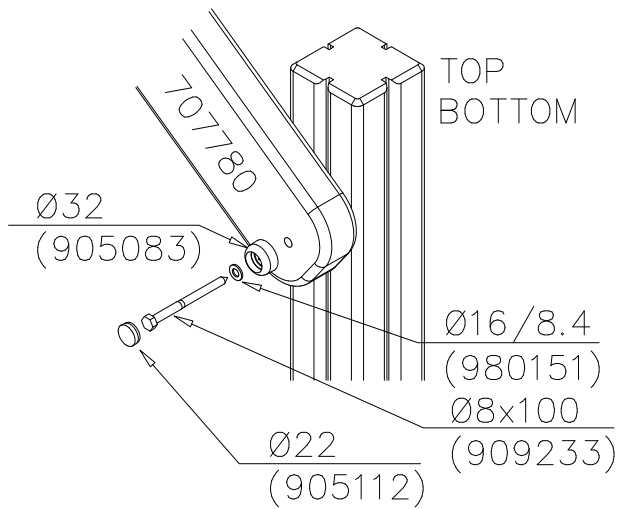
DET 2



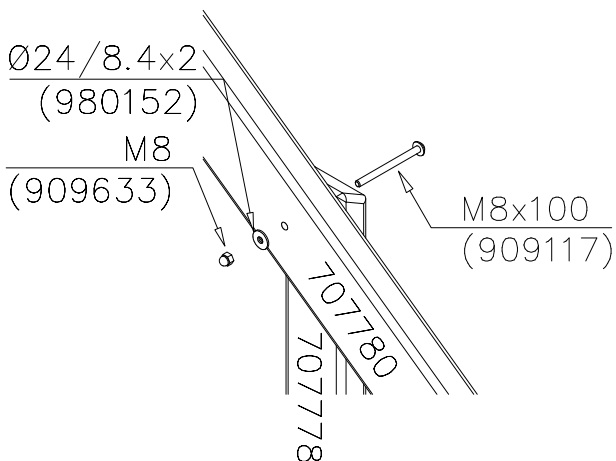
DET 3



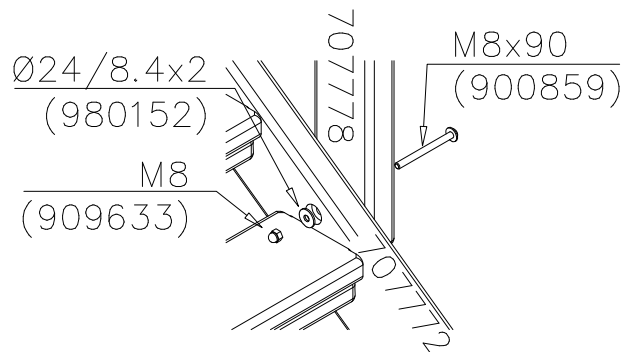
DET 4



DET 5



DET 6



LAPPSET®

FASTENER KIT

707871

DATE: 3.10.2017

4(4)

<p>DET 7</p> <p> $\varnothing 5 \times 40$ (980106) $\varnothing 12 / 6.4$ (980158) $\varnothing 16 / 8.4 \times 1.6$ (909256) $\varnothing 7 \times 60$ (post) $\varnothing 7 \times 40$ (center) </p>		<p>DET 8</p> <p>707779 CENTER MOUNTING HOLES ON THE BOTTOM</p>	
<p>DET 9</p> <p> $\varnothing 12 / 6.4$ (980158) $\varnothing 5 \times 40$ (980106) </p>			
<p>BOOM OPTIONS</p>		<p>BOOM OPTIONS</p>	
<p>707772</p> <p>700x120x2000</p>	<p>707772-602 DARK BROWN 707772-603 LIGHT BROWN 707772-604 LIGHT GRAY</p>	<p>707780</p> <p>45x120x2045</p>	<p>707780-602 DARK BROWN 707780-603 LIGHT BROWN 707780-604 LIGHT GRAY</p>
<p>BOOM OPTIONS</p>		<p>HPL OPTIONS</p>	
<p>707778</p> <p>45x95x1950</p>	<p>707778-602 DARK BROWN 707778-603 LIGHT BROWN 707778-604 LIGHT GRAY</p>	<p>707779</p> <p>15x145x2086</p>	<p>707779-701 BLUE 707779-702 YELLOW 707779-703 LIME 707779-704 DARK GRAY 707779-705 GRAY 707779-706 RED 707779-707 GREEN 707779-708 FUXIA</p>

LAPPSET® FASTENER KIT

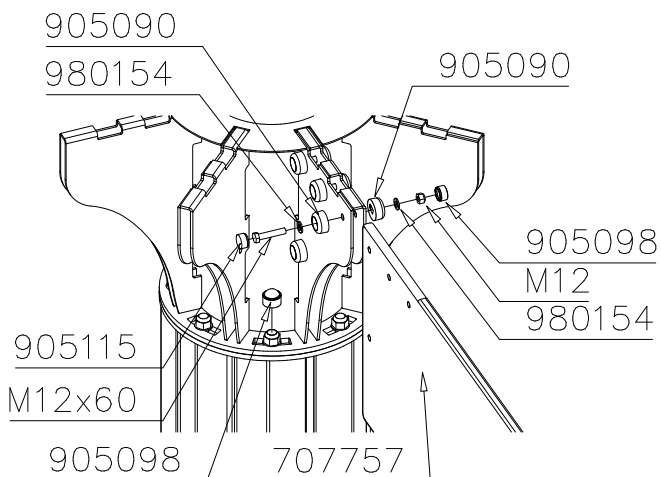
707872

DATE: 8.7.2016

1(2)

① 900477 M12x60 PCS 32	② 905083 Ø32 PCS 8		
③ 905090 Ø45 PCS 64	④ 905098 M20 PCS 8		
⑤ 905112 Ø22 PCS 8	⑥ 905115 Ø30 PCS 64		
⑦ 905857 M8x35 PCS 8	⑧ 909248 M12 PCS 32		
⑨ 980100 Ø5x60 PCS 15	⑩ 980150 M8 PCS 8	⑪ 980151 Ø16/8.4 PCS 8	⑫ 980154 Ø24/13 PCS 64

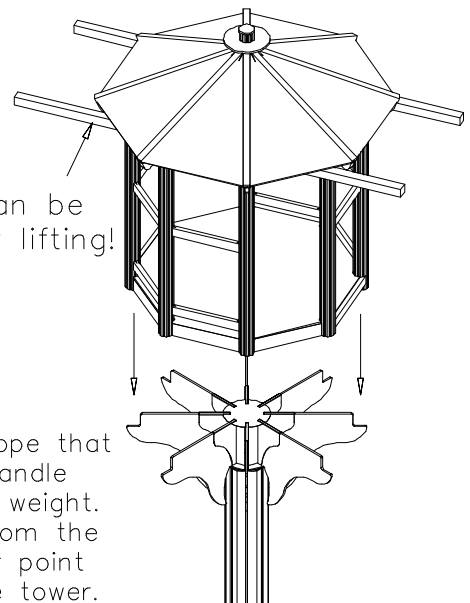
DET 1



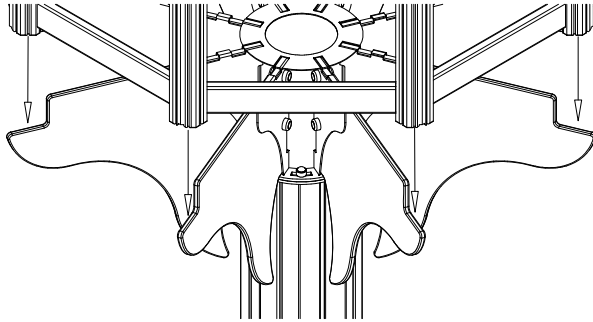
DET 2

Posts can be used for lifting!

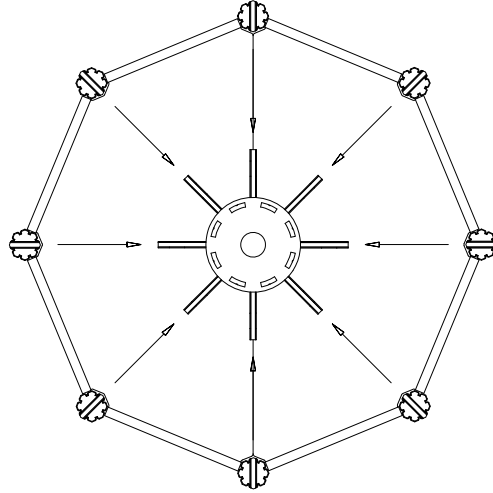
NOTE!
Use rope that can handle heavy weight.
Lift from the center point of the tower.



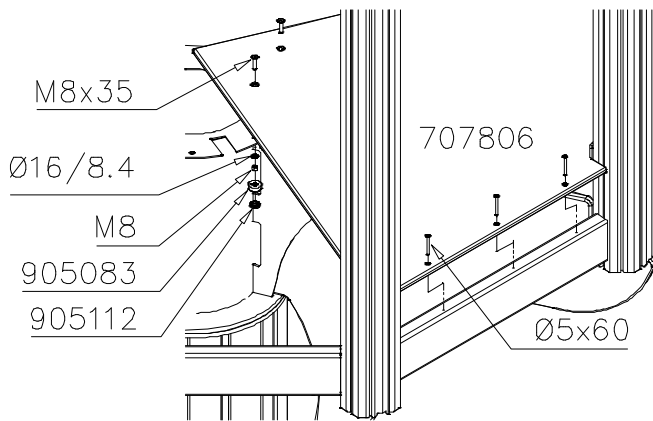
DET 3



NOTE! Make sure that the groove in bottom of post is in right position.



DET 4

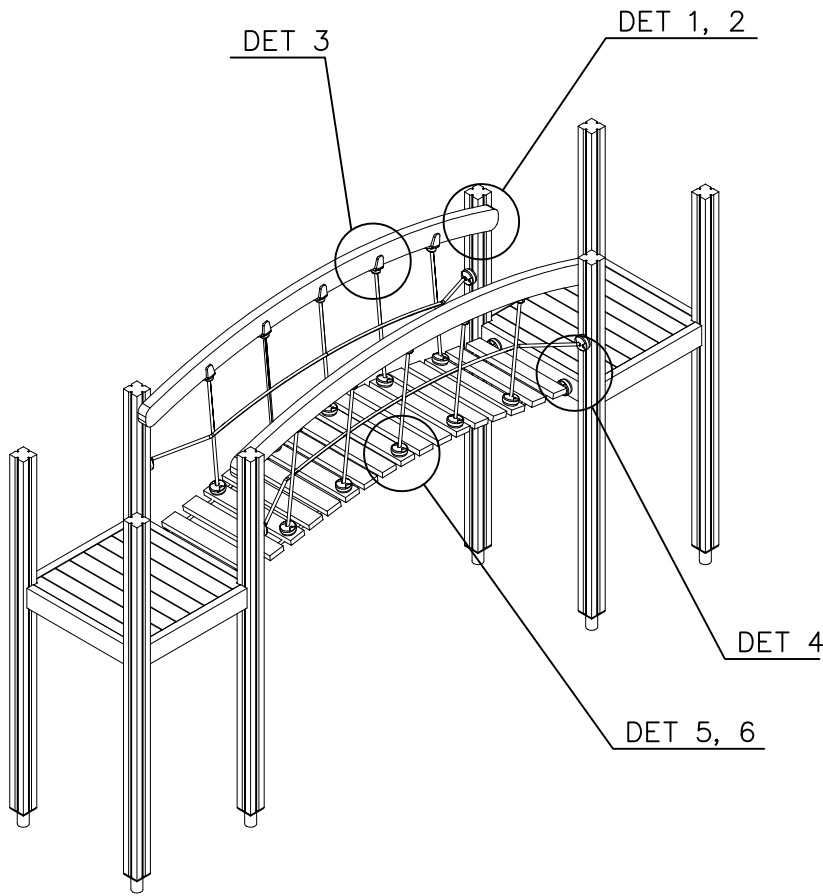


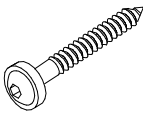
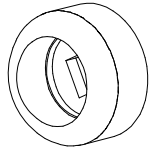
LAPPSET® FASTENER KIT

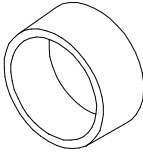

707876

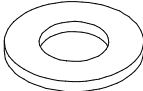
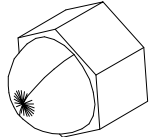
DATE: 5.5.2016

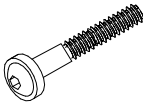
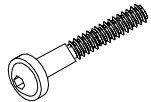
1(2)

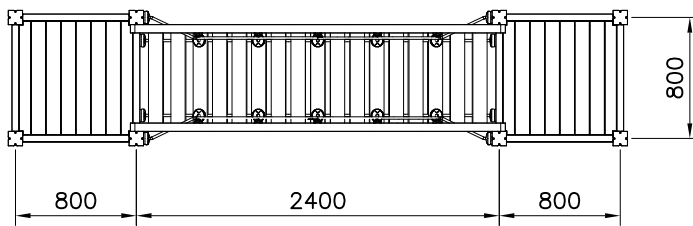




① 900240	PCS	② 905090	PCS
	16		4
Ø8x70		Ø45	

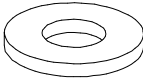
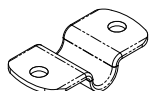
③ 905115	PCS	④ 909223	PCS
	4		4
Ø30		12x130	

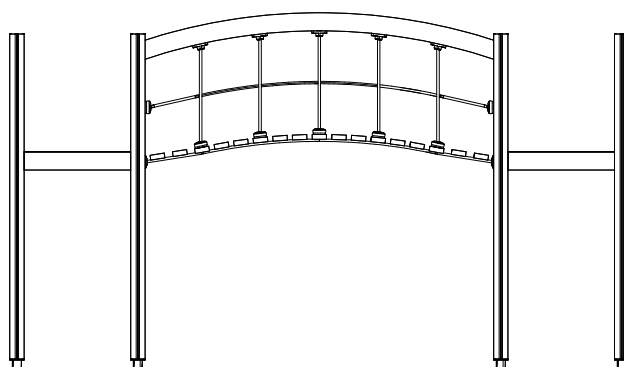
⑤ 909256	PCS	⑥ 909633	PCS
	68		68
Ø16/8.4x1.6		M8	


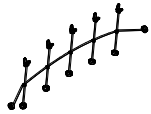
⑦ 909867	PCS	⑧ 909876	PCS
	20		48
M8x70		M8x40	

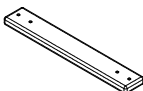



⑨ 980123	PCS	⑩ 980128	PCS
	20		10
Ø7x60		Ø7x40	

⑪ 980154	PCS	⑫ 908295	PCS
	4		34
Ø24/13		82x40x17x3	



○ 707584	PCS	○ 707604	PCS
	2		2
55x120x2480		685x2394	

○ 707607	PCS	○ 707608	PCS
	17		2
32x95x612		Ø16x2374	

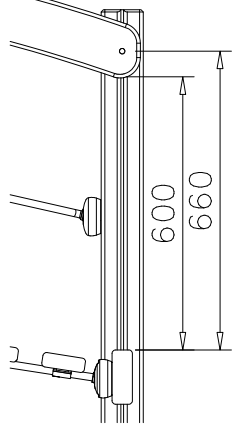
LAPPSET® FASTENER KIT

707876

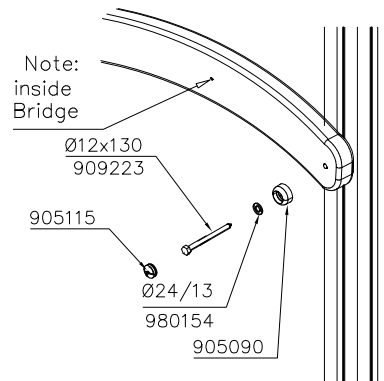
DATE: 5.5.2016

2(2)

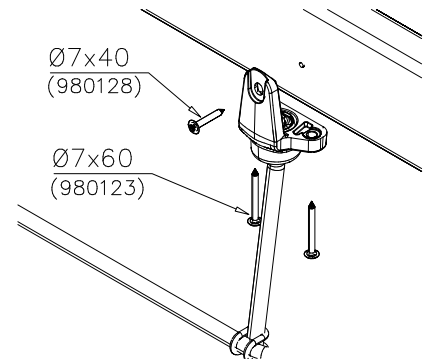
DET 1



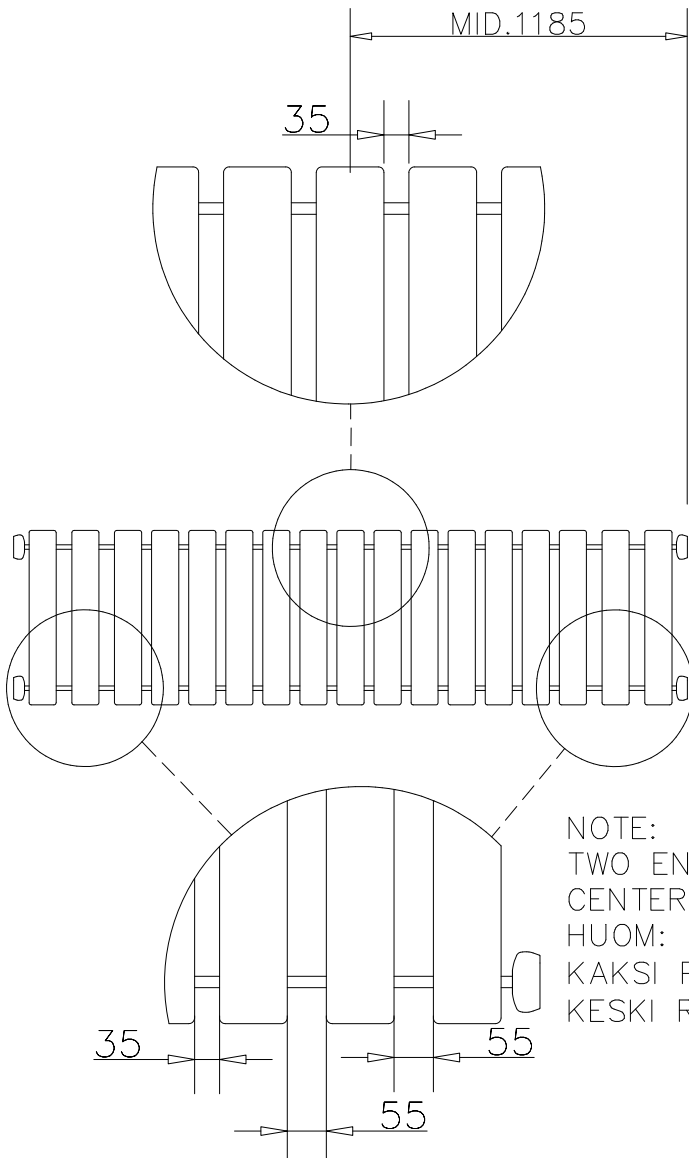
DET 2



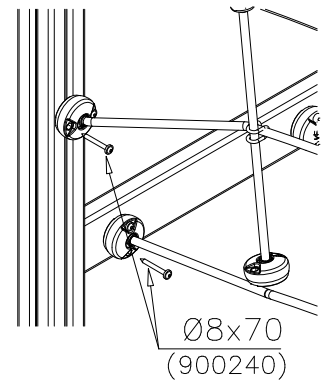
DET 3



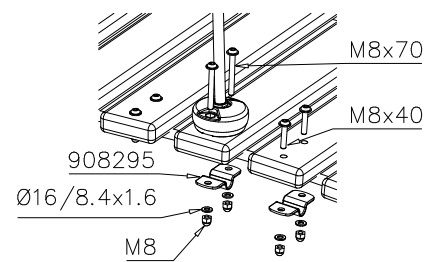
DET 6



DET 4



DET 5



NOTE:
TWO END GAPS 55mm,
CENTER GAPS 35mm
HUOM:
KAKSI PÄÄTY RAKOA 55mm,
KESKI RAOT 35mm