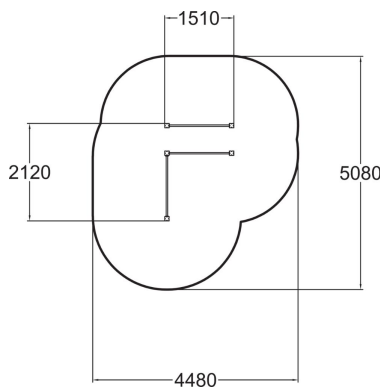
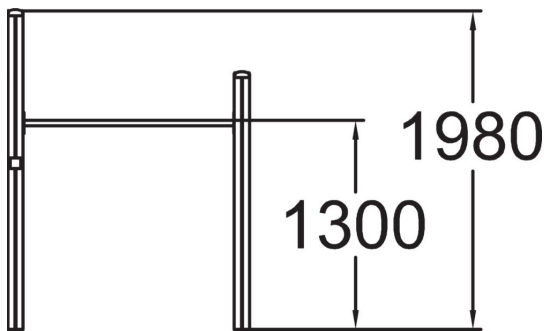
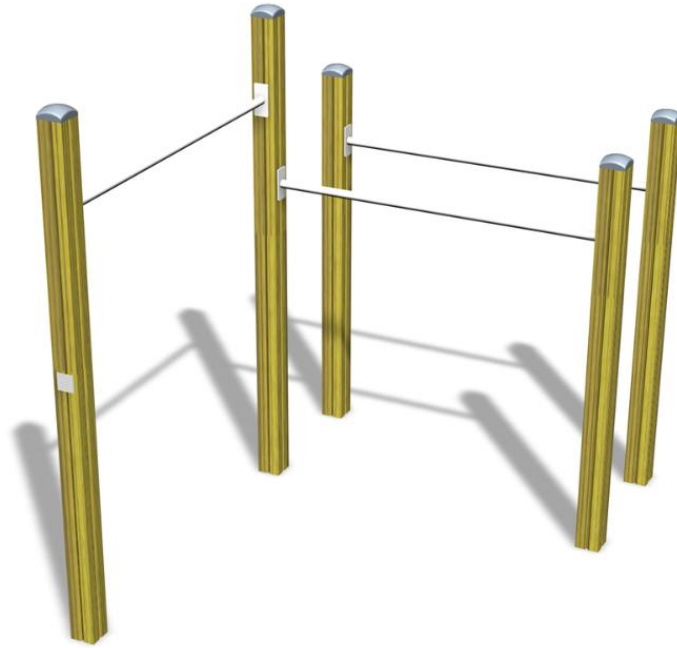


COMBINATION RACK



Product length, mm	2120
Product width, mm	1500
Product height, mm	1970
Impact area, m ²	18
Height required, mm	3130
Max. free fall height, mm	1630
Safety info	EN 16630, EN 1176-1 TÜV
Foundation options	Deep mounting
Wood	
Metal colour	