

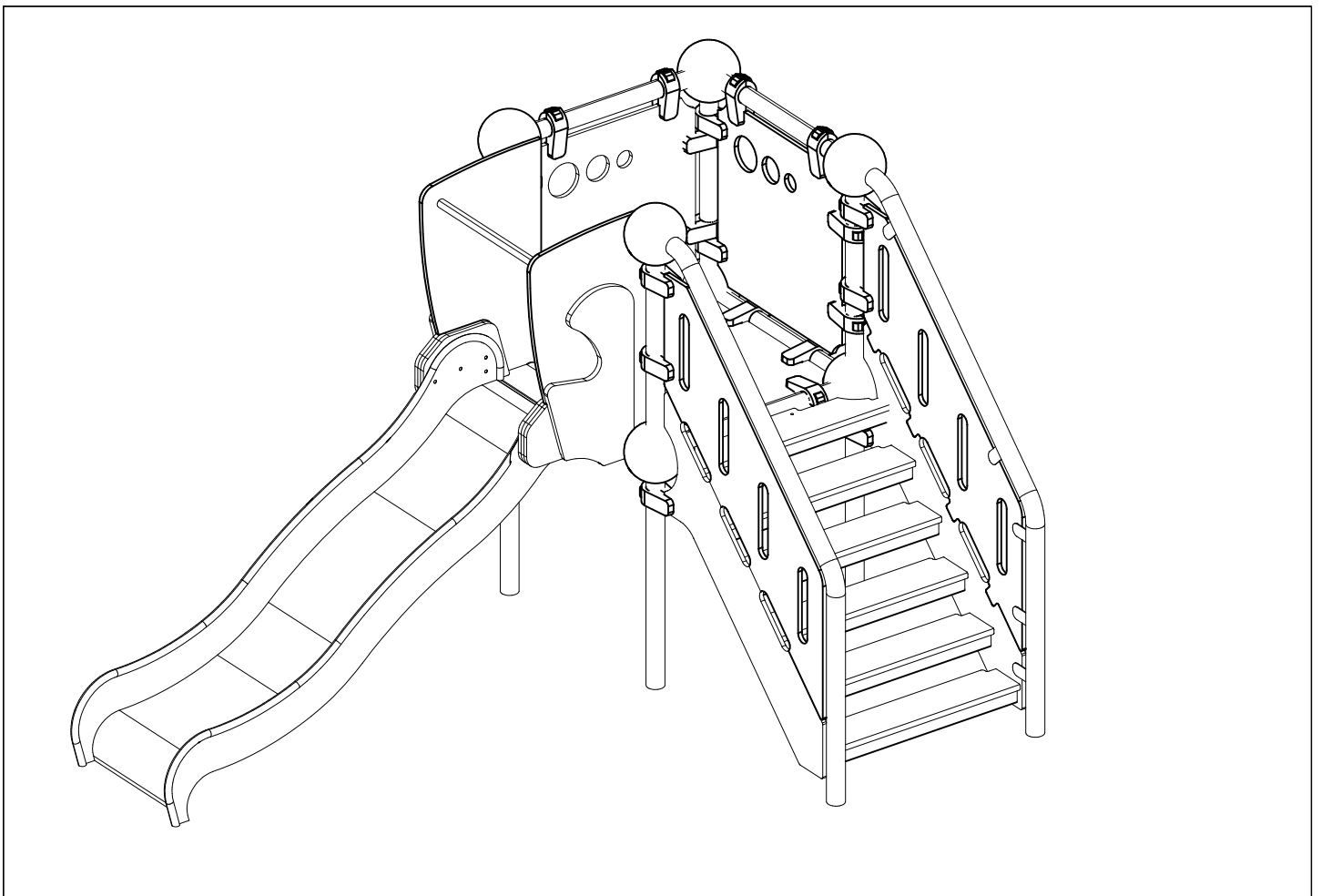
LAPPSET®

CLOXX


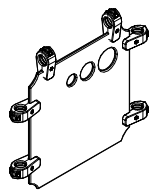

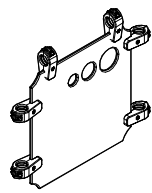

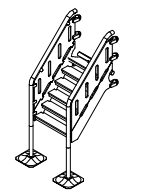

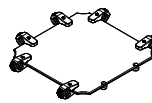

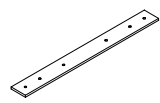
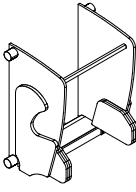

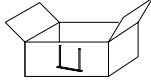
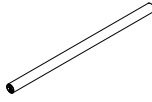
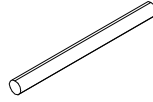
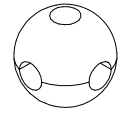



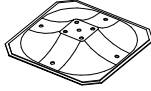
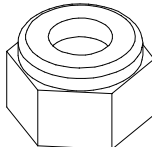
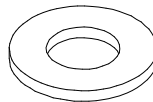
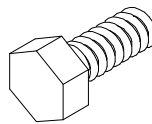
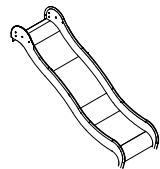
ASENNUSOHJE
MONTERINGSANSVISNING
INSTALLATION INSTRUCTION
AUFBAUANLEITUNG
NOTICE D'INSTALLATION

DATE: 21.2.2019

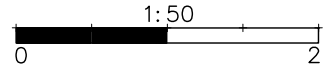
220300



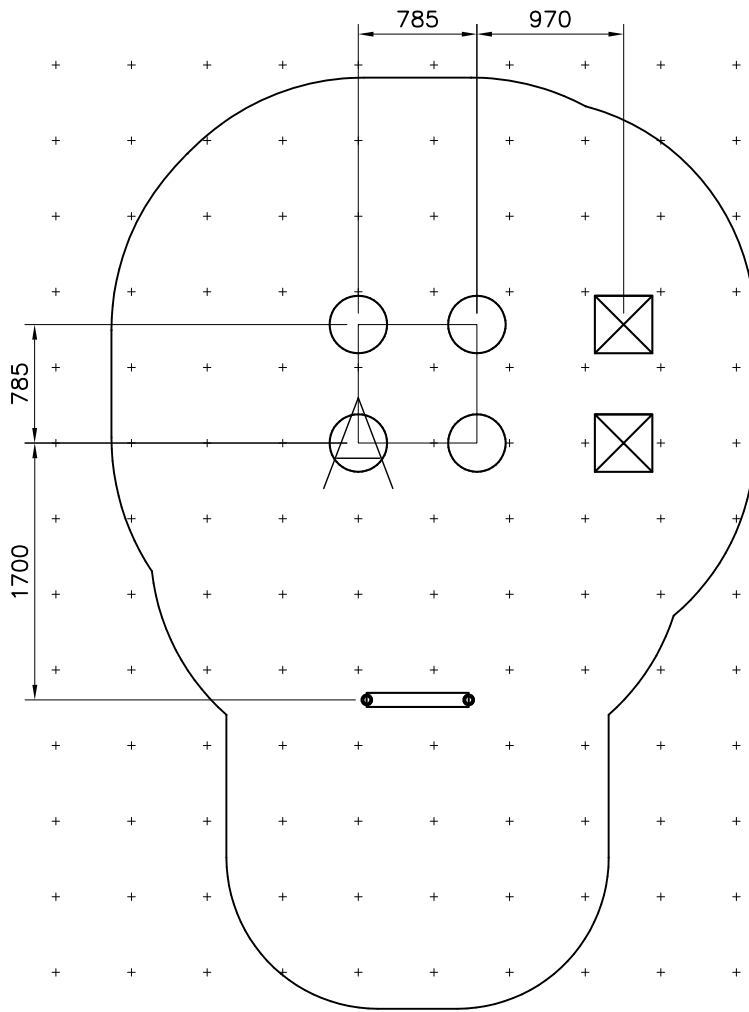
DATE: 21.2.2019

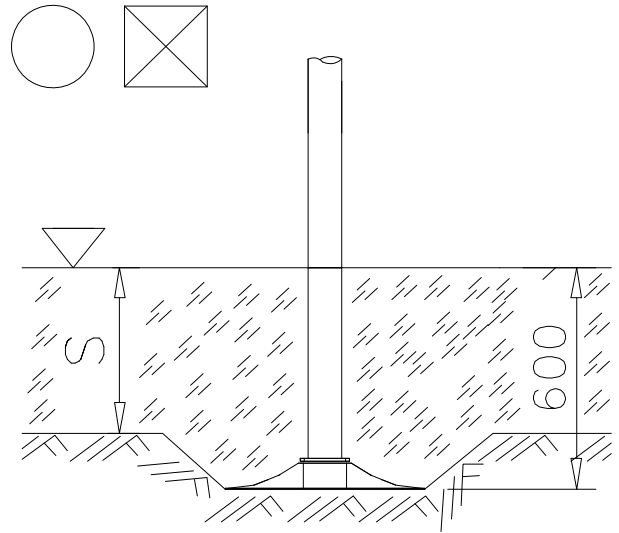
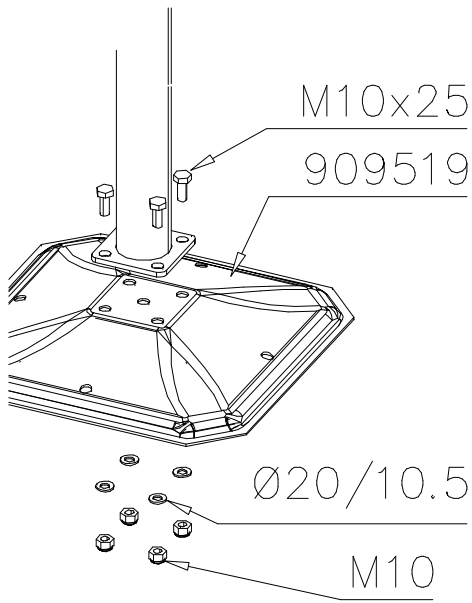
| | | | | | | | | | | | |
|------------------------------------------------------------------------------------------------------------------------------------------------------------------------------------------|----------|------------------------------------------------------------------------------------------------------------------------------------------------------------------------------------------|----------|------------------------------------------------------------------------------------------------------------------------------------------------------------------------------------------|-----------|-------------------------------------------------------------------------------------------------------------------------------------------------------------------------------------------|-----------|----------------------------------------------------------------------------------------------------------------------------------------------------------------------------------------------|-----------|--------------------------------------------------------------------------------------------------------------------|-----------|
| <p>702341</p>  <p>90x50</p> | PCS 1 | <p>704179</p>  <p></p> | PCS 1 | <p>704328</p>  <p></p> | PCS 1 | <p>704381</p>  <p></p> | PCS 1 | <p>704432</p>  <p></p> | PCS 1 | <p>707133</p>  <p>10x80x745</p> | PCS 1 |
| <p>708858</p>  <p></p> | PCS 1 | <p>709045</p>  | PCS 1 | <p>901868</p>  <p>Ø34x598</p> | PCS 2 | <p>902022</p>  <p>L 710</p> | PCS 4 | <p>902134</p>  <p></p> | PCS 8 | <p>902157</p>  <p>60x60x2</p> | PCS 22 |
| <p>904505</p>  <p>L 2137</p> | PCS 4 | <p>909519</p>  <p>380x380</p> | PCS 4 | <p>909637</p>  <p>M10</p> | PCS 16 | <p>909638</p>  <p>Ø20/10.5</p> | PCS 32 | <p>909639</p>  <p>M10x25</p> | PCS 16 | <p>909708</p>  <p>+870</p> | PCS 1 |
| | PCS | | PCS | | PCS | | PCS | | PCS | | PCS |
| | PCS | | PCS | | PCS | | PCS | | PCS | | PCS |
| | PCS | | PCS | | PCS | | PCS | | PCS | | PCS |
| | PCS | | PCS | | PCS | | PCS | | PCS | | PCS |

EN/AS Impact Area 20 m²

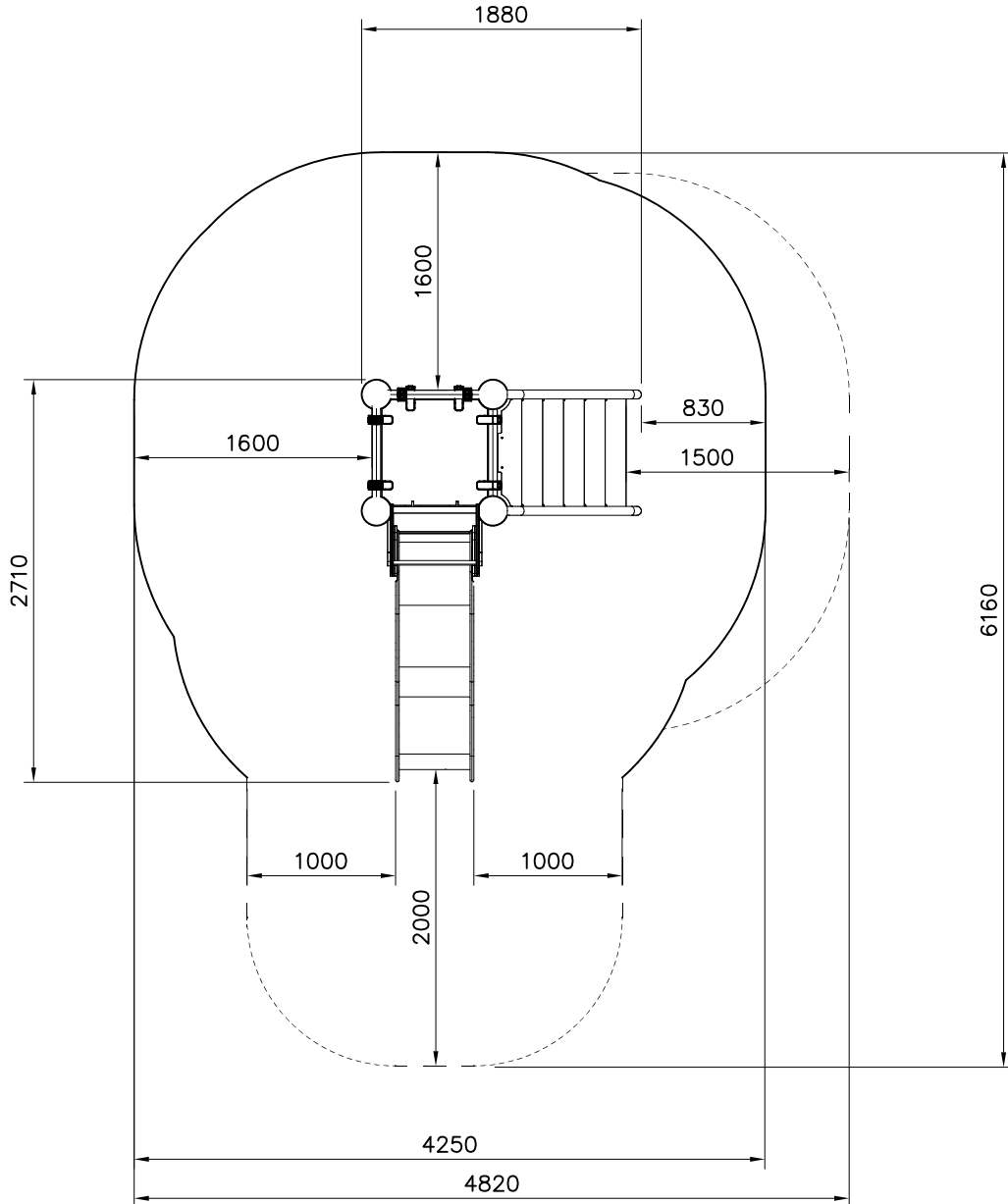
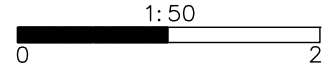


Grid size = 500 mm

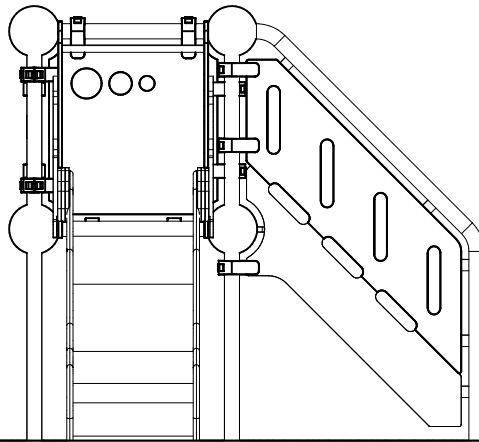




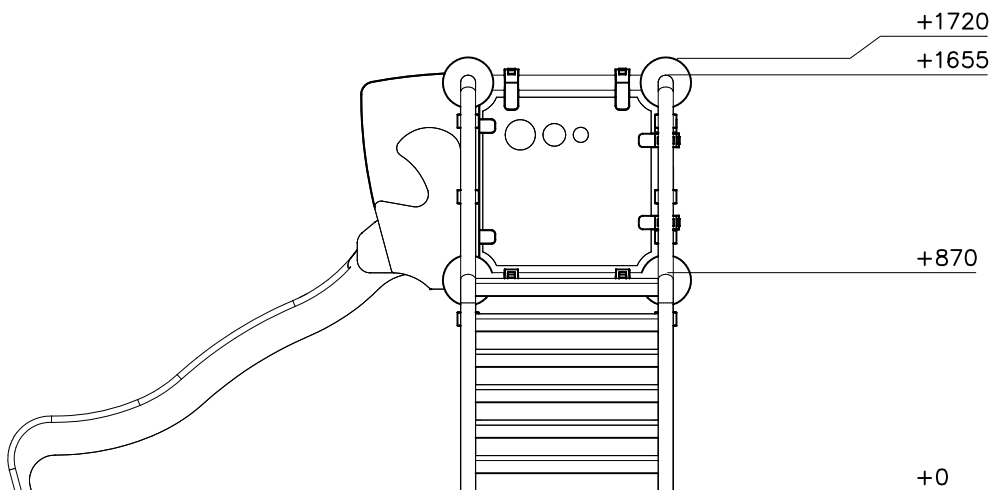
- EN/AS Impact Area 20 m²
- - - Falling Space 22 m²
Max Falling Height 1000 mm

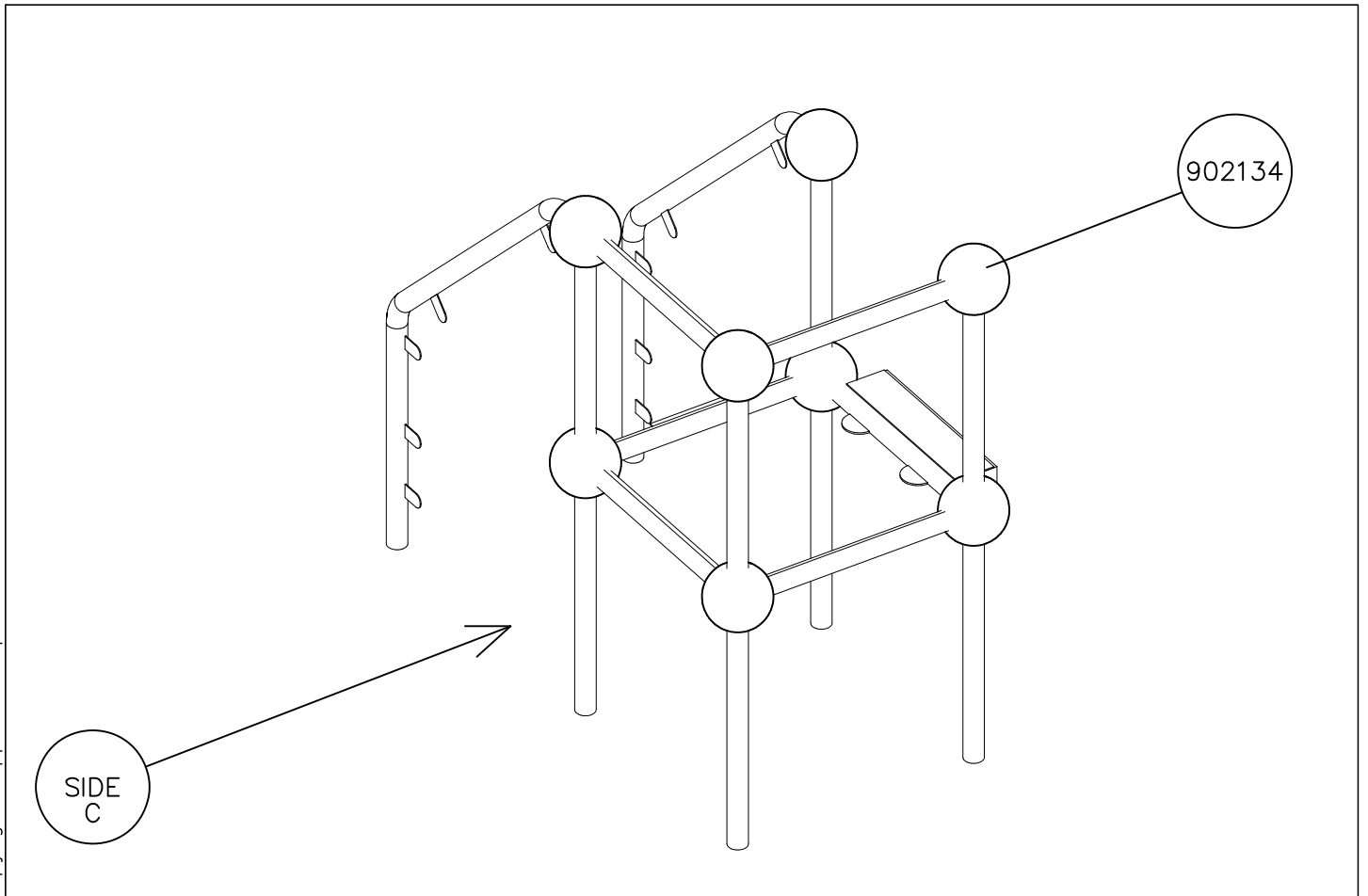
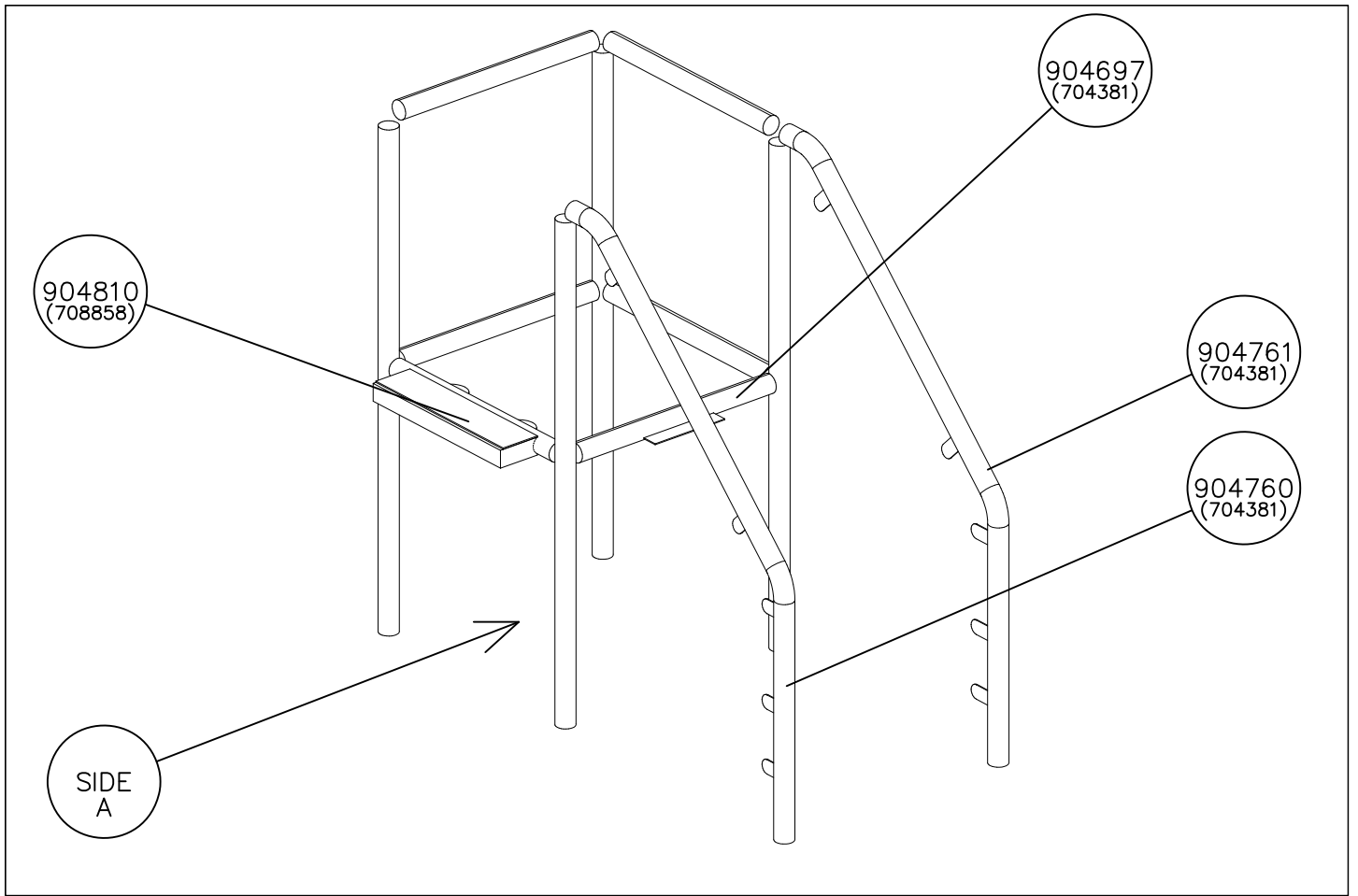


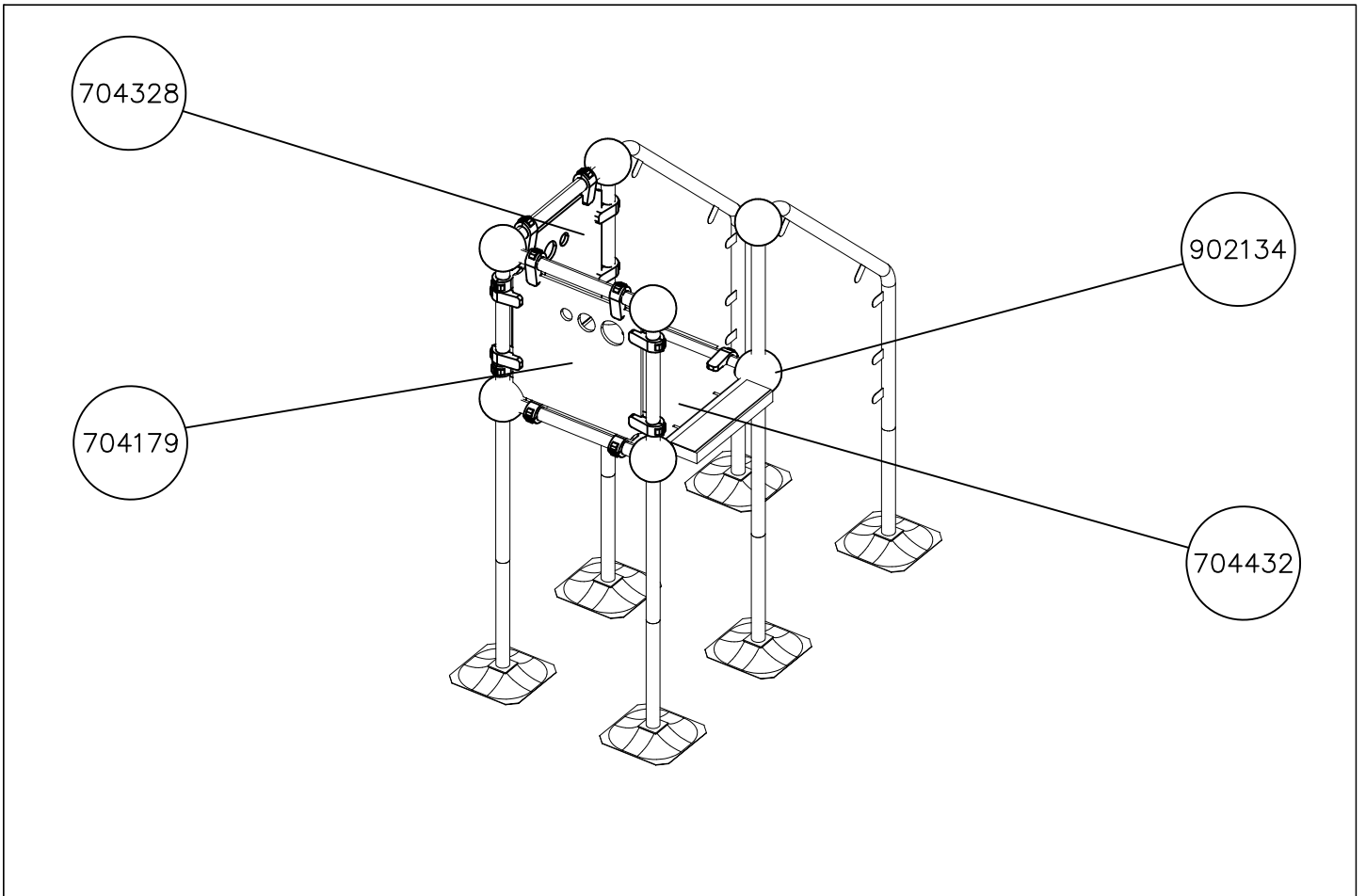
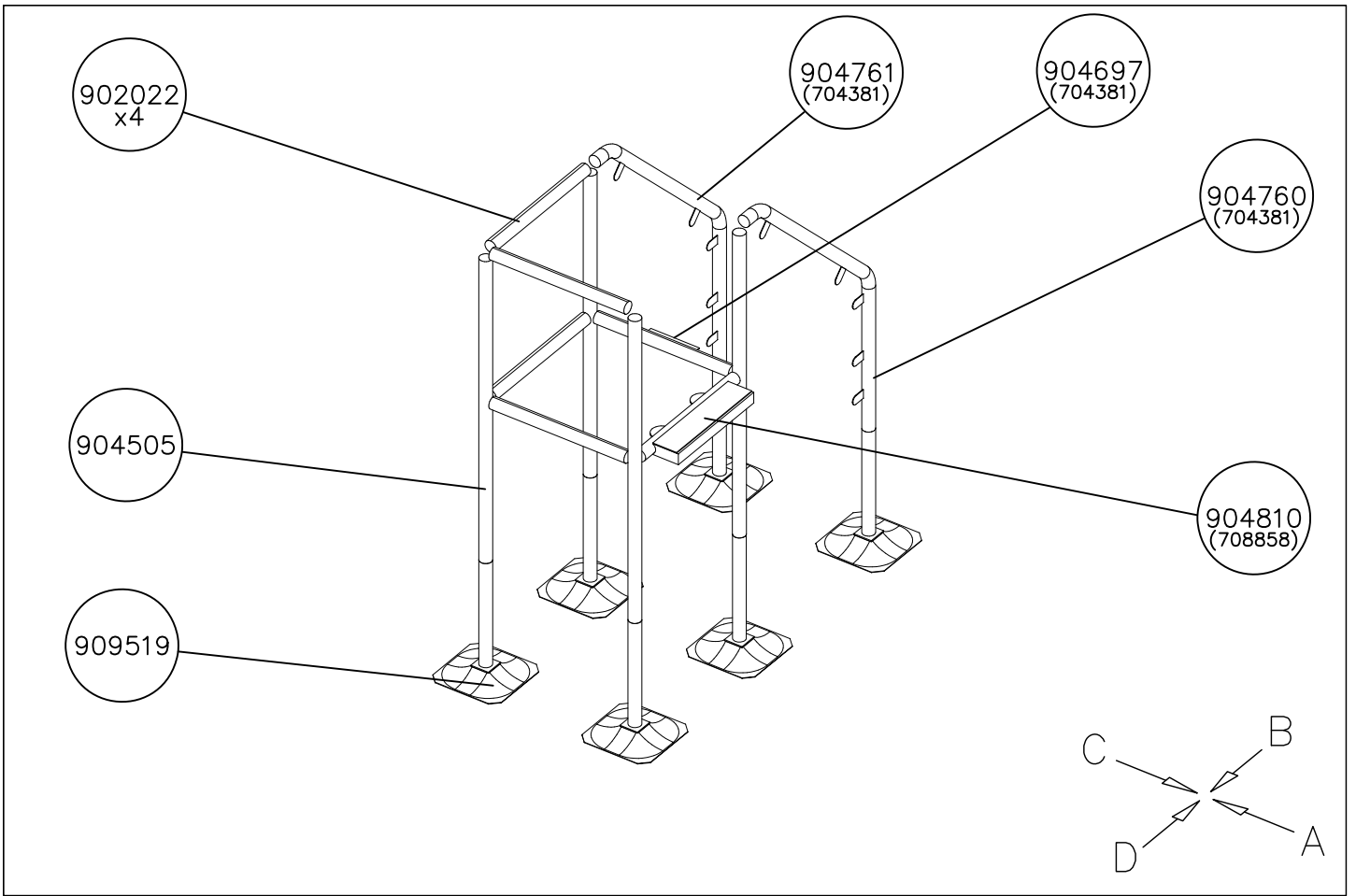
1:30



1:30



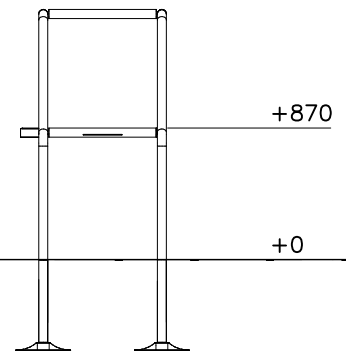
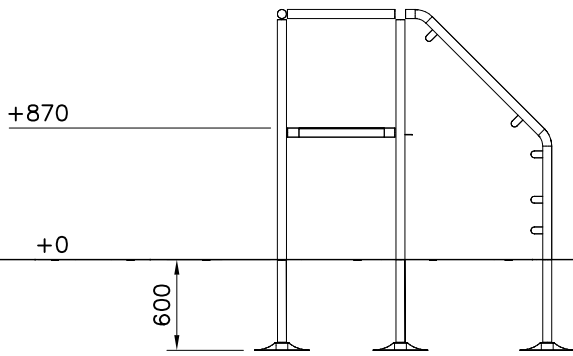




1:50

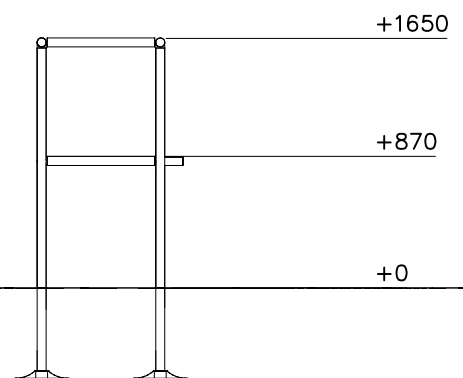
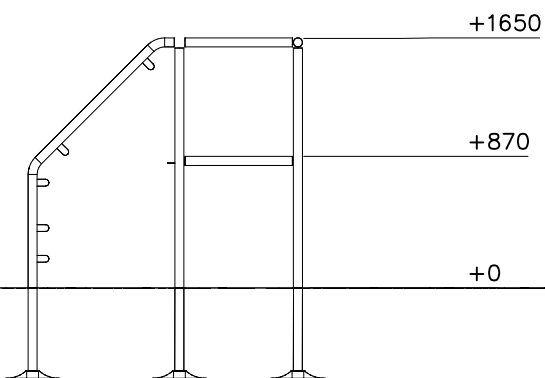
(A)

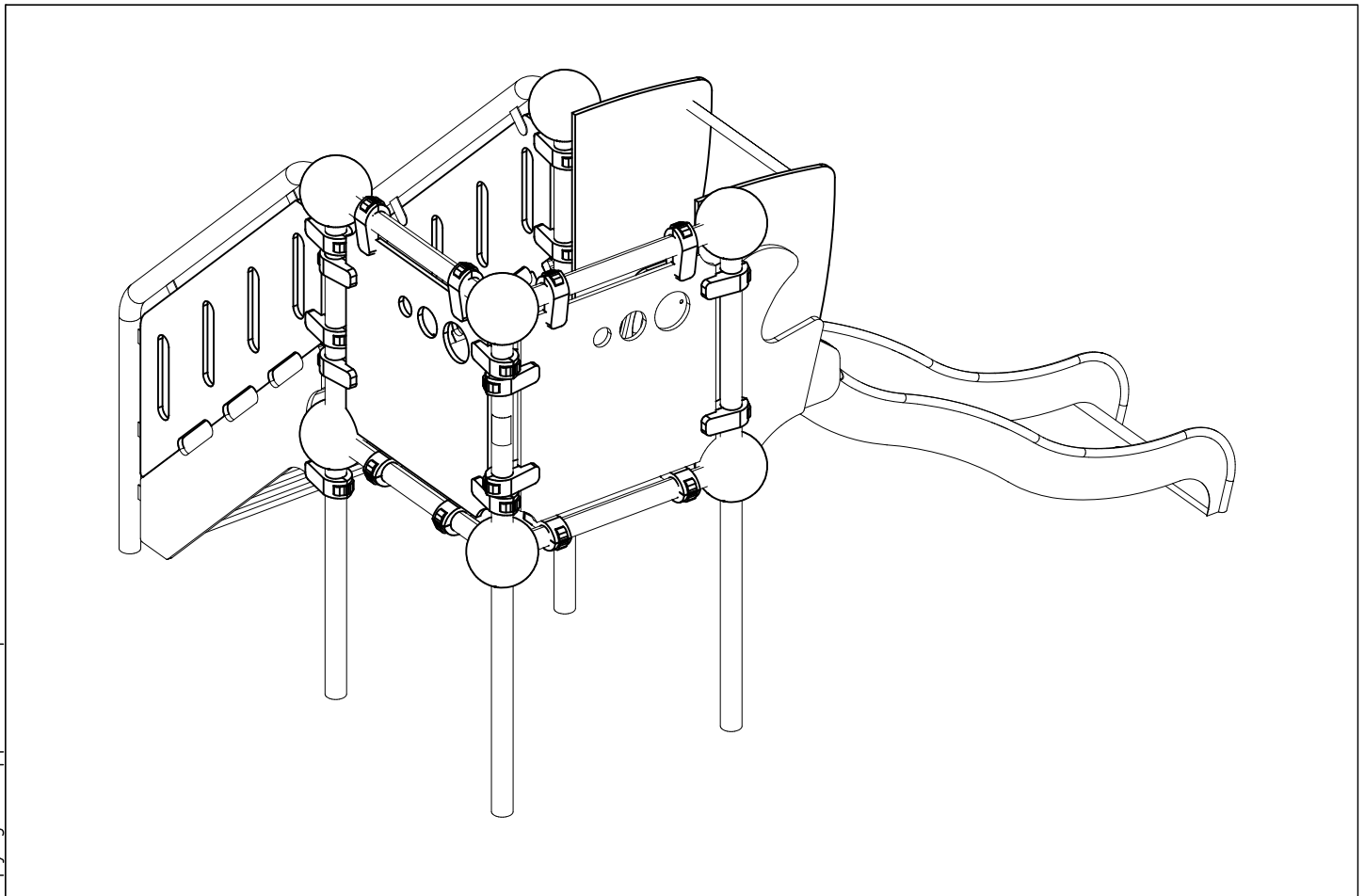
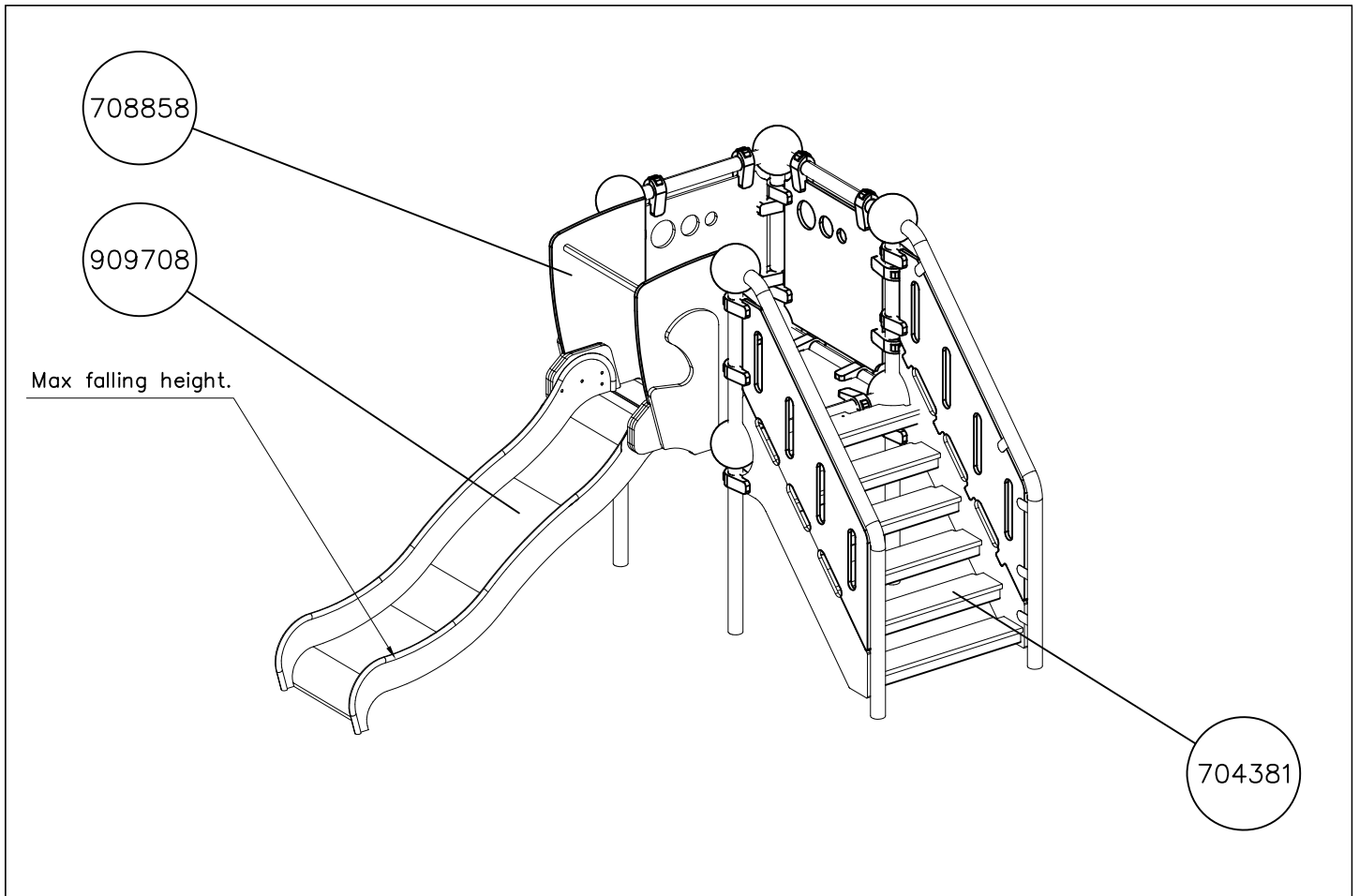
(B)



(C)

(D)





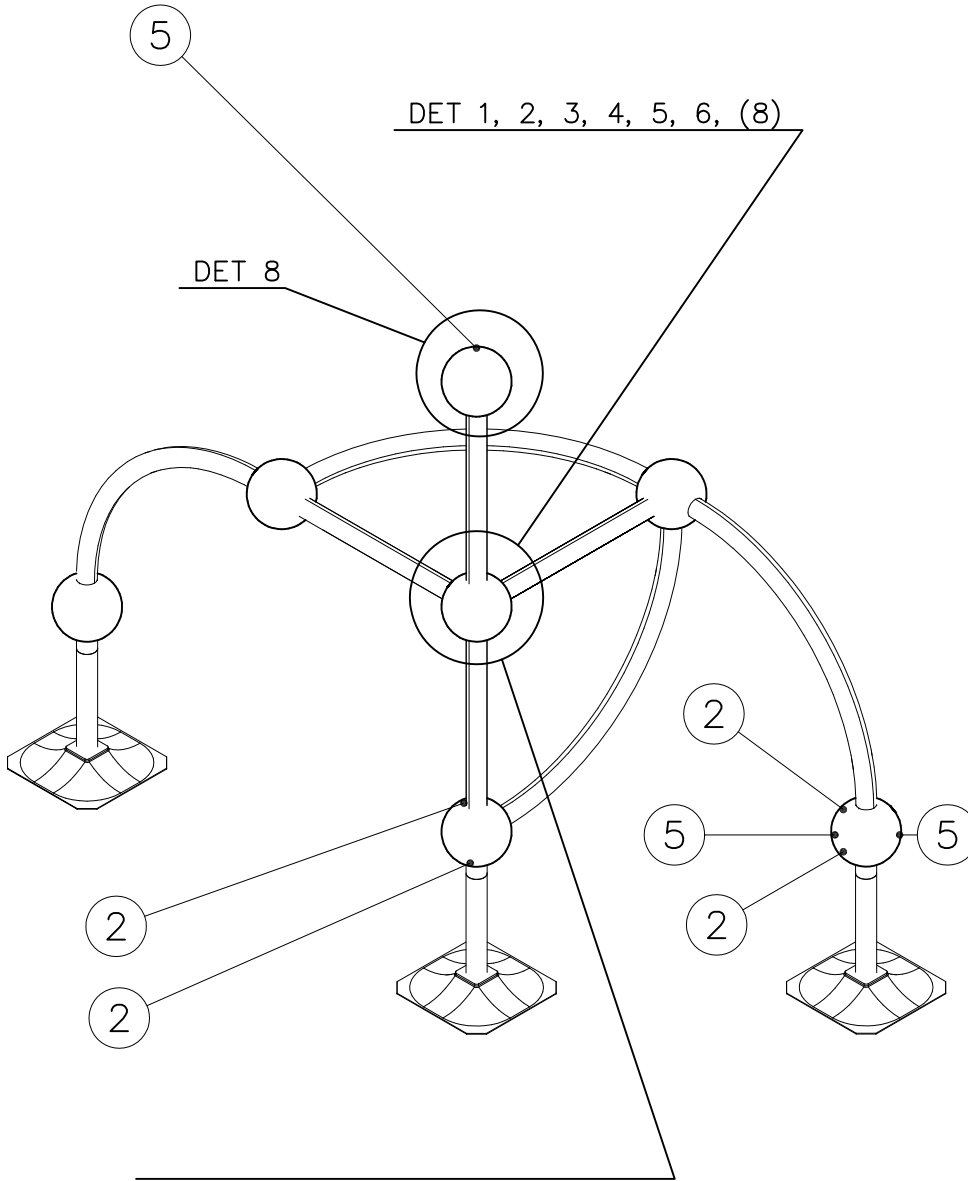
| | | |
|-------------------------------------------------------------------------------------------------|--------------------------------------------------------------------------------------------------------------------------------------------------------------------------------------------------------------------------------------------------------------------------------------------------------------|-----------------------------------------------------------------------------------------------------------------------------------------------------------------------------------------------------------------------------------------------------------------------------------------------------------------------------|
|  | | |
| <p>$h < 600$</p> <p>Without movement and therefore without Impact Area</p> | <p>Totally hard surfaces.</p> <p>Note. Lappset does <u>not recommend</u> totally hard surfaces at all.</p> | <p>E.g. concrete or asphalt</p>  |
| <p>$h < 600$</p> <p>With movement e.g. rocking</p> | <p>Materials with very limited impact attenuating properties.</p> | <p>E.g. wood</p>  |
| <p>$h < 1000$</p> | <p>Materials with significant impact attenuating properties.</p> | <p>fine gravel 0–8 mm</p>  <p>grass</p>  <p>unsorted sand</p>  |
| <p>$h < 3000$</p> | <p>Loose fill material</p> <p>E.g. sand/gravel 0,25...8 mm D60/D10<3,0 Woodchips 5...30 mm bark 20...80 mm</p> |  <p>\underline{S} \underline{h}</p> <p>30 cm < 2,0 m</p> <p>40 cm < 3,0 m</p> |
| | <p>Syntethic granulates</p> <p>\underline{S} \underline{h}</p> <p>40 mm ~> 1,2...1,3 m</p> <p>50 mm ~> 1,5...1,7 m</p> <p>60 mm ~> 1,8...2,0 m</p> <p>70 mm ~> 2,1...2,5 m</p> <p>Note. For accurate values, see manufacturer's instructions.</p> |  |

REMOVE SAFETY SURFACE/SAND/GRAVEL
TO CHECK FOUNDATION

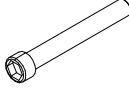

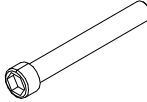



REMOVE SAFETY SURFACE/SAND/GRAVEL
TO CHECK FOUNDATION

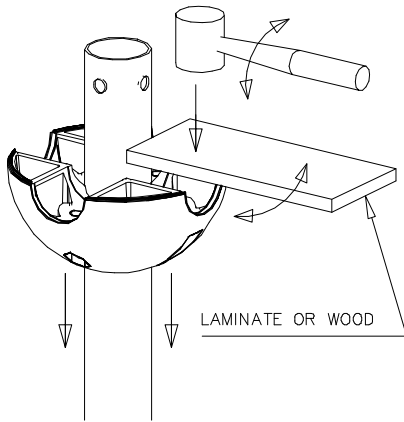




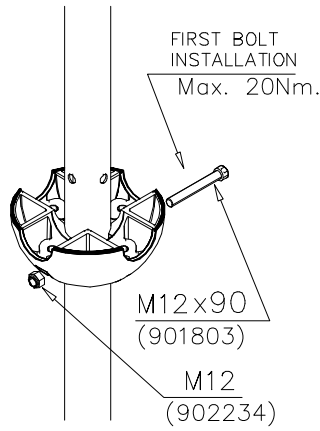
DO NOT TIGHTEN THE JOINTS UNTIL THE STRUCTURE IS COMPLETE.

| | | | |
|-------------------------------------------------------------------------------------|-----|-------------------------------------------------------------------------------------|-----|
| ① 901803 | PCS | ② 901994 | PCS |
|  | 2 |  | 2 |
| M12x90 | | Ø190 | |
| ③ 902096 | PCS | ④ 902234 | PCS |
|  | 4 |  | 6 |
| M12x120 | | M12 | |
| | PCS | | PCS |
| | | | |
| | PCS | | PCS |
| | | | |
| | PCS | | PCS |
| | | | |
| | PCS | | PCS |
| | | | |
| | PCS | | PCS |
| | | | |
| | PCS | | PCS |
| | | | |

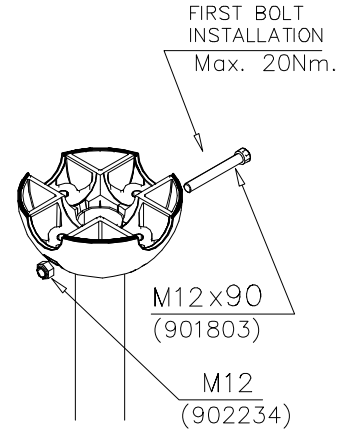
DET 1



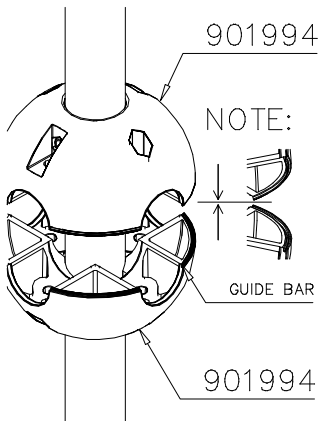
DET 2



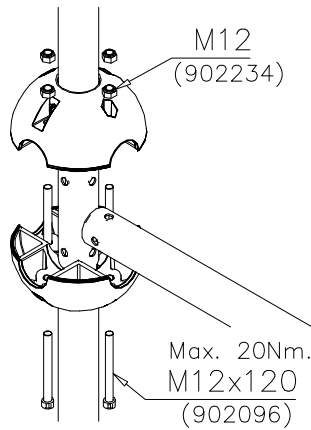
DET 3



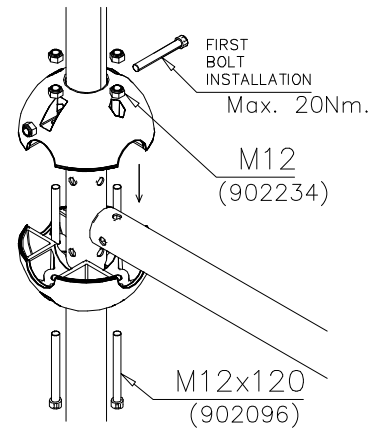
DET 4



DET 5

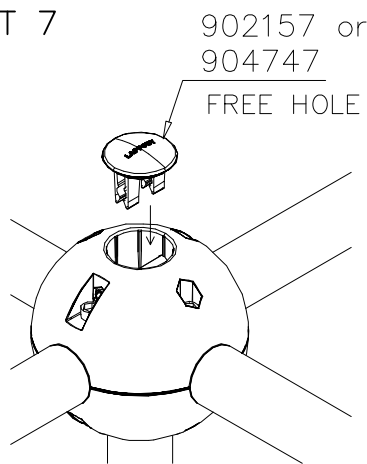


DET 6



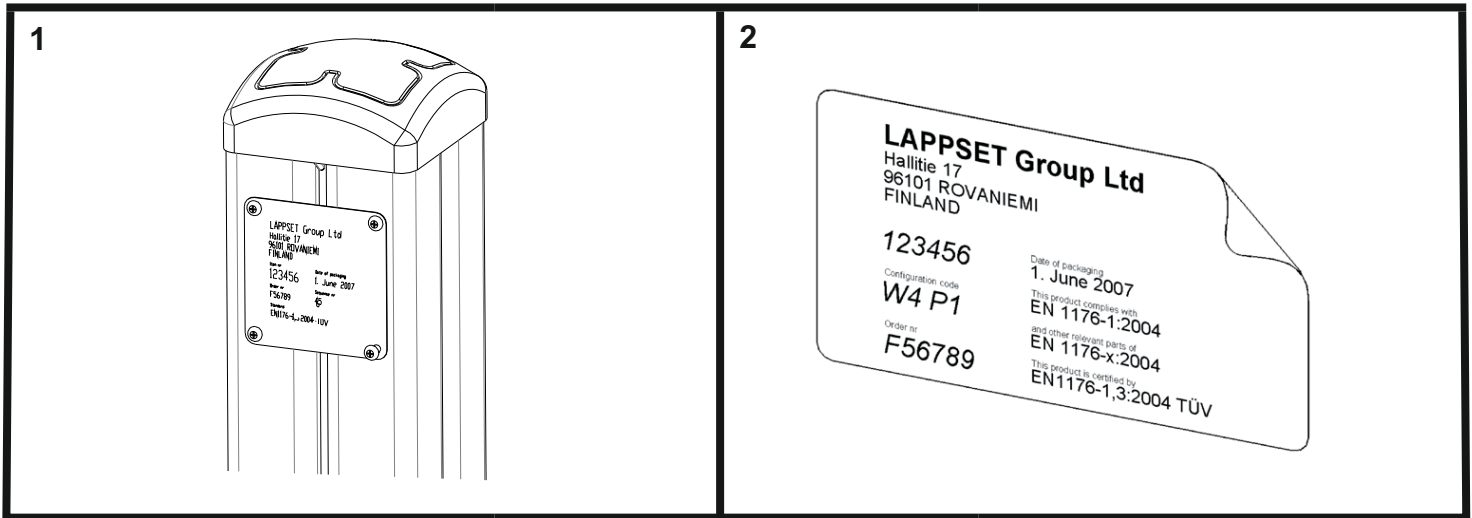
REMEMBER
FINAL
TIGHTENING

DET 7



DET 8





Tuotekyltti tulee tuotteen mukana yhdellä seuraavista tavoista:

1) Metallinen tuotekyltti ja kiinnitysruuvit

- Kiinnitä tuotekyltti ruuveilla tolppaan noin 2 metrin korkeuteen kuvan 2 mukaisesti.

2) Tuotekylttitarra

- Puhdista maalattu metalli- tai vaneripinta pölystä ja kosteudesta. Liimaa tarra kuvan 3 mukaisesti.
- Huom. Älä kiinnitä tarraa karheapintaiseen laminaattiin tai maalattuun puuhun.

Vår produktmärkning levereras på ett av följande sätt:

1) Produktskylt i metall

- Fäst skylten med de medföljande skruvarna

2) Självhäftande produktetikett

- Rengördenpulverlackerademetallytanellerlaminatytansåttndenblirfrifrånsmutsochfukt.Fästetikettenenligtfig.3.
- Obs! Fäst ej etiketten på detaljer med skrovlig yta eller på målat trä.

Product label is delivered by one of following ways:

1) Metal product label and screws

- Fasten the label with screws.

2) Label sticker

- Cleanthepaintedmetalorplywoodsurfacefromdirtandmoisture.Fastenthestickerasshowninthefigure3.
- Note. Do not attach the sticker to rough surfaced laminate or painted wood.

La plaque d'informations produit est livrée sous l'une de ces 3 formes :

1) Plaque métallique et vis

- Fixez la plaque à l'aide des vis.

2) Etiquette autocollante

- Avant de coller l'étiquette, nettoyez le composant métallique peint ou la plaque de contreplaqué, de toute saleté. La surface doit être sèche (voir image 3).
- Attention, ne pas coller l'étiquette sur une surface lamellé-collée irrégulière ou sur du bois peint.

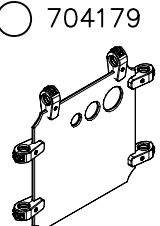
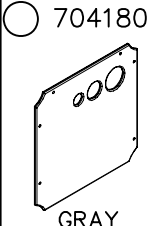
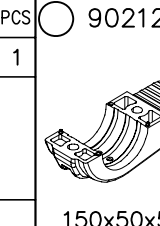
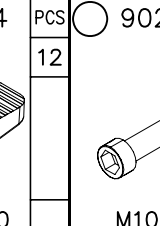
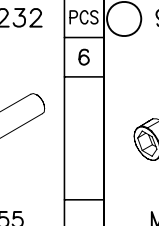
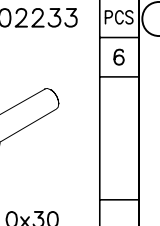
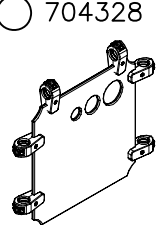
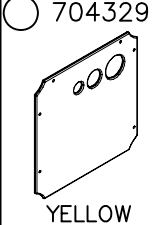
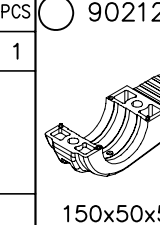
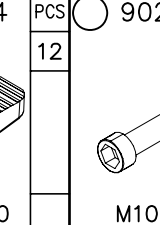
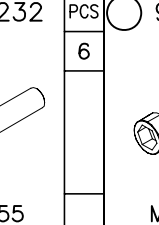
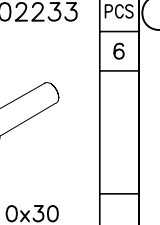
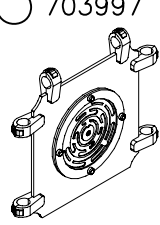
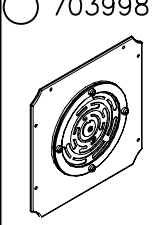
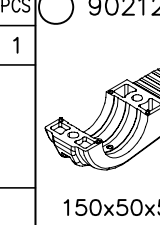
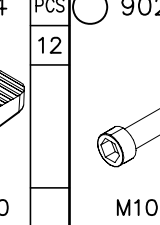
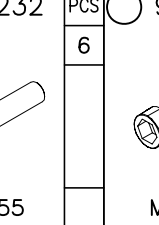
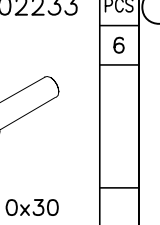
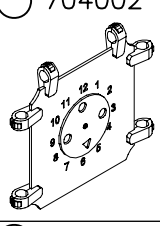
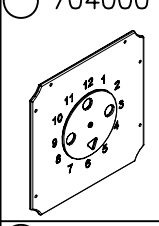
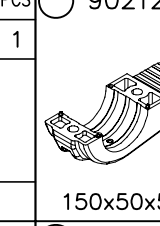
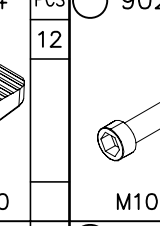
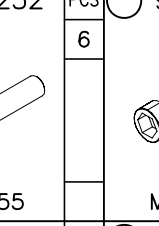
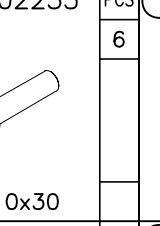
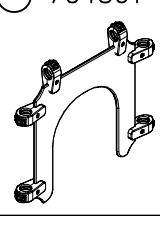
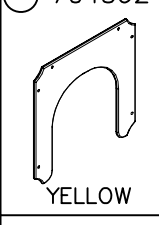
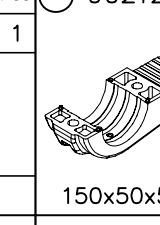
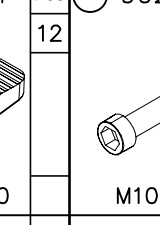
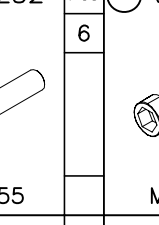
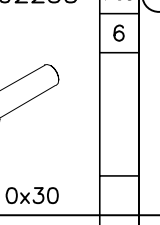
Die Auslieferung des Produktaufklebers erfolgt auf eine dieser Arten:

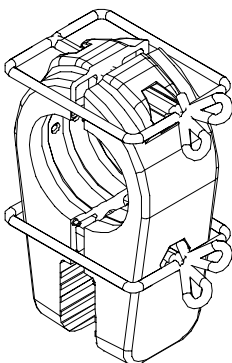
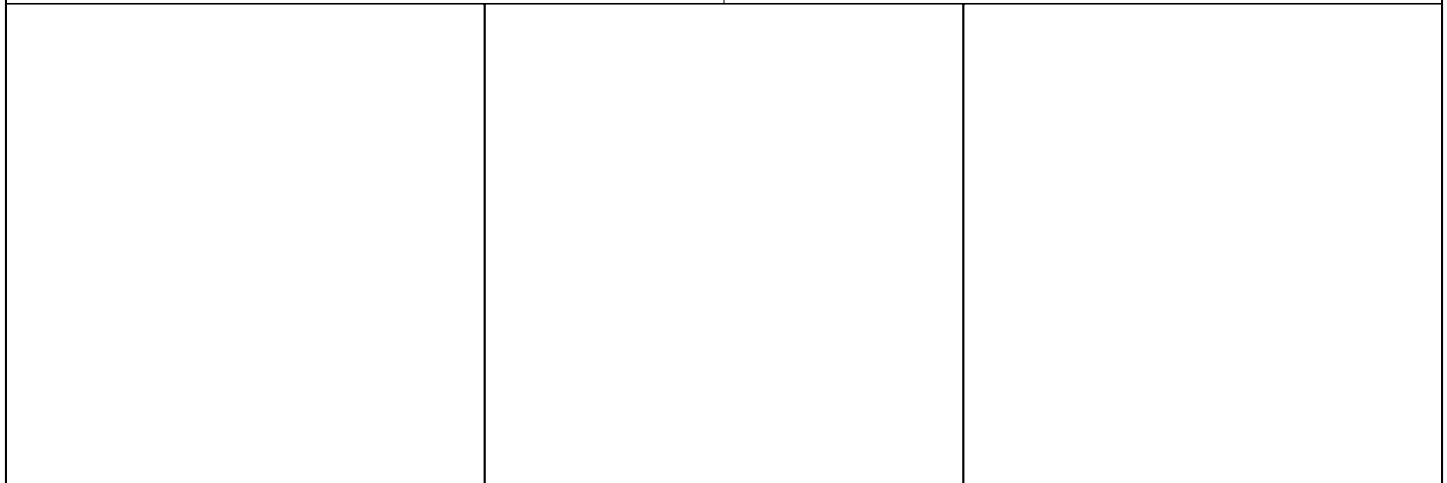
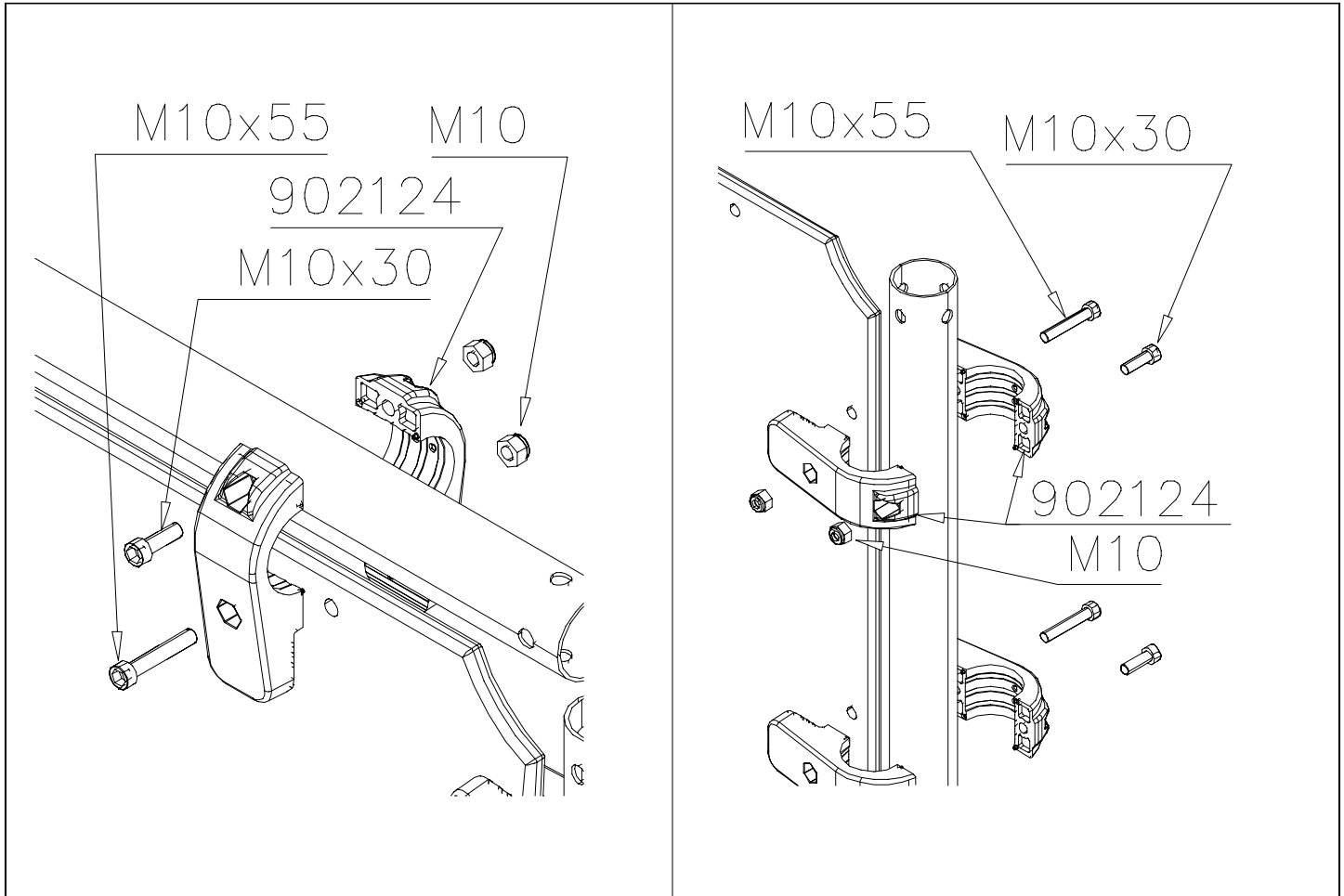
1) Produkt-Schild aus Metall incl. Schrauben

- Die Befestigung des Schildes erfolgt mittels der Schrauben.

2) Aufkleber

- EntfernenSiezunächstSchmutzundFeuchtigkeitvomlackiertenMetallbzw.vonderHolzoberflächeundbringenSiedenAufkleber wie im Bild oben rechts beschrieben auf den gesäuberten Untergrund auf.
- Beachten Sie: Bringen Sie den Aufkleber nicht auf raues laminiertes oder lackiertes Holz an.

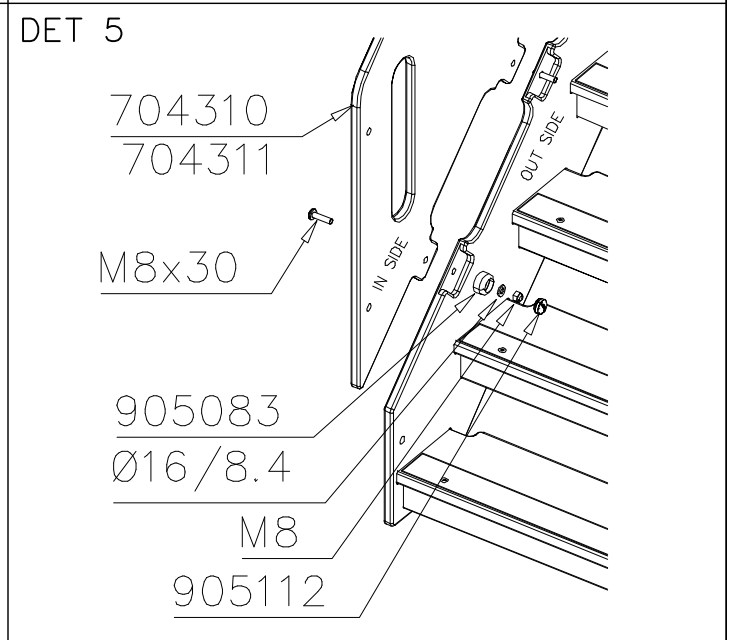
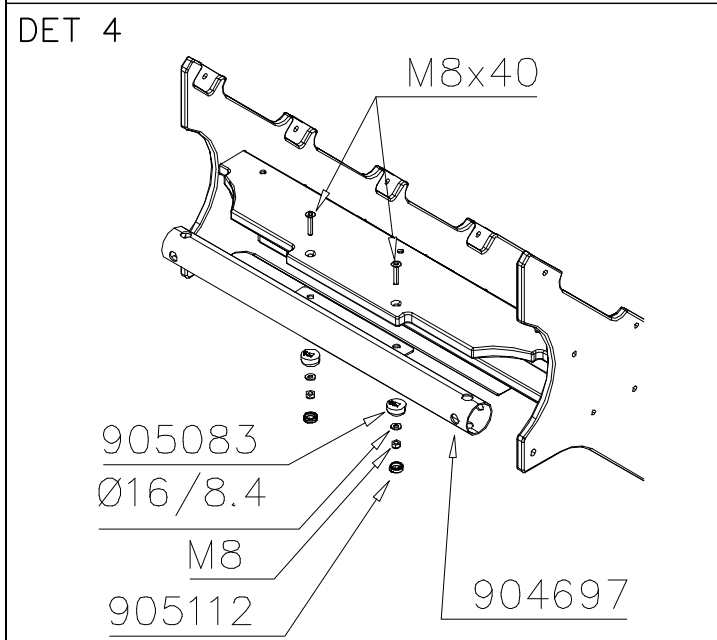
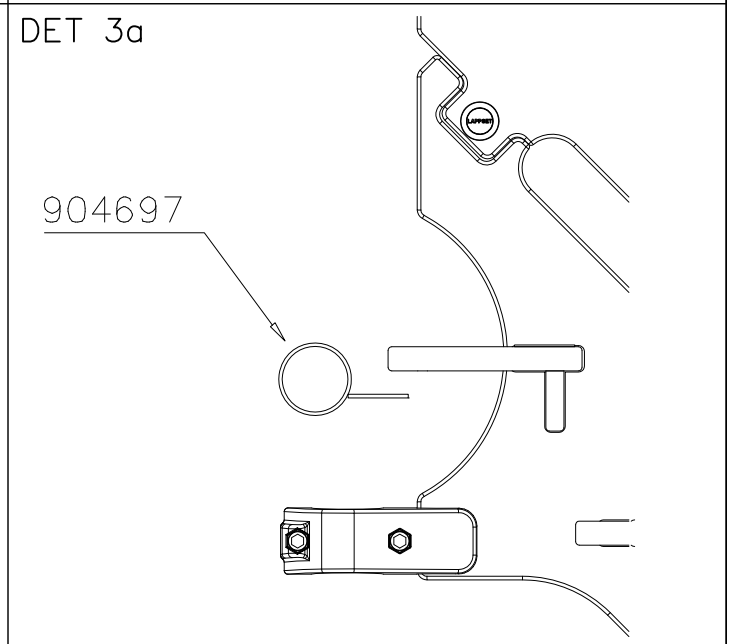
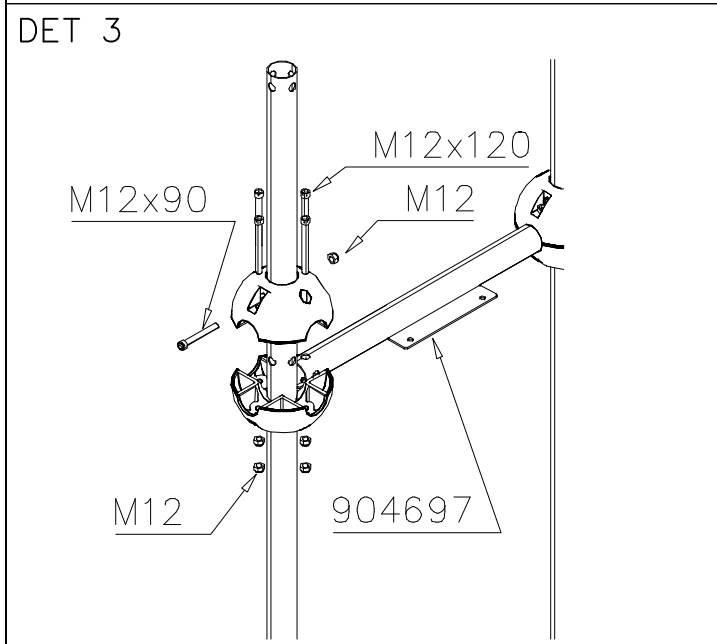
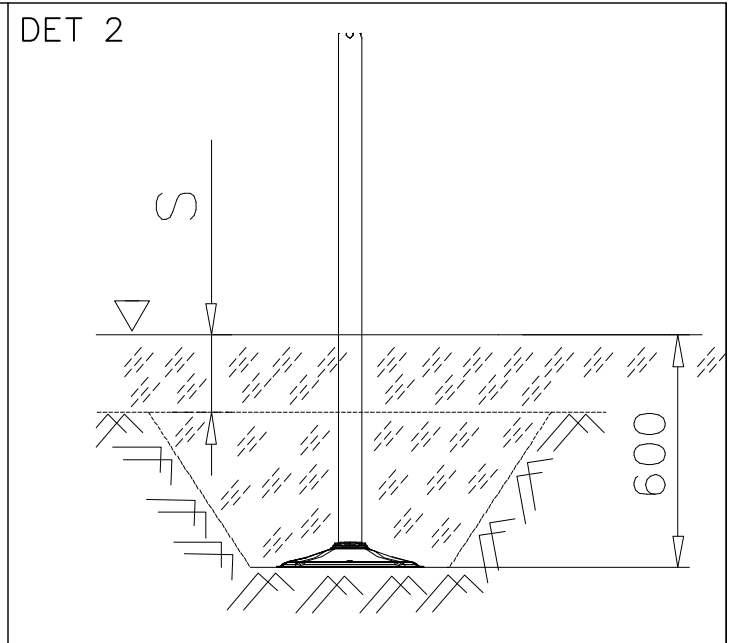
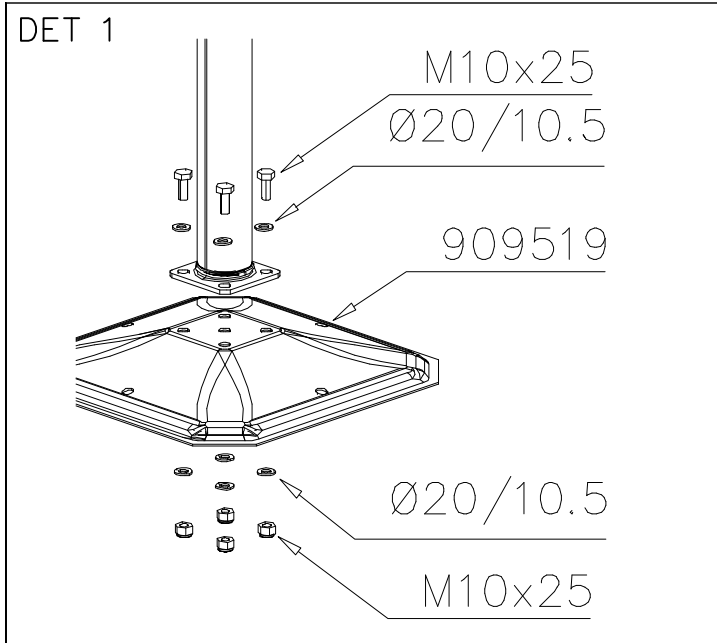
| | | | | | | | | | | | | |
|--------------------------------------------------------------------------------------------------|--------------------------------------------------------------------------------------------------------------|---------------------|--------------------------------------------------------------------------------------------------------------------|----------------------|-----------------------------------------------------------------------------------------------------------------|---------------------|-----------------------------------------------------------------------------------------------------------------|---------------------|---------------------------------------------------------------------------------------------------------------|----------------------|--|------------|
|  <p>704179</p> |  <p>704180 GRAY</p> | <p>PCS</p> <p>1</p> |  <p>902124</p> <p>150x50x50</p> | <p>PCS</p> <p>12</p> |  <p>902232</p> <p>M10x55</p> | <p>PCS</p> <p>6</p> |  <p>902233</p> <p>M10x30</p> | <p>PCS</p> <p>6</p> |  <p>980161</p> <p>M10</p> | <p>PCS</p> <p>12</p> | | <p>PCS</p> |
|  <p>704328</p> |  <p>704329 YELLOW</p> | <p>PCS</p> <p>1</p> |  <p>902124</p> <p>150x50x50</p> | <p>PCS</p> <p>12</p> |  <p>902232</p> <p>M10x55</p> | <p>PCS</p> <p>6</p> |  <p>902233</p> <p>M10x30</p> | <p>PCS</p> <p>6</p> |  <p>980161</p> <p>M10</p> | <p>PCS</p> <p>12</p> | | <p>PCS</p> |
|  <p>703997</p> |  <p>703998</p> | <p>PCS</p> <p>1</p> |  <p>902124</p> <p>150x50x50</p> | <p>PCS</p> <p>12</p> |  <p>902232</p> <p>M10x55</p> | <p>PCS</p> <p>6</p> |  <p>902233</p> <p>M10x30</p> | <p>PCS</p> <p>6</p> |  <p>980161</p> <p>M10</p> | <p>PCS</p> <p>12</p> | | <p>PCS</p> |
|  <p>704002</p> |  <p>704000</p> | <p>PCS</p> <p>1</p> |  <p>902124</p> <p>150x50x50</p> | <p>PCS</p> <p>12</p> |  <p>902232</p> <p>M10x55</p> | <p>PCS</p> <p>6</p> |  <p>902233</p> <p>M10x30</p> | <p>PCS</p> <p>6</p> |  <p>980161</p> <p>M10</p> | <p>PCS</p> <p>12</p> | | <p>PCS</p> |
|  <p>704361</p> |  <p>704362 YELLOW</p> | <p>PCS</p> <p>1</p> |  <p>902124</p> <p>150x50x50</p> | <p>PCS</p> <p>12</p> |  <p>902232</p> <p>M10x55</p> | <p>PCS</p> <p>6</p> |  <p>902233</p> <p>M10x30</p> | <p>PCS</p> <p>6</p> |  <p>980161</p> <p>M10</p> | <p>PCS</p> <p>12</p> | | <p>PCS</p> |
| | | <p>PCS</p> | | <p>PCS</p> | | <p>PCS</p> | | <p>PCS</p> | | <p>PCS</p> | | <p>PCS</p> |
| | | <p>PCS</p> | | <p>PCS</p> | | <p>PCS</p> | | <p>PCS</p> | | <p>PCS</p> | | <p>PCS</p> |
| | | <p>PCS</p> | | <p>PCS</p> | | <p>PCS</p> | | <p>PCS</p> | | <p>PCS</p> | | <p>PCS</p> |



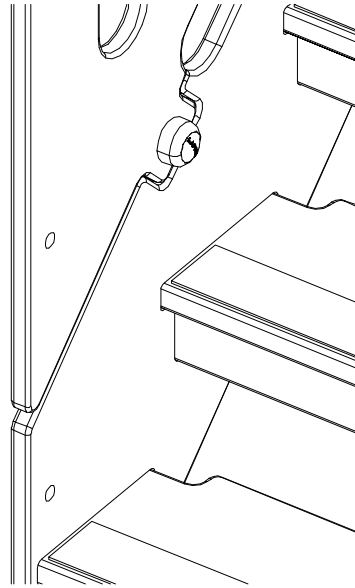
NOTE:
 Use a wire marked pairs
 of the same junction.

Huom!
 Käytä langalla merkittyä
 paria samassa liitoksessa.

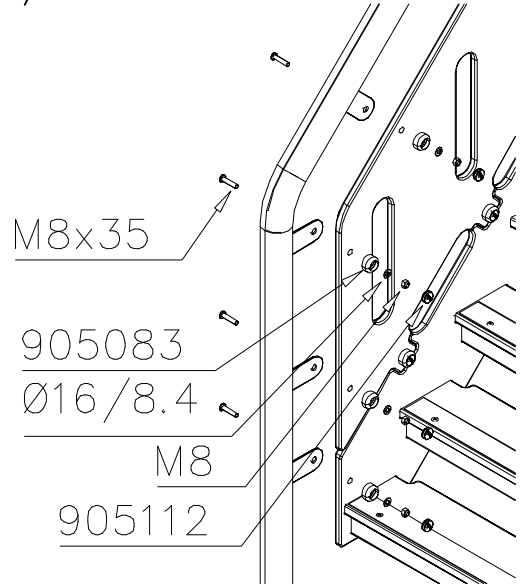
| | | | | | | | | |
|--|--|--|--|-----------------------------------------------|-----------------------------------------------|-----------------------------------------|--------------------------------------------|---------------------------------------|
| | | | | 1 704309 PCS 1 | 2 704310 PCS 1 LEFT | | | |
| | | | | 3 704311 PCS 1 RIGHT | 4 902124 PCS 12 150x50x50 | | | |
| | | | | 5 902232 PCS 6 M10x55 | 6 902233 PCS 6 M10x30 | | | |
| | | | | 7 904068 PCS 2 M8x40 | 8 904697 PCS 1 Ø60.3x2.9x710 | | | |
| | | | | 9 904760 PCS 1 LEFT | 10 904761 PCS 1 RIGHT | | | |
| | | | | 11 905083 PCS 20 Ø32 | 12 905112 PCS 20 Ø22 | | | |
| | | | | 13 909256 PCS 20 Ø16/8.4x1.6 | 14 909519 PCS 2 50x380x380 | 15 909637 PCS 8 M10 | 16 909638 PCS 16 Ø20/10.5 | |
| | | | | 17 909639 PCS 8 M10x25 | 18 909852 PCS 8 M8x30 | 19 909855 PCS 10 M8x35 | 20 980160 PCS 20 M8 | 21 980161 PCS 12 M10 |



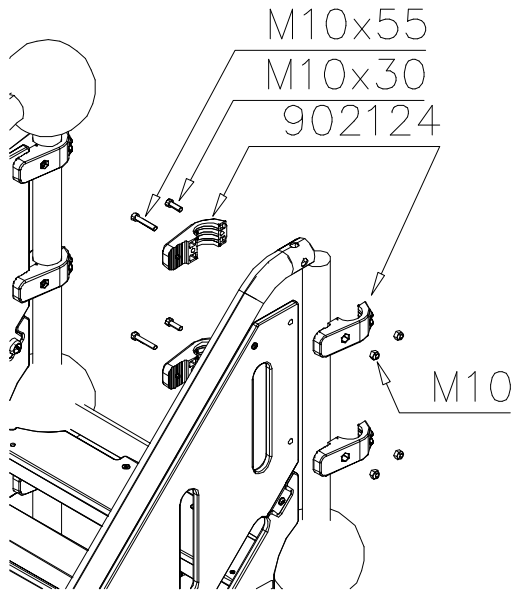
DET 6



DET 7



DET 8

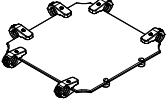
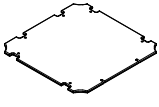
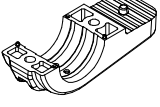
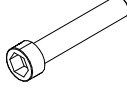
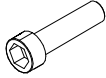
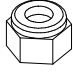
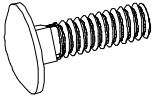
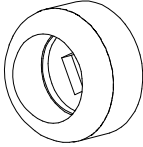

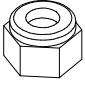
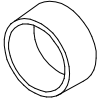
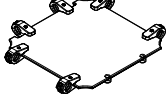
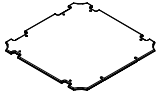
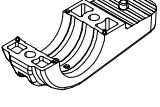
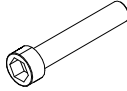
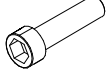

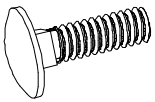
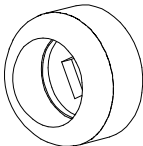

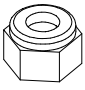
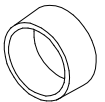
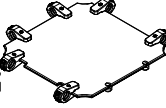
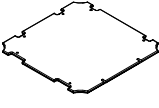
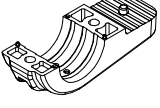
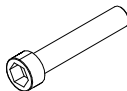
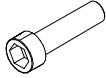
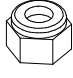
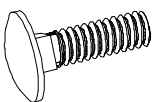
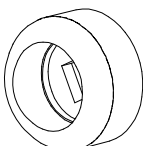

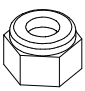
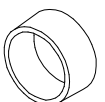


LAPPSET® FLOOR (SLIDE)

CLOXX

DATE: 3.10.2013

1(3)

| | | | | | | | | | | | | |
|------------------------------------------------------------------------------------------------|-------------------------------------------------------------------------------------------------|----------|--------------------------------------------------------------------------------------------------------------|-----------|-----------------------------------------------------------------------------------------------------------|----------|------------------------------------------------------------------------------------------------------------|----------|----------------------------------------------------------------------------------------------------------|-----------|----------------------------------------------------------------------------------------------------------|----------|
| ○ 704432  | ○ 704038  | PCS 1 | ○ 902124  150x50x50 | PCS 12 | ○ 902232  M10x55 | PCS 6 | ○ 902233  M10x30 | PCS 6 | ○ 980161  M10 | PCS 12 | | PCS |
| | | PCS | ○ 909109  M12x40 | PCS 2 | ○ 905090  Ø45 | PCS 2 | ○ 980154  Ø24/13 | PCS 2 | ○ 909248  M12 | PCS 2 | ○ 905115  Ø32 | PCS 2 |
| | | PCS | | PCS | | PCS | | PCS | | PCS | | PCS |
| ○ 704447  | ○ 704446  | PCS 1 | ○ 902124  150x50x50 | PCS 12 | ○ 902232  M10x55 | PCS 6 | ○ 902233  M10x30 | PCS 6 | ○ 980161  M10 | PCS 12 | | PCS |
| | | PCS | ○ 909109  M12x40 | PCS 2 | ○ 905090  Ø45 | PCS 2 | ○ 980154  Ø24/13 | PCS 2 | ○ 909248  M12 | PCS 2 | ○ 905115  Ø32 | PCS 2 |
| | | PCS | | PCS | | PCS | | PCS | | PCS | | PCS |
| ○ 704666  | ○ 704667  | PCS 1 | ○ 902124  150x50x50 | PCS 12 | ○ 902232  M10x55 | PCS 6 | ○ 902233  M10x30 | PCS 6 | ○ 980161  M10 | PCS 12 | | PCS |
| | | PCS | ○ 909109  M12x40 | PCS 2 | ○ 905090  Ø45 | PCS 2 | ○ 980154  Ø24/13 | PCS 2 | ○ 909248  M12 | PCS 2 | ○ 905115  Ø32 | PCS 2 |
| | | PCS | | PCS | | PCS | | PCS | | PCS | | PCS |

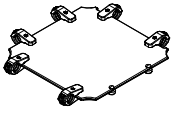
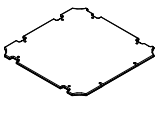
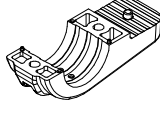
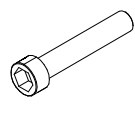
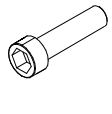
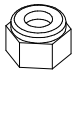
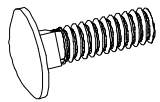
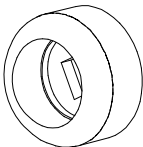
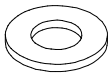
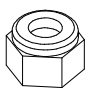
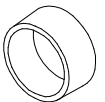
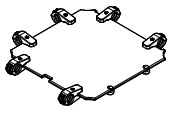
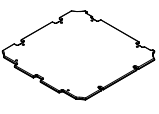
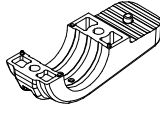
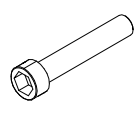
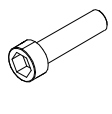
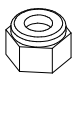
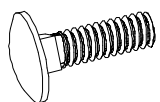
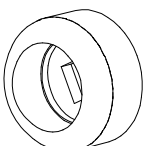
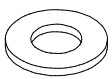
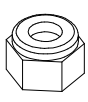
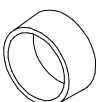
LAPPSET®

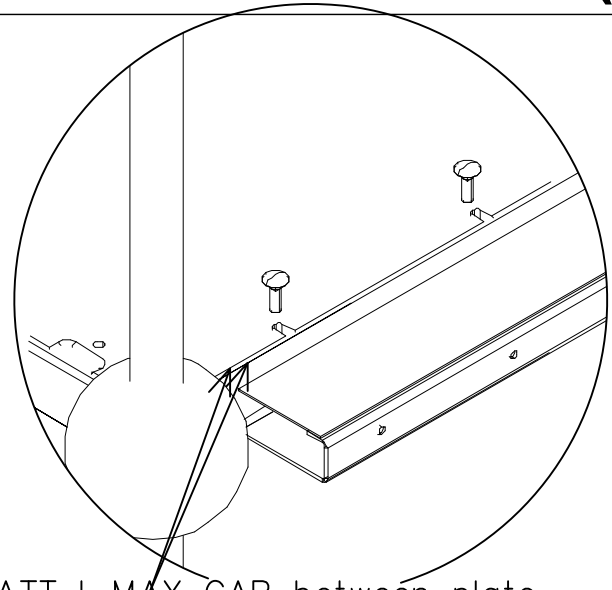
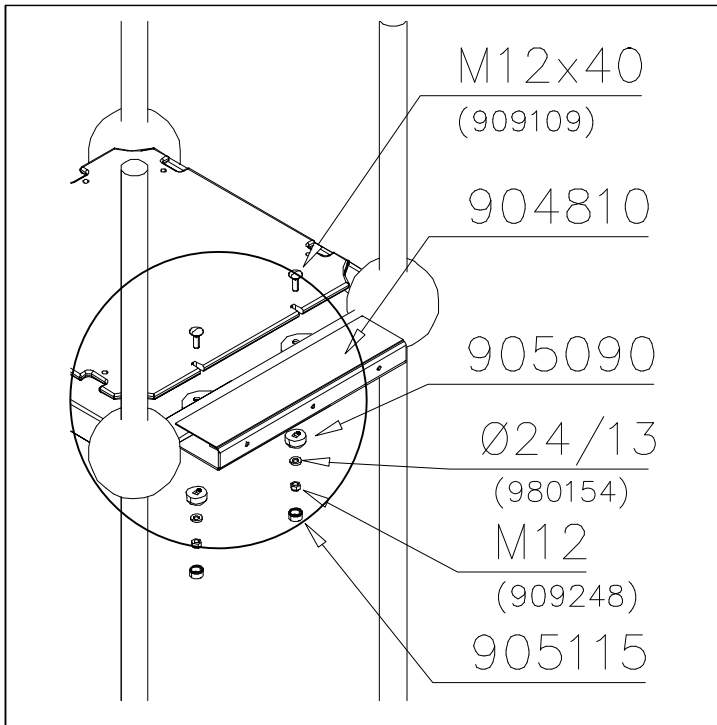
FLOOR (SLIDE)

CLOXX

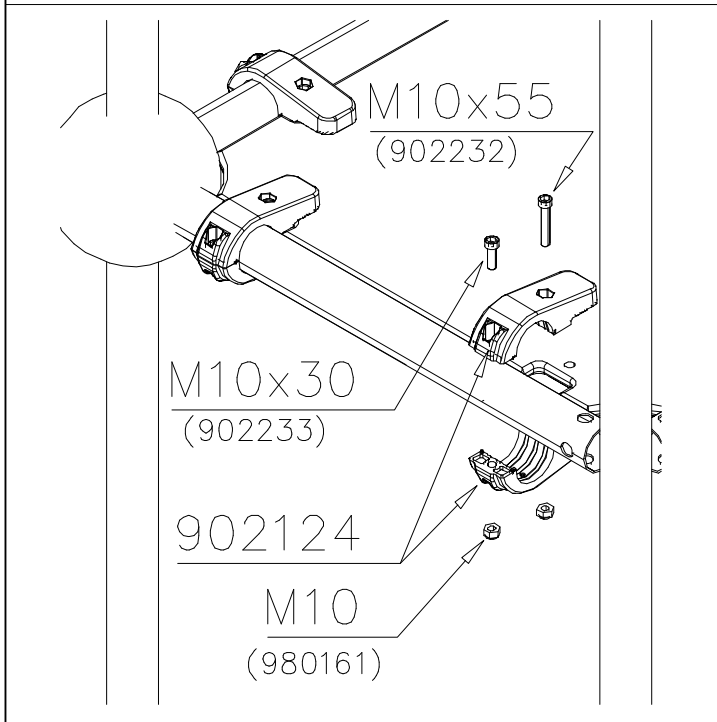
DATE: 3.10.2013

2(3)

| | | | | | | | | | | | | |
|------------------------------------------------------------------------------------|-------------------------------------------------------------------------------------|----------|--------------------------------------------------------------------------------------------------|-----------|-----------------------------------------------------------------------------------------------|----------|------------------------------------------------------------------------------------------------|----------|----------------------------------------------------------------------------------------------|-----------|----------------------------------------------------------------------------------------------|----------|
| ○ 704684 | ○ 704685 | PCS 1 | ○ 902124 | PCS 12 | ○ 902232 | PCS 6 | ○ 902233 | PCS 6 | ○ 980161 | PCS 12 | | PCS |
|  |  | |  150x50x50 | |  M10x55 | |  M10x30 | |  M10 | | | |
| | | PCS | ○ 909109 | PCS 2 | ○ 905090 | PCS 2 | ○ 980154 | PCS 2 | ○ 909248 | PCS 2 | ○ 905115 | PCS 2 |
| | | |  M12x40 | |  Ø45 | |  Ø24/13 | |  M12 | |  Ø32 | |
| | | PCS | | PCS | | PCS | | PCS | | PCS | | PCS |
| ○ 704692 | ○ 704693 | PCS 1 | ○ 902124 | PCS 12 | ○ 902232 | PCS 6 | ○ 902233 | PCS 6 | ○ 980161 | PCS 12 | | PCS |
|  |  | |  150x50x50 | |  M10x55 | |  M10x30 | |  M10 | | | |
| | | PCS | ○ 909109 | PCS 2 | ○ 905090 | PCS 2 | ○ 980154 | PCS 2 | ○ 909248 | PCS 2 | ○ 905115 | PCS 2 |
| | | |  M12x40 | |  Ø45 | |  Ø24/13 | |  M12 | |  Ø32 | |
| | | PCS | | PCS | | PCS | | PCS | | PCS | | PCS |
| | | PCS | | PCS | | PCS | | PCS | | PCS | | PCS |

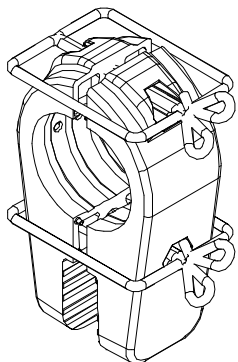
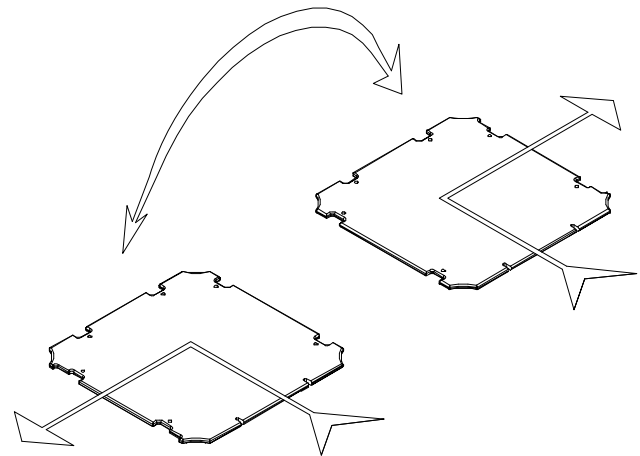


ATT ! MAX GAP between plate
 and tube is 6mm
 HUOM ! MAKSIMI VÄLI lattialevyllä
 ja putkella on 6mm



KÄYTÄ TARVITTAESSA SAMAA LEVYÄ
 VASEMALLE TAI OIKEALLE.

IF NECESSARY USE SAME PLATE LEFT
 OR RIGHT.



NOTE:
 Use a wire marked pairs
 of the same junction.

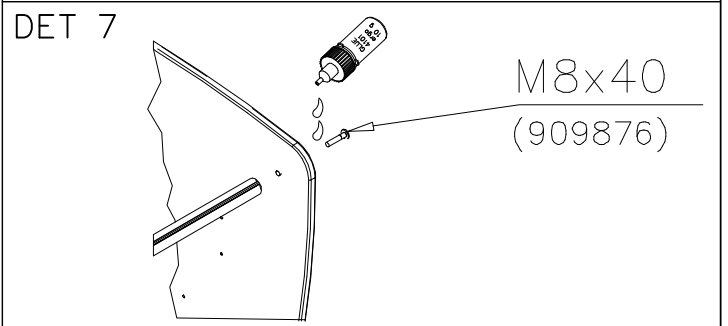
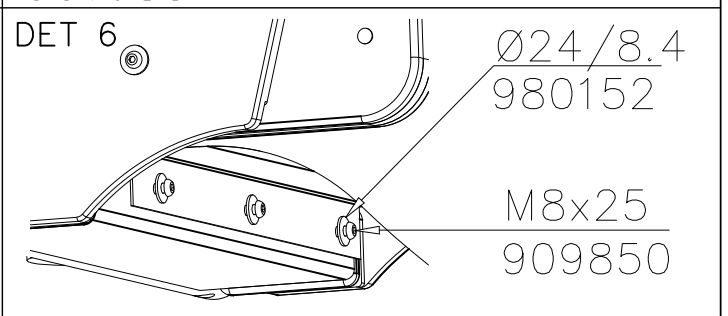
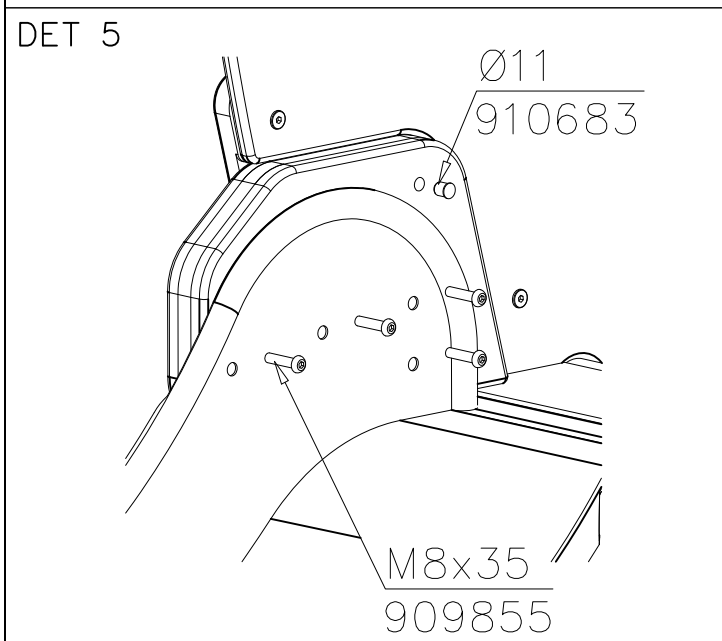
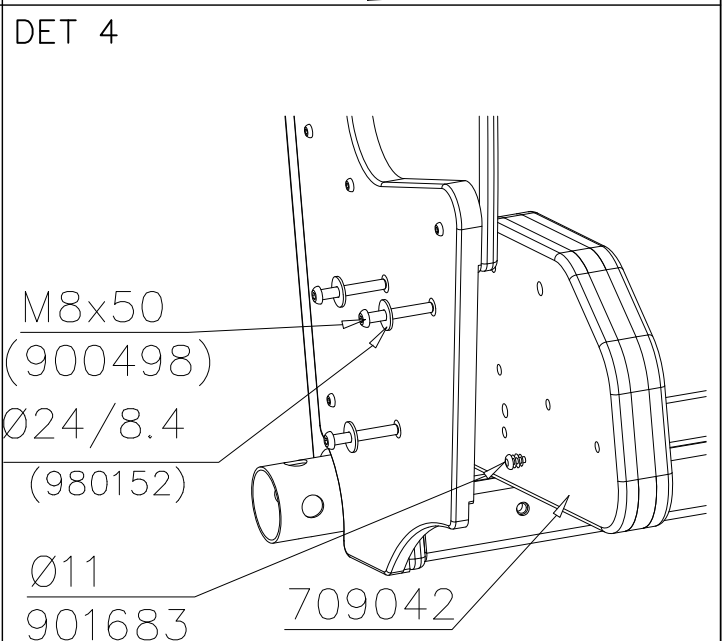
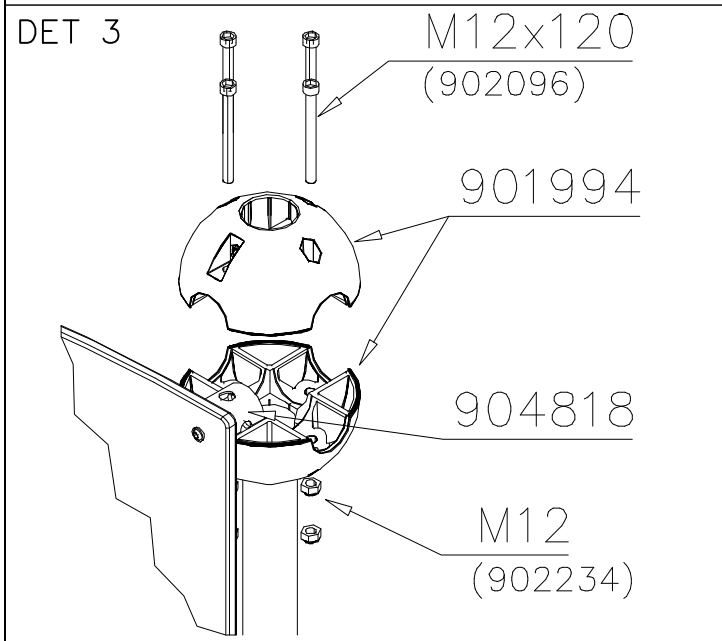
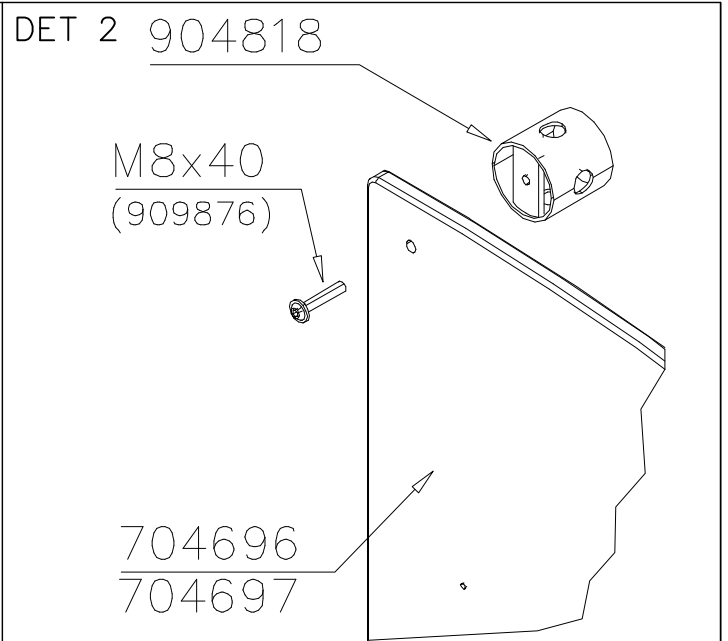
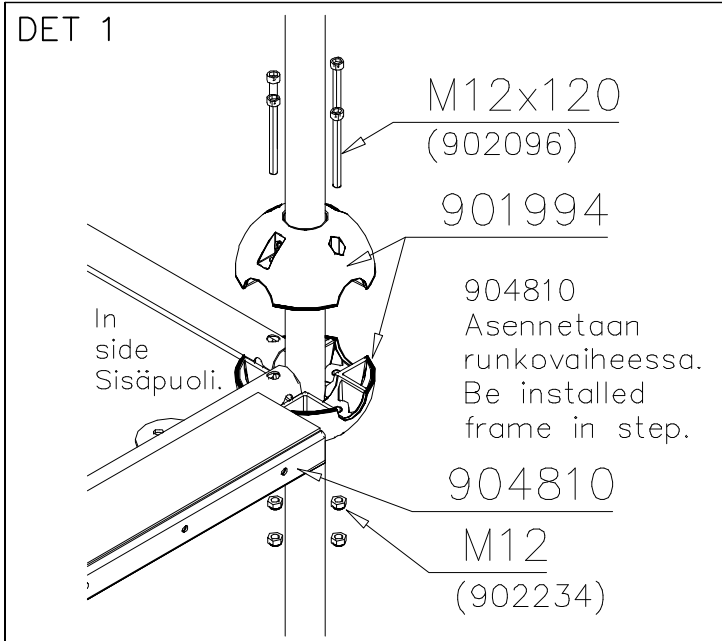
Huom!
 Käytä langalla merkittyä
 paria samassa liitoksessa.

Exploded view diagram of a mechanical assembly. The diagram shows various components labeled with circled numbers 1 through 13 and sub-assemblies labeled DET 1 through DET 7. Dimensions are provided for several parts and the overall assembly.

Dimensions shown in the diagram:

- 860 (vertical dimension on the left)
- 784 (vertical dimension on the right)
- 784 (horizontal dimension at the bottom)
- 468 (horizontal dimension at the top right)
- (870-1470-1970-2070) (vertical dimension on the right)

| | | | |
|---------------------|-----|----------|-----|
| ① 704696 | PCS | ② 704697 | PCS |
| | 1 | | 1 |
| ③ 904810 | PCS | ④ 904818 | PCS |
| | 1 | | 2 |
| ⑤ 904833 | PCS | ⑥ 909876 | PCS |
| | 1 | | 4 |
| Ø30x565 | | M8x40 | |
| ⑦ 980152 | PCS | ⑧ 900498 | PCS |
| | 9 | | 6 |
| Ø24/8.4 | | M8x50 | |
| ⑨ 999561 | PCS | ⑩ 709042 | PCS |
| | 1 | | 2 |
| GLUE 4101 ergo 10 g | | | |
| 10 g | | | |
| | | ⑪ 909855 | PCS |
| | | | 8 |
| | | M8x35 | |
| | | ⑫ 910683 | PCS |
| | | | 4 |
| | | Ø11 | |
| | | ⑬ 909850 | PCS |
| | | | 3 |
| | | M8x25 | |



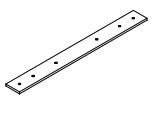
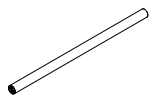

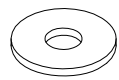
LAPPSET

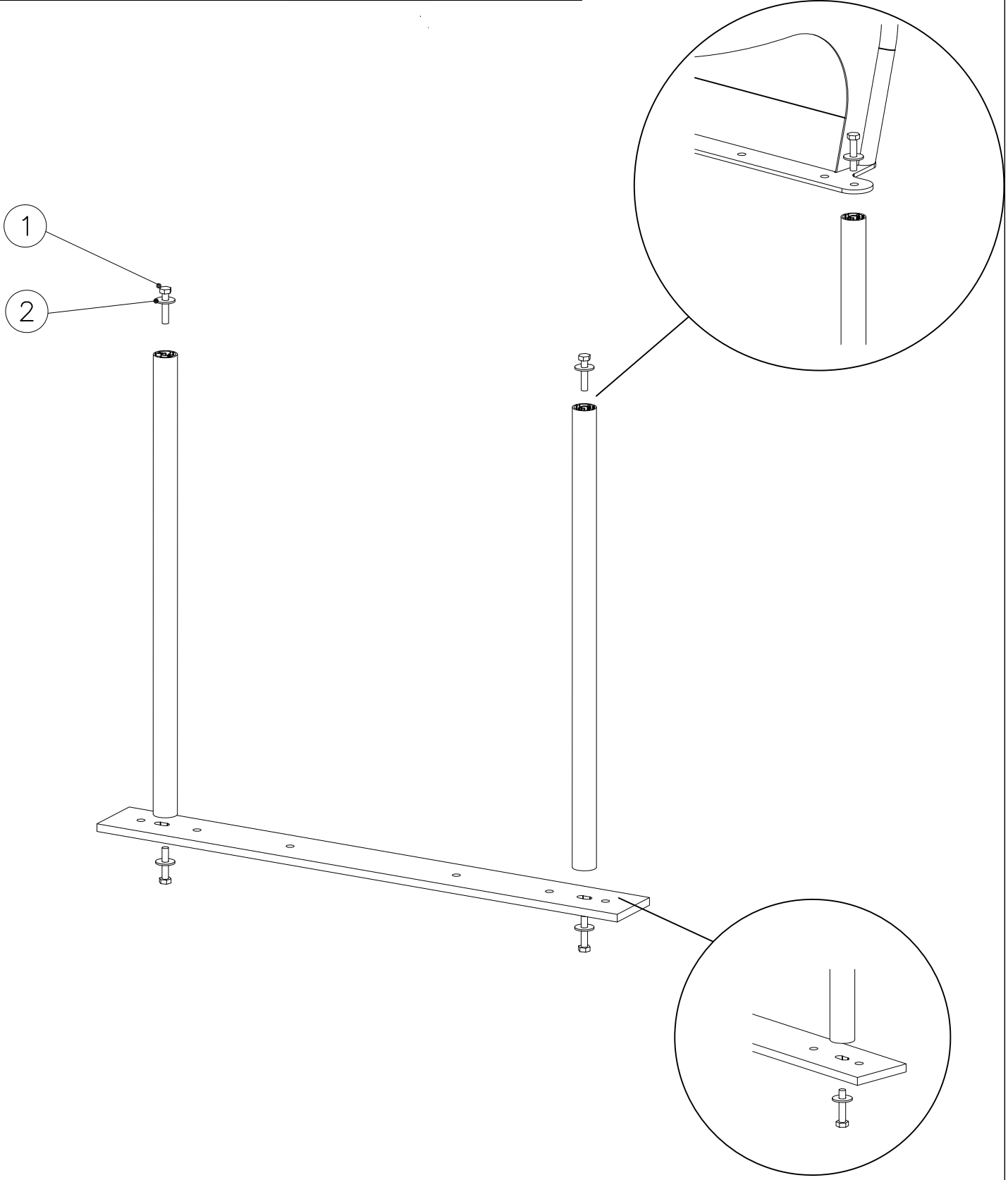
DEEP FOUNDATION

SLIDE METAL

DATE: 11.2.2019

1(1)

| | | | | | | | |
|----------------------------------------------------------------------------------|-----|-----------------------------------------------------------------------------------|-----|-----------------------------------------------------------------------------------|-----|-----------------------------------------------------------------------------------|-----|
| ○ 707133 | PCS | ○ 901868 | PCS | ① 909210 | PCS | ② 905051 | PCS |
| | 1 | | 2 | | 4 | | 4 |
|  | |  | |  | |  | |
| 10x80x745 | | Ø30x598 | | M8x40 | | Ø24/8.4 | |



LAPPSET

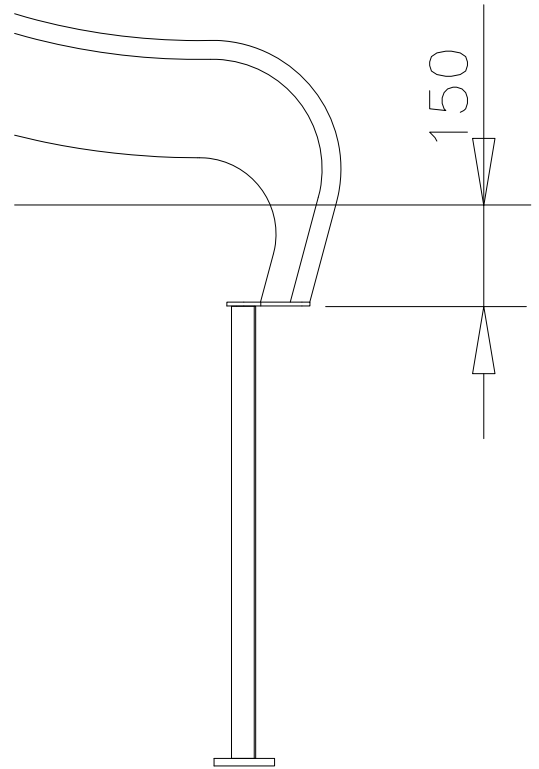
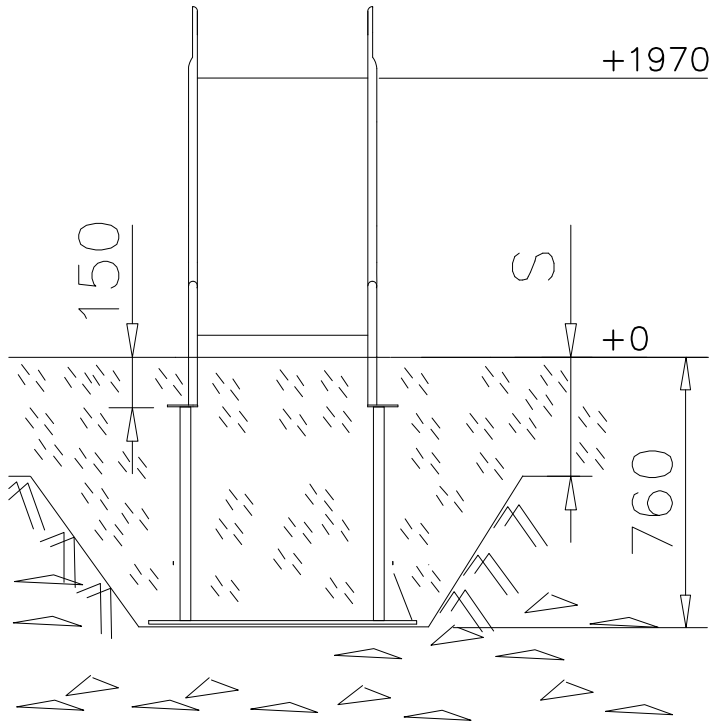
DEEP FOUNDATION

SLIDE METAL

DATE: 24.11.2020

1(1)

Floor level +1970



Floor level +870,
+1470, +2070

