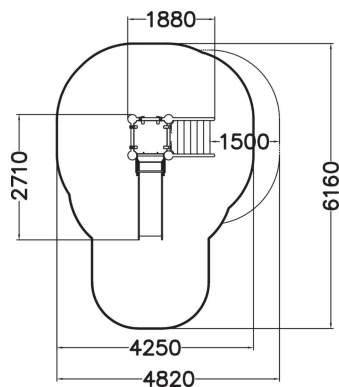
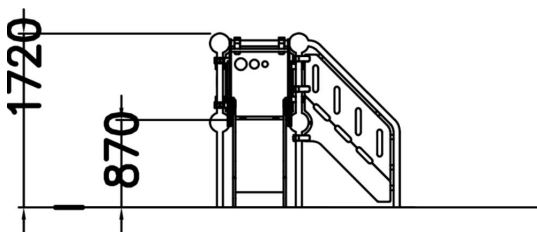


Playground equipment for younger children, including steps, a covered, 870 mm high platform, and a low slide. Safe and durable, it develops small children's motor skills. An updated version of the traditional slide, which is every child's favourite year after year.



| | |
|-------------------------------|-----------------------------------|
| User age | 1+ |
| Number of users | 3 |
| Product length, mm | 1880 |
| Product width, mm | 2710 |
| Product height, mm | 1720 |
| Impact area, m ² | 20 |
| Falling space, m ² | 22 |
| Height required, mm | 2370 |
| Max. free fall height, mm | 1000 |
| Safety info | EN 1176-1, 3 TÜV |
| Installation time (for 1), H | 10 |
| Foundation options | Deep mounting Surface mounting |