

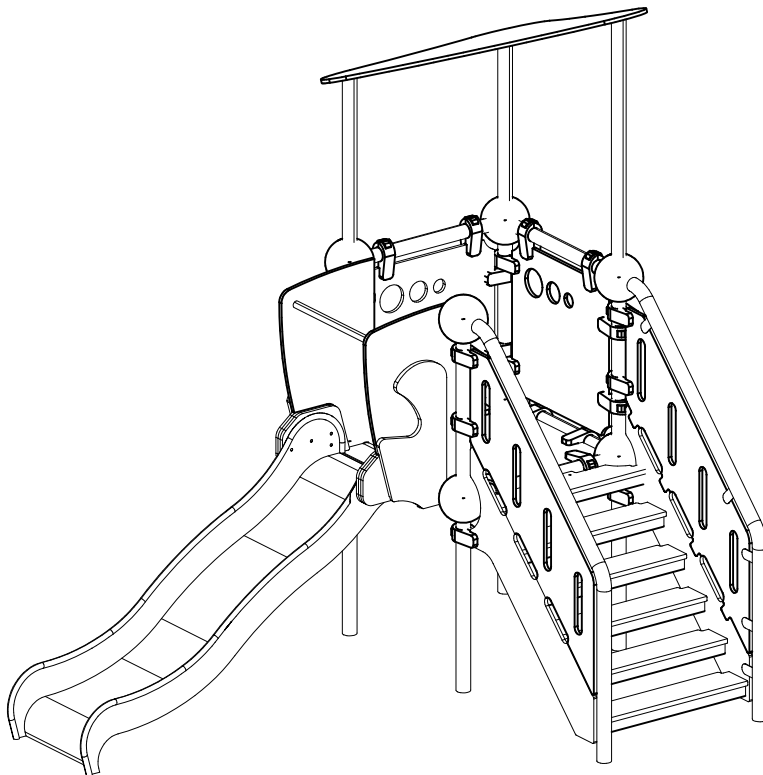
LAPPSET®

CLOXX

ASENNUSOHJE
MONTERINGSANSVISNING
INSTALLATION INSTRUCTION
AUFBAUANLEITUNG
NOTICE D'INSTALLATION

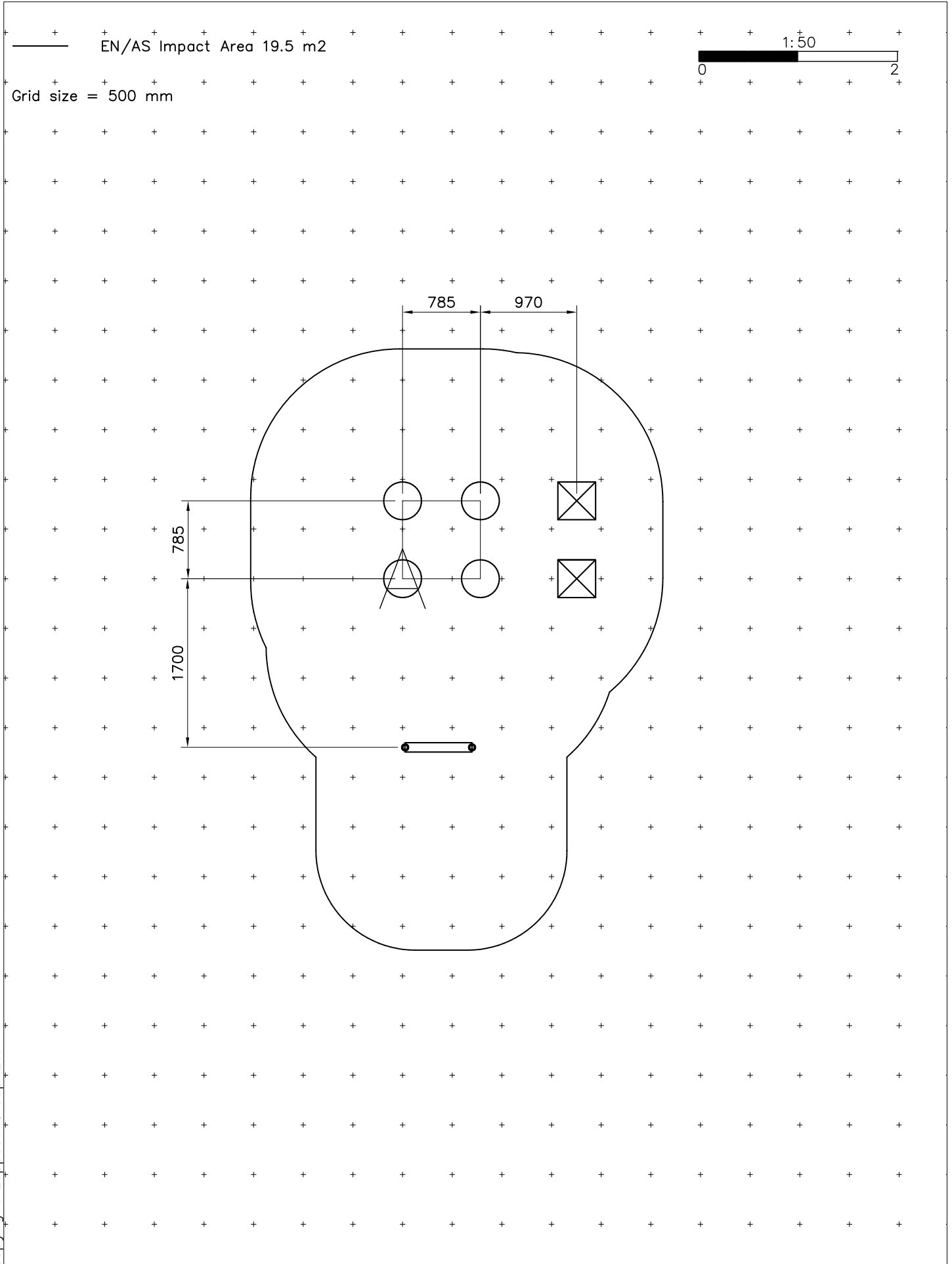
DATE: 21.2.2019

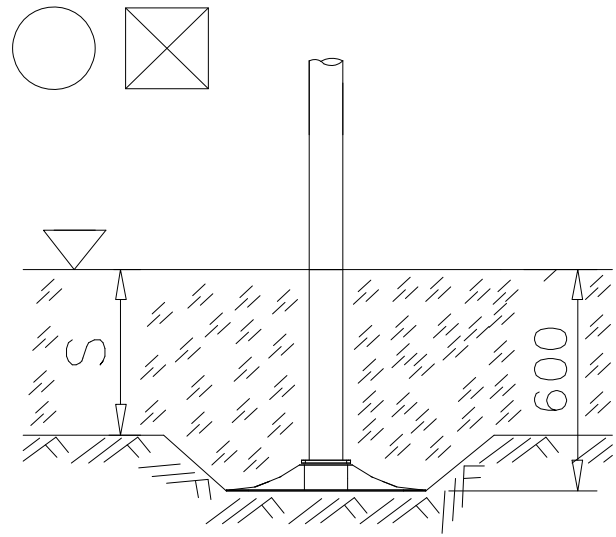
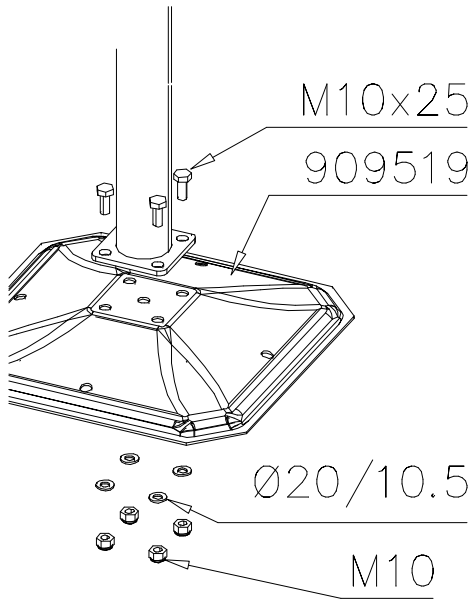
220304



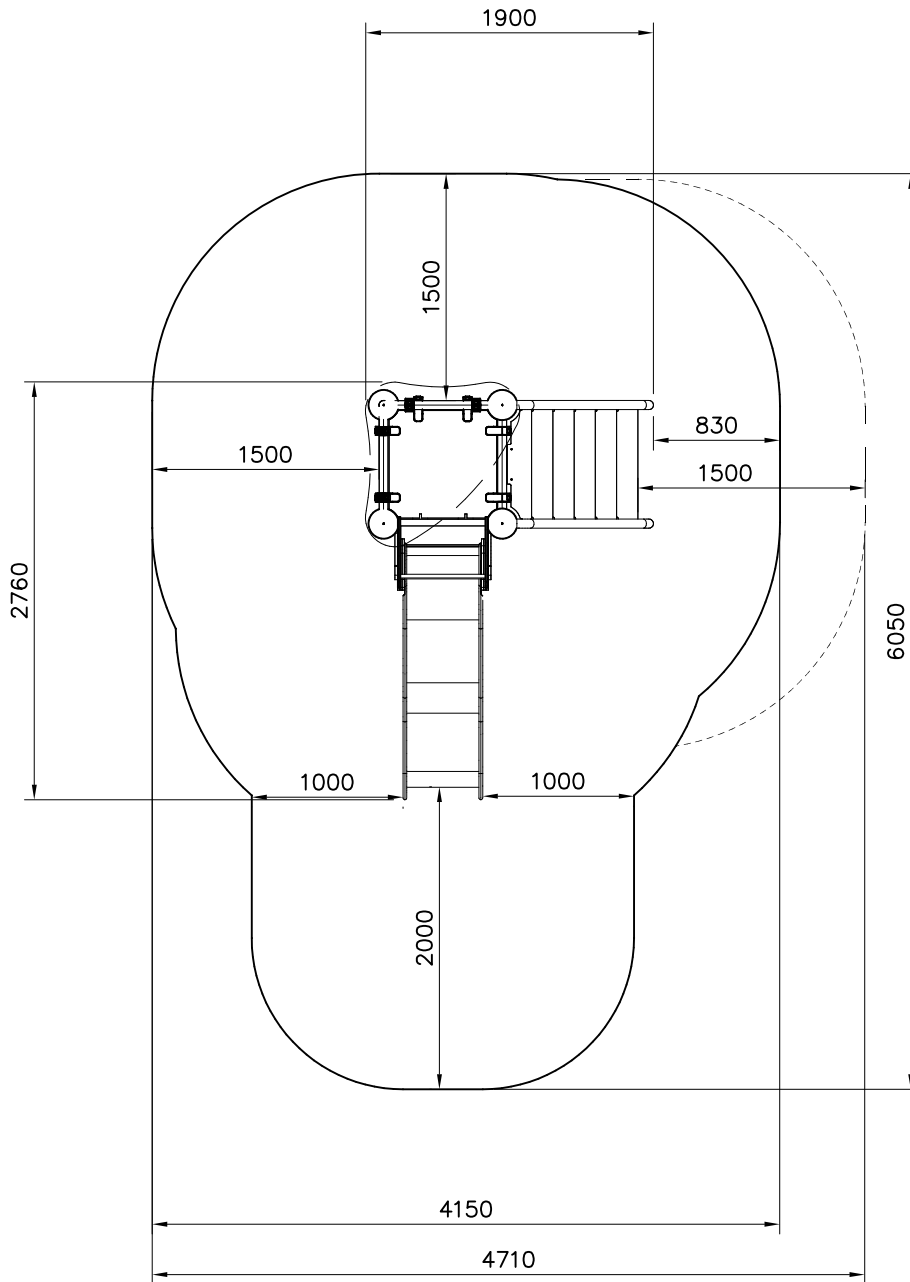
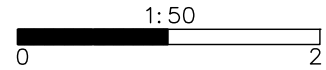
DATE: 21.2.2019

<p>702341</p> <p>90x50</p>	<p>PCS</p> <p>1</p>	<p>704179</p>	<p>PCS</p> <p>1</p>	<p>704199</p>	<p>PCS</p> <p>1</p>	<p>704328</p>	<p>PCS</p> <p>1</p>	<p>704381</p>	<p>PCS</p> <p>1</p>	<p>704432</p>	<p>PCS</p> <p>1</p>
<p>707133</p> <p>10x80x745</p>	<p>PCS</p> <p>1</p>	<p>708858</p>	<p>PCS</p> <p>1</p>	<p>709045</p> <p>380x380</p>	<p>PCS</p> <p>1</p>	<p>901868</p> <p>Ø34x598</p>	<p>PCS</p> <p>2</p>	<p>902022</p> <p>L 710</p>	<p>PCS</p> <p>4</p>	<p>902134</p>	<p>PCS</p> <p>8</p>
<p>902157</p> <p>60x60x2</p>	<p>PCS</p> <p>19</p>	<p>904505</p> <p>L 2137</p>	<p>PCS</p> <p>4</p>	<p>909519</p>	<p>PCS</p> <p>4</p>	<p>909637</p> <p>M10</p>	<p>PCS</p> <p>16</p>	<p>909638</p> <p>Ø20/10.5</p>	<p>PCS</p> <p>32</p>	<p>909639</p> <p>M10x25</p>	<p>PCS</p> <p>16</p>
<p>909708</p> <p>+870</p>	<p>PCS</p> <p>1</p>		<p>PCS</p>		<p>PCS</p>		<p>PCS</p>		<p>PCS</p>		<p>PCS</p>
	<p>PCS</p>		<p>PCS</p>		<p>PCS</p>		<p>PCS</p>		<p>PCS</p>		<p>PCS</p>
	<p>PCS</p>		<p>PCS</p>		<p>PCS</p>		<p>PCS</p>		<p>PCS</p>		<p>PCS</p>

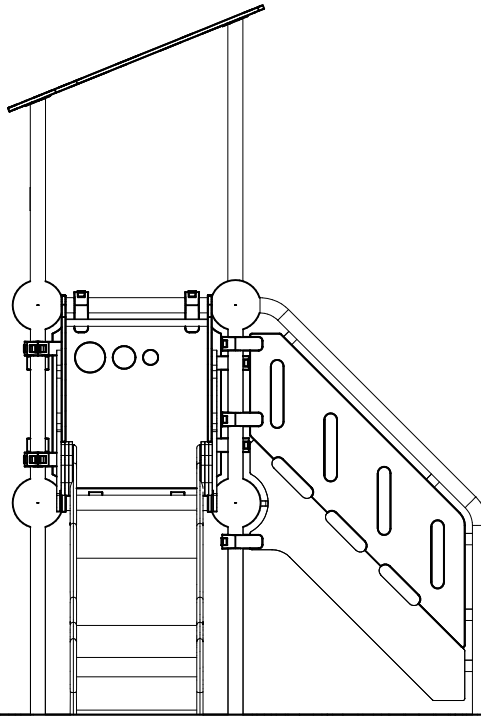




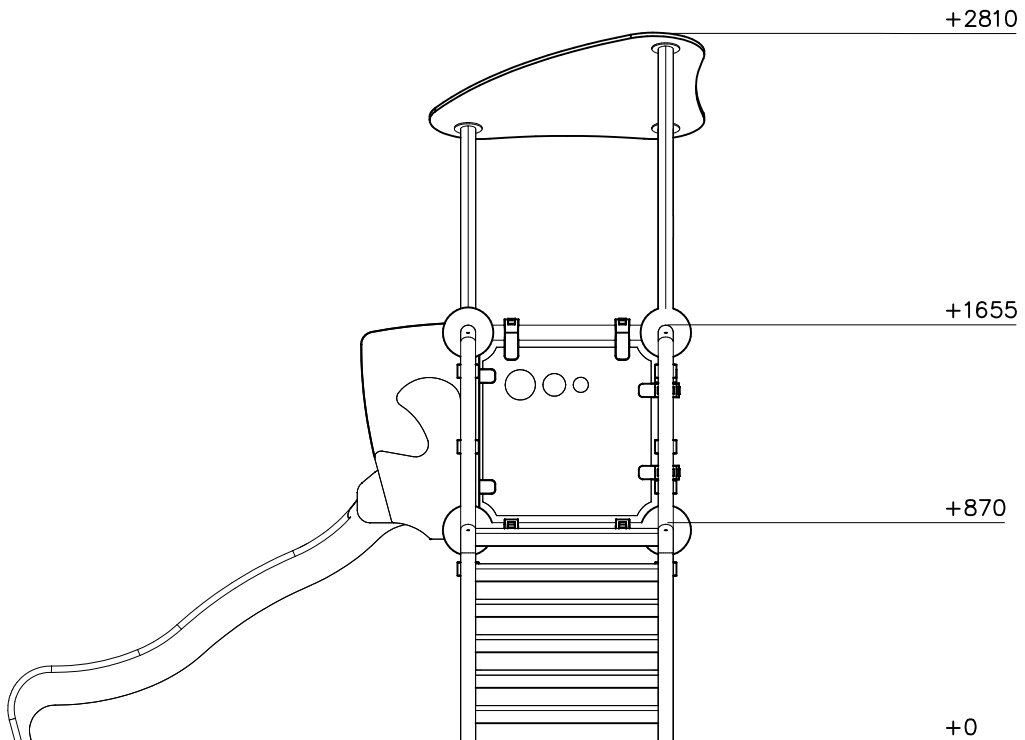
- EN/AS Impact Area 19.5 m²
- - - - Falling Space 21.5 m²
Max Falling Height 1000 mm

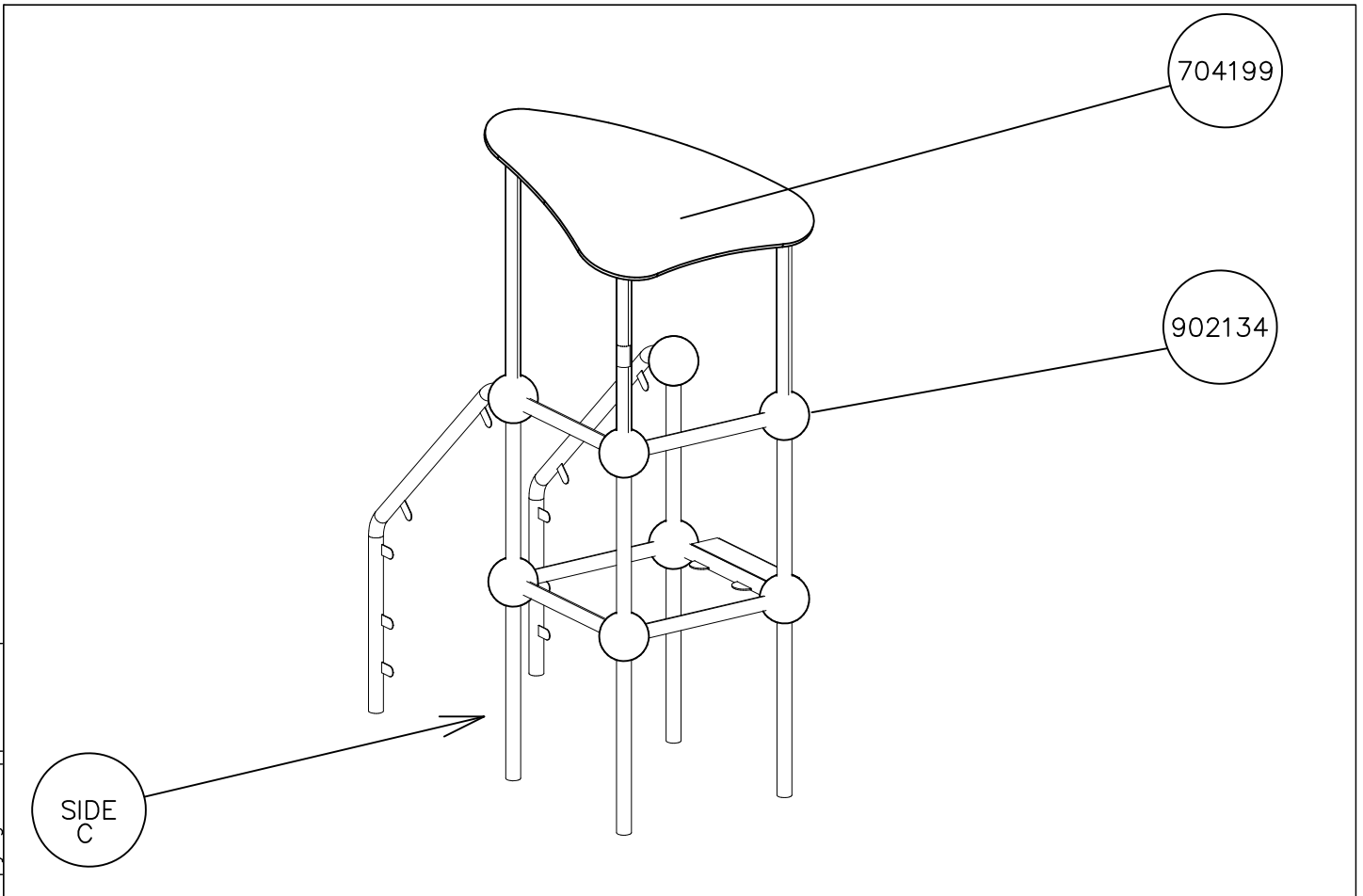
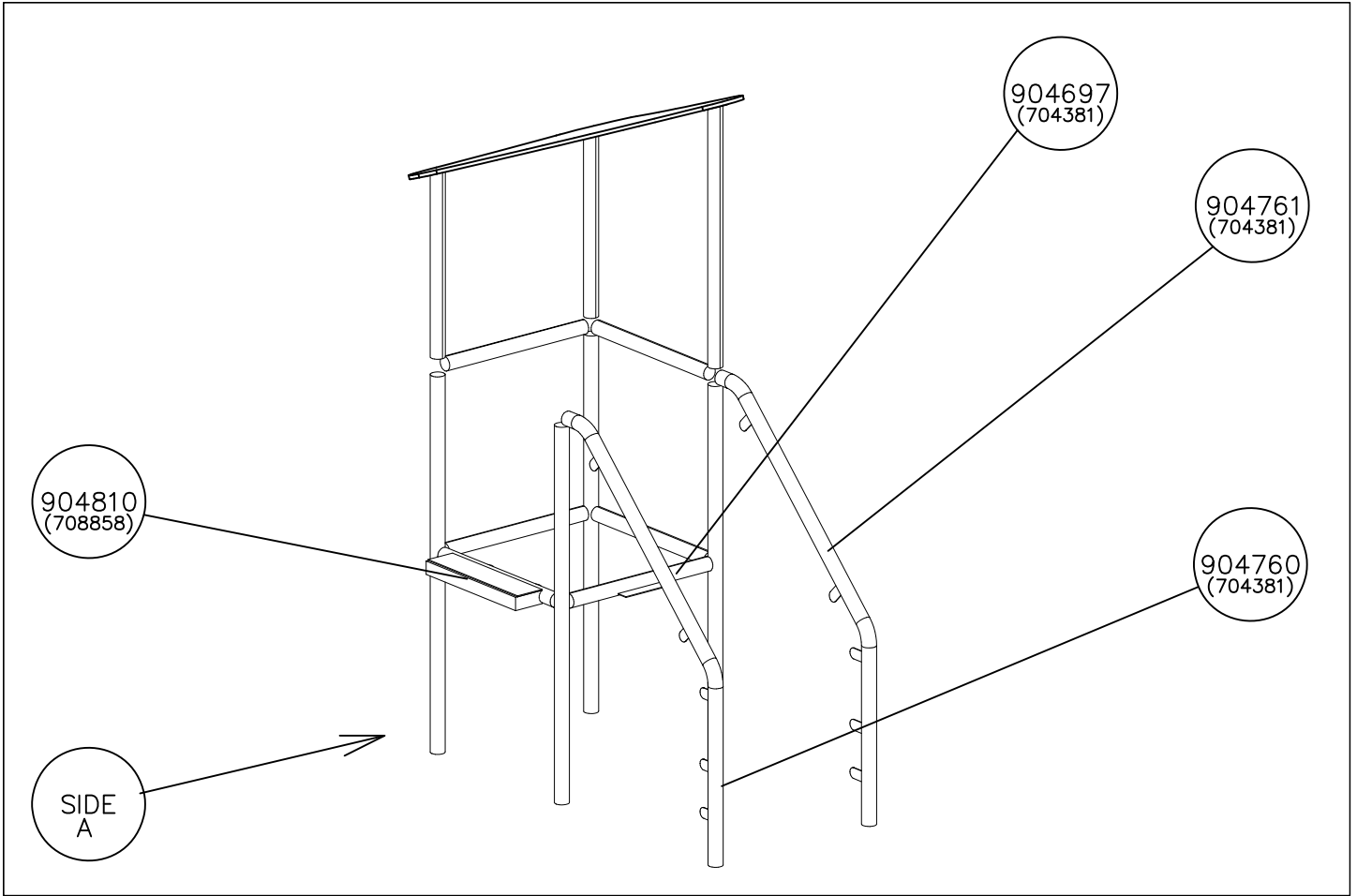


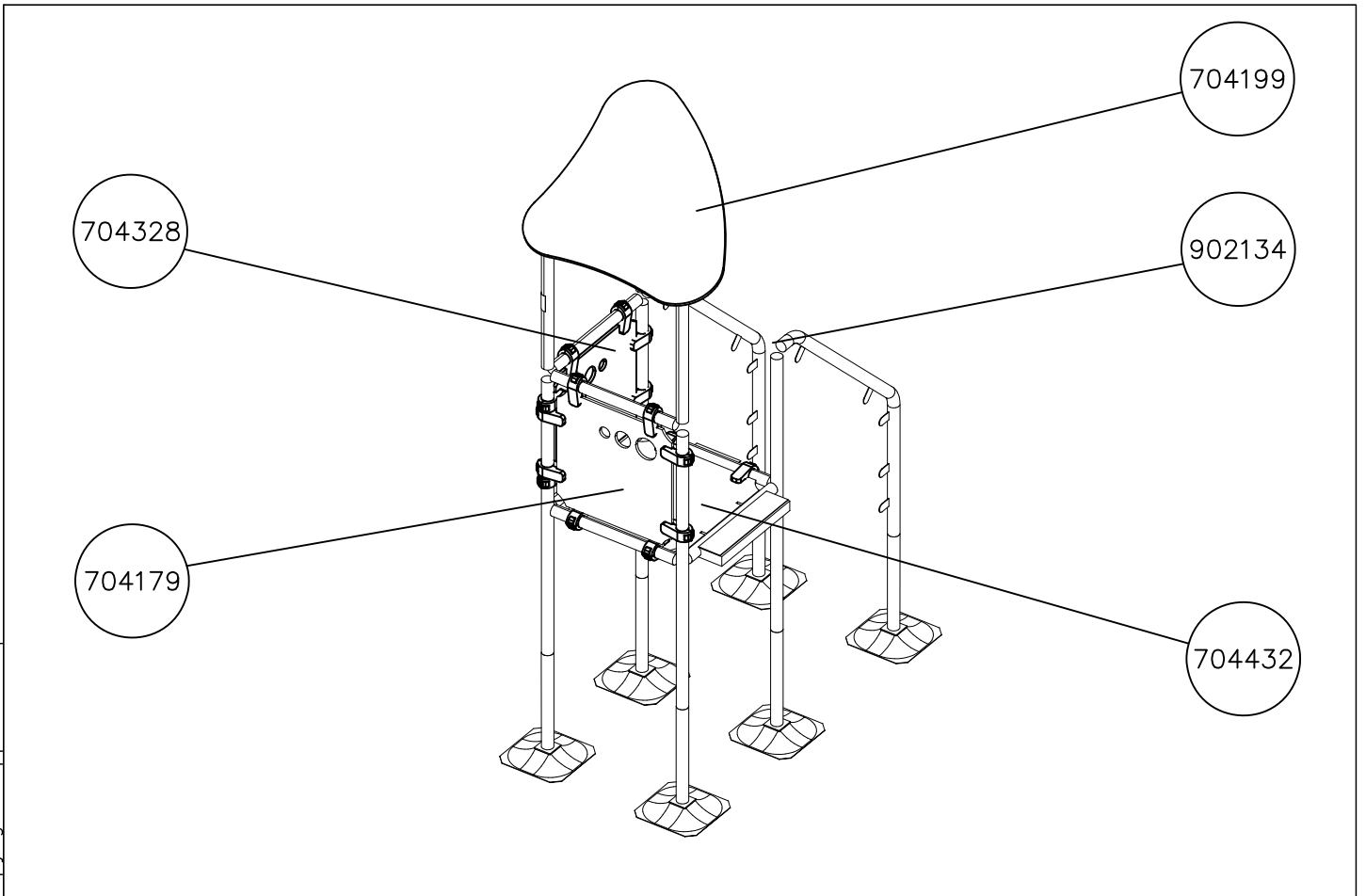
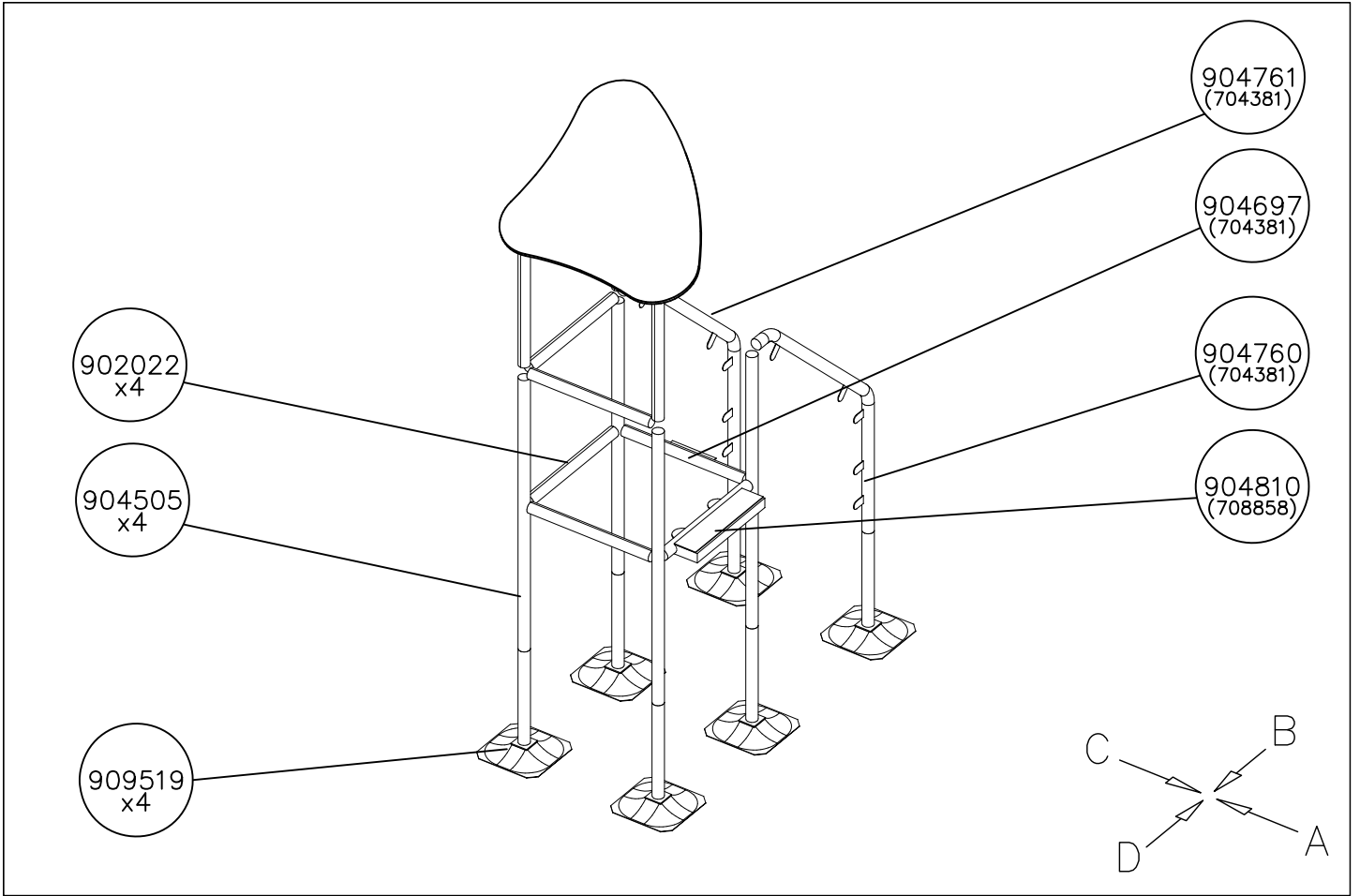
1: 30



1: 30



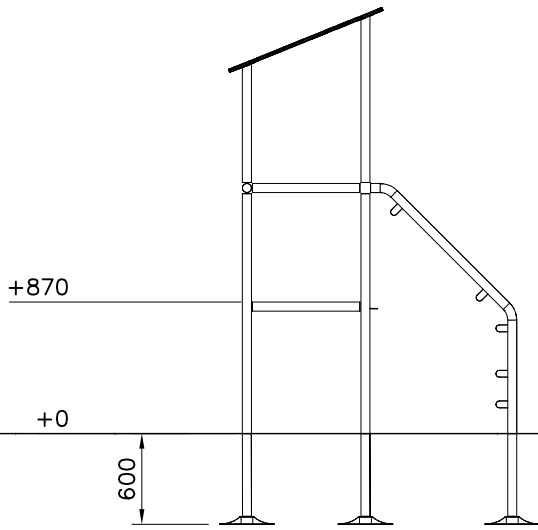




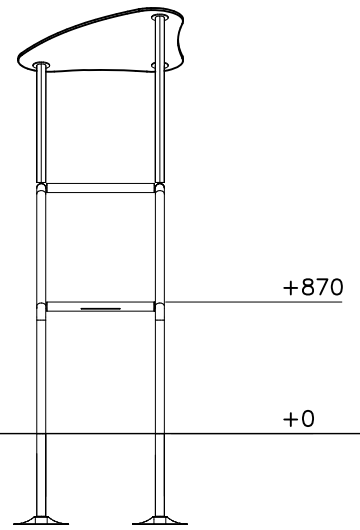
DATE: 21.2.2019

1:50

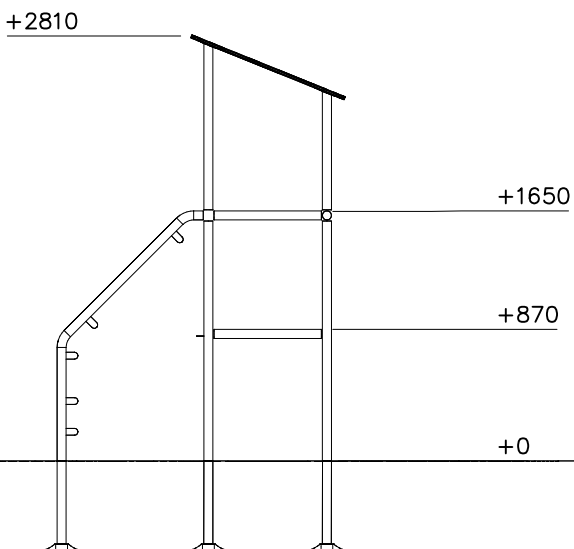
(A)



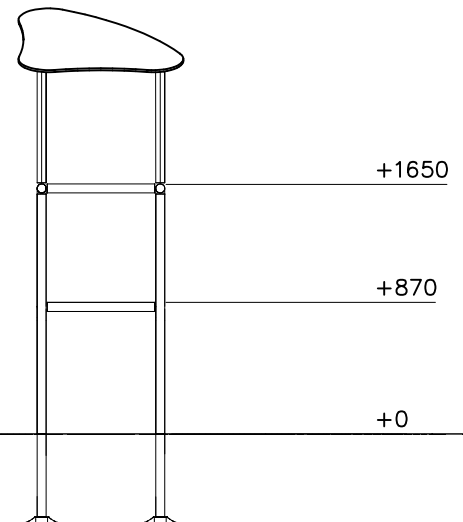
(B)

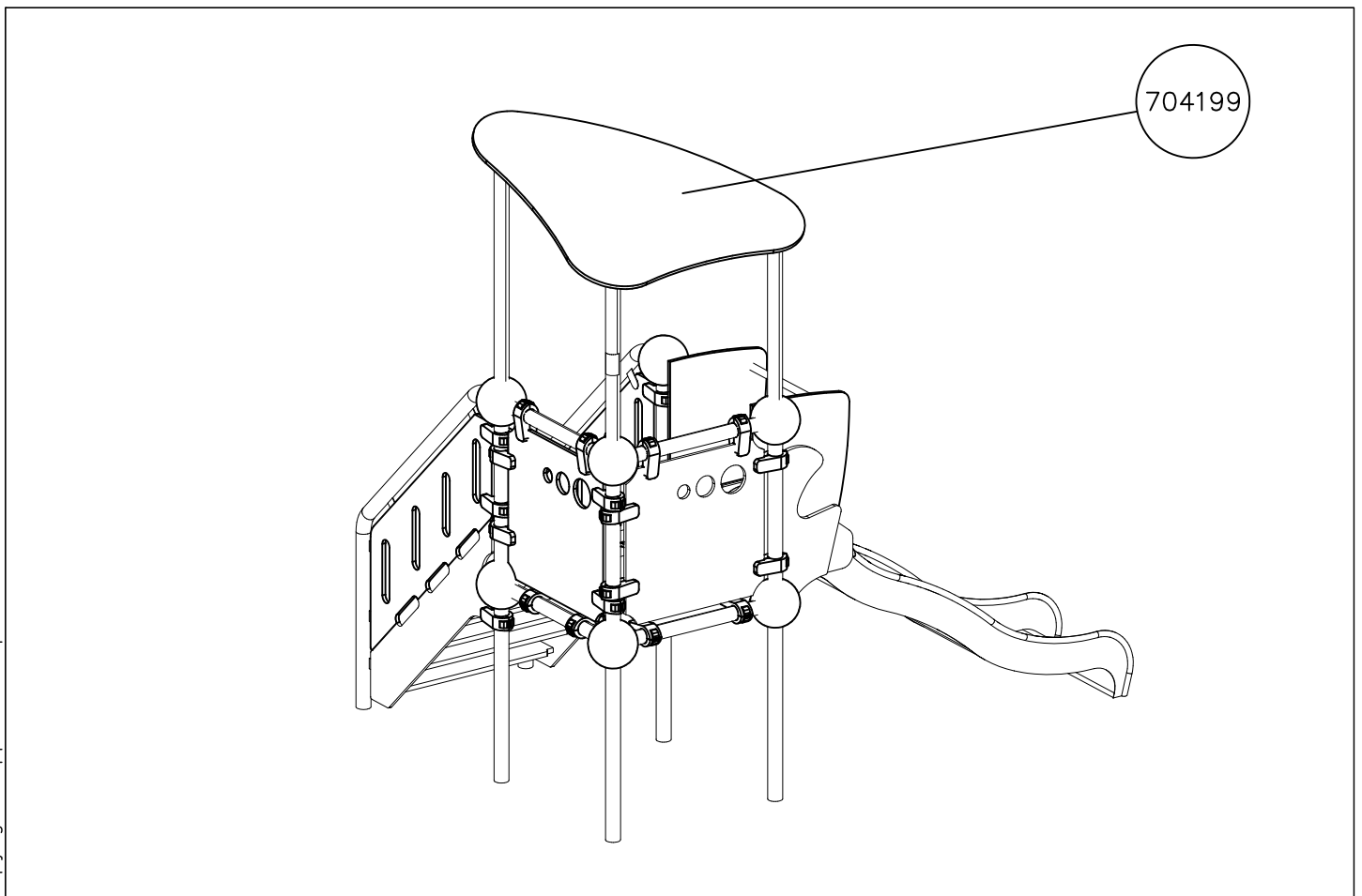
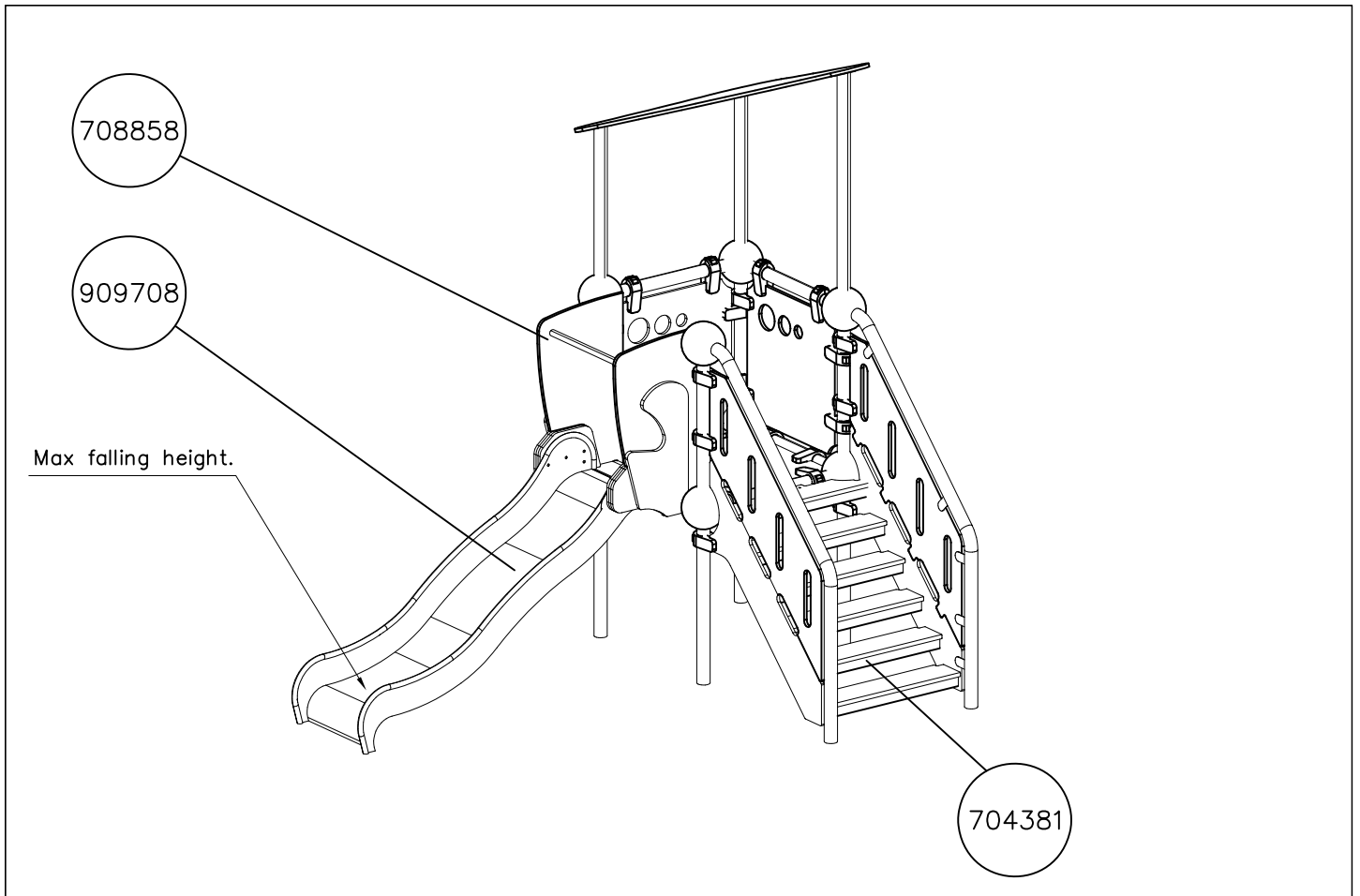


(C)



(D)





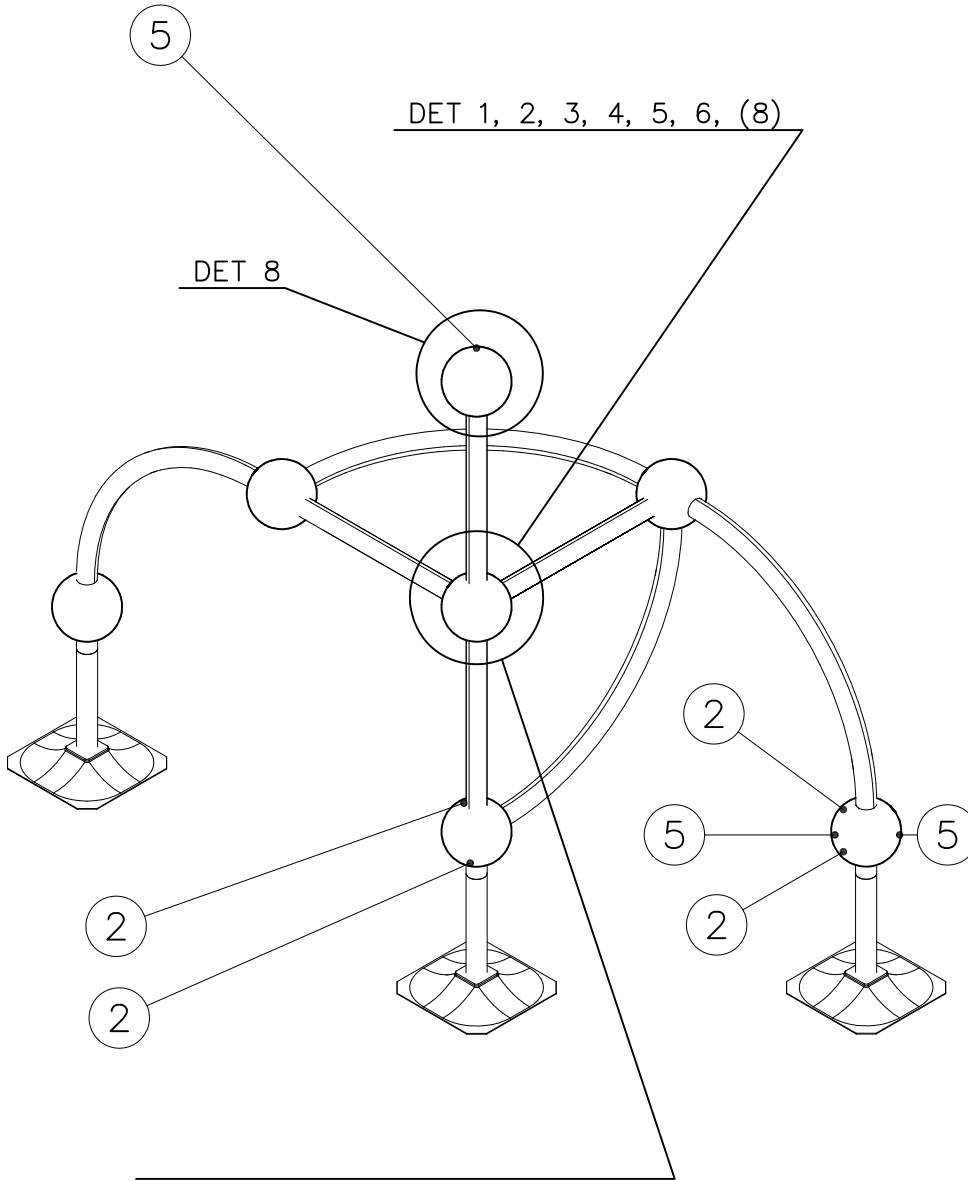
												
<p>$h < 600$</p> <p>Without movement and therefore without Impact Area</p>	<p>Totally hard surfaces.</p> <p>Note. Lappset does <u>not recommend</u> totally hard surfaces at all.</p>	<p>E.g. concrete or asphalt</p> 										
<p>$h < 600$</p> <p>With movement e.g. rocking</p>	<p>Materials with very limited impact attenuating properties.</p>	<p>E.g. wood</p> 										
<p>$h < 1000$</p>	<p>Materials with significant impact attenuating properties.</p>	<p>fine gravel 0–8 mm</p>  <p>grass</p>  <p>unsorted sand</p> 										
<p>$h < 3000$</p>	<p>Loose fill material</p> <p>E.g. sand/gravel 0,25...8 mm D60/D10<3,0 Woodchips 5...30 mm bark 20...80 mm</p>	 <table data-bbox="1021 1691 1332 1792"> <tr> <td>\underline{S}</td> <td>\underline{h}</td> </tr> <tr> <td>30 cm</td> <td>< 2,0 m</td> </tr> <tr> <td>40 cm</td> <td>< 3,0 m</td> </tr> </table>	\underline{S}	\underline{h}	30 cm	< 2,0 m	40 cm	< 3,0 m				
\underline{S}	\underline{h}											
30 cm	< 2,0 m											
40 cm	< 3,0 m											
	<p>Syntethic granulates</p> <table data-bbox="406 1892 758 2060"> <tr> <td>\underline{S}</td> <td>\underline{h}</td> </tr> <tr> <td>40 mm</td> <td>~> 1,2...1,3 m</td> </tr> <tr> <td>50 mm</td> <td>~> 1,5...1,7 m</td> </tr> <tr> <td>60 mm</td> <td>~> 1,8...2,0 m</td> </tr> <tr> <td>70 mm</td> <td>~> 2,1...2,5 m</td> </tr> </table> <p>Note. For accurate values, see manufacturer's instructions.</p>	\underline{S}	\underline{h}	40 mm	~> 1,2...1,3 m	50 mm	~> 1,5...1,7 m	60 mm	~> 1,8...2,0 m	70 mm	~> 2,1...2,5 m	
\underline{S}	\underline{h}											
40 mm	~> 1,2...1,3 m											
50 mm	~> 1,5...1,7 m											
60 mm	~> 1,8...2,0 m											
70 mm	~> 2,1...2,5 m											

REMOVE SAFETY SURFACE/SAND/GRAVEL
TO CHECK FOUNDATION

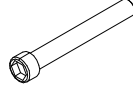

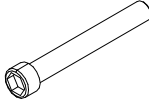



REMOVE SAFETY SURFACE/SAND/GRAVEL
TO CHECK FOUNDATION

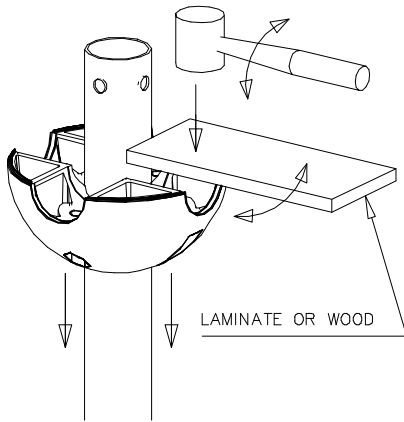




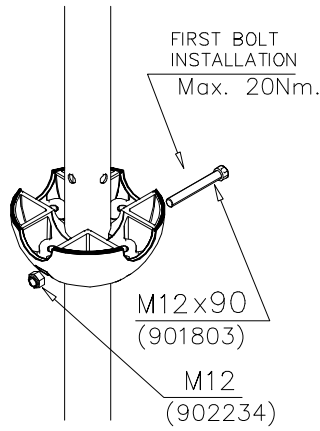
DO NOT TIGHTEN THE JOINTS UNTIL THE STRUCTURE IS COMPLETE.

① 901803	PCS	② 901994	PCS
	2		2
M12x90		Ø190	
③ 902096	PCS	④ 902234	PCS
	4		6
M12x120		M12	
	PCS		PCS
	PCS		PCS
	PCS		PCS
	PCS		PCS
	PCS		PCS
	PCS		PCS

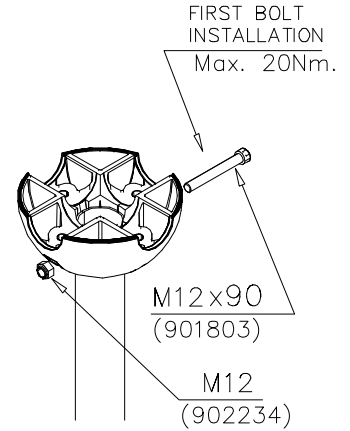
DET 1



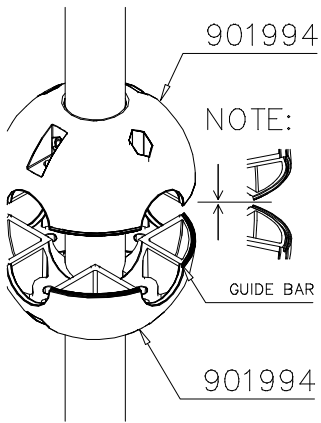
DET 2



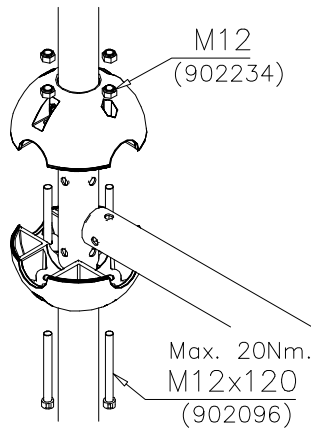
DET 3



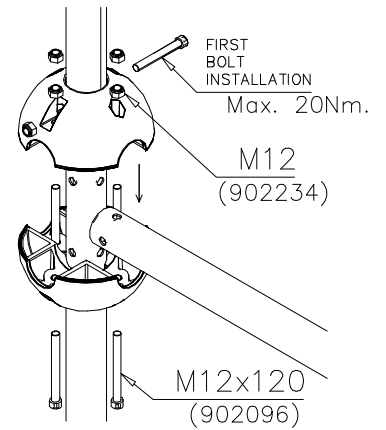
DET 4



DET 5

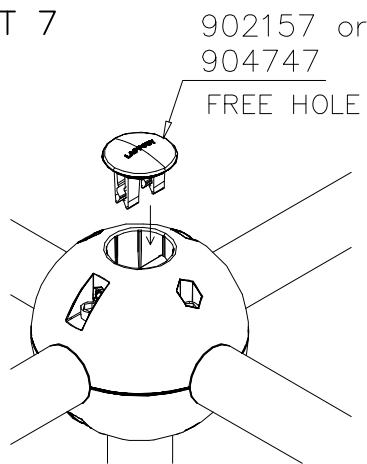


DET 6



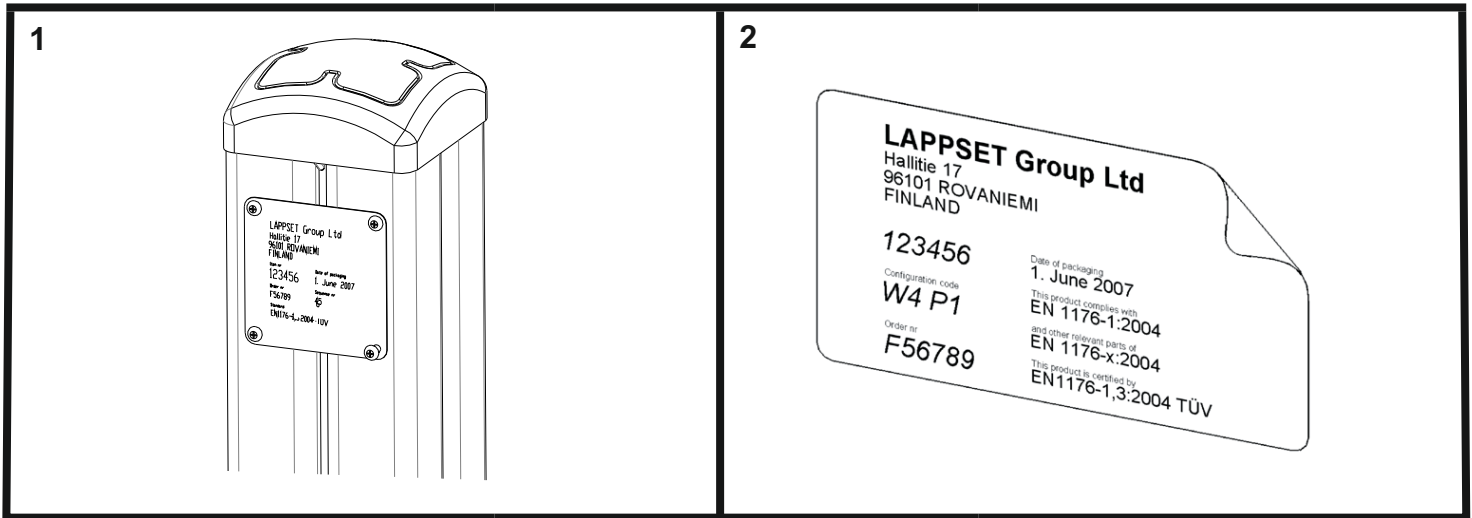
REMEMBER
FINAL
TIGHTENING

DET 7



DET 8





Tuotekyltti tulee tuotteen mukana yhdellä seuraavista tavoista:

1) Metallinen tuotekyltti ja kiinnitysruuvit

- Kiinnitä tuotekyltti ruuveilla tolppaan noin 2 metrin korkeuteen kuvan 2 mukaisesti.

2) Tuotekylttitarra

- Puhdista maalattu metalli- tai vaneripinta pölystä ja kosteudesta. Liimaa tarra kuvan 3 mukaisesti.
- Huom. Älä kiinnitä tarraa karheapintaiseen laminaattiin tai maalattuun puuhun.

Vår produktmärkning levereras på ett av följande sätt:

1) Produktskylt i metall

- Fäst skylten med de medföljande skruvarna

2) Självhäftande produktetikett

- Rengördenpulverlackerademetallytanellerlaminatytansåttndenblirfrifrånsmutsochfukt.Fästetikettenenligtfig.3.
- Obs! Fäst ej etiketten på detaljer med skrovlig yta eller på målat trä.

Product label is delivered by one of following ways:

1) Metal product label and screws

- Fasten the label with screws.

2) Label sticker

- Cleanthepaintedmetalorplywoodsurfacefromdirtandmoisture.Fastenthestickerasshowninthefigure3.
- Note. Do not attach the sticker to rough surfaced laminate or painted wood.

La plaque d'informations produit est livrée sous l'une de ces 3 formes :

1) Plaque métallique et vis

- Fixez la plaque à l'aide des vis.

2) Etiquette autocollante

- Avant de coller l'étiquette, nettoyez le composant métallique peint ou la plaque de contreplaqué, de toute saleté. La surface doit être sèche (voir image 3).
- Attention, ne pas coller l'étiquette sur une surface lamellé-collée irrégulière ou sur du bois peint.

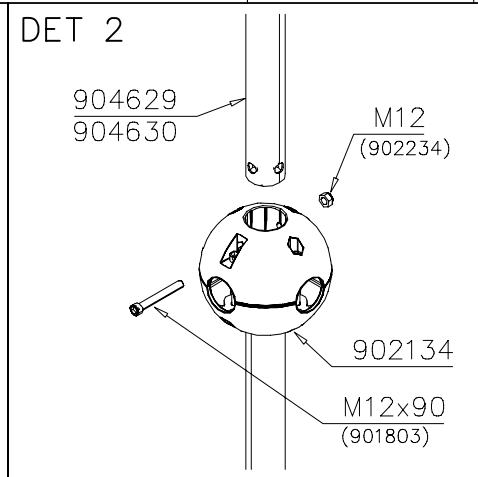
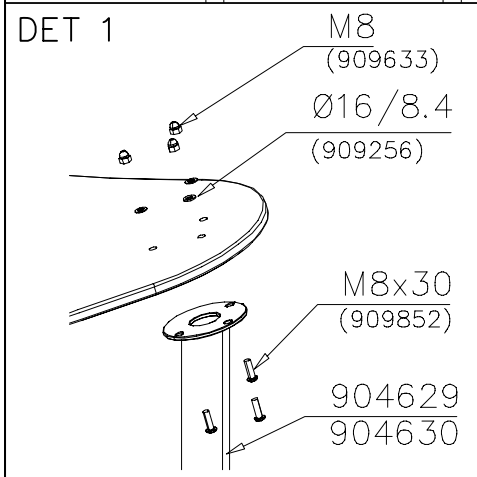
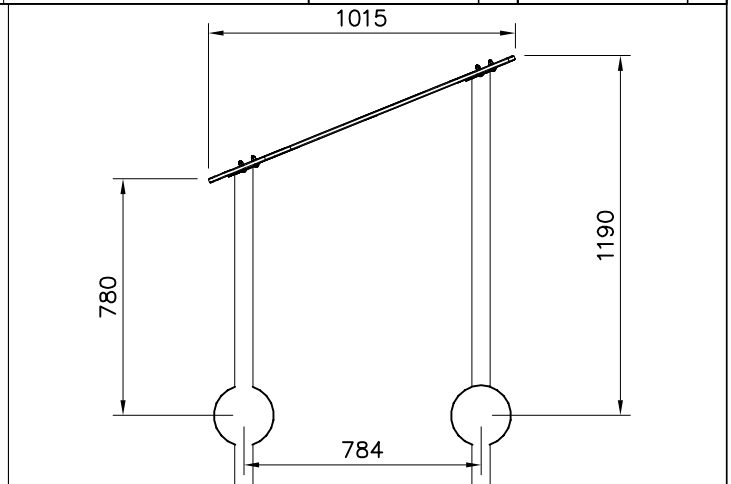
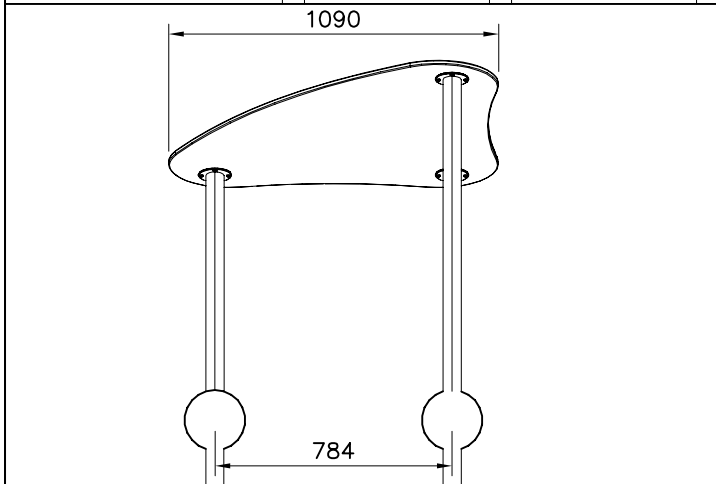
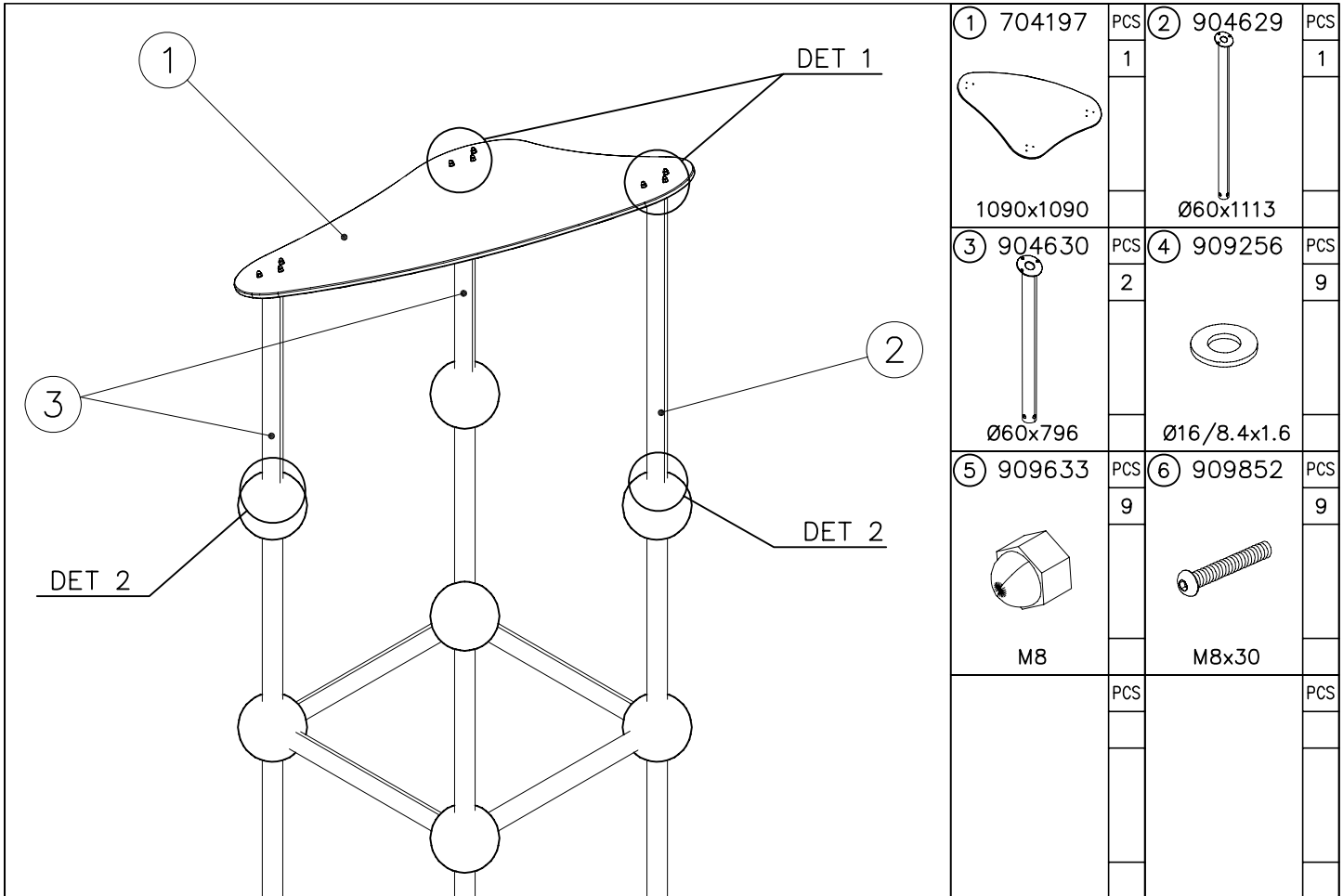
Die Auslieferung des Produktaufklebers erfolgt auf eine dieser Arten:

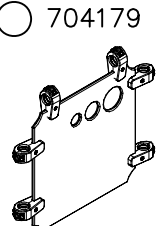
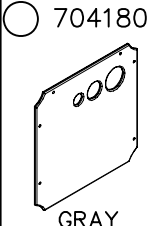
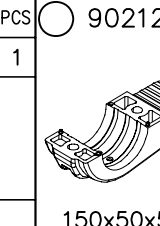
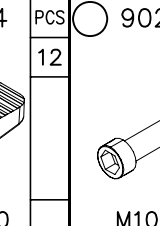
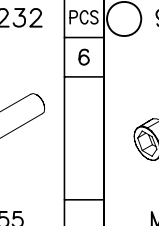
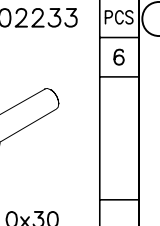
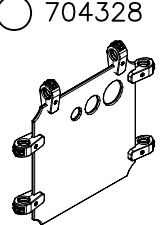
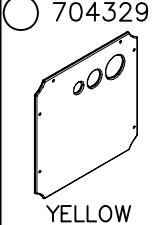
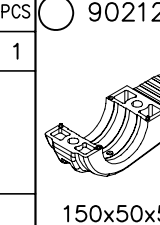
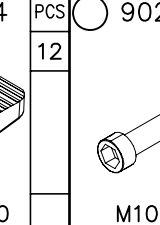
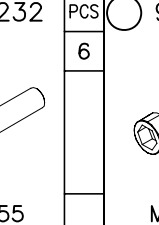
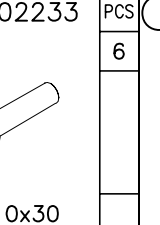
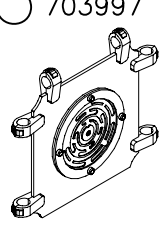
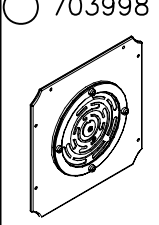
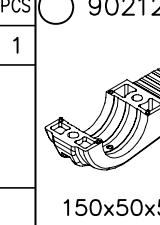
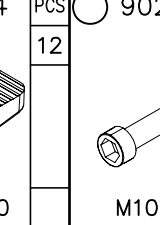
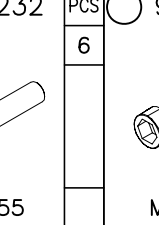
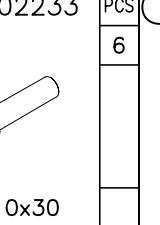
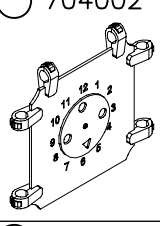
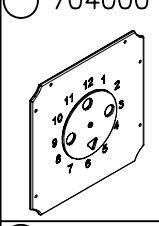
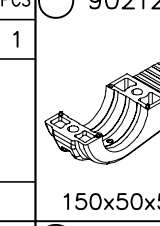
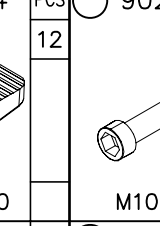
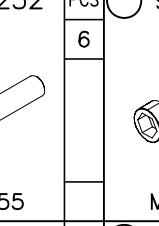
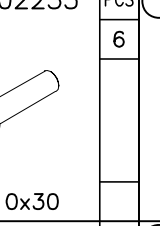
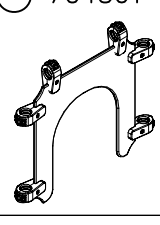
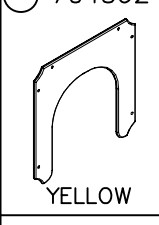
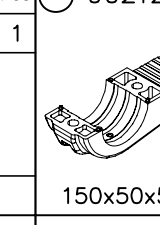
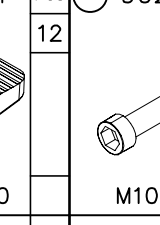
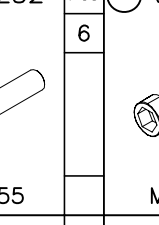
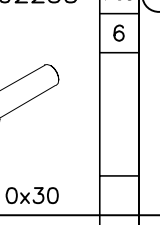
1) Produkt-Schild aus Metall incl. Schrauben

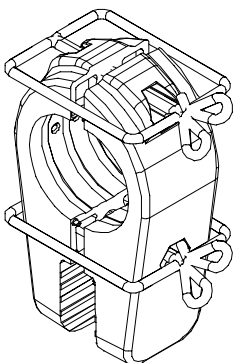
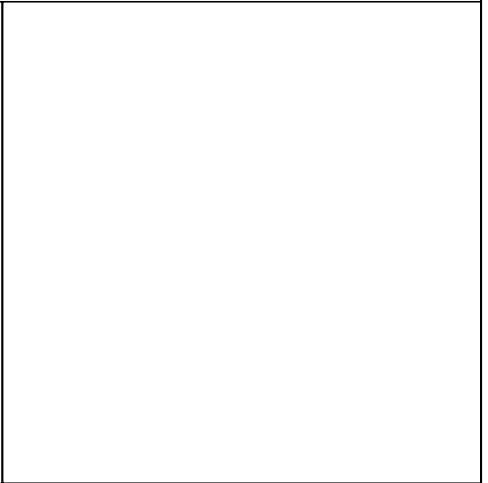
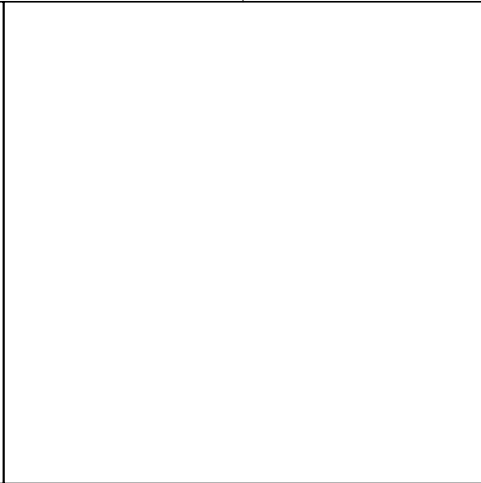
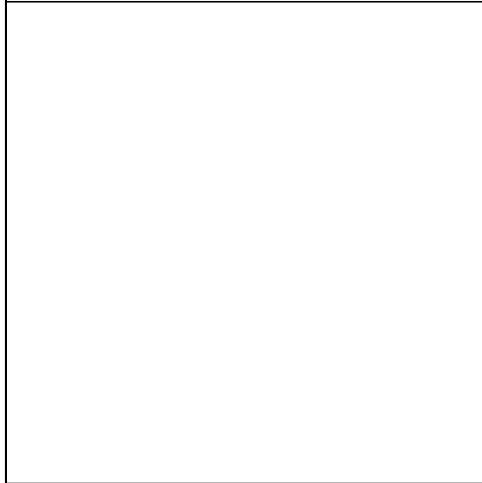
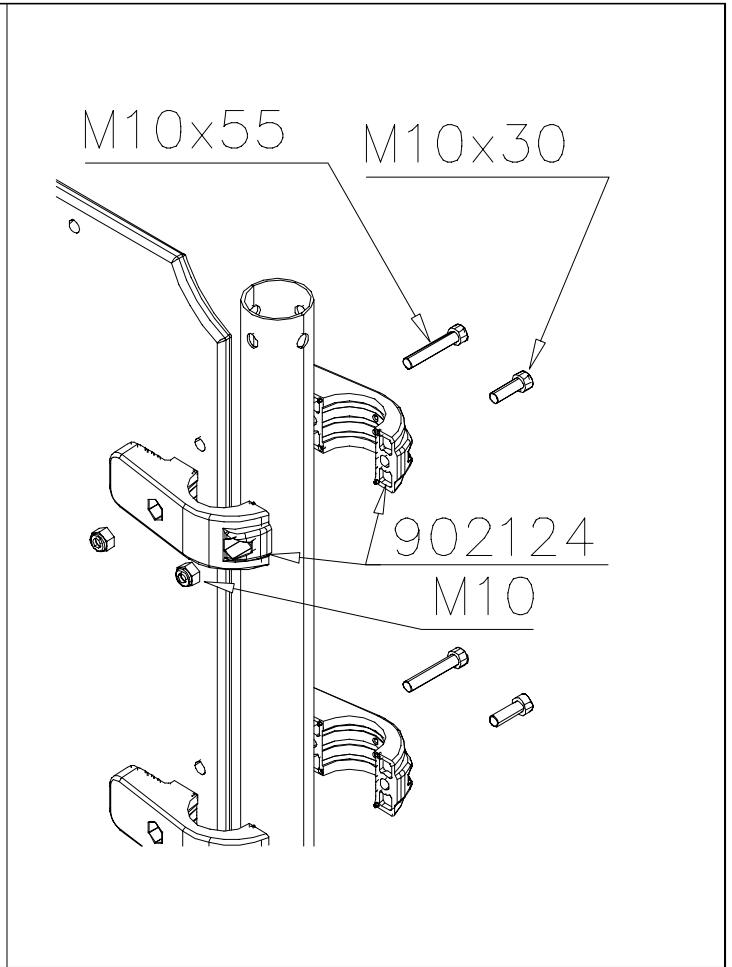
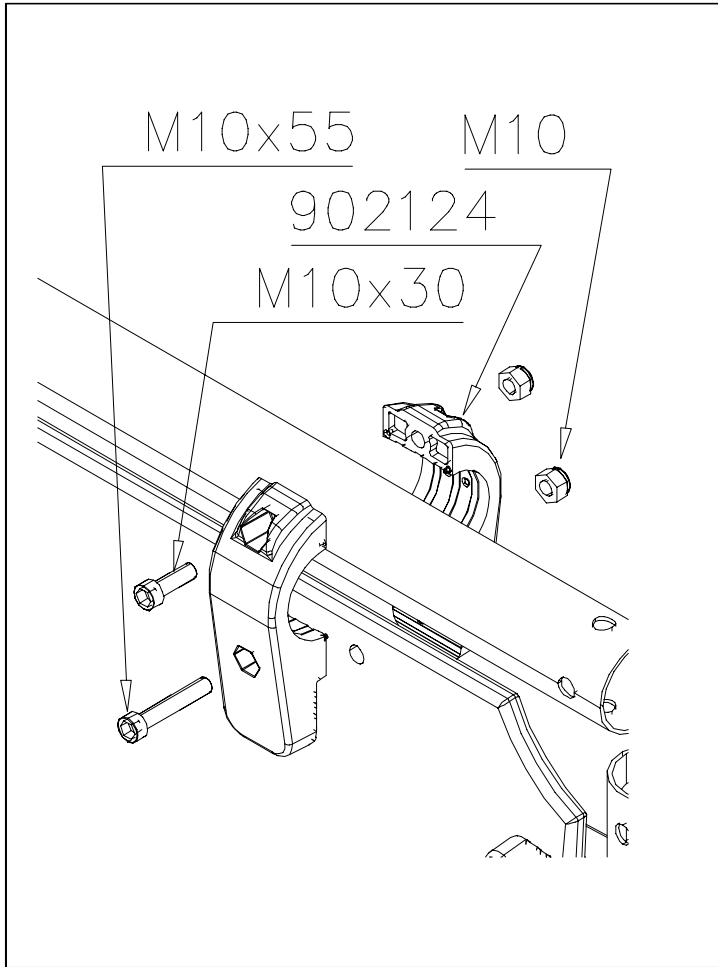
- Die Befestigung des Schildes erfolgt mittels der Schrauben.

2) Aufkleber

- EntfernenSiezunächstSchmutzundFeuchtigkeitvomlackiertenMetallbzw.vonderHolzoberflächeundbringenSiedenAufkleber wie im Bild oben rechts beschrieben auf den gesäuberten Untergrund auf.
- Beachten Sie: Bringen Sie den Aufkleber nicht auf raues laminiertes oder lackiertes Holz an.



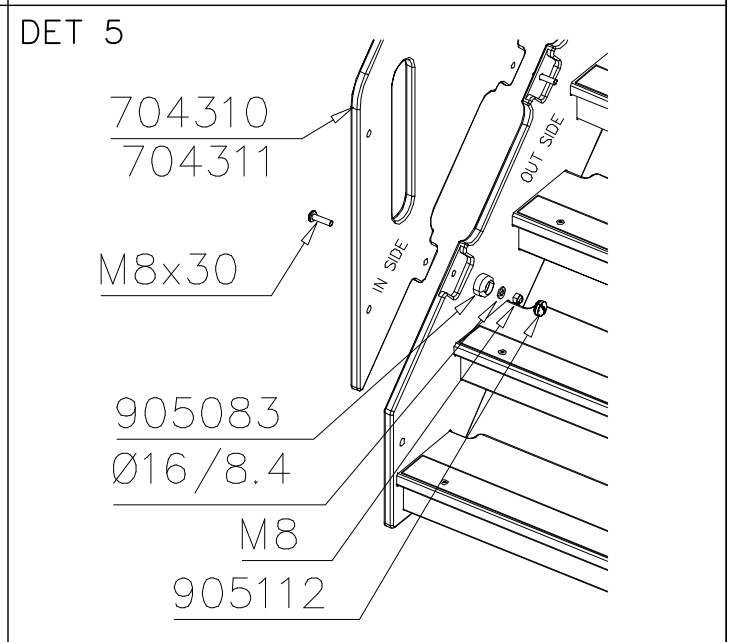
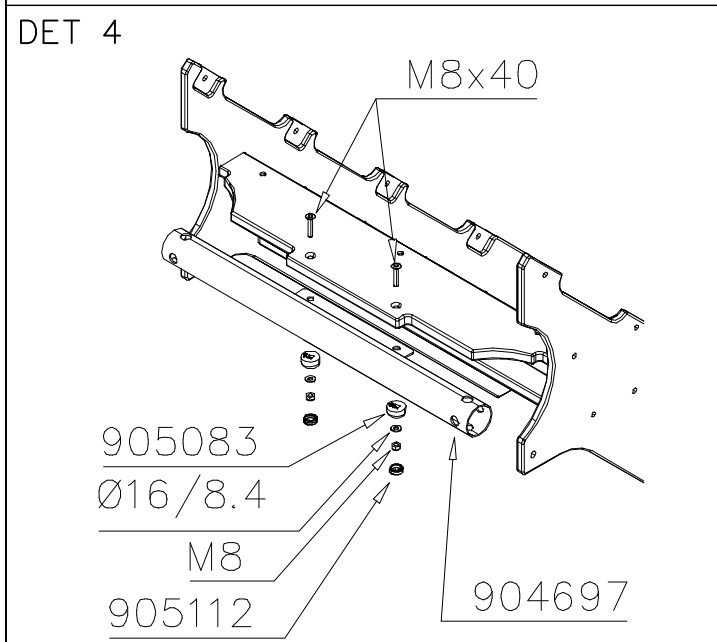
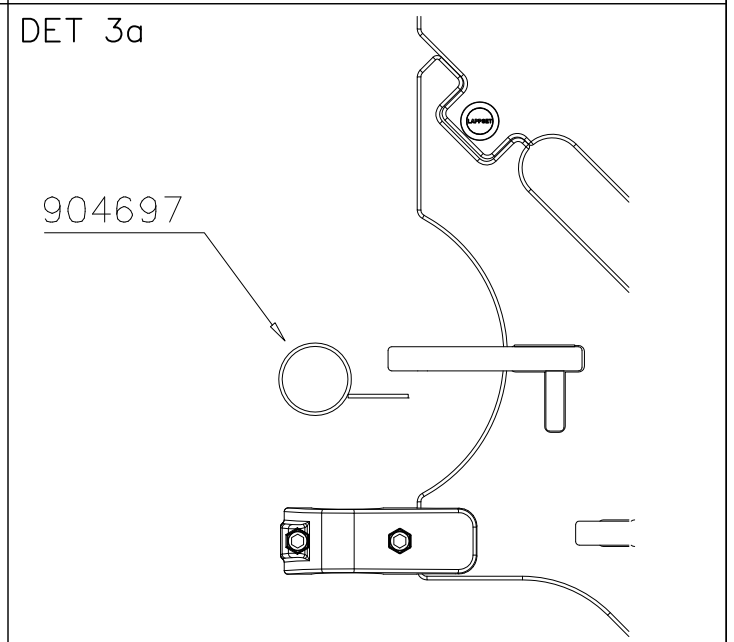
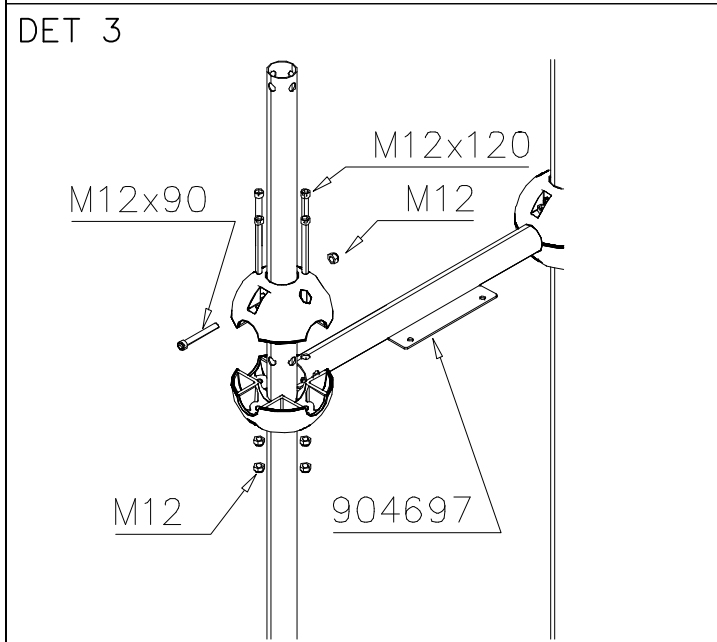
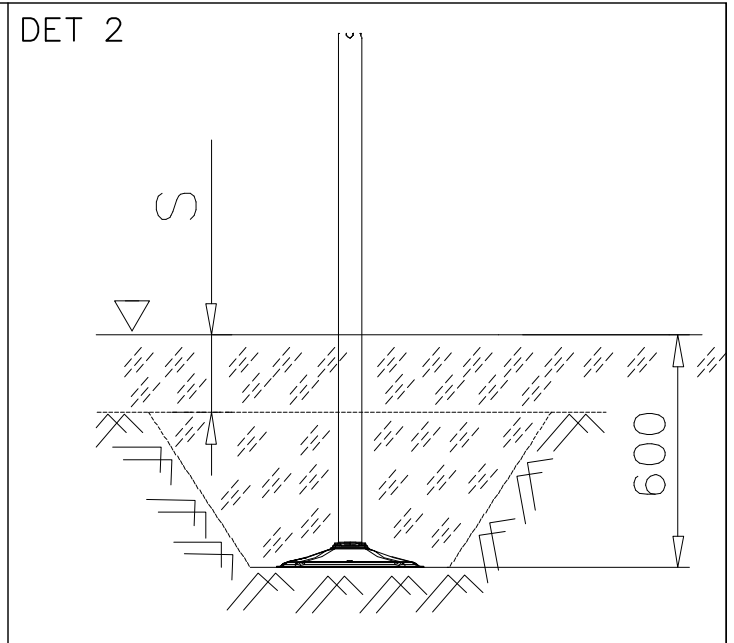
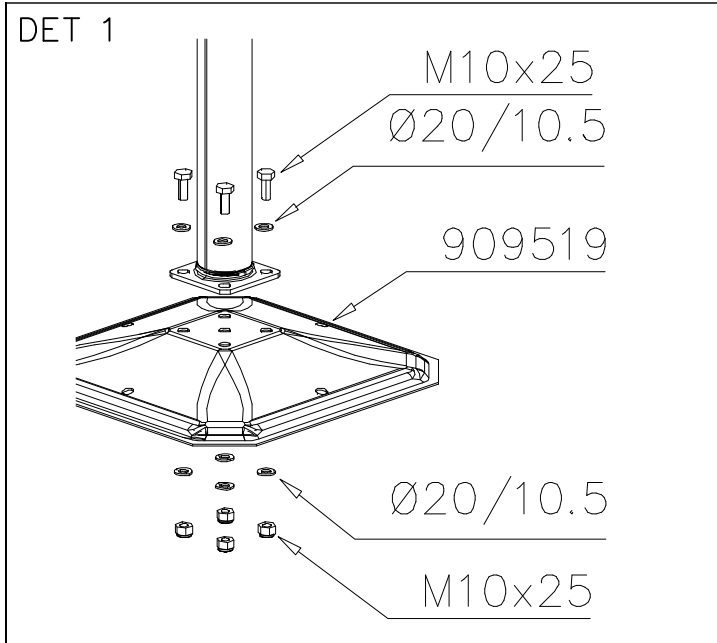
 <p>704179</p>	 <p>704180 GRAY</p>	<p>PCS</p> <p>1</p>	 <p>902124</p> <p>150x50x50</p>	<p>PCS</p> <p>12</p>	 <p>902232</p> <p>M10x55</p>	<p>PCS</p> <p>6</p>	 <p>902233</p> <p>M10x30</p>	<p>PCS</p> <p>6</p>	 <p>980161</p> <p>M10</p>	<p>PCS</p> <p>12</p>		<p>PCS</p>
 <p>704328</p>	 <p>704329 YELLOW</p>	<p>PCS</p> <p>1</p>	 <p>902124</p> <p>150x50x50</p>	<p>PCS</p> <p>12</p>	 <p>902232</p> <p>M10x55</p>	<p>PCS</p> <p>6</p>	 <p>902233</p> <p>M10x30</p>	<p>PCS</p> <p>6</p>	 <p>980161</p> <p>M10</p>	<p>PCS</p> <p>12</p>		<p>PCS</p>
 <p>703997</p>	 <p>703998</p>	<p>PCS</p> <p>1</p>	 <p>902124</p> <p>150x50x50</p>	<p>PCS</p> <p>12</p>	 <p>902232</p> <p>M10x55</p>	<p>PCS</p> <p>6</p>	 <p>902233</p> <p>M10x30</p>	<p>PCS</p> <p>6</p>	 <p>980161</p> <p>M10</p>	<p>PCS</p> <p>12</p>		<p>PCS</p>
 <p>704002</p>	 <p>704000</p>	<p>PCS</p> <p>1</p>	 <p>902124</p> <p>150x50x50</p>	<p>PCS</p> <p>12</p>	 <p>902232</p> <p>M10x55</p>	<p>PCS</p> <p>6</p>	 <p>902233</p> <p>M10x30</p>	<p>PCS</p> <p>6</p>	 <p>980161</p> <p>M10</p>	<p>PCS</p> <p>12</p>		<p>PCS</p>
 <p>704361</p>	 <p>704362 YELLOW</p>	<p>PCS</p> <p>1</p>	 <p>902124</p> <p>150x50x50</p>	<p>PCS</p> <p>12</p>	 <p>902232</p> <p>M10x55</p>	<p>PCS</p> <p>6</p>	 <p>902233</p> <p>M10x30</p>	<p>PCS</p> <p>6</p>	 <p>980161</p> <p>M10</p>	<p>PCS</p> <p>12</p>		<p>PCS</p>
		<p>PCS</p>		<p>PCS</p>		<p>PCS</p>		<p>PCS</p>		<p>PCS</p>		<p>PCS</p>
		<p>PCS</p>		<p>PCS</p>		<p>PCS</p>		<p>PCS</p>		<p>PCS</p>		<p>PCS</p>
		<p>PCS</p>		<p>PCS</p>		<p>PCS</p>		<p>PCS</p>		<p>PCS</p>		<p>PCS</p>



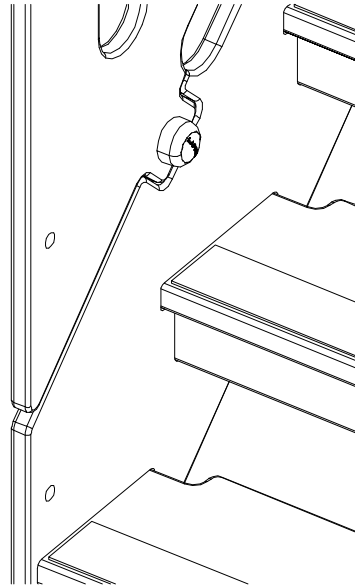
NOTE:
 Use a wire marked pairs
 of the same junction.

Huom!
 Käytä langalla merkittyä
 paria samassa liitoksessa.

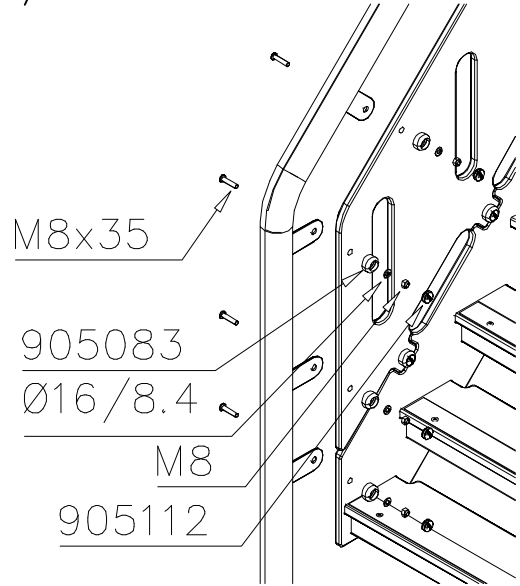
				1 704309 PCS 1	2 704310 LEFT PCS 1			
				3 704311 RIGHT PCS 1	4 902124 150x50x50 PCS 12			
				5 902232 M10x55 PCS 6	6 902233 M10x30 PCS 6			
				7 904068 M8x40 PCS 2	8 904697 Ø60.3x2.9x710 PCS 1			
				9 904760 LEFT PCS 1	10 904761 RIGHT PCS 1			
				11 905083 Ø32 PCS 20	12 905112 Ø22 PCS 20			
				13 909256 Ø16/8.4x1.6 PCS 20	14 909519 50x380x380 PCS 2	15 909637 M10 PCS 8	16 909638 Ø20/10.5 PCS 16	
				17 909639 M10x25 PCS 8	18 909852 M8x30 PCS 8	19 909855 M8x35 PCS 10	20 980160 M8 PCS 20	21 980161 M10 PCS 12



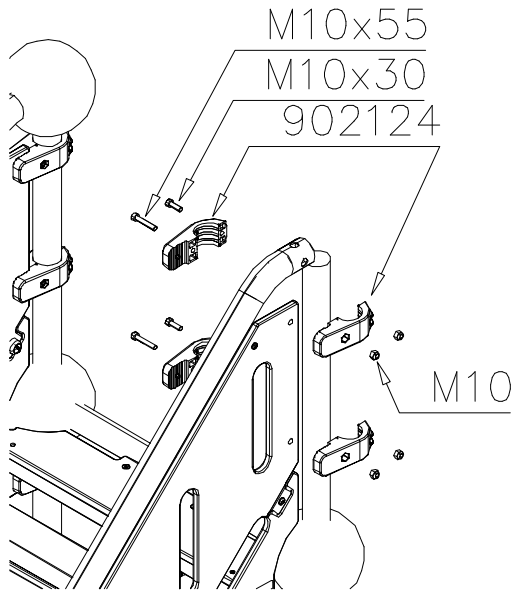
DET 6



DET 7



DET 8

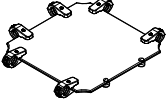
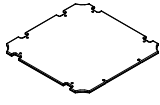
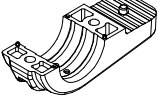
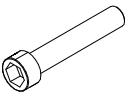
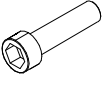
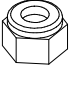
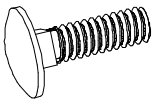

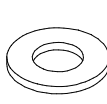

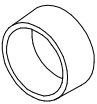
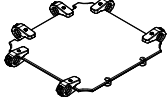
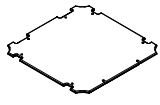
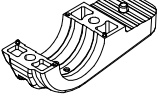
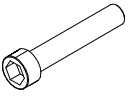
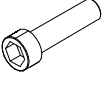
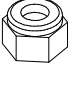
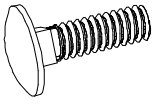

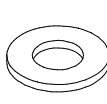

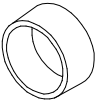
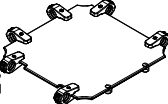
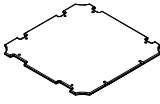
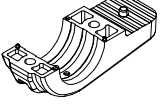
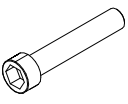
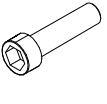
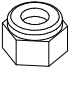
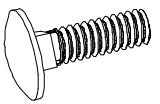

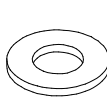

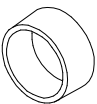


LAPPSET® FLOOR (SLIDE)

CLOXX

DATE: 3.10.2013

1(3)

○ 704432 	○ 704038 	PCS 1	○ 902124  150x50x50	PCS 12	○ 902232  M10x55	PCS 6	○ 902233  M10x30	PCS 6	○ 980161  M10	PCS 12		PCS
		PCS	○ 909109  M12x40	PCS 2	○ 905090  Ø45	PCS 2	○ 980154  Ø24/13	PCS 2	○ 909248  M12	PCS 2	○ 905115  Ø32	PCS 2
		PCS		PCS		PCS		PCS		PCS		PCS
○ 704447 	○ 704446 	PCS 1	○ 902124  150x50x50	PCS 12	○ 902232  M10x55	PCS 6	○ 902233  M10x30	PCS 6	○ 980161  M10	PCS 12		PCS
		PCS	○ 909109  M12x40	PCS 2	○ 905090  Ø45	PCS 2	○ 980154  Ø24/13	PCS 2	○ 909248  M12	PCS 2	○ 905115  Ø32	PCS 2
		PCS		PCS		PCS		PCS		PCS		PCS
○ 704666 	○ 704667 	PCS 1	○ 902124  150x50x50	PCS 12	○ 902232  M10x55	PCS 6	○ 902233  M10x30	PCS 6	○ 980161  M10	PCS 12		PCS
		PCS	○ 909109  M12x40	PCS 2	○ 905090  Ø45	PCS 2	○ 980154  Ø24/13	PCS 2	○ 909248  M12	PCS 2	○ 905115  Ø32	PCS 2
		PCS		PCS		PCS		PCS		PCS		PCS

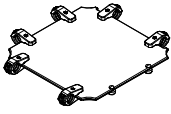
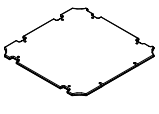
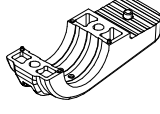
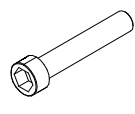
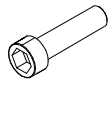
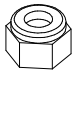
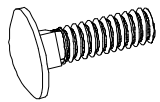
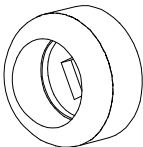
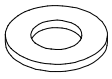
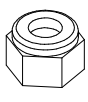
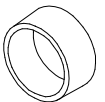
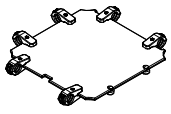
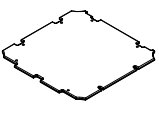
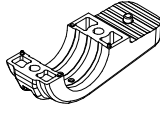
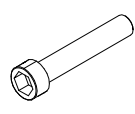
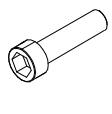
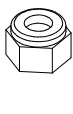
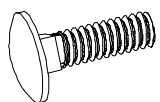
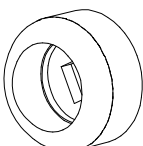
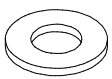
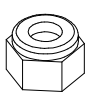
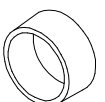
LAPPSET®

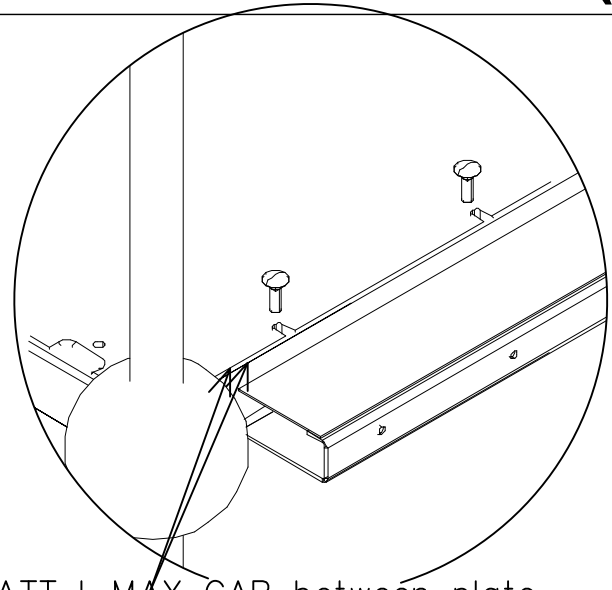
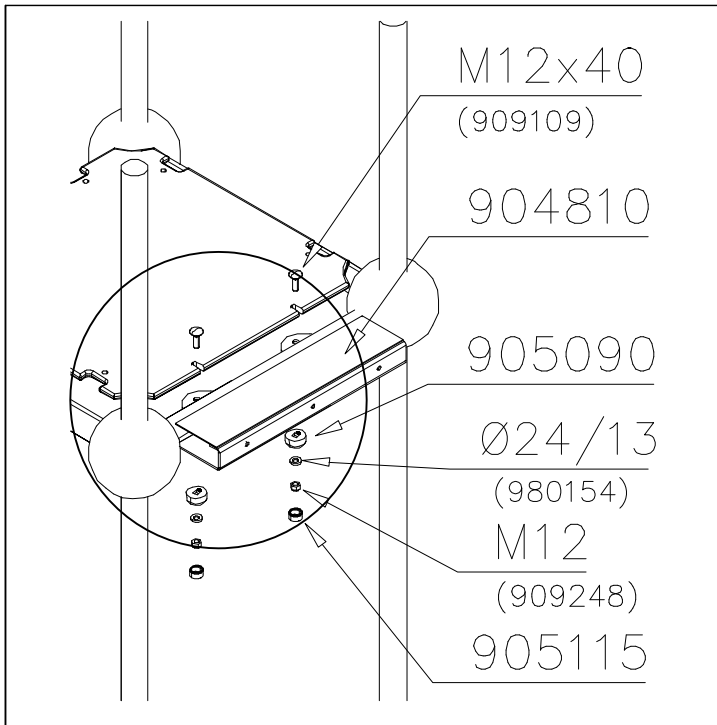
FLOOR (SLIDE)

CLOXX

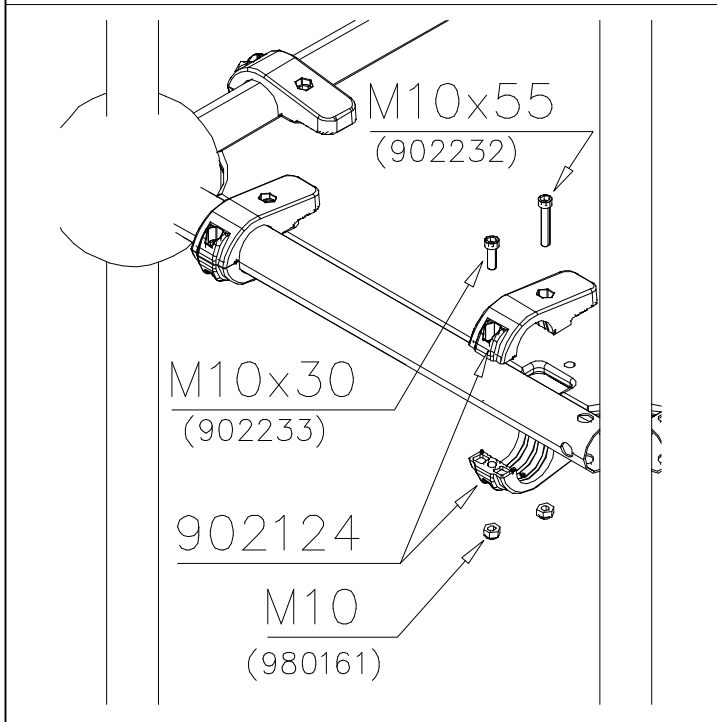
DATE: 3.10.2013

2(3)

○ 704684	○ 704685	PCS 1	○ 902124	PCS 12	○ 902232	PCS 6	○ 902233	PCS 6	○ 980161	PCS 12		PCS
			 150x50x50		 M10x55		 M10x30		 M10			
		PCS	○ 909109	PCS 2	○ 905090	PCS 2	○ 980154	PCS 2	○ 909248	PCS 2	○ 905115	PCS 2
			 M12x40		 Ø45		 Ø24/13		 M12		 Ø32	
		PCS		PCS		PCS		PCS		PCS		PCS
○ 704692	○ 704693	PCS 1	○ 902124	PCS 12	○ 902232	PCS 6	○ 902233	PCS 6	○ 980161	PCS 12		PCS
			 150x50x50		 M10x55		 M10x30		 M10			
		PCS	○ 909109	PCS 2	○ 905090	PCS 2	○ 980154	PCS 2	○ 909248	PCS 2	○ 905115	PCS 2
			 M12x40		 Ø45		 Ø24/13		 M12		 Ø32	
		PCS		PCS		PCS		PCS		PCS		PCS
		PCS		PCS		PCS		PCS		PCS		PCS

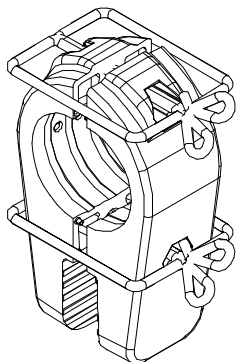
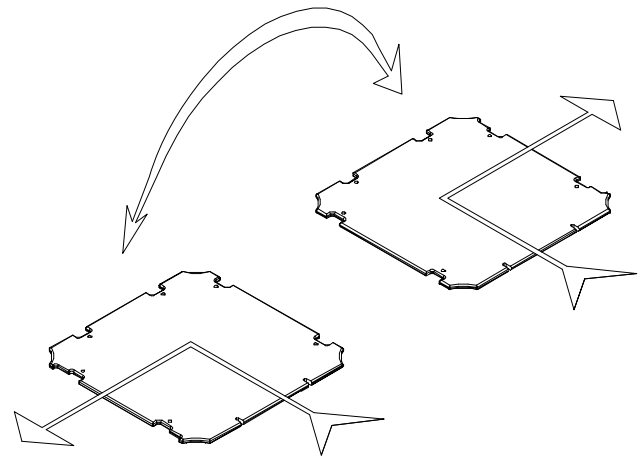


ATT ! MAX GAP between plate
and tube is 6mm
 HUOM ! MAKSIMI VÄLI lattialevyllä
ja putkella on 6mm



KÄYTÄ TARVITTAESSA SAMAA LEVYÄ
VASEMALLE TAI OIKEALLE.

IF NECESSARY USE SAME PLATE LEFT
OR RIGHT.

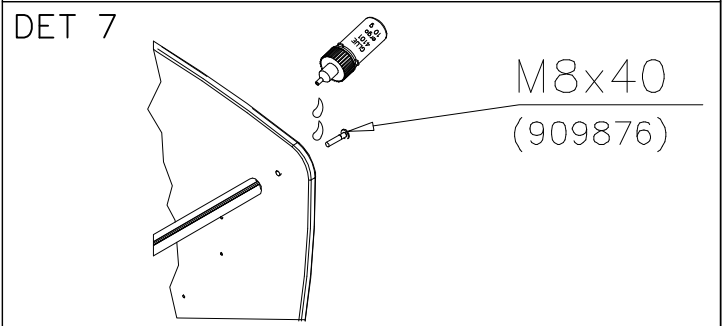
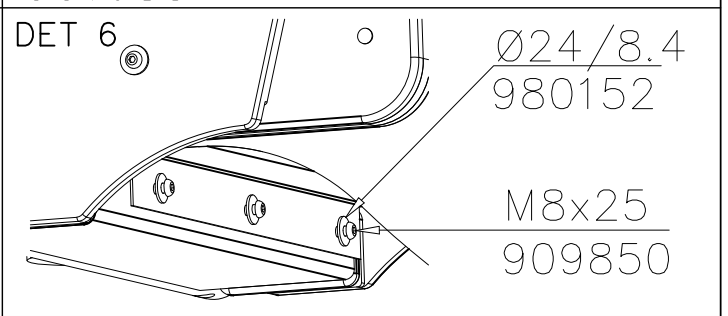
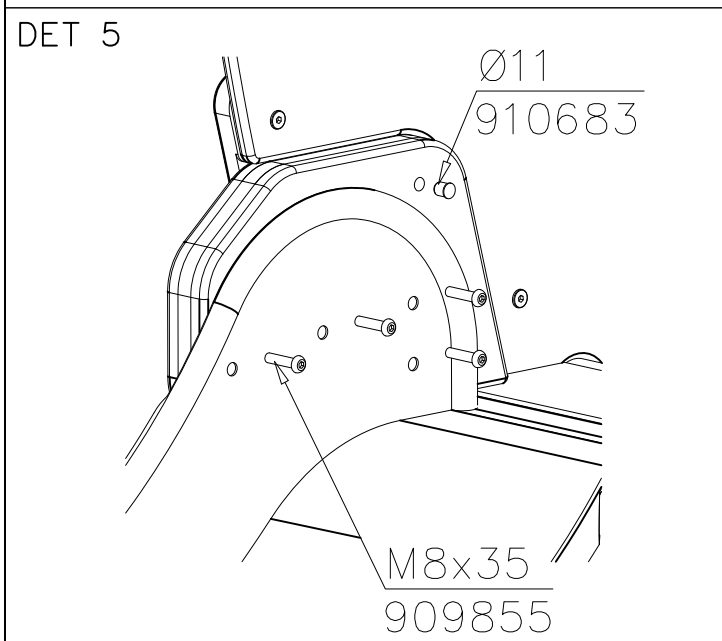
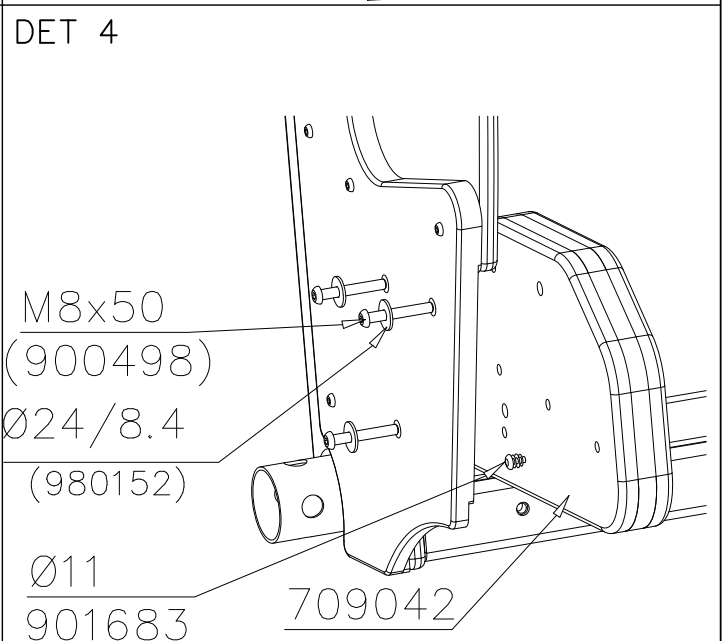
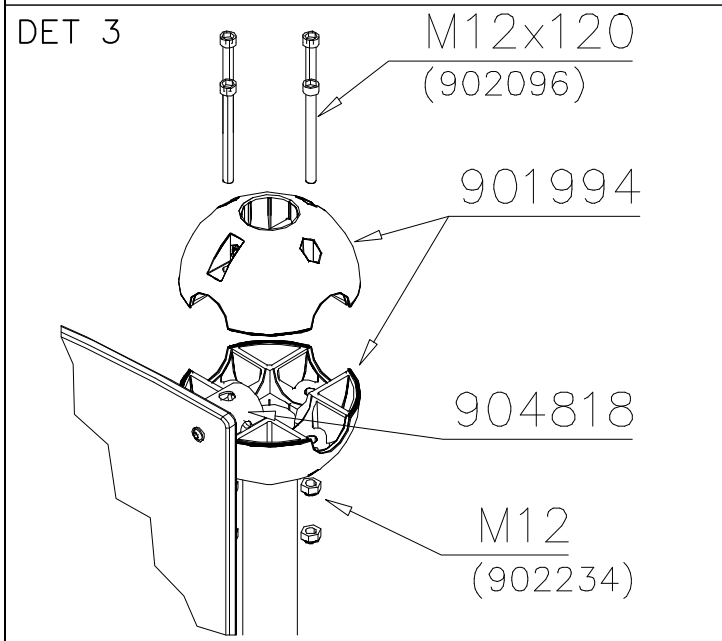
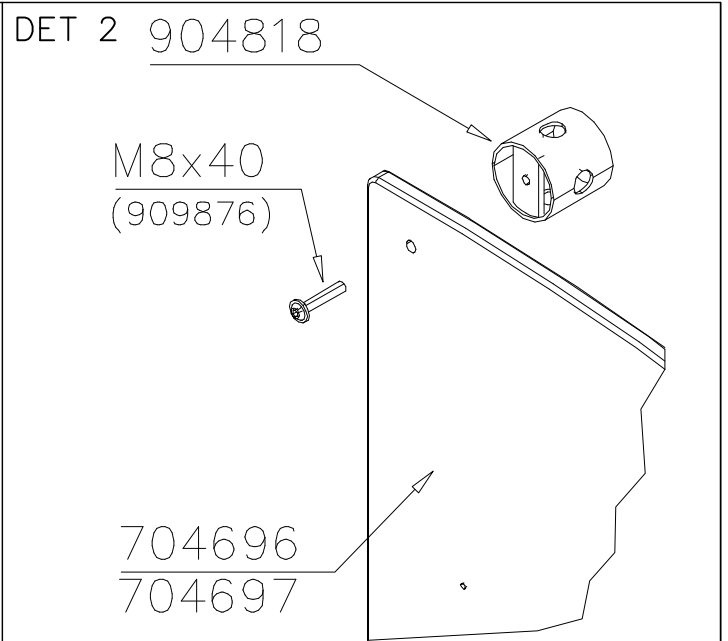
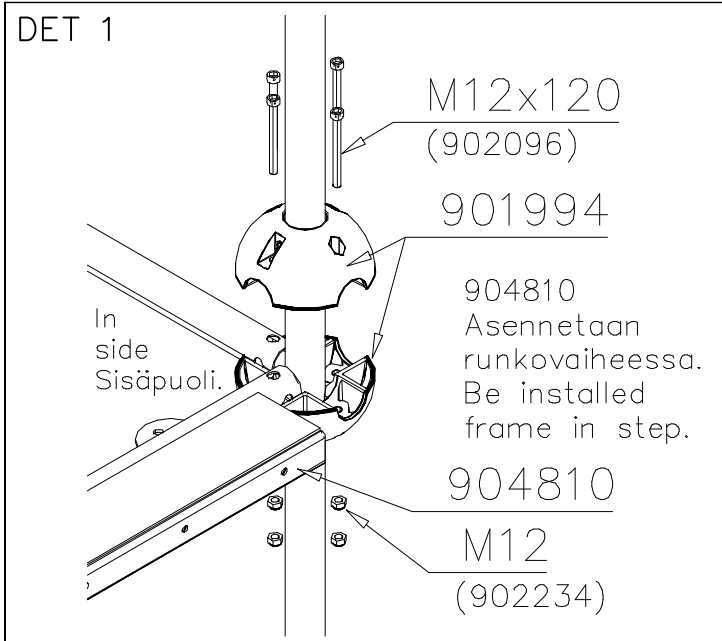


NOTE:
Use a wire marked pairs
of the same junction.

Huom!
Käytä langalla merkittyä
paria samassa liitoksessa.

Exploded view diagram of a mechanical assembly. The diagram shows various components labeled with circled numbers 1 through 13 and sub-assemblies labeled DET 1 through DET 7. Dimensions are provided for several parts: 860, 784, 468, and a range of (870-1470-1970-2070).

① 704696	PCS	② 704697	PCS
	1		1
③ 904810	PCS	④ 904818	PCS
	1		2
⑤ 904833	PCS	⑥ 909876	PCS
	1		4
Ø30x565		M8x40	
⑦ 980152	PCS	⑧ 900498	PCS
	9		6
Ø24/8.4		M8x50	
⑨ 999561	PCS	⑩ 709042	PCS
	1		2
10 g			
		⑪ 909855	PCS
			8
		M8x35	
		⑫ 910683	PCS
			4
		Ø11	
		⑬ 909850	PCS
			3
		M8x25	



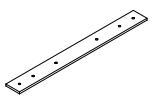
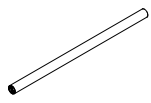

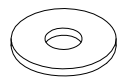
LAPPSET

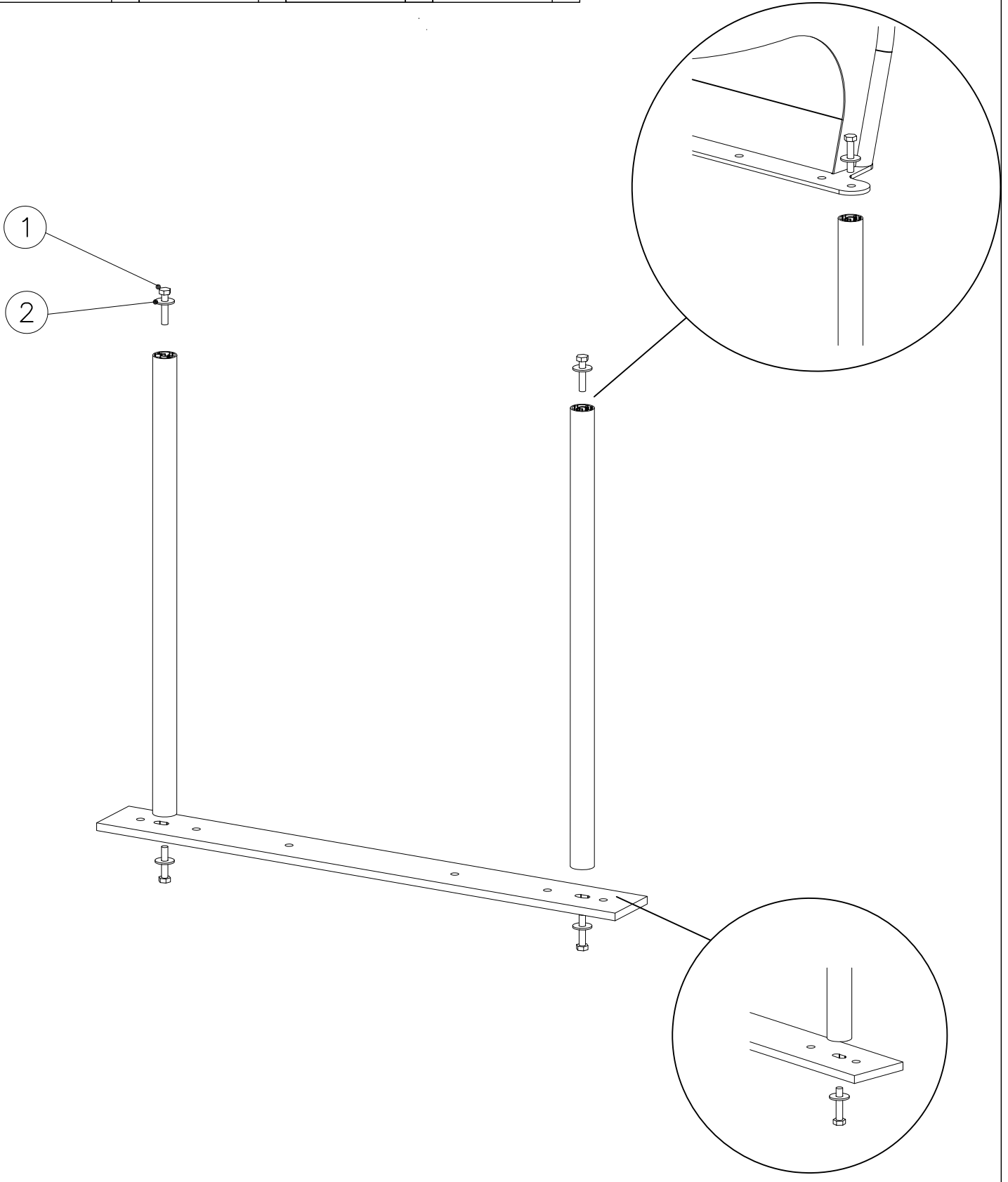
DEEP FOUNDATION

SLIDE METAL

DATE: 11.2.2019

1(1)

○ 707133	PCS	○ 901868	PCS	① 909210	PCS	② 905051	PCS
	1		2		4		4
							
10x80x745		Ø30x598		M8x40		Ø24/8.4	



LAPPSET

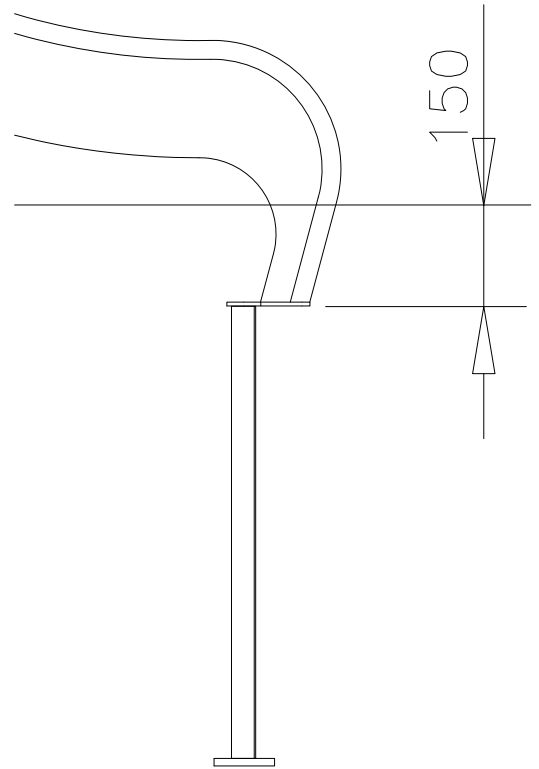
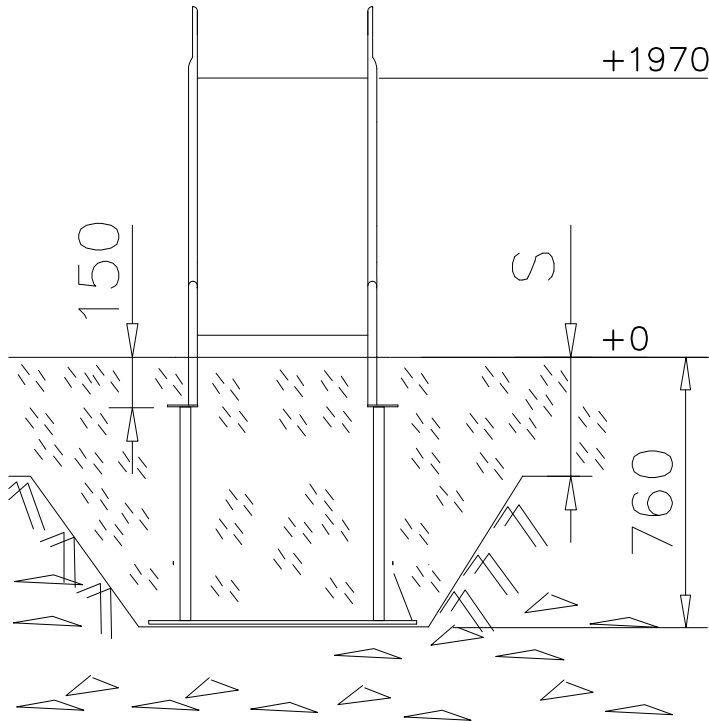
DEEP FOUNDATION

SLIDE METAL

DATE: 24.11.2020

1(1)

Floor level +1970



Floor level +870,
+1470, +2070

