

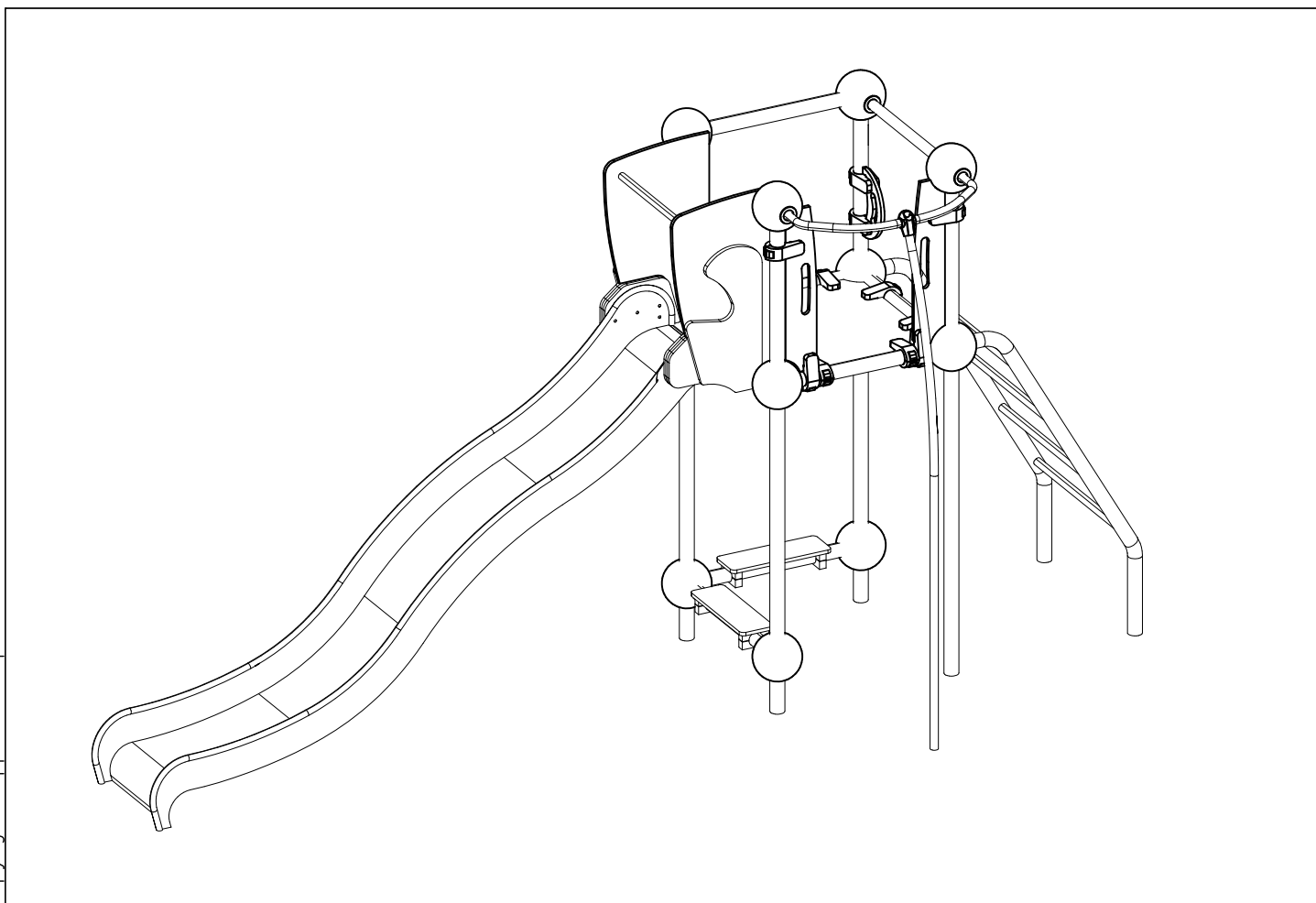
# **LAPPSET®**

## **CLOXX**


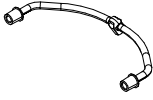

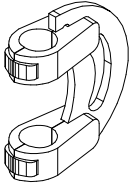

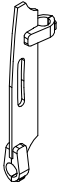

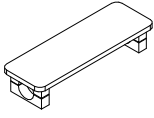

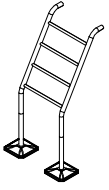

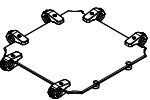
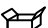
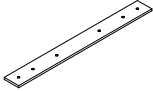


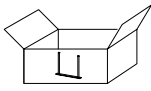
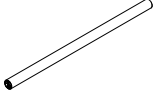
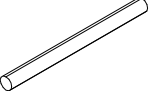
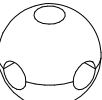

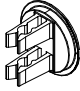
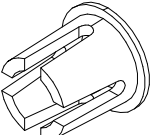


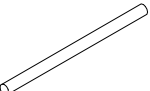

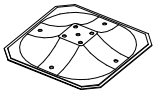
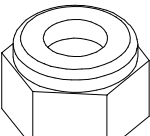

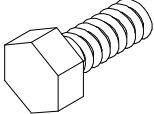
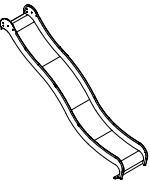
ASENNUSOHJE  
MONTERINGSANSVISNING  
INSTALLATION INSTRUCTION  
AUFBAUANLEITUNG  
NOTICE D'INSTALLATION

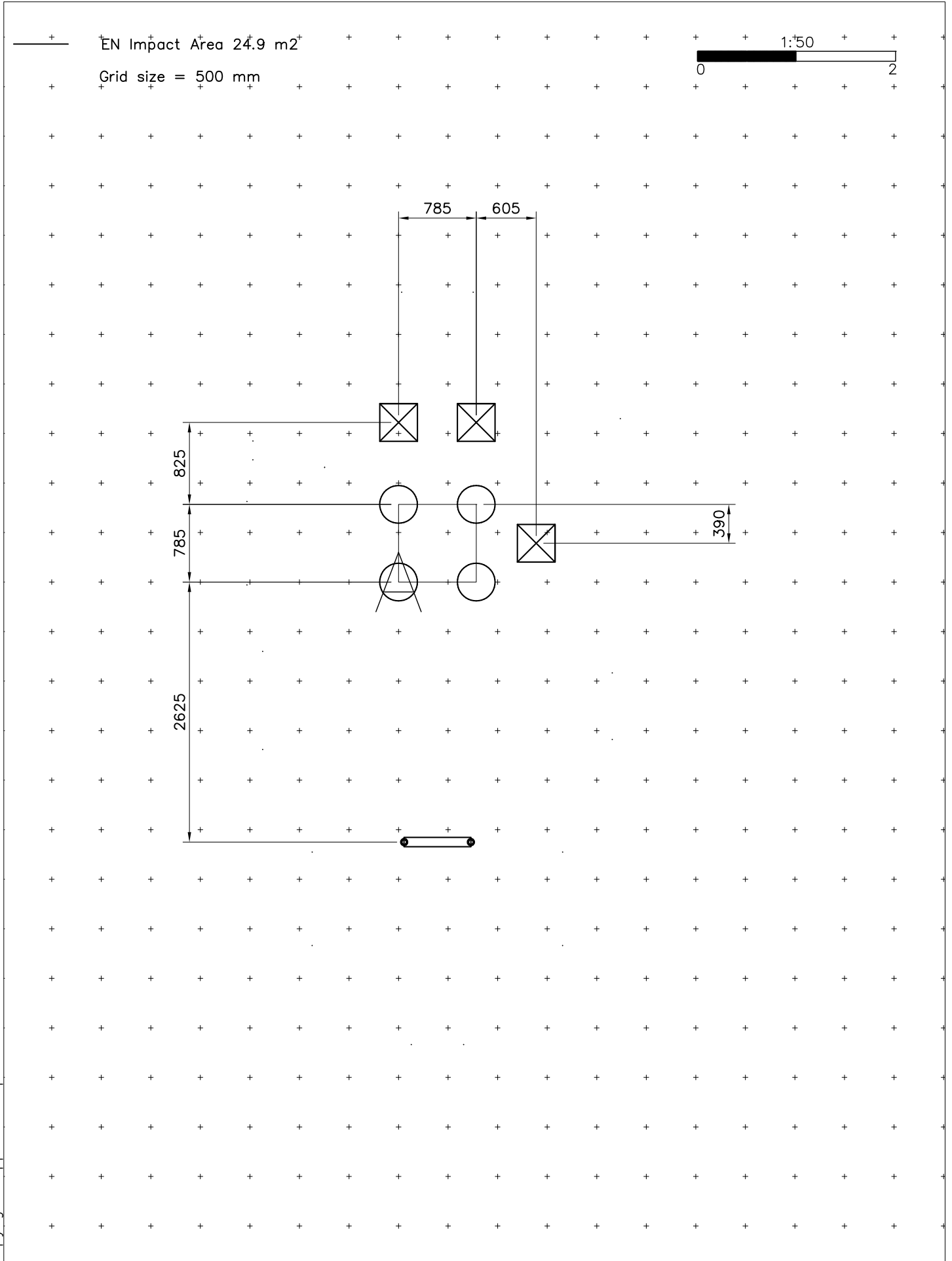
DATE: 22.2.2019

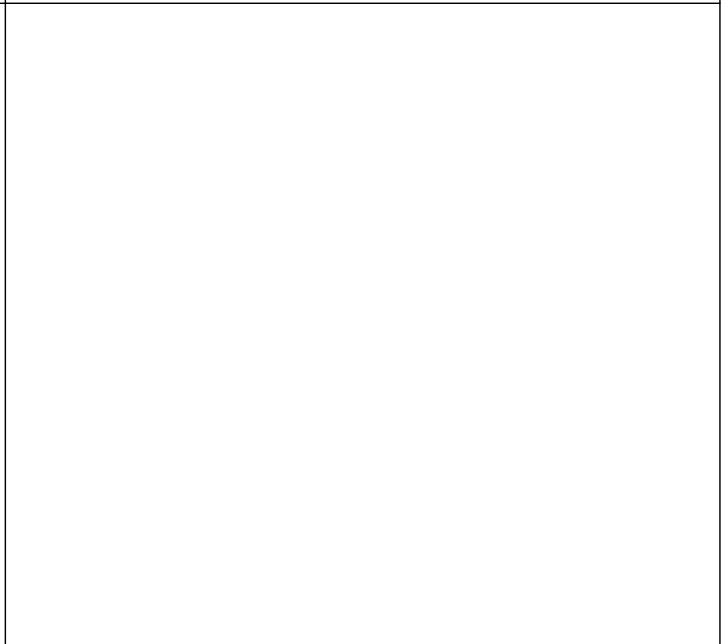
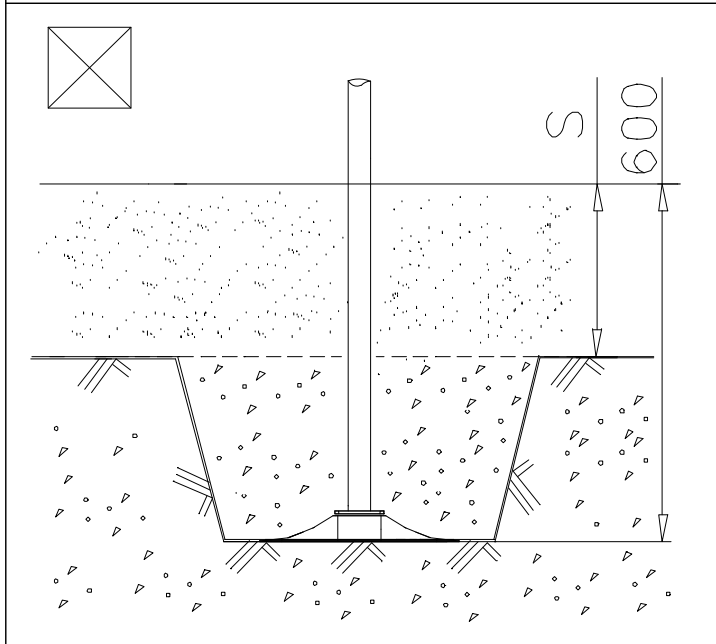
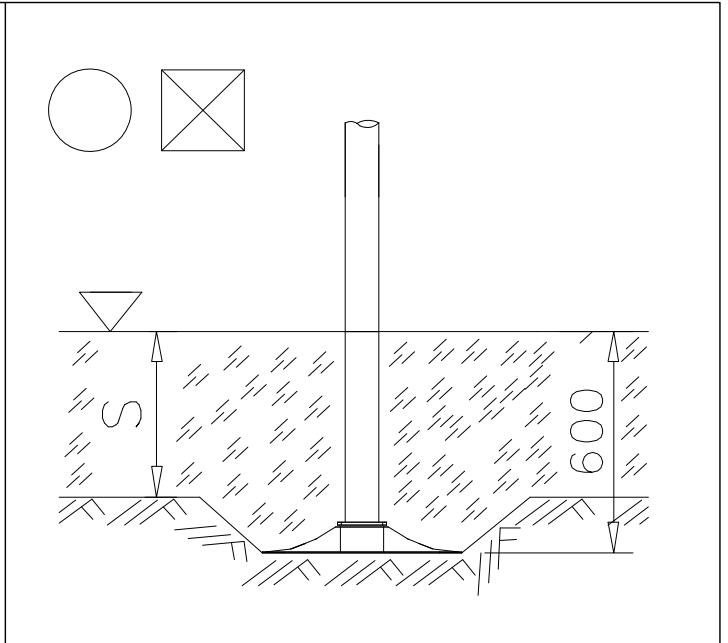
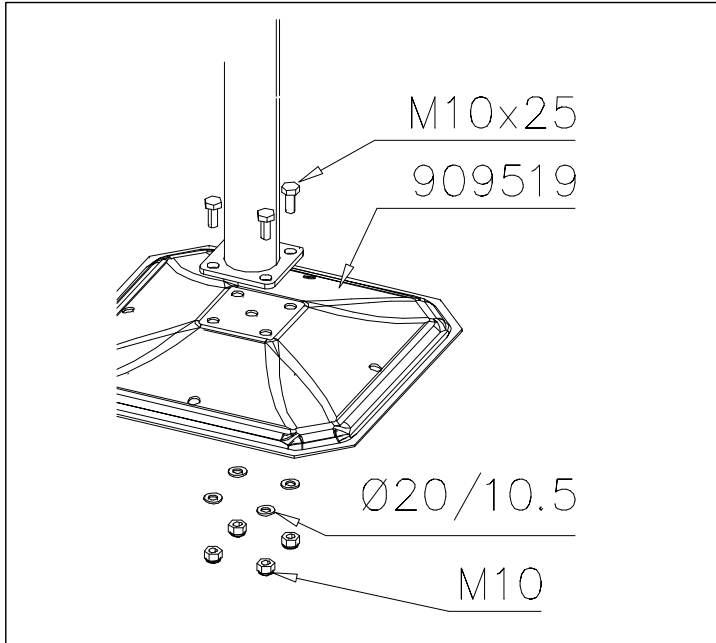
### **220305**



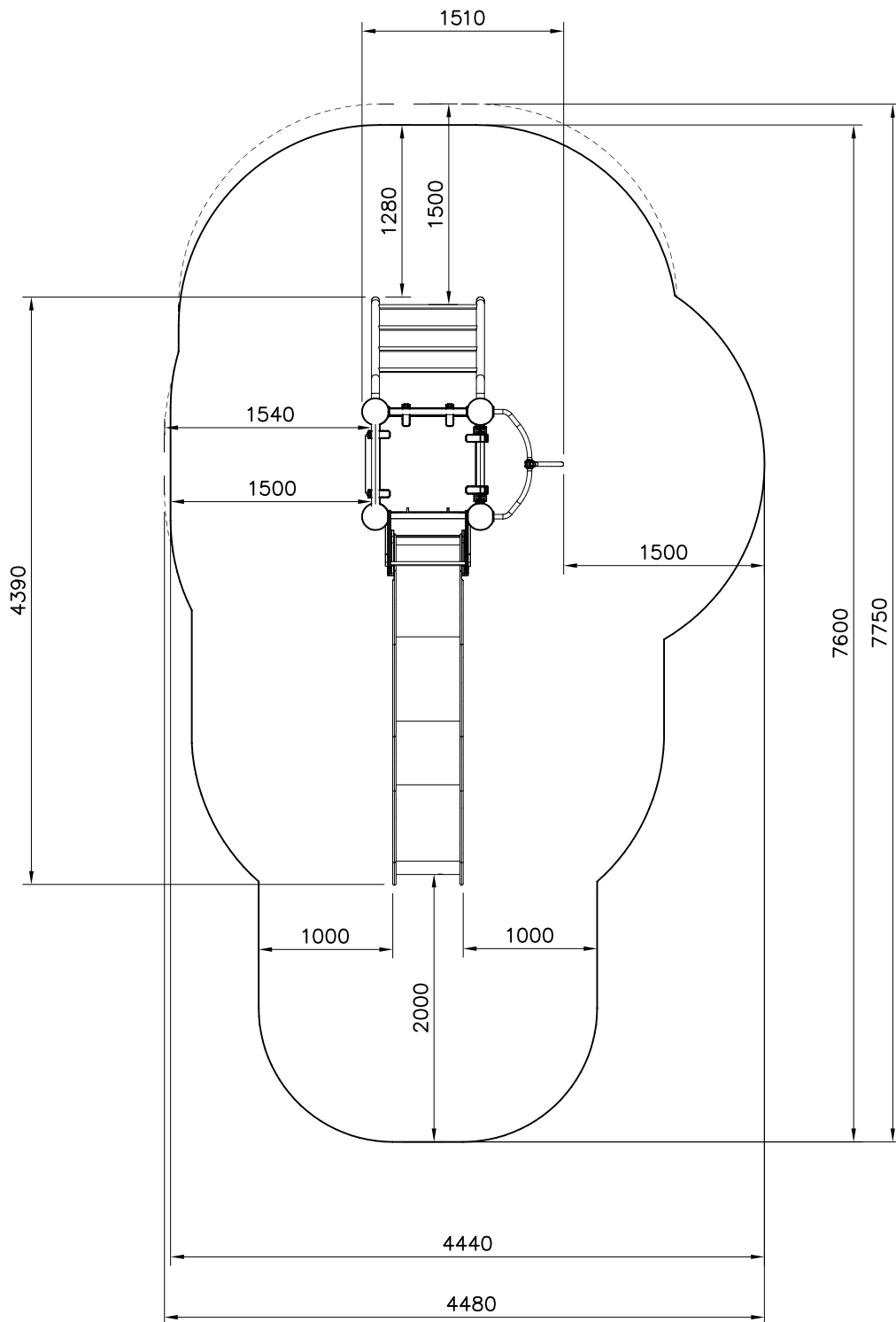
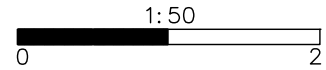
DATE: 22.2.2019

702341  90x50	PCS 1	704015  	PCS 1	704159  	PCS 1	704219  	PCS 2	704332  	PCS 2	704438  	PCS 1
704684  	PCS 1	707133  10x80x745	PCS 1	708858  	PCS 1	709045 	PCS 1	901868  Ø34x598	PCS 2	902022  L 710	PCS 6
902134  	PCS 11	902157  60x60x2	PCS 25	904100  Ø60/40	PCS 2	904455  L 2737	PCS 3	904456  L 2737	PCS 1	904819  Ø44.5x710	PCS 1
904844  L 2758	PCS 1	909519  380x380	PCS 5	909637  M10	PCS 20	909638  Ø20/10.5	PCS 40	909639  M10x25	PCS 20	909709  +1470	PCS 1
	PCS		PCS		PCS		PCS		PCS		PCS
	PCS		PCS		PCS		PCS		PCS		PCS
	PCS		PCS		PCS		PCS		PCS		PCS

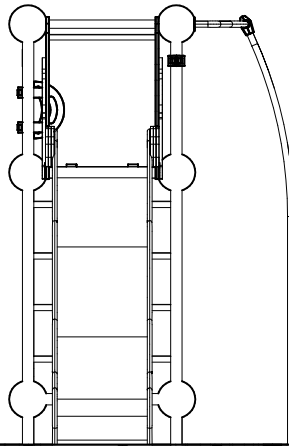




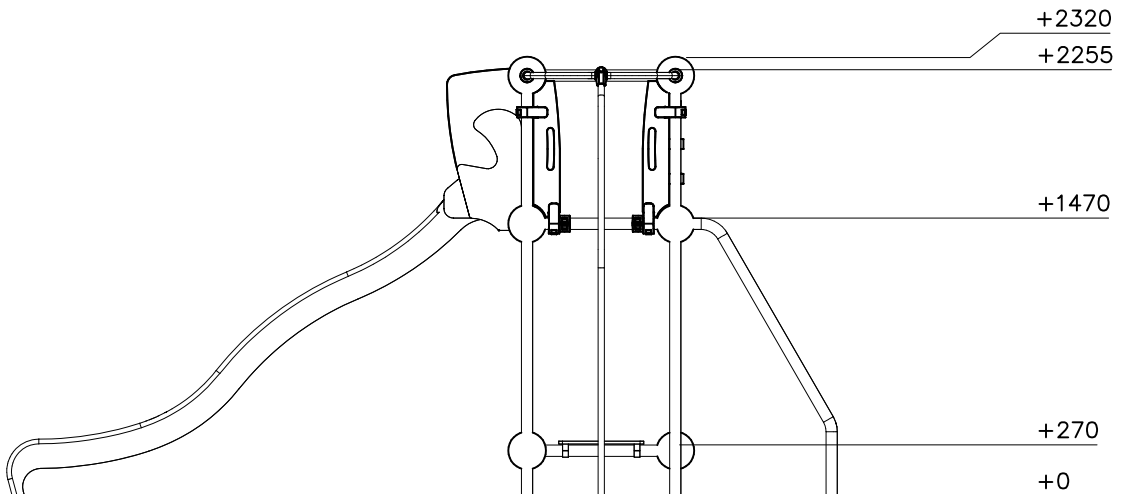
— EN Impact Area 24.9 m<sup>2</sup>  
- - - Falling Space 25.7 m<sup>2</sup>  
Max Falling Height 1470 mm

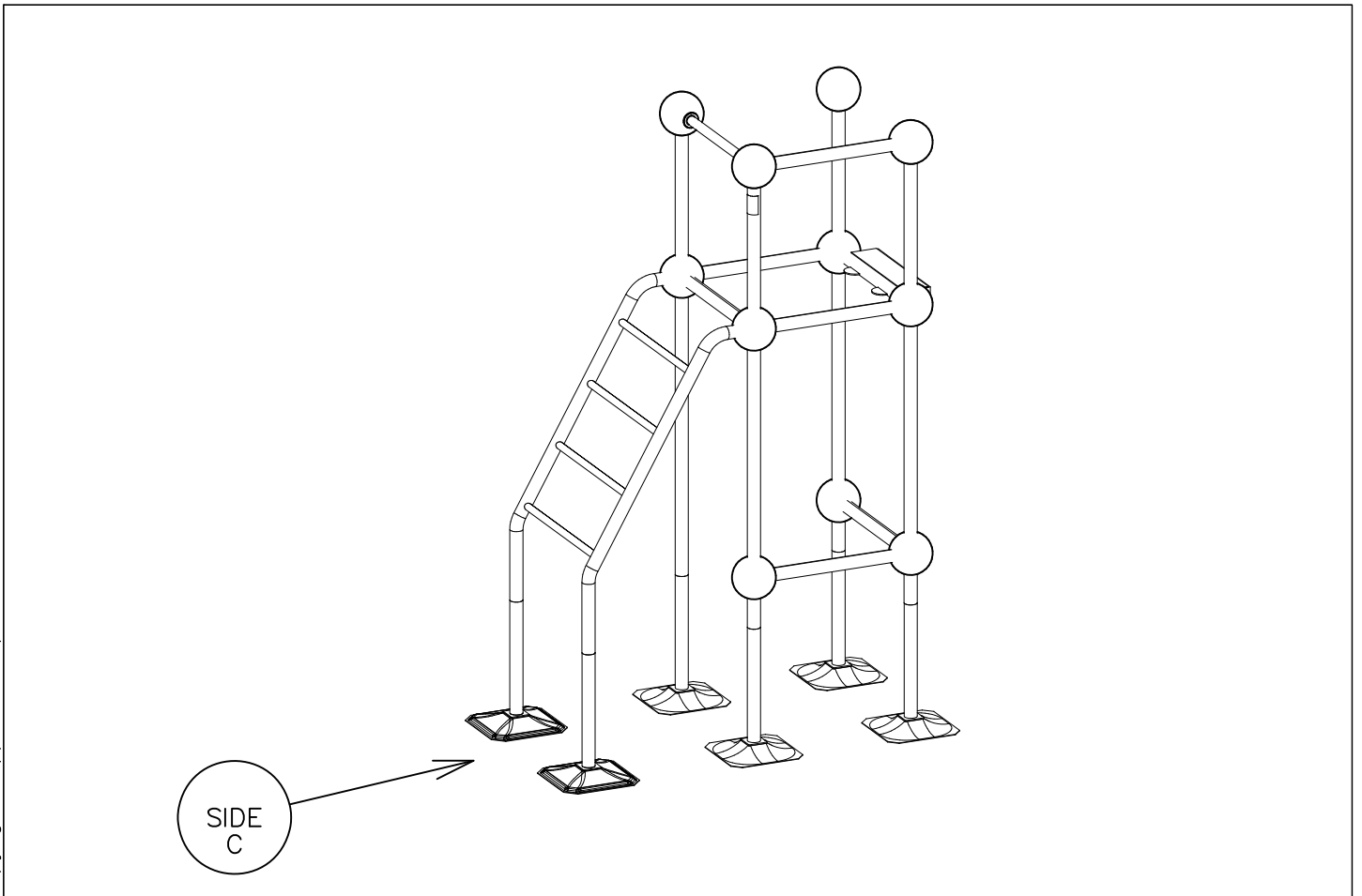
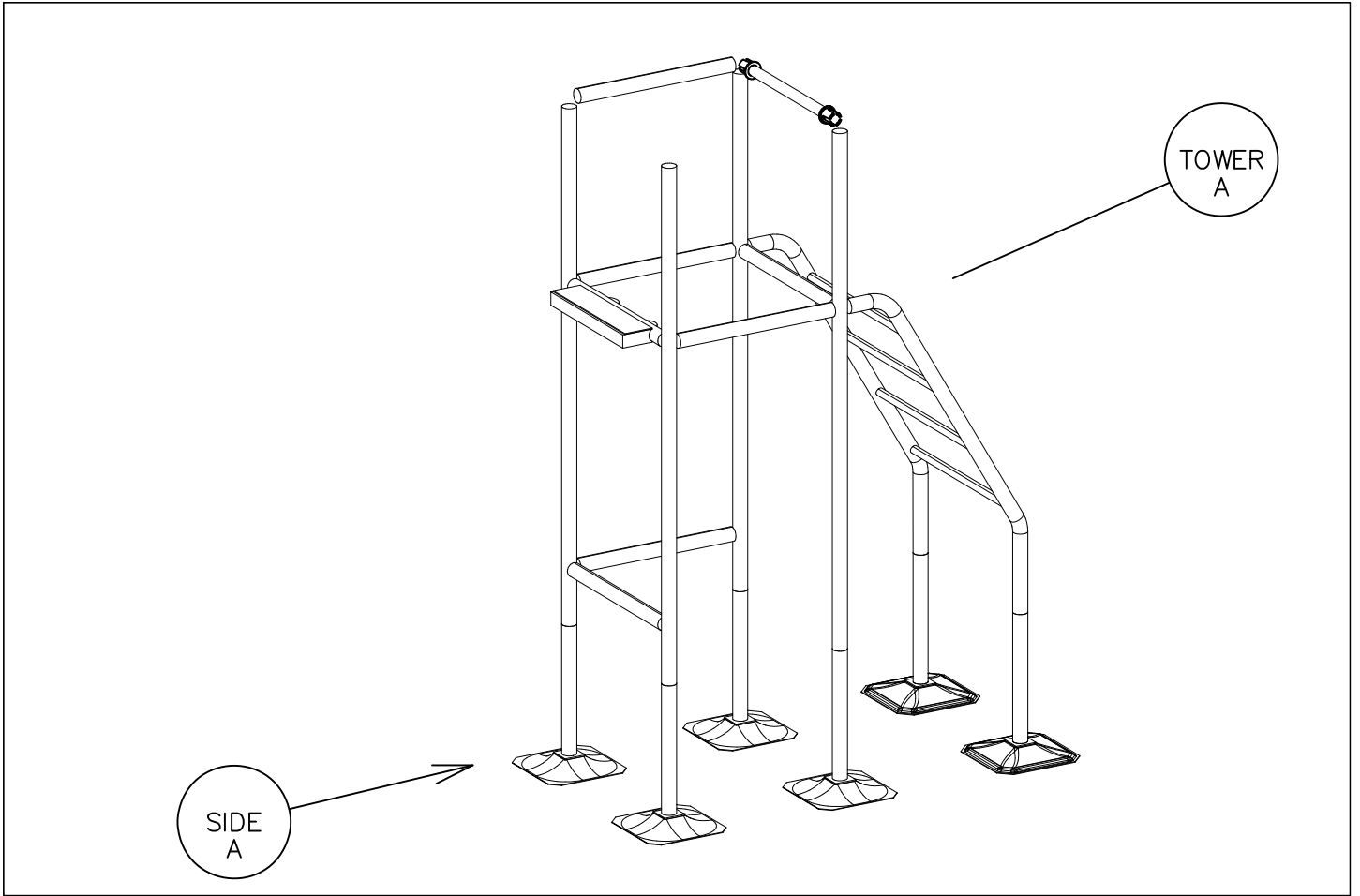


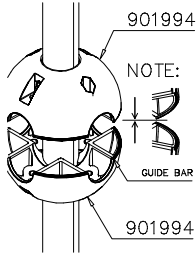
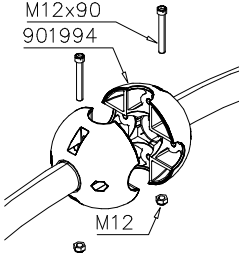
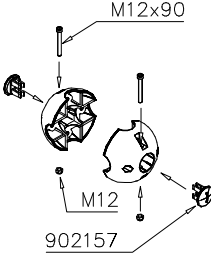
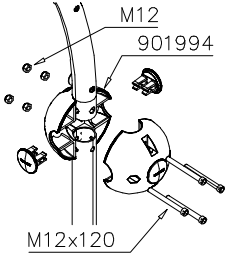
1: 40



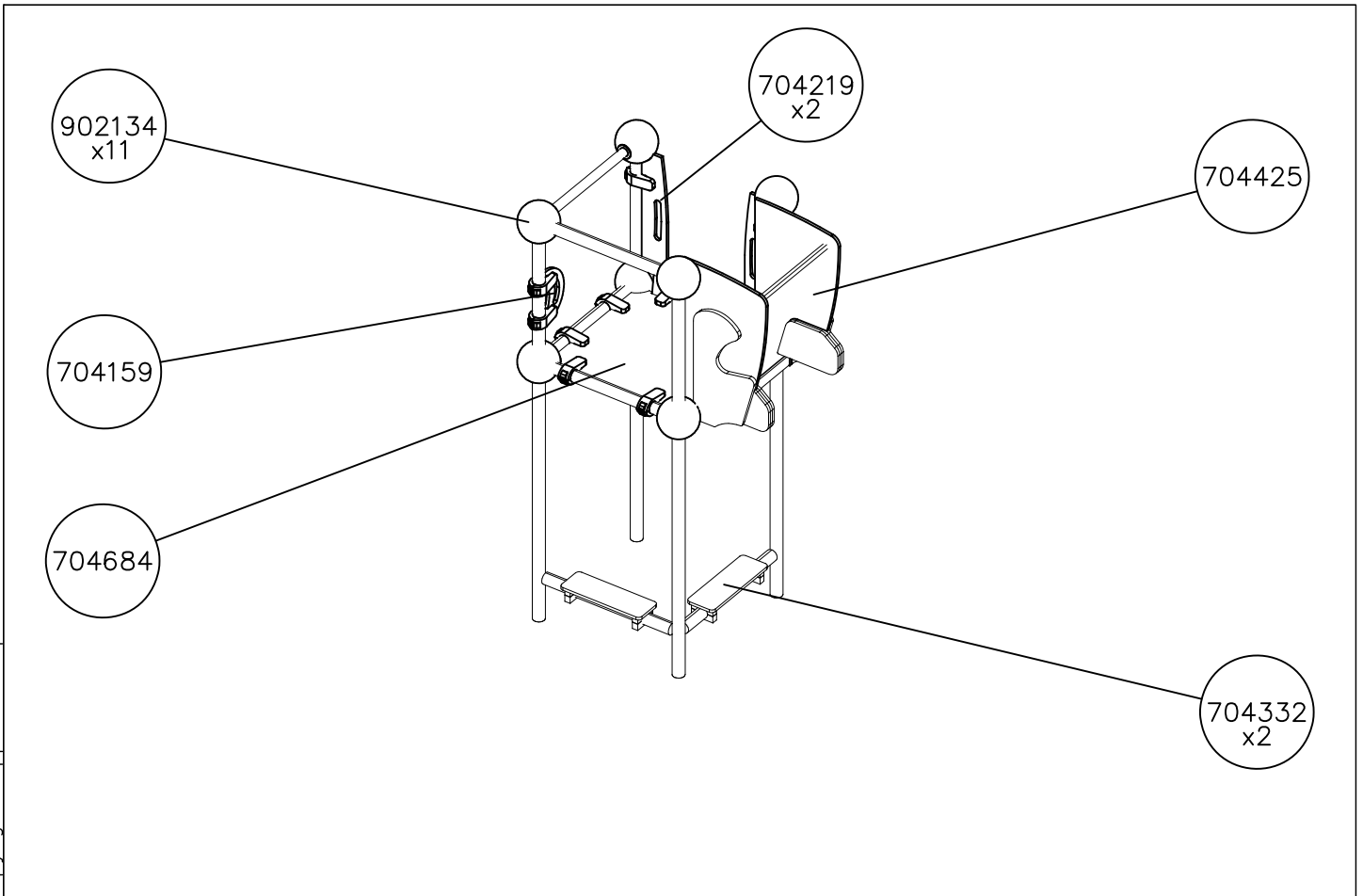
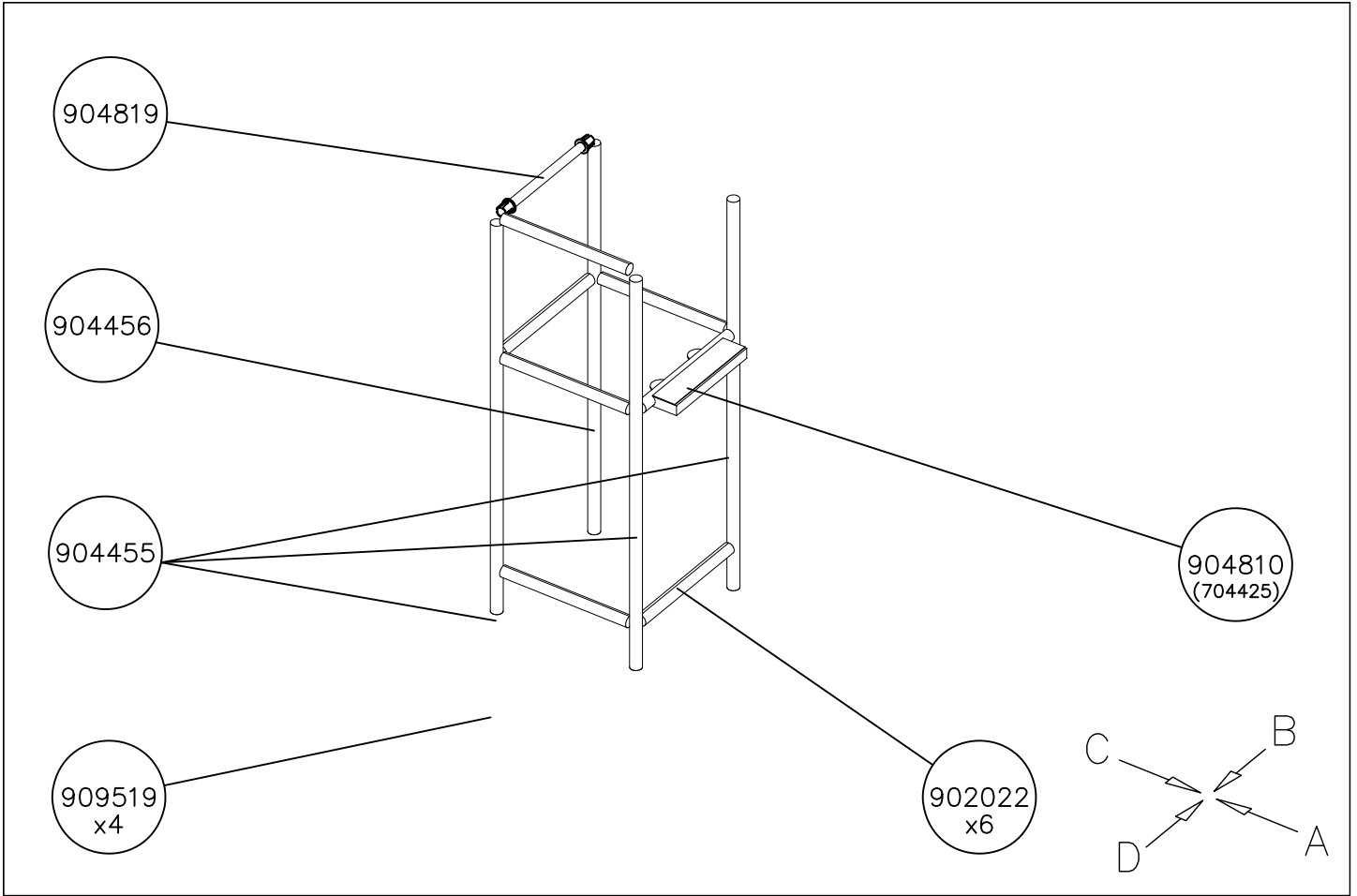
1: 40





<p>DET 1</p> 	<p>DET 2</p> 	<p>DET 3</p> 	<p>DET 4</p> 

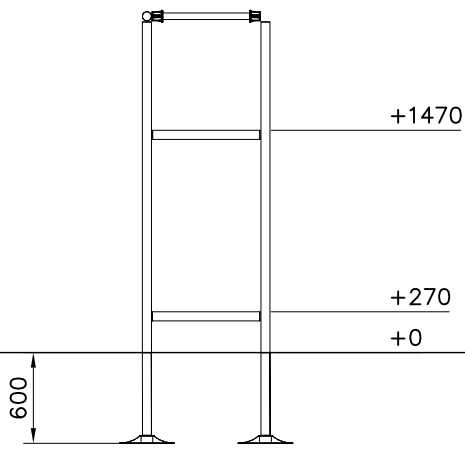




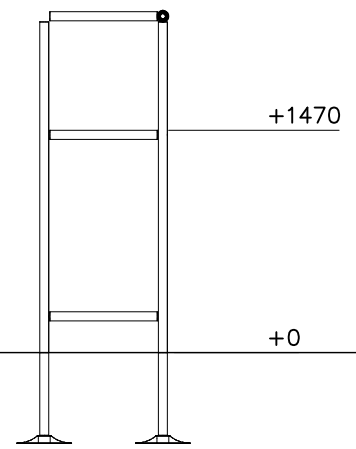
DATE: 22.2.2019

1:50

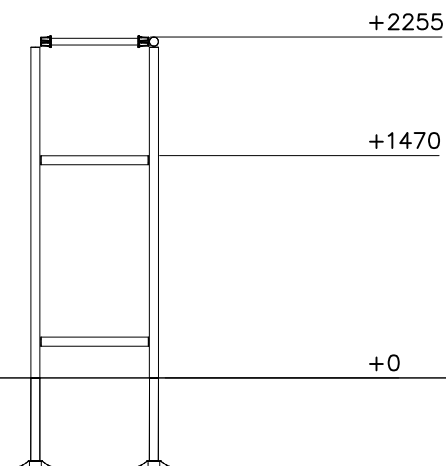
(A)



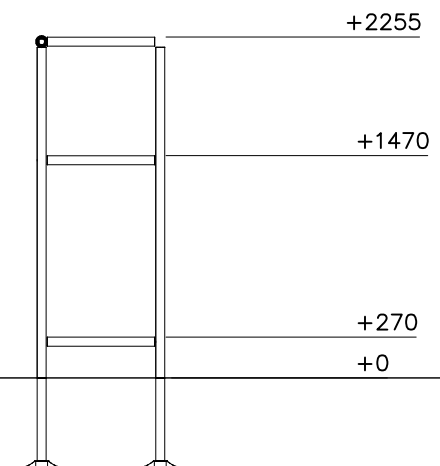
(B)

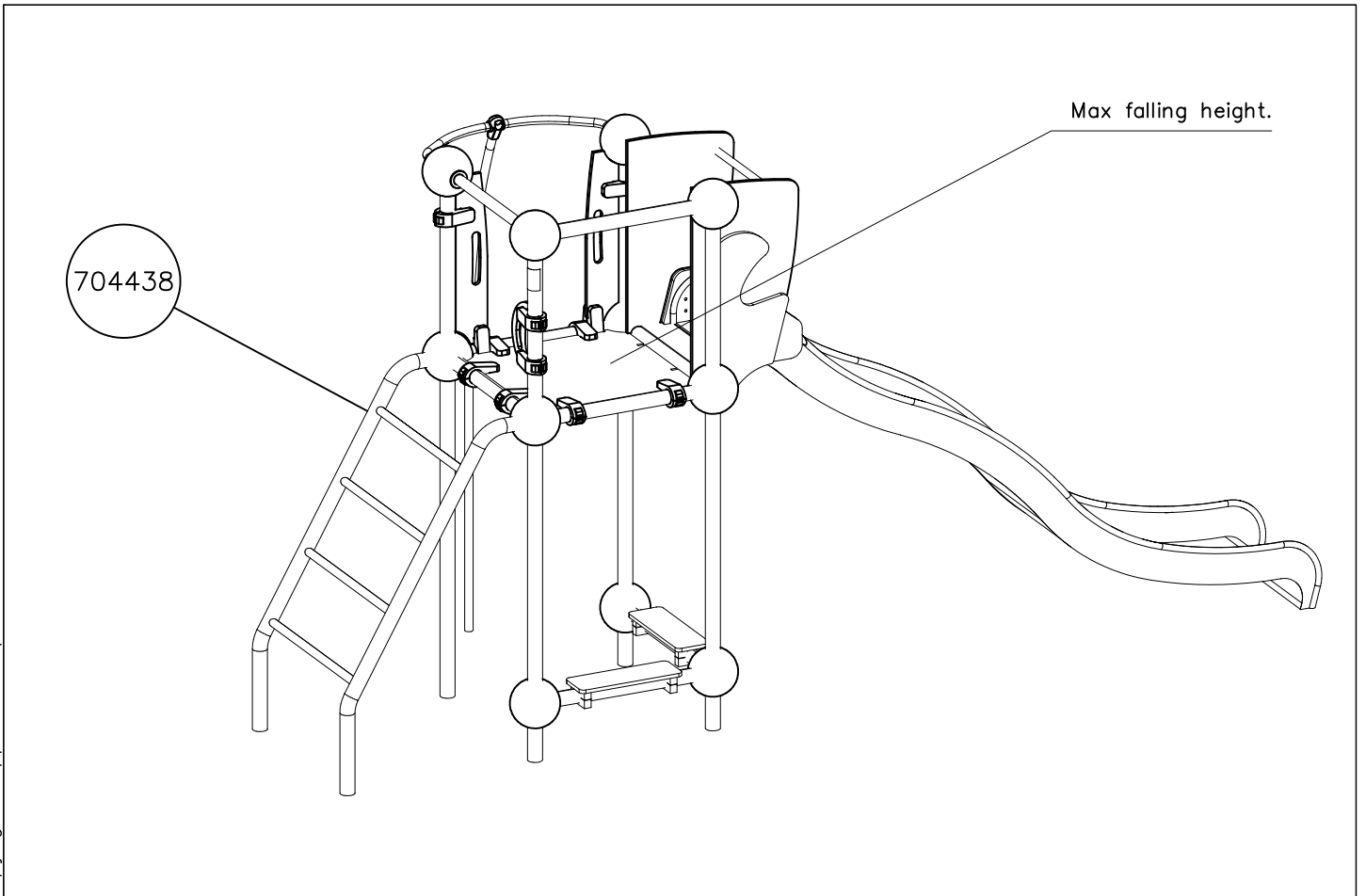
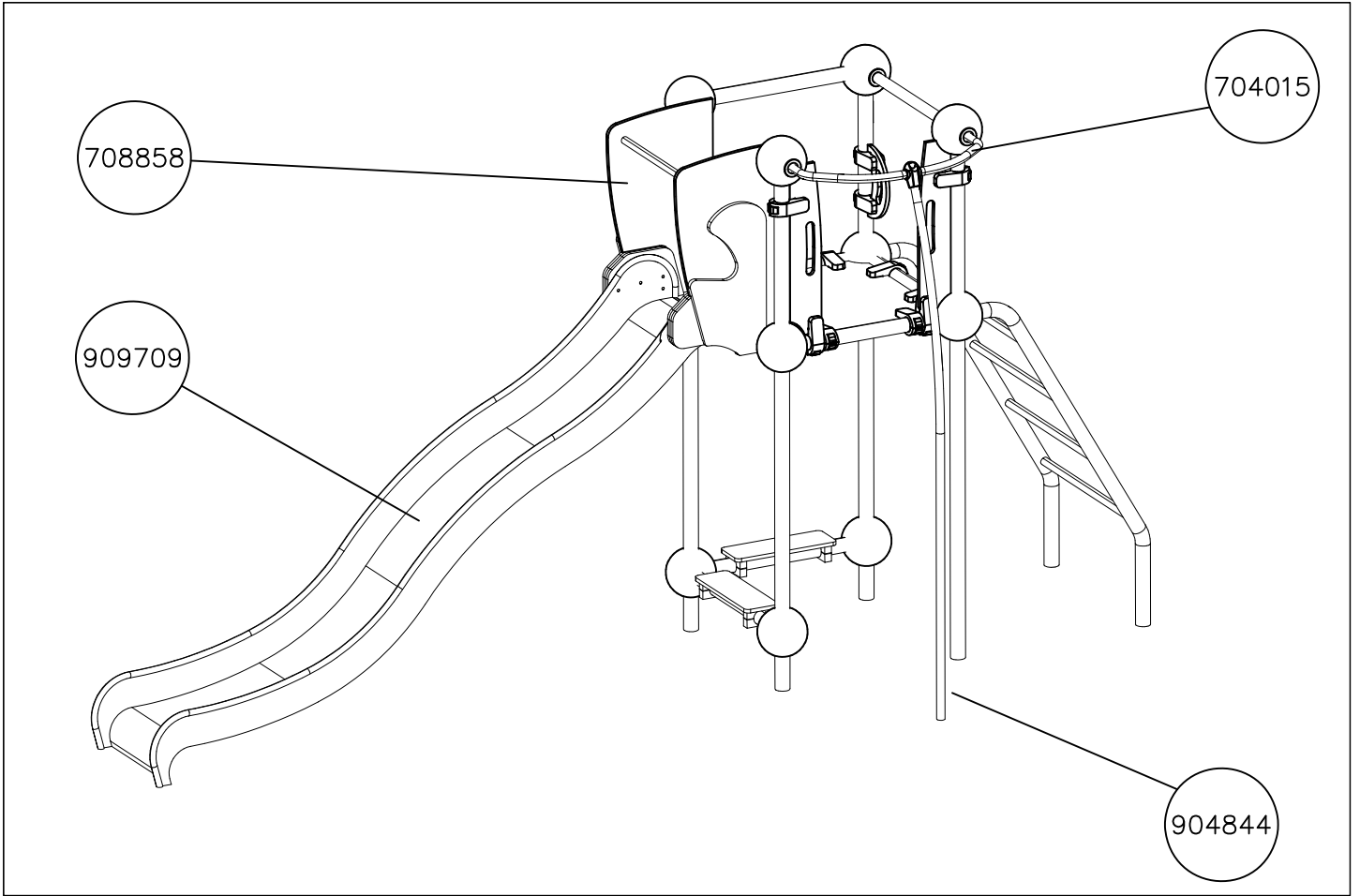


(C)



(D)





												
<p><b><math>h &lt; 600</math></b></p> <p>Without movement and therefore without Impact Area</p>	<p>Totally hard surfaces.</p> <p>Note. Lappset does <u>not recommend</u> totally hard surfaces at all.</p>	<p>E.g. concrete or asphalt</p> 										
<p><b><math>h &lt; 600</math></b></p> <p>With movement e.g. rocking</p>	<p>Materials with very limited impact attenuating properties.</p>	<p>E.g. wood</p> 										
<p><b><math>h &lt; 1000</math></b></p>	<p>Materials with significant impact attenuating properties.</p>	<p>fine gravel 0–8 mm</p>  <p>grass</p>  <p>unsorted sand</p> 										
<p><b><math>h &lt; 3000</math></b></p>	<p>Loose fill material</p> <p>E.g. sand/gravel 0,25...8 mm D60/D10&lt;3,0 Woodchips 5...30 mm bark 20...80 mm</p>	 <table data-bbox="1021 1691 1332 1792"> <tr> <td><math>\underline{S}</math></td> <td><math>\underline{h}</math></td> </tr> <tr> <td>30 cm</td> <td>&lt; 2,0 m</td> </tr> <tr> <td>40 cm</td> <td>&lt; 3,0 m</td> </tr> </table>	$\underline{S}$	$\underline{h}$	30 cm	< 2,0 m	40 cm	< 3,0 m				
$\underline{S}$	$\underline{h}$											
30 cm	< 2,0 m											
40 cm	< 3,0 m											
	<p>Syntethic granulates</p> <table data-bbox="406 1892 758 2060"> <tr> <td><math>\underline{S}</math></td> <td><math>\underline{h}</math></td> </tr> <tr> <td>40 mm</td> <td>~&gt; 1,2...1,3 m</td> </tr> <tr> <td>50 mm</td> <td>~&gt; 1,5...1,7 m</td> </tr> <tr> <td>60 mm</td> <td>~&gt; 1,8...2,0 m</td> </tr> <tr> <td>70 mm</td> <td>~&gt; 2,1...2,5 m</td> </tr> </table> <p>Note. For accurate values, see manufacturer's instructions.</p>	$\underline{S}$	$\underline{h}$	40 mm	~> 1,2...1,3 m	50 mm	~> 1,5...1,7 m	60 mm	~> 1,8...2,0 m	70 mm	~> 2,1...2,5 m	
$\underline{S}$	$\underline{h}$											
40 mm	~> 1,2...1,3 m											
50 mm	~> 1,5...1,7 m											
60 mm	~> 1,8...2,0 m											
70 mm	~> 2,1...2,5 m											

REMOVE SAFETY SURFACE/SAND/GRAVEL  
TO CHECK FOUNDATION



REMOVE SAFETY SURFACE/SAND/GRAVEL  
TO CHECK FOUNDATION



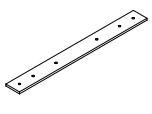
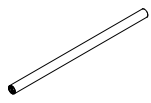
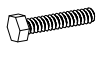
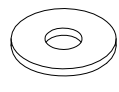
# LAPPSET

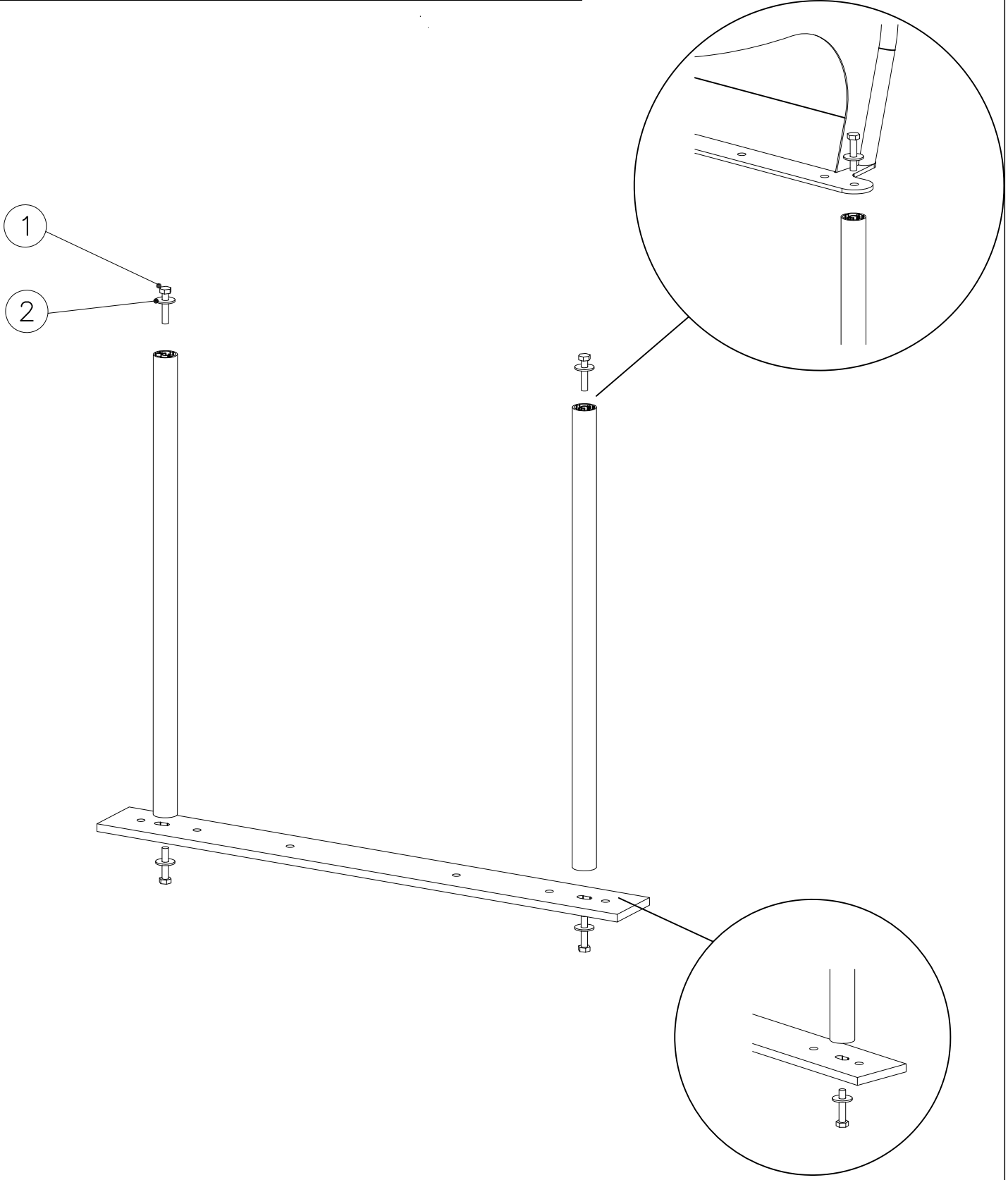
## DEEP FOUNDATION

# SLIDE METAL

DATE: 11.2.2019

1(1)

○ 707133	PCS	○ 901868	PCS	① 909210	PCS	② 905051	PCS
	1		2		4		4
							
10x80x745		Ø30x598		M8x40		Ø24/8.4	



# LAPPSET

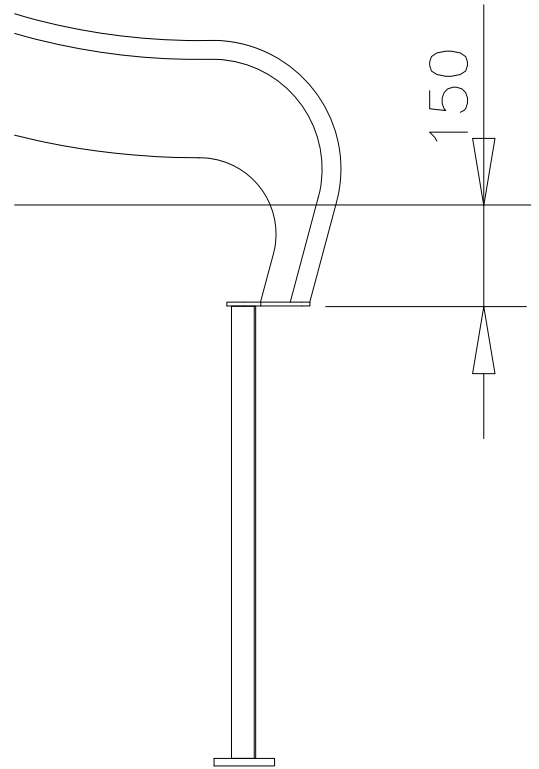
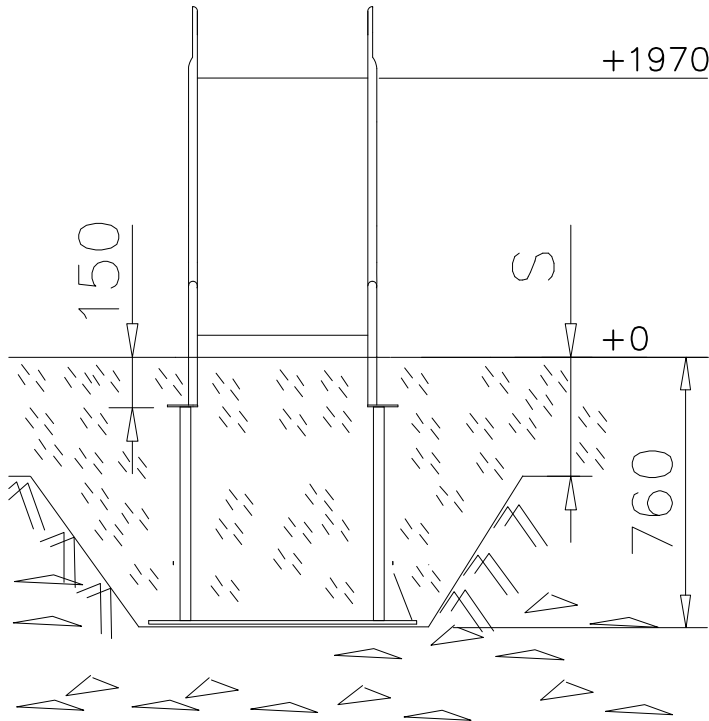
## DEEP FOUNDATION

# SLIDE METAL

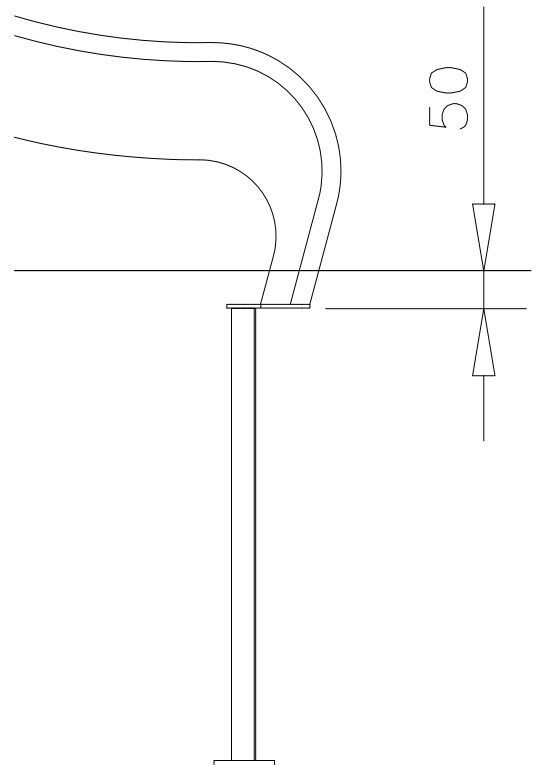
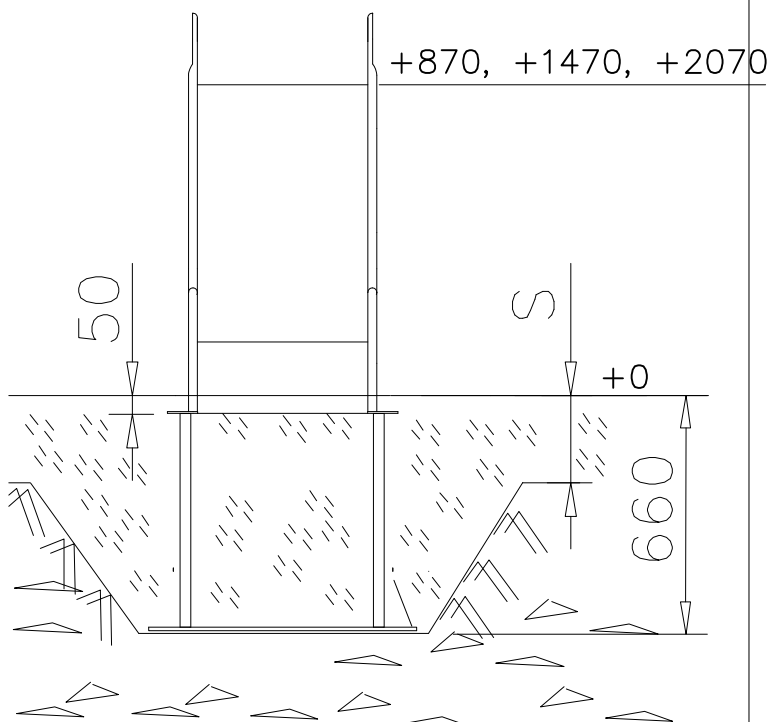
DATE: 24.11.2020

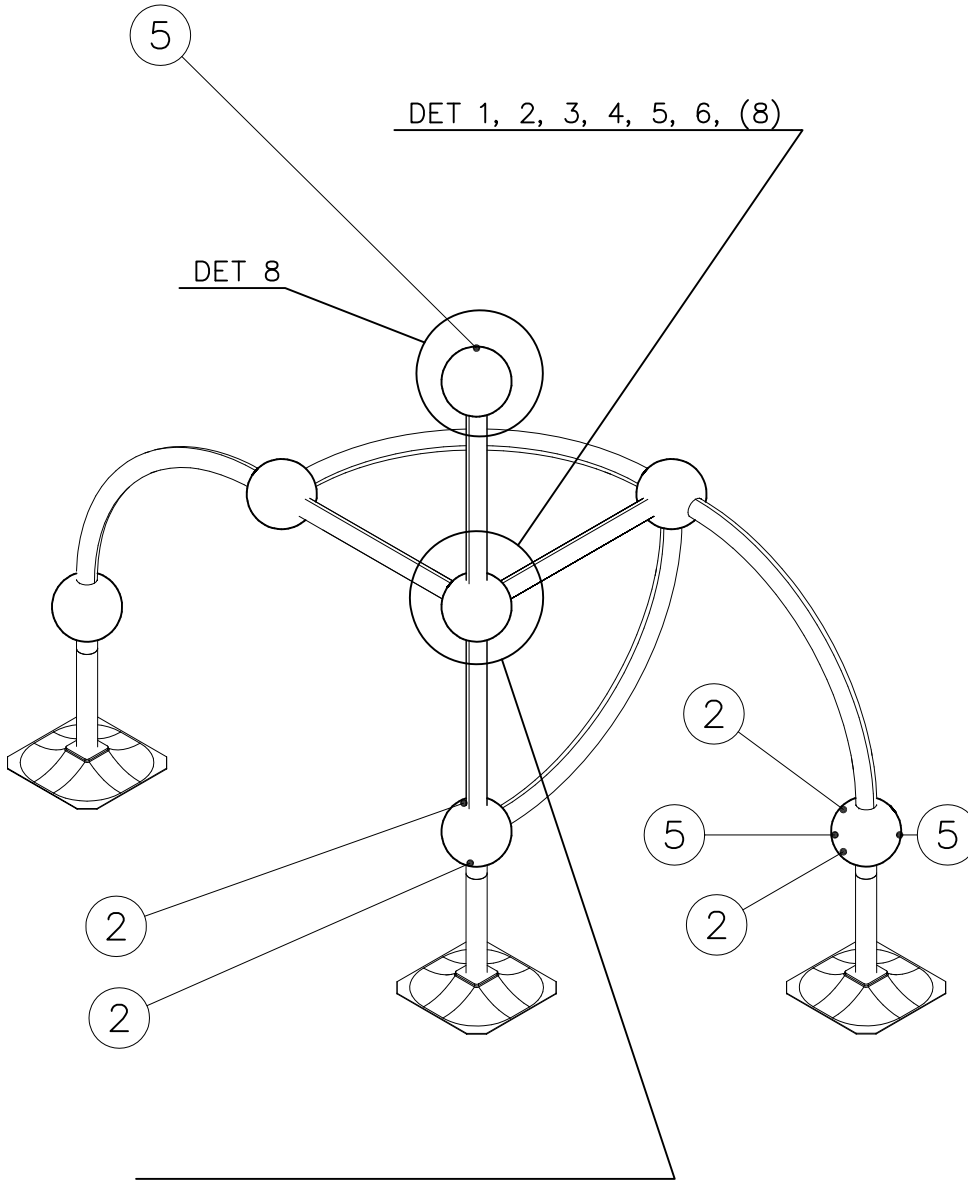
1(1)

Floor level +1970

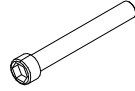
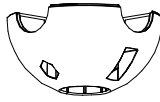
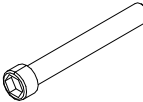



Floor level +870,  
+1470, +2070



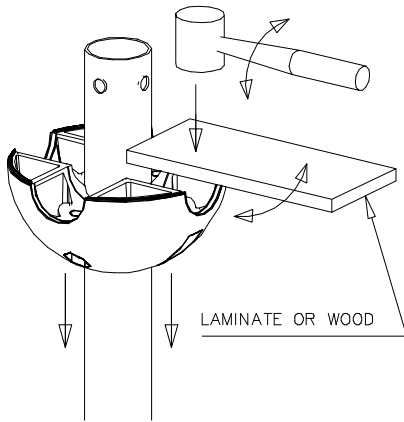


DO NOT TIGHTEN THE JOINTS UNTIL THE STRUCTURE IS COMPLETE.

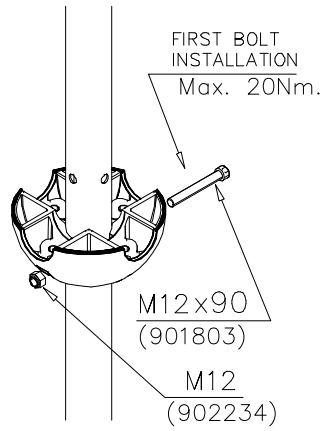
① 901803	PCS	② 901994	PCS
	2		2
M12x90		Ø190	
③ 902096	PCS	④ 902234	PCS
	4		6
M12x120		M12	
	PCS		PCS
	PCS		PCS
	PCS		PCS
	PCS		PCS
	PCS		PCS
	PCS		PCS



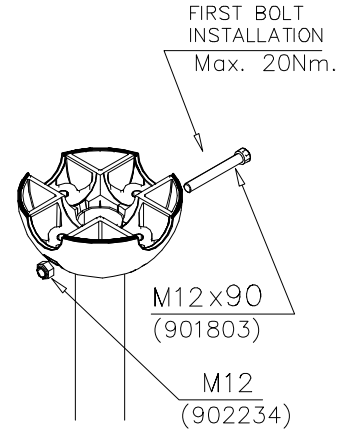
DET 1



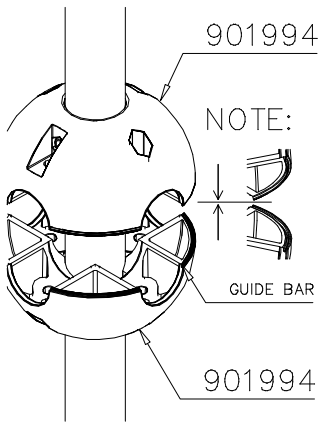
DET 2



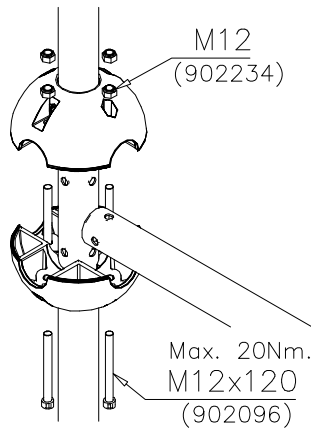
DET 3



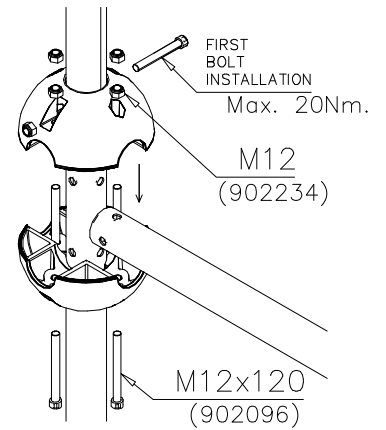
DET 4



DET 5

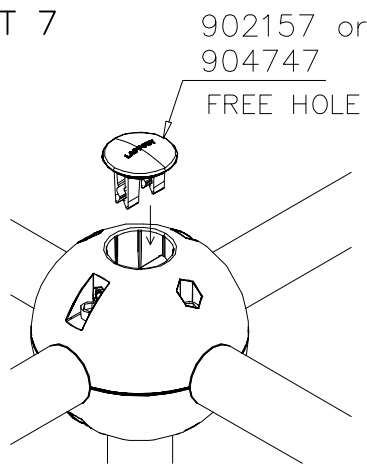


DET 6



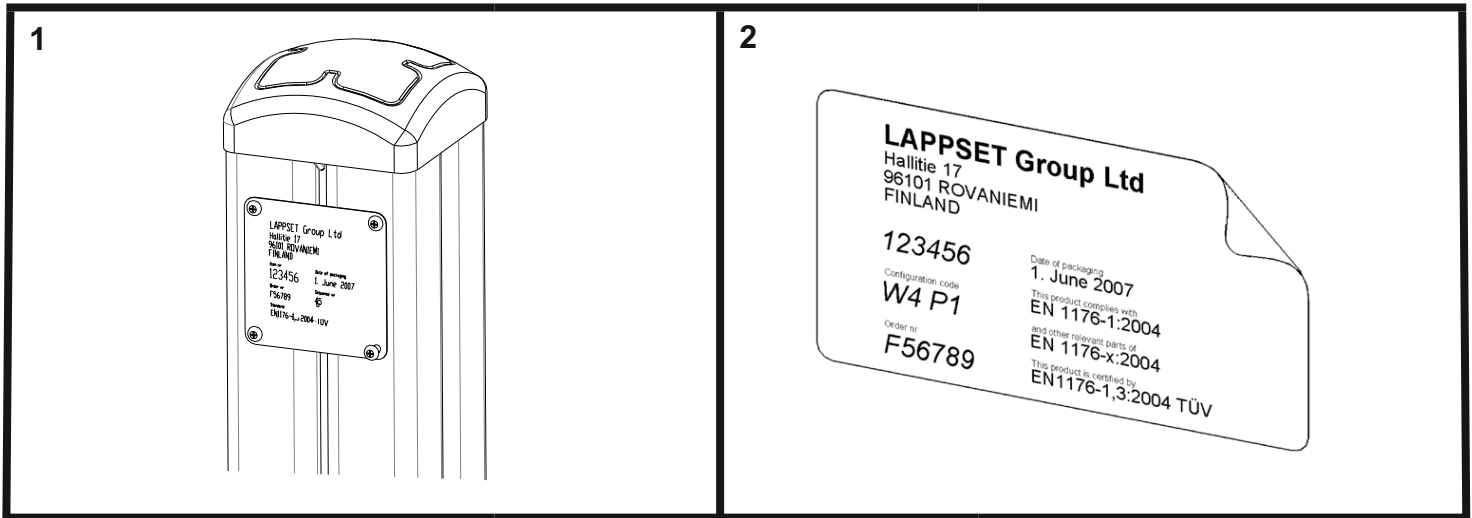
REMEMBER  
FINAL  
TIGHTENING

DET 7



DET 8





**Tuotekyltti tulee tuotteen mukana yhdellä seuraavista tavoista:**

**1) Metallinen tuotekyltti ja kiinnitysruuvit**

- Kiinnitä tuotekyltti ruuveilla tolppaan noin 2 metrin korkeuteen kuvan 2 mukaisesti.

**2) Tuotekyltitarra**

- Puhdista maalattu metalli- tai vaneripinta pölystä ja kosteudesta. Liimaa tarra kuvan 3 mukaisesti.
- Huom. Älä kiinnitä tarraa karheapintaiseen laminaattiin tai maalattuun puuhun.

**Vår produktmärkning levereras på ett av följande sätt:**

**1) Produktskylt i metall**

- Fäst skylten med de medföljande skruvarna

**2) Självhäftande produktetikett**

- Rengördenpulverlackerademetallytanellerlaminatytansåattdenblirfrifrånsmutsochfukt.Fästetikettenenligtfig.3.
- Obs! Fäst ej etiketten på detaljer med skrovlig yta eller på målat trä.

**Product label is delivered by one of following ways:**

**1) Metal product label and screws**

- Fasten the label with screws.

**2) Label sticker**

- Cleanthepaintedmetalorplywoodsurfacefromdirtandmoisture.Fastenthestickerasshowninthefigure3.
- Note. Do not attach the sticker to rough surfaced laminate or painted wood.

**La plaque d'informations produit est livrée sous l'une de ces 3 formes :**

**1) Plaque métallique et vis**

- Fixez la plaque à l'aide des vis.

**2) Etiquette autocollante**

- Avant de coller l'étiquette, nettoyez le composant métallique peint ou la plaque de contreplaqué, de toute saleté. La surface doit être sèche (voir image 3).
- Attention, ne pas coller l'étiquette sur une surface lamellé-collée irrégulière ou sur du bois peint.

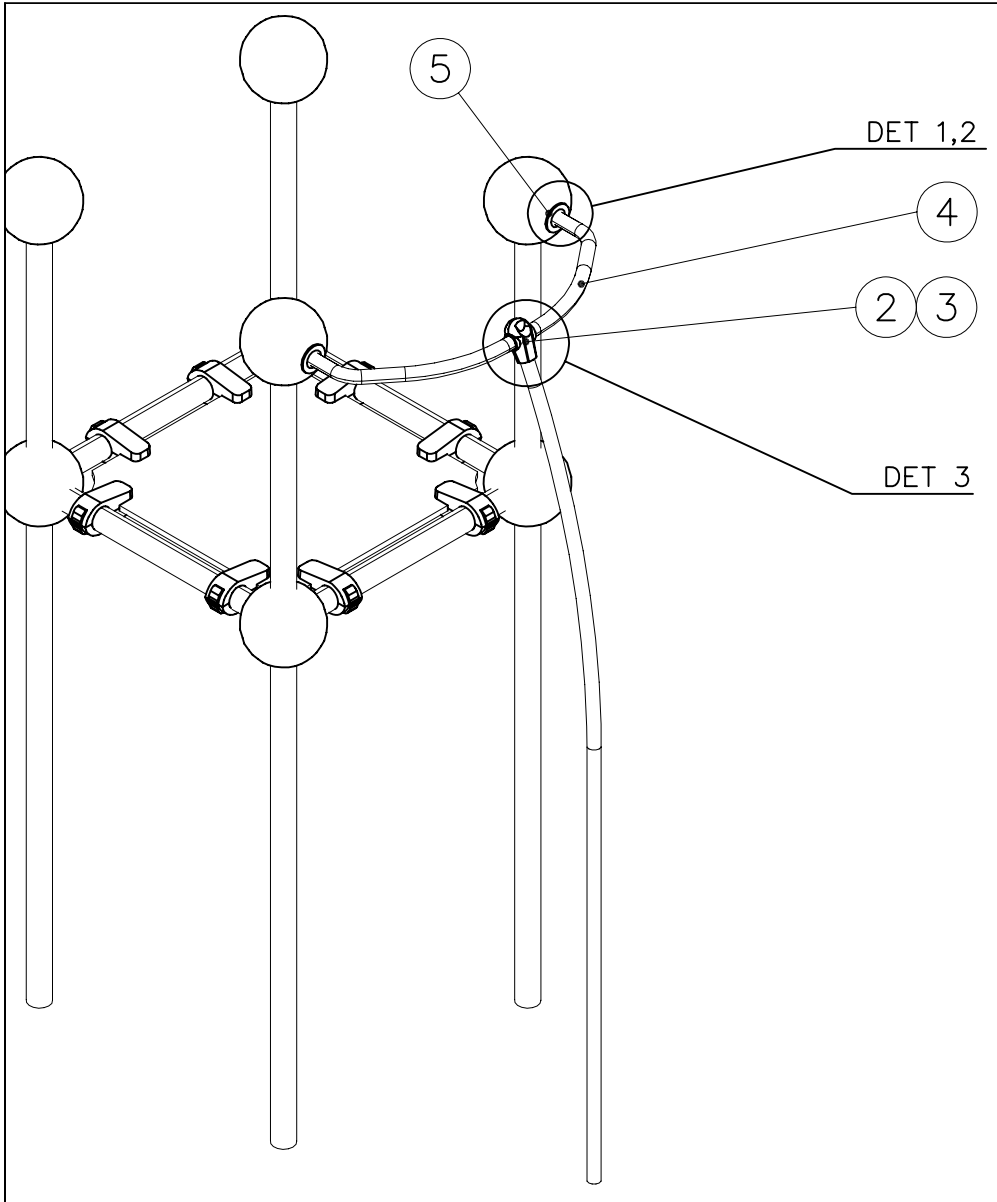
**Die Auslieferung des Produktaufklebers erfolgt auf eine dieser Arten:**

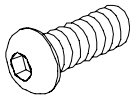
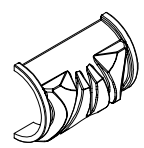

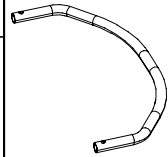
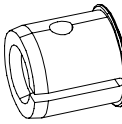
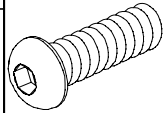
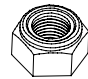
**1) Produkt-Schild aus Metall incl. Schrauben**

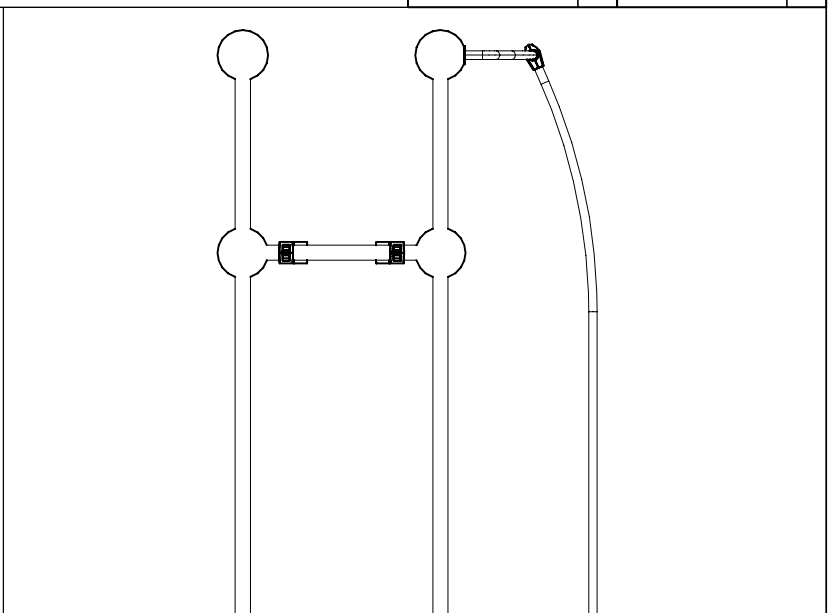
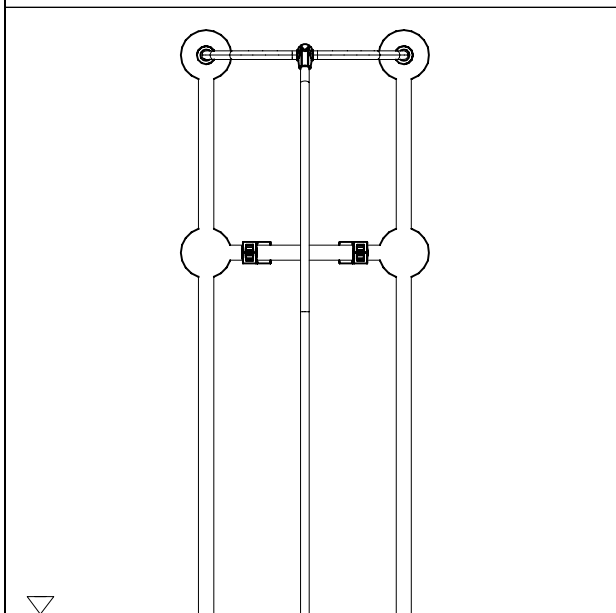
- Die Befestigung des Schildes erfolgt mittels der Schrauben.

**2) Aufkleber**

- EntfernenSiezunächstSchmutzundFeuchtigkeitvomlackiertenMetallbzw.vonderHolzoberflächeundbringenSiedenAufkleber wie im Bild oben rechts beschrieben auf den gesäuberten Untergrund auf.
- Beachten Sie: Bringen Sie den Aufkleber nicht auf raues laminiertes oder lackiertes Holz an.



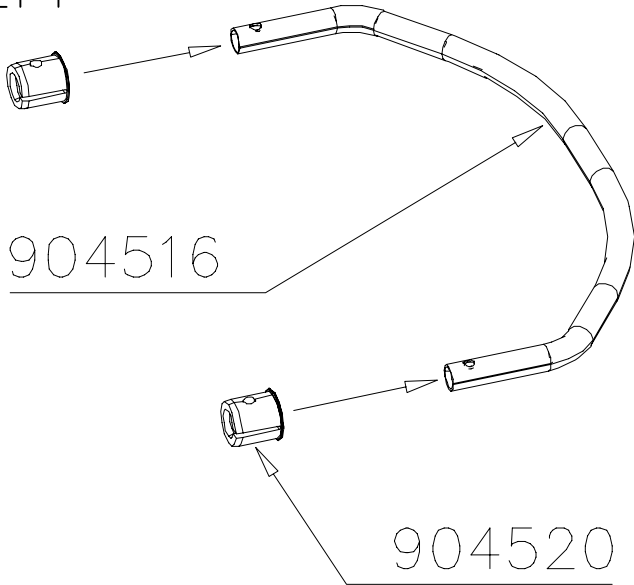
① 900342	PCS	② 901900	PCS
	2		2
M8x16		20.5x36.2x56	
③ 901902	PCS	④ 904516	PCS
	2		1
30.7x60.9x100		Ø33.7x2.6x1157	
⑤ 904520	PCS	⑥ 909850	PCS
	2		1
60-33,7		M8x25	
⑦ 980150	PCS		PCS
	1		
M8			
	PCS		PCS



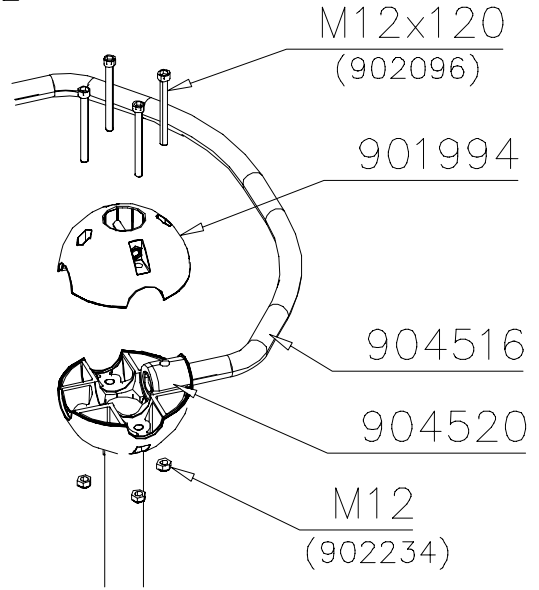
392  
784

605

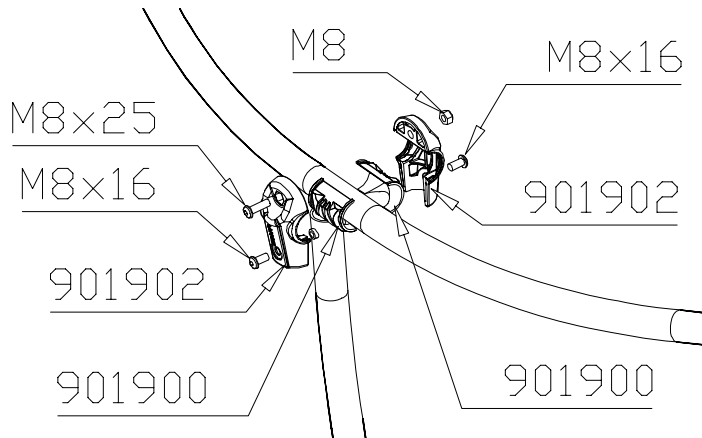
DET 1

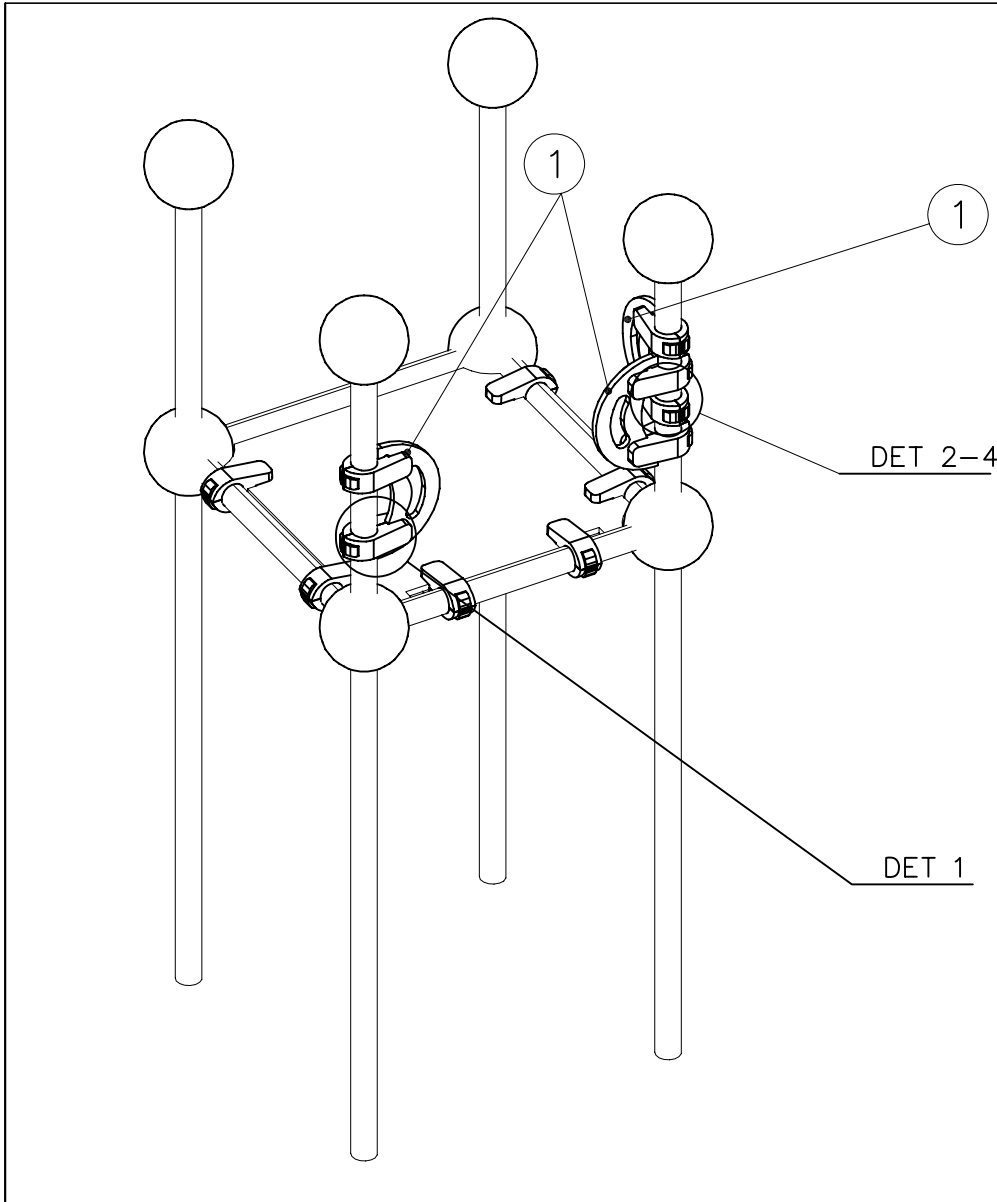


DET 2

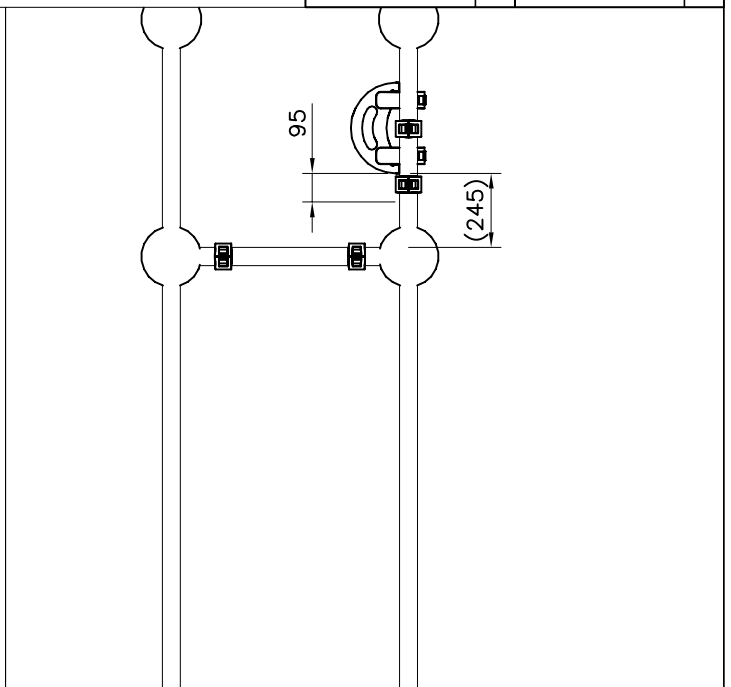
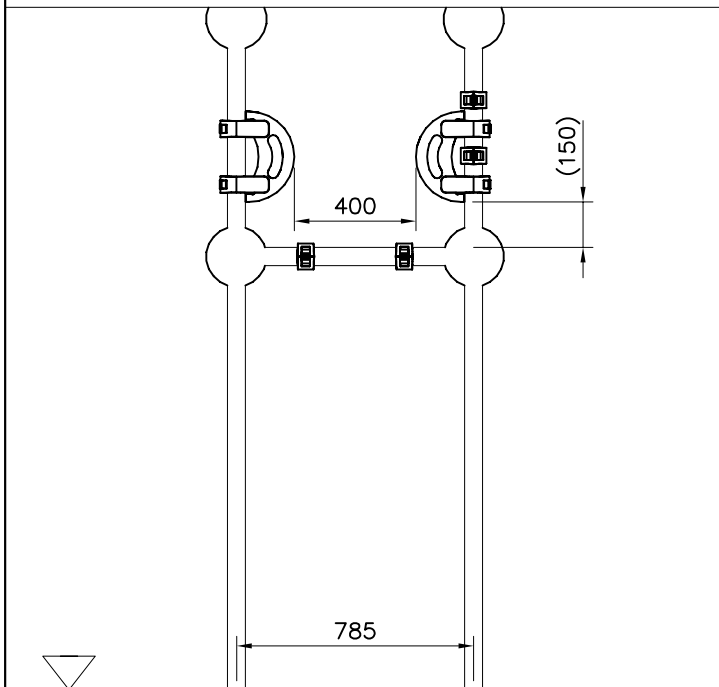


DET 3

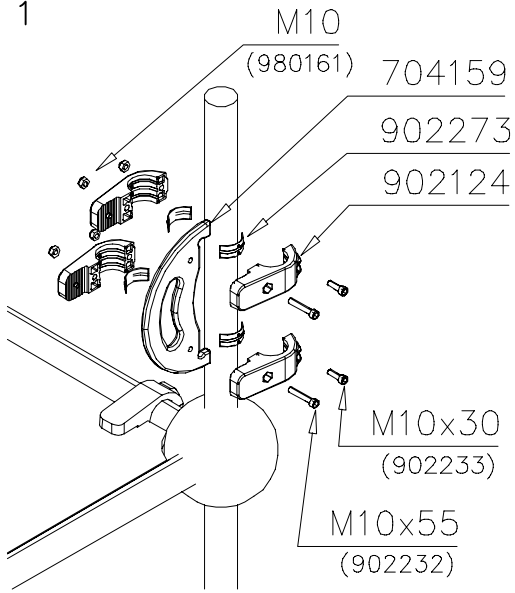




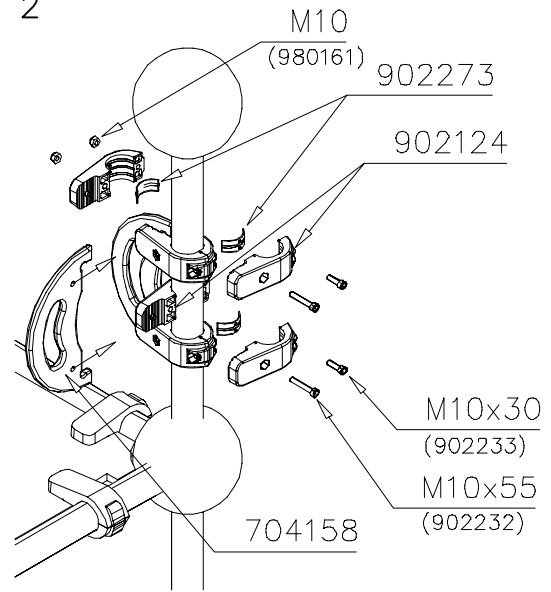
① 704158	PCS	② 902124	PCS
	1		4
		150x50x50	
③ 902232	PCS	④ 902233	PCS
	2		2
M10x55		M10x30	
⑤ 902273	PCS	⑥ 980161	PCS
	4		4
		M10	
	PCS		PCS
	PCS		PCS



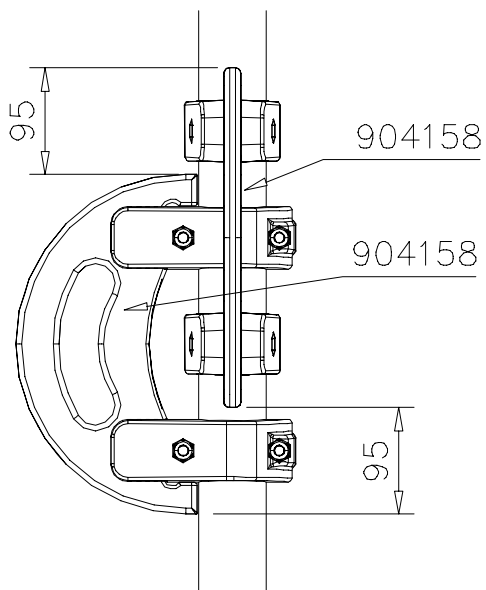
DET 1



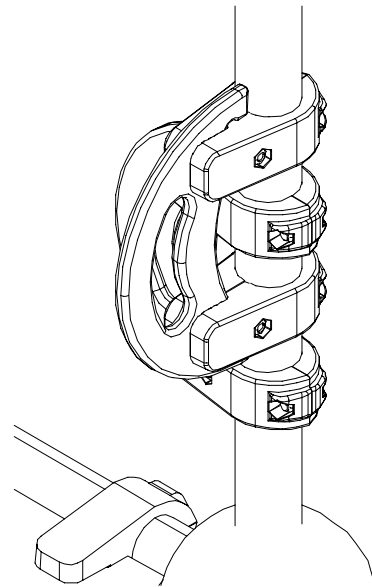
DET 2

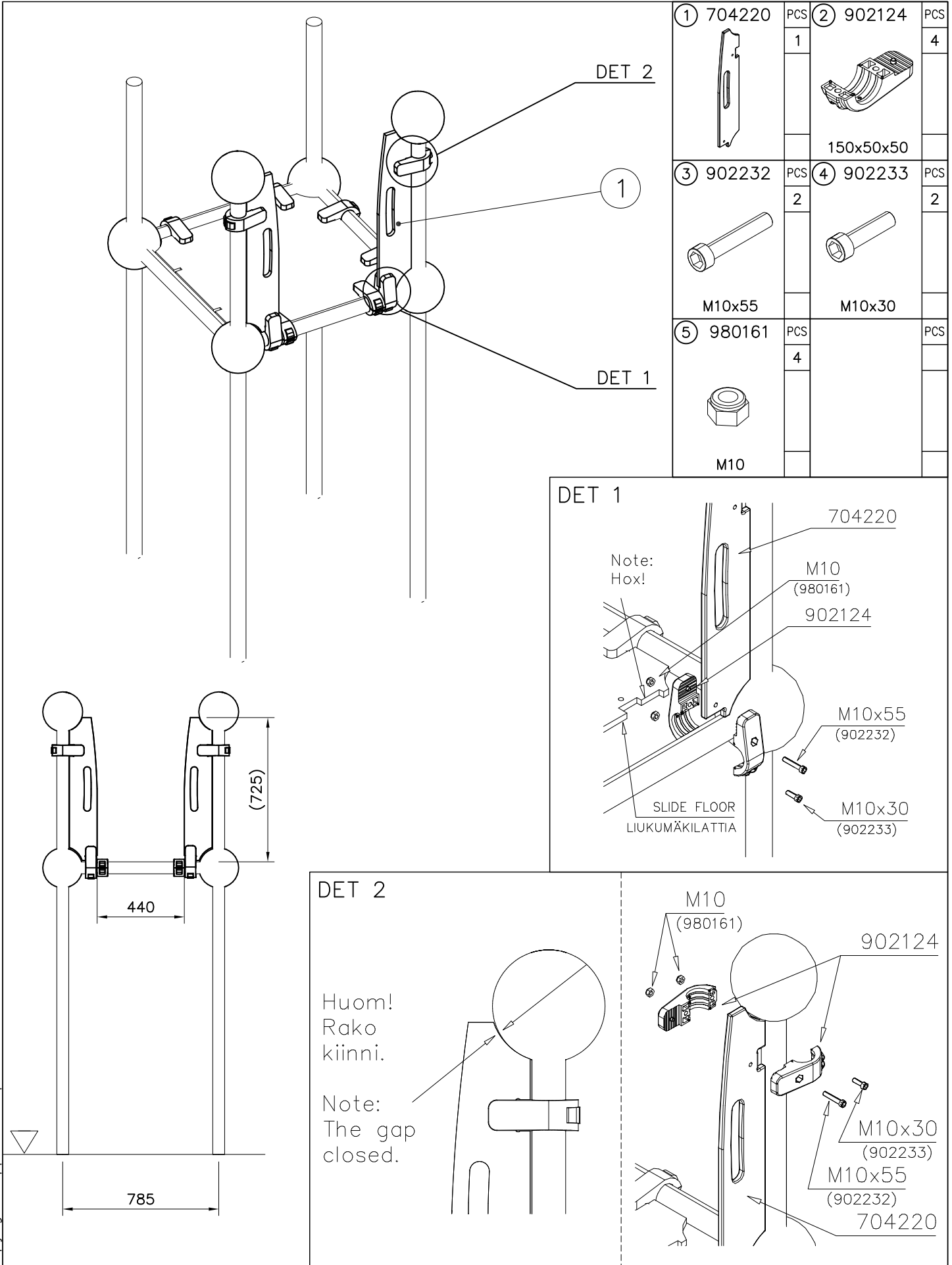


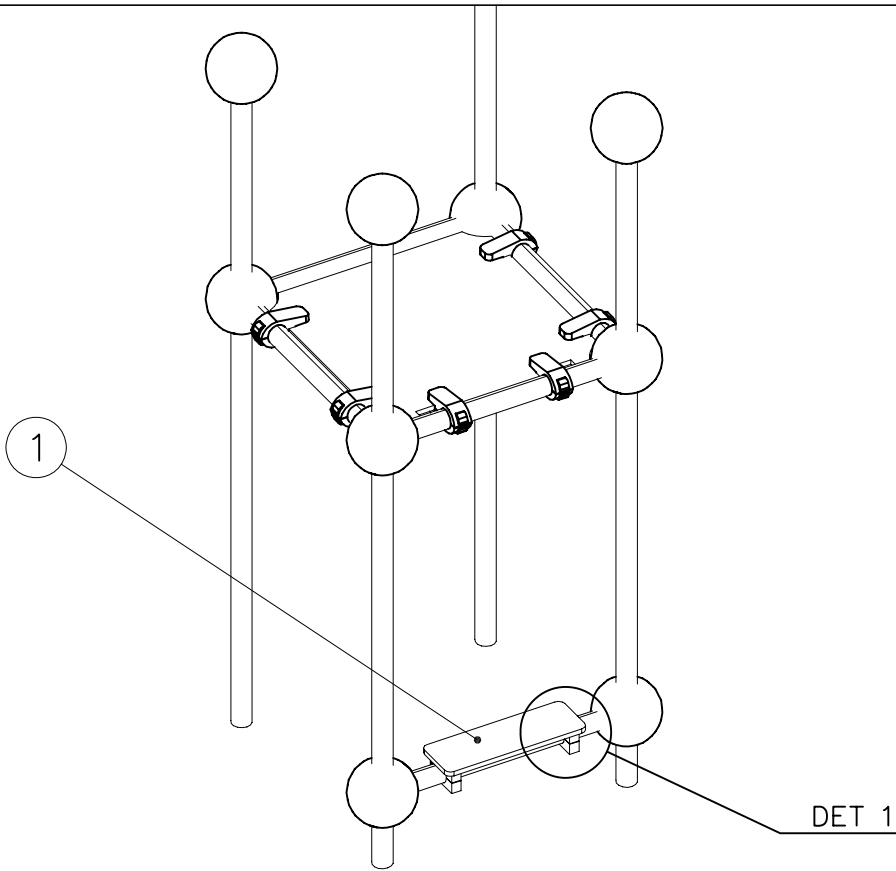
DET 3



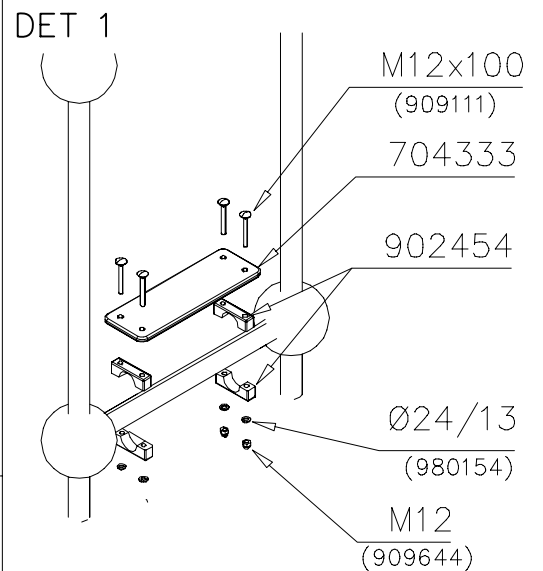
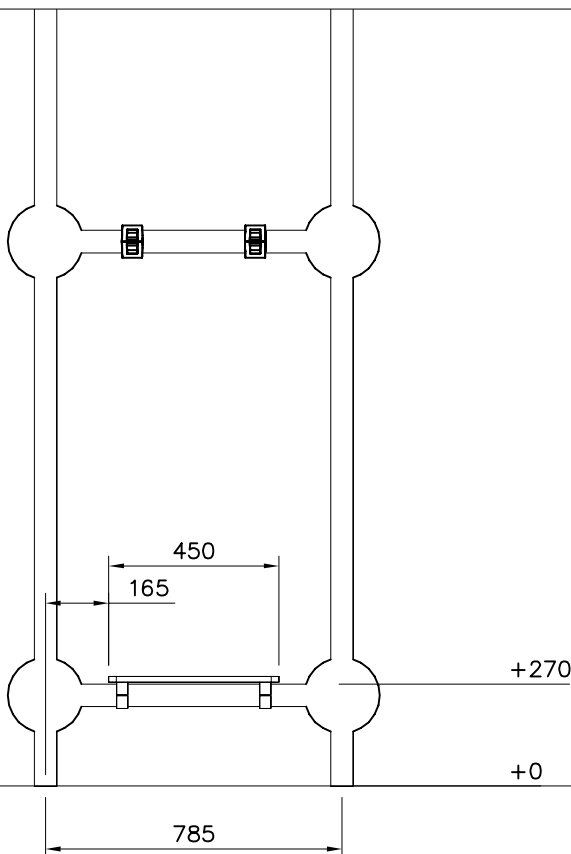
DET 4



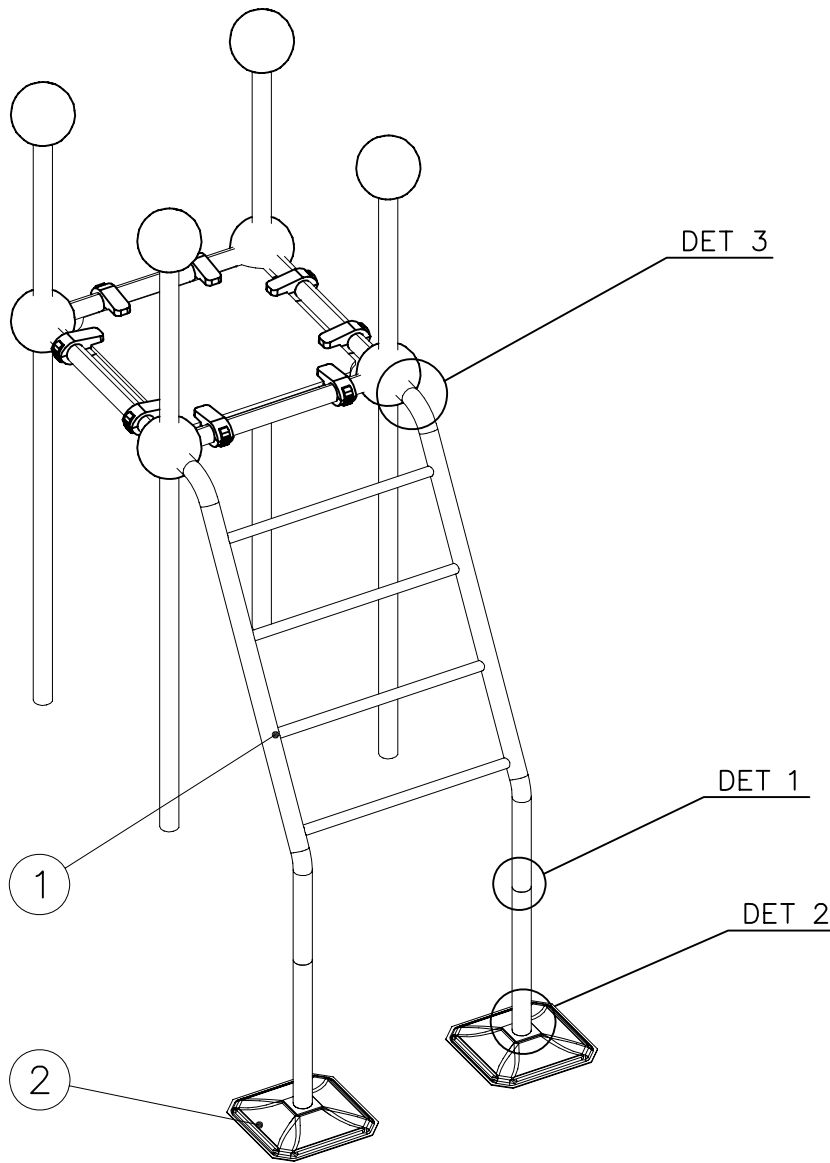



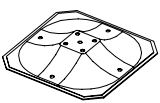
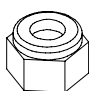
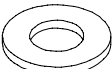
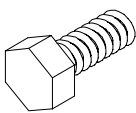


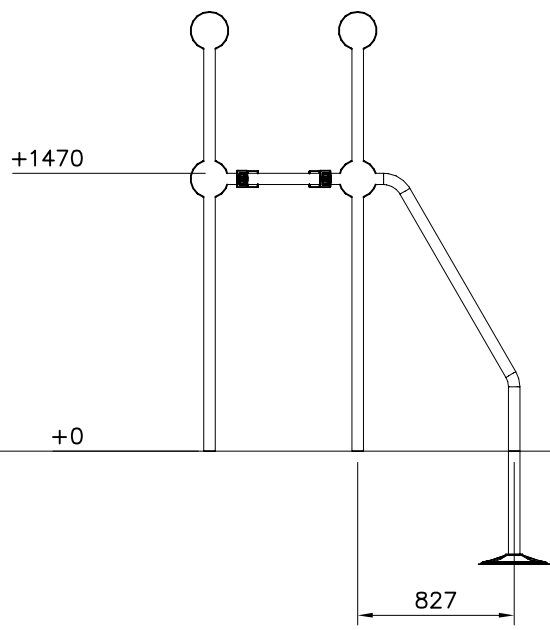
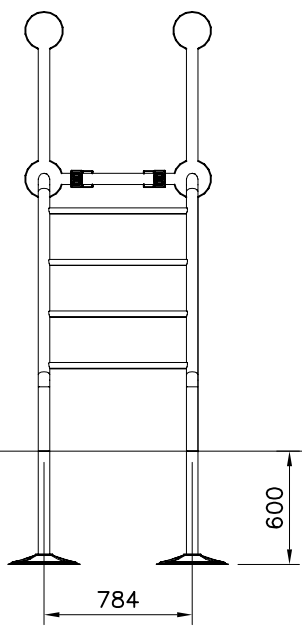
① 704333	PCS	② 902454	PCS
	1		4
③ 909111	PCS	④ 909644	PCS
	4		4
M12x100		M12	
⑤ 980154	PCS		PCS
	4		
Ø24/13			
	PCS		PCS
	PCS		PCS



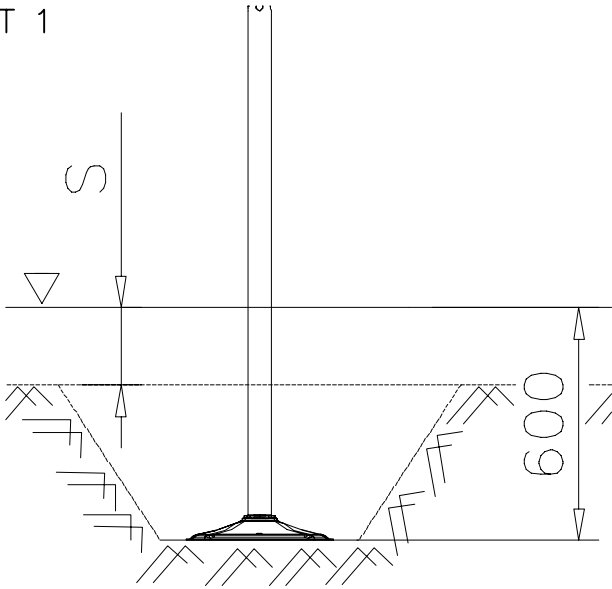




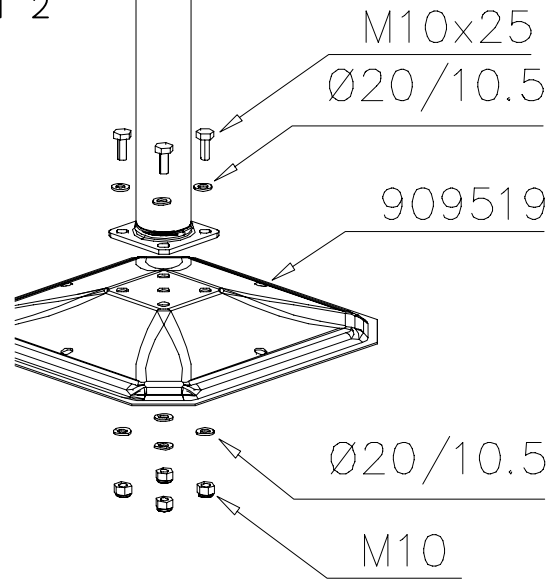
① 904493	PCS	② 909519	PCS
	1		2
		50x380x380	
③ 909637	PCS	④ 909638	PCS
	8		16
M10		Ø20/10.5	
⑤ 909639	PCS		PCS
	8		
M10x25			
	PCS		PCS
	PCS		PCS



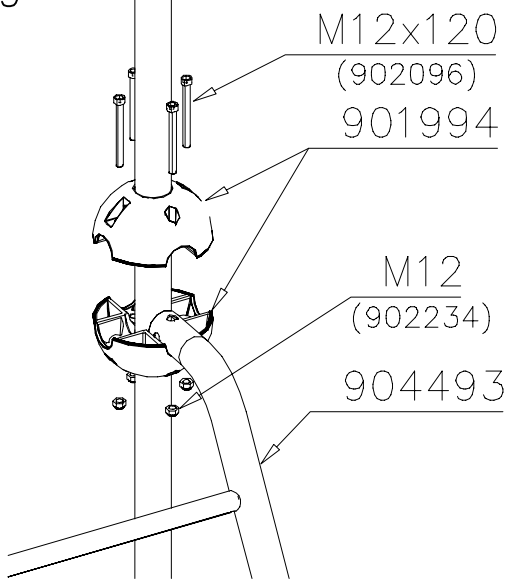
DET 1



DET 2



DET 3

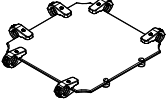
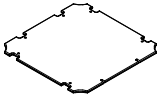
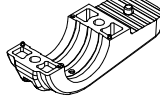
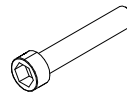
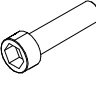
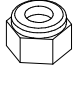
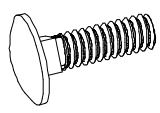
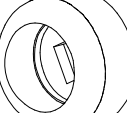
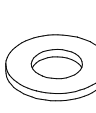
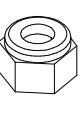
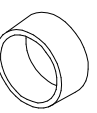
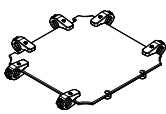
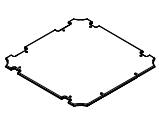
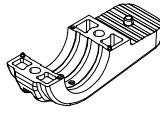
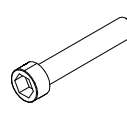
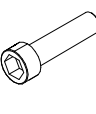
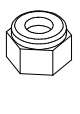
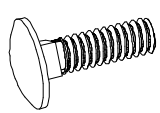

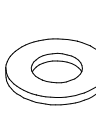
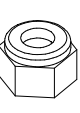
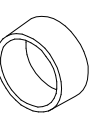
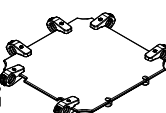
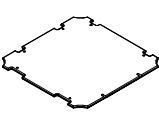
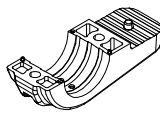
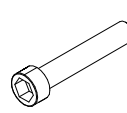
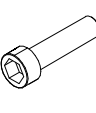
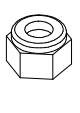
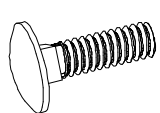


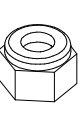



# LAPPSET® FLOOR (SLIDE)

# CLOXX

DATE: 3.10.2013

1(3)

○ 704432 	○ 704038 	PCS 1	○ 902124  150x50x50	PCS 12	○ 902232  M10x55	PCS 6	○ 902233  M10x30	PCS 6	○ 980161  M10	PCS 12		PCS
		PCS	○ 909109  M12x40	PCS 2	○ 905090  Ø45	PCS 2	○ 980154  Ø24/13	PCS 2	○ 909248  M12	PCS 2	○ 905115  Ø32	PCS 2
		PCS		PCS		PCS		PCS		PCS		PCS
○ 704447 	○ 704446 	PCS 1	○ 902124  150x50x50	PCS 12	○ 902232  M10x55	PCS 6	○ 902233  M10x30	PCS 6	○ 980161  M10	PCS 12		PCS
		PCS	○ 909109  M12x40	PCS 2	○ 905090  Ø45	PCS 2	○ 980154  Ø24/13	PCS 2	○ 909248  M12	PCS 2	○ 905115  Ø32	PCS 2
		PCS		PCS		PCS		PCS		PCS		PCS
○ 704666 	○ 704667 	PCS 1	○ 902124  150x50x50	PCS 12	○ 902232  M10x55	PCS 6	○ 902233  M10x30	PCS 6	○ 980161  M10	PCS 12		PCS
		PCS	○ 909109  M12x40	PCS 2	○ 905090  Ø45	PCS 2	○ 980154  Ø24/13	PCS 2	○ 909248  M12	PCS 2	○ 905115  Ø32	PCS 2
		PCS		PCS		PCS		PCS		PCS		PCS

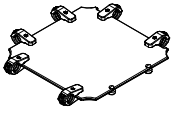
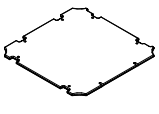
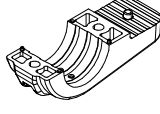
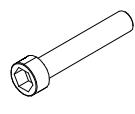
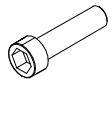
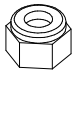
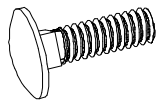
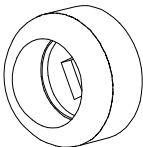
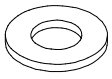
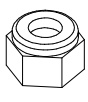
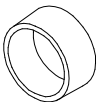
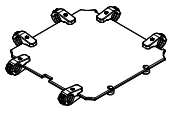
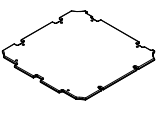
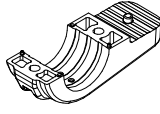
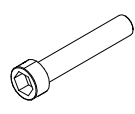
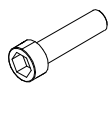
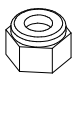
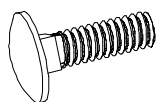
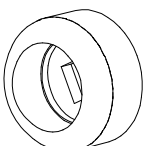
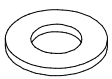
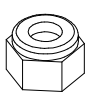
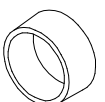
# LAPPSET®

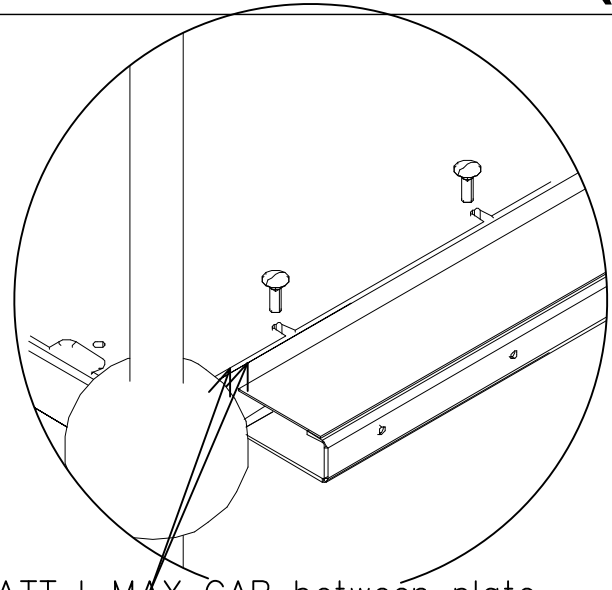
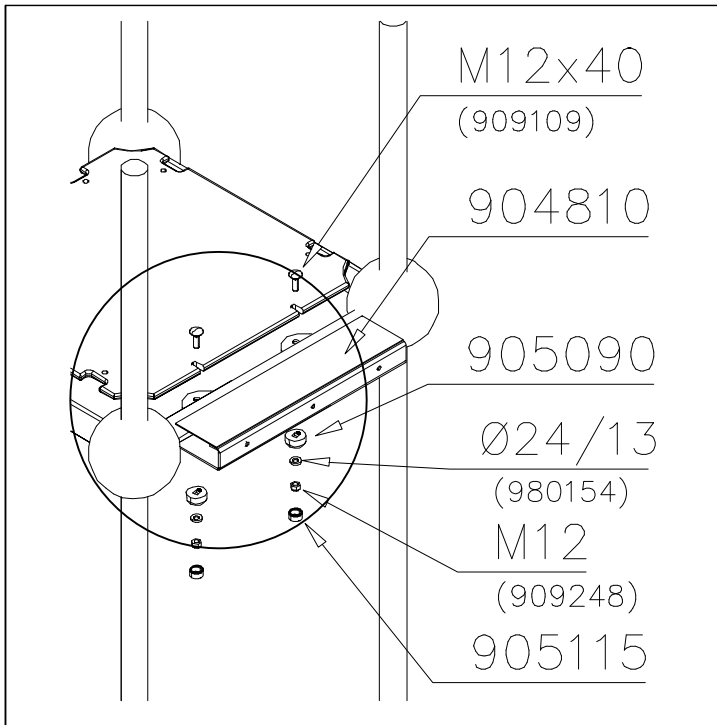
## FLOOR (SLIDE)

# CLOXX

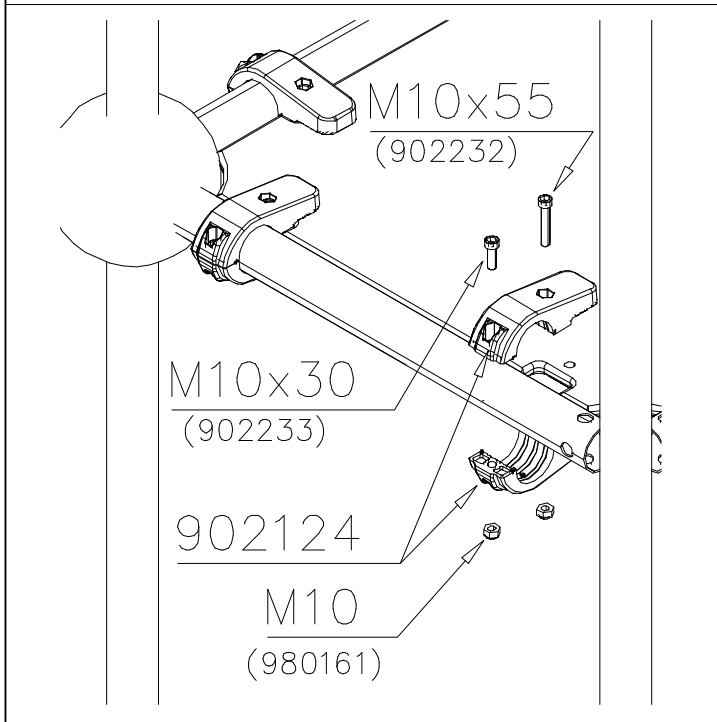
DATE: 3.10.2013

2(3)

○ 704684	○ 704685	PCS 1	○ 902124	PCS 12	○ 902232	PCS 6	○ 902233	PCS 6	○ 980161	PCS 12		PCS
			 150x50x50		 M10x55		 M10x30		 M10			
		PCS	○ 909109	PCS 2	○ 905090	PCS 2	○ 980154	PCS 2	○ 909248	PCS 2	○ 905115	PCS 2
			 M12x40		 Ø45		 Ø24/13		 M12		 Ø32	
		PCS		PCS		PCS		PCS		PCS		PCS
○ 704692	○ 704693	PCS 1	○ 902124	PCS 12	○ 902232	PCS 6	○ 902233	PCS 6	○ 980161	PCS 12		PCS
			 150x50x50		 M10x55		 M10x30		 M10			
		PCS	○ 909109	PCS 2	○ 905090	PCS 2	○ 980154	PCS 2	○ 909248	PCS 2	○ 905115	PCS 2
			 M12x40		 Ø45		 Ø24/13		 M12		 Ø32	
		PCS		PCS		PCS		PCS		PCS		PCS
		PCS		PCS		PCS		PCS		PCS		PCS

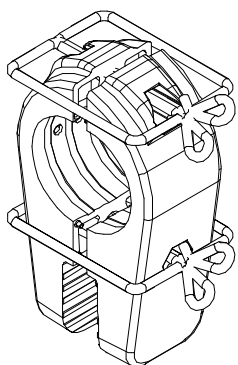
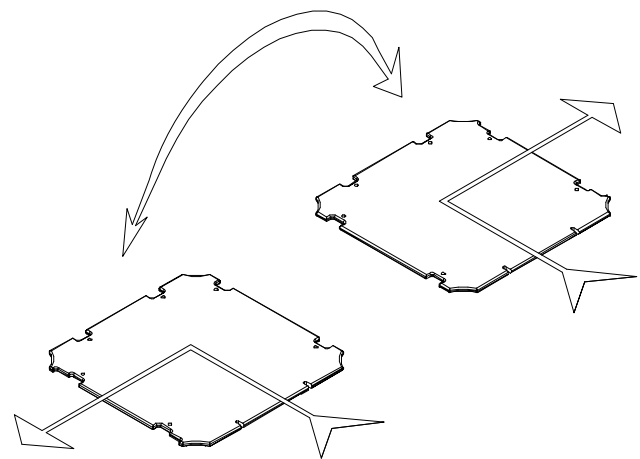


ATT ! MAX GAP between plate  
 and tube is 6mm  
 HUOM ! MAKSIMI VÄLI lattialevyllä  
 ja putkella on 6mm



KÄYTÄ TARVITTAESSA SAMAA LEVYÄ  
 VASEMALLE TAI OIKEALLE.

IF NECESSARY USE SAME PLATE LEFT  
 OR RIGHT.



NOTE:  
 Use a wire marked pairs  
 of the same junction.

Huom!  
 Käytä langalla merkittyä  
 paria samassa liitoksessa.

Exploded view diagram of a mechanical assembly. The diagram shows various components labeled with circled numbers 1 through 13 and sub-assemblies labeled DET 1 through DET 7. Dimensions are provided for several parts: 860, 784, 468, and a range of (870-1470-1970-2070).

① 704696	PCS	② 704697	PCS
	1		1
③ 904810	PCS	④ 904818	PCS
	1		2
⑤ 904833	PCS	⑥ 909876	PCS
	1		4
Ø30x565		M8x40	
⑦ 980152	PCS	⑧ 900498	PCS
	9		6
Ø24/8.4		M8x50	
⑨ 999561	PCS	⑩ 709042	PCS
	1		2
10 g			
		⑪ 909855	PCS
			8
		M8x35	
		⑫ 910683	PCS
			4
		Ø11	
		⑬ 909850	PCS
			3
		M8x25	

