

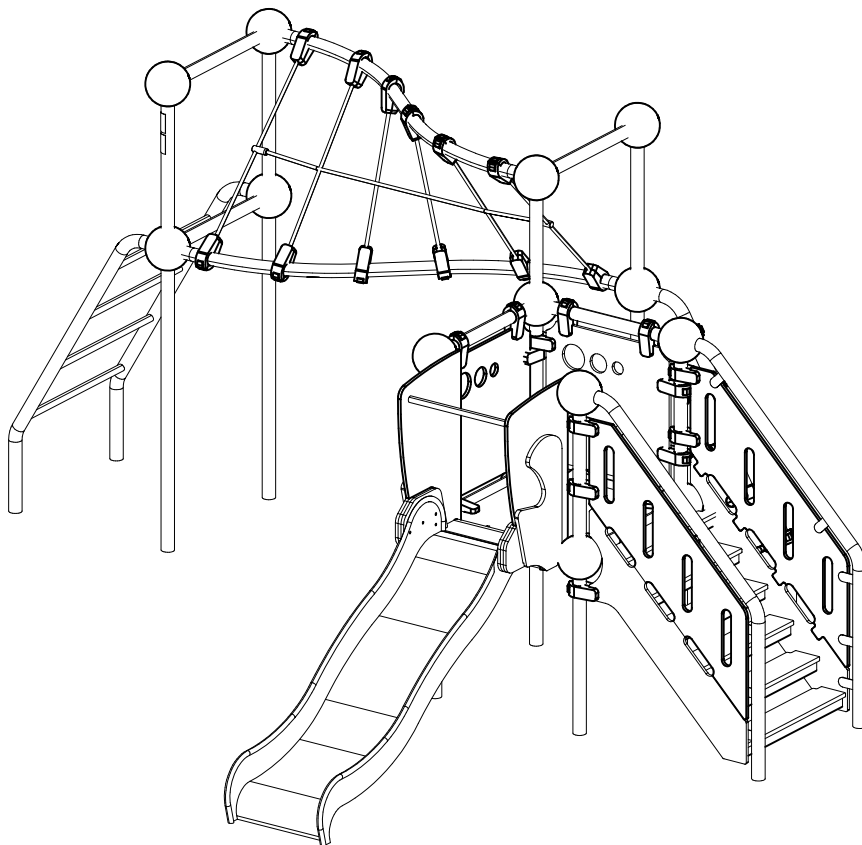
LAPPSET®

CLOXX

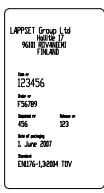
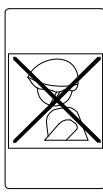
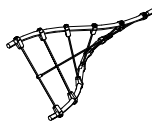

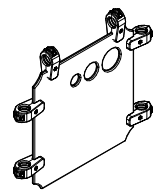

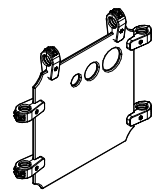



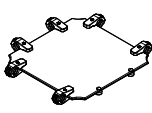

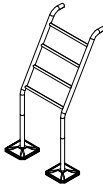

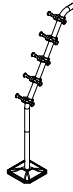

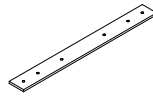
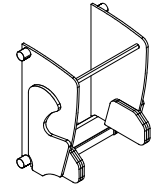

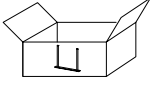
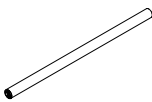
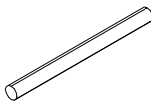
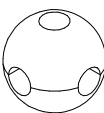
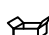
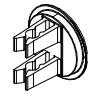



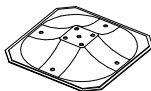
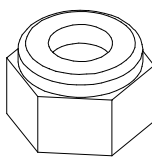
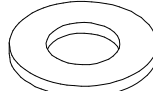
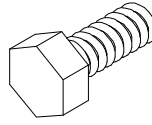
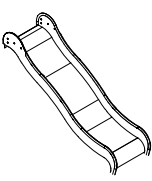
ASENNUSOHJE
MONTERINGSANSVISNING
INSTALLATION INSTRUCTION
AUFBAUANLEITUNG
NOTICE D'INSTALLATION

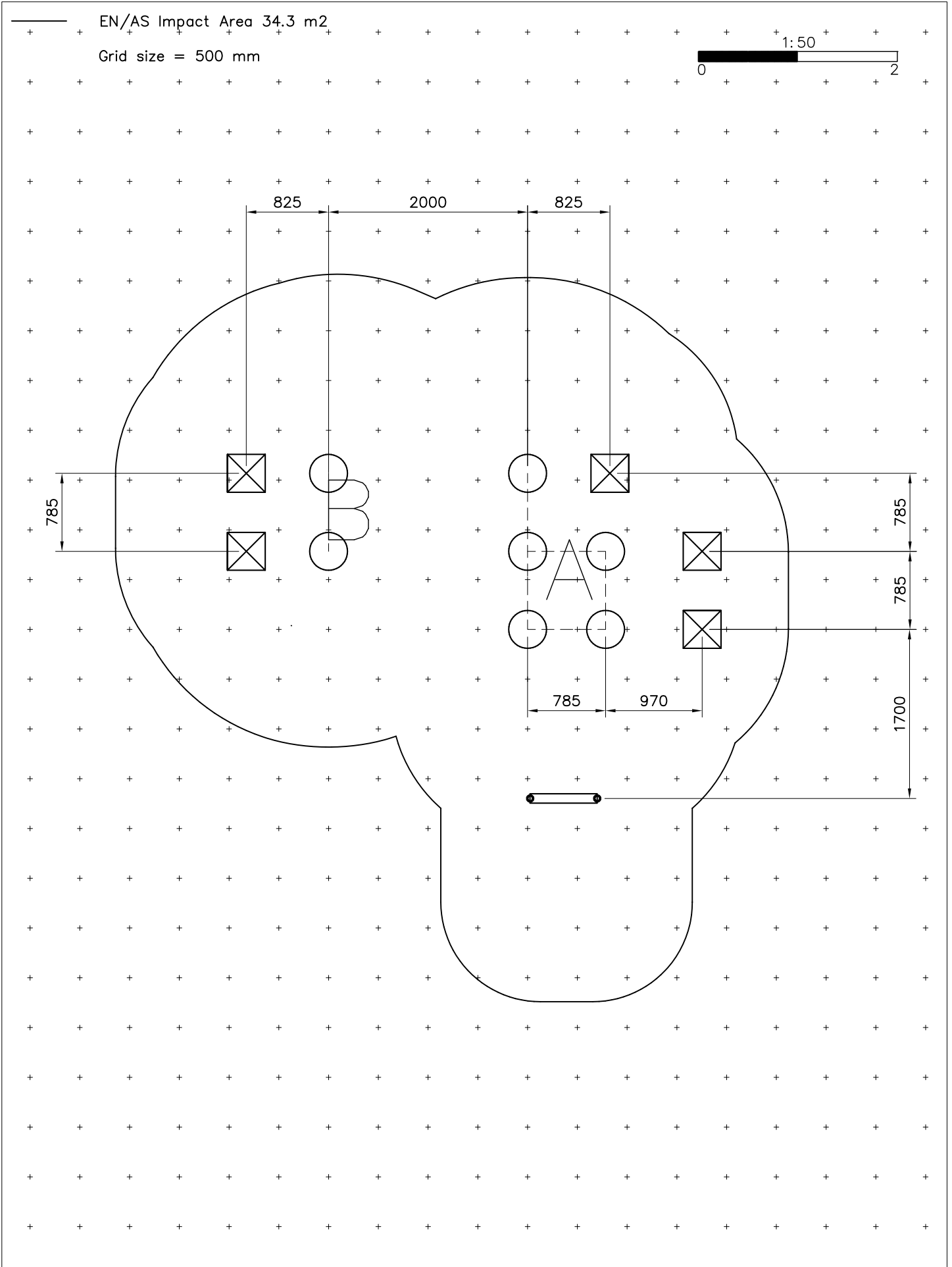
DATE: 25.2.2019

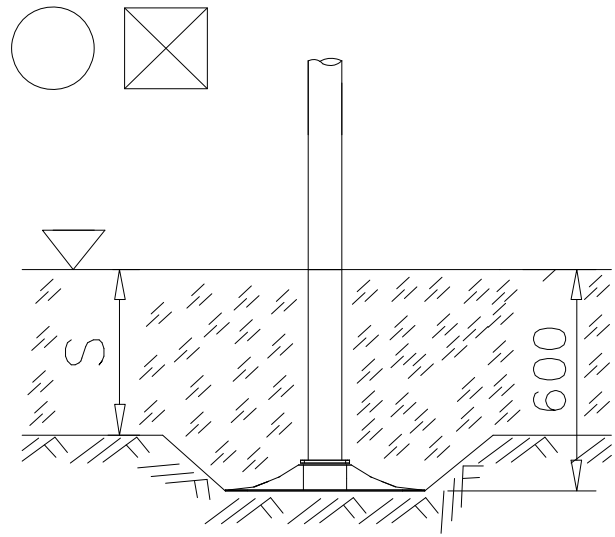
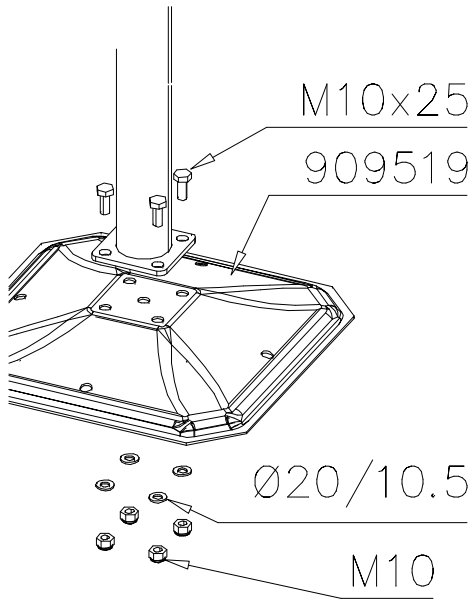
220313



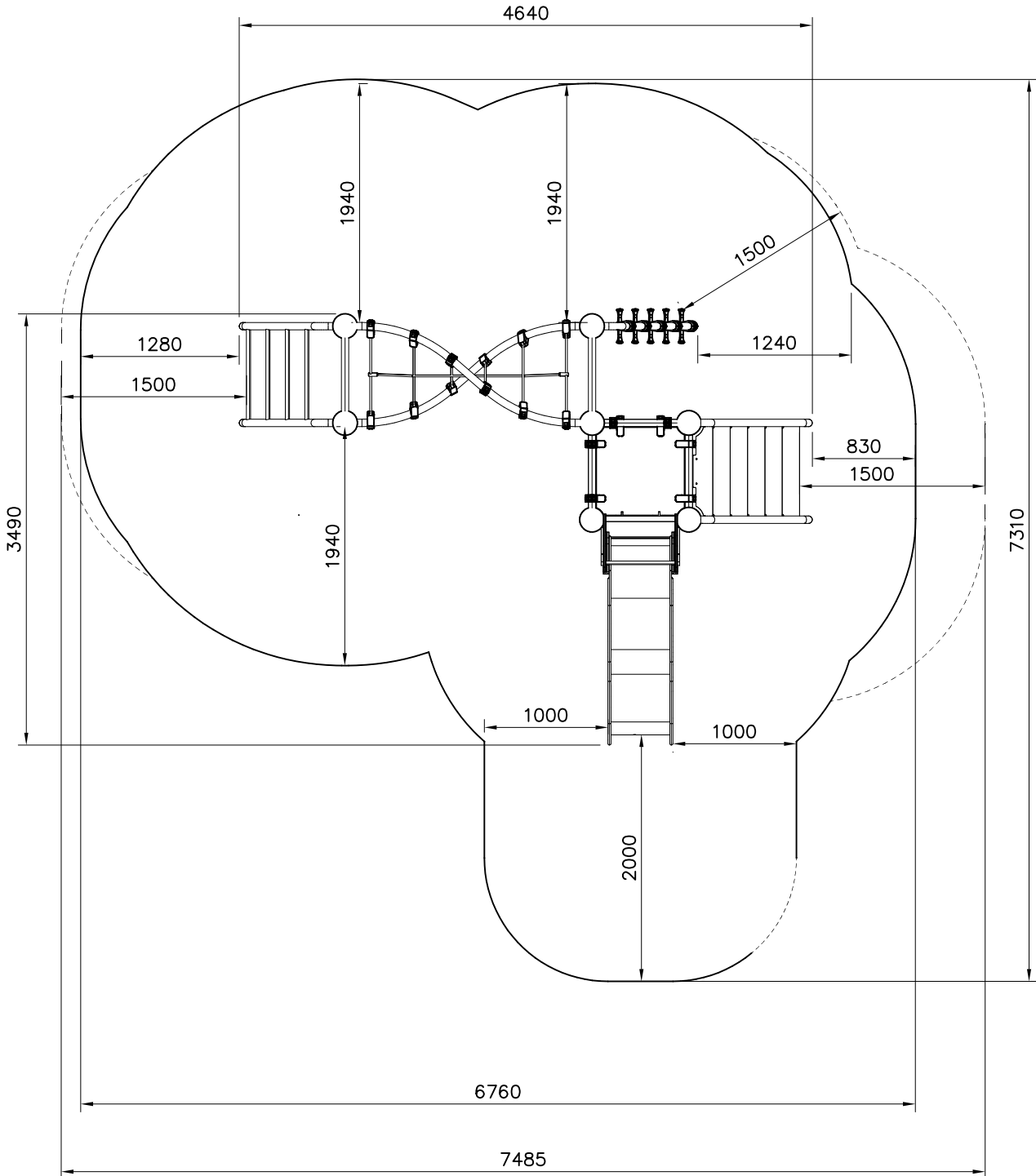
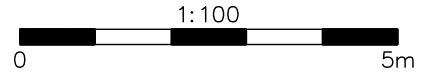
DATE: 25.2.2019

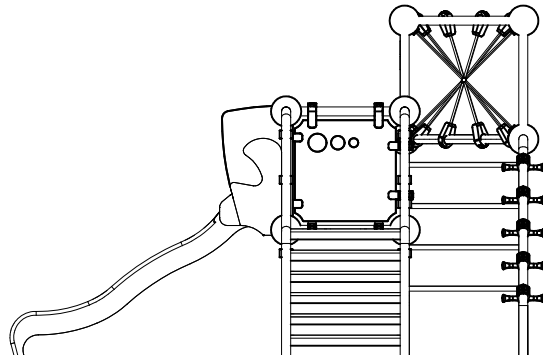
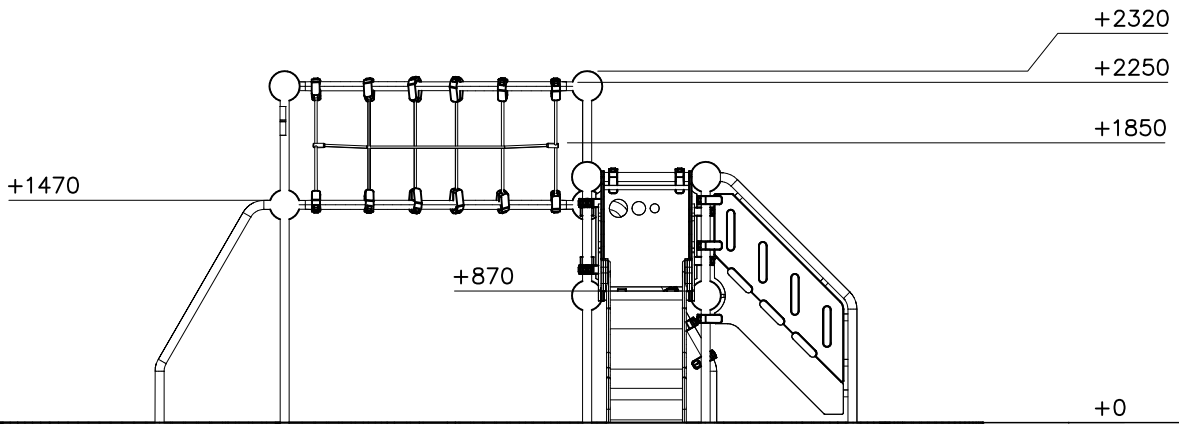
702341  90x50	PCS 1	702633  90x50	PCS 1	704063  	PCS 1	704179  	PCS 1	704328  	PCS 1	704381  	PCS 1
704432  	PCS 1	704438  	PCS 1	704440  	PCS 1	707133  10x80x745	PCS 1	708858  	PCS 1	709045 	PCS 1
901868  Ø34x598	PCS 2	902022  L 710	PCS 7	902134  	PCS 15	902157  60x60x2	PCS 41	904456  L 2737	PCS 3	904505  L 2137	PCS 4
904524  L 526	PCS 1	909519  380x380	PCS 7	909637  M10	PCS 28	909638  Ø20/10.5	PCS 56	909639  M10x25	PCS 28	909708  +870	PCS 1
	PCS		PCS		PCS		PCS		PCS		PCS
	PCS		PCS		PCS		PCS		PCS		PCS
	PCS		PCS		PCS		PCS		PCS		PCS

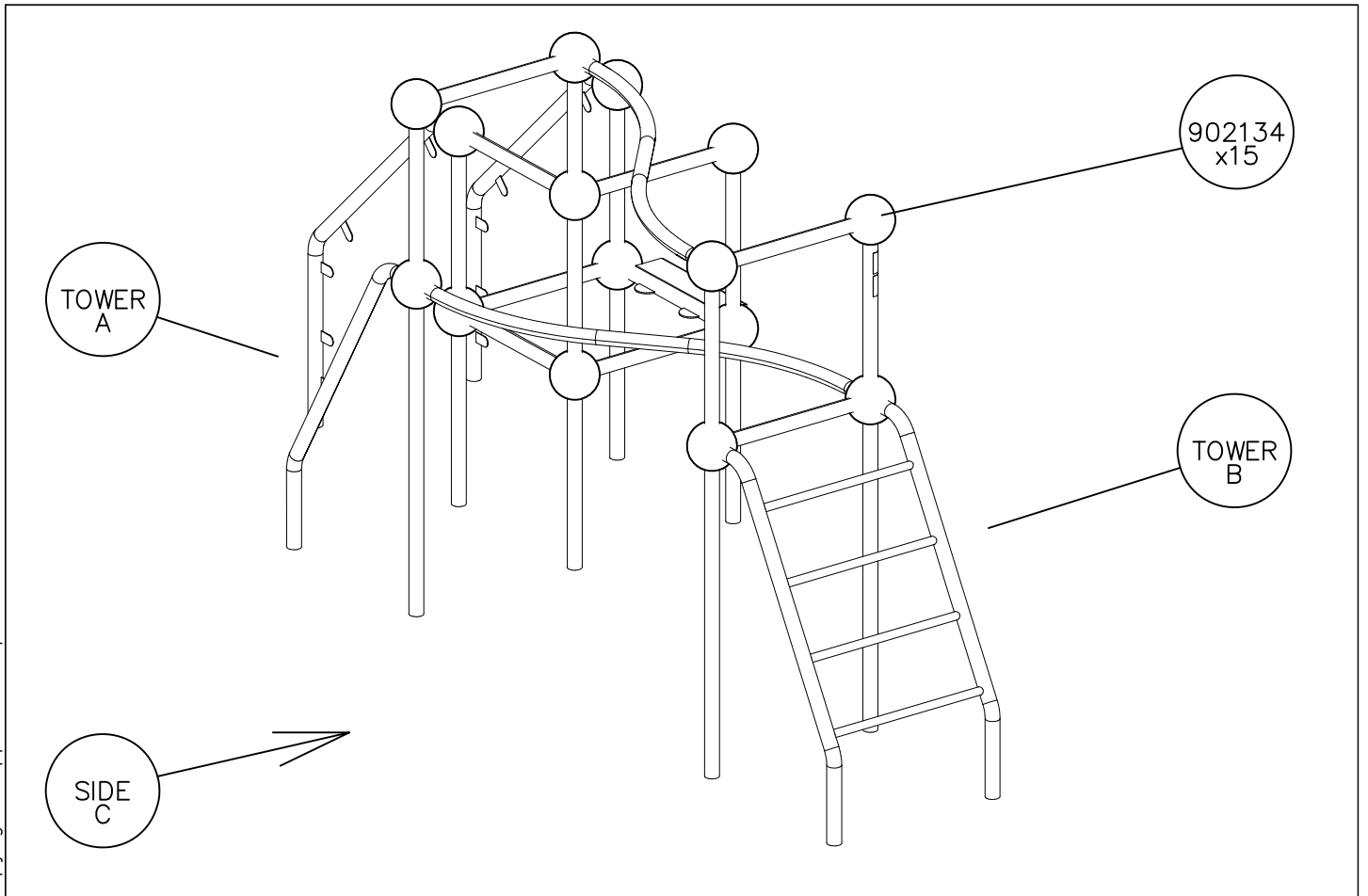
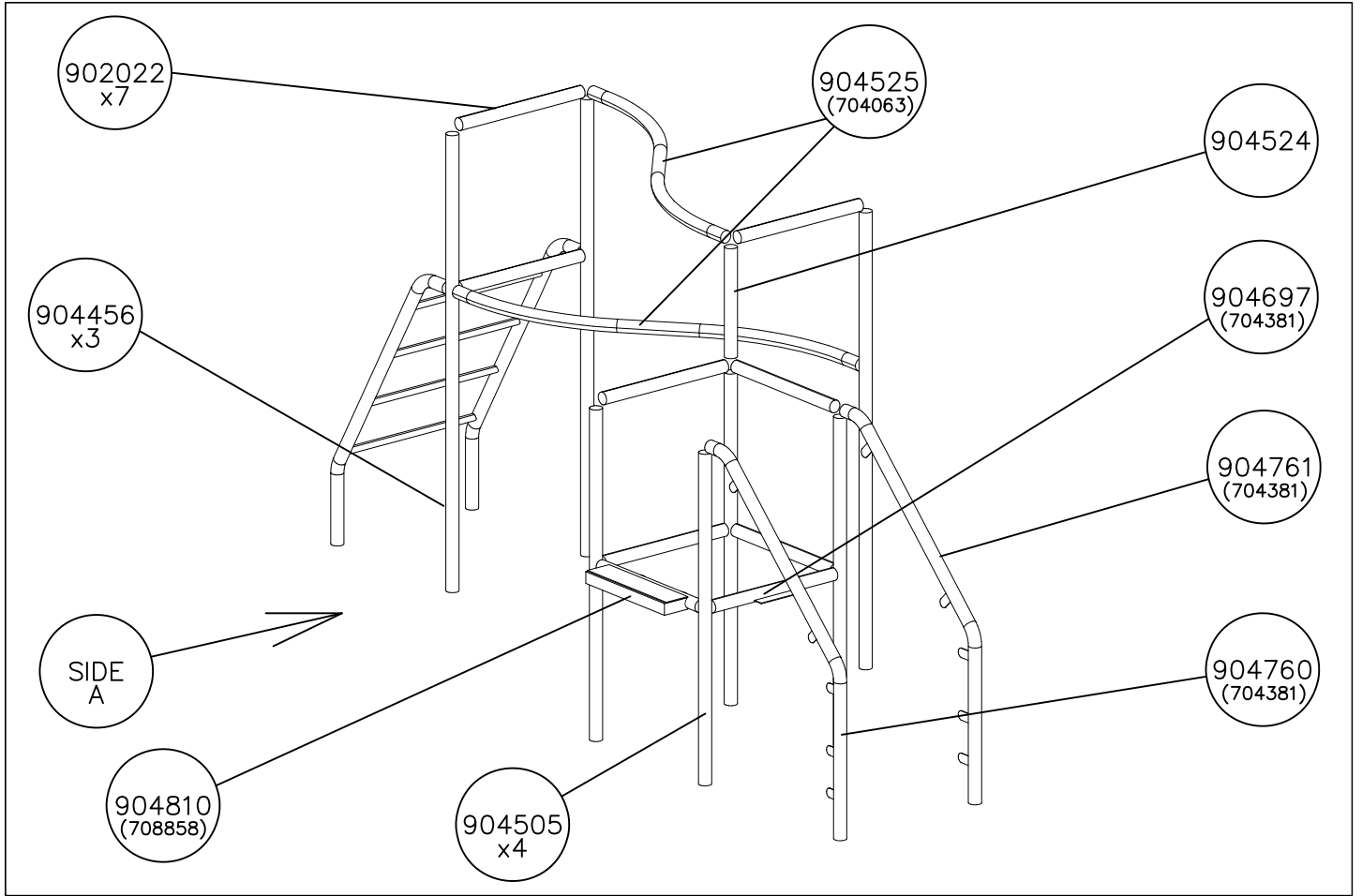


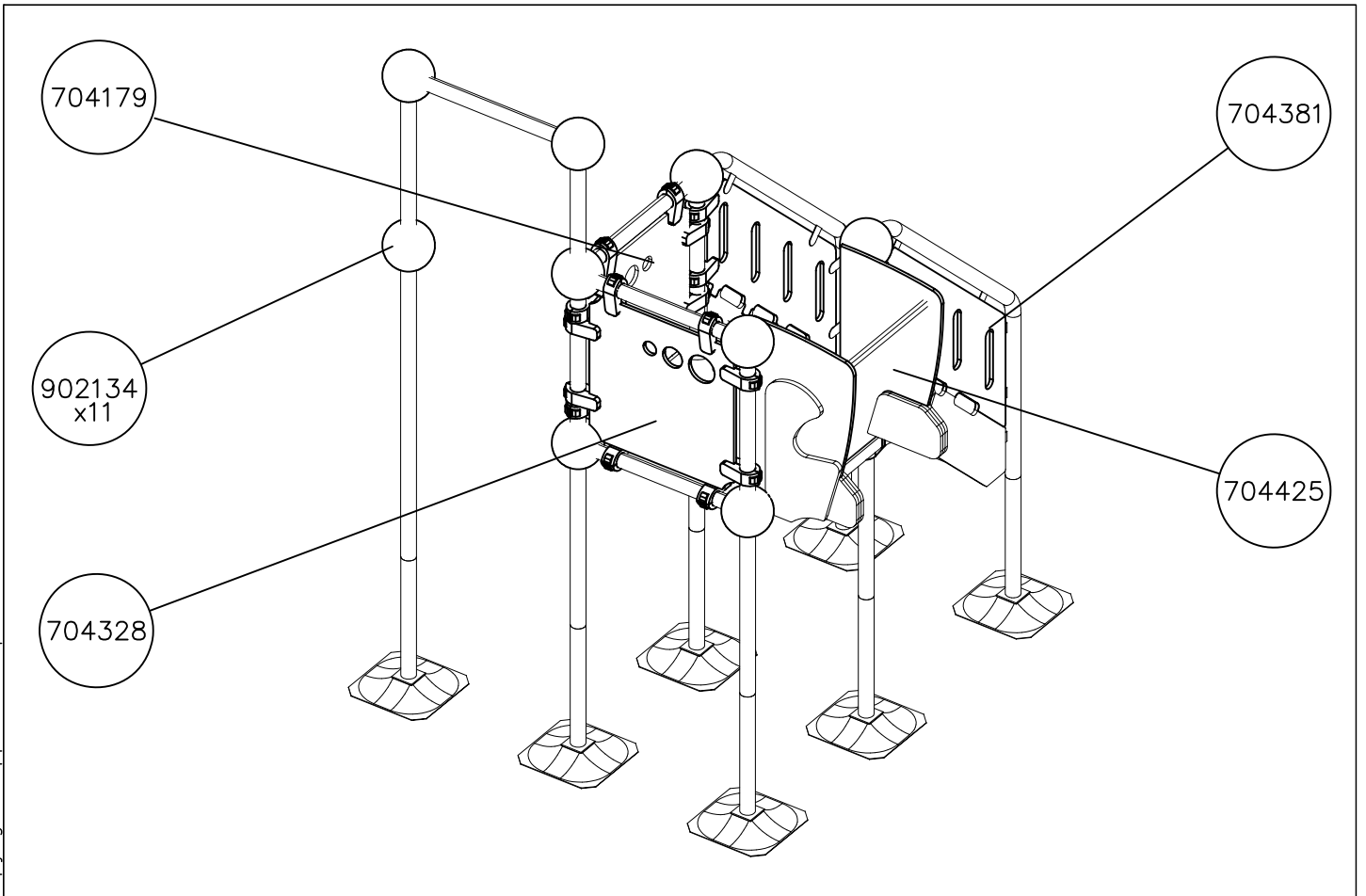
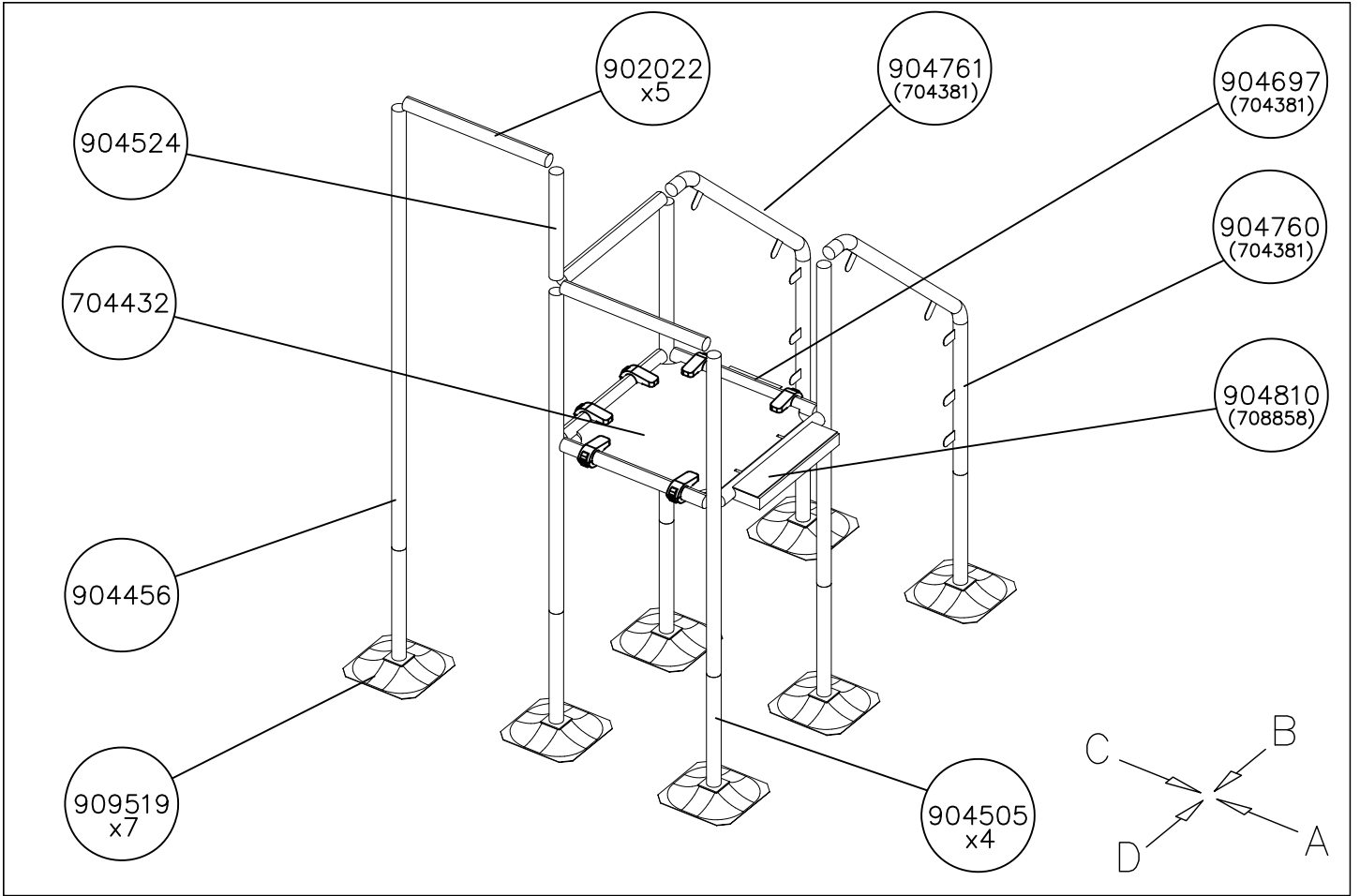


— EN/AS Impact Area 34.3 m²
- - - Falling Space 36.5 m²
Max Falling Height 2250 mm





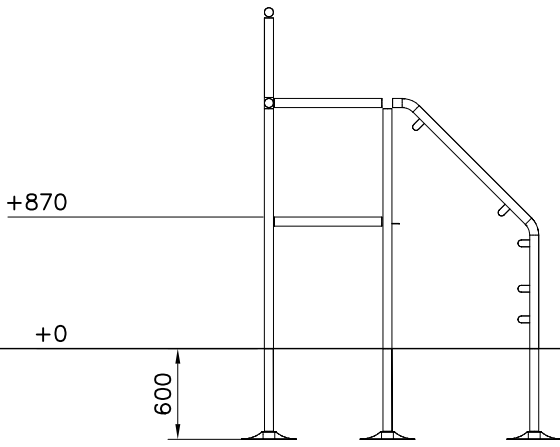




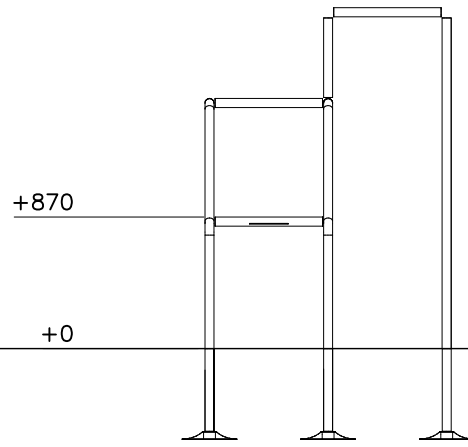
DATE: 25.2.2019

1:50

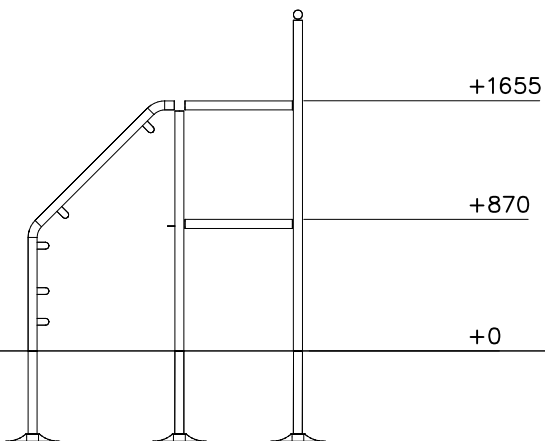
(A)



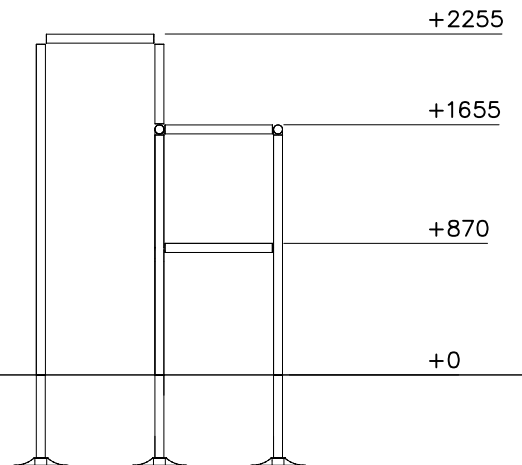
(B)

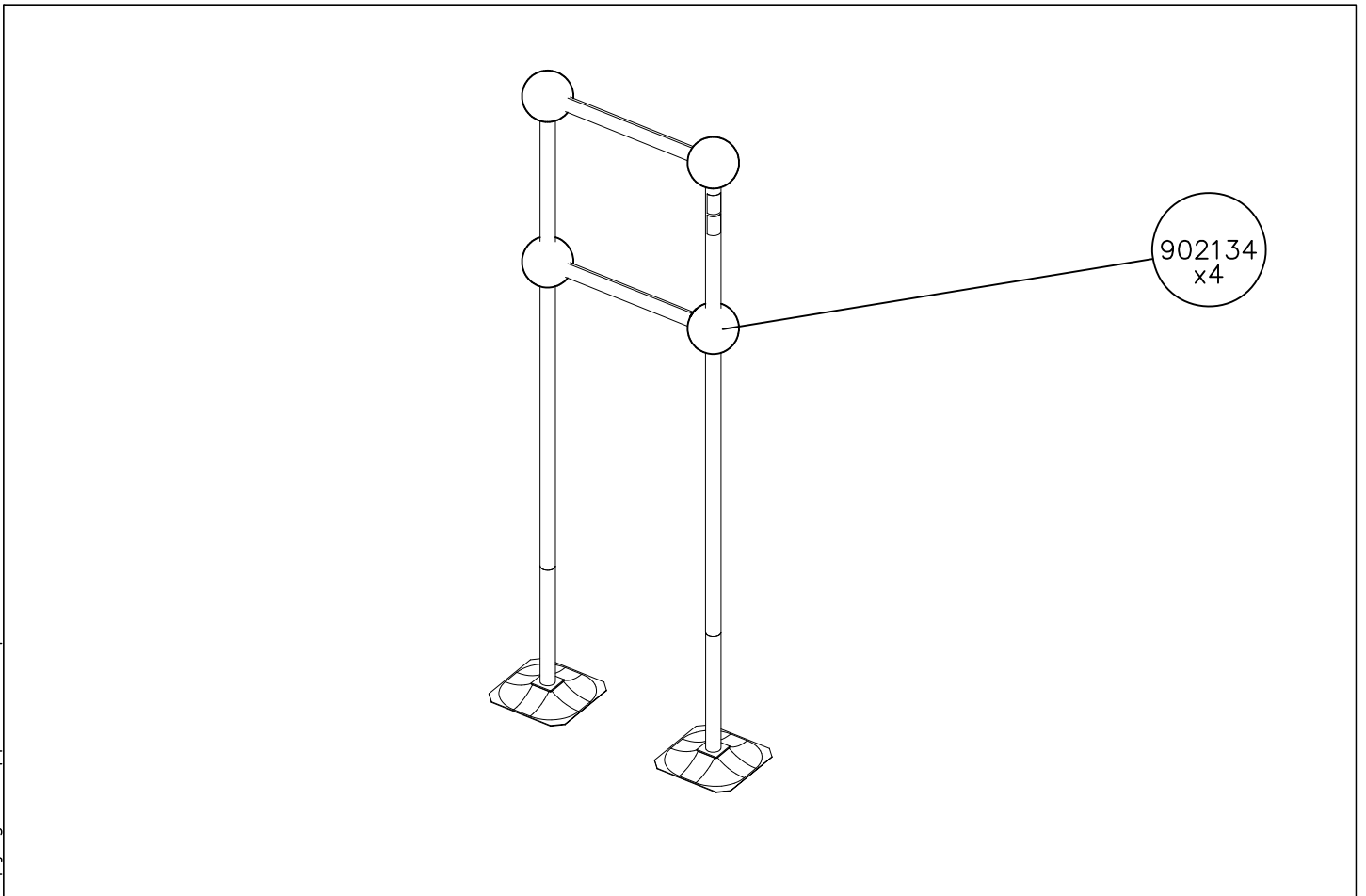
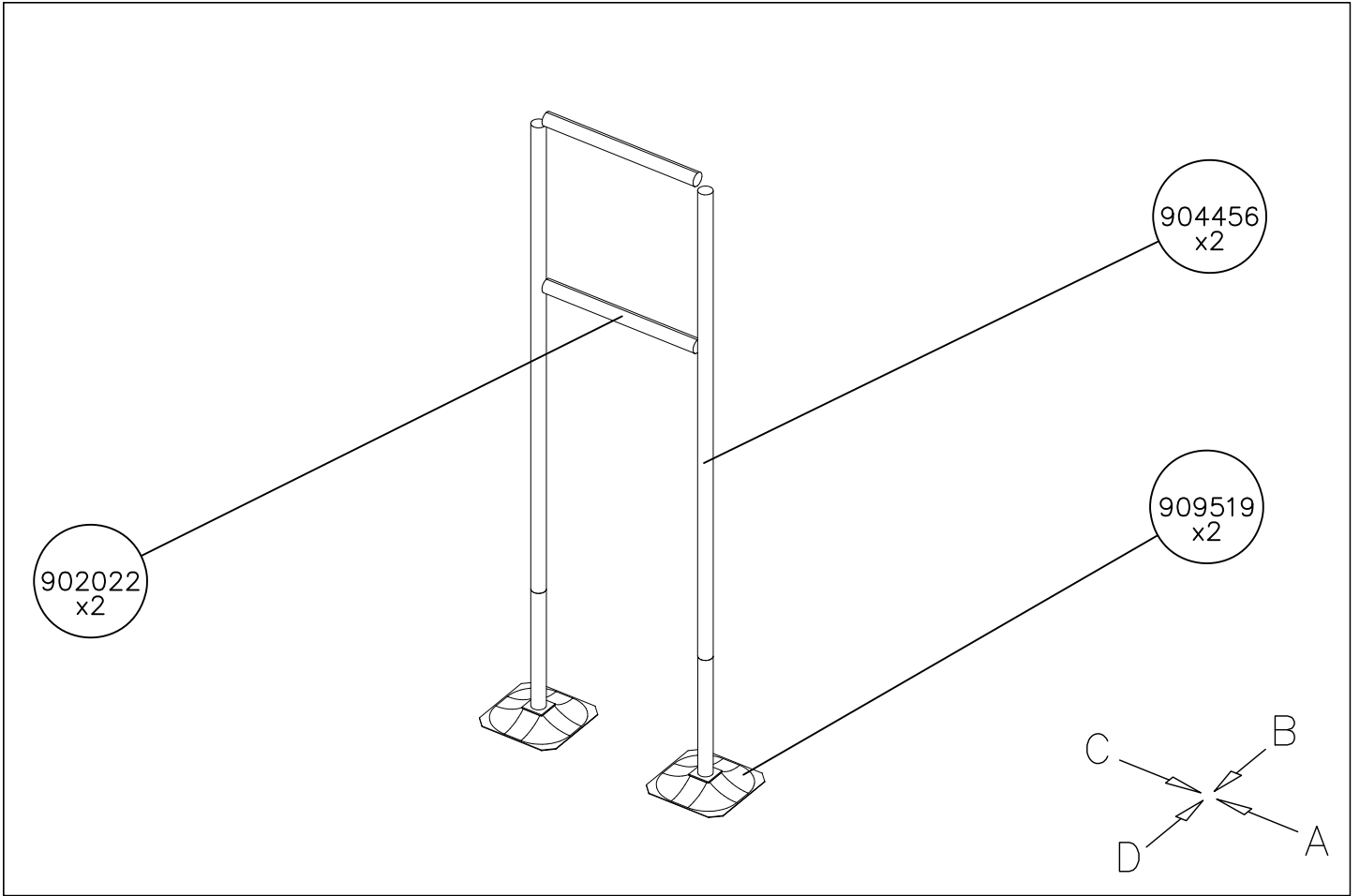


(C)



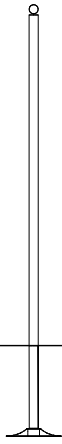
(D)



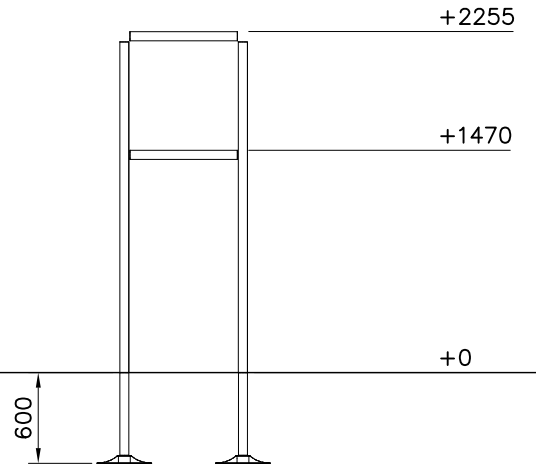


1:50

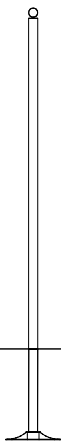
(A)



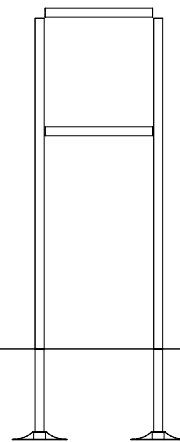
(B)

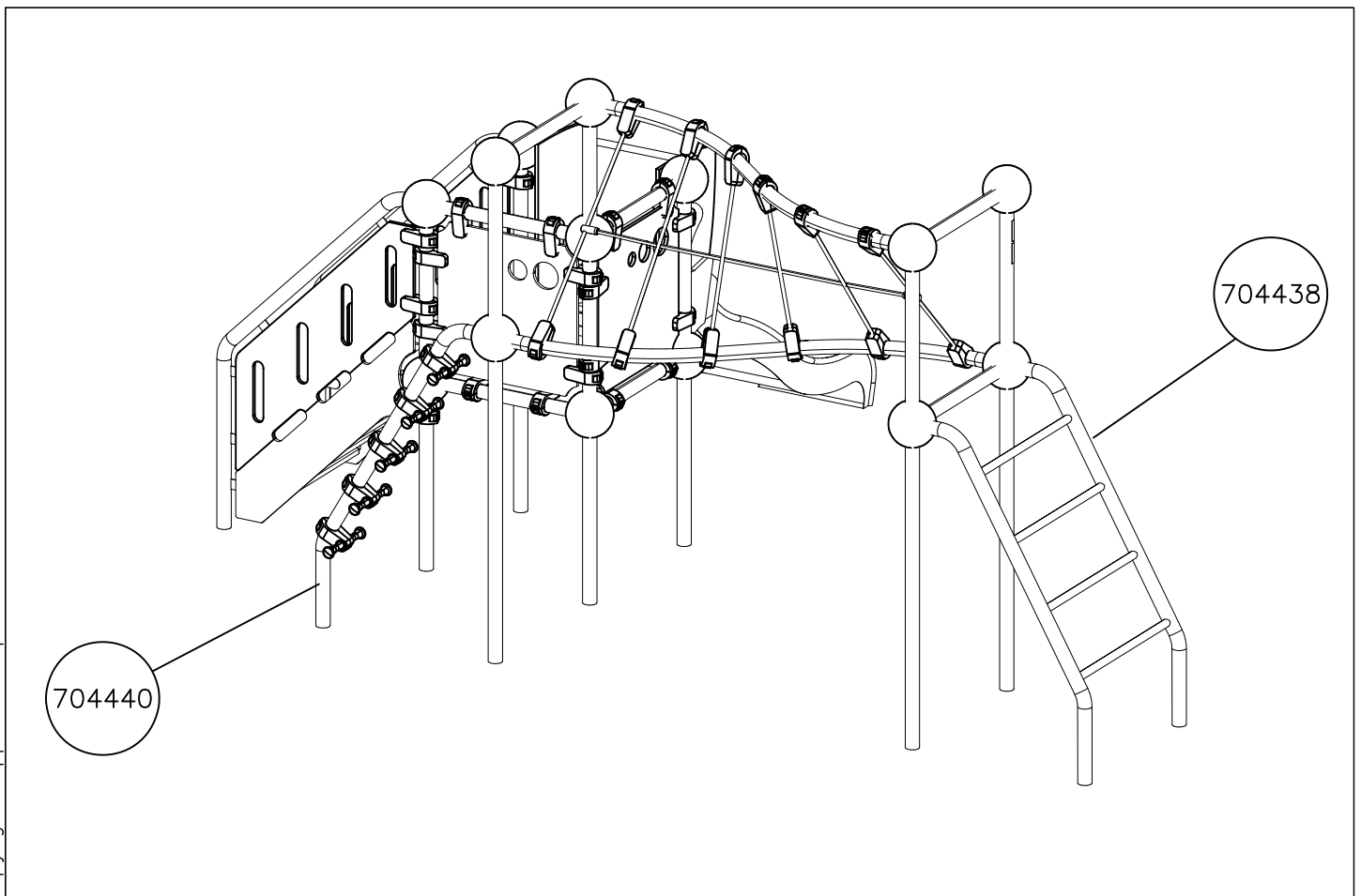
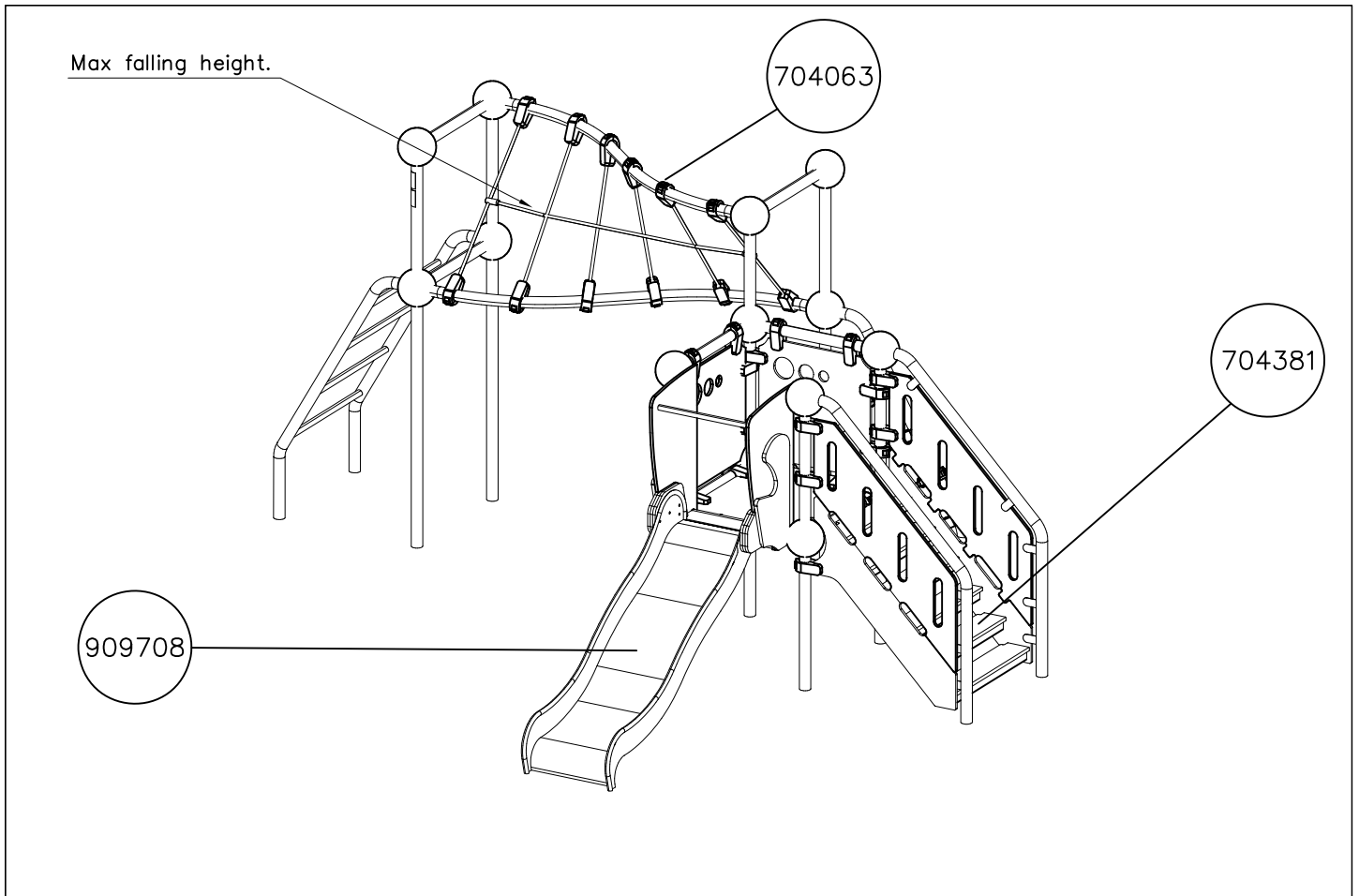


(C)



(D)





		
<p>$h < 600$</p> <p>Without movement and therefore without Impact Area</p>	<p>Totally hard surfaces.</p> <p>Note. Lappset does <u>not recommend</u> totally hard surfaces at all.</p>	<p>E.g. concrete or asphalt</p> 
<p>$h < 600$</p> <p>With movement e.g. rocking</p>	<p>Materials with very limited impact attenuating properties.</p>	<p>E.g. wood</p> 
<p>$h < 1000$</p>	<p>Materials with significant impact attenuating properties.</p>	<p>fine gravel 0–8 mm</p>  <p>grass</p>  <p>unsorted sand</p> 
<p>$h < 3000$</p>	<p>Loose fill material</p> <p>E.g. sand/gravel 0,25...8 mm D60/D10<3,0 Woodchips 5...30 mm bark 20...80 mm</p>	 <p>\underline{S} \underline{h}</p> <p>30 cm < 2,0 m</p> <p>40 cm < 3,0 m</p>
	<p>Syntethic granulates</p> <p>\underline{S} \underline{h}</p> <p>40 mm ~> 1,2...1,3 m</p> <p>50 mm ~> 1,5...1,7 m</p> <p>60 mm ~> 1,8...2,0 m</p> <p>70 mm ~> 2,1...2,5 m</p> <p>Note. For accurate values, see manufacturer's instructions.</p>	

REMOVE SAFETY SURFACE/SAND/GRAVEL
TO CHECK FOUNDATION



REMOVE SAFETY SURFACE/SAND/GRAVEL
TO CHECK FOUNDATION

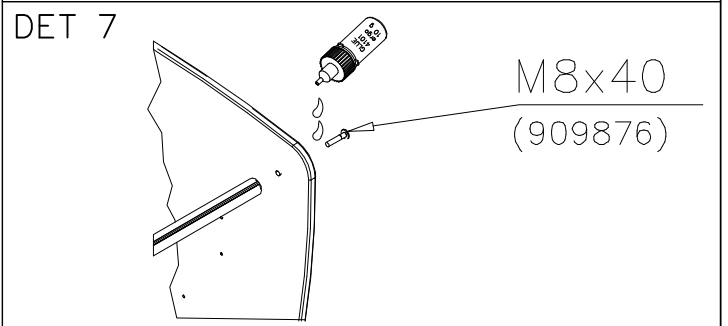
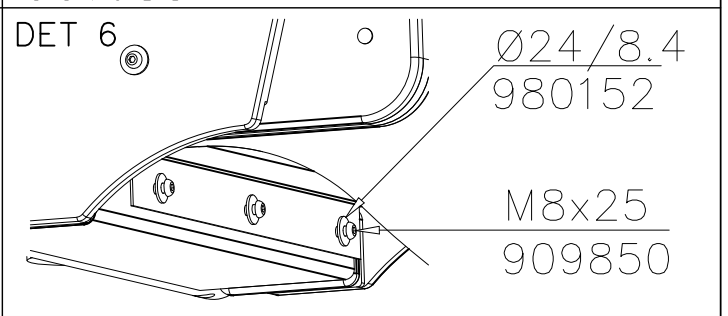
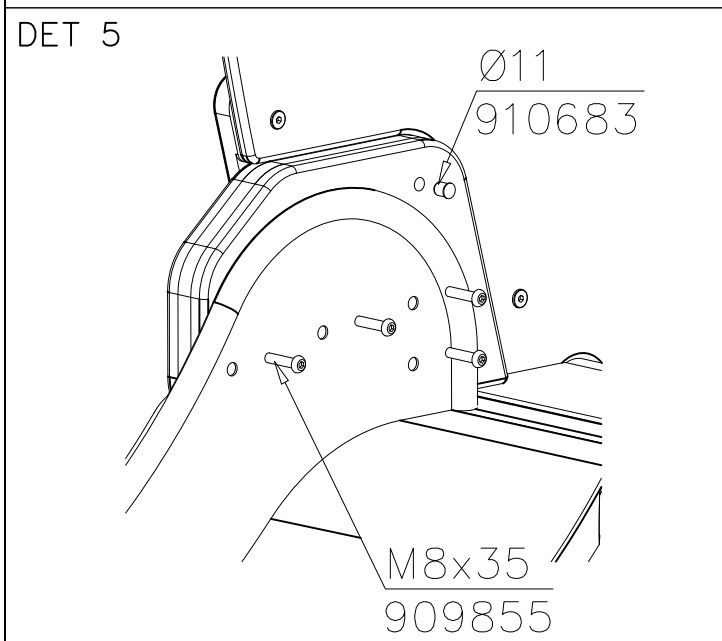
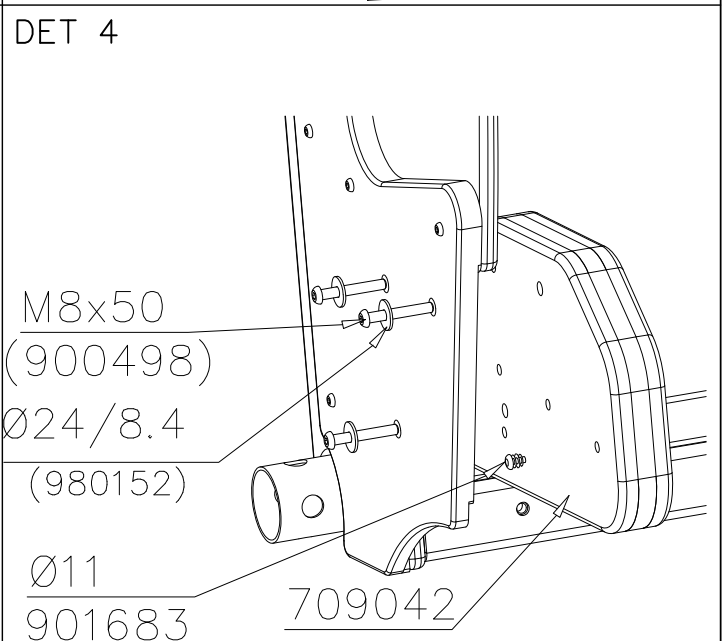
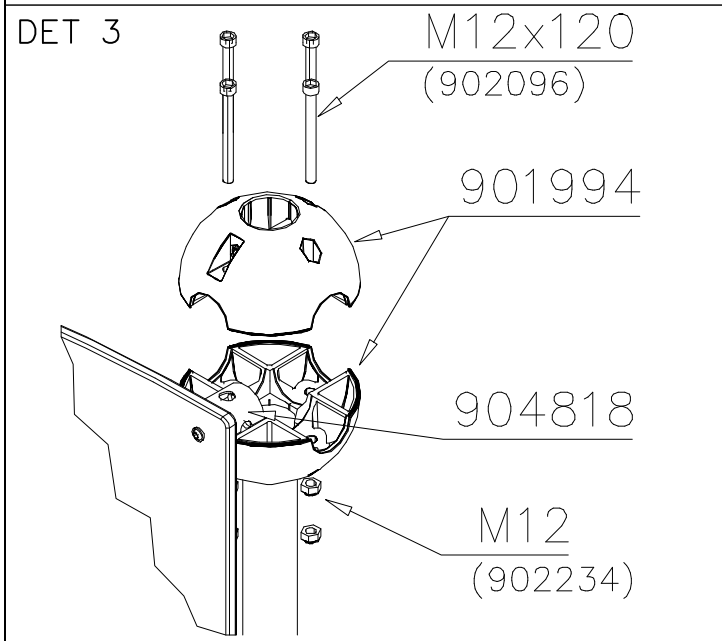
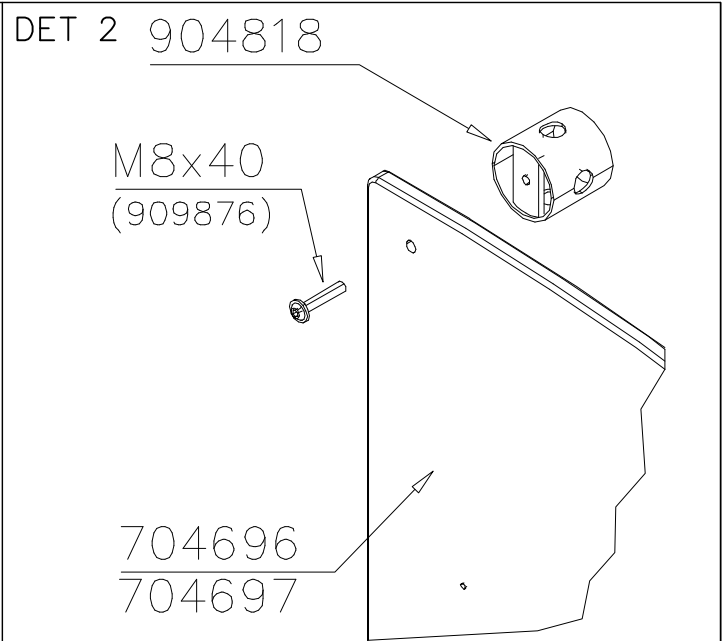
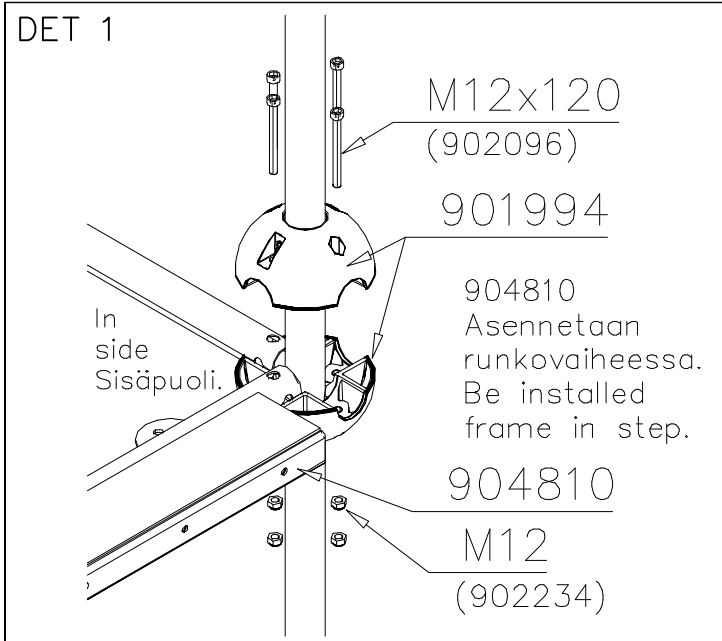


Exploded view diagram of a mechanical assembly. The diagram shows various components labeled with circled numbers 1 through 13 and sub-assemblies labeled DET 1 through DET 7. Dimensions are provided for several parts and the overall assembly.

Dimensions shown in the diagram:

- 860 (vertical dimension on the left)
- 784 (vertical dimension on the right)
- 784 (horizontal dimension at the bottom)
- 468 (horizontal dimension at the top right)
- (870-1470-1970-2070) (vertical dimension on the right)

① 704696	PCS	② 704697	PCS
	1		1
③ 904810	PCS	④ 904818	PCS
	1		2
⑤ 904833	PCS	⑥ 909876	PCS
	1		4
Ø30x565		M8x40	
⑦ 980152	PCS	⑧ 900498	PCS
	9		6
Ø24/8.4		M8x50	
⑨ 999561	PCS	⑩ 709042	PCS
	1		2
GLUE 4101 ergo 10 g			
10 g			
		⑪ 909855	PCS
			8
		M8x35	
		⑫ 910683	PCS
			4
		Ø11	
		⑬ 909850	PCS
			3
		M8x25	



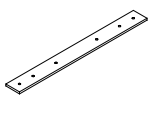
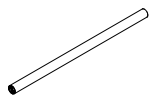

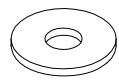
LAPPSET

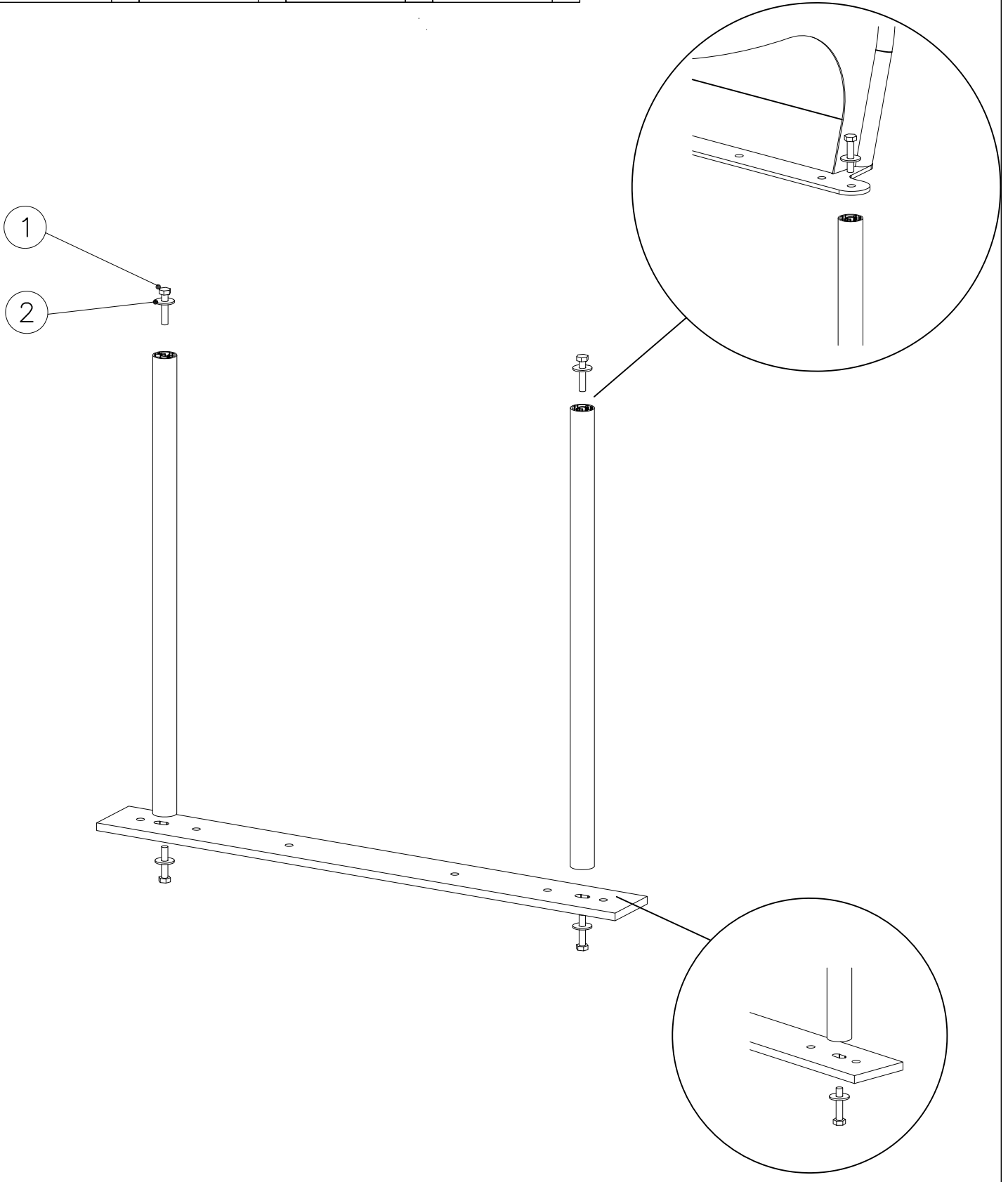
DEEP FOUNDATION

SLIDE METAL

DATE: 11.2.2019

1(1)

○ 707133	PCS	○ 901868	PCS	① 909210	PCS	② 905051	PCS
	1		2		4		4
							
10x80x745		Ø30x598		M8x40		Ø24/8.4	



LAPPSET

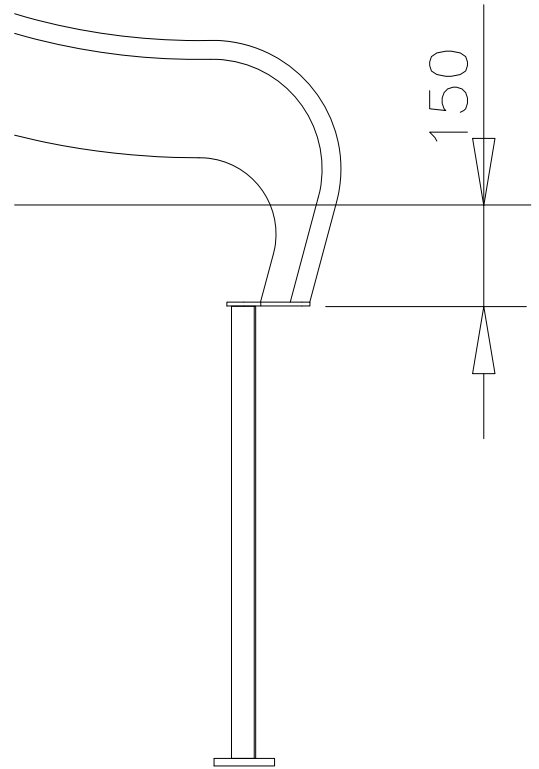
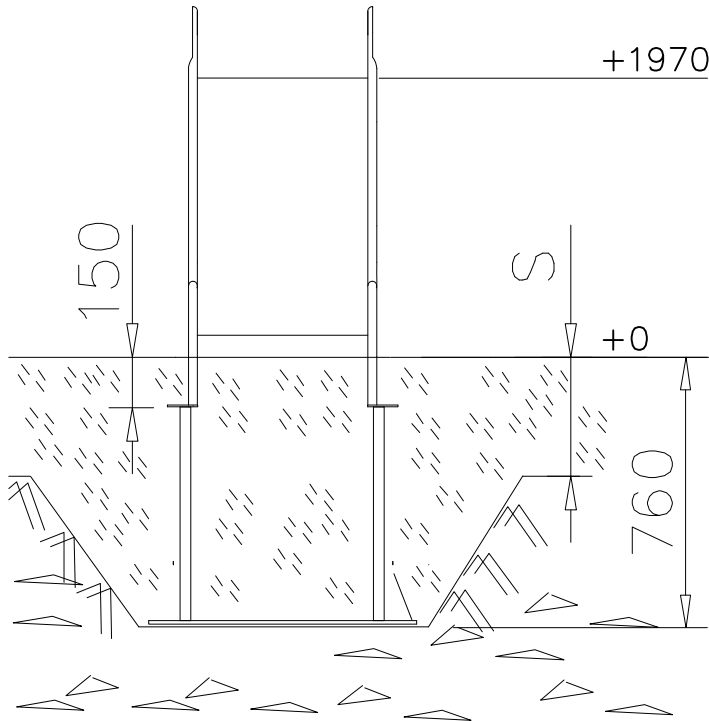
DEEP FOUNDATION

SLIDE METAL

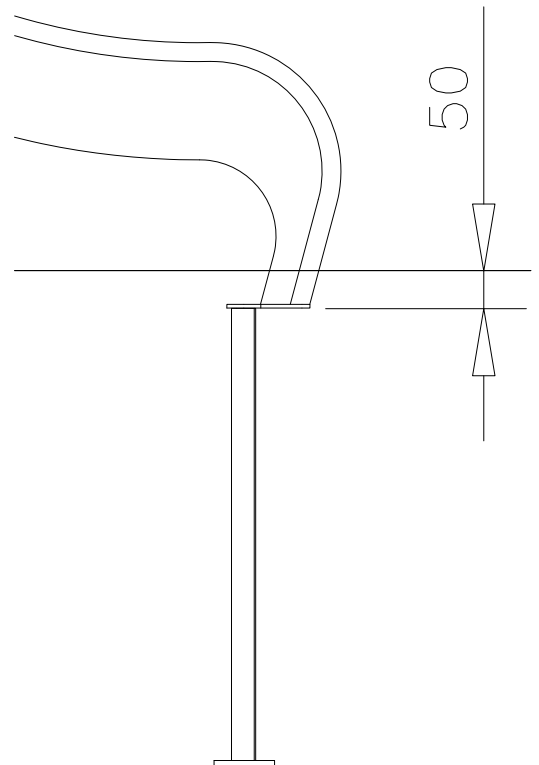
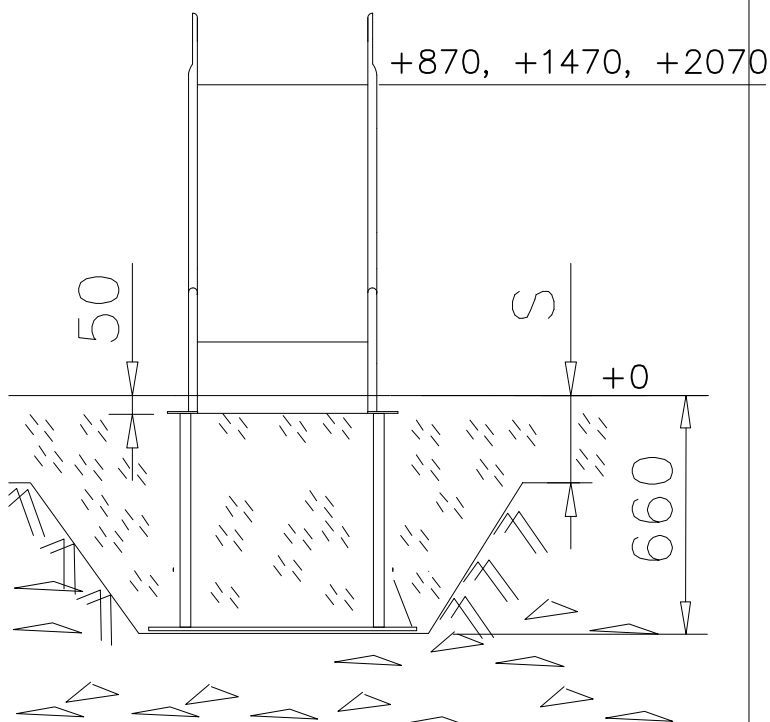
DATE: 24.11.2020

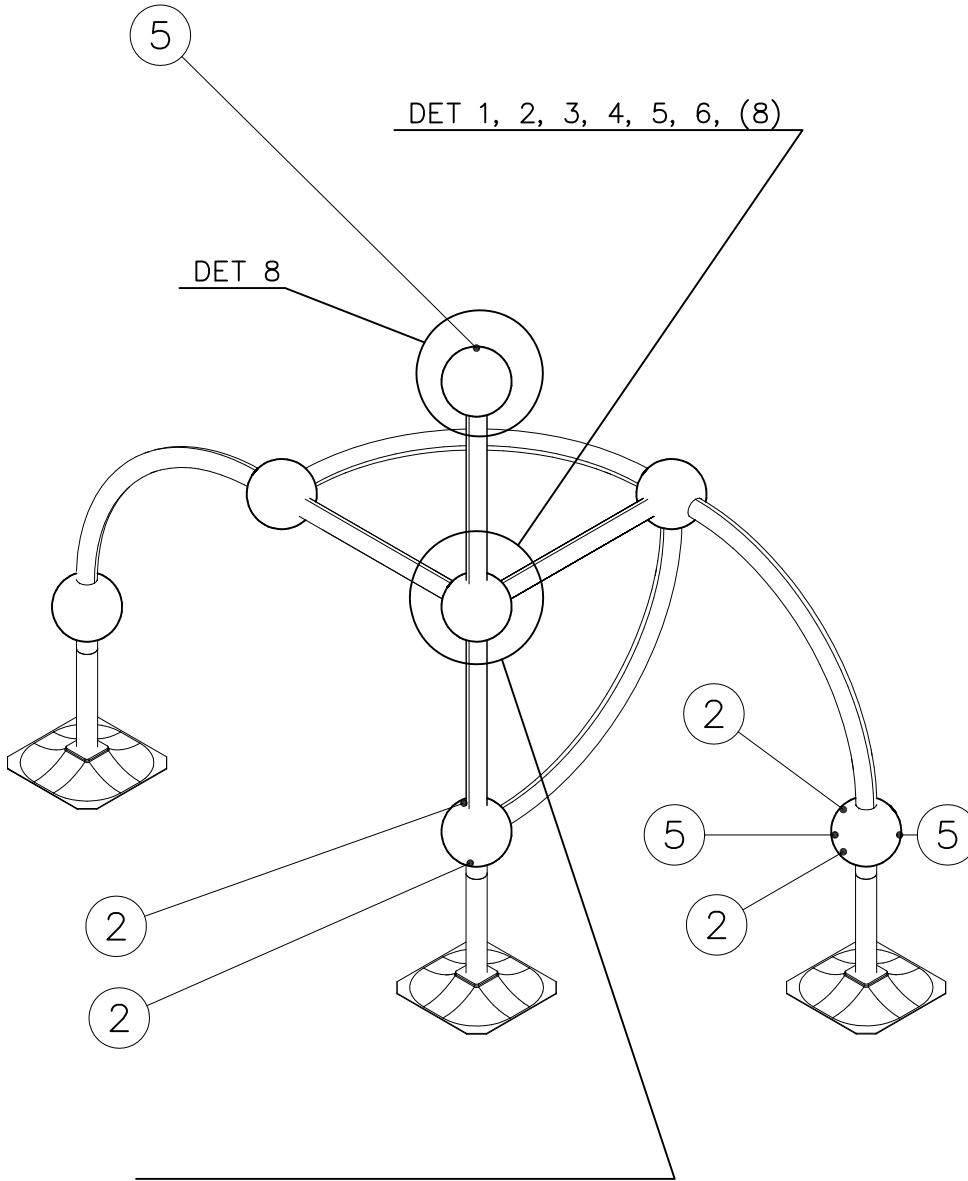
1(1)

Floor level +1970

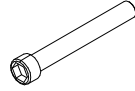

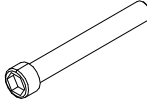



Floor level +870,
+1470, +2070

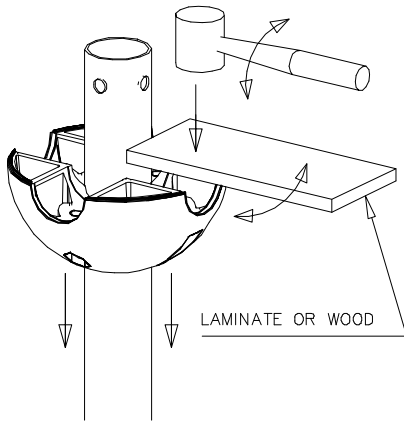




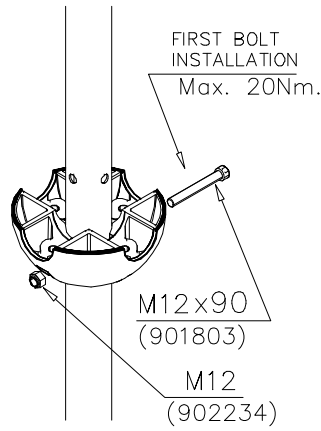
DO NOT TIGHTEN THE JOINTS UNTIL THE STRUCTURE IS COMPLETE.

① 901803	PCS	② 901994	PCS
	2		2
M12x90		Ø190	
③ 902096	PCS	④ 902234	PCS
	4		6
M12x120		M12	
	PCS		PCS
	PCS		PCS
	PCS		PCS
	PCS		PCS
	PCS		PCS
	PCS		PCS

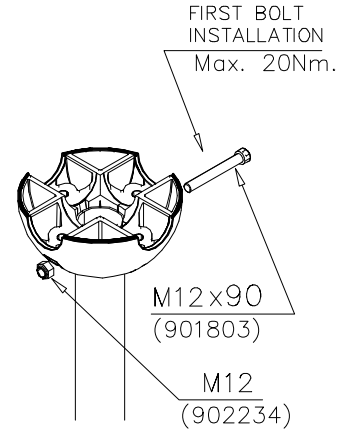
DET 1



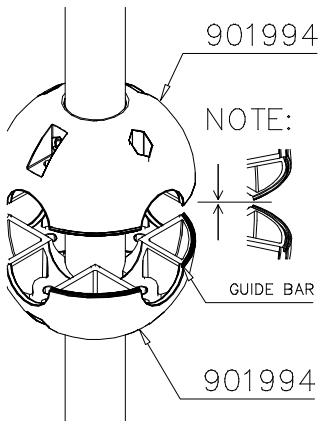
DET 2



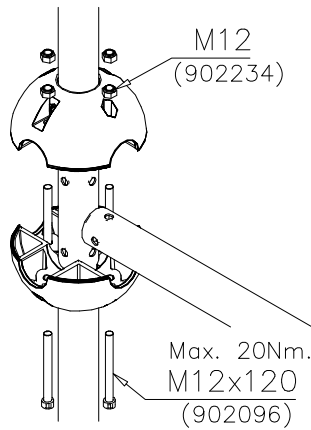
DET 3



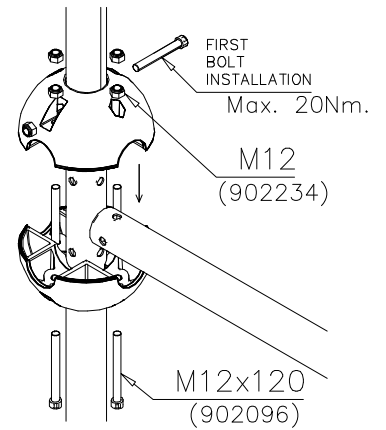
DET 4



DET 5

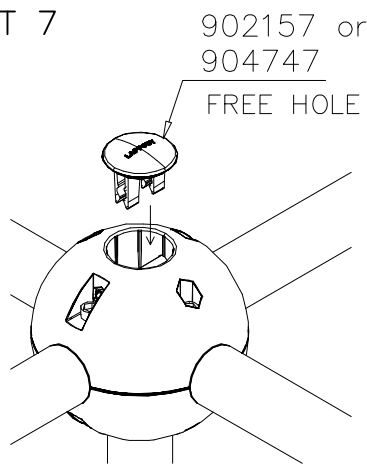


DET 6



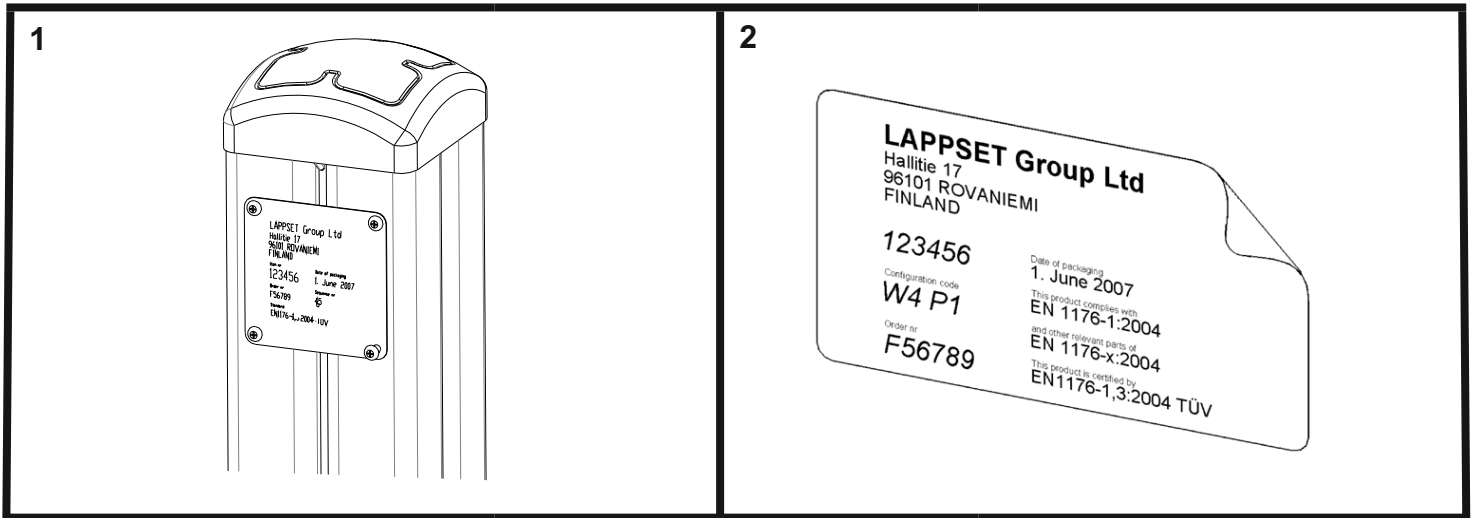
REMEMBER
FINAL
TIGHTENING

DET 7



DET 8





Tuotekyltti tulee tuotteen mukana yhdellä seuraavista tavoista:

1) Metallinen tuotekyltti ja kiinnitysruuvit

- Kiinnitä tuotekyltti ruuveilla tolppaan noin 2 metrin korkeuteen kuvan 2 mukaisesti.

2) Tuotekylttitarra

- Puhdista maalattu metalli- tai vaneripinta pölystä ja kosteudesta. Liimaa tarra kuvan 3 mukaisesti.
- Huom. Älä kiinnitä tarraa karheapintaiseen laminaattiin tai maalattuun puuhun.

Vår produktmärkning levereras på ett av följande sätt:

1) Produktskylt i metall

- Fäst skylten med de medföljande skruvarna

2) Självhäftande produktetikett

- Rengördenpulverlackerademetallytanellerlaminatytansåttndenblirfrifrånsmutsochfukt.Fästetikettenenligtfig.3.
- Obs! Fäst ej etiketten på detaljer med skrovlig yta eller på målat trä.

Product label is delivered by one of following ways:

1) Metal product label and screws

- Fasten the label with screws.

2) Label sticker

- Cleanthepaintedmetalorplywoodsurfacefromdirtandmoisture.Fastenthestickerasshowninthefigure3.
- Note. Do not attach the sticker to rough surfaced laminate or painted wood.

La plaque d'informations produit est livrée sous l'une de ces 3 formes :

1) Plaque métallique et vis

- Fixez la plaque à l'aide des vis.

2) Etiquette autocollante

- Avant de coller l'étiquette, nettoyez le composant métallique peint ou la plaque de contreplaqué, de toute saleté. La surface doit être sèche (voir image 3).
- Attention, ne pas coller l'étiquette sur une surface lamellé-collée irrégulière ou sur du bois peint.

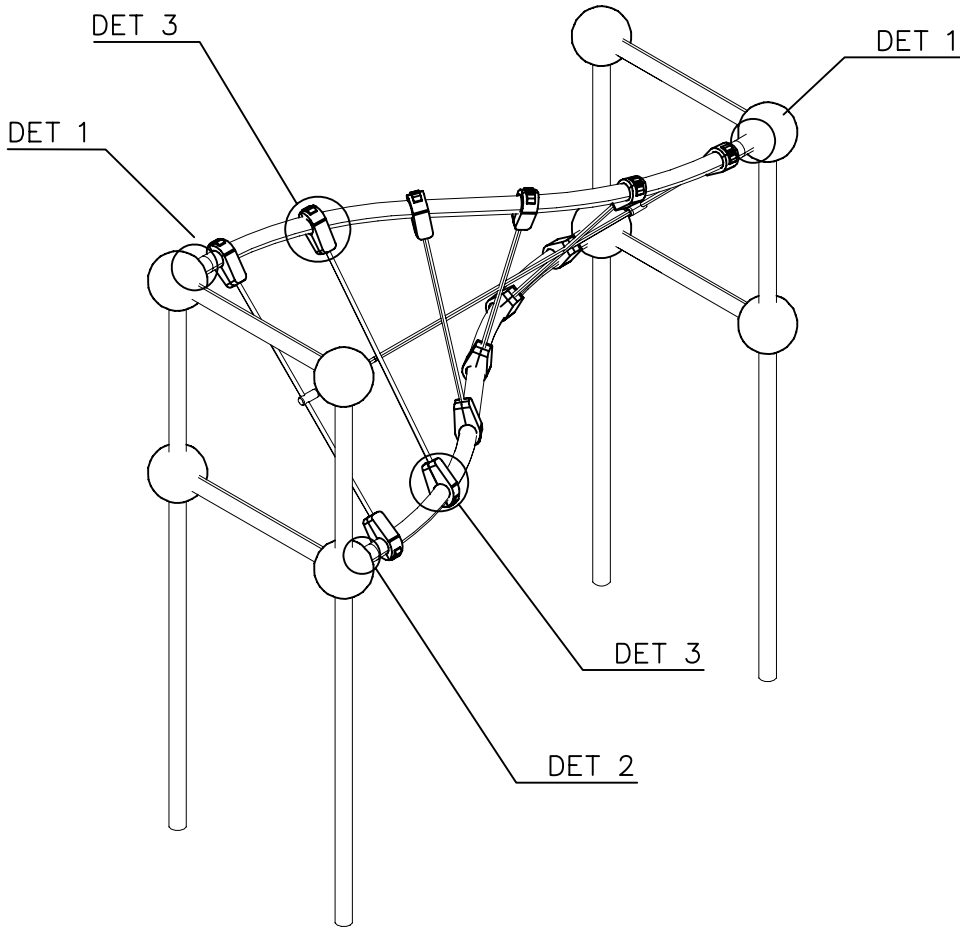
Die Auslieferung des Produktaufklebers erfolgt auf eine dieser Arten:

1) Produkt-Schild aus Metall incl. Schrauben

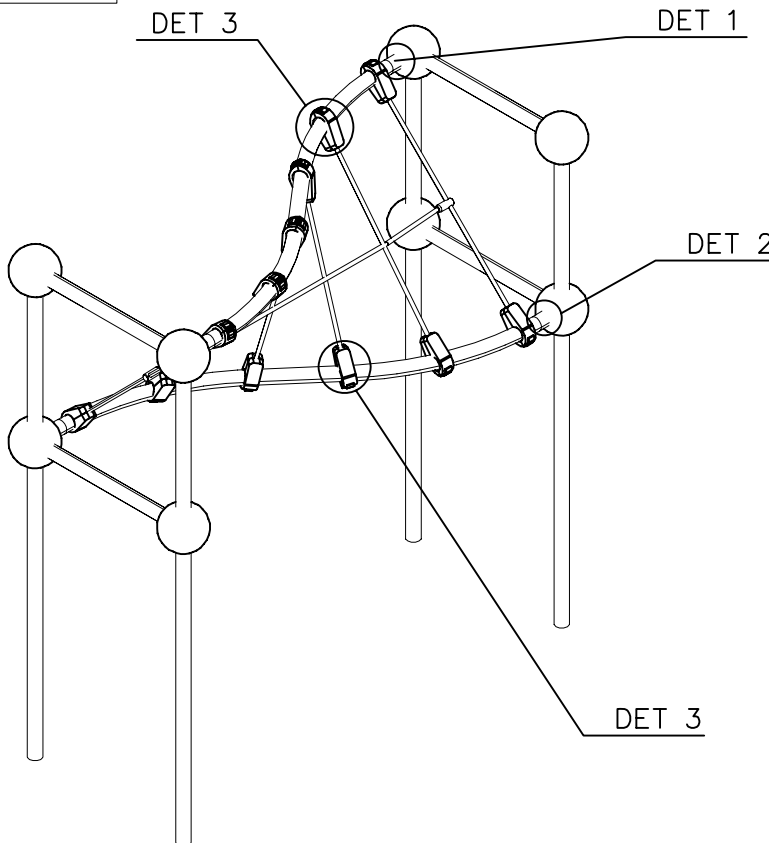
- Die Befestigung des Schildes erfolgt mittels der Schrauben.



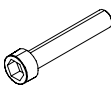
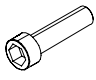
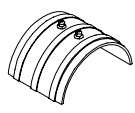

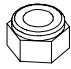
2) Aufkleber

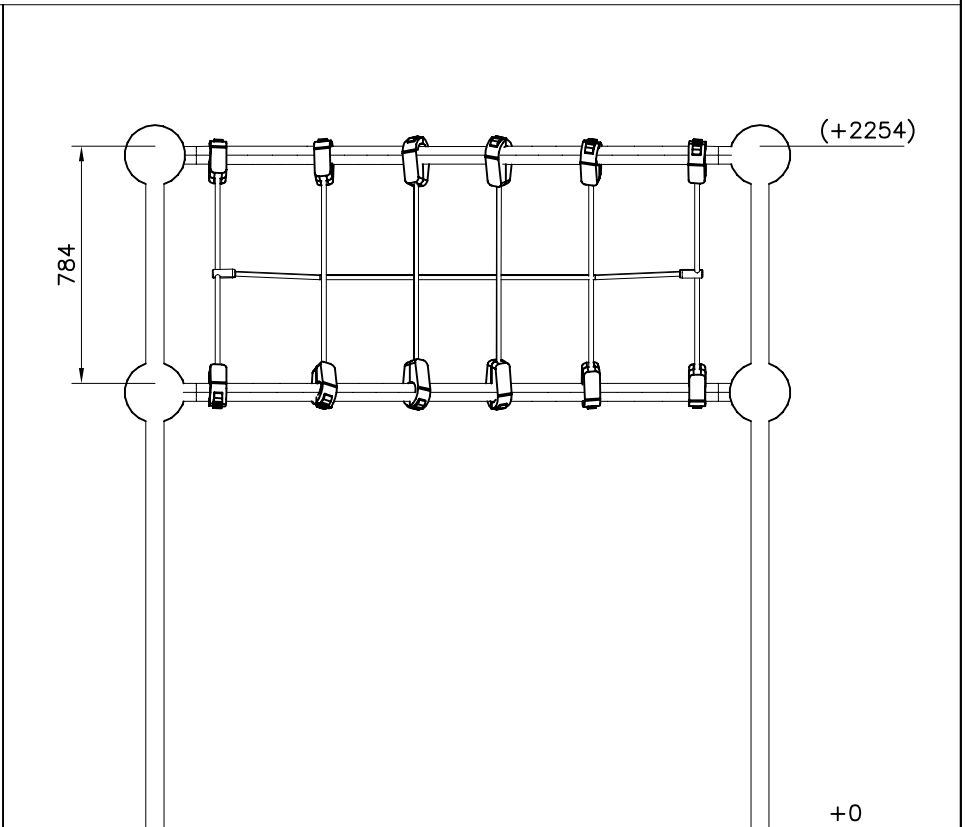
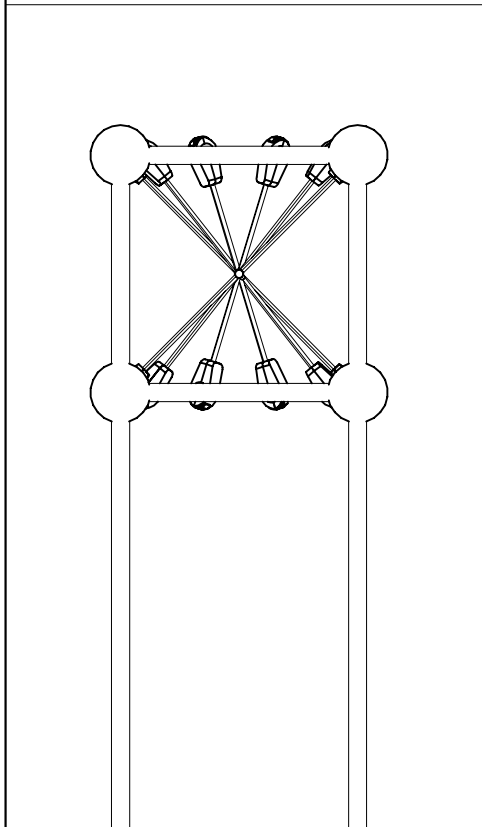
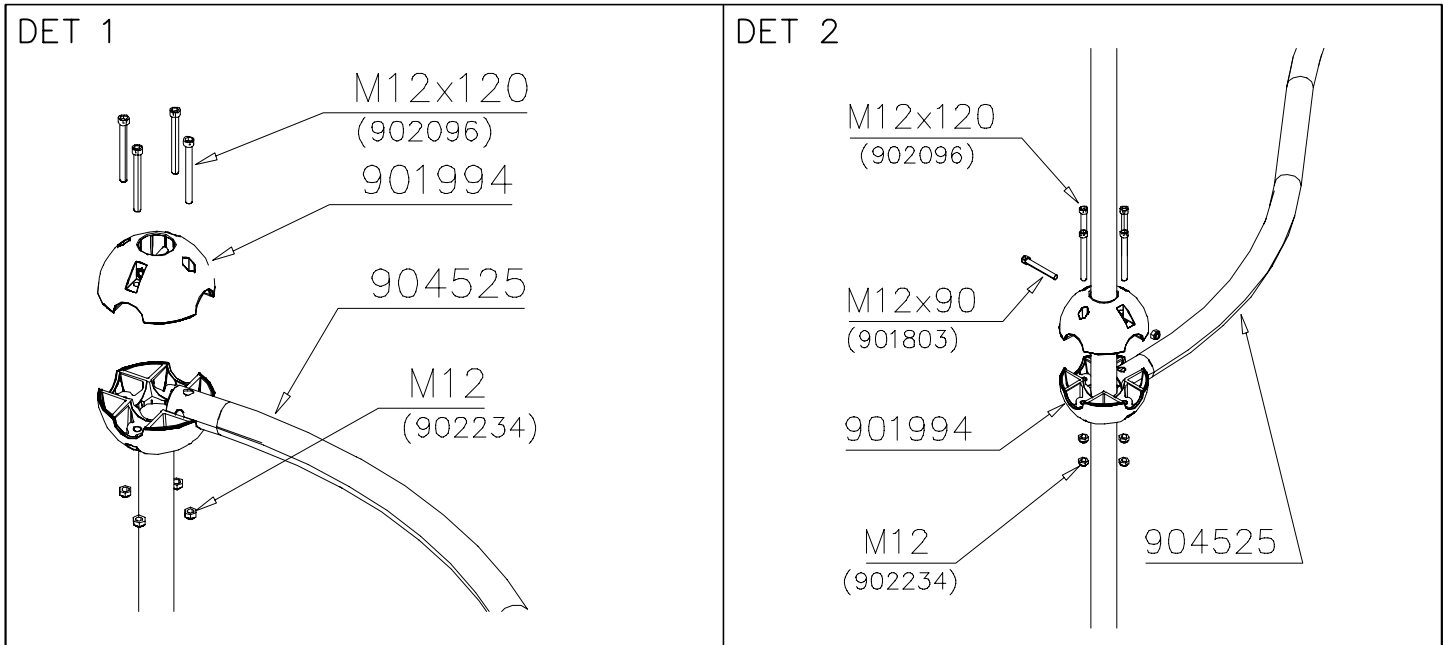
- EntfernenSiezunächstSchmutzundFeuchtigkeitvomlackiertenMetallbzw.vonderHolzoberflächeundbringenSiedenAufkleber wie im Bild oben rechts beschrieben auf den gesäuberten Untergrund auf.
- Beachten Sie: Bringen Sie den Aufkleber nicht auf raues laminiertes oder lackiertes Holz an.



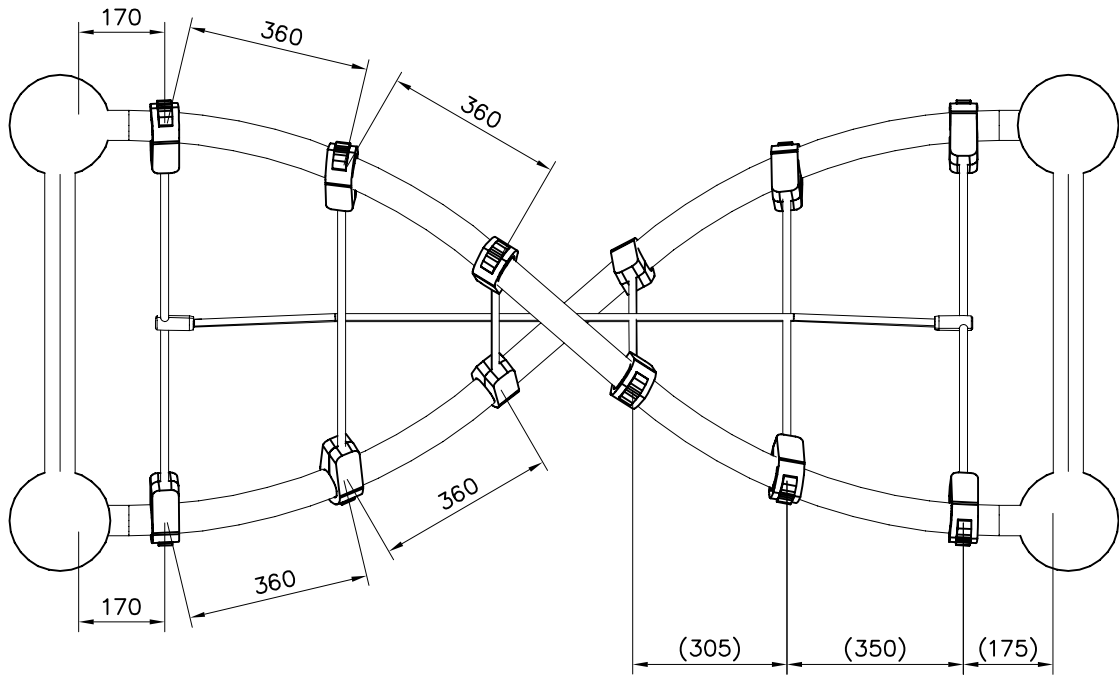
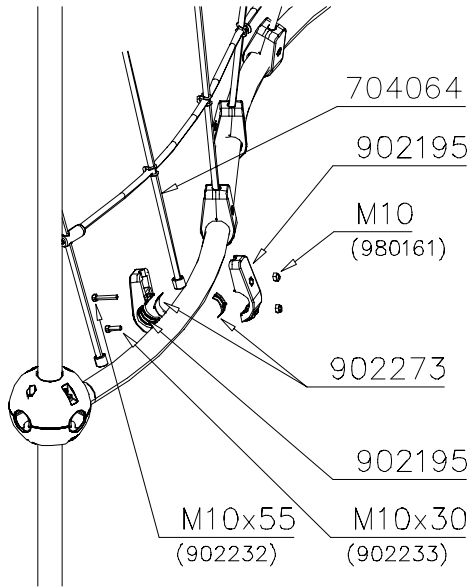
OR / TAI

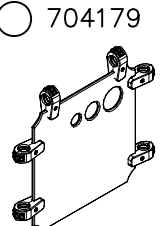
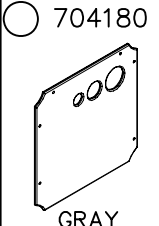
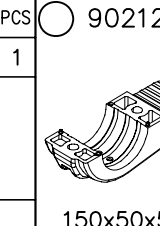
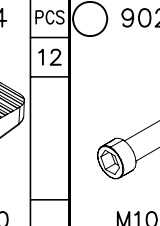
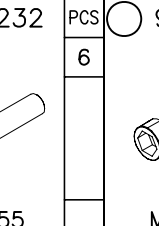
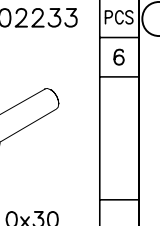
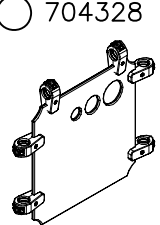
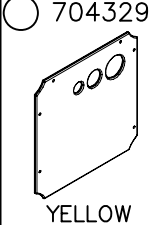
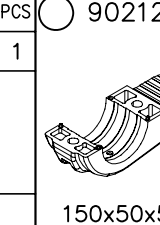
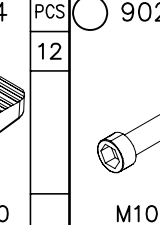
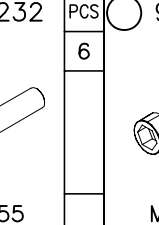
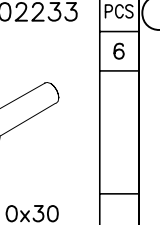
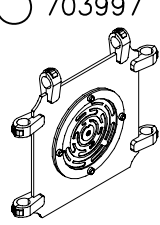
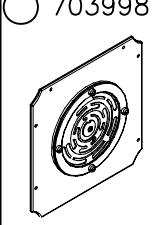
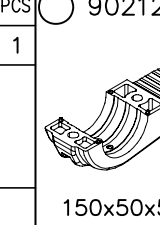
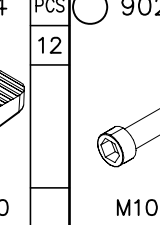
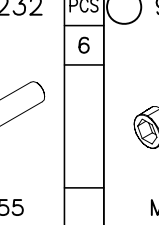
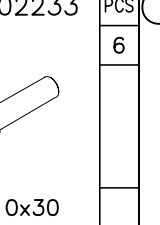
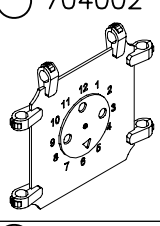
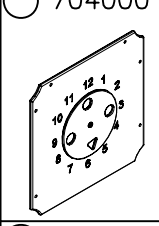
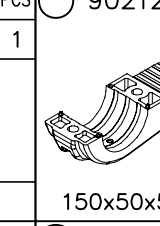
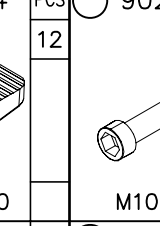
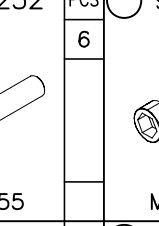
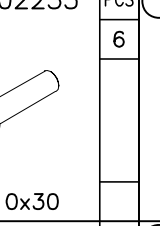
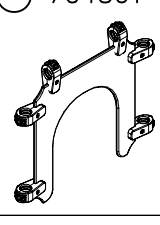
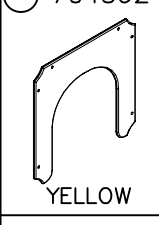
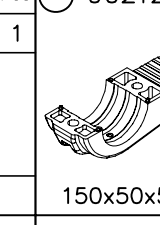
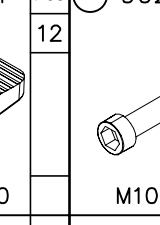
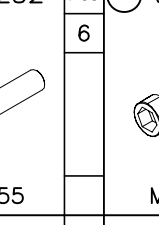
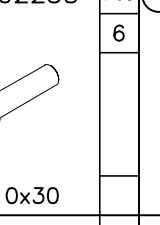


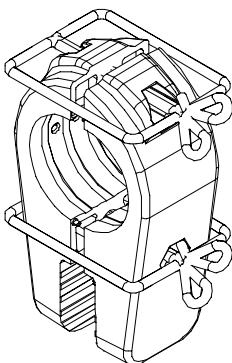
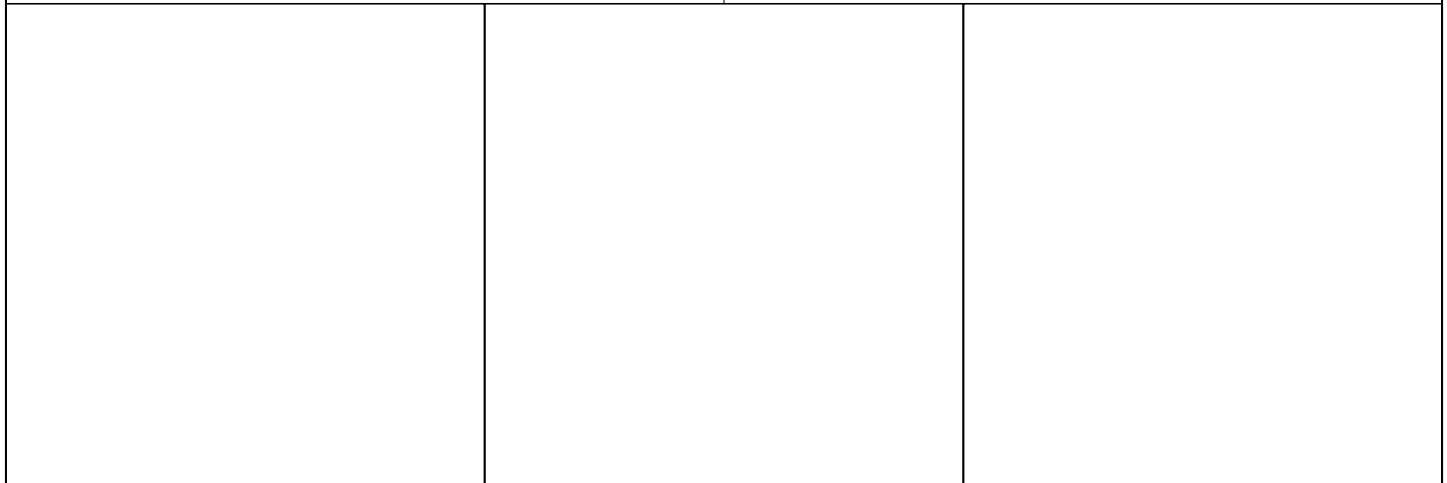
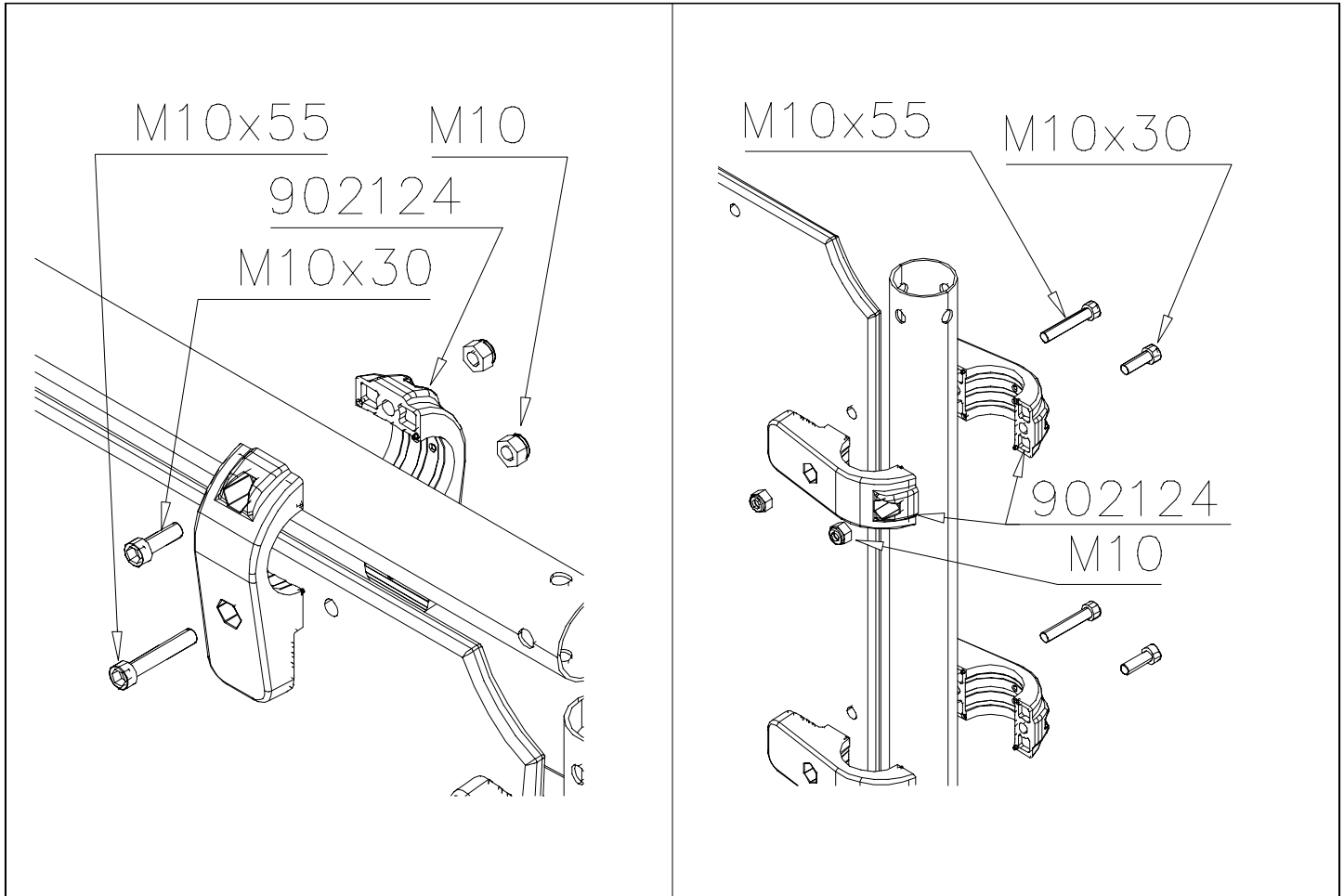
① 704064	PCS	② 902195	PCS
	1		24
		150x50x50	
③ 902232	PCS	④ 902233	PCS
	12		12
M10x55		M10x30	
⑤ 902273	PCS	⑥ 904525	PCS
	24		2
		Ø60x2.5	
⑦ 980161	PCS		PCS
	24		
M10			
	PCS		PCS
	PCS		PCS
	PCS		PCS
	PCS		PCS



DET 3



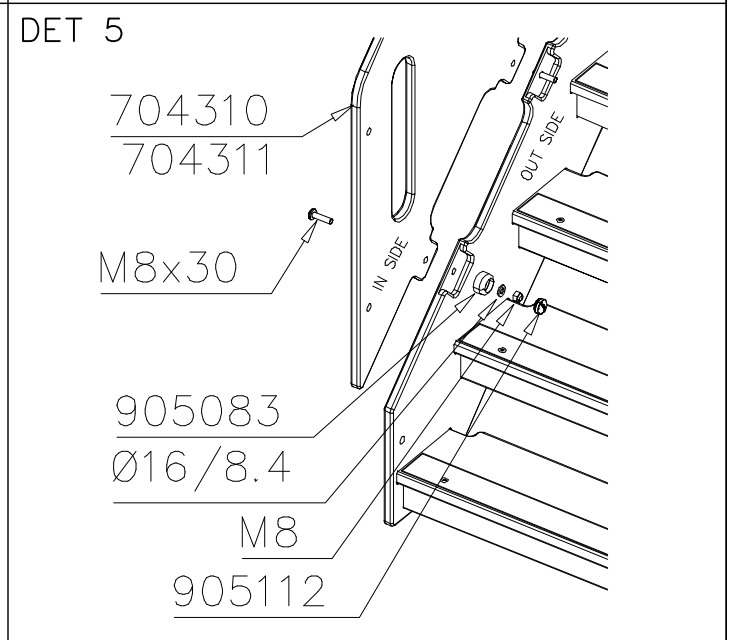
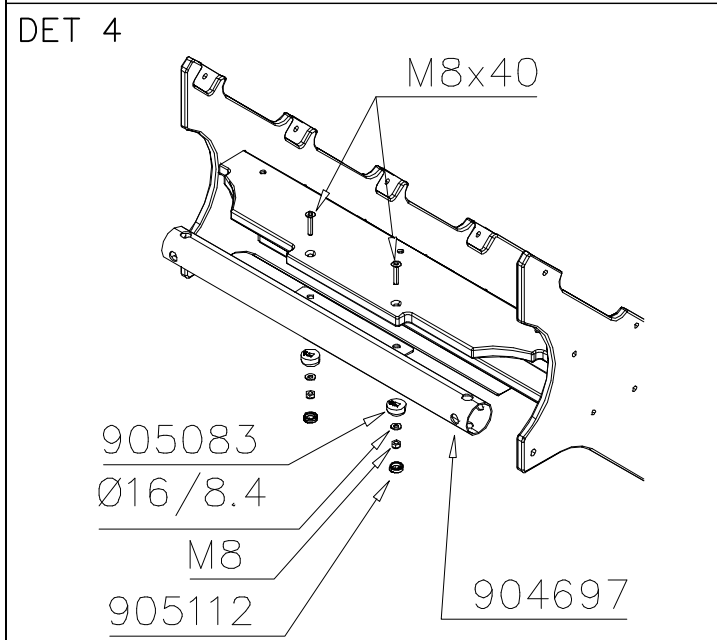
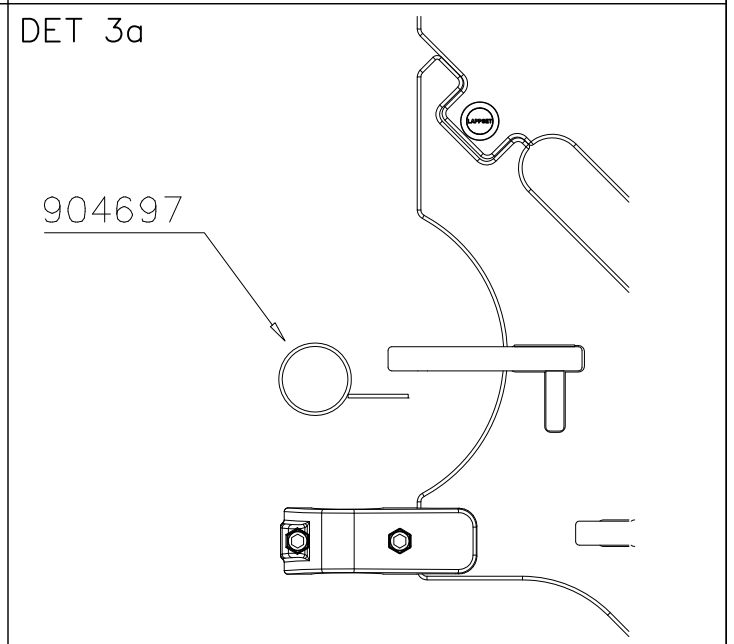
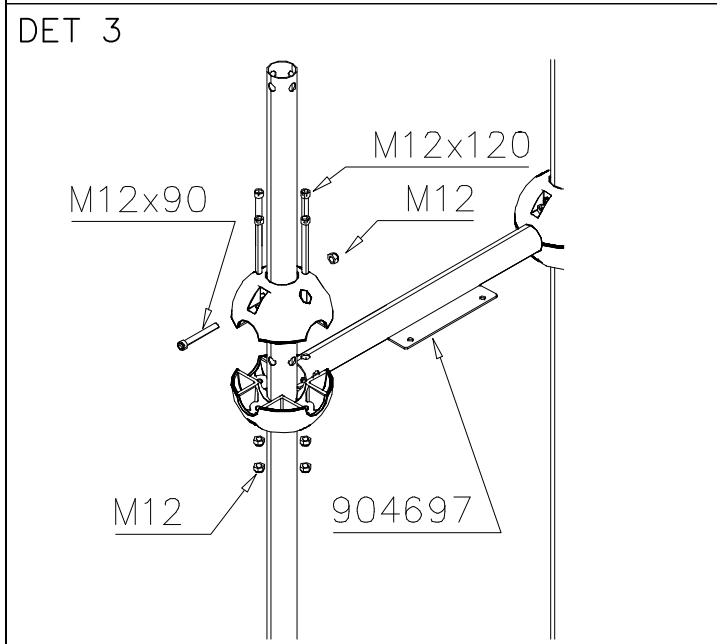
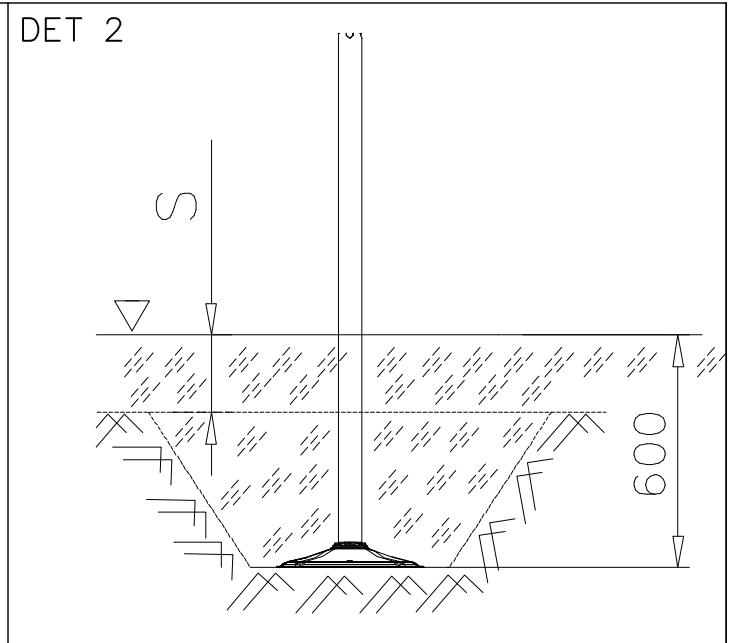
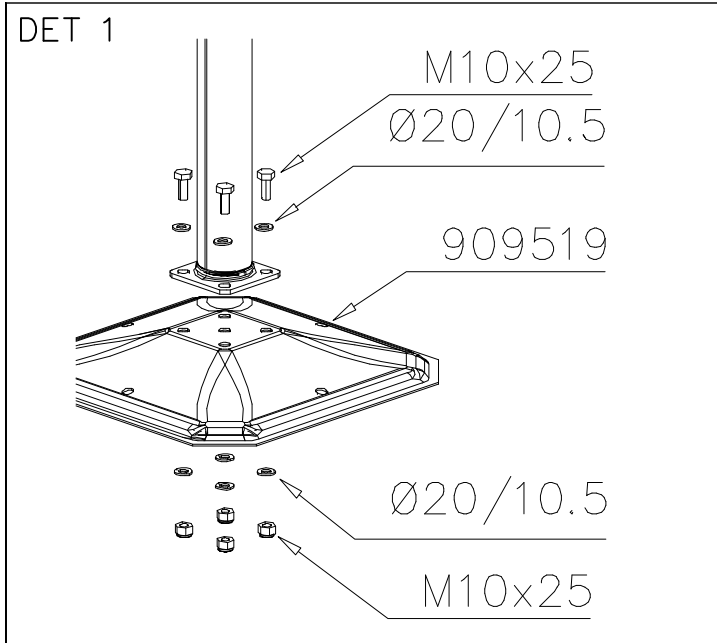
 <p>704179</p>	 <p>704180 GRAY</p>	<p>PCS</p> <p>1</p>	 <p>902124</p> <p>150x50x50</p>	<p>PCS</p> <p>12</p>	 <p>902232</p> <p>M10x55</p>	<p>PCS</p> <p>6</p>	 <p>902233</p> <p>M10x30</p>	<p>PCS</p> <p>6</p>	 <p>980161</p> <p>M10</p>	<p>PCS</p> <p>12</p>		<p>PCS</p>
 <p>704328</p>	 <p>704329 YELLOW</p>	<p>PCS</p> <p>1</p>	 <p>902124</p> <p>150x50x50</p>	<p>PCS</p> <p>12</p>	 <p>902232</p> <p>M10x55</p>	<p>PCS</p> <p>6</p>	 <p>902233</p> <p>M10x30</p>	<p>PCS</p> <p>6</p>	 <p>980161</p> <p>M10</p>	<p>PCS</p> <p>12</p>		<p>PCS</p>
 <p>703997</p>	 <p>703998</p>	<p>PCS</p> <p>1</p>	 <p>902124</p> <p>150x50x50</p>	<p>PCS</p> <p>12</p>	 <p>902232</p> <p>M10x55</p>	<p>PCS</p> <p>6</p>	 <p>902233</p> <p>M10x30</p>	<p>PCS</p> <p>6</p>	 <p>980161</p> <p>M10</p>	<p>PCS</p> <p>12</p>		<p>PCS</p>
 <p>704002</p>	 <p>704000</p>	<p>PCS</p> <p>1</p>	 <p>902124</p> <p>150x50x50</p>	<p>PCS</p> <p>12</p>	 <p>902232</p> <p>M10x55</p>	<p>PCS</p> <p>6</p>	 <p>902233</p> <p>M10x30</p>	<p>PCS</p> <p>6</p>	 <p>980161</p> <p>M10</p>	<p>PCS</p> <p>12</p>		<p>PCS</p>
 <p>704361</p>	 <p>704362 YELLOW</p>	<p>PCS</p> <p>1</p>	 <p>902124</p> <p>150x50x50</p>	<p>PCS</p> <p>12</p>	 <p>902232</p> <p>M10x55</p>	<p>PCS</p> <p>6</p>	 <p>902233</p> <p>M10x30</p>	<p>PCS</p> <p>6</p>	 <p>980161</p> <p>M10</p>	<p>PCS</p> <p>12</p>		<p>PCS</p>
		<p>PCS</p>		<p>PCS</p>		<p>PCS</p>		<p>PCS</p>		<p>PCS</p>		<p>PCS</p>
		<p>PCS</p>		<p>PCS</p>		<p>PCS</p>		<p>PCS</p>		<p>PCS</p>		<p>PCS</p>
		<p>PCS</p>		<p>PCS</p>		<p>PCS</p>		<p>PCS</p>		<p>PCS</p>		<p>PCS</p>



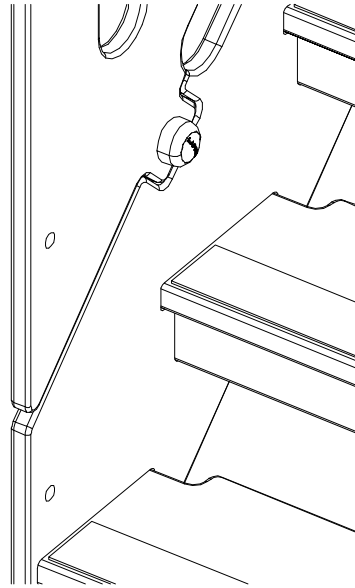
NOTE:
 Use a wire marked pairs
 of the same junction.

Huom!
 Käytä langalla merkittyä
 paria samassa liitoksessa.

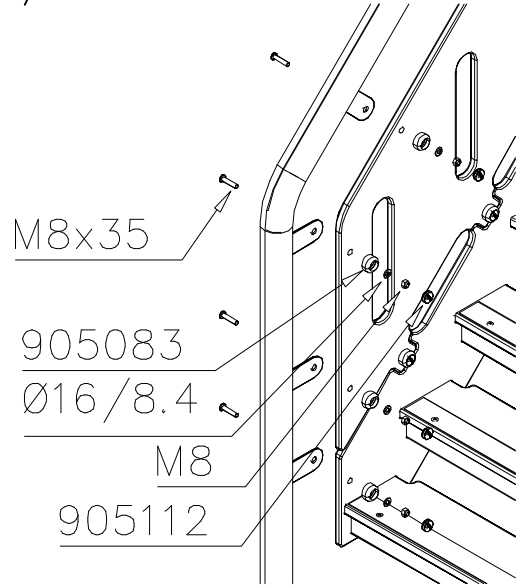
				<p>① 704309 PCS 1</p>	<p>② 704310 PCS 1</p> <p>LEFT</p>			
				<p>③ 704311 PCS 1</p> <p>RIGHT</p>	<p>④ 902124 PCS 12</p> <p>150x50x50</p>			
				<p>⑤ 902232 PCS 6</p> <p>M10x55</p>	<p>⑥ 902233 PCS 6</p> <p>M10x30</p>			
				<p>⑦ 904068 PCS 2</p> <p>M8x40</p>	<p>⑧ 904697 PCS 1</p> <p>Ø60.3x2.9x710</p>			
				<p>⑨ 904760 PCS 1</p> <p>LEFT</p>	<p>⑩ 904761 PCS 1</p> <p>RIGHT</p>			
				<p>⑪ 905083 PCS 20</p> <p>Ø32</p>	<p>⑫ 905112 PCS 20</p> <p>Ø22</p>			
				<p>⑬ 909256 PCS 20</p> <p>Ø16/8.4x1.6</p>	<p>⑭ 909519 PCS 2</p> <p>50x380x380</p>	<p>⑮ 909637 PCS 8</p> <p>M10</p>	<p>⑯ 909638 PCS 16</p> <p>Ø20/10.5</p>	
				<p>⑰ 909639 PCS 8</p> <p>M10x25</p>	<p>⑱ 909852 PCS 8</p> <p>M8x30</p>	<p>⑲ 909855 PCS 10</p> <p>M8x35</p>	<p>⑳ 980160 PCS 20</p> <p>M8</p>	<p>㉑ 980161 PCS 12</p> <p>M10</p>



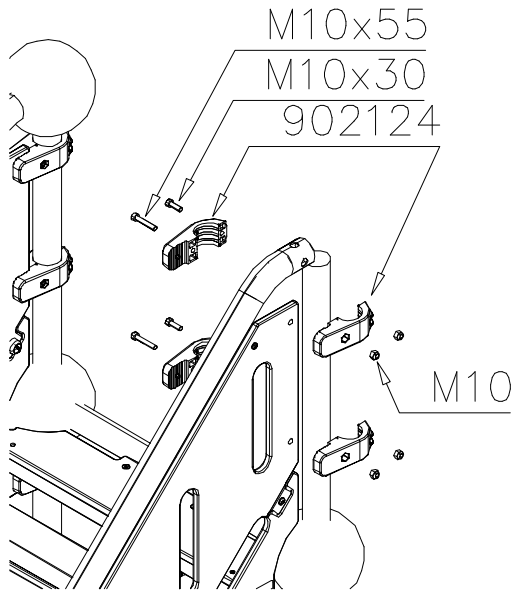
DET 6



DET 7



DET 8

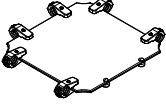
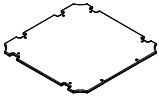
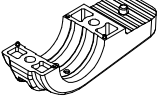
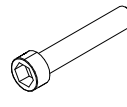
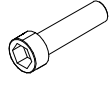
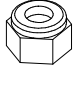
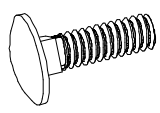
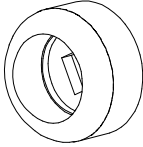

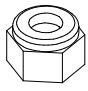
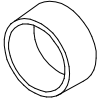
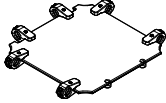
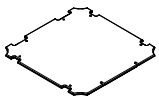
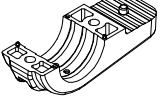
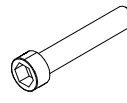
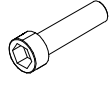
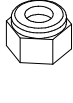
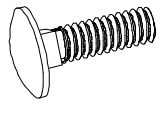
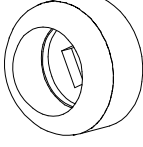

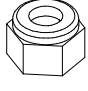
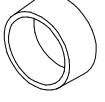
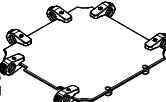
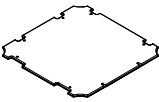
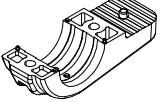
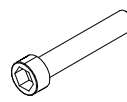
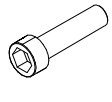
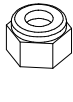
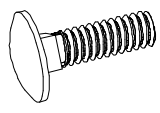
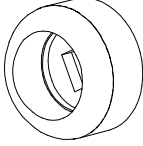

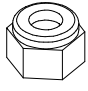
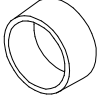


LAPPSET® FLOOR (SLIDE)

CLOXX

DATE: 3.10.2013

1(3)

○ 704432 	○ 704038 	PCS 1	○ 902124  150x50x50	PCS 12	○ 902232  M10x55	PCS 6	○ 902233  M10x30	PCS 6	○ 980161  M10	PCS 12		PCS
		PCS	○ 909109  M12x40	PCS 2	○ 905090  Ø45	PCS 2	○ 980154  Ø24/13	PCS 2	○ 909248  M12	PCS 2	○ 905115  Ø32	PCS 2
		PCS		PCS		PCS		PCS		PCS		PCS
○ 704447 	○ 704446 	PCS 1	○ 902124  150x50x50	PCS 12	○ 902232  M10x55	PCS 6	○ 902233  M10x30	PCS 6	○ 980161  M10	PCS 12		PCS
		PCS	○ 909109  M12x40	PCS 2	○ 905090  Ø45	PCS 2	○ 980154  Ø24/13	PCS 2	○ 909248  M12	PCS 2	○ 905115  Ø32	PCS 2
		PCS		PCS		PCS		PCS		PCS		PCS
○ 704666 	○ 704667 	PCS 1	○ 902124  150x50x50	PCS 12	○ 902232  M10x55	PCS 6	○ 902233  M10x30	PCS 6	○ 980161  M10	PCS 12		PCS
		PCS	○ 909109  M12x40	PCS 2	○ 905090  Ø45	PCS 2	○ 980154  Ø24/13	PCS 2	○ 909248  M12	PCS 2	○ 905115  Ø32	PCS 2
		PCS		PCS		PCS		PCS		PCS		PCS

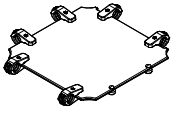
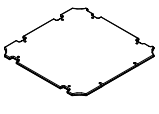
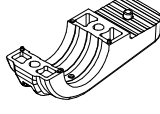
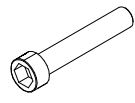
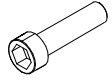
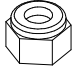
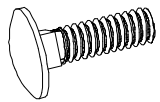
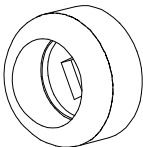
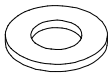

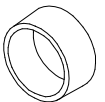
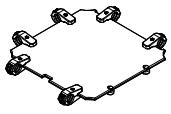
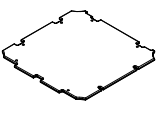
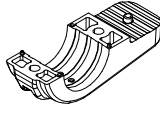
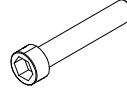
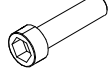
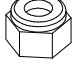
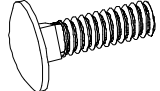
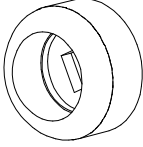

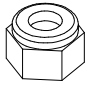
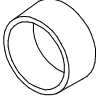
LAPPSET®

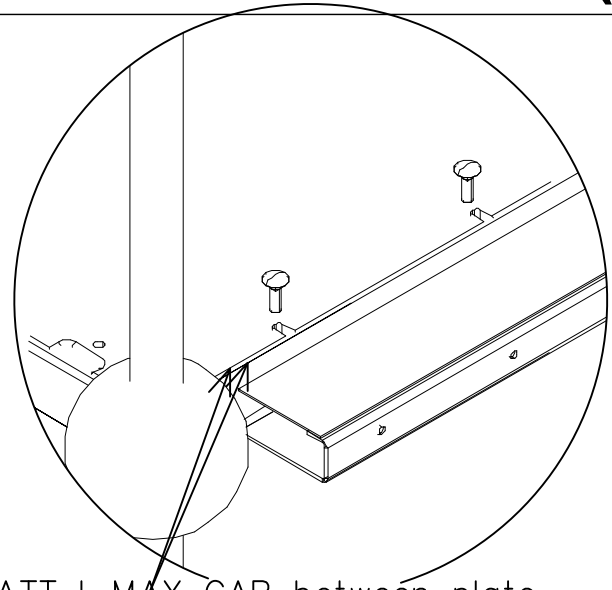
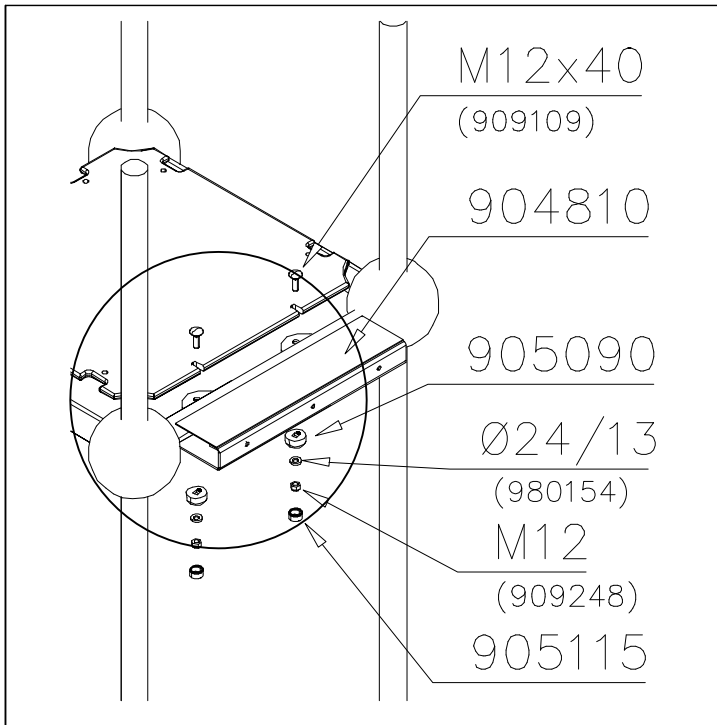
FLOOR (SLIDE)

CLOXX

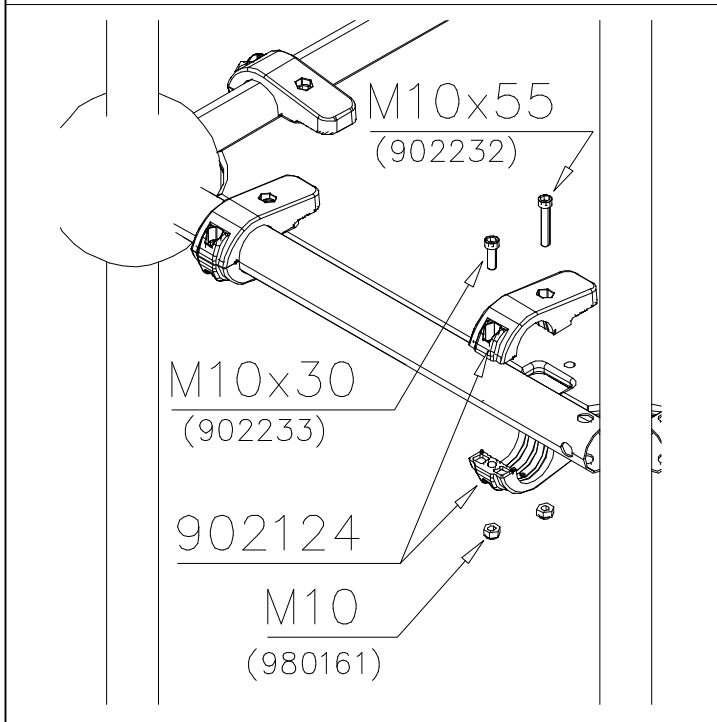
DATE: 3.10.2013

2(3)

○ 704684 	○ 704685 	PCS 1	○ 902124  150x50x50	PCS 12	○ 902232  M10x55	PCS 6	○ 902233  M10x30	PCS 6	○ 980161  M10	PCS 12		PCS
		PCS	○ 909109  M12x40	PCS 2	○ 905090  Ø45	PCS 2	○ 980154  Ø24/13	PCS 2	○ 909248  M12	PCS 2	○ 905115  Ø32	PCS 2
		PCS		PCS		PCS		PCS		PCS		PCS
○ 704692 	○ 704693 	PCS 1	○ 902124  150x50x50	PCS 12	○ 902232  M10x55	PCS 6	○ 902233  M10x30	PCS 6	○ 980161  M10	PCS 12		PCS
		PCS	○ 909109  M12x40	PCS 2	○ 905090  Ø45	PCS 2	○ 980154  Ø24/13	PCS 2	○ 909248  M12	PCS 2	○ 905115  Ø32	PCS 2
		PCS		PCS		PCS		PCS		PCS		PCS
		PCS		PCS		PCS		PCS		PCS		PCS
		PCS		PCS		PCS		PCS		PCS		PCS

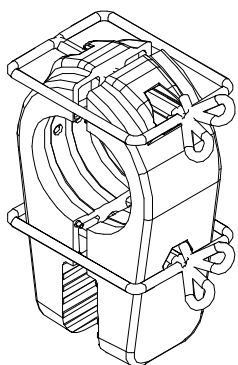
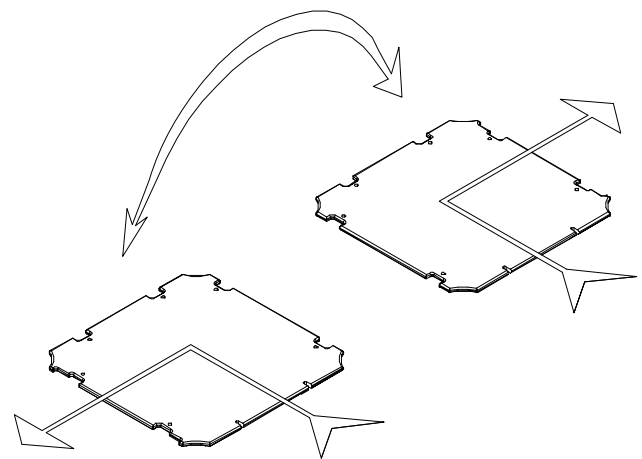


ATT ! MAX GAP between plate
and tube is 6mm
 HUOM ! MAKSIMI VÄLI lattialevyllä
ja putkella on 6mm



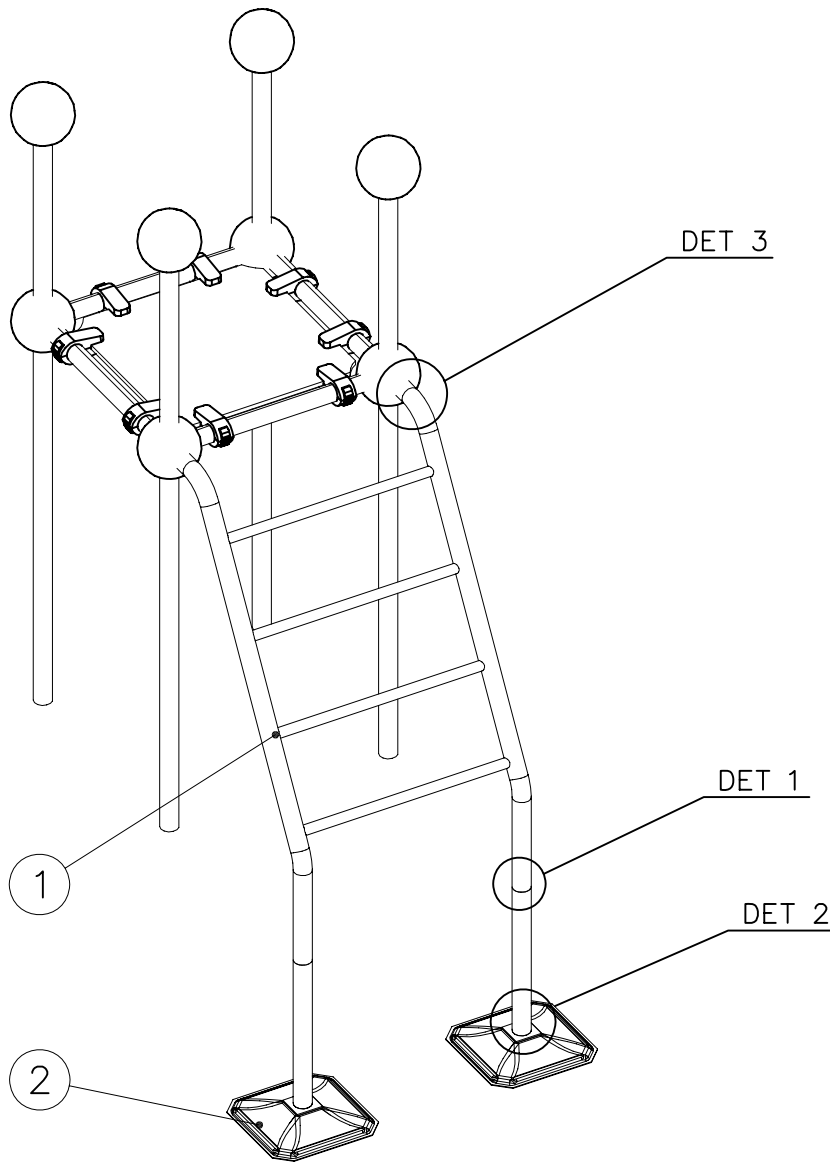
KÄYTÄ TARVITTAESSA SAMAA LEVYÄ
VASEMALLE TAI OIKEALLE.

IF NECESSARY USE SAME PLATE LEFT
OR RIGHT.

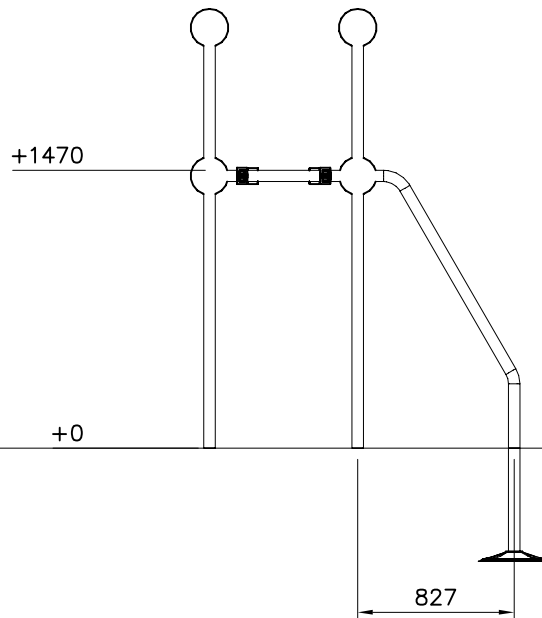
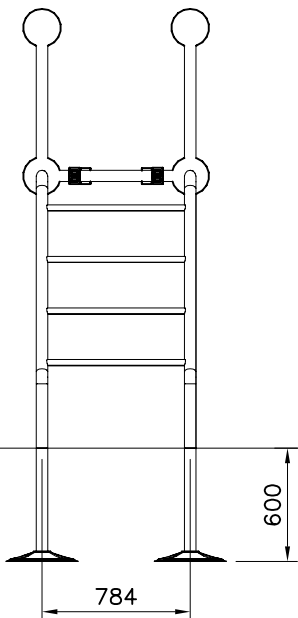


NOTE:
Use a wire marked pairs
of the same junction.

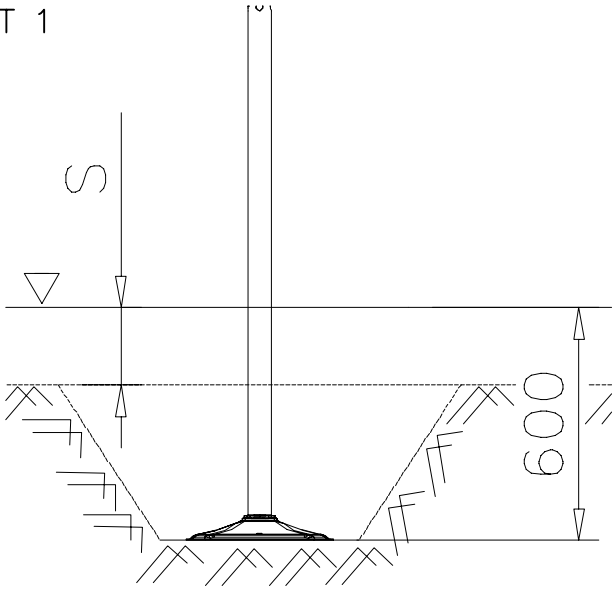
Huom!
Käytä langalla merkittyä
paria samassa liitoksessa.



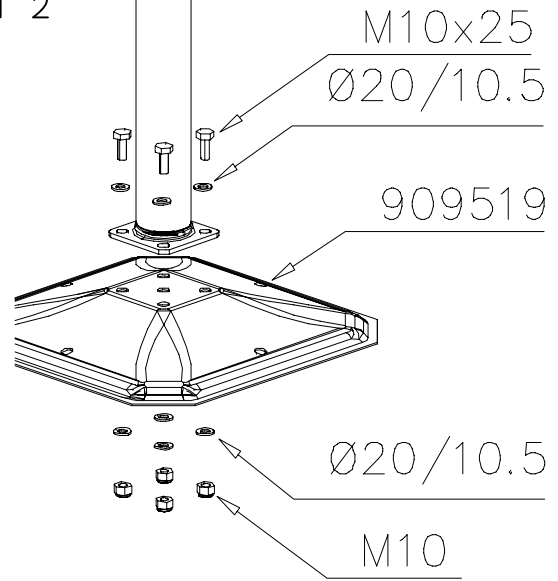
① 904493	PCS	② 909519	PCS
	1		2
		50x380x380	
③ 909637	PCS	④ 909638	PCS
	8		16
M10		Ø20/10.5	
⑤ 909639	PCS		PCS
	8		
M10x25			
	PCS		PCS
	PCS		PCS



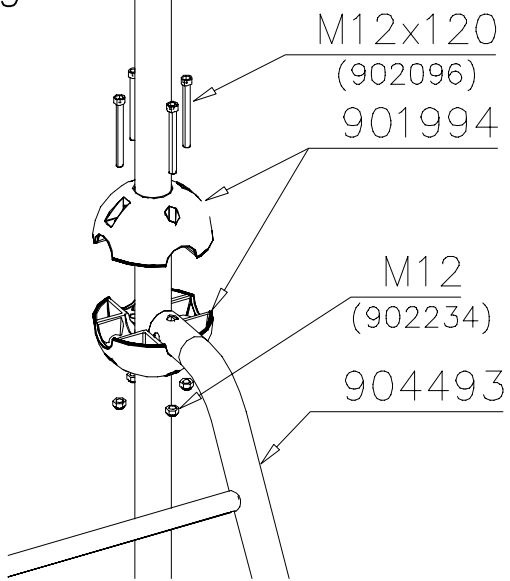
DET 1

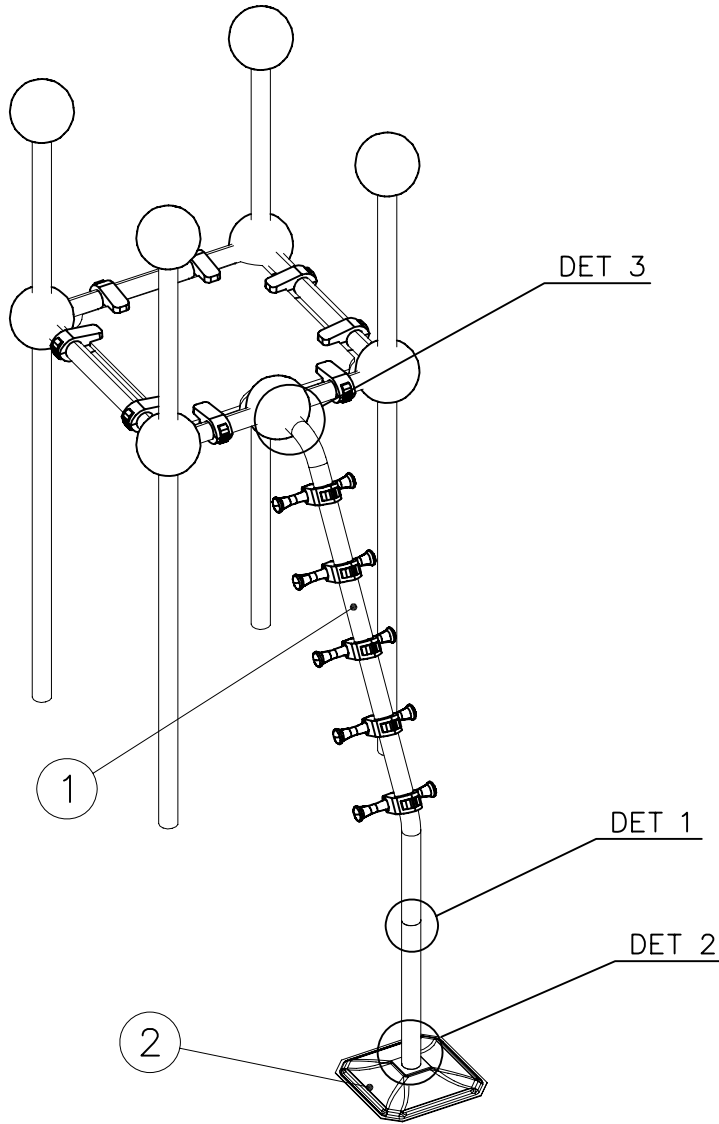



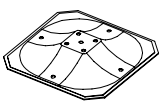
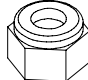
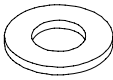
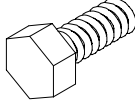
DET 2

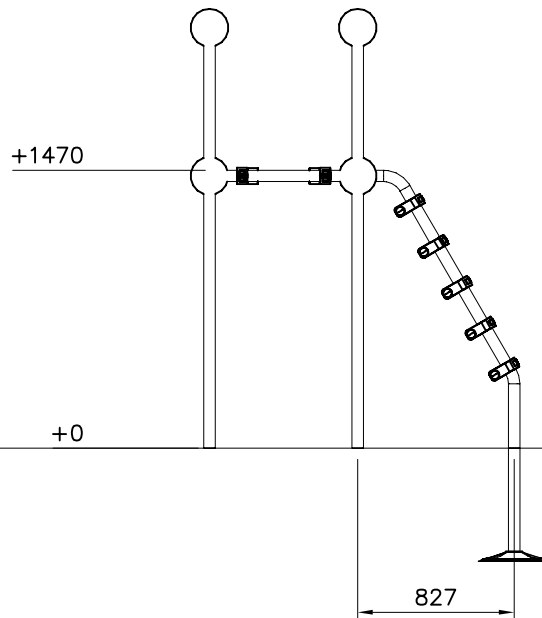
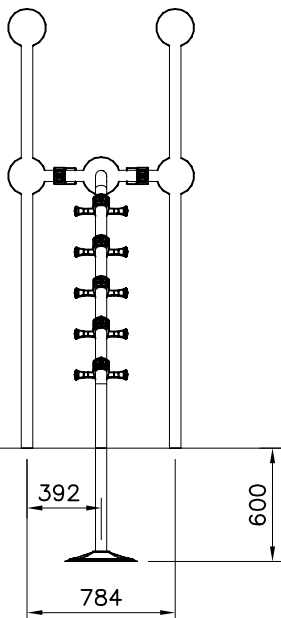


DET 3

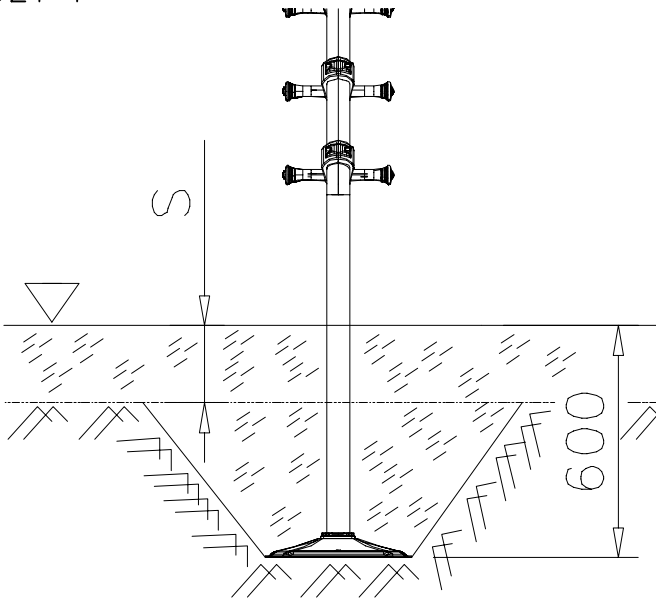




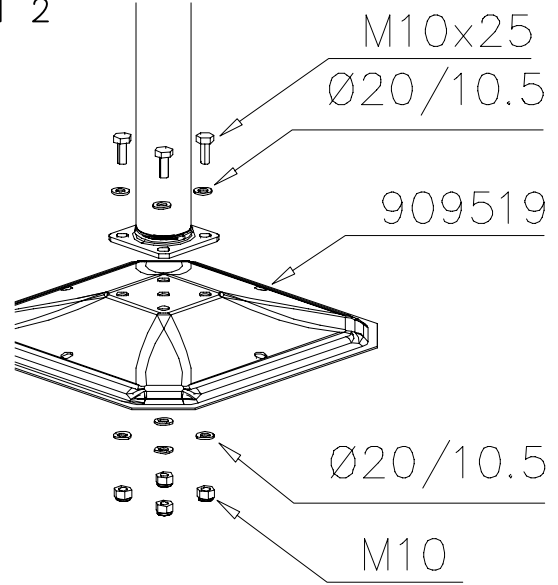
① 704439	PCS	② 909519	PCS
	1		1
		50x380x380	
③ 909637	PCS	④ 909638	PCS
	4		8
M10		Ø20/10.5	
⑤ 909639	PCS		PCS
	4		
M10x25			
	PCS		PCS
	PCS		PCS



DET 1



DET 2



DET 3

