

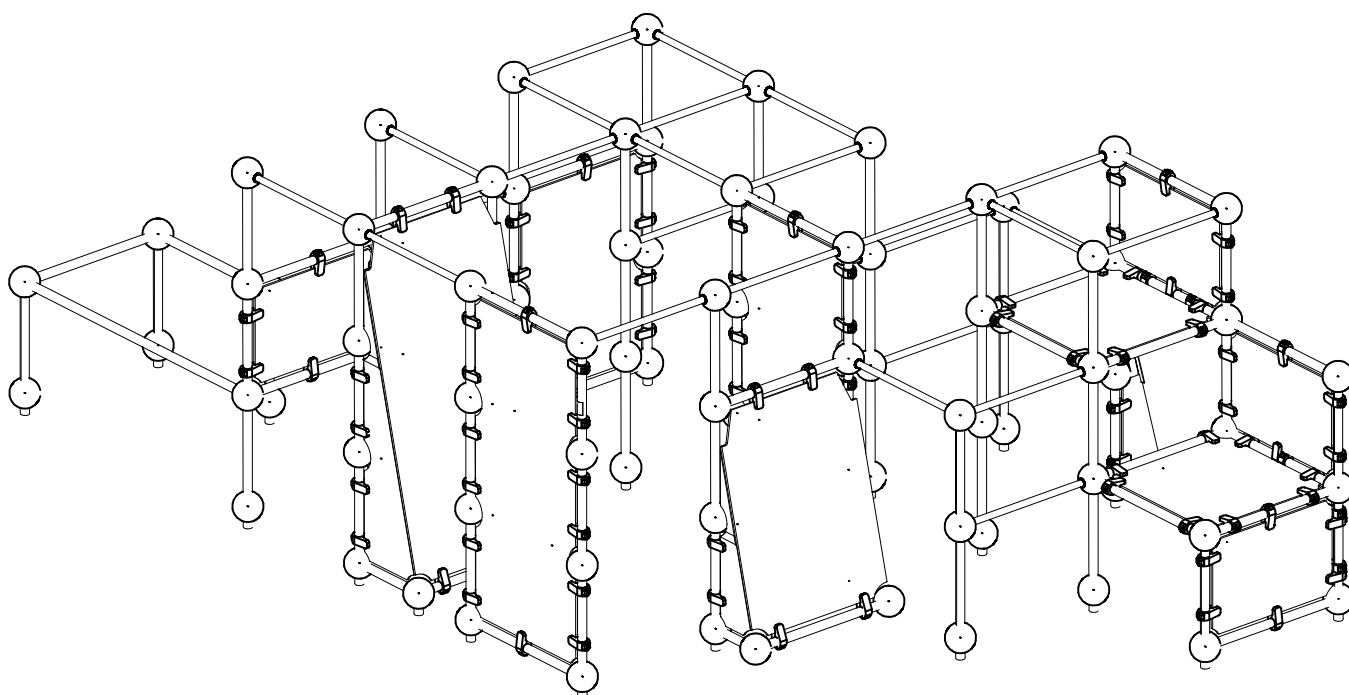
LAPPSET®

PARKOUR

ASENNUSOHJE
MONTERINGSANSVISNING
INSTALLATION INSTRUCTION
AUFBAUANLEITUNG
NOTICE D'INSTALLATION

DATE: 23.2.2015

220526



DATE: 23.2.2015

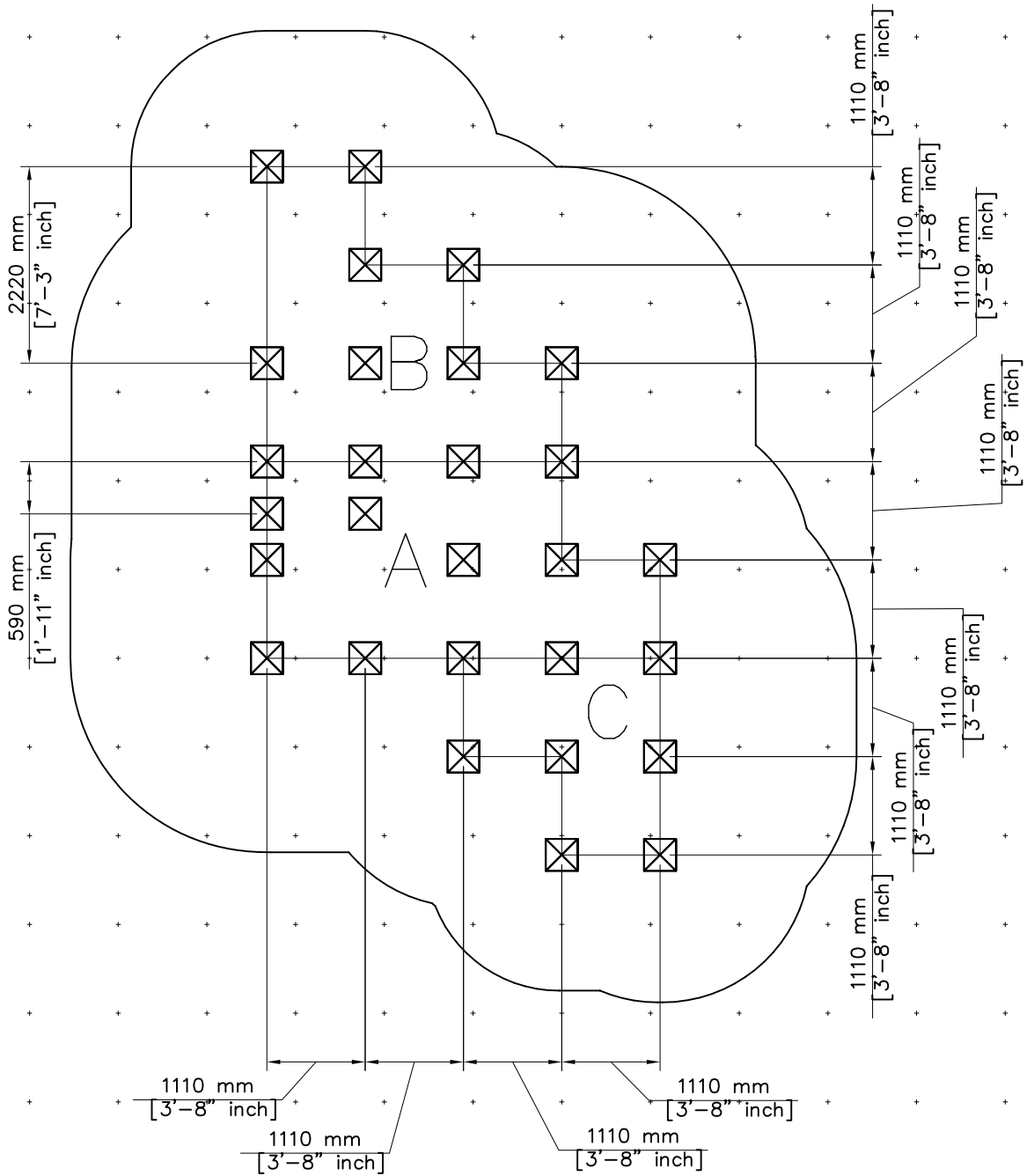
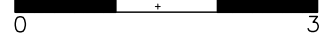
<p>701985</p> <p>PCS 28</p>	<p>702341</p> <p>PCS 1</p> <p>90x50</p>	<p>703456</p> <p>PCS 1</p>	<p>703459</p> <p>PCS 1</p>	<p>703479</p> <p>PCS 1</p>	<p>703480</p> <p>PCS 1</p>
<p>703484</p> <p>PCS 1</p>	<p>703486</p> <p>PCS 2</p>	<p>703487</p> <p>PCS 3</p>	<p>703898</p> <p>PCS 1</p>	<p>703899</p> <p>PCS 1</p>	<p>703902</p> <p>PCS 1</p>
<p>901991</p> <p>PCS 3</p> <p>L 1493</p>	<p>902022</p> <p>PCS 5</p> <p>L 710</p>	<p>902134</p> <p>PCS 97</p>	<p>904747</p> <p>PCS 298</p> <p>60x60x2</p>	<p>902424</p> <p>PCS 29</p> <p>L 1034</p>	<p>904015</p> <p>PCS 17</p> <p>Ø44.5x1034</p>
<p>904032</p> <p>PCS 18</p> <p>L 2278</p>	<p>904100</p> <p>PCS 54</p> <p>44.5-60.3</p>	<p>904102</p> <p>PCS 5</p> <p>Ø44.5x2148</p>	<p>904130</p> <p>PCS 1</p> <p>L 2148</p>	<p>904413</p> <p>PCS 4</p> <p>L 323</p>	<p>904414</p> <p>PCS 2</p> <p>L 515</p>
<p>PCS</p>	<p>PCS</p>	<p>PCS</p>	<p>PCS</p>	<p>PCS</p>	<p>PCS</p>
<p>PCS</p>	<p>PCS</p>	<p>PCS</p>	<p>PCS</p>	<p>PCS</p>	<p>PCS</p>
<p>PCS</p>	<p>PCS</p>	<p>PCS</p>	<p>PCS</p>	<p>PCS</p>	<p>PCS</p>

EN/AS Impact Area 72.7 m² (783 sq ft)

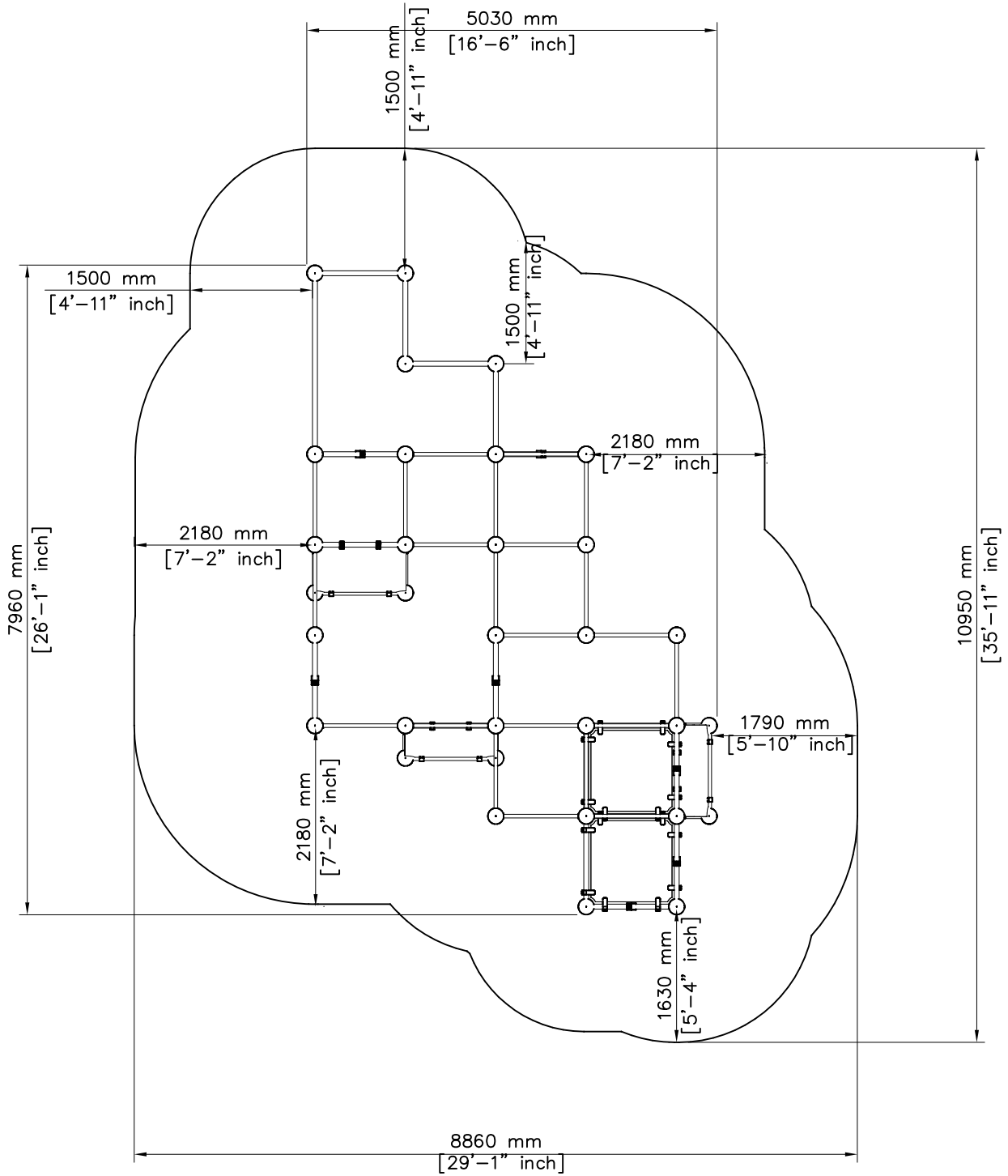
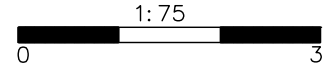
Falling Space Area 72.7 m² (783 sq ft)

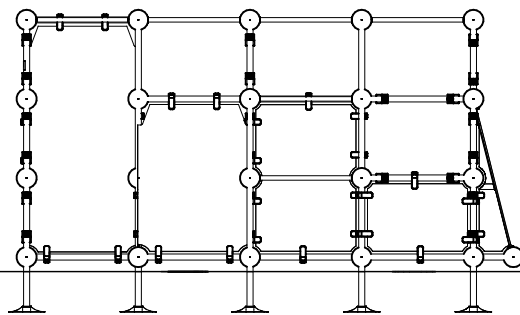
Grid size = 1000 mm (40" in)

1:75



- EN/AS Impact Area 72.7 m² (783 sq ft)
- - - - Falling Space Area 72.7 m² (783 sq ft)
- Max Falling Height 2530 mm (8'-4" in)





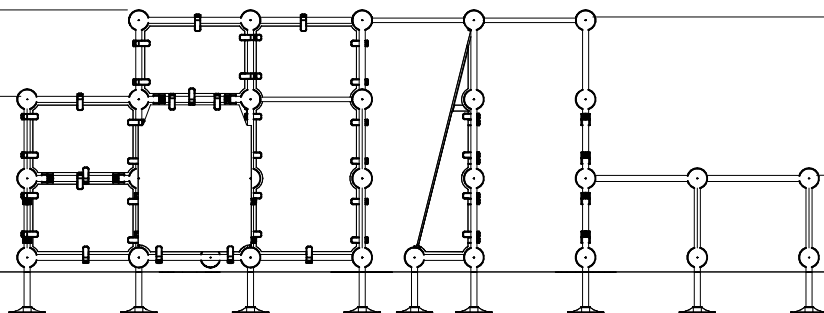
2600 mm
[8'-6" inch]

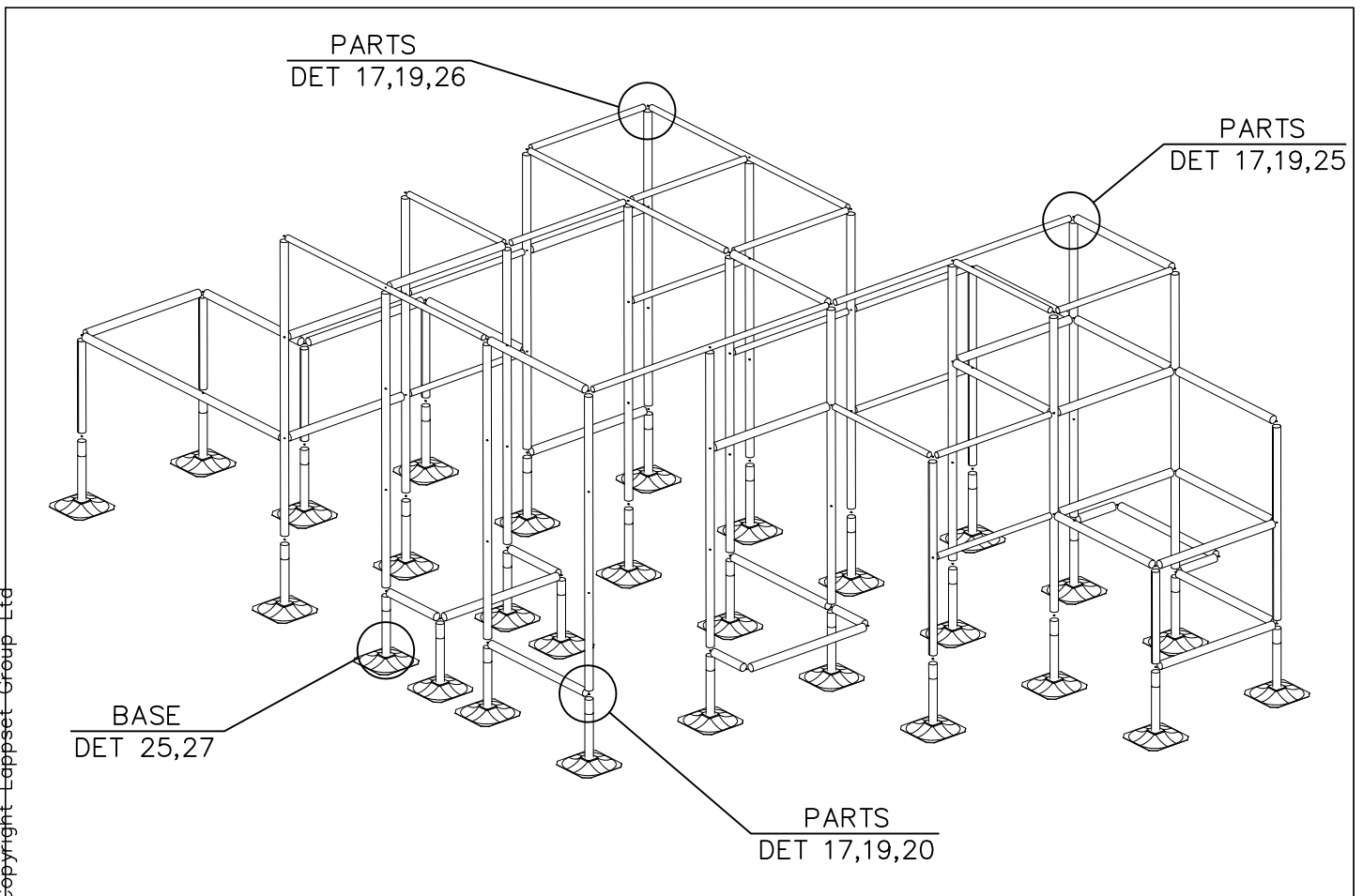
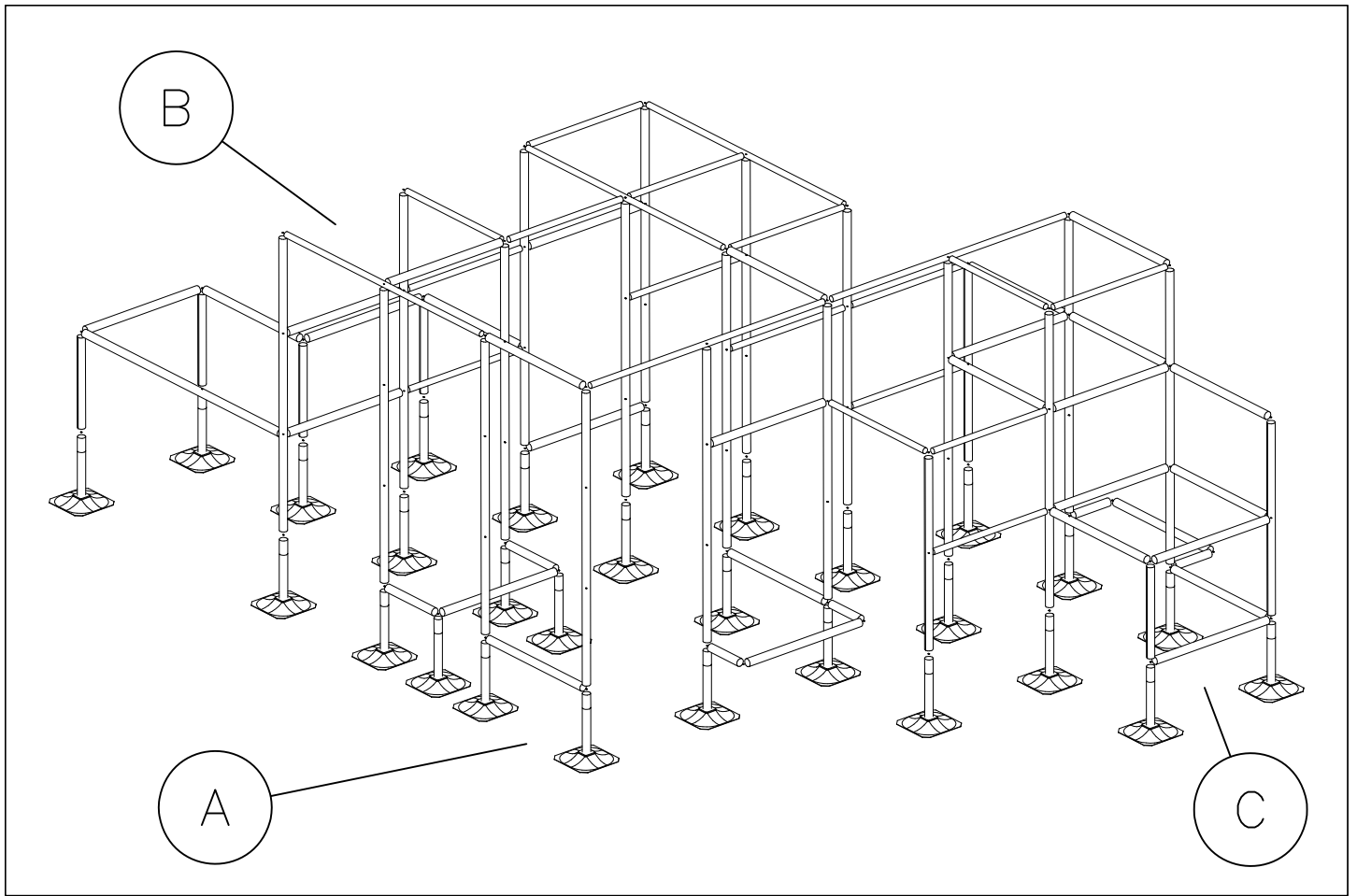
1740 mm
[5'-9" inch]

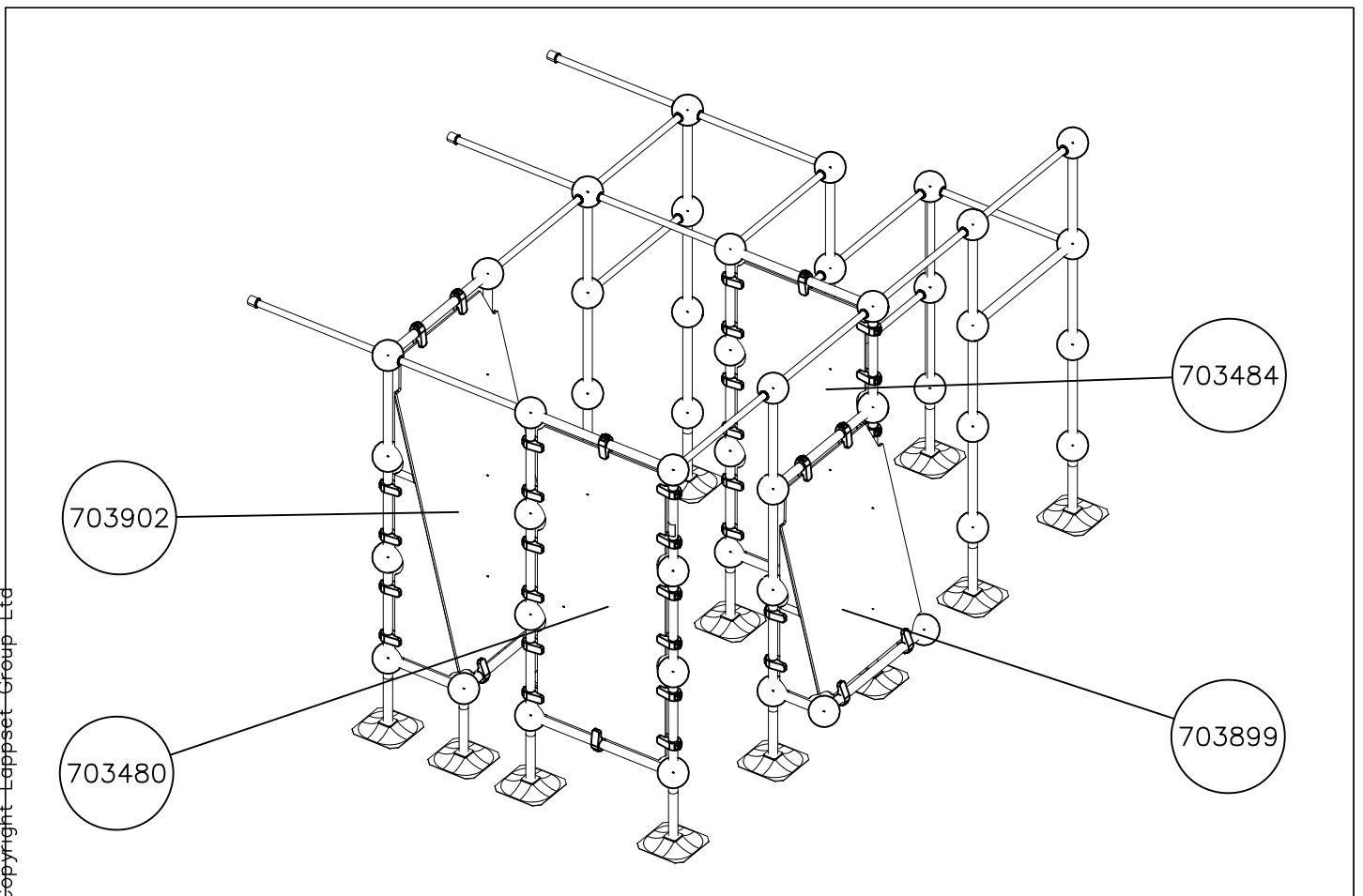
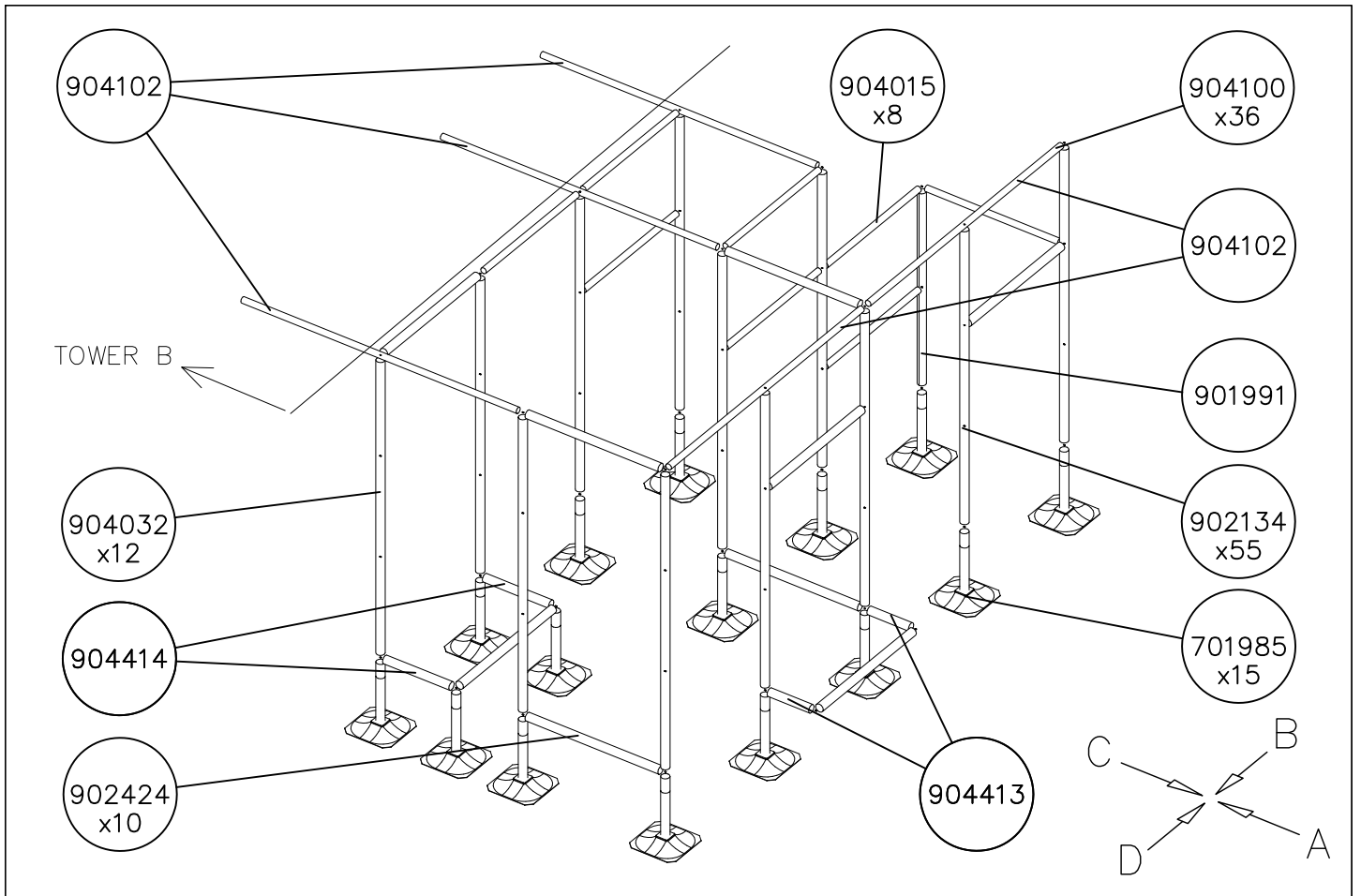
2530 mm
[8'-4" inch]

960 mm
[3'-2" inch]

0 mm
[0" inch]



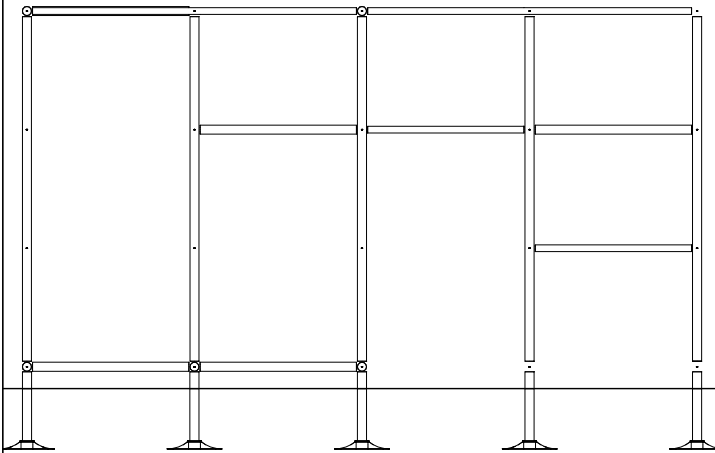




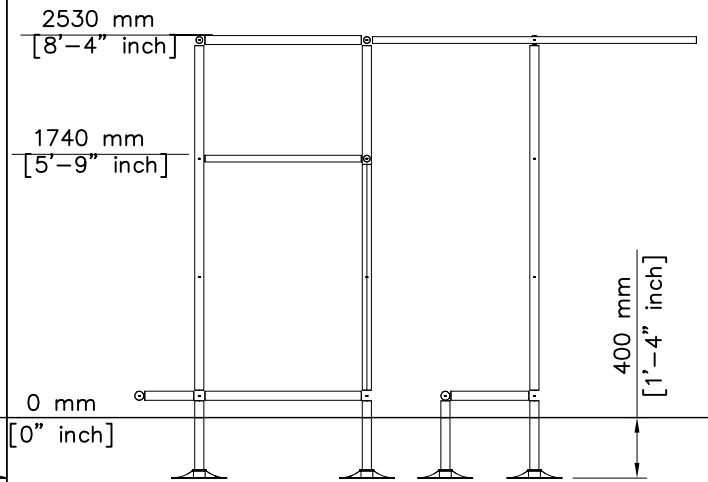
DATE: 23.2.2015

1:50

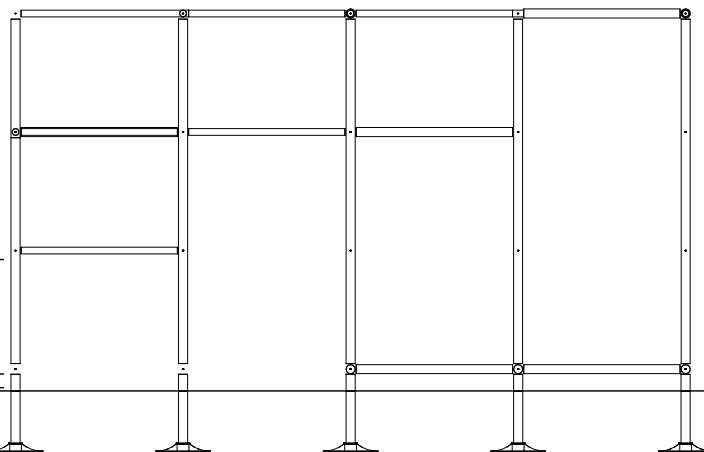
A



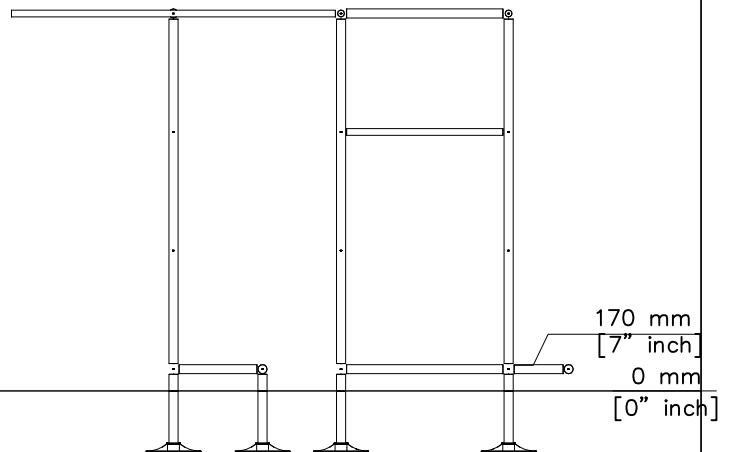
B

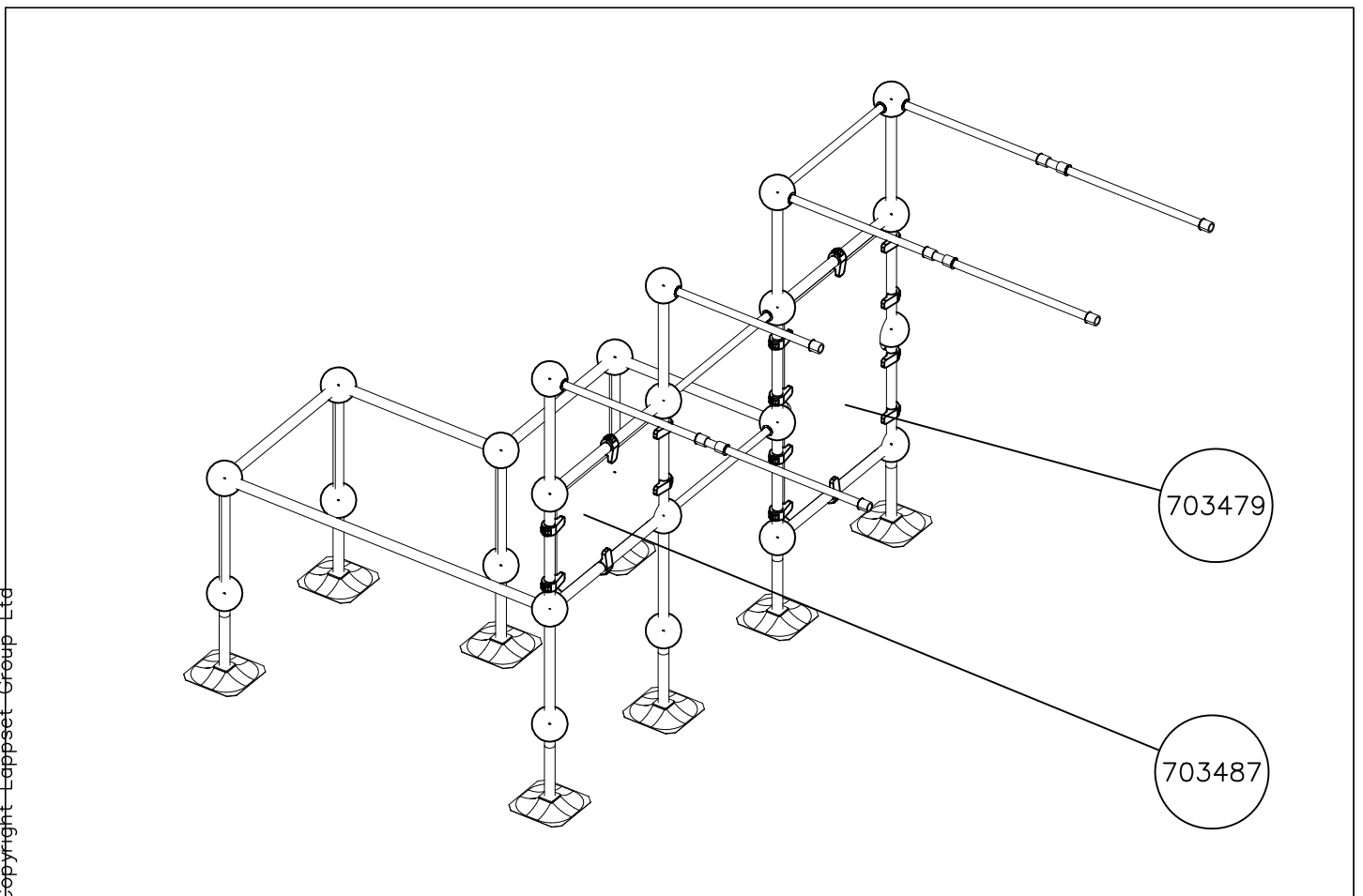
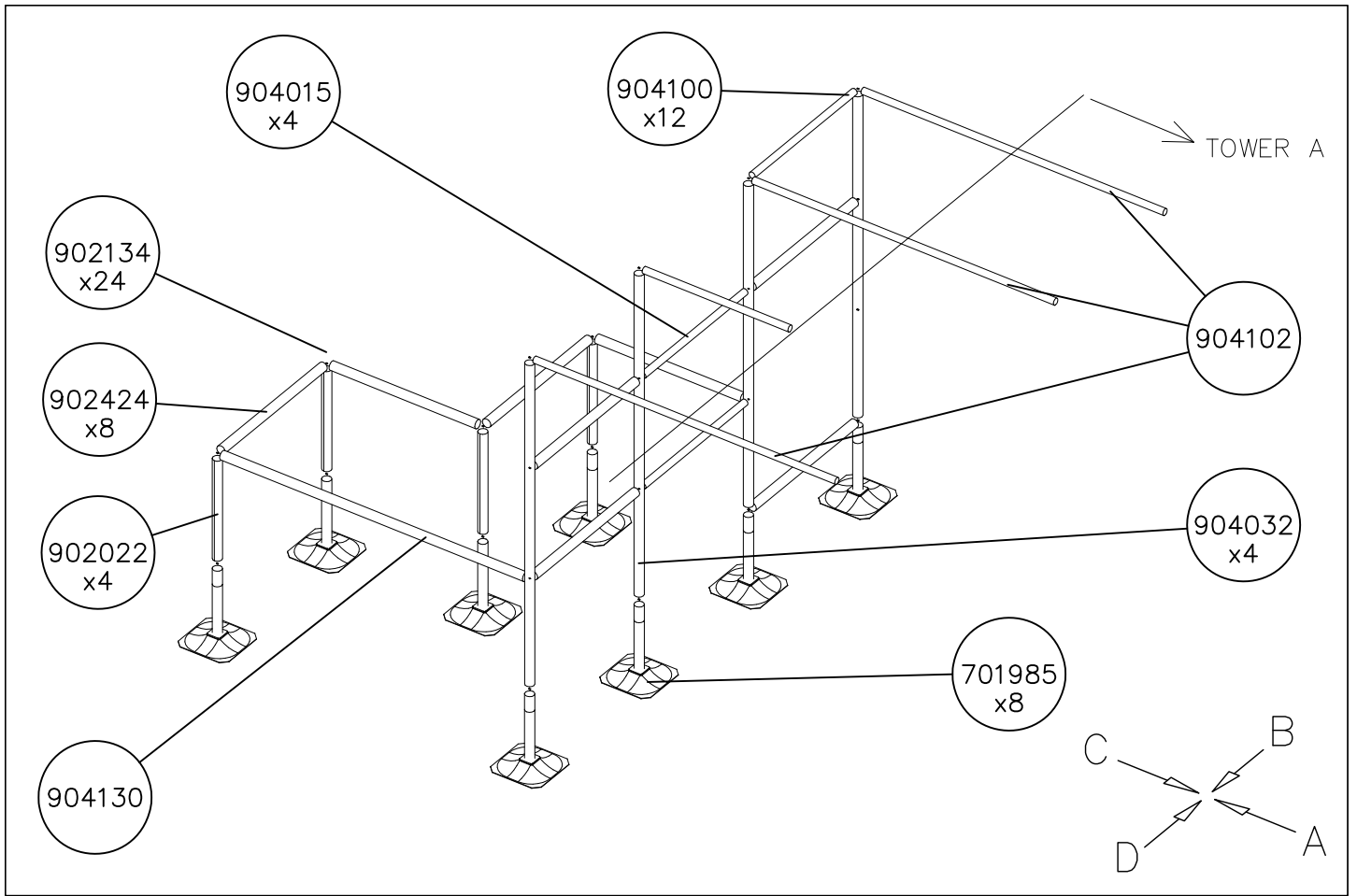


C



D



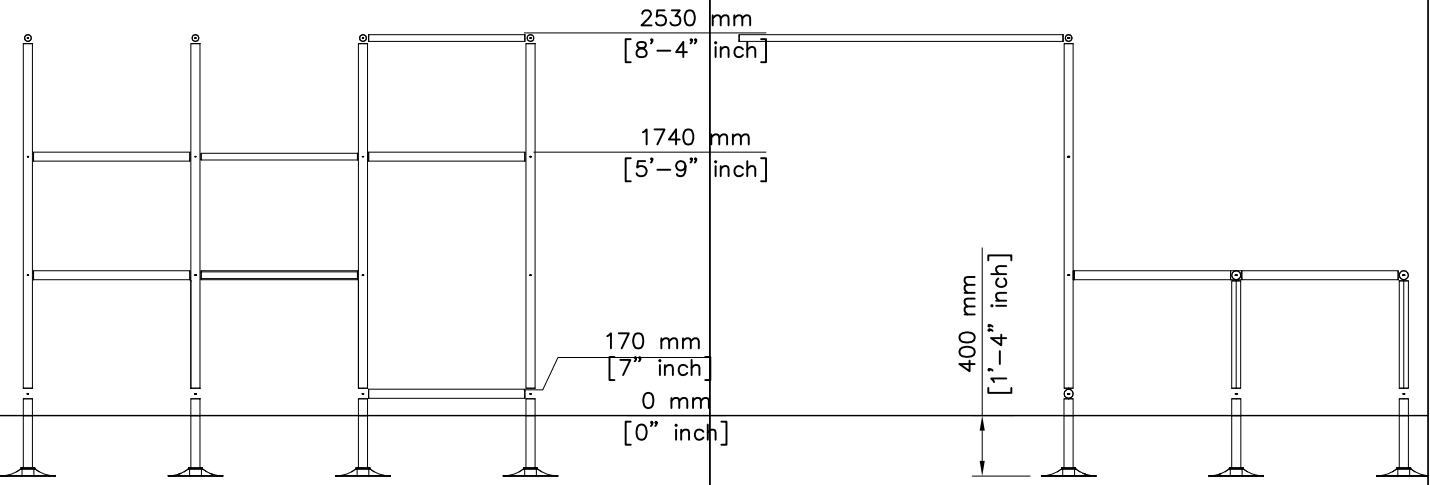


DATE: 23.2.2015

1:50

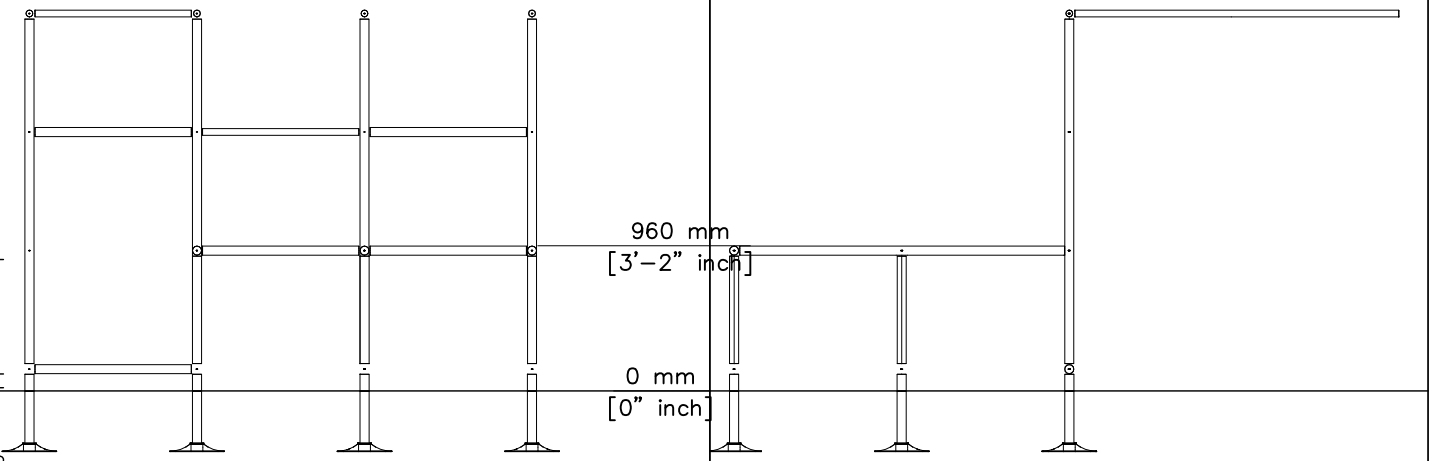
(A)

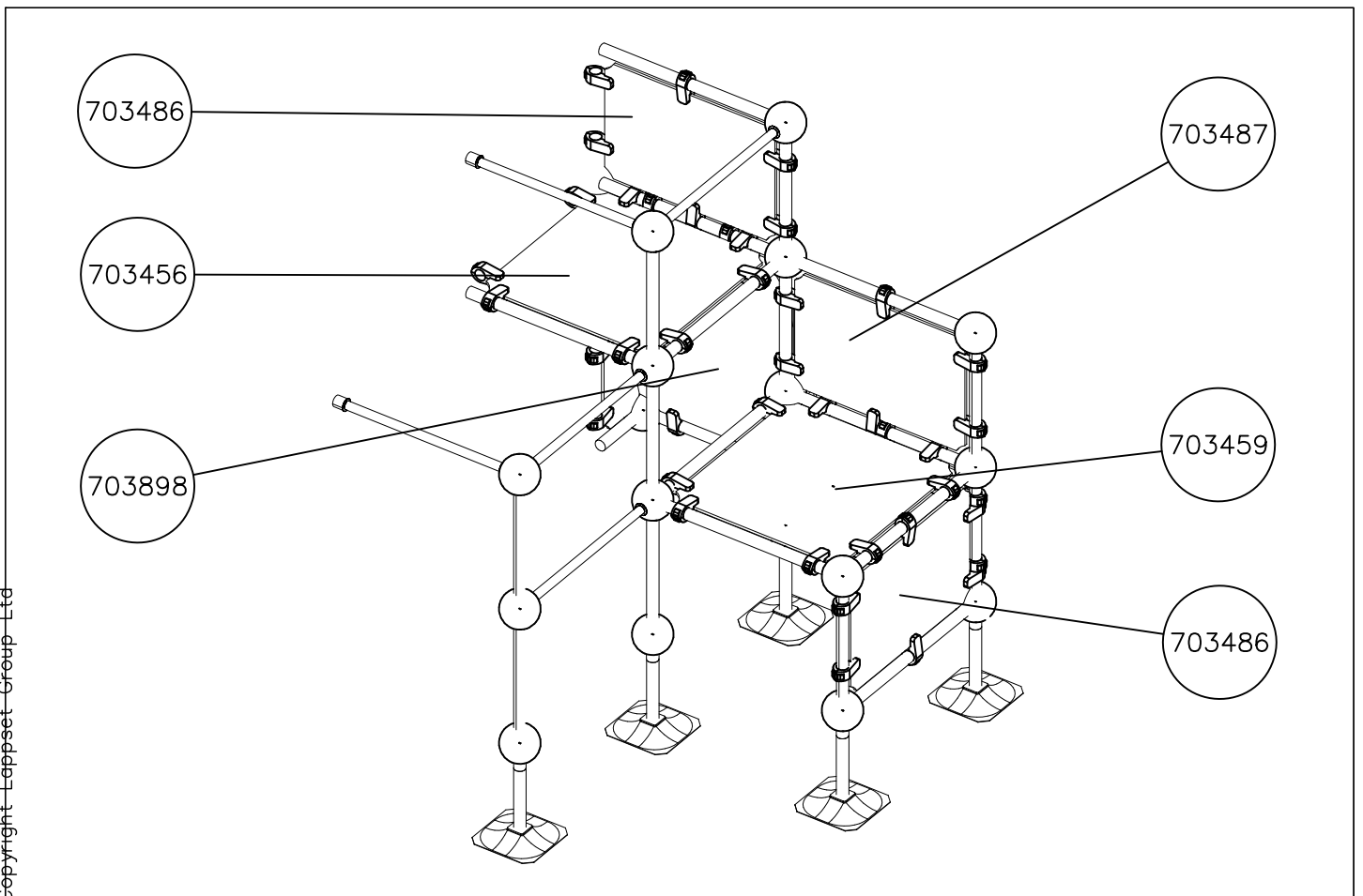
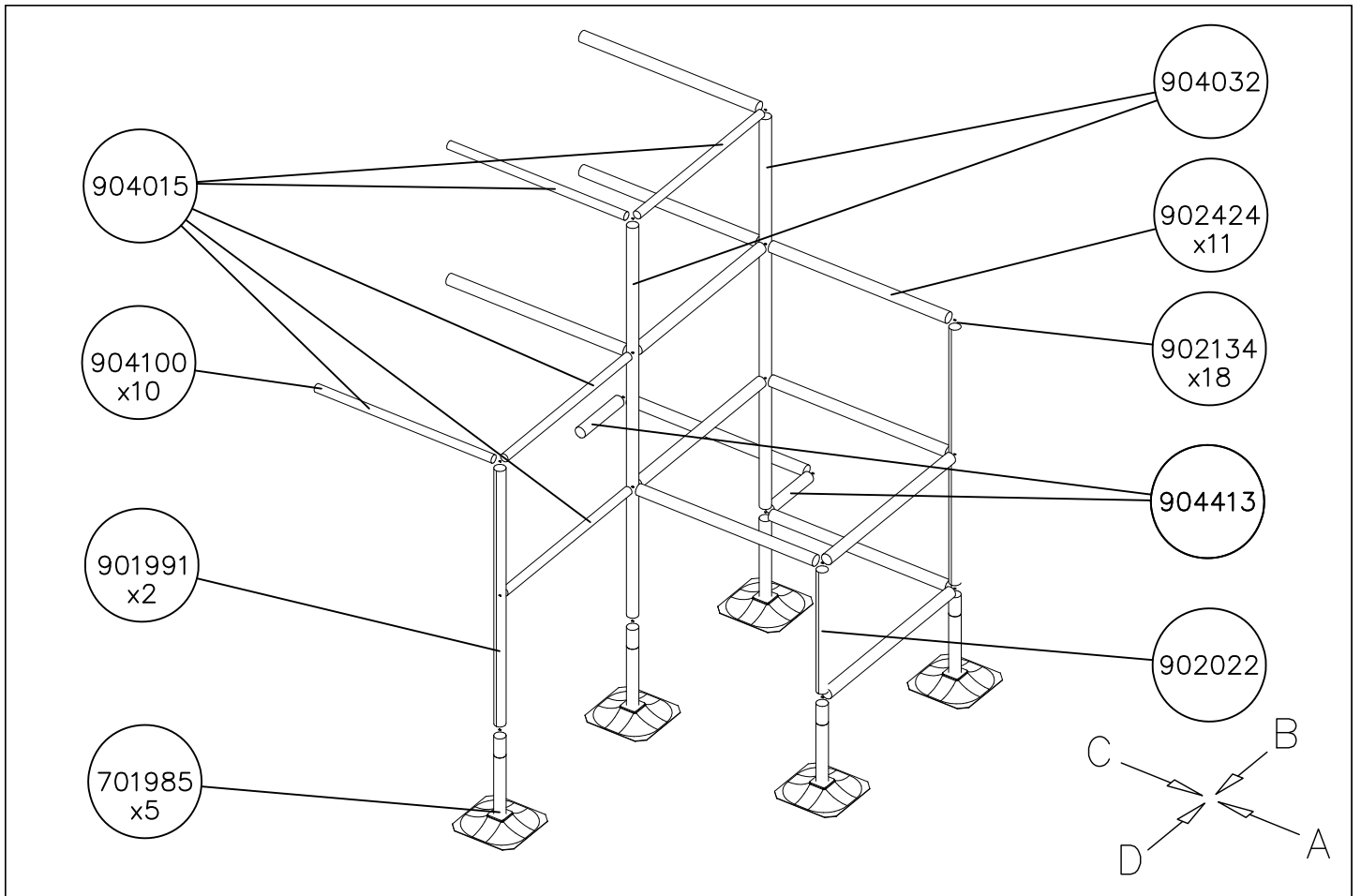
(B)



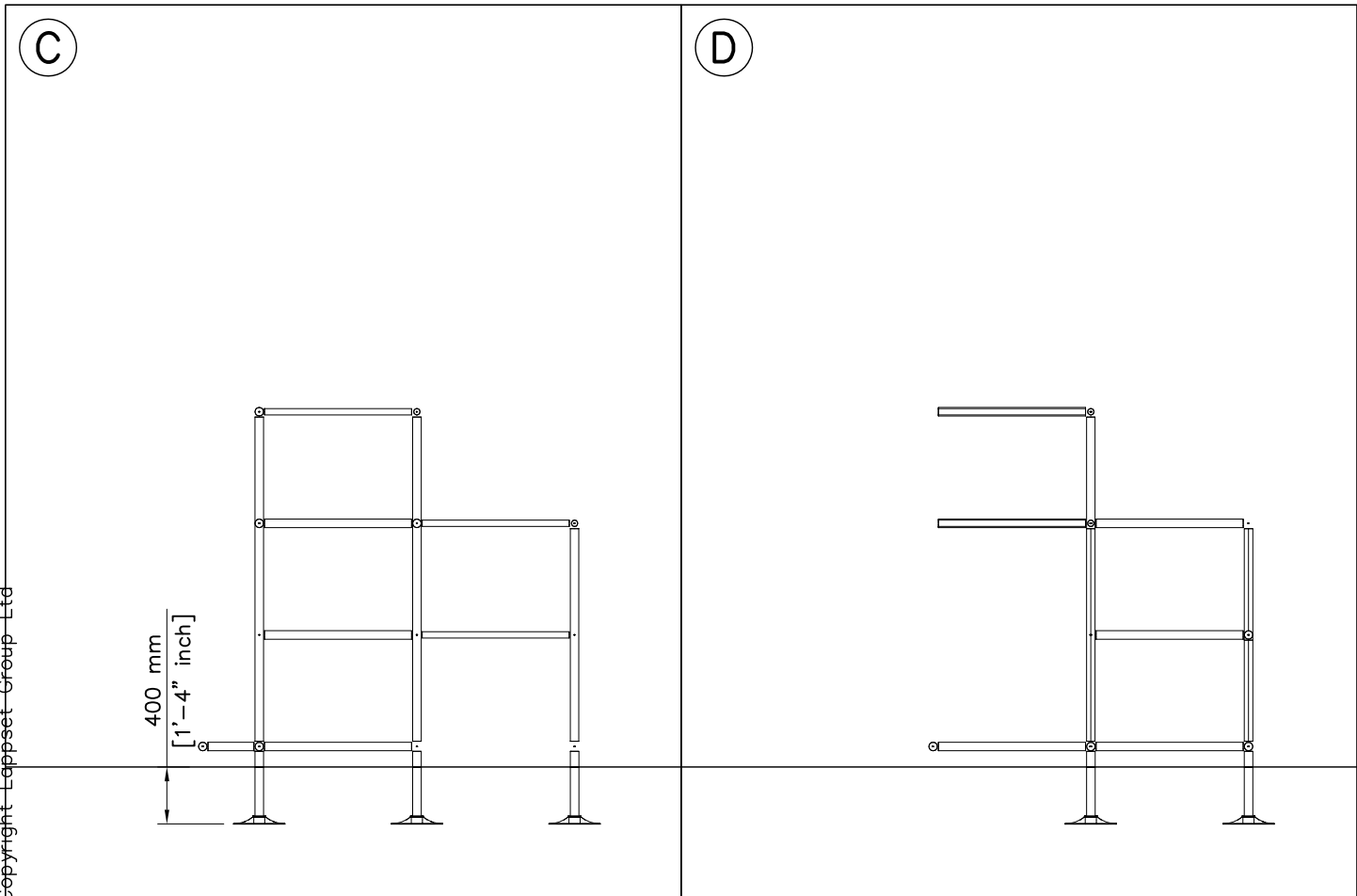
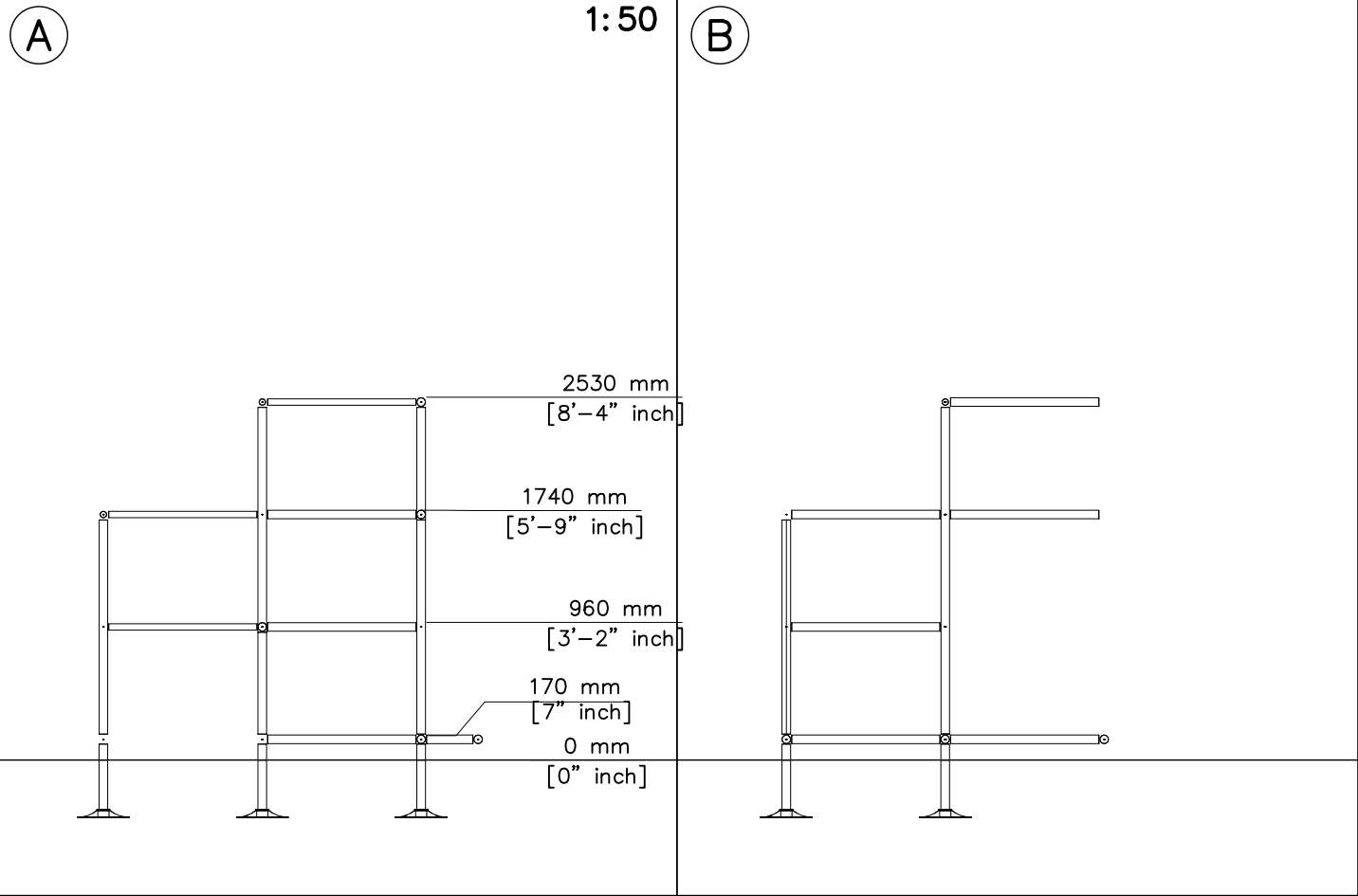
(C)

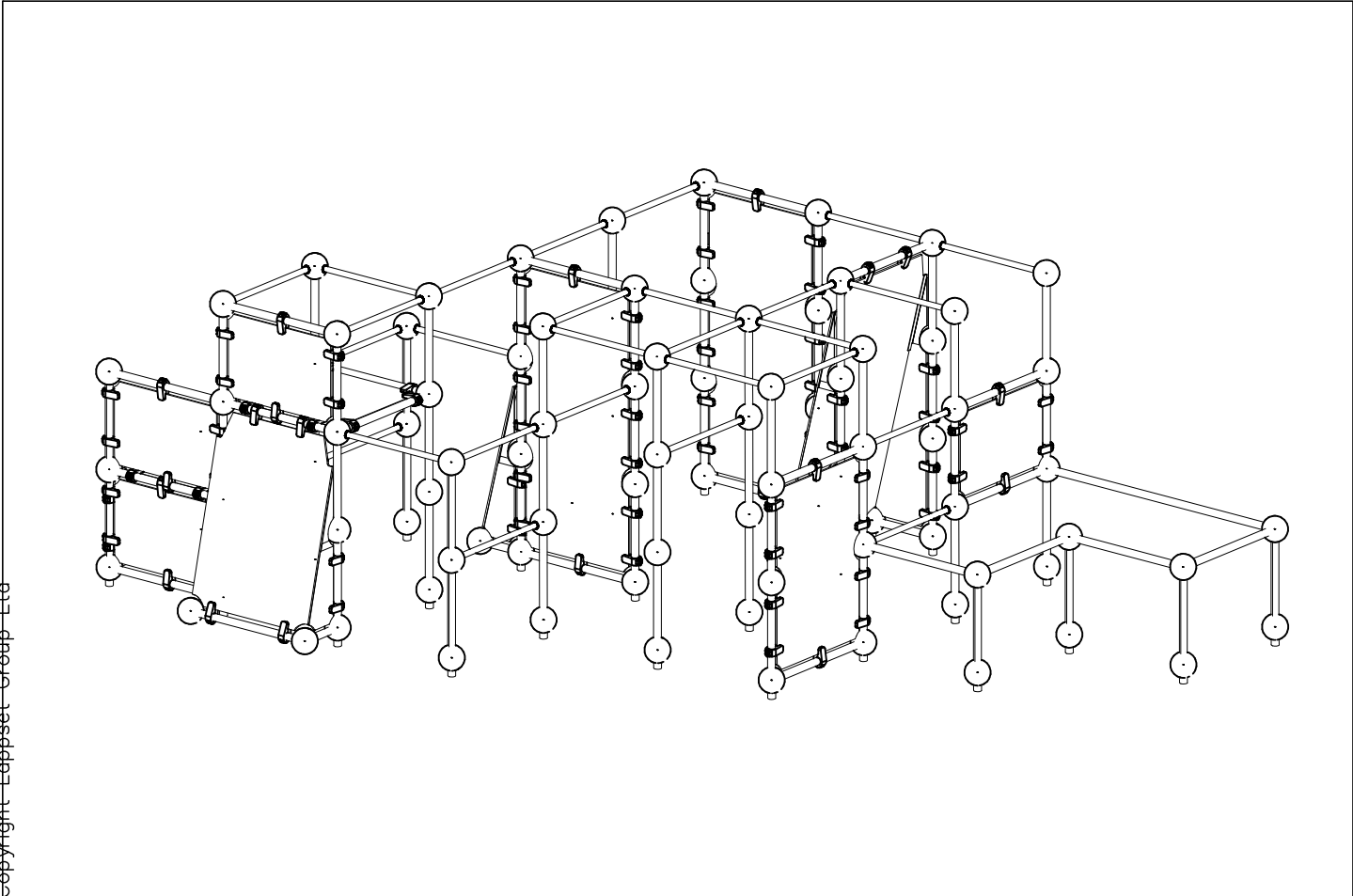
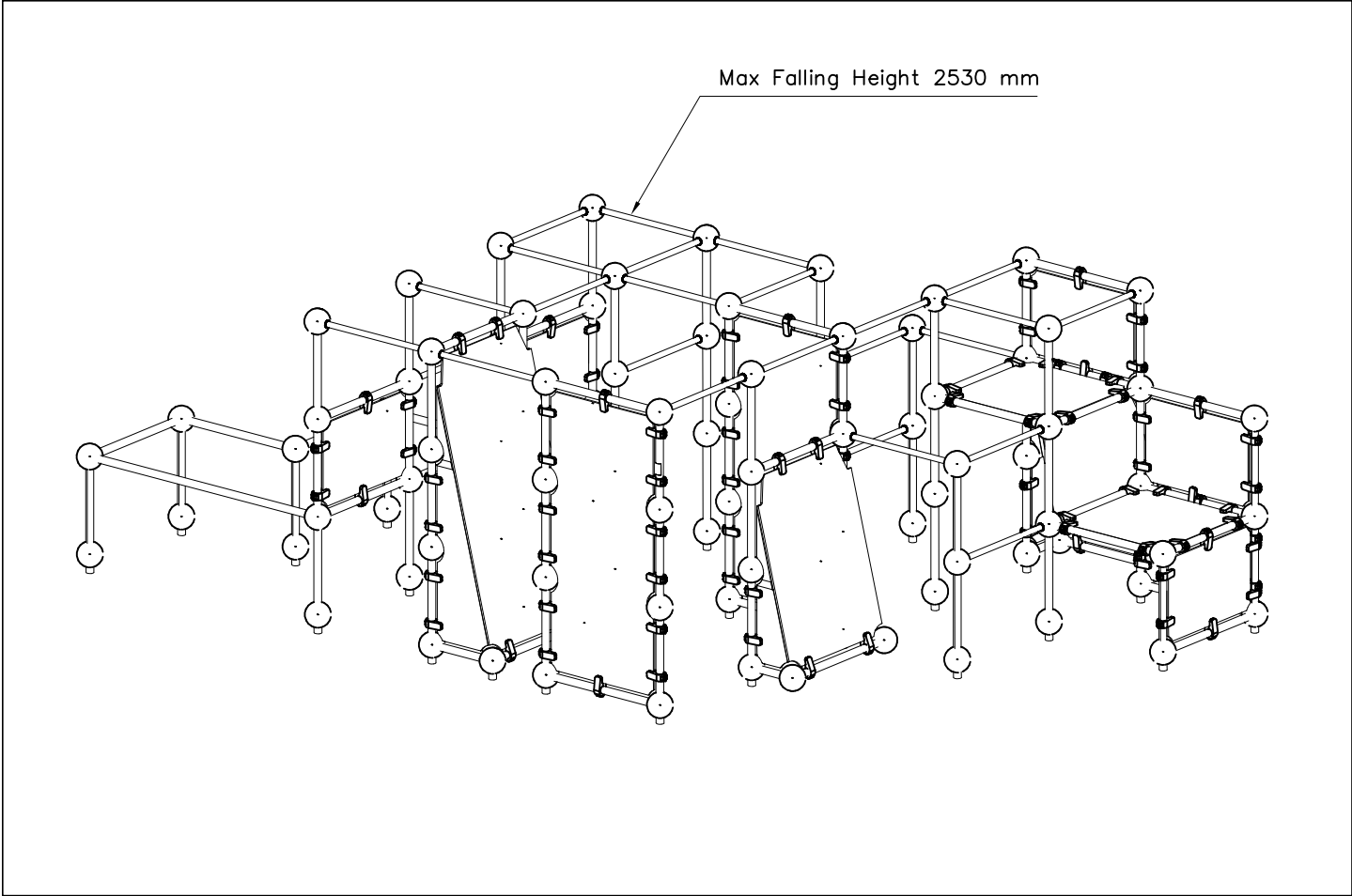
(D)

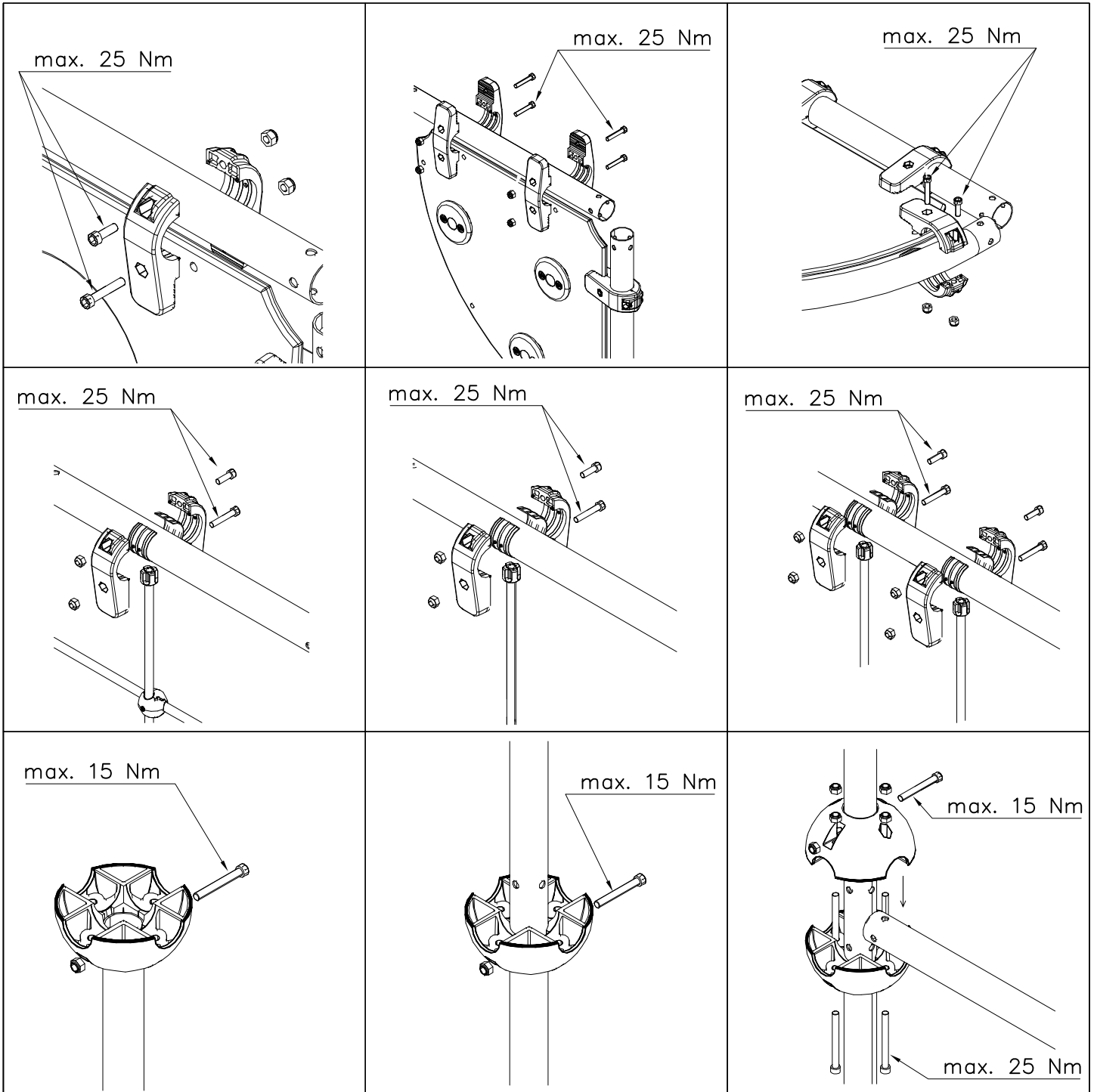




DATE: 23.2.2015



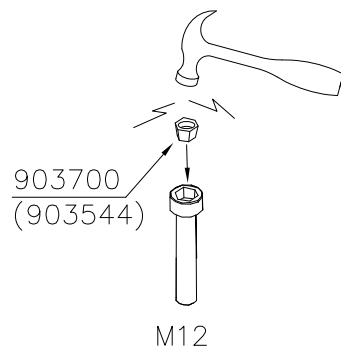
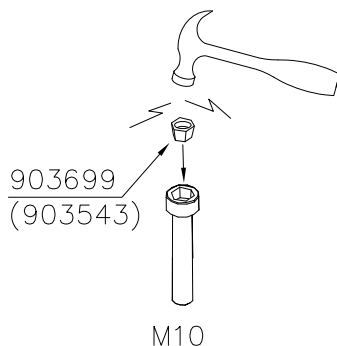


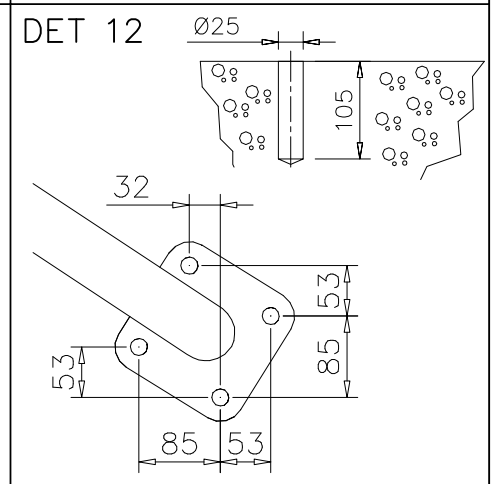
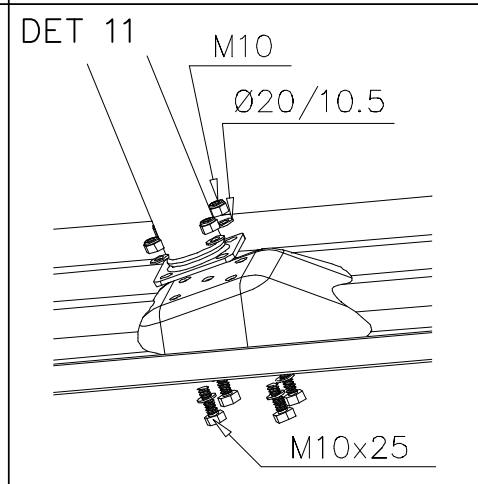
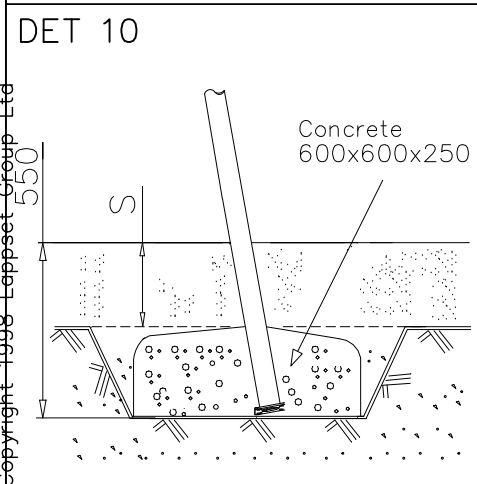
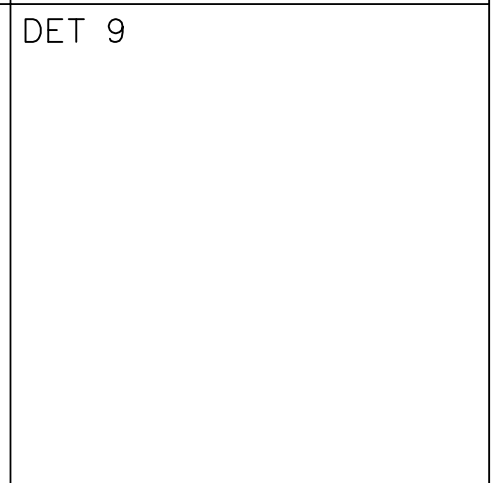
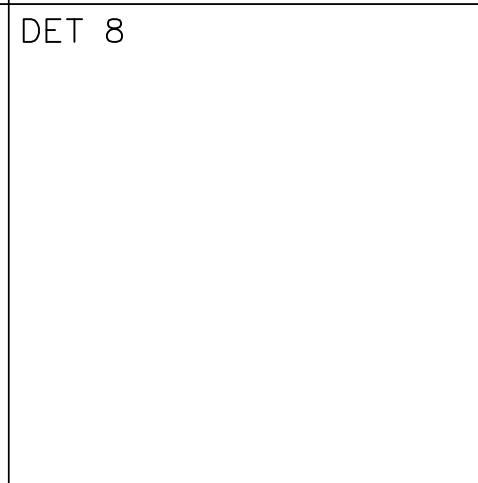
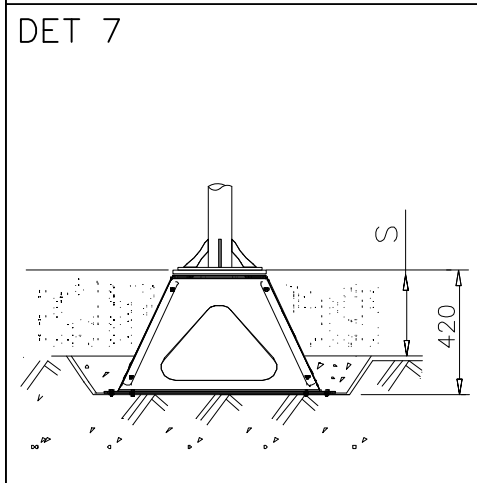
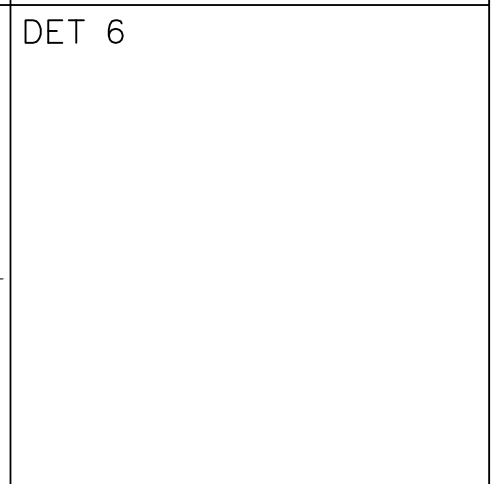
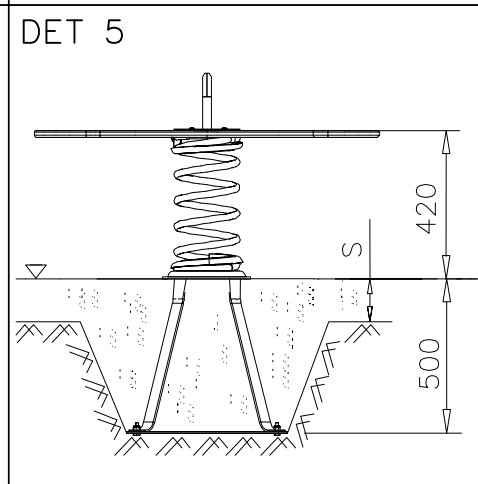
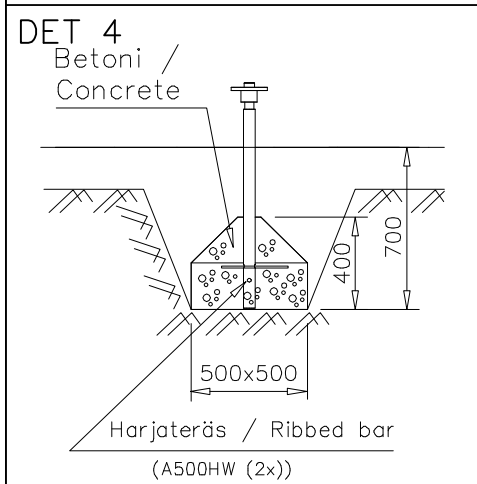
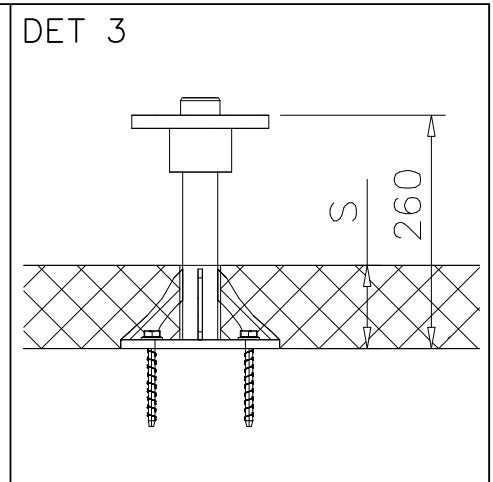
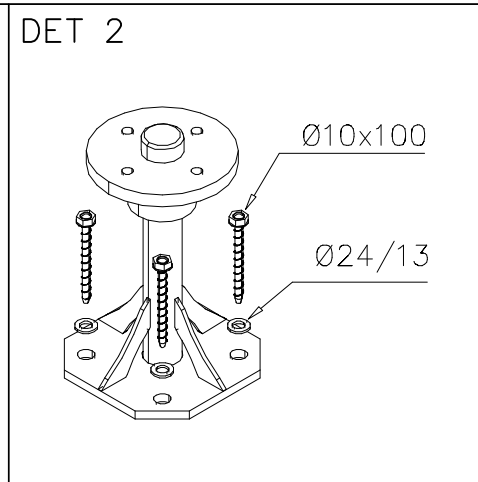
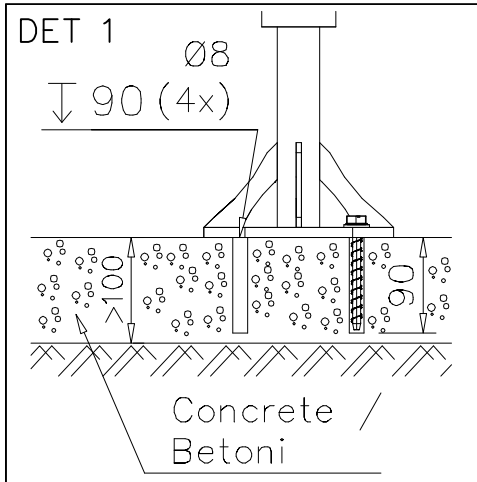


Security plugs are included only for selected products.

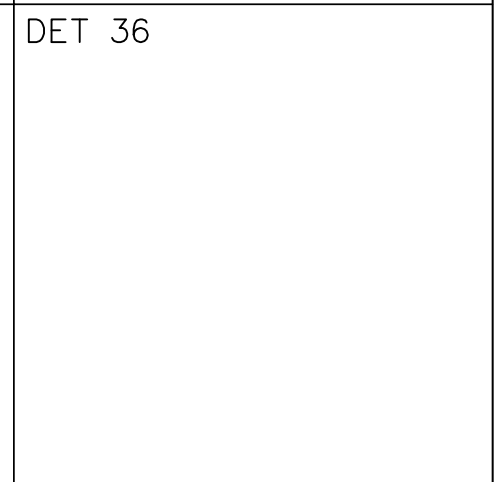
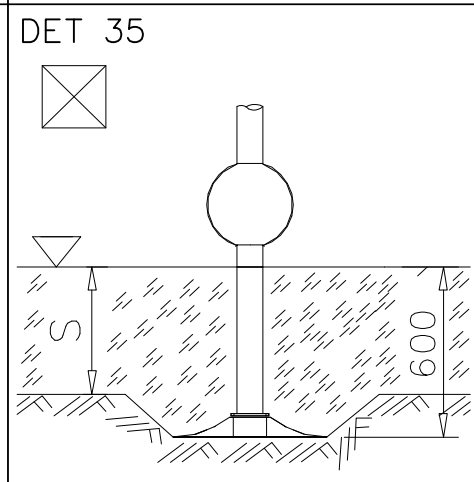
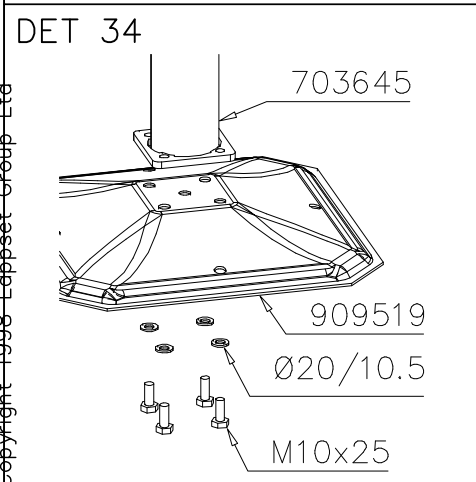
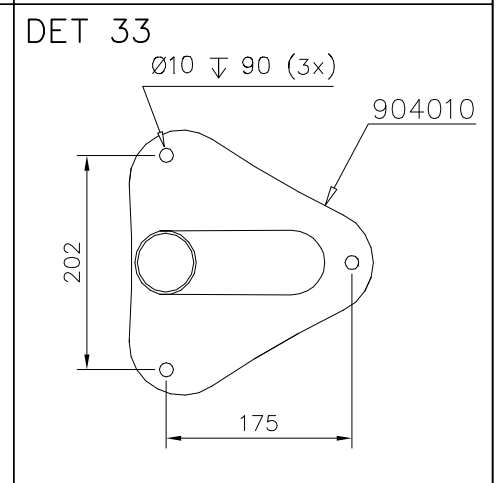
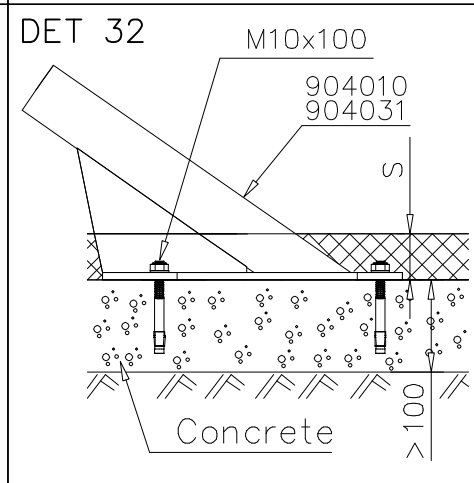
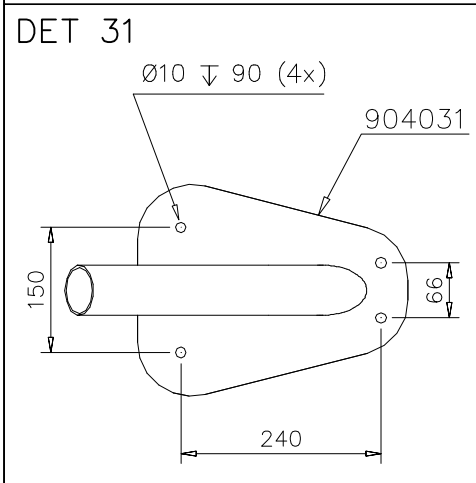
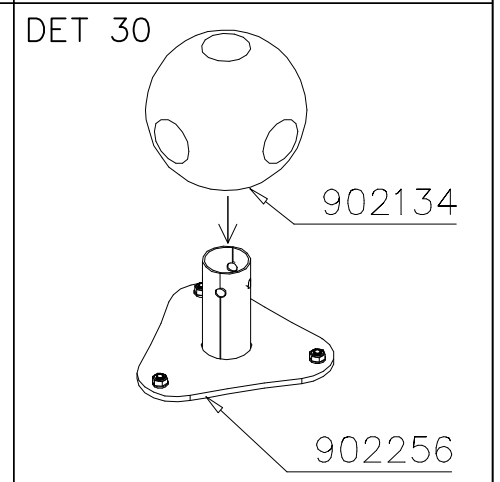
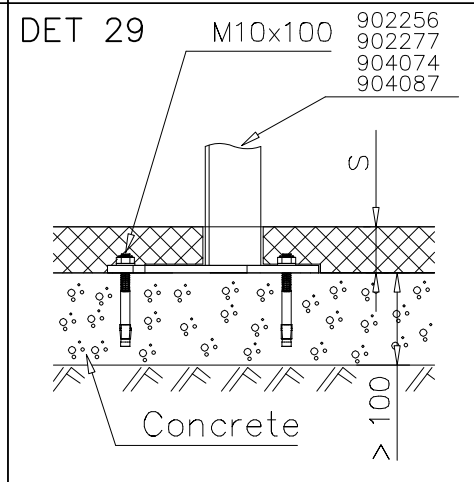
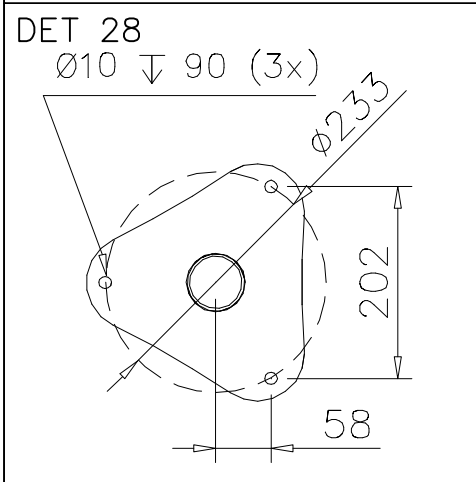
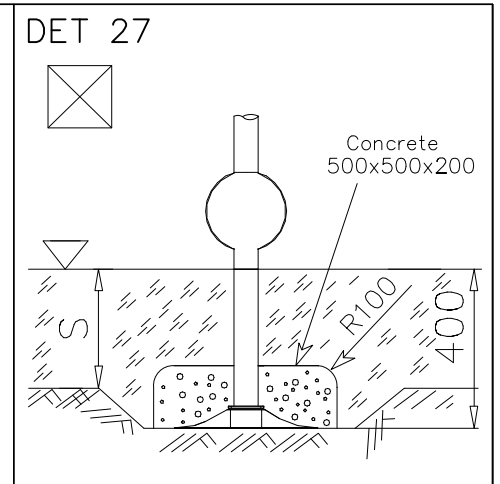
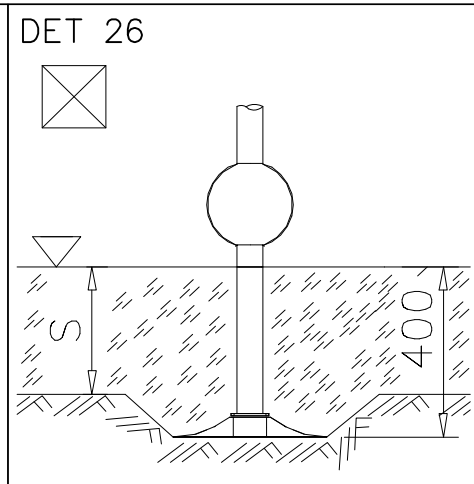
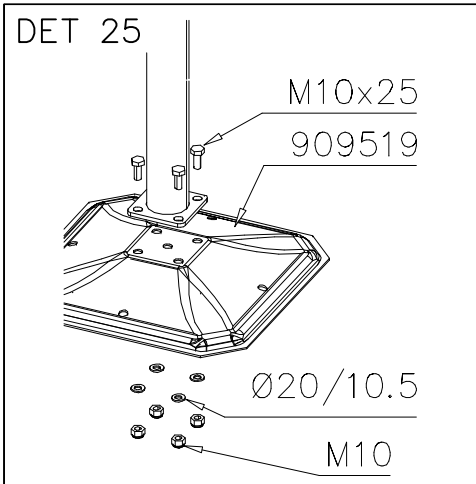
Hox!
Pultit on kiristettävä lopulliseen kireyteen, ennen turvapinnien asennusta.

Note!
Tighten bolts properly, before installing security plugs.





<p>DET 13</p> <p>140 Nm</p> <p>M16x110 Ø30/17x3</p>	<p>DET 14</p>	<p>DET 15</p>
<p>DET 16</p> <p>M12x60 Ø24/13 M12</p>	<p>DET 17</p> <p>M12x35 Ø24/13 M12</p>	<p>DET 18</p> <p>Concrete 500x500x200</p> <p>S 600</p> <p>Harjateräs / Ribbed bar (A500HW (2x))</p>
<p>DET 19</p> <p>ATT! Drilling can be done via hole in rotating flange.</p> <p>Ø8 ↓ 80 (4x)</p> <p>>100</p> <p>Concrete / Betoni</p>	<p>DET 20</p> <p>Ø10x100 Ø24/13</p>	<p>DET 21</p> <p>110</p> <p>S</p>
<p>DET 22</p> <p>M8 Ø16/8.4 M8x40</p>	<p>DET 23</p> <p>Ø10 ↓ 90 (4x)</p> <p>>100 S</p> <p>Betoni / Concrete Safety surface</p>	<p>DET 24</p> <p>M10 M10x100</p>



		
<p>$h < 600$</p> <p>Without movement and therefore without Impact Area</p>	<p>Totally hard surfaces.</p> <p>Note. Lappset does <u>not recommend</u> totally hard surfaces at all.</p>	<p>E.g. concrete or asphalt</p> 
<p>$h < 600$</p> <p>With movement e.g. rocking</p>	<p>Materials with very limited impact attenuating properties.</p>	<p>E.g. wood</p> 
<p>$h < 1000$</p>	<p>Materials with significant impact attenuating properties.</p>	<p>fine gravel 0–8 mm</p>  <p>grass</p>  <p>unsorted sand</p> 
<p>$h < 3000$</p>	<p>Loose fill material</p> <p>E.g. sand/gravel 0,25...8 mm D60/D10<3,0 Woodchips 5...30 mm bark 20...80 mm</p>	 <p>\underline{S} \underline{h}</p> <p>30 cm < 2,0 m</p> <p>40 cm < 3,0 m</p>
	<p>Syntethic granulates</p> <p>\underline{S} \underline{h}</p> <p>40 mm ~> 1,2...1,3 m</p> <p>50 mm ~> 1,5...1,7 m</p> <p>60 mm ~> 1,8...2,0 m</p> <p>70 mm ~> 2,1...2,5 m</p> <p>Note. For accurate values, see manufacturer's instructions.</p>	

REMOVE SAFETY SURFACE/SAND/GRAVEL
TO CHECK FOUNDATION



REMOVE SAFETY SURFACE/SAND/GRAVEL
TO CHECK FOUNDATION



<p>DET 1</p> <p>M8x50</p> <p>702845</p> <p>M8</p>	<p>DET 2</p> <p>M8x60 902625</p> <p>702845</p> <p>M8</p>	<p>DET 3</p>
<p>DET 4</p> <p>CUT EXTRA CHAIN</p>	<p>DET 5</p> <p>90Nm</p> <p>M12x110</p> <p>Ø24/13</p> <p>901958</p> <p>M8x35</p> <p>Ø24/13</p> <p>M12 NYLOC</p> <p>M8</p> <p>CUT EXTRA CHAIN</p>	<p>DET 6</p> <p>M12x120</p> <p>Ø24/12</p> <p>904801</p> <p>907621</p> <p>901958</p> <p>M8x35</p> <p>Ø24/13</p> <p>M12 NYLOC</p> <p>M8</p> <p>CUT EXTRA CHAIN</p>
<p>DET 7</p> <p>M12x40</p> <p>M12</p> <p>902012</p>	<p>DET 8</p> <p>NOTE: Aluminum thread fasten carefully.</p> <p>903388</p> <p>M8x30</p>	<p>DET 9</p> <p>NOTE: Aluminum thread fasten carefully.</p> <p>702850</p> <p>M8x30</p> <p>903388</p>
<p>DET 10</p> <p>902623</p> <p>M8</p> <p>Ø16/8.4</p> <p>Ø16/8.4</p> <p>M8x30</p>	<p>DET 11</p> <p>M8x30</p> <p>Ø16/8.4</p> <p>M8</p>	<p>DET 12</p> <p>902624</p>

<p>DET 13</p> <p>M10x50</p> <p>Ø20/10.5</p> <p>M10</p>	<p>DET 14</p> <p>M10x40</p> <p>Ø20/10.5</p> <p>M10</p>	<p>DET 15</p> <p>M10x40 (901487)</p> <p>Ø20/10.5x2 (901302)</p> <p>M10 (909637)</p>
<p>DET 16</p> <p>903572</p> <p>903567</p> <p>M8x60</p> <p>GLUE</p>	<p>DET 17</p> <p>M12x90 901994</p> <p>M12</p>	<p>DET 18</p> <p>M12x120</p> <p>903574</p> <p>M12</p>
<p>DET 19</p> <p>M12x90</p> <p>M12</p> <p>902157</p>	<p>DET 20</p> <p>M12</p> <p>901994</p> <p>M12x120</p>	<p>DET 21</p> <p>M8x60</p> <p>M8</p> <p>905067</p>
<p>DET 22</p> <p>703062</p> <p>M8x60</p> <p>GLUE</p>	<p>DET 23</p> <p>M8x60</p> <p>703062</p> <p>GLUE</p>	<p>DET 24</p> <p>901958</p> <p>903577</p>

DET 25-26

M12x120

904100

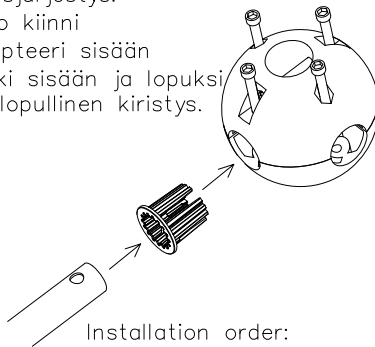
904015

904102

Kun putken pää osuu adapterin kynsiin, adapteri tiukentuu paikoilleen.

Asennusjärjestys:

- 1) Pallo kiinni
- 2) Adapteri sisään
- 3) putki sisään ja lopuksi pallon lopullinen kiristys.



Installation order:

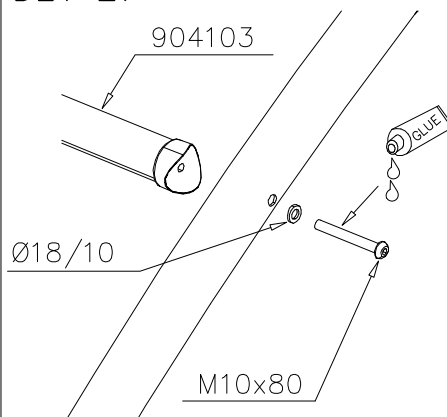
- 1) Close the ball
- 2) Insert adapter
- 3) Insert tube and tighten screws.

DET 27

904103

Ø18/10

M10x80



DET 28

906621

M12x35
(909347)

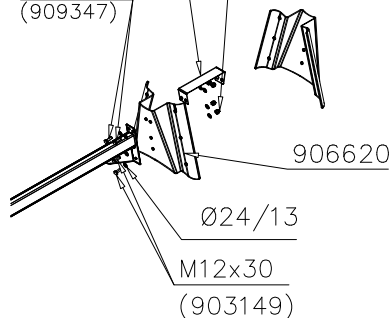
M12

906620

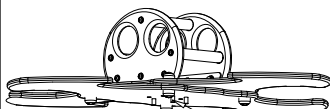
Ø24/13

M12x30
(903149)

M12 → 60 Nm



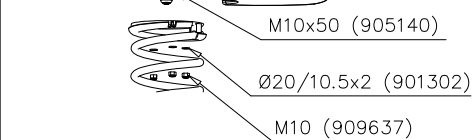
DET 29



M10x50 (905140)

Ø20/10.5x2 (901302)

M10 (909637)



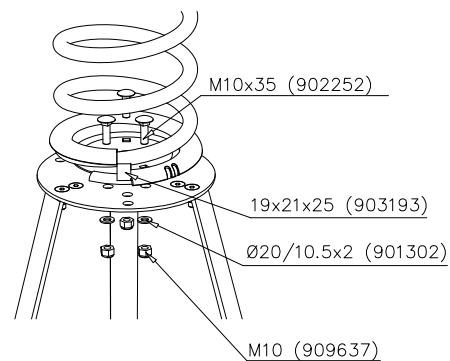
DET 30

M10x35 (902252)

19x21x25 (903193)

Ø20/10.5x2 (901302)

M10 (909637)



DET 31

M12 → 60 Nm

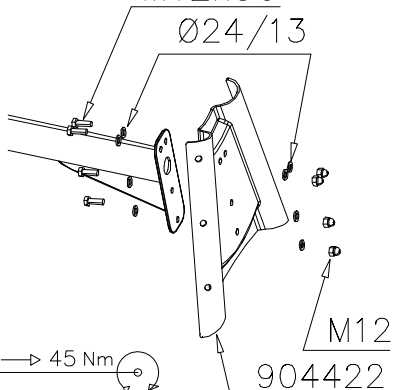
M12x30

Ø24/13

M10 → 45 Nm

M12

904422



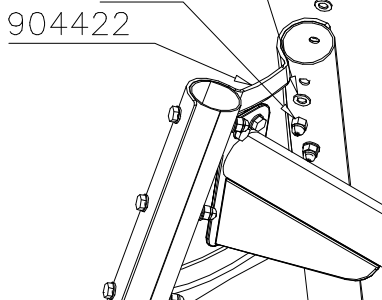
DET 32

M12 → 60 Nm

M12x100

Ø24/13

M12
904422



DET 33

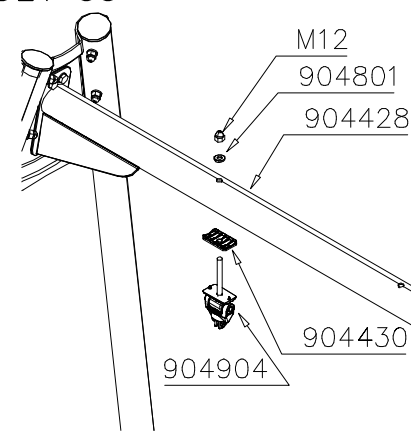
M12

904801

904428

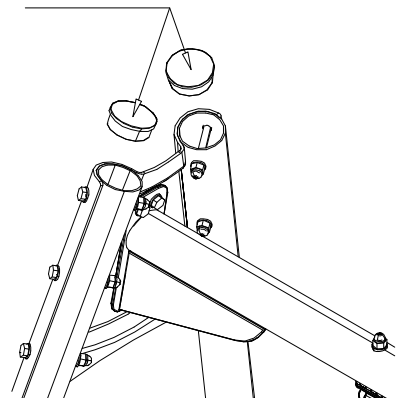
904430

904904

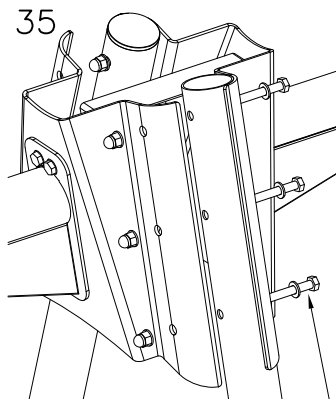


DET 34

904800

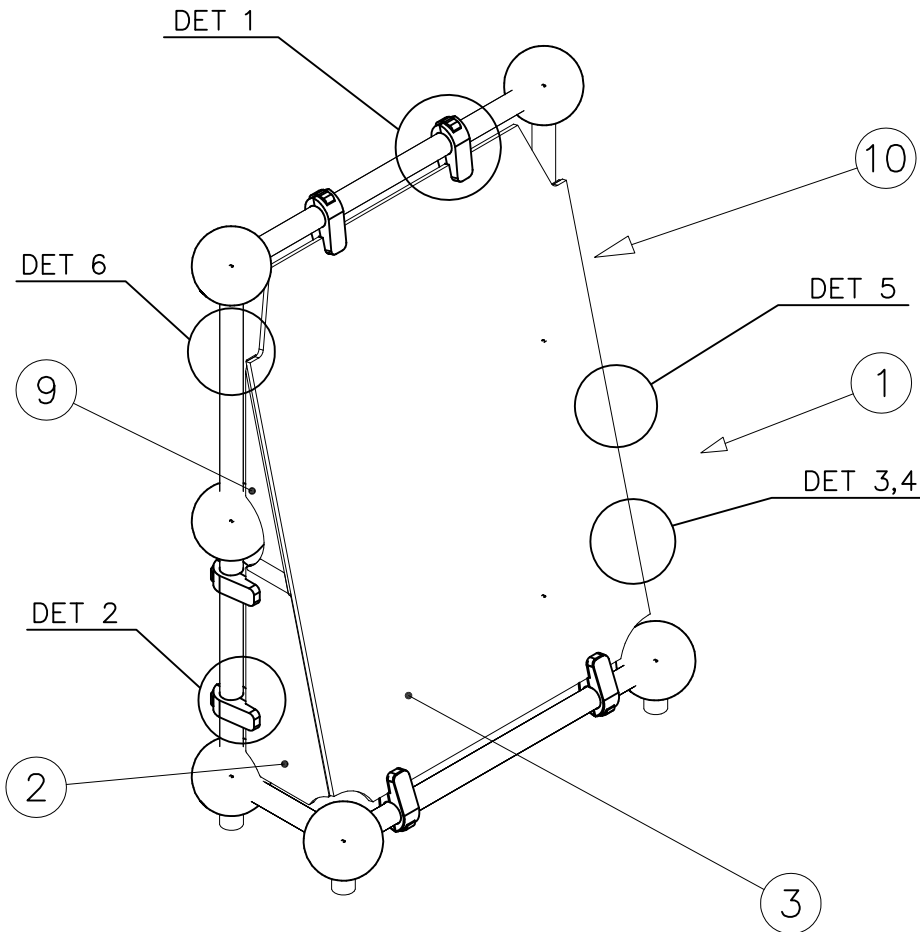





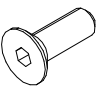
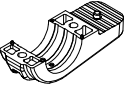
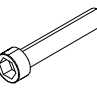
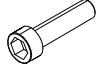
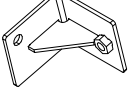
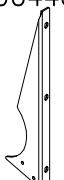

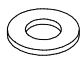
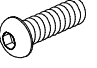

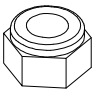

DET 35

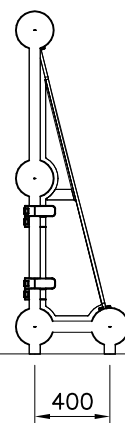
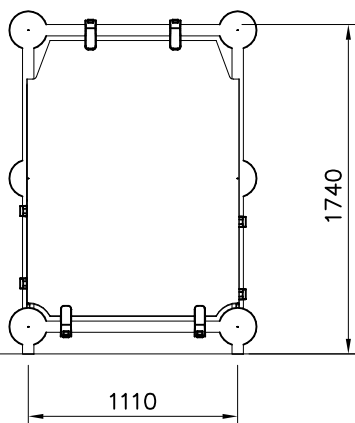


M12x110

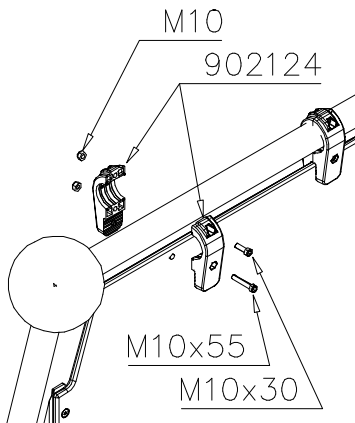
DET 36



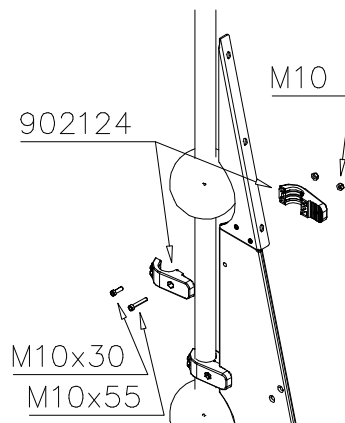
① 703880  LEFT	PCS 1	② 703879  RIGHT	PCS 1
③ 703896 	PCS 1	④ 900958  M10x30	PCS 10
⑤ 902124  150x50x50	PCS 16	⑥ 902232  M10x55	PCS 8
⑦ 902233  M10x30	PCS 8	⑧ 904281 	PCS 2
⑨ 904406  Right	PCS 1	⑩ 904407  Left	PCS 1
⑪ 909256  Ø16/8.4x1.6	PCS 4	⑫ 909850  M8x25	PCS 4
⑬ 980160  M8	PCS 4	⑭ 980161  M10	PCS 26
⑮ 999561  GLUE 4101 ergo 10 g	PCS 1		PCS



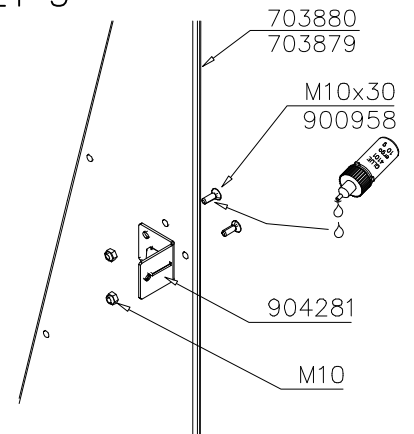
DET 1



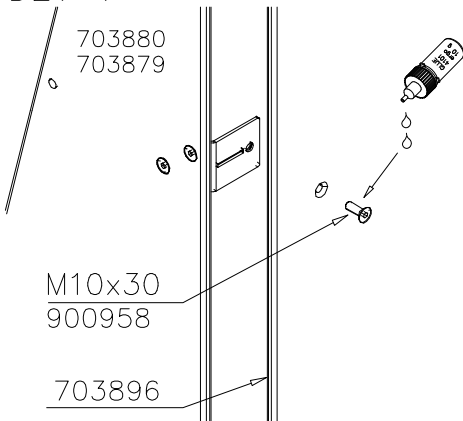
DET 2



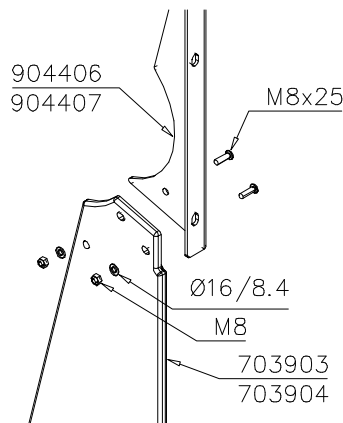
DET 3



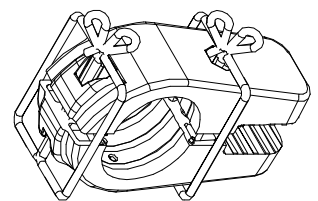
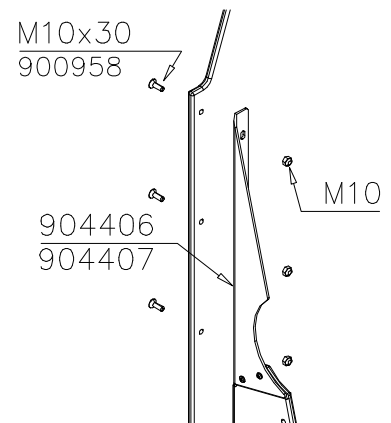
DET 4



DET 5

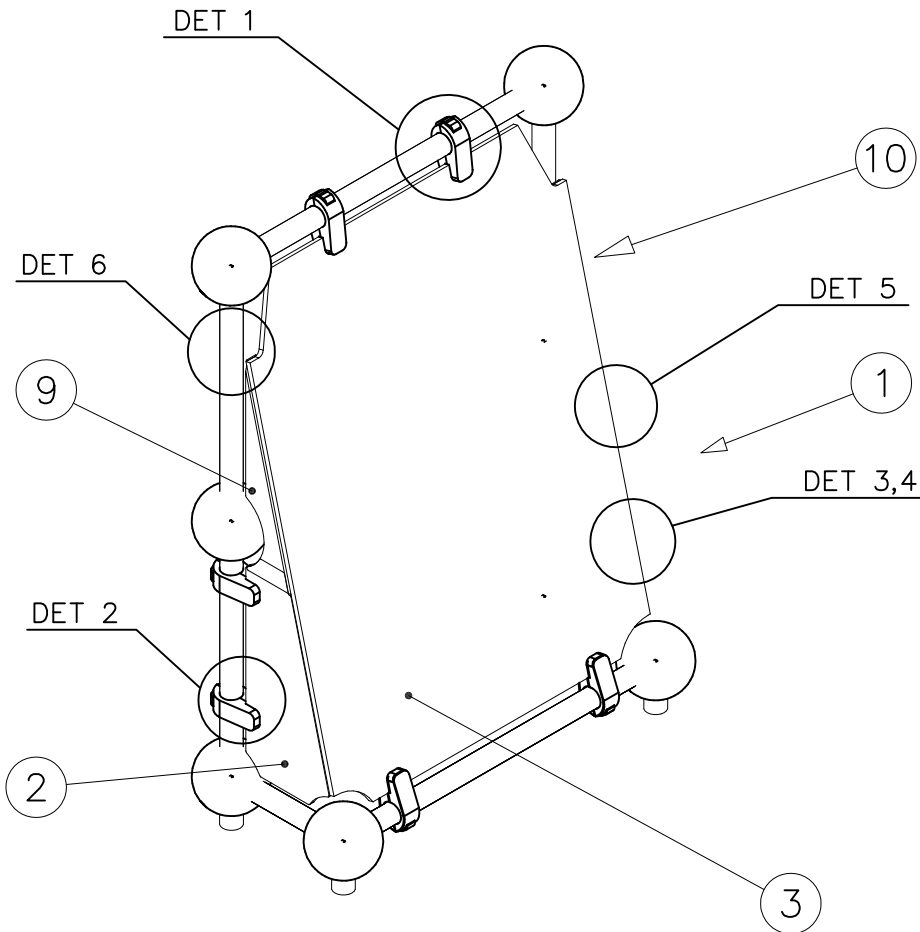





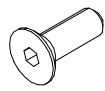
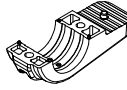
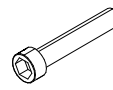
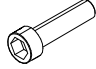
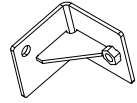
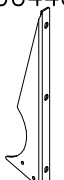

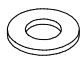
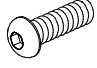

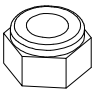

DET 6

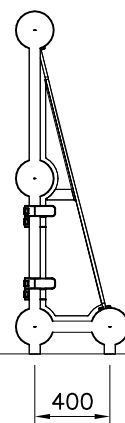
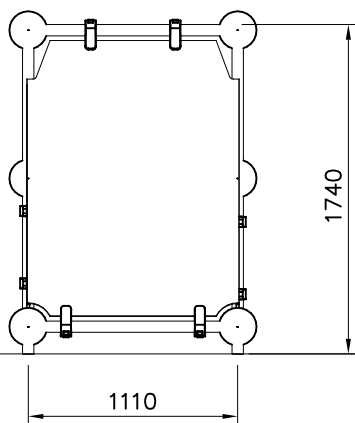


NOTE:
Use a wire marked pairs
of the same junction.

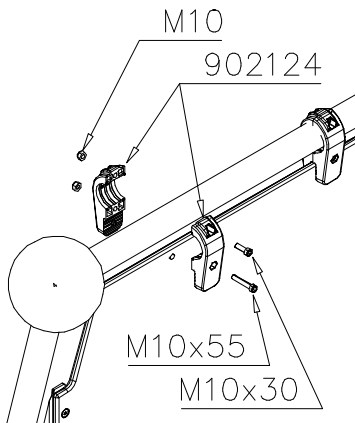
Huom!
Käytä langalla merkittyä
paria samassa liitoksessa.



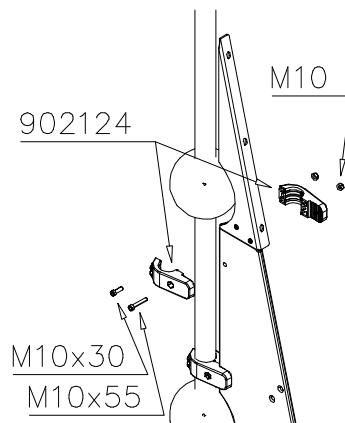
① 703880	PCS	② 703879	PCS
	1		1
LEFT		RIGHT	
③ 703897	PCS	④ 900958	PCS
	1		10
		M10x30	
⑤ 902124	PCS	⑥ 902232	PCS
	16		8
150x50x50		M10x55	
⑦ 902233	PCS	⑧ 904281	PCS
	8		2
M10x30			
⑨ 904406	PCS	⑩ 904407	PCS
	1		1
Right		Left	
⑪ 909256	PCS	⑫ 909850	PCS
	4		4
Ø16/8.4x1.6		M8x25	
⑬ 980160	PCS	⑭ 980161	PCS
	4		26
M8		M10	
⑮ 999561	PCS		PCS
	1		
GLUE 4101 ergo 10 g			
10g			



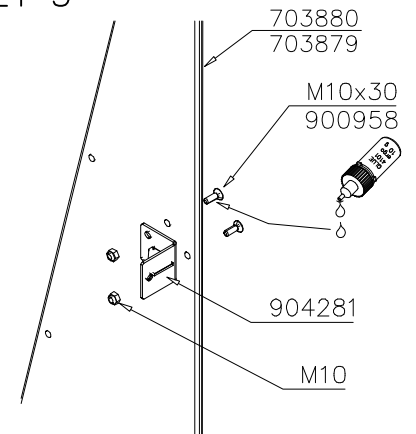
DET 1



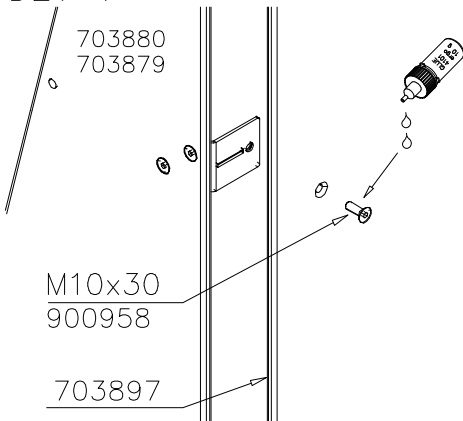
DET 2



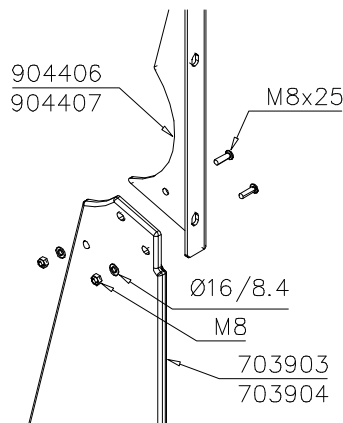
DET 3



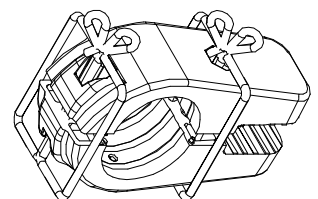
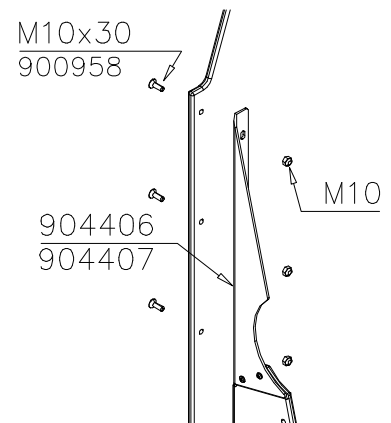
DET 4



DET 5



DET 6



NOTE:
Use a wire marked pairs
of the same junction.

Huom!
Käytä langalla merkittyä
paria samassa liitoksessa.

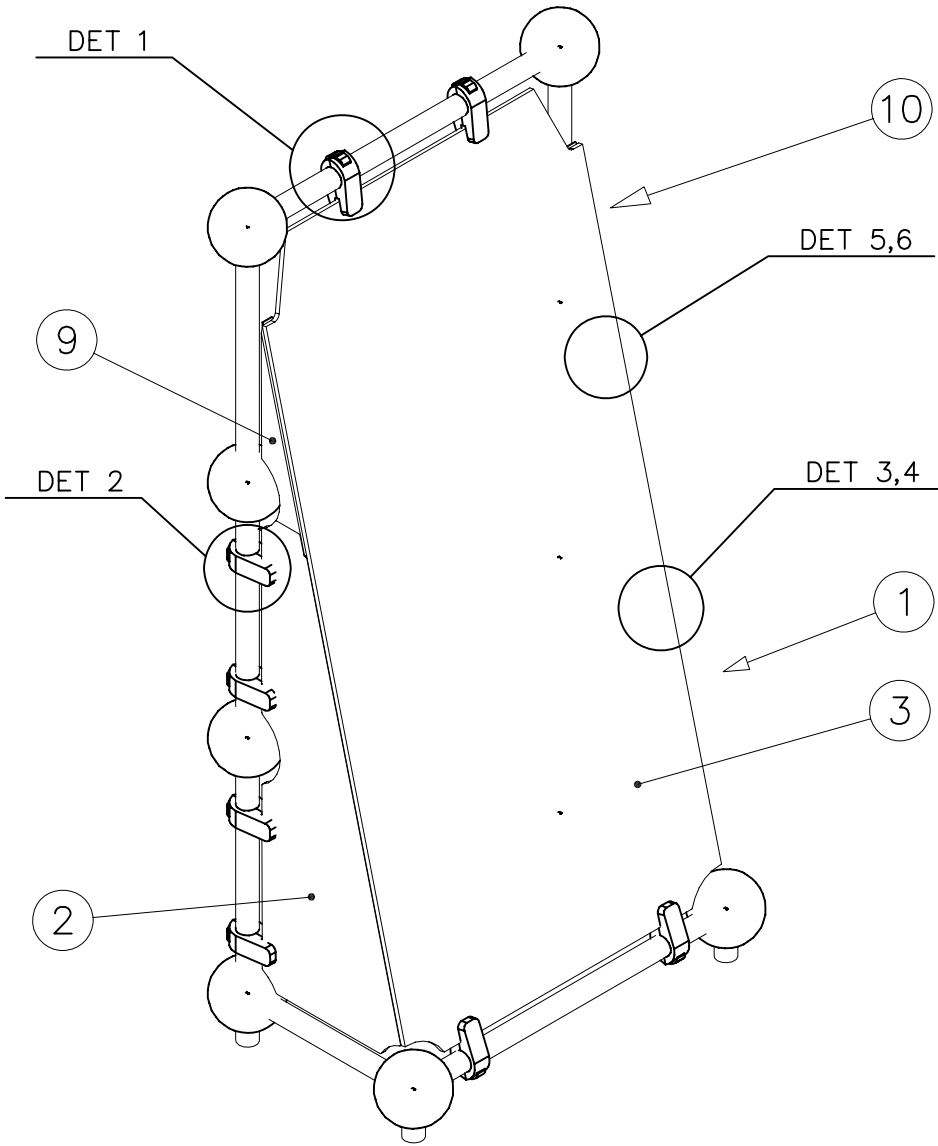
LAPPSET®



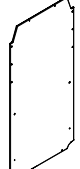
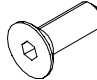
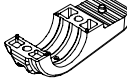
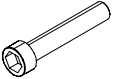
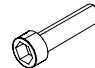
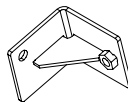



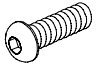
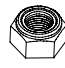

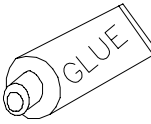
PARKOUR

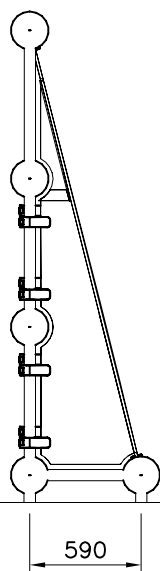
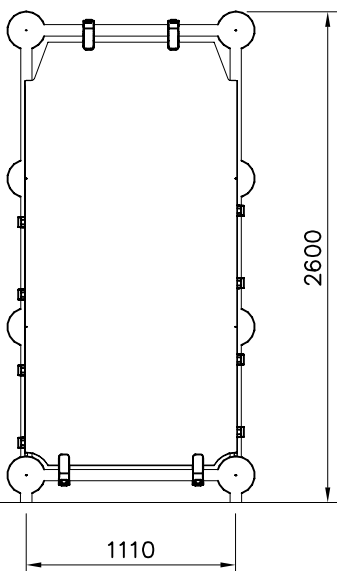
703902

DATE: 25.10.2011

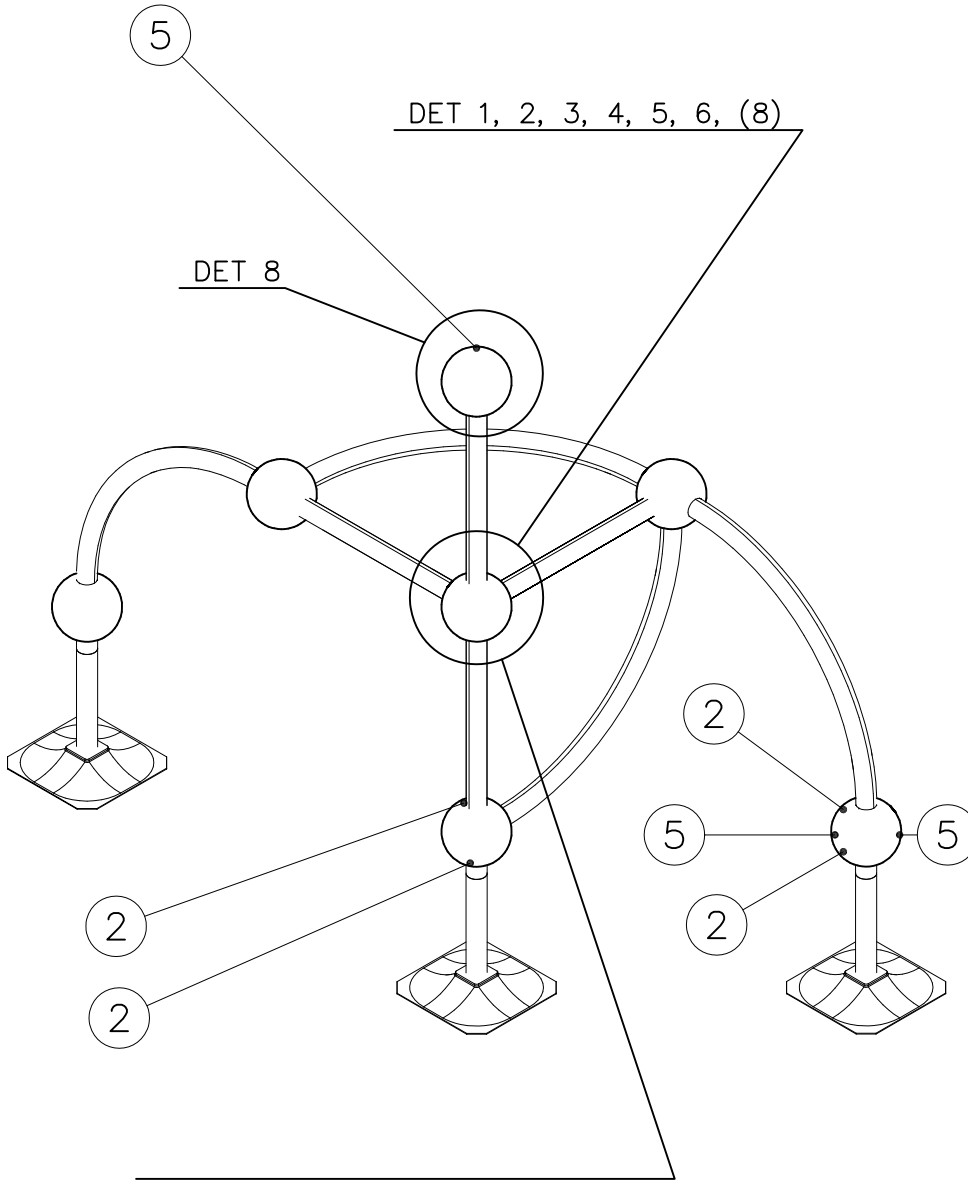
1(2)



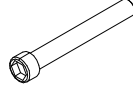

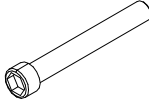

① 703903  LEFT	PCS 1	② 703904  RIGHT	PCS 1
③ 703906  YELLOW	PCS 1	④ 900958  M10x30	PCS 18
⑤ 902124  150x50x50	PCS 24	⑥ 902232  M10x55	PCS 12
⑦ 902233  M10x30	PCS 12	⑧ 904281 	PCS 4
⑨ 904406  Right	PCS 1	⑩ 904407  Left	PCS 1
⑪ 909256  Ø16/8.4x1.6	PCS 4	⑫ 909850  M8x25	PCS 4
⑬ 980160  M8	PCS 4	⑭ 980161  M10	PCS 38
⑮ 999561  10g	PCS 1		PCS



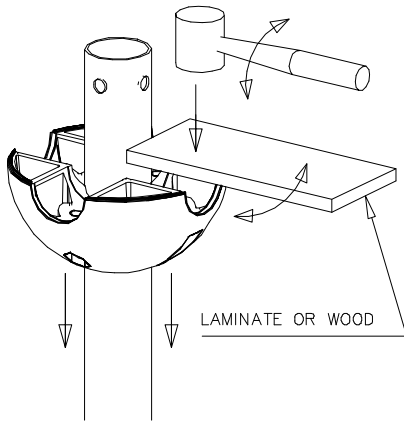
<p>DET 1</p> <p>M10 902124 M10x55 M10x30</p>	<p>DET 2</p> <p>902124 M10 M10x30 M10x55</p>	<p>DET 3</p> <p>703903 703904 M10x30 900958 GLUE 904281 M10</p>
<p>DET 4</p> <p>703903 703904 GLUE M10x30 900958 703906</p>	<p>DET 5</p> <p>904406 904407 M8x25 Ø16/8.4 M8 703903 703904</p>	<p>DET 6</p> <p>M10x30 900958 904406 904407 M10</p>
		<p>NOTE: Use a wire marked pairs of the same junction.</p> <p>Huom! Käytä langalla merkittyä paria samassa liittoksessa.</p>



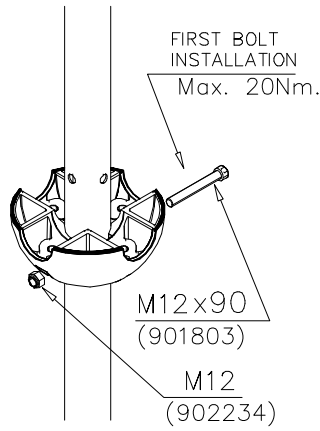
DO NOT TIGHTEN THE JOINTS UNTIL THE STRUCTURE IS COMPLETE.

① 901803	PCS	② 901994	PCS
	2		2
M12x90		Ø190	
③ 902096	PCS	④ 902234	PCS
	4		6
M12x120		M12	
	PCS		PCS
	PCS		PCS
	PCS		PCS
	PCS		PCS
	PCS		PCS
	PCS		PCS

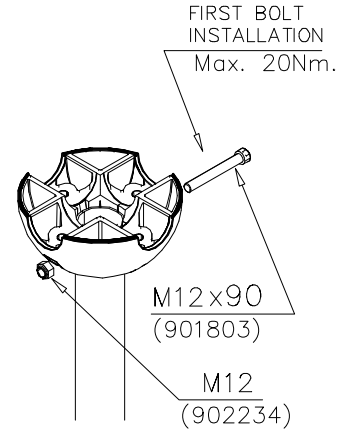
DET 1



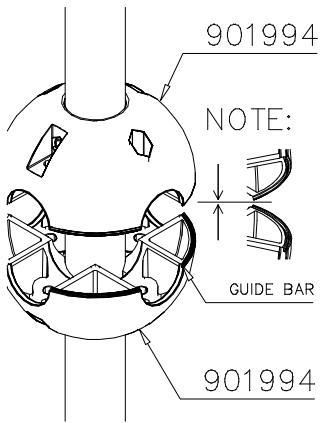
DET 2



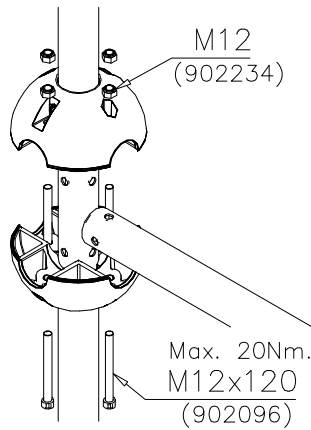
DET 3



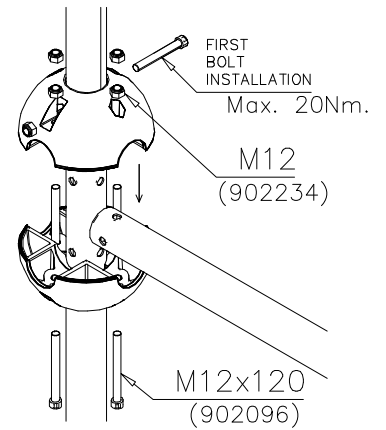
DET 4



DET 5

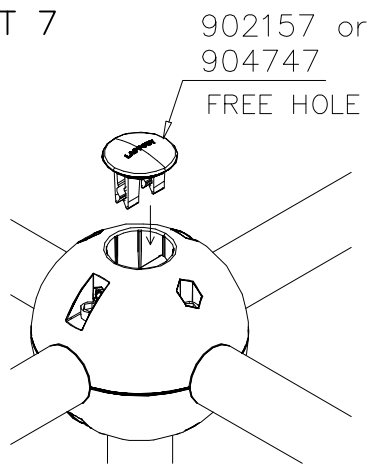


DET 6



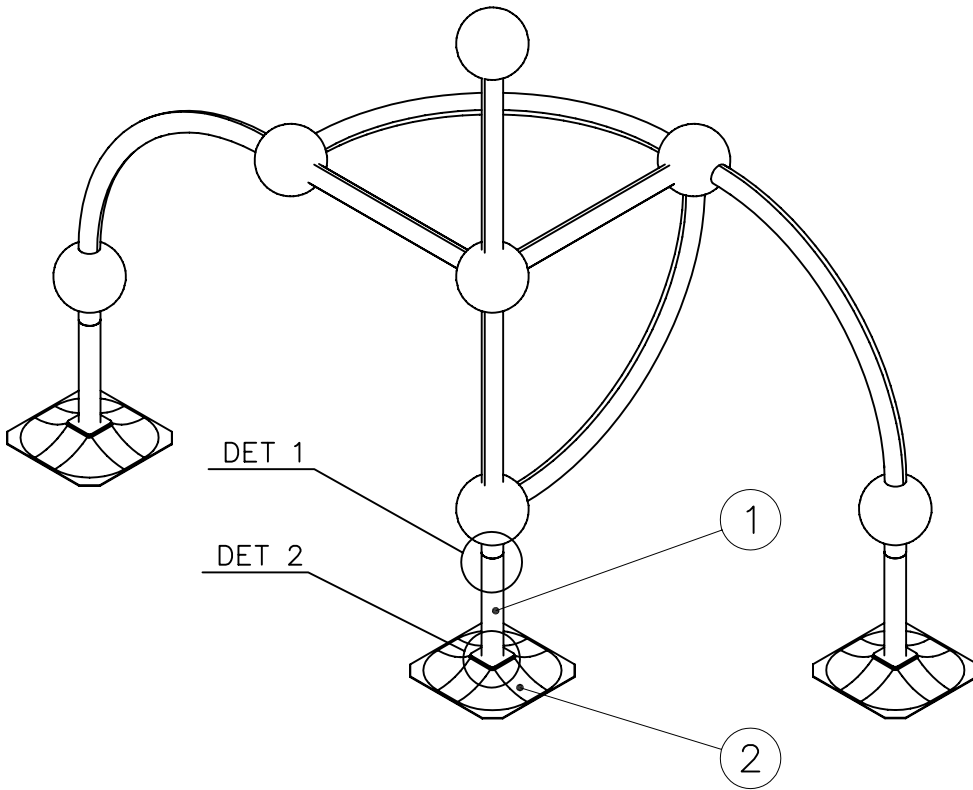
REMEMBER
FINAL
TIGHTENING


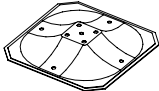
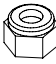

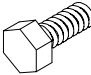
DET 7



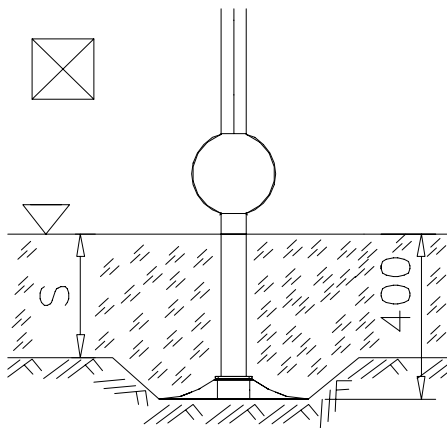
DET 8



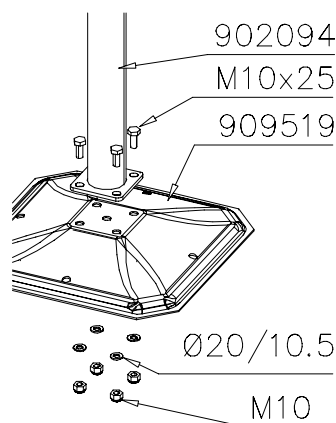


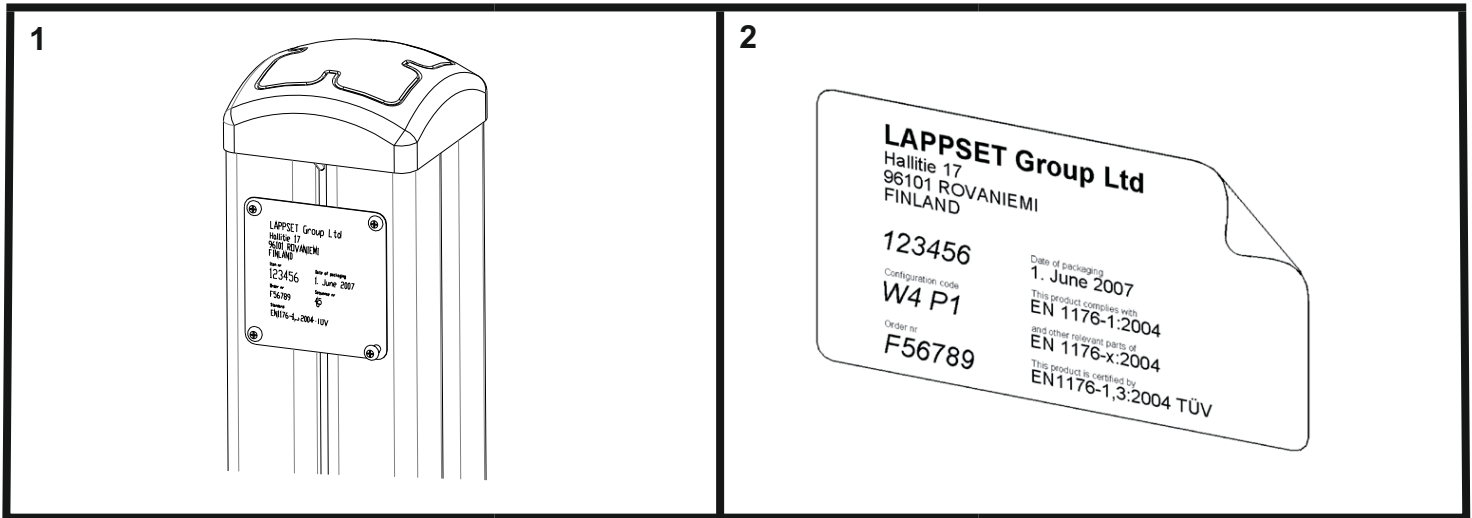
① 902094	PCS	② 909519	PCS
	1		1
Ø60x450		50x380x380	
③ 909637	PCS	④ 909638	PCS
	4		4
M10		Ø20/10,5	
⑤ 909639	PCS		PCS
	4		
M10x25			
	PCS		PCS
	PCS		PCS
	PCS		PCS

DET 1



DET 2





Tuotekyltti tulee tuotteen mukana yhdellä seuraavista tavoista:

1) Metallinen tuotekyltti ja kiinnitysruuvit

- Kiinnitä tuotekyltti ruuveilla tolppaan noin 2 metrin korkeuteen kuvan 2 mukaisesti.

2) Tuotekylttitarra

- Puhdista maalattu metalli- tai vaneripinta pölystä ja kosteudesta. Liimaa tarra kuvan 3 mukaisesti.
- Huom. Älä kiinnitä tarraa karheapintaiseen laminaattiin tai maalattuun puuhun.

Vår produktmärkning levereras på ett av följande sätt:

1) Produktskylt i metall

- Fäst skylten med de medföljande skruvarna

2) Självhäftande produktetikett

- Rengördenpulverlackerademetallytanellerlaminatytansåttndenblirfrifrånsmutsochfukt.Fästetikettenenligtfig.3.
- Obs! Fäst ej etiketten på detaljer med skrovlig yta eller på målat trä.

Product label is delivered by one of following ways:

1) Metal product label and screws

- Fasten the label with screws.

2) Label sticker

- Cleanthepaintedmetalorplywoodsurfacefromdirtandmoisture.Fastenthestickerasshowninthefigure3.
- Note. Do not attach the sticker to rough surfaced laminate or painted wood.

La plaque d'informations produit est livrée sous l'une de ces 3 formes :

1) Plaque métallique et vis

- Fixez la plaque à l'aide des vis.

2) Etiquette autocollante

- Avant de coller l'étiquette, nettoyez le composant métallique peint ou la plaque de contreplaqué, de toute saleté. La surface doit être sèche (voir image 3).
- Attention, ne pas coller l'étiquette sur une surface lamellé-collée irrégulière ou sur du bois peint.

Die Auslieferung des Produktaufklebers erfolgt auf eine dieser Arten:

1) Produkt-Schild aus Metall incl. Schrauben

- Die Befestigung des Schildes erfolgt mittels der Schrauben.

2) Aufkleber

- EntfernenSiezunächstSchmutzundFeuchtigkeitvomlackiertenMetallbzw.vonderHolzoberflächeundbringenSiedenAufkleber wie im Bild oben rechts beschrieben auf den gesäuberten Untergrund auf.
- Beachten Sie: Bringen Sie den Aufkleber nicht auf raues laminiertes oder lackiertes Holz an.

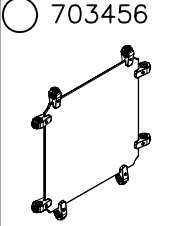
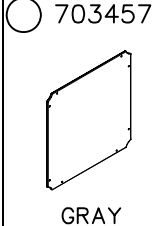
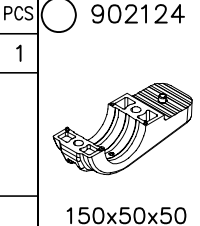
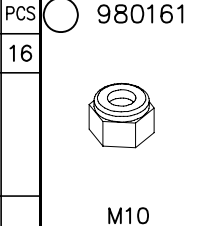
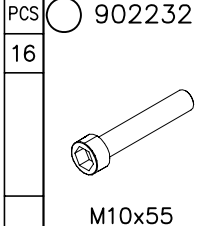
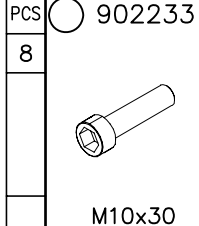
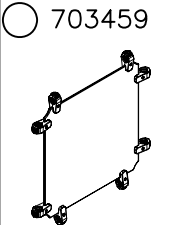
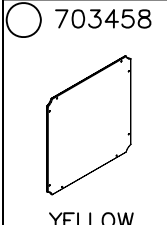
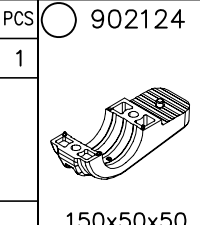
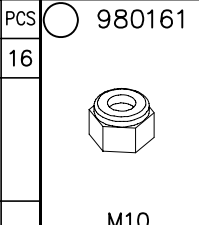
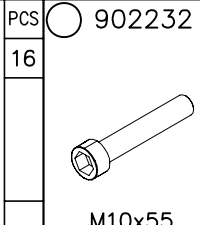
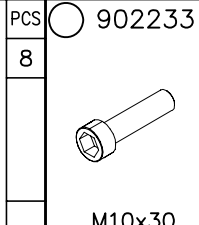
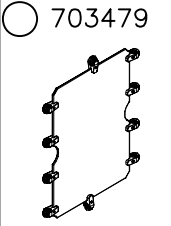
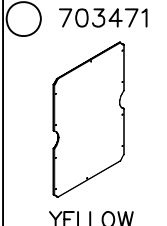
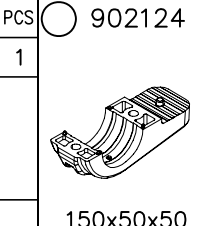
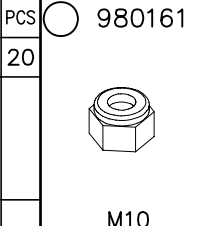
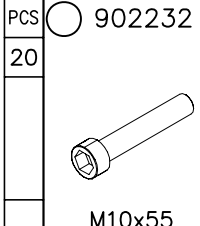
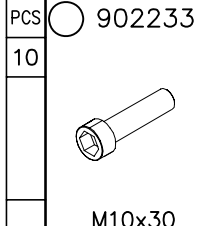
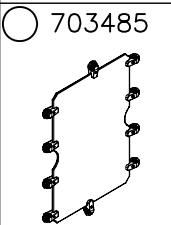
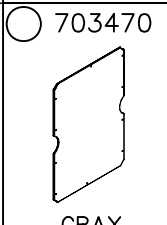
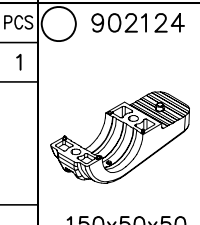
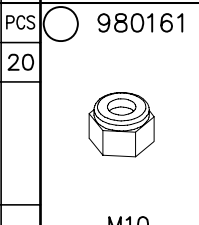
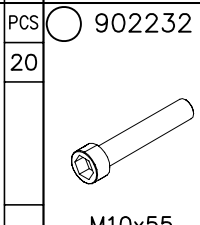
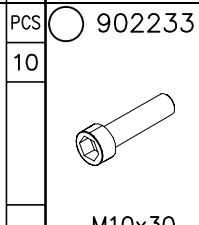
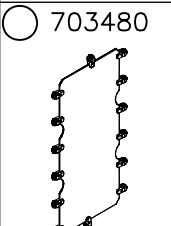
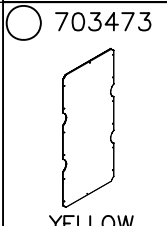
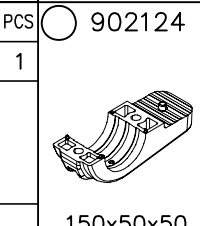
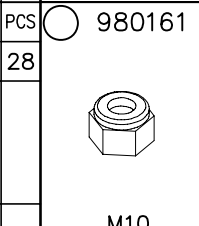
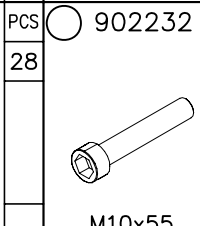
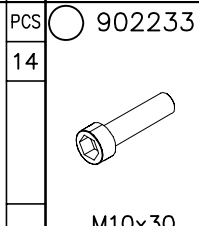
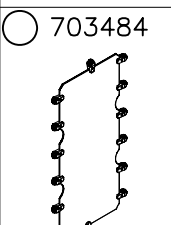
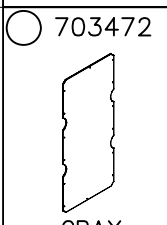
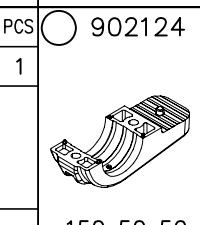
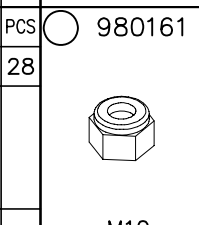
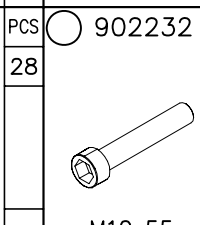
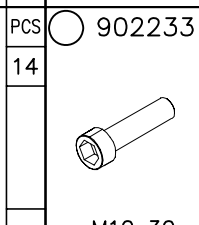
LAPPSET®

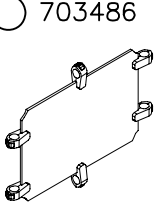
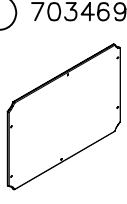
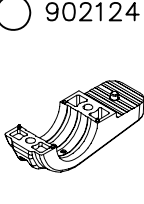
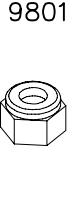
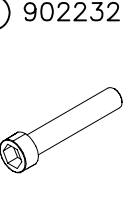
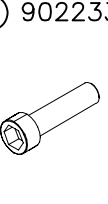
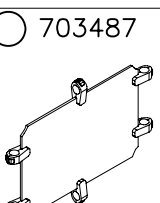
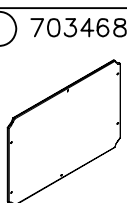
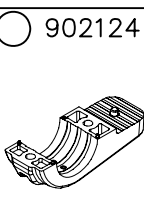

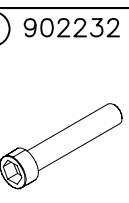
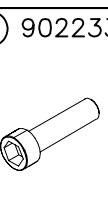
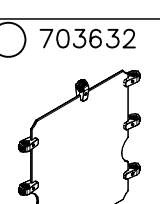
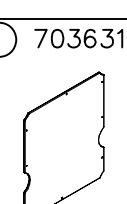
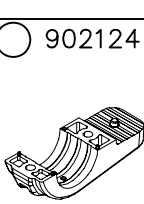

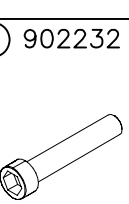

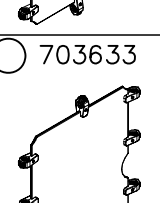
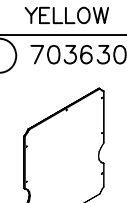
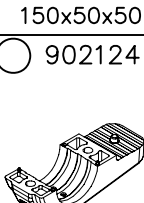

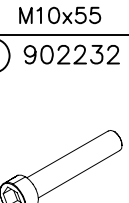
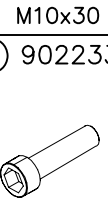
WALL

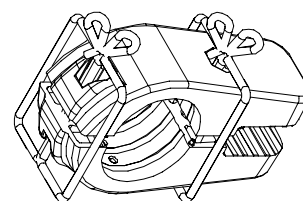
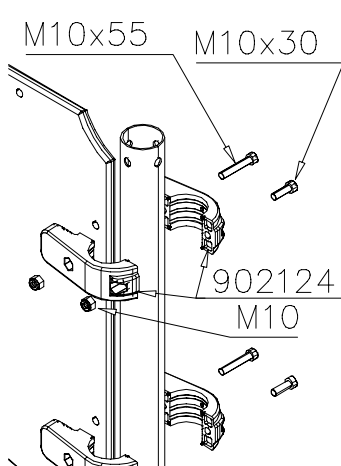
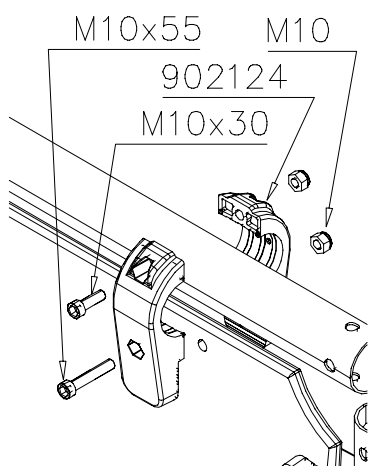
PARKOUR

DATE: 17.11.2010

1(2)

	 GRAY	PCS 1	 150x50x50	PCS 16	 M10	PCS 16	 M10x55	PCS 8	 M10x30	PCS 8		PCS
	 YELLOW	PCS 1	 150x50x50	PCS 16	 M10	PCS 16	 M10x55	PCS 8	 M10x30	PCS 8		PCS
		PCS		PCS		PCS		PCS		PCS		PCS
	 YELLOW	PCS 1	 150x50x50	PCS 20	 M10	PCS 20	 M10x55	PCS 10	 M10x30	PCS 10		PCS
	 GRAY	PCS 1	 150x50x50	PCS 20	 M10	PCS 20	 M10x55	PCS 10	 M10x30	PCS 10		PCS
		PCS		PCS		PCS		PCS		PCS		PCS
	 YELLOW	PCS 1	 150x50x50	PCS 28	 M10	PCS 28	 M10x55	PCS 14	 M10x30	PCS 14		PCS
	 GRAY	PCS 1	 150x50x50	PCS 28	 M10	PCS 28	 M10x55	PCS 14	 M10x30	PCS 14		PCS

 <p>703486</p>	 <p>703469 YELLOW</p>	<p>PCS</p> <p>1</p>	 <p>902124</p> <p>150x50x50</p>	<p>PCS</p> <p>12</p>	 <p>980161</p> <p>M10</p>	<p>PCS</p> <p>12</p>	 <p>902232</p> <p>M10x55</p>	<p>PCS</p> <p>6</p>	 <p>902233</p> <p>M10x30</p>	<p>PCS</p> <p>6</p>		<p>PCS</p>
 <p>703487</p>	 <p>703468 GRAY</p>	<p>PCS</p> <p>1</p>	 <p>902124</p> <p>150x50x50</p>	<p>PCS</p> <p>12</p>	 <p>980161</p> <p>M10</p>	<p>PCS</p> <p>12</p>	 <p>902232</p> <p>M10x55</p>	<p>PCS</p> <p>6</p>	 <p>902233</p> <p>M10x30</p>	<p>PCS</p> <p>6</p>		<p>PCS</p>
		<p>PCS</p>		<p>PCS</p>		<p>PCS</p>		<p>PCS</p>		<p>PCS</p>		<p>PCS</p>
 <p>703632</p>	 <p>703631 YELLOW</p>	<p>PCS</p> <p>1</p>	 <p>902124</p> <p>150x50x50</p>	<p>PCS</p> <p>16</p>	 <p>980161</p> <p>M10</p>	<p>PCS</p> <p>16</p>	 <p>902232</p> <p>M10x55</p>	<p>PCS</p> <p>8</p>	 <p>902233</p> <p>M10x30</p>	<p>PCS</p> <p>8</p>		<p>PCS</p>
 <p>703633</p>	 <p>703630 GRAY</p>	<p>PCS</p> <p>1</p>	 <p>902124</p> <p>150x50x50</p>	<p>PCS</p> <p>16</p>	 <p>980161</p> <p>M10</p>	<p>PCS</p> <p>16</p>	 <p>902232</p> <p>M10x55</p>	<p>PCS</p> <p>8</p>	 <p>902233</p> <p>M10x30</p>	<p>PCS</p> <p>8</p>		<p>PCS</p>
		<p>PCS</p>		<p>PCS</p>		<p>PCS</p>		<p>PCS</p>		<p>PCS</p>		<p>PCS</p>



NOTE:
Use a wire marked pairs
of the same junction.

Huom!
Käytä langalla merkittyä
paria samassa liitoksessa.