

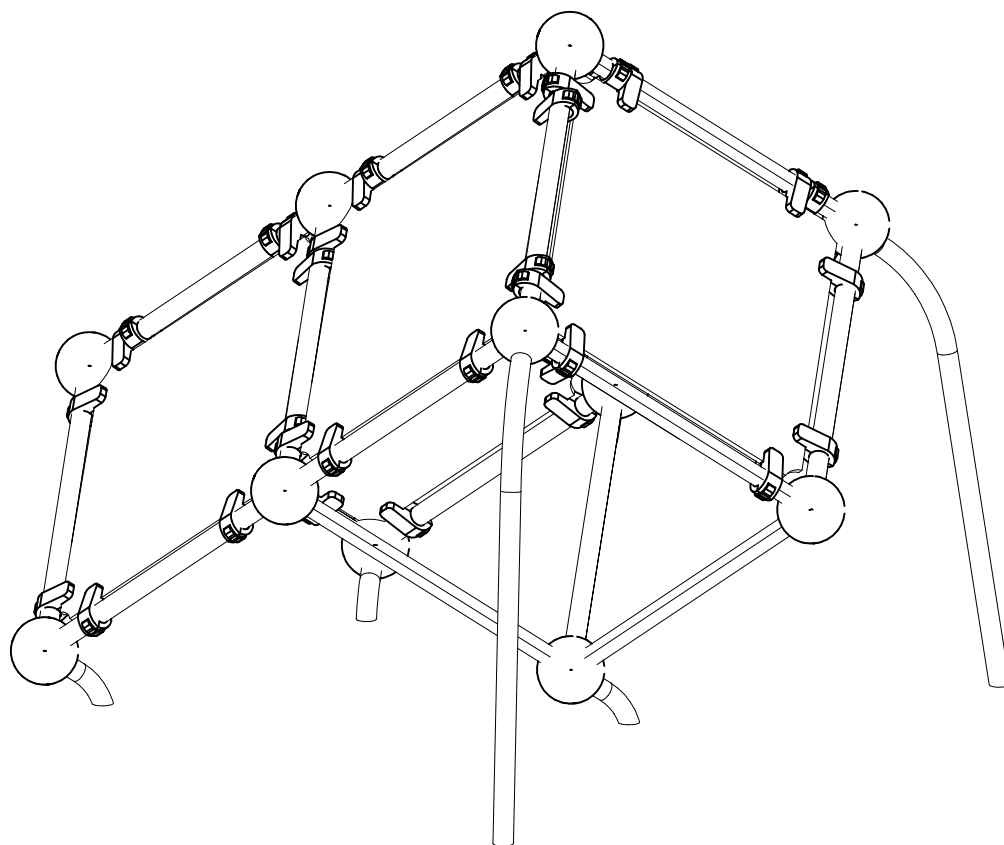
# **LAPPSET®**

## **PARKOUR**


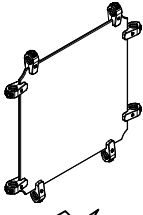
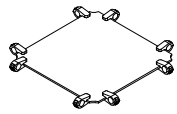
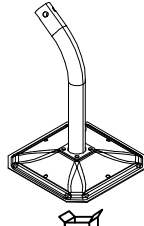

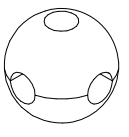
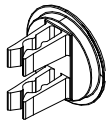
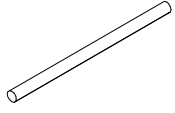
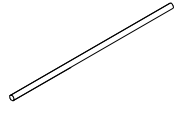
ASENNUSOHJE  
MONTERINGSANSVISNING  
INSTALLATION INSTRUCTION  
AUFBAUANLEITUNG  
NOTICE D'INSTALLATION

DATE: 23.2.2015

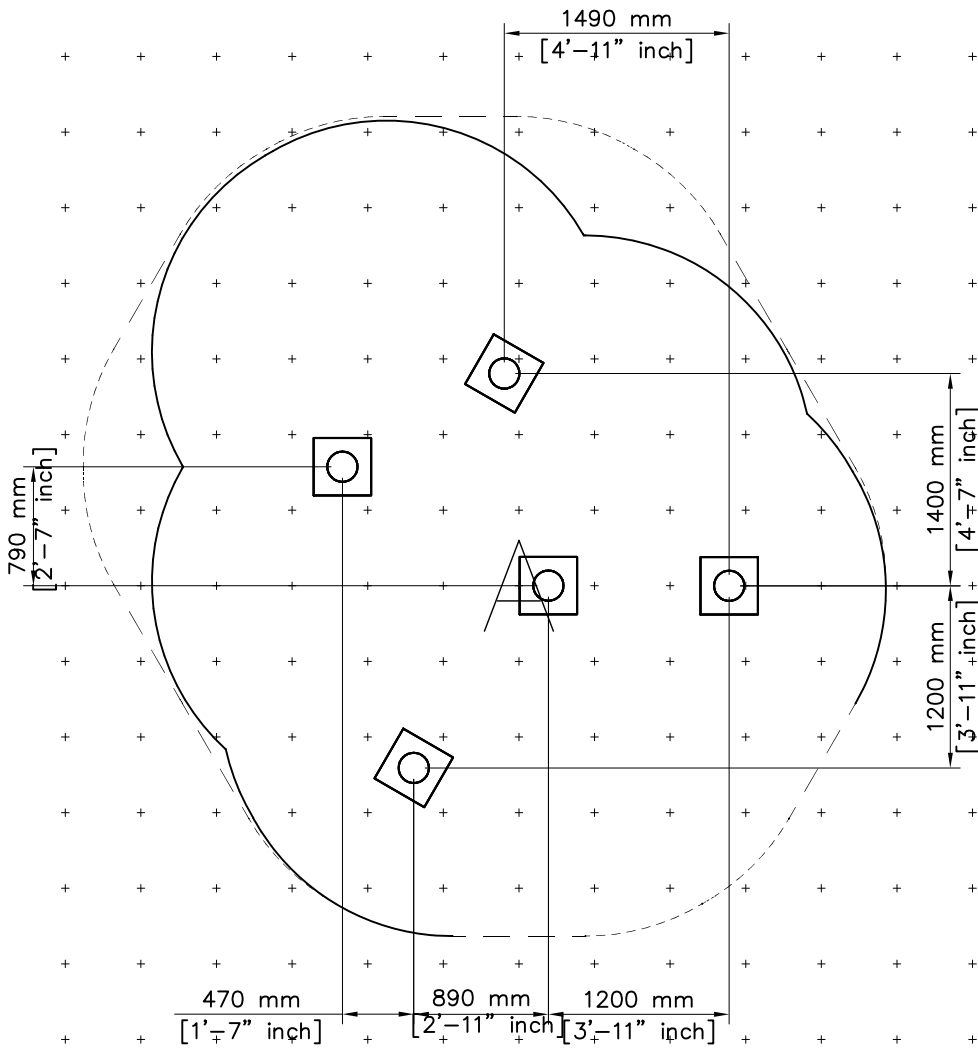
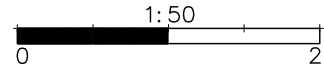
# **220532**



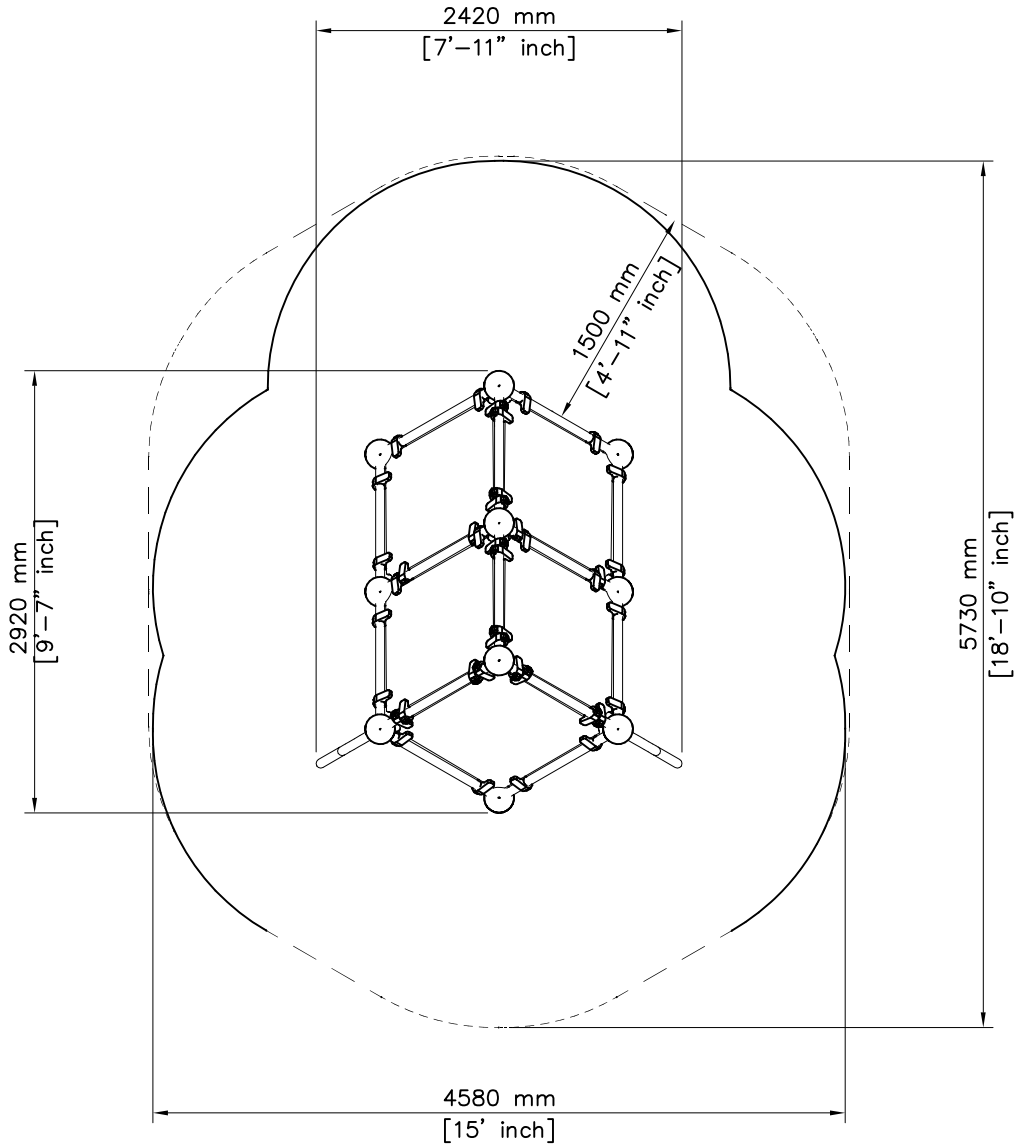
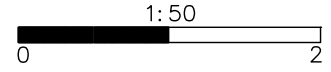
DATE: 23.2.2015

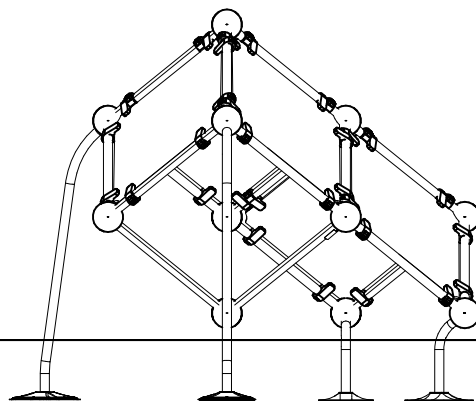
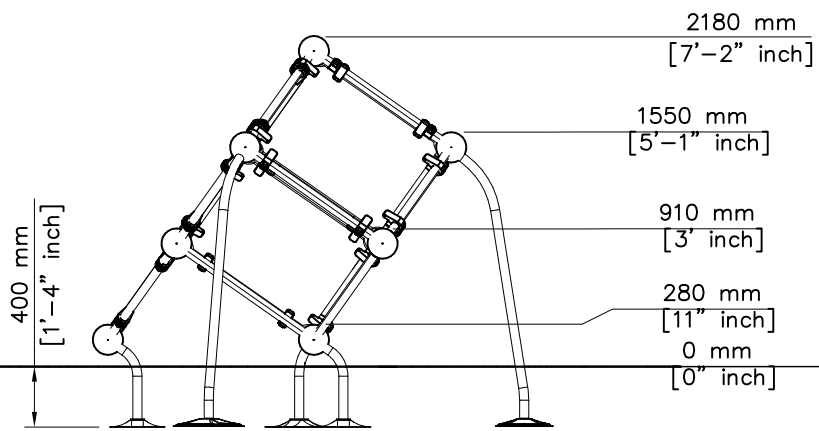
<p>702341</p> <p>PCS</p> <p>1</p>  <p>90x50</p>	<p>703456</p> <p>PCS</p> <p>2</p> 	<p>703459</p> <p>PCS</p> <p>3</p> 	<p>703638</p> <p>PCS</p> <p>3</p> 	<p>703640</p> <p>PCS</p> <p>2</p> 	<p>902134</p> <p>PCS</p> <p>11</p> 
<p>904747</p> <p>PCS</p> <p>27</p>  <p>60x60x2</p>	<p>902424</p> <p>PCS</p> <p>11</p>  <p>L 1034</p>	<p>904389</p> <p>PCS</p> <p>3</p>  <p>L 2148</p>			

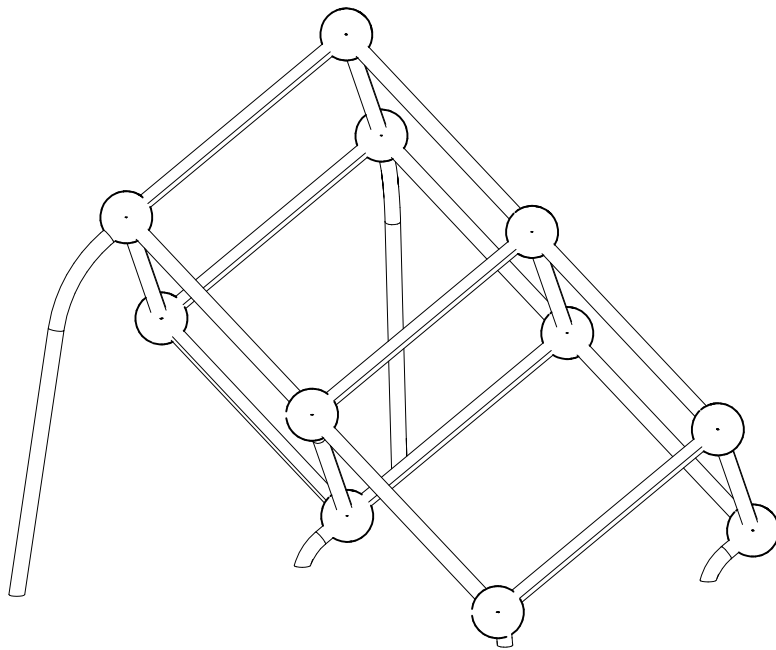
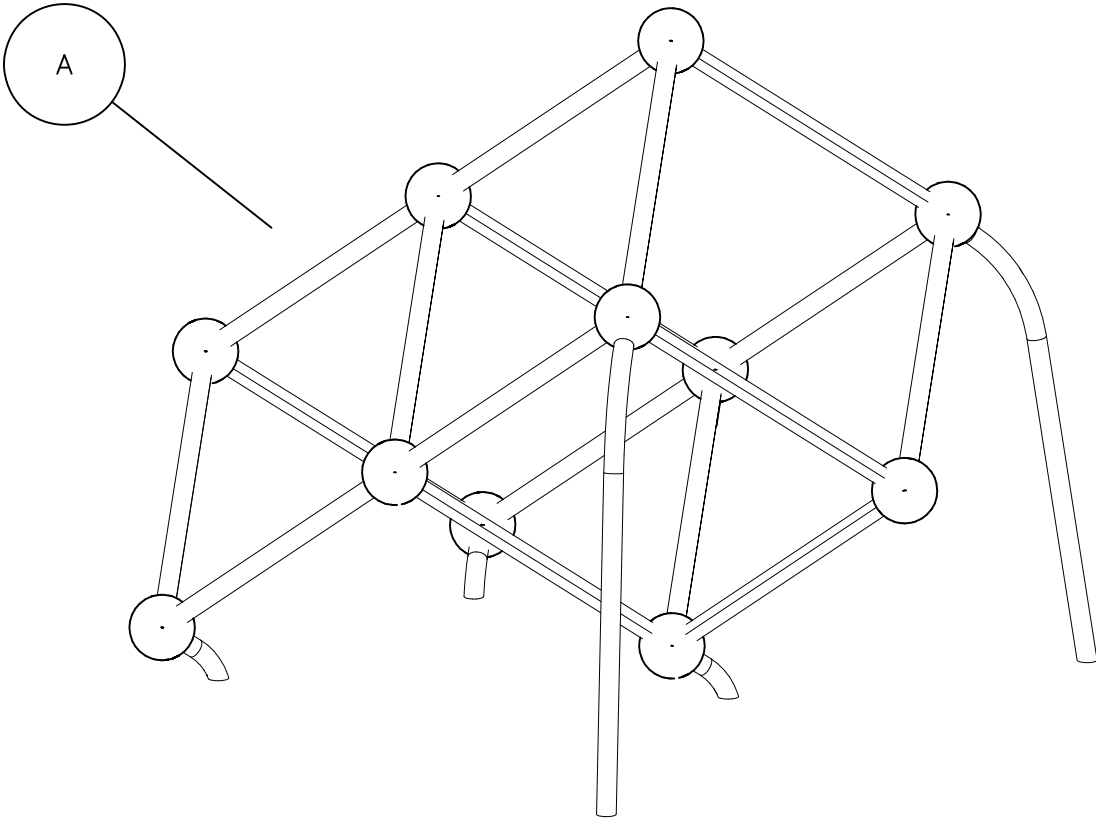
— EN Impact Area 20.1 m<sup>2</sup> (216 sq ft)  
 - - - Falling Space 22 m<sup>2</sup> (237 sq ft)  
 Grid size = 500mm (20" in)

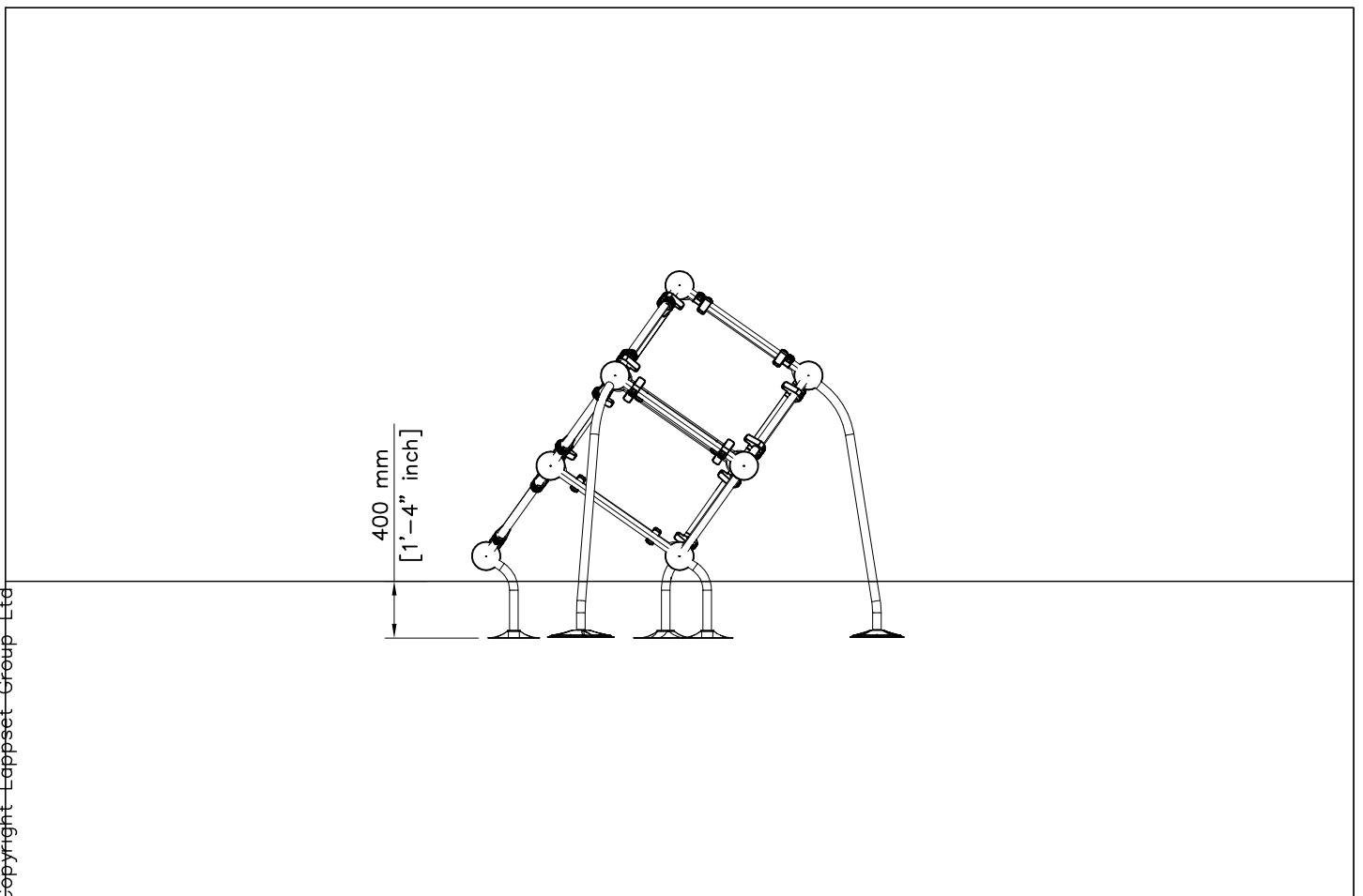
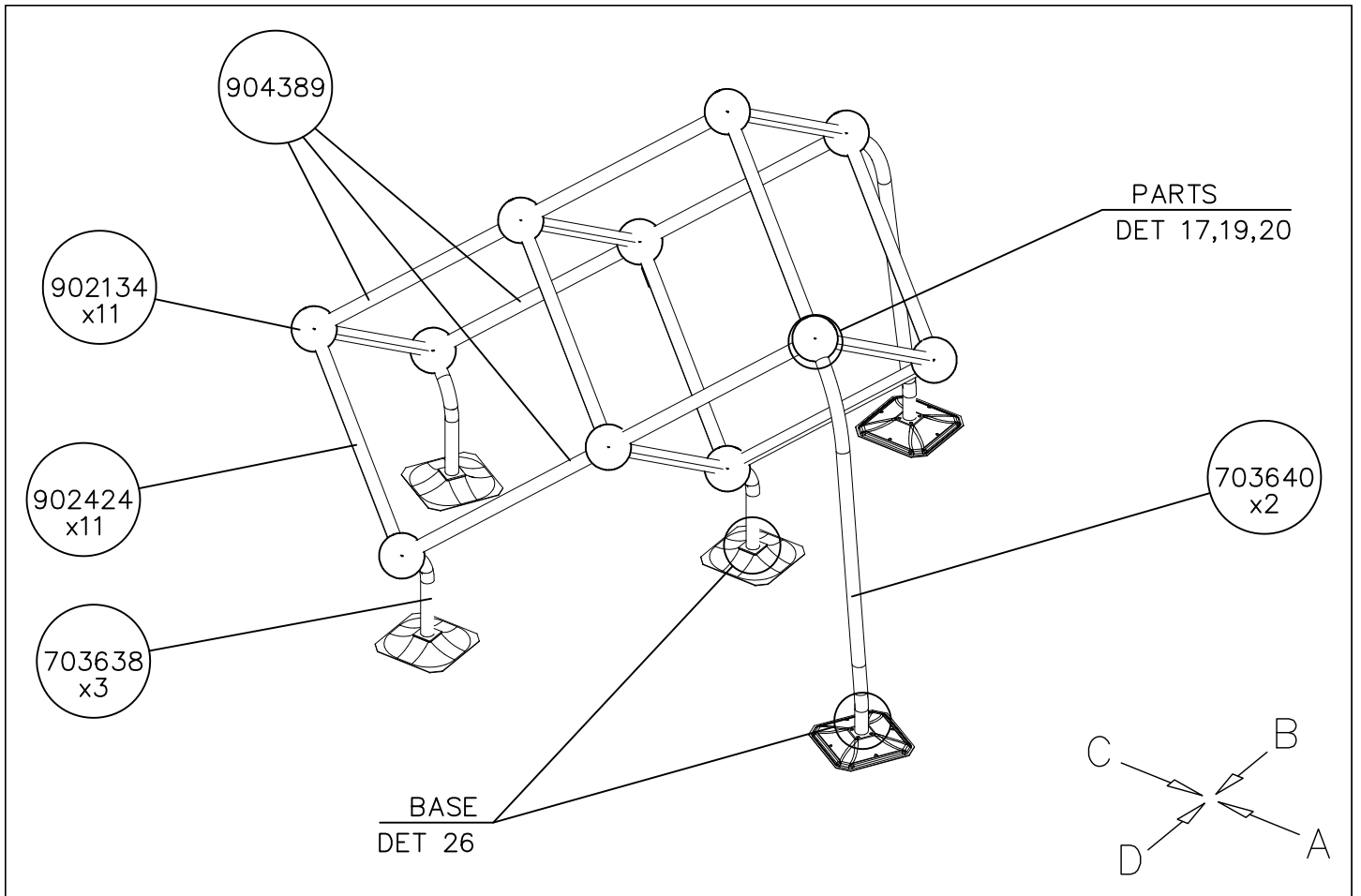


- EN Impact Area 20.1 m<sup>2</sup> (216 sq ft)
- - - - Falling Space 22 m<sup>2</sup> (237 sq ft)
- Max Falling Height 2180 mm (7'-2" in)





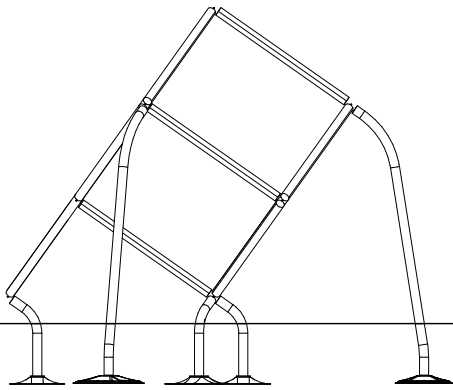




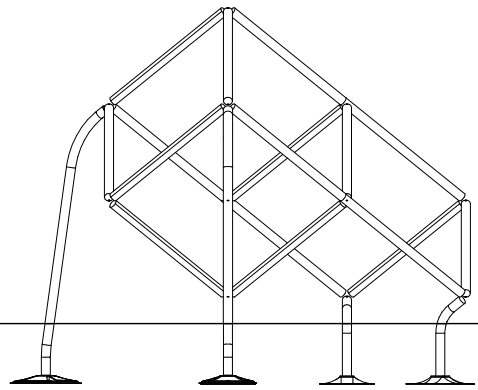
DATE: 23.2.2015

1:50

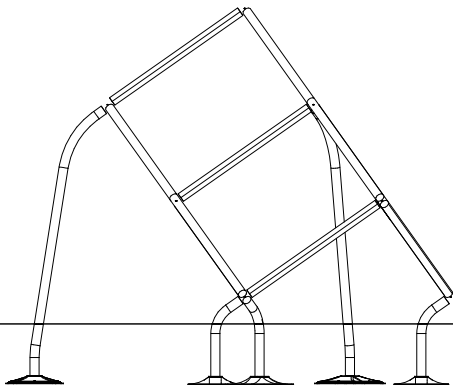
(A)



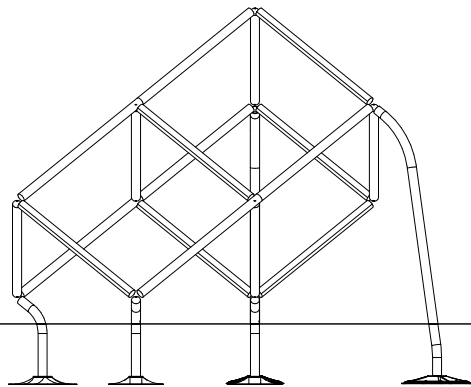
(B)



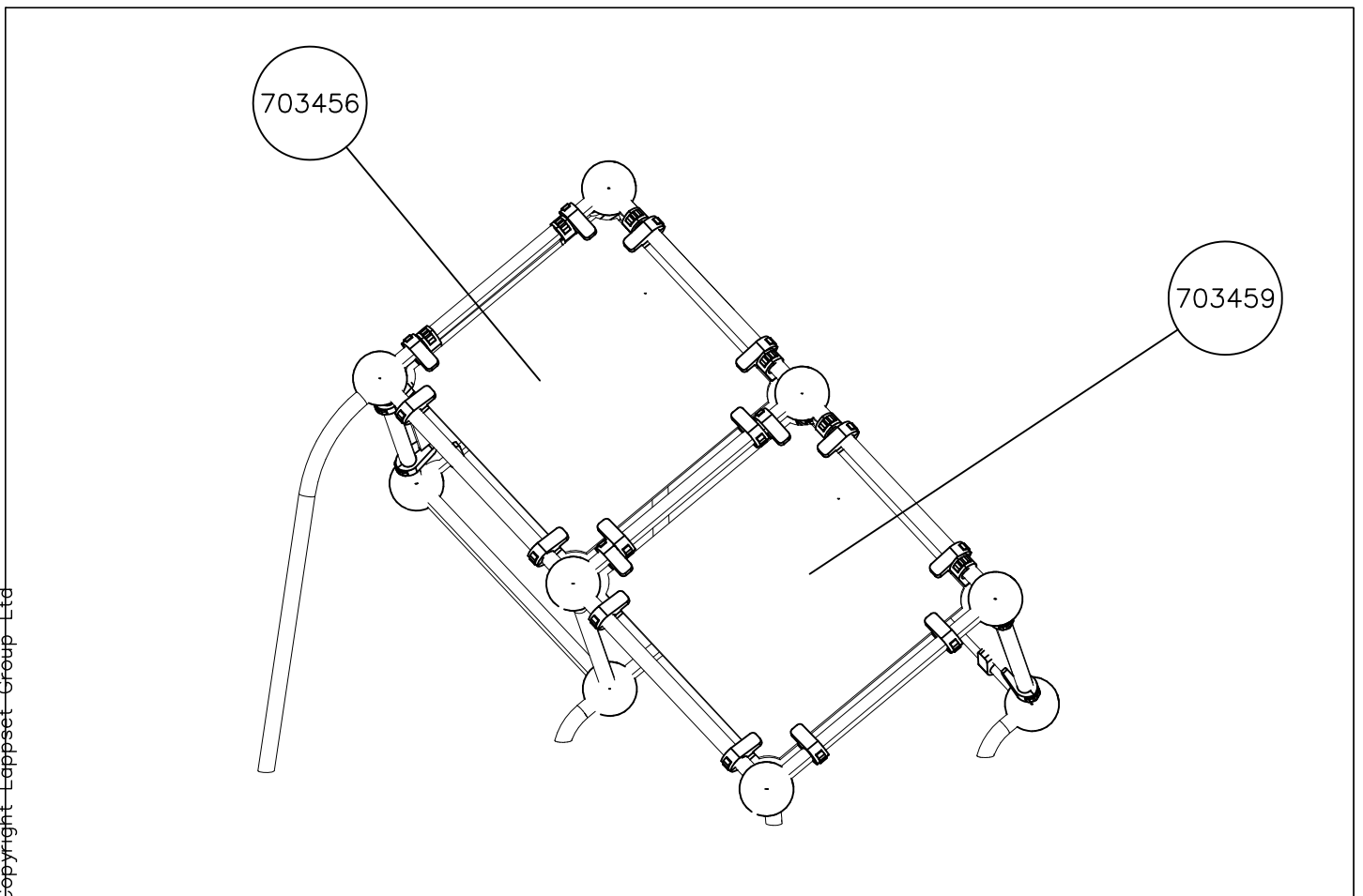
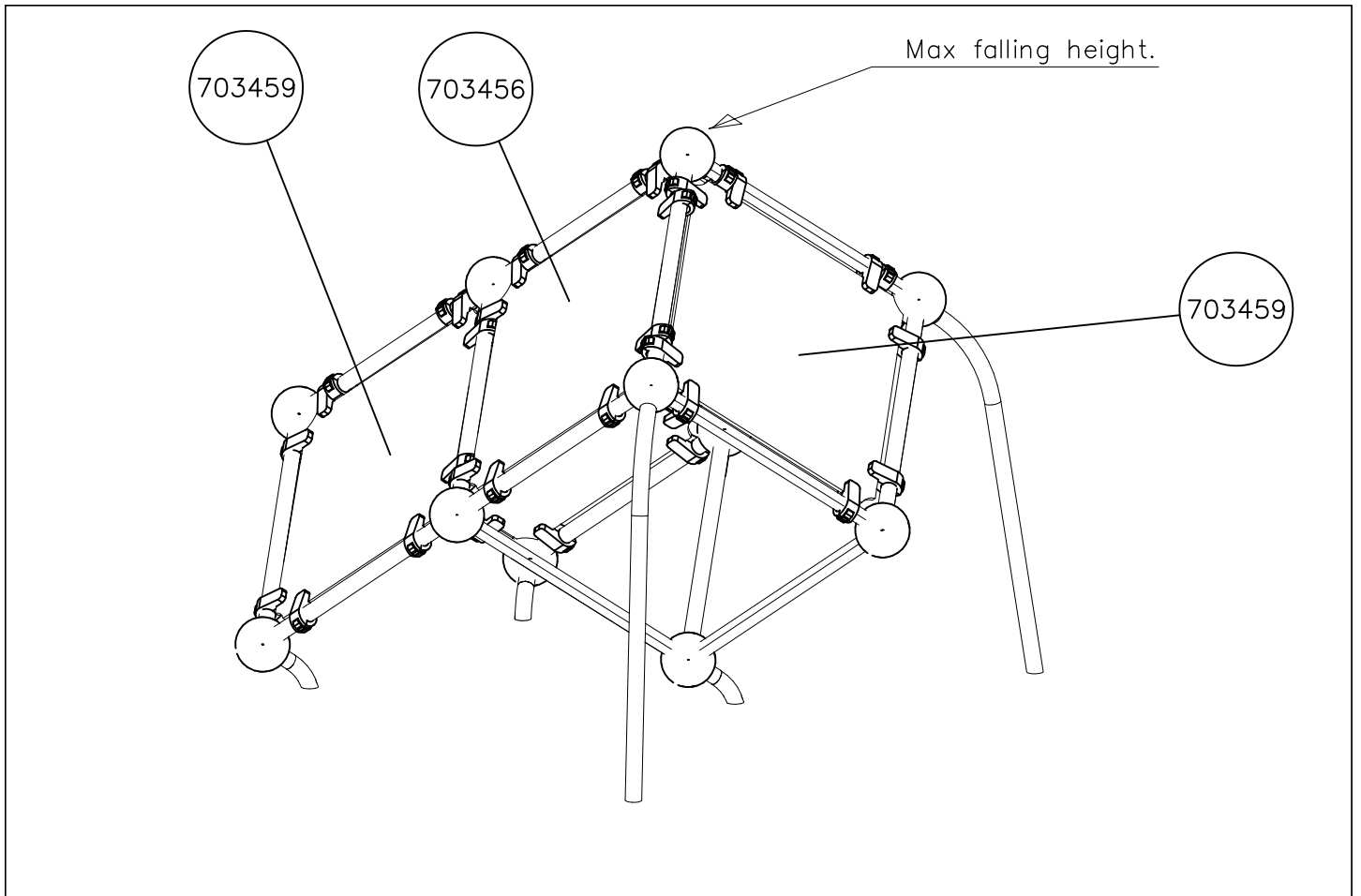
(C)

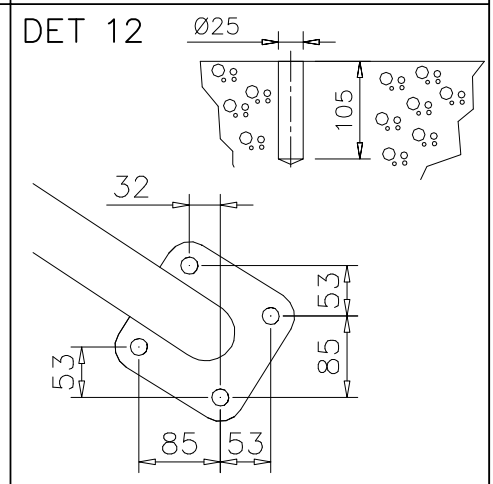
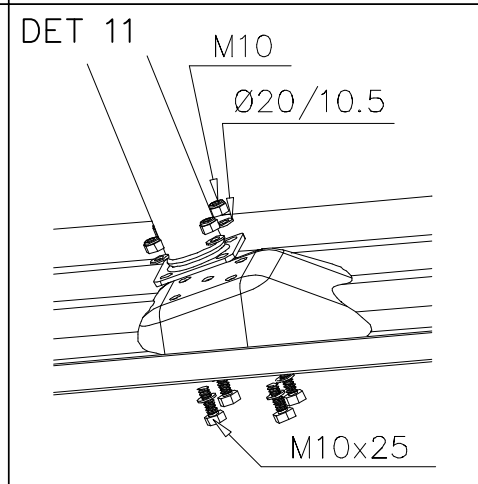
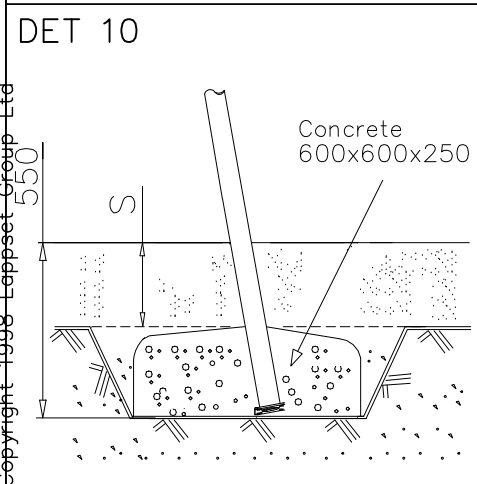
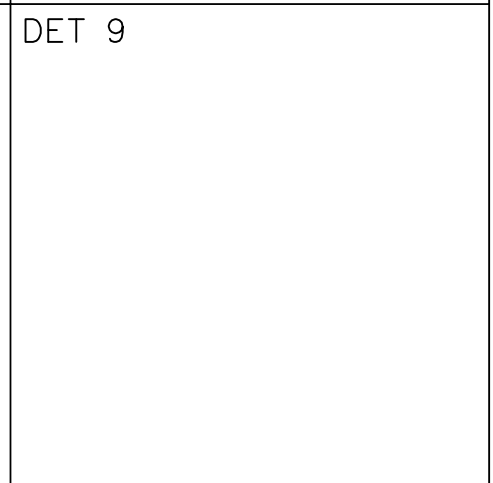
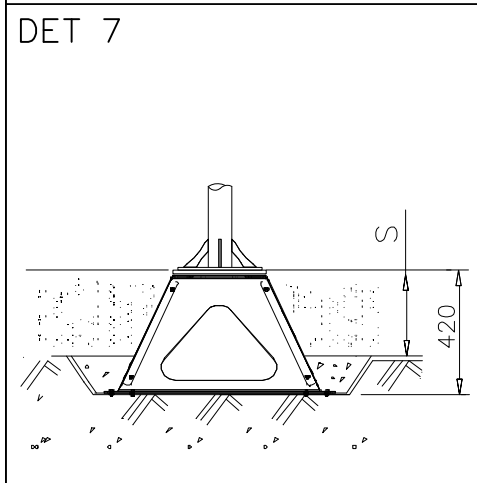
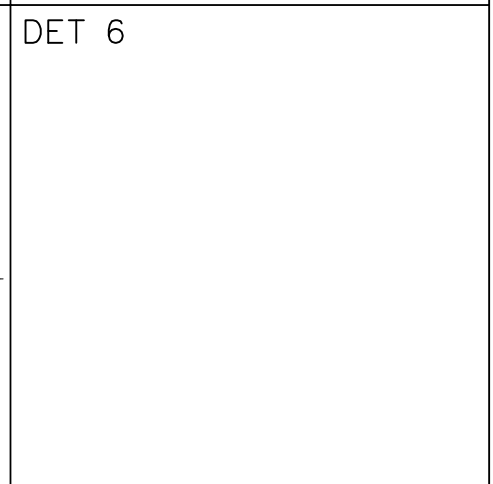
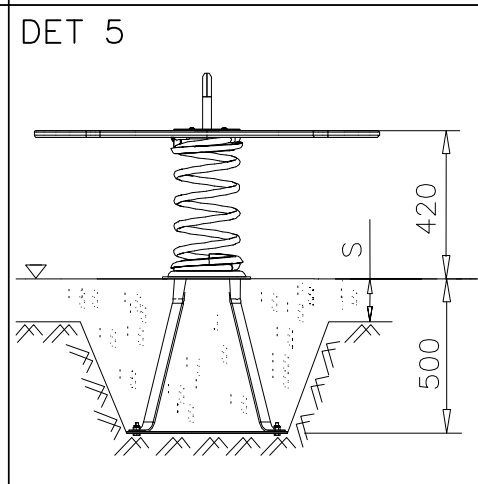
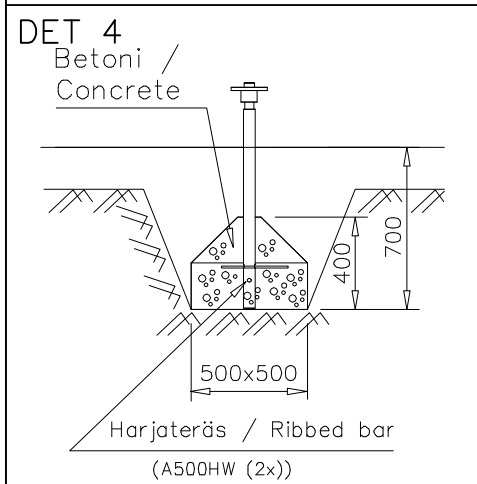
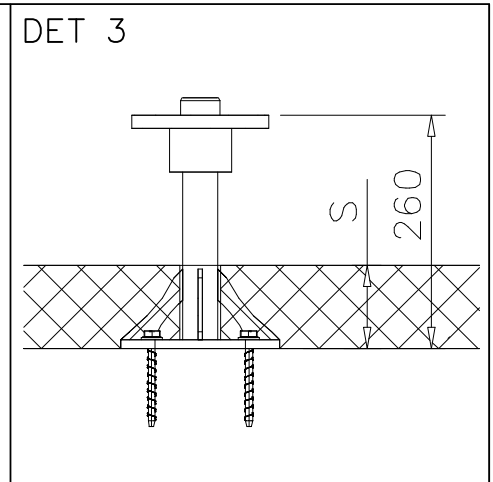
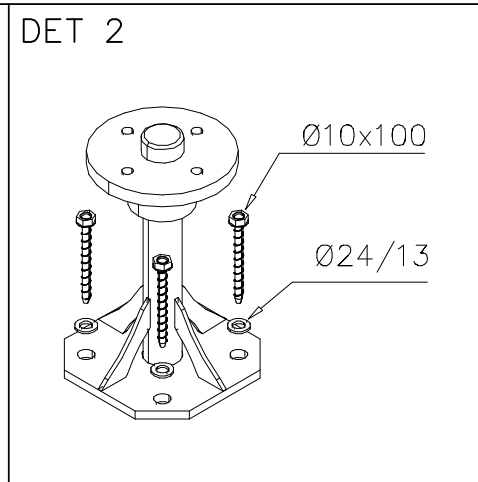
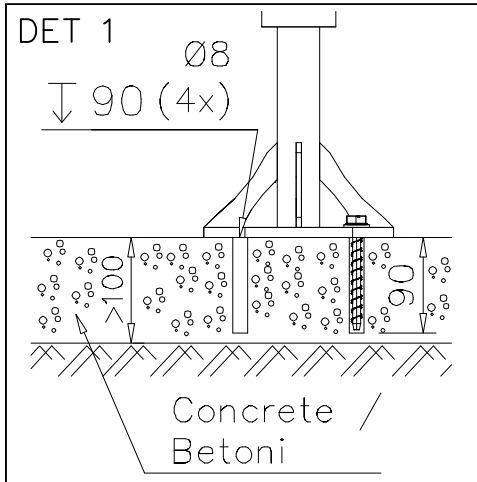


(D)

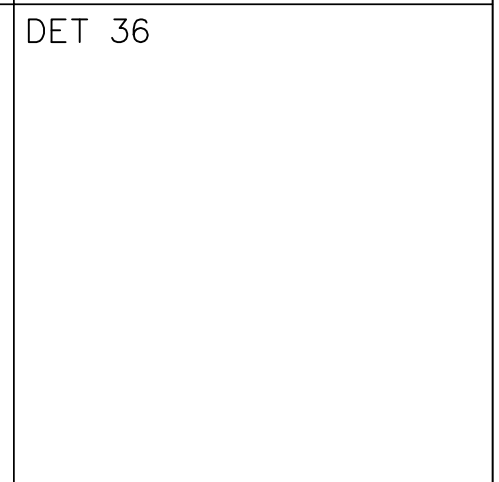
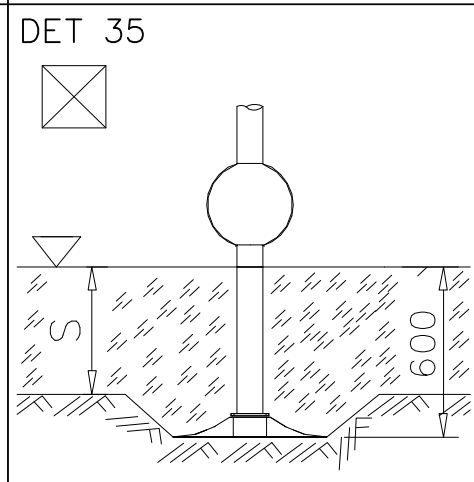
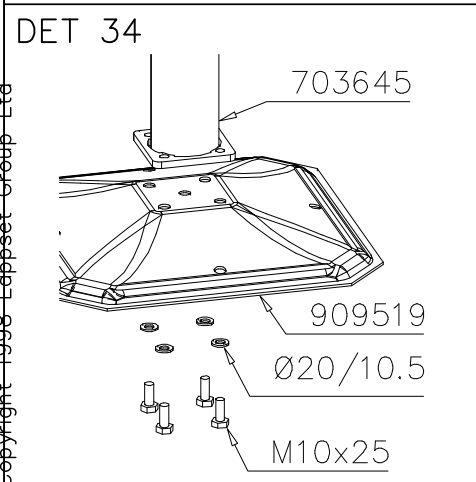
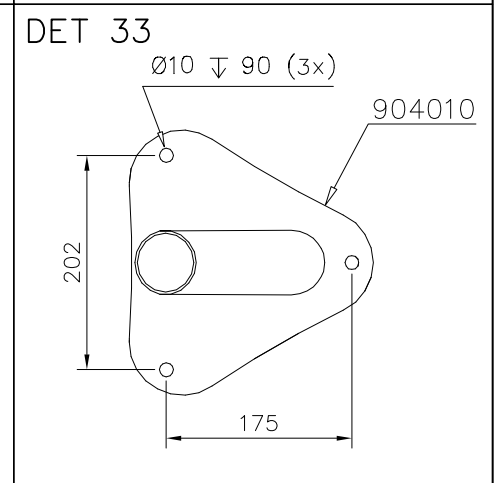
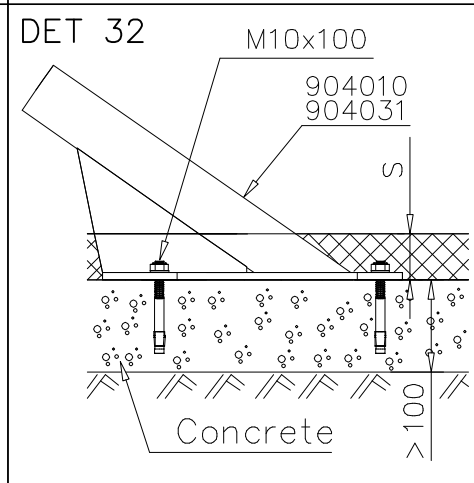
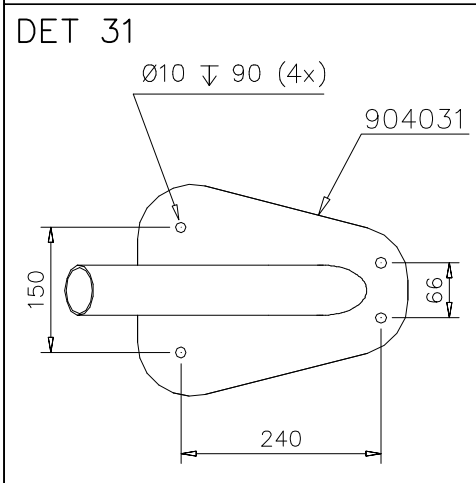
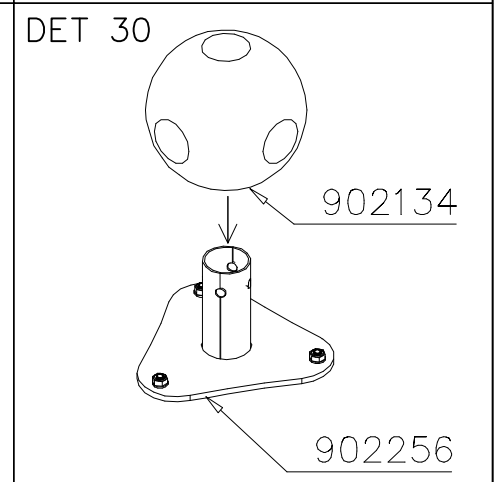
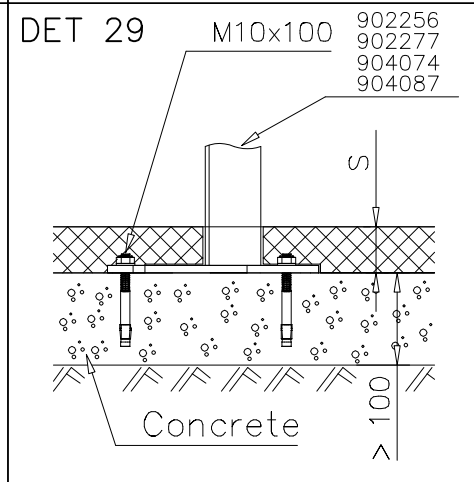
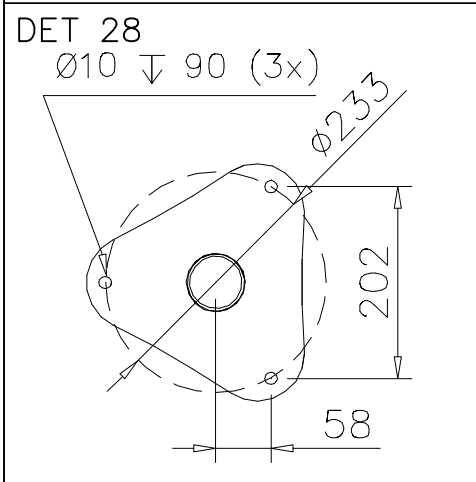
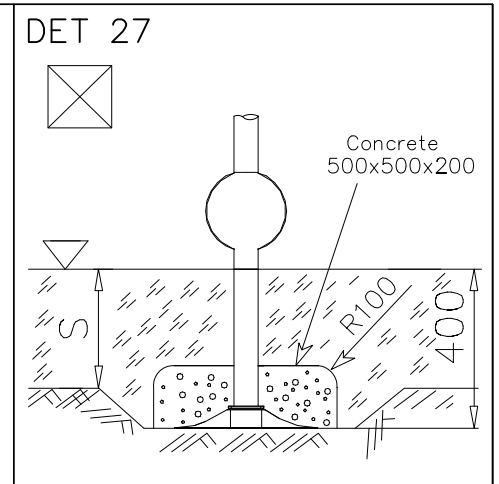
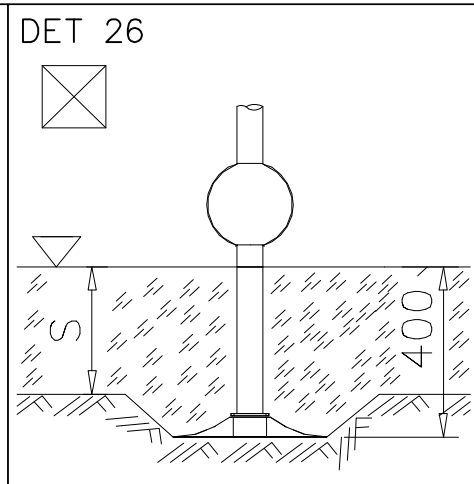
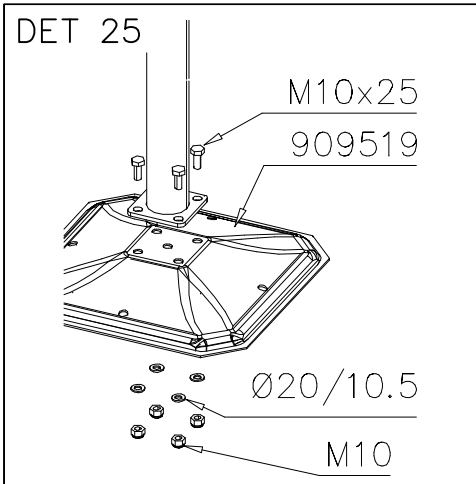








<p>DET 13</p> <p>140 Nm</p> <p>M16x110 Ø30/17x3</p>	<p>DET 14</p>	<p>DET 15</p>
<p>DET 16</p> <p>M12x60 Ø24/13 M12</p>	<p>DET 17</p> <p>M12x35 Ø24/13 M12</p>	<p>DET 18</p> <p>Concrete 500x500x200</p> <p>S 600</p> <p>Harjateräs / Ribbed bar (A500HW (2x))</p>
<p>DET 19</p> <p>ATT! Drilling can be done via hole in rotating flange.</p> <p>Ø8 ↓ 80 (4x)</p> <p>Concrete / Betoni</p> <p>&gt;100</p>	<p>DET 20</p> <p>Ø10x100 Ø24/13</p>	<p>DET 21</p> <p>110</p> <p>S</p>
<p>DET 22</p> <p>M8 Ø16/8.4 M8x40</p>	<p>DET 23</p> <p>Ø10 ↓ 90 (4x)</p> <p>&gt;100 S</p> <p>Betoni / Concrete Safety surface</p>	<p>DET 24</p> <p>M10 M10x100</p>



												
<p><b><math>h &lt; 600</math></b></p> <p>Without movement and therefore without Impact Area</p>	<p>Totally hard surfaces.</p> <p>Note. Lappset does <u>not recommend</u> totally hard surfaces at all.</p>	<p>E.g. concrete or asphalt</p> 										
<p><b><math>h &lt; 600</math></b></p> <p>With movement e.g. rocking</p>	<p>Materials with very limited impact attenuating properties.</p>	<p>E.g. wood</p> 										
<p><b><math>h &lt; 1000</math></b></p>	<p>Materials with significant impact attenuating properties.</p>	<p>fine gravel 0–8 mm</p>  <p>grass</p>  <p>unsorted sand</p> 										
<p><b><math>h &lt; 3000</math></b></p>	<p>Loose fill material</p> <p>E.g. sand/gravel 0,25...8 mm D60/D10&lt;3,0 Woodchips 5...30 mm bark 20...80 mm</p>	 <table data-bbox="1021 1691 1332 1792"> <tr> <td><math>\underline{S}</math></td> <td><math>\underline{h}</math></td> </tr> <tr> <td>30 cm</td> <td>&lt; 2,0 m</td> </tr> <tr> <td>40 cm</td> <td>&lt; 3,0 m</td> </tr> </table>	$\underline{S}$	$\underline{h}$	30 cm	< 2,0 m	40 cm	< 3,0 m				
$\underline{S}$	$\underline{h}$											
30 cm	< 2,0 m											
40 cm	< 3,0 m											
	<p>Syntethic granulates</p> <table data-bbox="406 1892 758 2060"> <tr> <td><math>\underline{S}</math></td> <td><math>\underline{h}</math></td> </tr> <tr> <td>40 mm</td> <td>~&gt; 1,2...1,3 m</td> </tr> <tr> <td>50 mm</td> <td>~&gt; 1,5...1,7 m</td> </tr> <tr> <td>60 mm</td> <td>~&gt; 1,8...2,0 m</td> </tr> <tr> <td>70 mm</td> <td>~&gt; 2,1...2,5 m</td> </tr> </table> <p>Note. For accurate values, see manufacturer's instructions.</p>	$\underline{S}$	$\underline{h}$	40 mm	~> 1,2...1,3 m	50 mm	~> 1,5...1,7 m	60 mm	~> 1,8...2,0 m	70 mm	~> 2,1...2,5 m	
$\underline{S}$	$\underline{h}$											
40 mm	~> 1,2...1,3 m											
50 mm	~> 1,5...1,7 m											
60 mm	~> 1,8...2,0 m											
70 mm	~> 2,1...2,5 m											

REMOVE SAFETY SURFACE/SAND/GRAVEL  
TO CHECK FOUNDATION



REMOVE SAFETY SURFACE/SAND/GRAVEL  
TO CHECK FOUNDATION



<p>DET 1</p> <p>M8x50</p> <p>702845</p> <p>M8</p>	<p>DET 2</p> <p>M8x60 902625</p> <p>702845</p> <p>M8</p>	<p>DET 3</p>
<p>DET 4</p> <p>CUT EXTRA CHAIN</p>	<p>DET 5</p> <p>90Nm</p> <p>M12x110</p> <p>Ø24/13</p> <p>901958</p> <p>M8x35</p> <p>Ø24/13</p> <p>M12 NYLOC</p> <p>M8</p> <p>CUT EXTRA CHAIN</p>	<p>DET 6</p> <p>M12x120 Ø24/12 904801</p> <p>907621</p> <p>901958</p> <p>M8x35</p> <p>Ø24/13</p> <p>M12 NYLOC</p> <p>M8</p> <p>CUT EXTRA CHAIN</p>
<p>DET 7</p> <p>M12x40</p> <p>M12</p> <p>902012</p>	<p>DET 8</p> <p>NOTE: Aluminum thread fasten carefully.</p> <p>903388</p> <p>M8x30</p>	<p>DET 9</p> <p>NOTE: Aluminum thread fasten carefully.</p> <p>702850</p> <p>M8x30</p> <p>903388</p>
<p>DET 10</p> <p>902623</p> <p>M8</p> <p>Ø16/8.4</p> <p>Ø16/8.4</p> <p>M8x30</p>	<p>DET 11</p> <p>M8x30</p> <p>Ø16/8.4</p> <p>M8</p>	<p>DET 12</p> <p>902624</p>

<p>DET 13</p> <p>M10x50</p> <p>Ø20/10.5</p> <p>M10</p>	<p>DET 14</p> <p>M10x40</p> <p>Ø20/10.5</p> <p>M10</p>	<p>DET 15</p> <p>M10x40 (901487)</p> <p>Ø20/10.5x2 (901302)</p> <p>M10 (909637)</p>
<p>DET 16</p> <p>903572</p> <p>903567</p> <p>M8x60</p> <p>GLUE</p>	<p>DET 17</p> <p>M12x90 901994</p> <p>M12</p>	<p>DET 18</p> <p>M12x120</p> <p>M12</p> <p>903574</p>
<p>DET 19</p> <p>M12x90</p> <p>M12</p> <p>902157</p>	<p>DET 20</p> <p>M12</p> <p>901994</p> <p>M12x120</p>	<p>DET 21</p> <p>M8x60</p> <p>M8</p> <p>905067</p>
<p>DET 22</p> <p>703062</p> <p>M8x60</p> <p>GLUE</p>	<p>DET 23</p> <p>M8x60</p> <p>GLUE</p>	<p>DET 24</p> <p>901958</p> <p>903577</p>



### DET 25-26

M12x120

904100

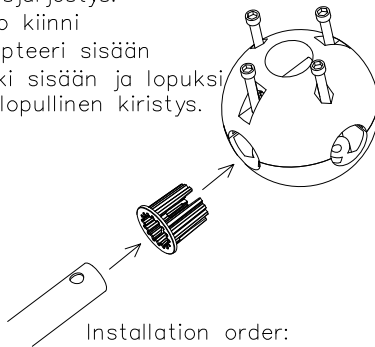
904015

904102

Kun putken pää osuu adapterin kynsiin, adapteri tiukentuu paikoilleen.

Asennusjärjestys:

- 1) Pallo kiinni
- 2) Adapteri sisään
- 3) putki sisään ja lopuksi pallon lopullinen kiristys.



Installation order:

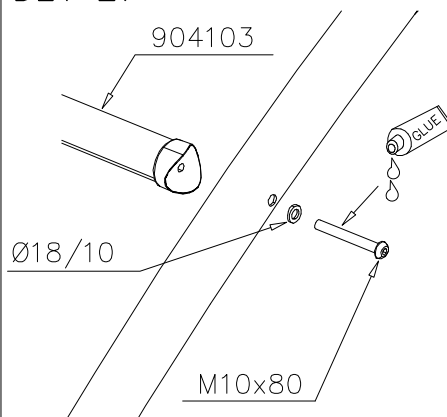
- 1) Close the ball
- 2) Insert adapter
- 3) Insert tube and tighten screws.

### DET 27

904103

Ø18/10

M10x80



### DET 28

906621

M12x35  
(909347)

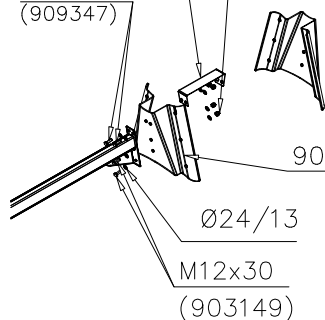
M12

906620

Ø24/13

M12x30  
(903149)

M12 → 60 Nm



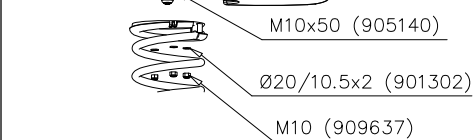
### DET 29



M10x50 (905140)

Ø20/10.5x2 (901302)

M10 (909637)



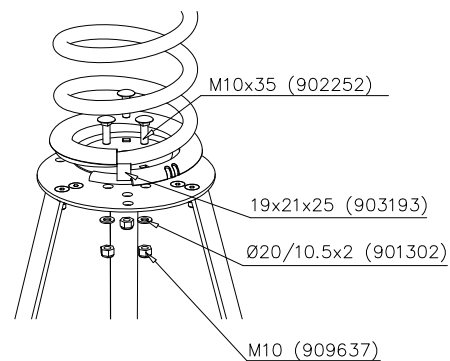
### DET 30

M10x35 (902252)

19x21x25 (903193)

Ø20/10.5x2 (901302)

M10 (909637)



### DET 31

M12 → 60 Nm

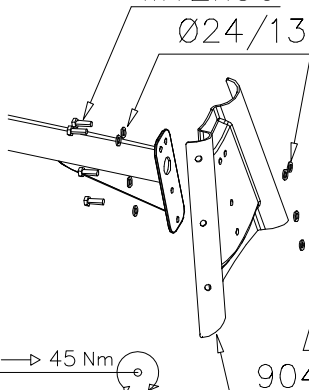
M12x30

Ø24/13

M10 → 45 Nm

M12

904422



### DET 32

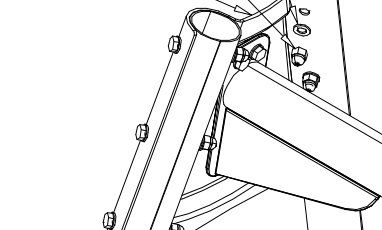
M12 → 60 Nm

M12x100

Ø24/13

M12

904422



### DET 33

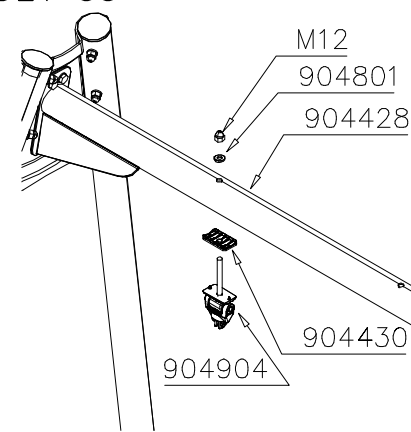
M12

904801

904428

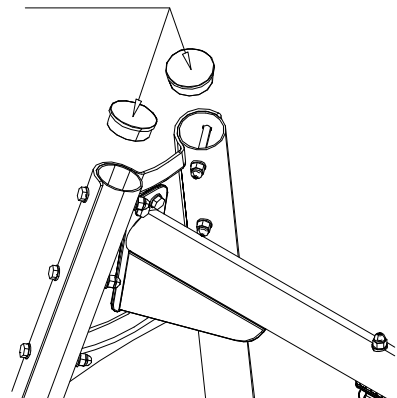
904430

904904

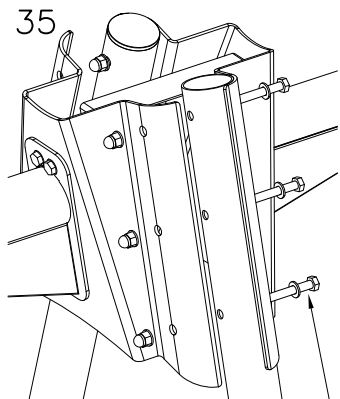


### DET 34

904800

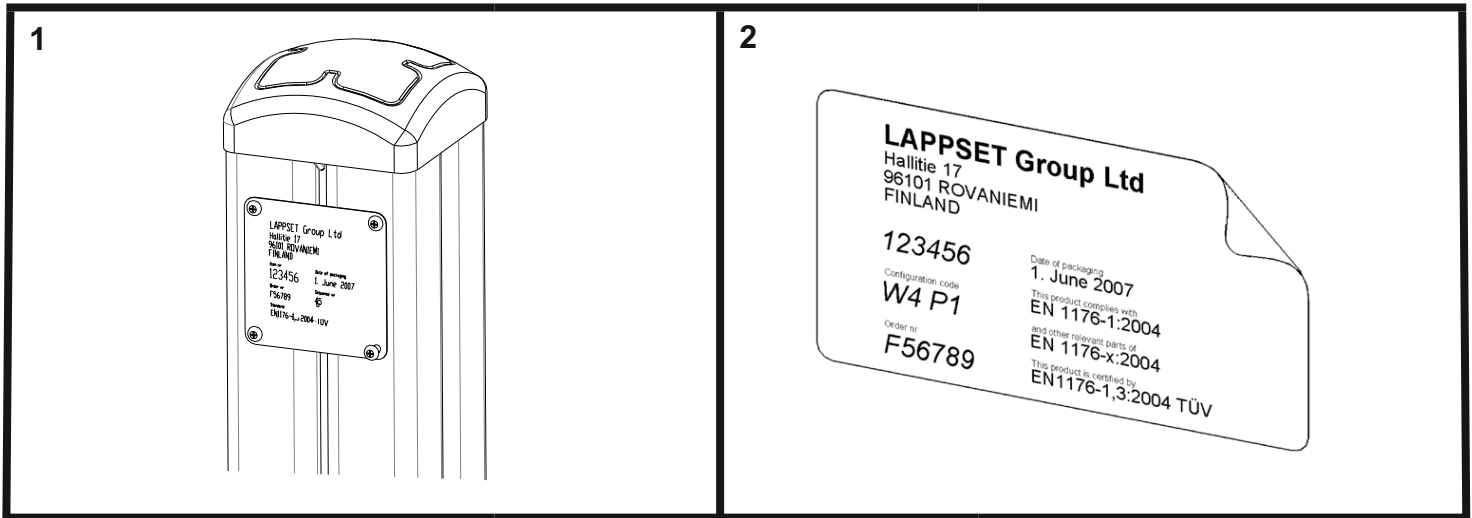


### DET 35



M12x110

### DET 36



**Tuotekyltti tulee tuotteen mukana yhdellä seuraavista tavoista:**

**1) Metallinen tuotekyltti ja kiinnitysruuvit**

- Kiinnitä tuotekyltti ruuveilla tolppaan noin 2 metrin korkeuteen kuvan 2 mukaisesti.

**2) Tuotekylttitarra**

- Puhdista maalattu metalli- tai vaneripinta pölystä ja kosteudesta. Liimaa tarra kuvan 3 mukaisesti.
- Huom. Älä kiinnitä tarraa karheapintaiseen laminaattiin tai maalattuun puuhun.

**Vår produktmärkning levereras på ett av följande sätt:**

**1) Produktskylt i metall**

- Fäst skylten med de medföljande skruvarna

**2) Självhäftande produktetikett**

- Rengördenpulverlackerademetallytanellerlaminatytansåattdenblirfrifrånsmutsochfukt.Fästetikettenenligtfig.3.
- Obs! Fäst ej etiketten på detaljer med skrovlig yta eller på målat trä.

**Product label is delivered by one of following ways:**

**1) Metal product label and screws**

- Fasten the label with screws.

**2) Label sticker**

- Cleanthepaintedmetalorplywoodsurfacefromdirtandmoisture.Fastenthestickerasshowninthefigure3.
- Note. Do not attach the sticker to rough surfaced laminate or painted wood.

**La plaque d'informations produit est livrée sous l'une de ces 3 formes :**

**1) Plaque métallique et vis**

- Fixez la plaque à l'aide des vis.

**2) Etiquette autocollante**

- Avant de coller l'étiquette, nettoyez le composant métallique peint ou la plaque de contreplaqué, de toute saleté. La surface doit être sèche (voir image 3).
- Attention, ne pas coller l'étiquette sur une surface lamellé-collée irrégulière ou sur du bois peint.

**Die Auslieferung des Produktaufklebers erfolgt auf eine dieser Arten:**

**1) Produkt-Schild aus Metall incl. Schrauben**

- Die Befestigung des Schildes erfolgt mittels der Schrauben.

**2) Aufkleber**

- EntfernenSiezunächstSchmutzundFeuchtigkeitvomlackiertenMetallbzw.vonderHolzoberflächeundbringenSiedenAufkleber wie im Bild oben rechts beschrieben auf den gesäuberten Untergrund auf.
- Beachten Sie: Bringen Sie den Aufkleber nicht auf raues laminiertes oder lackiertes Holz an.

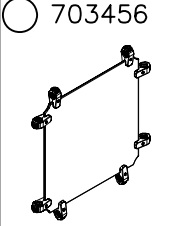
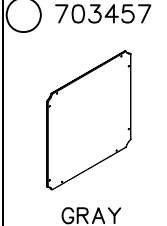
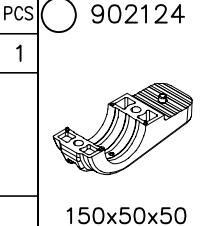
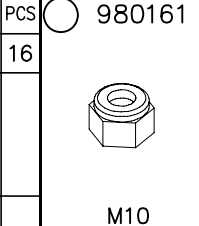
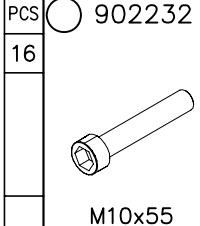
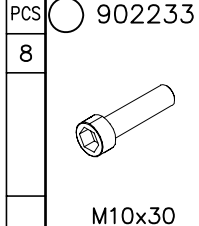
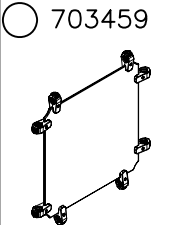
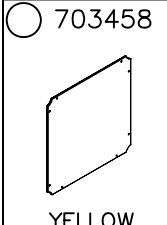
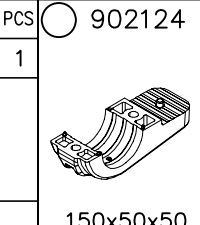
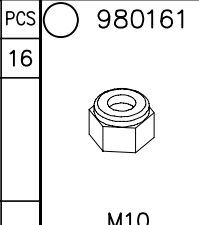
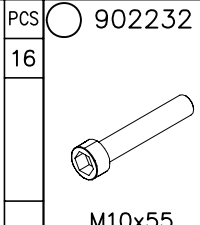
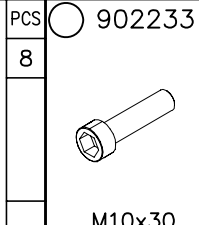
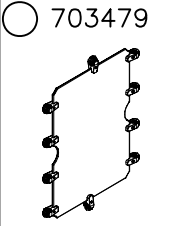
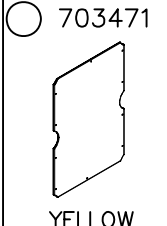
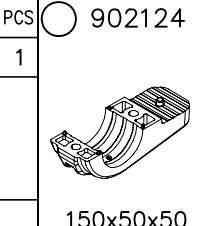
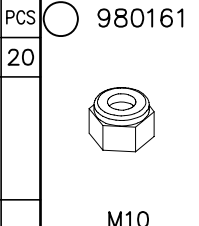
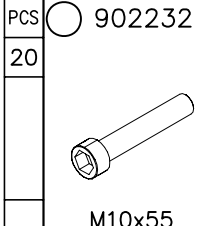
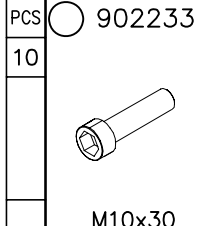
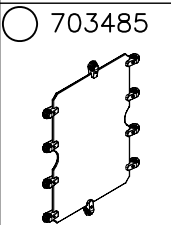
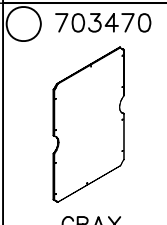
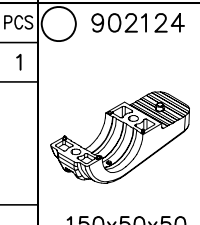
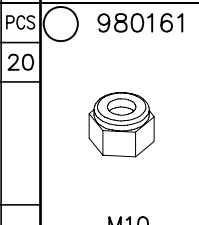
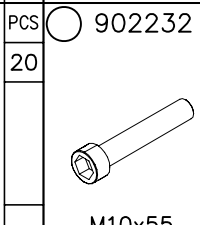
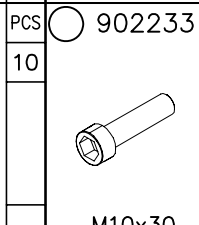
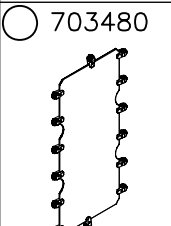
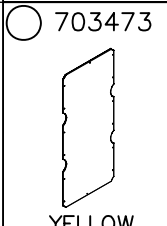
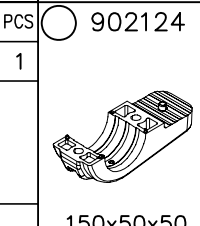
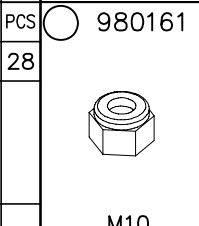
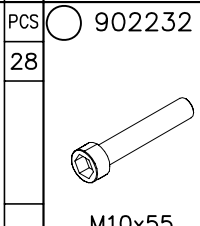
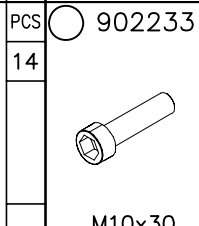
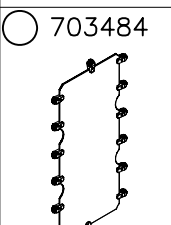
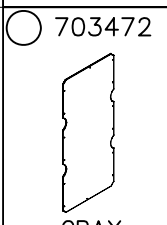
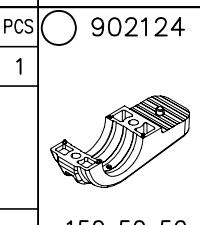
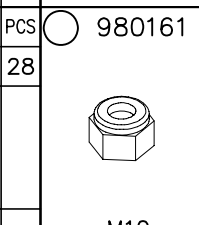
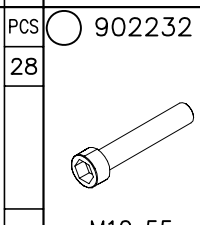
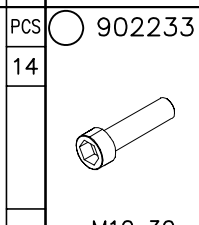
# LAPPSET®

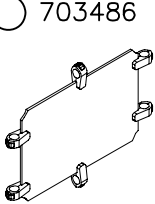
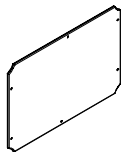
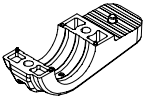
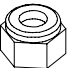
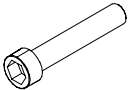
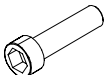
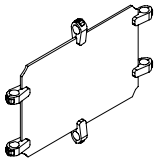
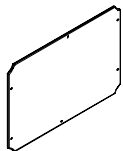
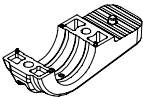

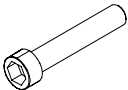
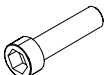
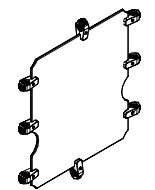
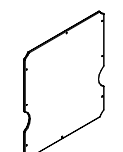
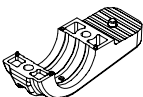
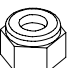
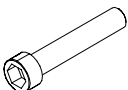
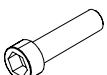
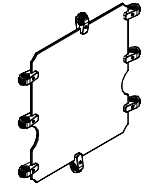
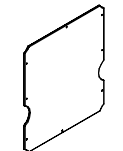
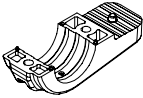
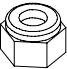
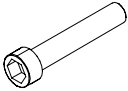
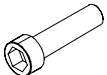
## WALL

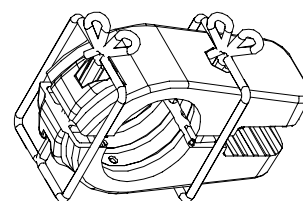
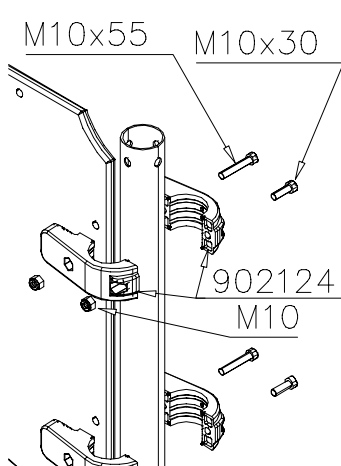
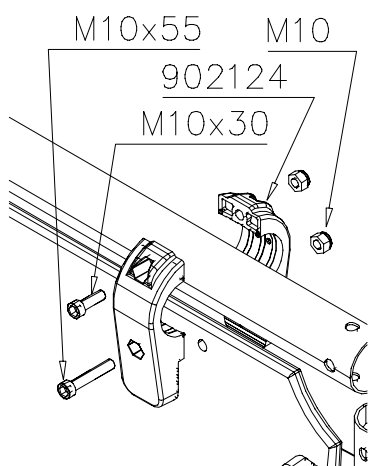
# PARKOUR

DATE: 17.11.2010

1(2)

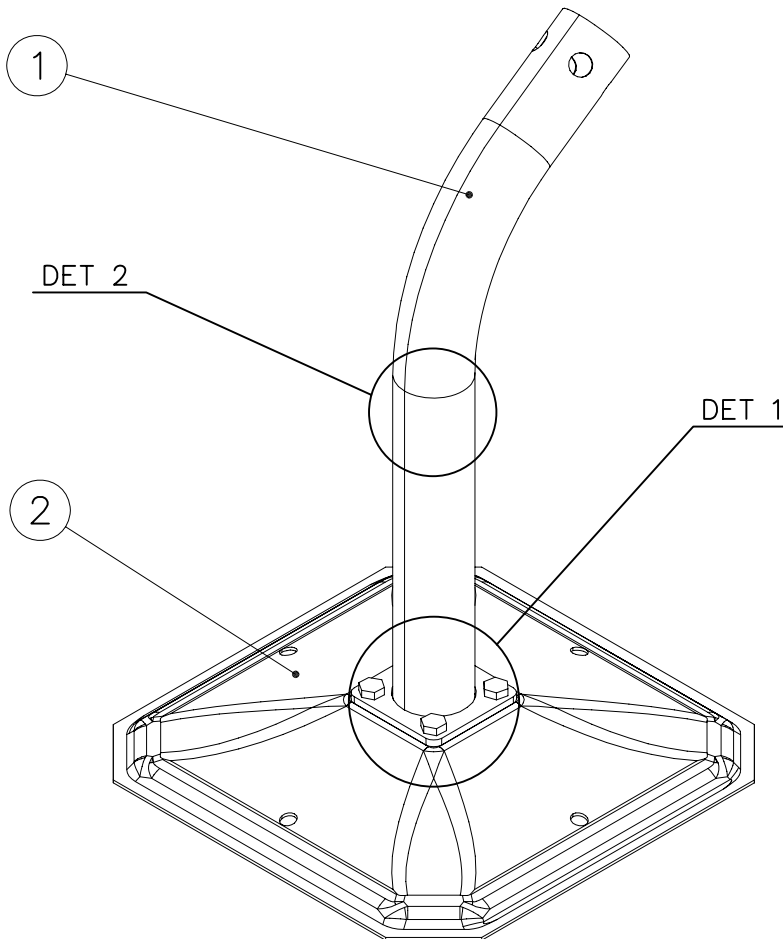
	 GRAY	PCS 1	 150x50x50	PCS 16	 M10	PCS 16	 M10x55	PCS 8	 M10x30	PCS 8		PCS
	 YELLOW	PCS 1	 150x50x50	PCS 16	 M10	PCS 16	 M10x55	PCS 8	 M10x30	PCS 8		PCS
		PCS		PCS		PCS		PCS		PCS		PCS
	 YELLOW	PCS 1	 150x50x50	PCS 20	 M10	PCS 20	 M10x55	PCS 10	 M10x30	PCS 10		PCS
	 GRAY	PCS 1	 150x50x50	PCS 20	 M10	PCS 20	 M10x55	PCS 10	 M10x30	PCS 10		PCS
		PCS		PCS		PCS		PCS		PCS		PCS
	 YELLOW	PCS 1	 150x50x50	PCS 28	 M10	PCS 28	 M10x55	PCS 14	 M10x30	PCS 14		PCS
	 GRAY	PCS 1	 150x50x50	PCS 28	 M10	PCS 28	 M10x55	PCS 14	 M10x30	PCS 14		PCS

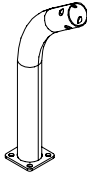
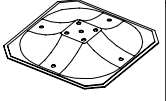


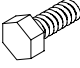
 <p>703486</p>	 <p>703469 YELLOW</p>	<p>PCS</p> <p>1</p>	 <p>902124 150x50x50</p>	<p>PCS</p> <p>12</p>	 <p>980161 M10</p>	<p>PCS</p> <p>12</p>	 <p>902232 M10x55</p>	<p>PCS</p> <p>6</p>	 <p>902233 M10x30</p>	<p>PCS</p> <p>6</p>		<p>PCS</p>
 <p>703487</p>	 <p>703468 GRAY</p>	<p>PCS</p> <p>1</p>	 <p>902124 150x50x50</p>	<p>PCS</p> <p>12</p>	 <p>980161 M10</p>	<p>PCS</p> <p>12</p>	 <p>902232 M10x55</p>	<p>PCS</p> <p>6</p>	 <p>902233 M10x30</p>	<p>PCS</p> <p>6</p>		<p>PCS</p>
		<p>PCS</p>		<p>PCS</p>		<p>PCS</p>		<p>PCS</p>		<p>PCS</p>		<p>PCS</p>
 <p>703632</p>	 <p>703631 YELLOW</p>	<p>PCS</p> <p>1</p>	 <p>902124 150x50x50</p>	<p>PCS</p> <p>16</p>	 <p>980161 M10</p>	<p>PCS</p> <p>16</p>	 <p>902232 M10x55</p>	<p>PCS</p> <p>8</p>	 <p>902233 M10x30</p>	<p>PCS</p> <p>8</p>		<p>PCS</p>
 <p>703633</p>	 <p>703630 GRAY</p>	<p>PCS</p> <p>1</p>	 <p>902124 150x50x50</p>	<p>PCS</p> <p>16</p>	 <p>980161 M10</p>	<p>PCS</p> <p>16</p>	 <p>902232 M10x55</p>	<p>PCS</p> <p>8</p>	 <p>902233 M10x30</p>	<p>PCS</p> <p>8</p>		<p>PCS</p>
		<p>PCS</p>		<p>PCS</p>		<p>PCS</p>		<p>PCS</p>		<p>PCS</p>		<p>PCS</p>

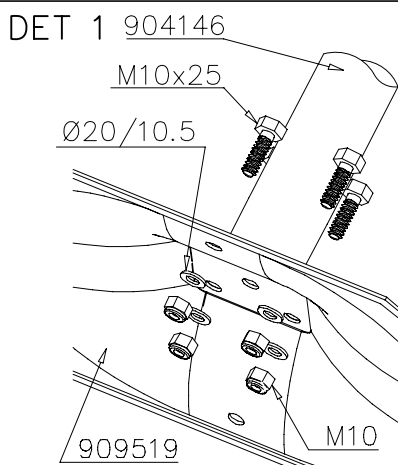


NOTE:  
Use a wire marked pairs  
of the same junction.

Huom!  
Käytä langalla merkittyä  
paria samassa liitoksessa.

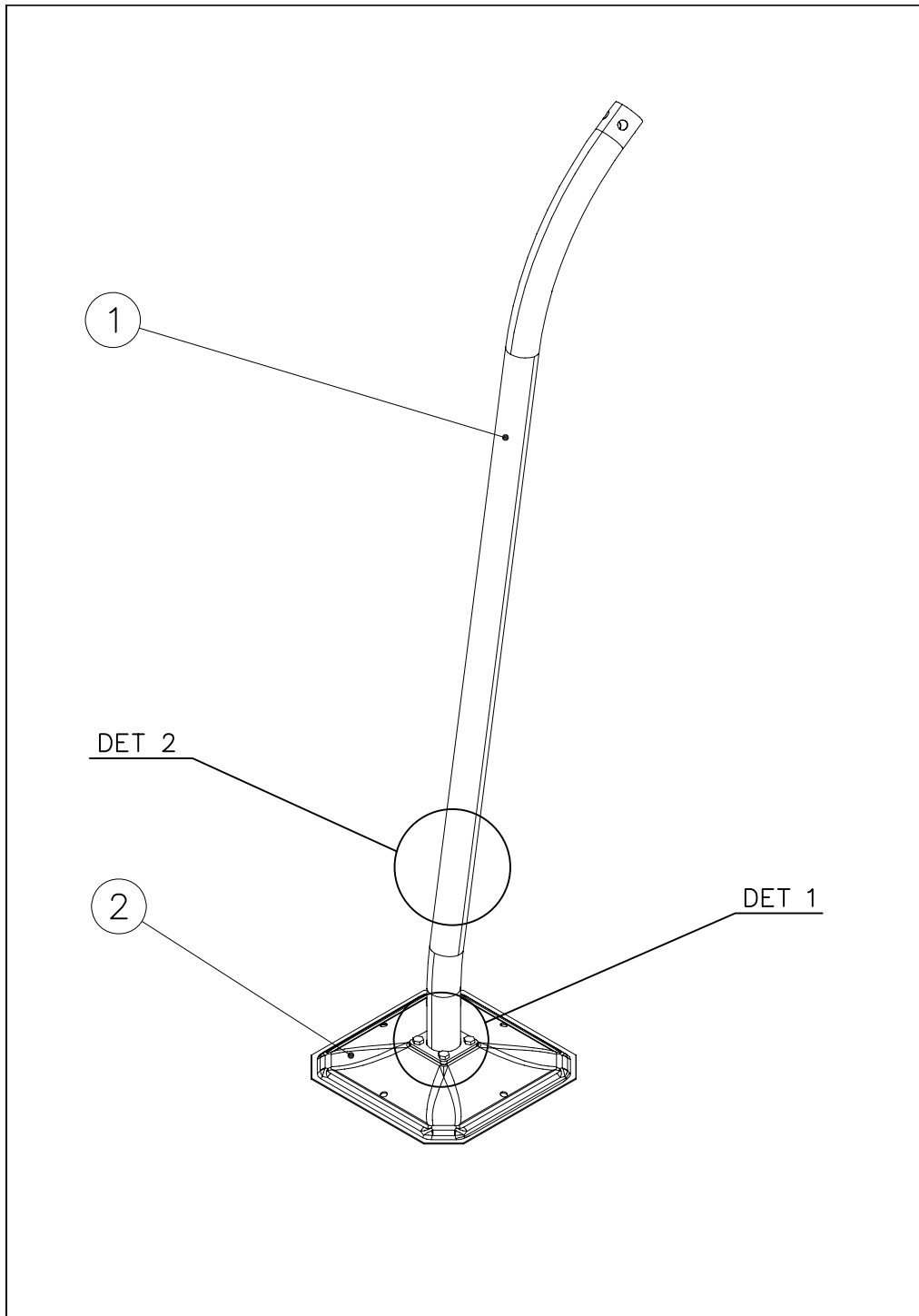



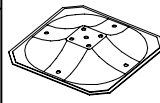
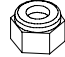

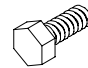
① 904146	PCS	② 909519	PCS
	1		1
③ 909637	PCS	④ 909638	PCS
	4		4
M10		Ø20/10.5	
⑤ 909639	PCS		PCS
	4		
M10x25			
	PCS		PCS
	PCS		PCS
	PCS		PCS

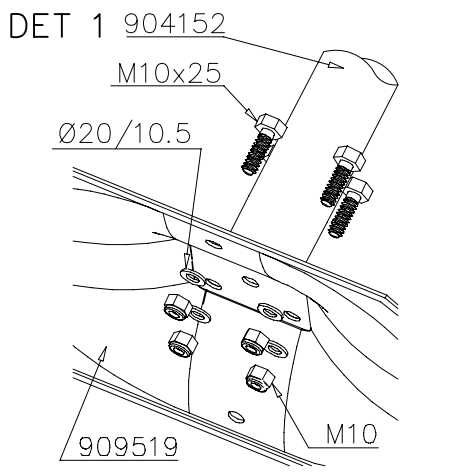


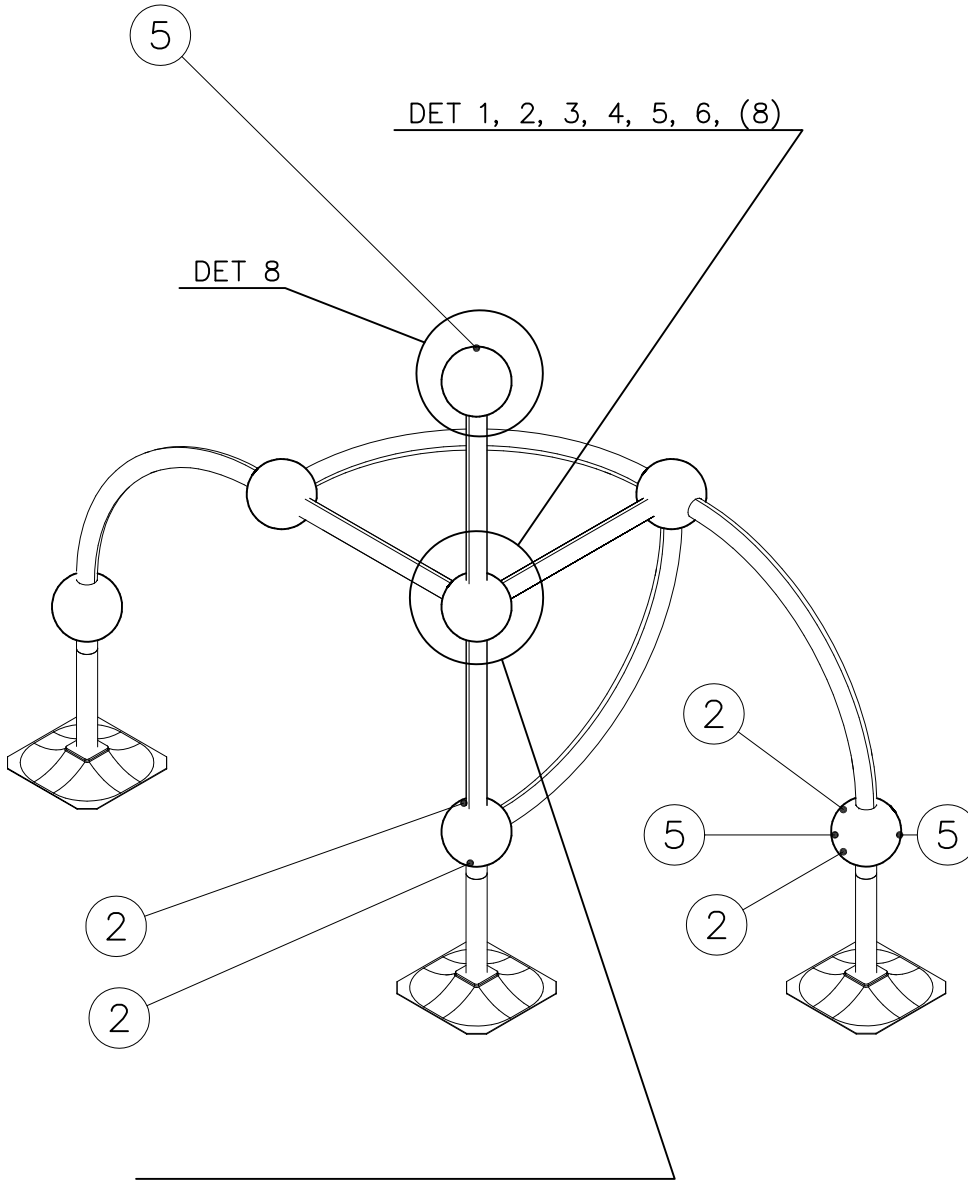
DET 2

DET 3

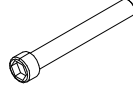

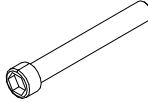



① 904152	PCS	② 909519	PCS
	1		1
③ 909637	PCS	④ 909638	PCS
	4		4
M10		Ø20/10.5	
⑤ 909639	PCS		PCS
	4		
M10x25			
	PCS		PCS
	PCS		PCS
	PCS		PCS

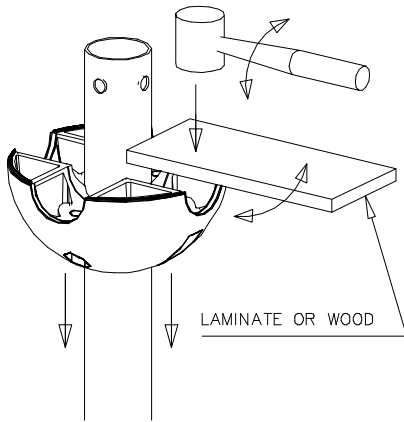




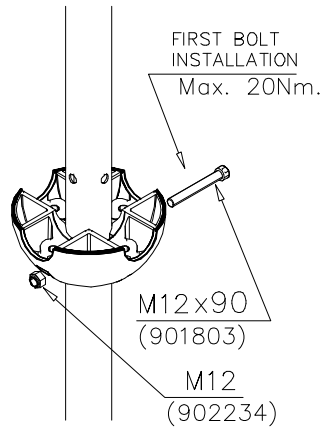
DO NOT TIGHTEN THE JOINTS UNTIL THE STRUCTURE IS COMPLETE.

① 901803	PCS	② 901994	PCS
	2		2
M12x90		Ø190	
③ 902096	PCS	④ 902234	PCS
	4		6
M12x120		M12	
	PCS		PCS
	PCS		PCS
	PCS		PCS
	PCS		PCS
	PCS		PCS
	PCS		PCS

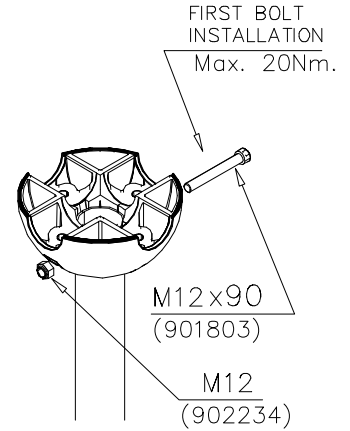
DET 1



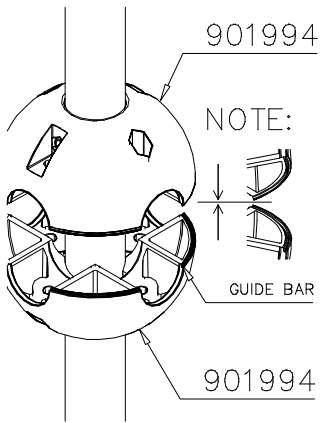
DET 2



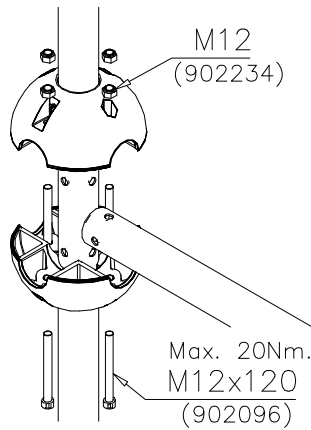
DET 3



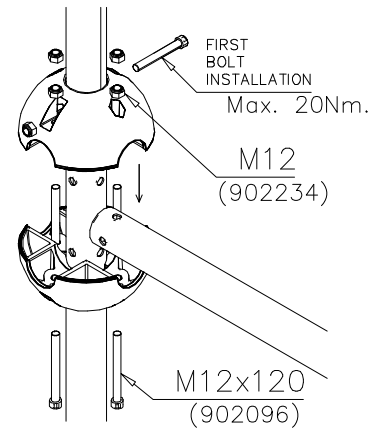
DET 4



DET 5

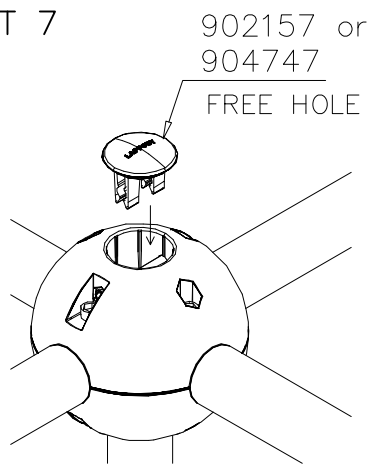


DET 6



REMEMBER  
FINAL  
TIGHTENING

DET 7



DET 8

