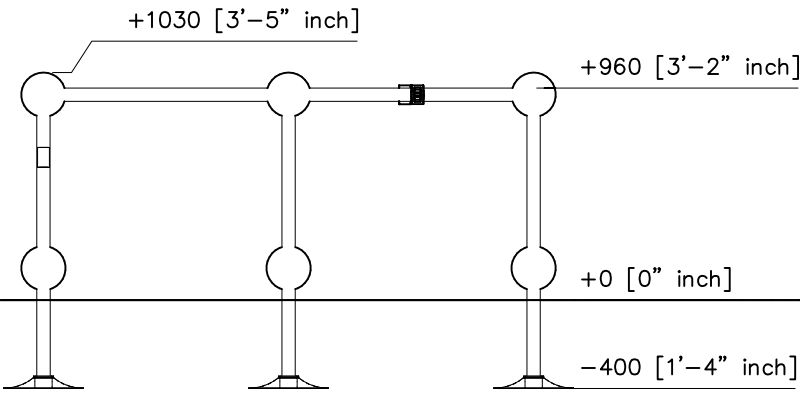
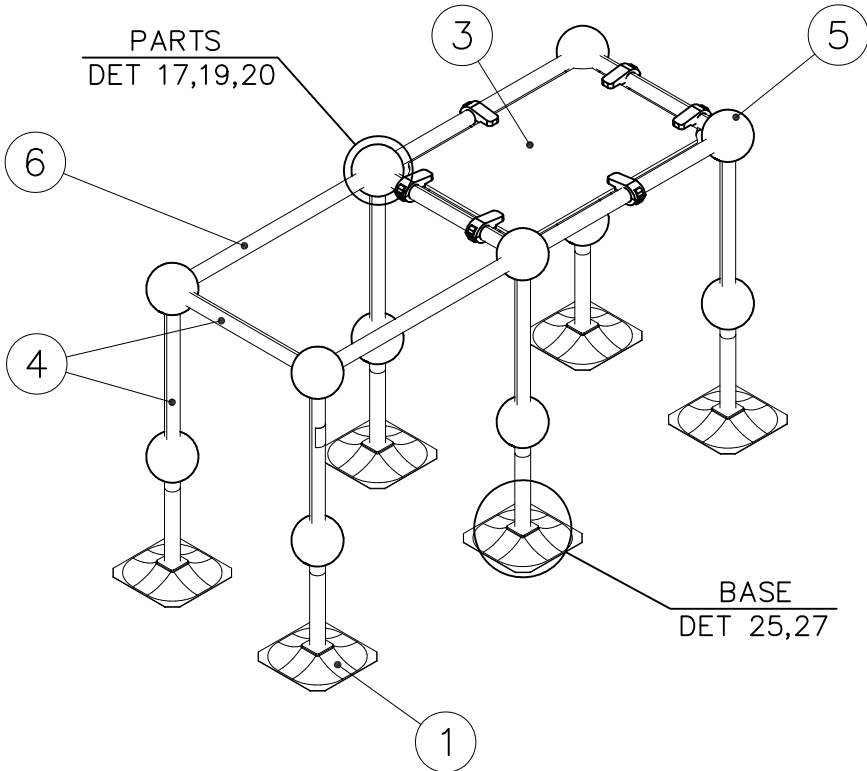


LAPPSET® PARKOUR

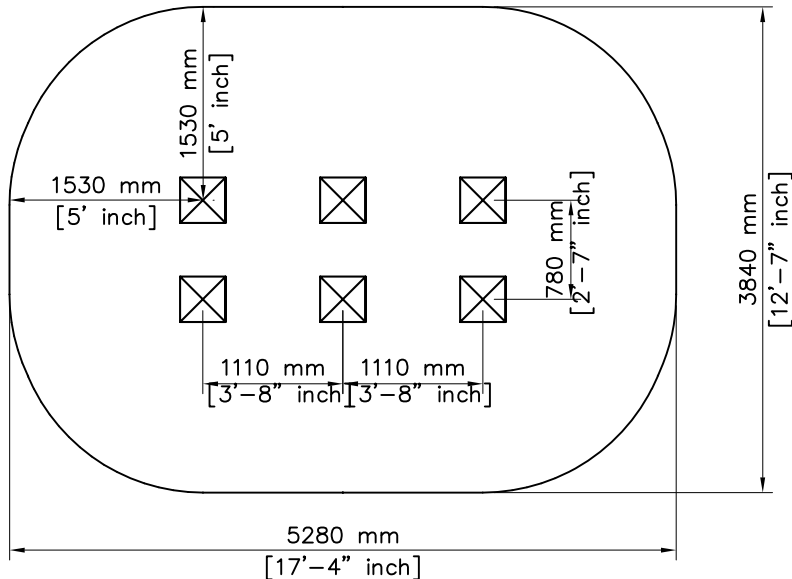
220546

DATE: 24.2.2015

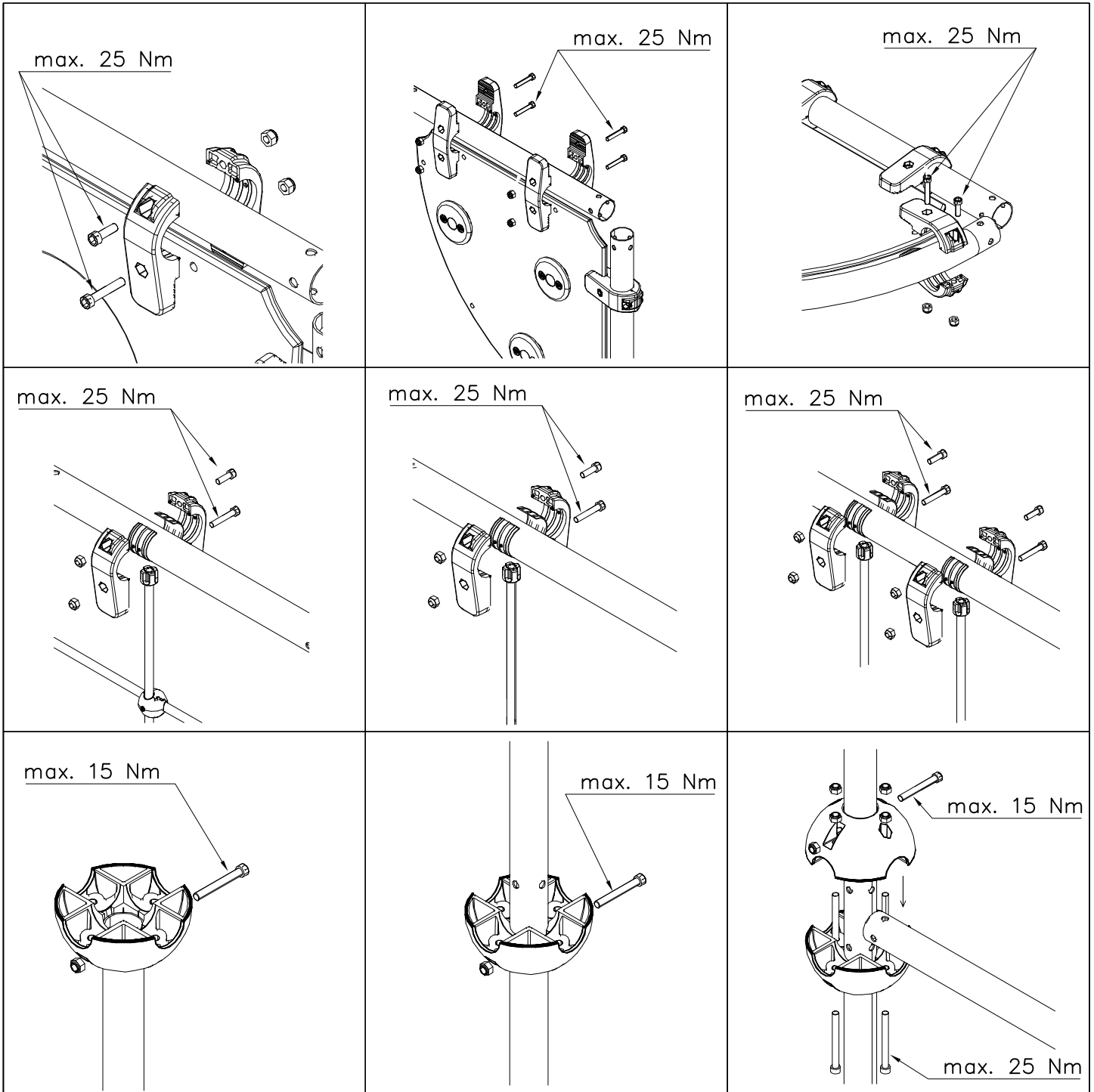
1(1)



EN/AS Impact Area 18.2 m² (196 sq ft)
 Falling Space Area 18.2 m² (196 sq ft)
 Max Falling Height 960 mm (3'-2" in)



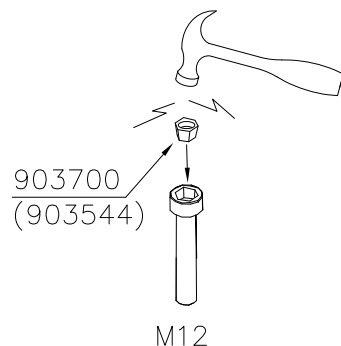
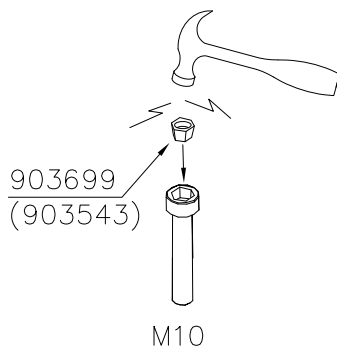
| | | | |
|----------|-----------|----------|----------|
| ① 701985 | PCS 6 | ② 702341 | PCS 1 |
| | | | |
| | | 90x50 | |
| ③ 703487 | PCS 1 | ④ 902022 | PCS 9 |
| | | | |
| | | L 710 | |
| ⑤ 902134 | PCS 12 | ⑥ 902424 | PCS 4 |
| | | | |
| | | L 1034 | |
| ⑦ 904747 | PCS 40 | | PCS |
| | | | |
| 60x60x2 | | | |
| | PCS | | PCS |
| | | | |
| | PCS | | PCS |
| | | | |
| | PCS | | PCS |
| | | | |

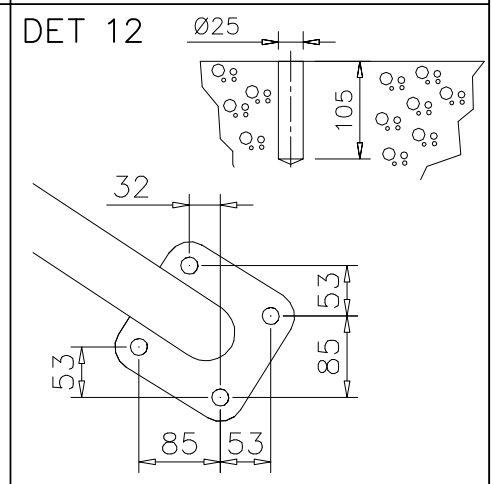
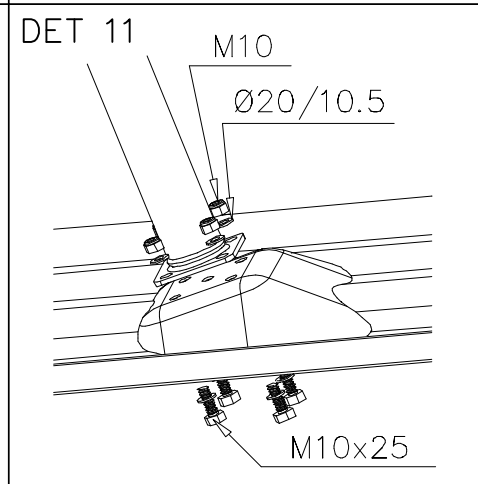
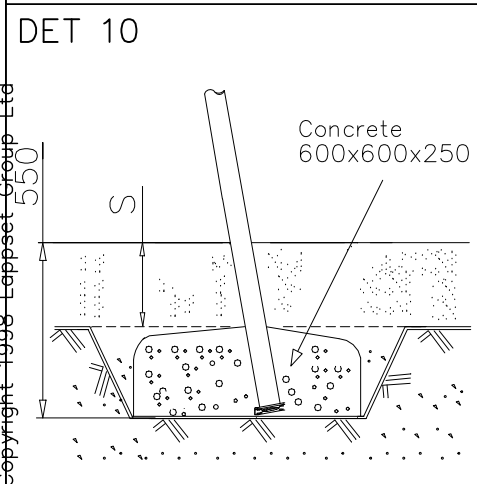
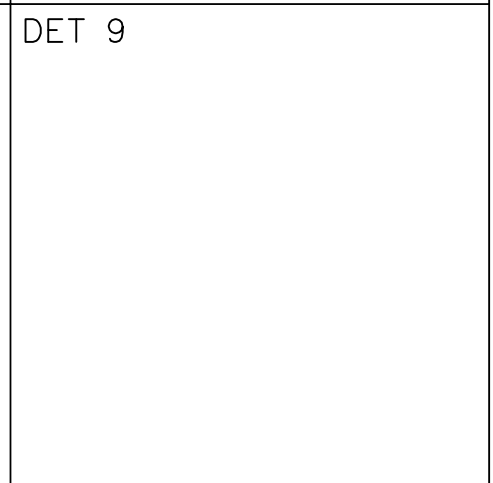
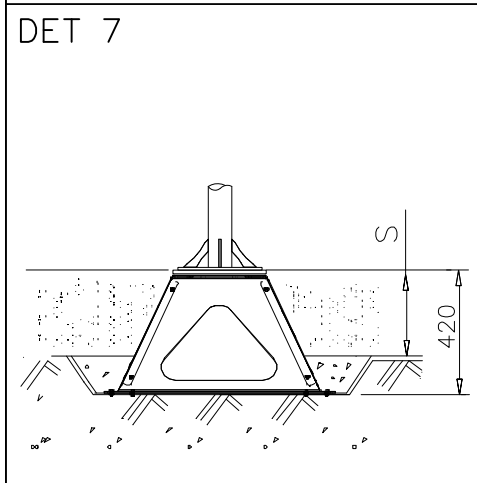
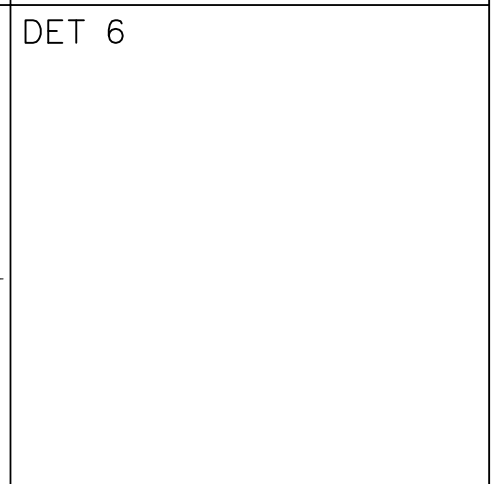
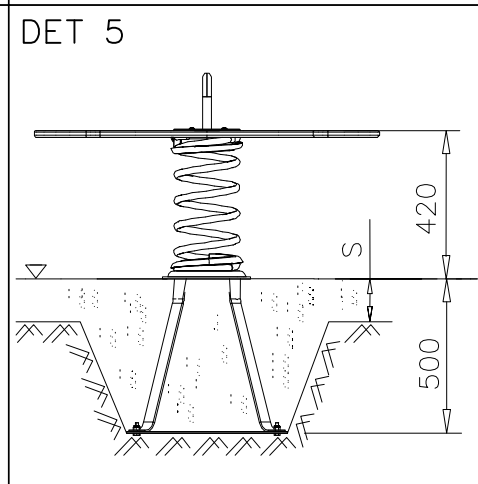
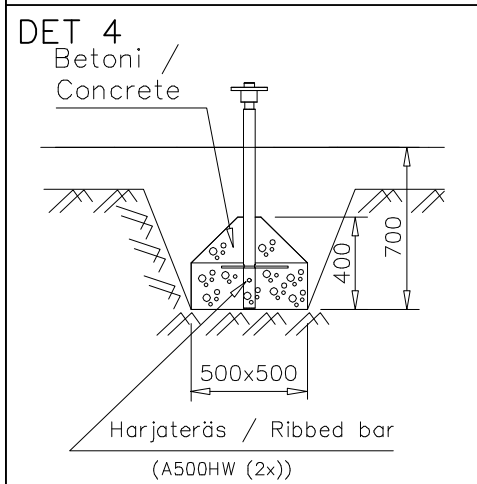
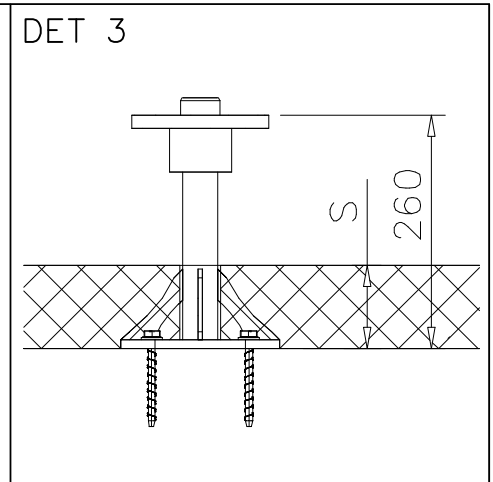
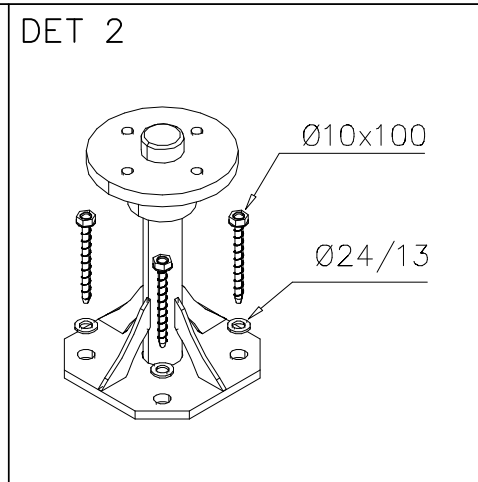
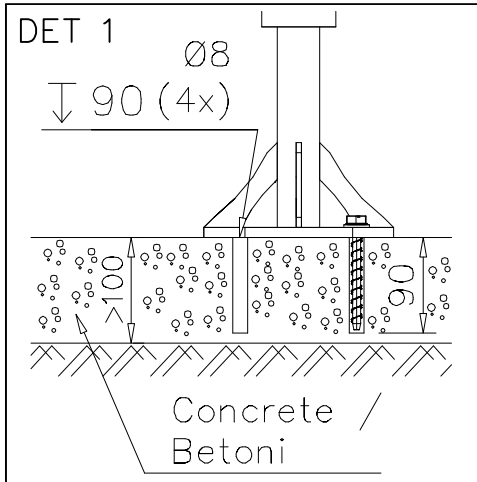


Security plugs are included only for selected products.

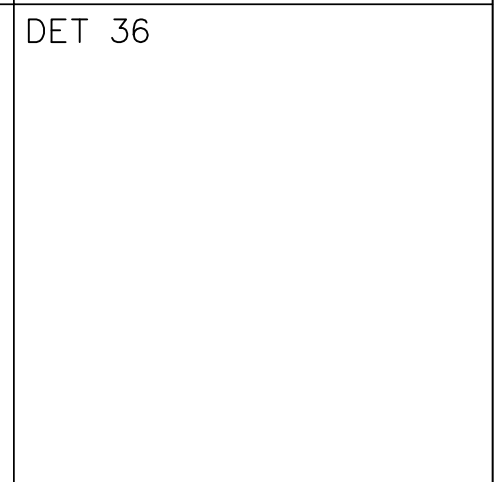
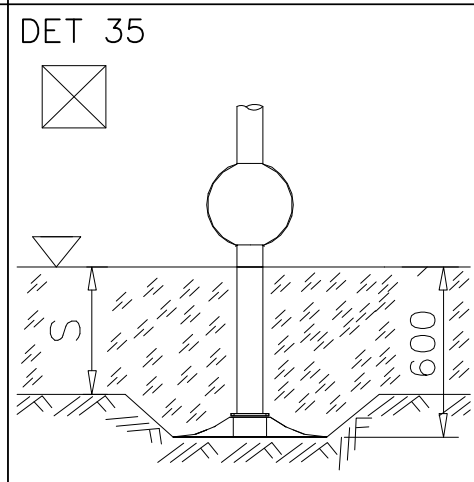
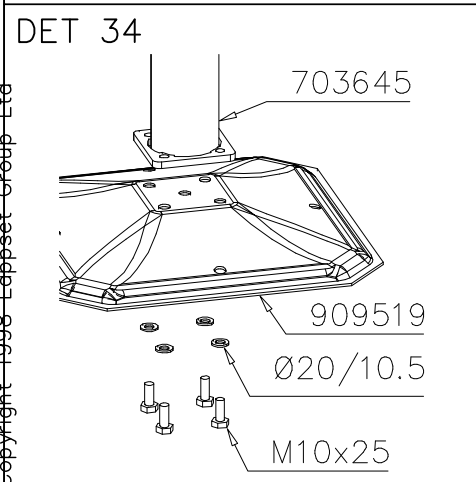
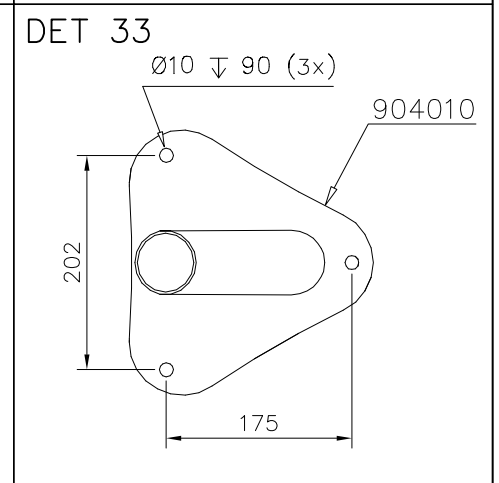
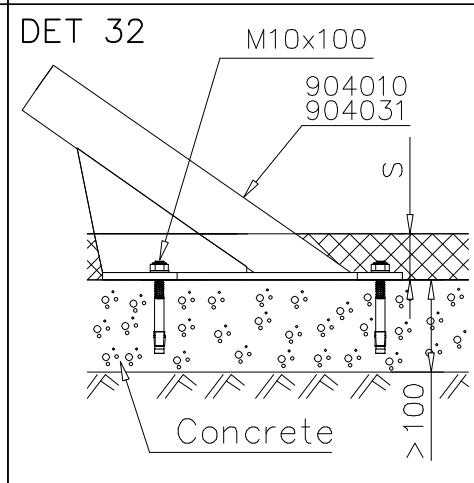
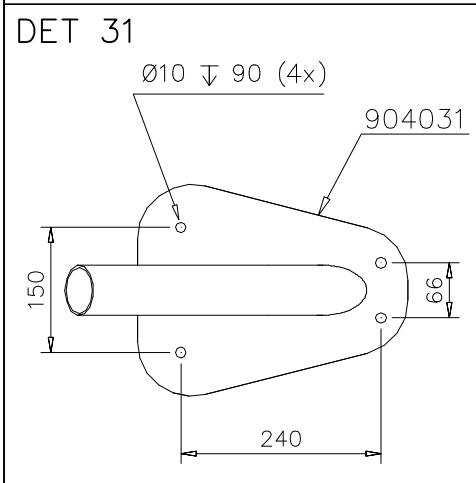
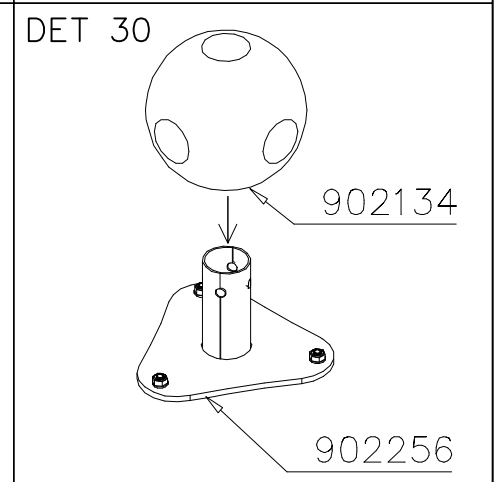
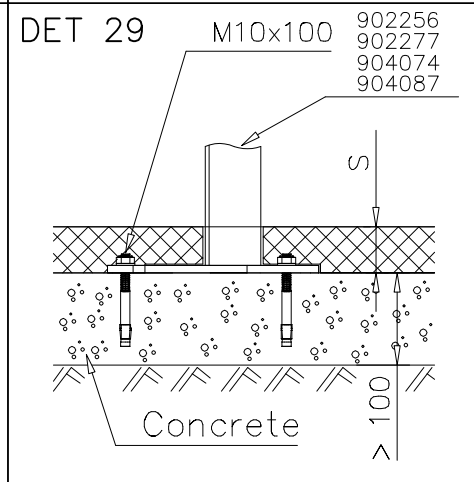
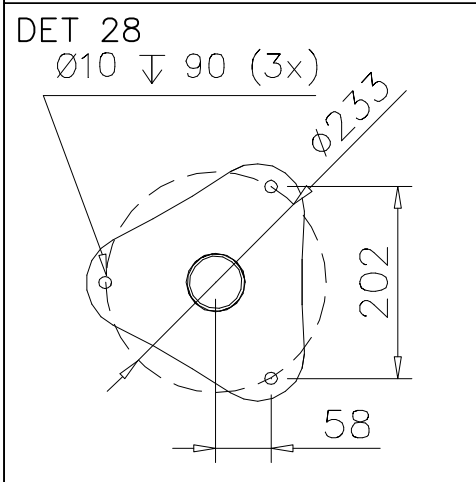
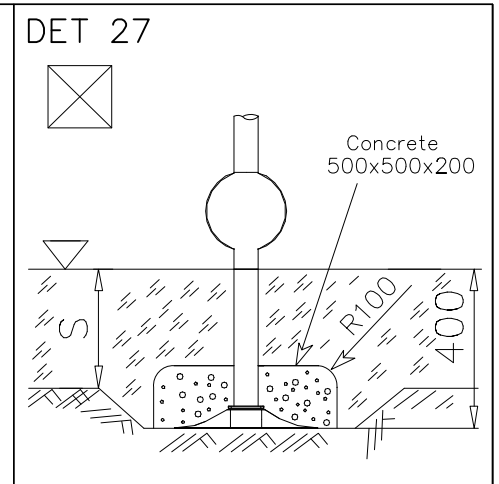
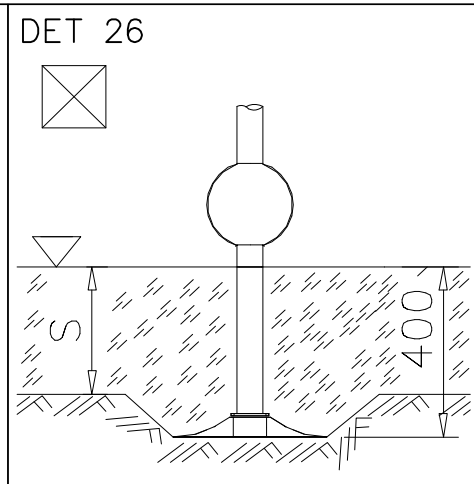
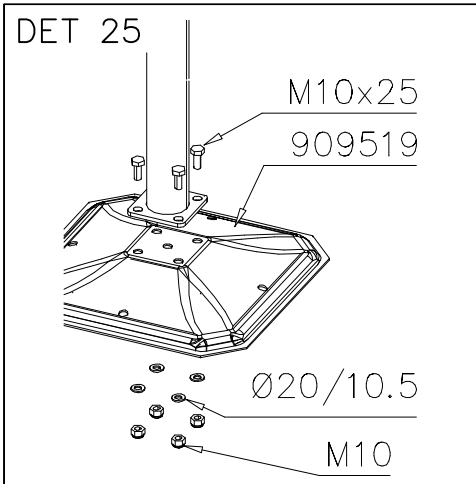
Hox!
Pultit on kiristettävä lopulliseen kireyteen, ennen turvapinnien asennusta.

Note!
Tighten bolts properly, before installing security plugs.



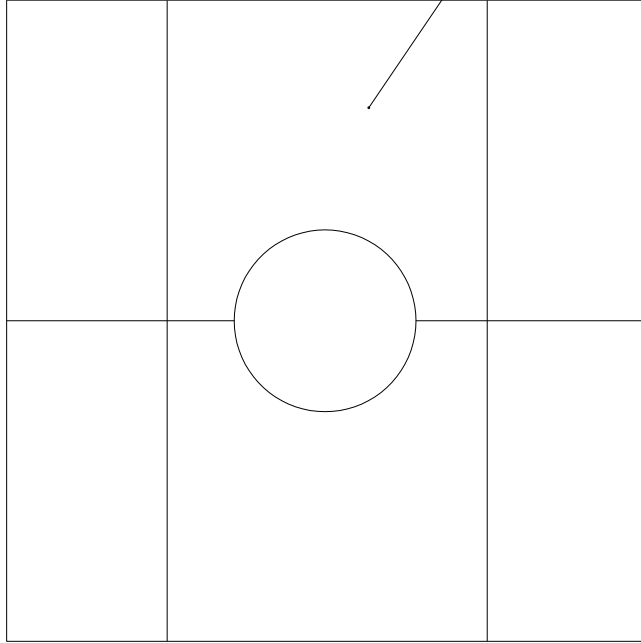


| | | |
|---|---|---|
| <p>DET 13</p> <p>140 Nm</p> <p>M16x110 Ø30/17x3</p> | <p>DET 14</p> | <p>DET 15</p> |
| <p>DET 16</p> <p>M12x60 Ø24/13 M12</p> | <p>DET 17</p> <p>M12x35 Ø24/13 M12</p> | <p>DET 18</p> <p>Concrete 500x500x200</p> <p>Harjateräs / Ribbed bar (A500HW (2x))</p> <p>S 600</p> |
| <p>DET 19</p> <p>ATT! Drilling can be done via hole in rotating flange.</p> <p>Ø8 ↓ 80 (4x)</p> <p>Concrete / Betoni</p> <p>>100</p> | <p>DET 20</p> <p>Ø10x100 Ø24/13</p> | <p>DET 21</p> <p>110</p> <p>S</p> |
| <p>DET 22</p> <p>M8 Ø16/8.4 M8x40</p> | <p>DET 23</p> <p>Ø10 ↓ 90 (4x)</p> <p>>100 S</p> <p>Betoni / Concrete Safety surface</p> | <p>DET 24</p> <p>M10 M10x100</p> |



| | | | | | | | | | | | | |
|---|--|---|-----------------|-----------------|----------------|---------|----------------|---------|----------------|-------|----------------|---|
|  | | | | | | | | | | | | |
| <p>$h < 600$</p> <p>Without movement and therefore without Impact Area</p> | <p>Totally hard surfaces.</p> <p>Note. Lappset does <u>not recommend</u> totally hard surfaces at all.</p> | <p>E.g. concrete or asphalt</p>  | | | | | | | | | | |
| <p>$h < 600$</p> <p>With movement e.g. rocking</p> | <p>Materials with very limited impact attenuating properties.</p> | <p>E.g. wood</p>  | | | | | | | | | | |
| <p>$h < 1000$</p> | <p>Materials with significant impact attenuating properties.</p> | <p>fine gravel 0–8 mm</p>  <p>grass</p>  <p>unsorted sand</p>  | | | | | | | | | | |
| <p>$h < 3000$</p> | <p>Loose fill material</p> <p>E.g. sand/gravel 0,25...8 mm D60/D10<3,0 Woodchips 5...30 mm bark 20...80 mm</p> |  <table data-bbox="1021 1691 1332 1792"> <tr> <td>\underline{S}</td> <td>\underline{h}</td> </tr> <tr> <td>30 cm</td> <td>< 2,0 m</td> </tr> <tr> <td>40 cm</td> <td>< 3,0 m</td> </tr> </table> | \underline{S} | \underline{h} | 30 cm | < 2,0 m | 40 cm | < 3,0 m | | | | |
| \underline{S} | \underline{h} | | | | | | | | | | | |
| 30 cm | < 2,0 m | | | | | | | | | | | |
| 40 cm | < 3,0 m | | | | | | | | | | | |
| | <p>Syntethic granulates</p> <table data-bbox="406 1892 758 2060"> <tr> <td>\underline{S}</td> <td>\underline{h}</td> </tr> <tr> <td>40 mm</td> <td>~> 1,2...1,3 m</td> </tr> <tr> <td>50 mm</td> <td>~> 1,5...1,7 m</td> </tr> <tr> <td>60 mm</td> <td>~> 1,8...2,0 m</td> </tr> <tr> <td>70 mm</td> <td>~> 2,1...2,5 m</td> </tr> </table> <p>Note. For accurate values, see manufacturer's instructions.</p> | \underline{S} | \underline{h} | 40 mm | ~> 1,2...1,3 m | 50 mm | ~> 1,5...1,7 m | 60 mm | ~> 1,8...2,0 m | 70 mm | ~> 2,1...2,5 m |  |
| \underline{S} | \underline{h} | | | | | | | | | | | |
| 40 mm | ~> 1,2...1,3 m | | | | | | | | | | | |
| 50 mm | ~> 1,5...1,7 m | | | | | | | | | | | |
| 60 mm | ~> 1,8...2,0 m | | | | | | | | | | | |
| 70 mm | ~> 2,1...2,5 m | | | | | | | | | | | |

REMOVE SAFETY SURFACE/SAND/GRAVEL
TO CHECK FOUNDATION



REMOVE SAFETY SURFACE/SAND/GRAVEL
TO CHECK FOUNDATION



| | | |
|--|--|--|
| <p>DET 1</p> <p>M8x50</p> <p>702845</p> <p>M8</p> | <p>DET 2</p> <p>M8x60</p> <p>902625</p> <p>702845</p> <p>M8</p> | <p>DET 3</p> |
| <p>DET 4</p> <p>CUT EXTRA CHAIN</p> | <p>DET 5</p> <p>90Nm</p> <p>M12x110</p> <p>Ø24/13</p> <p>901958</p> <p>M8x35</p> <p>Ø24/13</p> <p>M12 NYLOC</p> <p>M8</p> <p>CUT EXTRA CHAIN</p> | <p>DET 6</p> <p>M12x120</p> <p>Ø24/12</p> <p>904801</p> <p>907621</p> <p>901958</p> <p>M8x35</p> <p>Ø24/13</p> <p>M12 NYLOC</p> <p>M8</p> <p>CUT EXTRA CHAIN</p> |
| <p>DET 7</p> <p>M12x40</p> <p>M12</p> <p>902012</p> | <p>DET 8</p> <p>NOTE: Aluminum thread fasten carefully.</p> <p>903388</p> <p>M8x30</p> | <p>DET 9</p> <p>NOTE: Aluminum thread fasten carefully.</p> <p>702850</p> <p>M8x30</p> <p>903388</p> |
| <p>DET 10</p> <p>902623</p> <p>M8</p> <p>Ø16/8.4</p> <p>Ø16/8.4</p> <p>M8x30</p> | <p>DET 11</p> <p>M8x30</p> <p>Ø16/8.4</p> <p>M8</p> | <p>DET 12</p> <p>902624</p> |

| | | |
|--|--|---|
| <p>DET 13</p> <p>M10x50</p> <p>Ø20/10.5</p> <p>M10</p> | <p>DET 14</p> <p>M10x40</p> <p>Ø20/10.5</p> <p>M10</p> | <p>DET 15</p> <p>M10x40 (901487)</p> <p>Ø20/10.5x2 (901302)</p> <p>M10 (909637)</p> |
| <p>DET 16</p> <p>903572</p> <p>903567</p> <p>M8x60</p> <p>GLUE</p> | <p>DET 17</p> <p>M12x90 901994</p> <p>M12</p> | <p>DET 18</p> <p>M12x120</p> <p>903574</p> <p>M12</p> |
| <p>DET 19</p> <p>M12x90</p> <p>M12</p> <p>902157</p> | <p>DET 20</p> <p>M12</p> <p>901994</p> <p>M12x120</p> | <p>DET 21</p> <p>M8x60</p> <p>M8</p> <p>905067</p> |
| <p>DET 22</p> <p>703062</p> <p>M8x60</p> <p>GLUE</p> | <p>DET 23</p> <p>M8x60</p> <p>703062</p> <p>GLUE</p> | <p>DET 24</p> <p>901958</p> <p>903577</p> |

DET 25-26

M12x120

904100

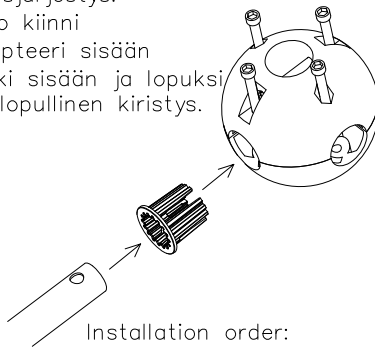
904015

904102

Kun putken pää osuu adapterin kynsiin, adapteri tiukentuu paikoilleen.

Asennusjärjestys:

- 1) Pallo kiinni
- 2) Adapteri sisään
- 3) putki sisään ja lopuksi pallon lopullinen kiristys.



Installation order:

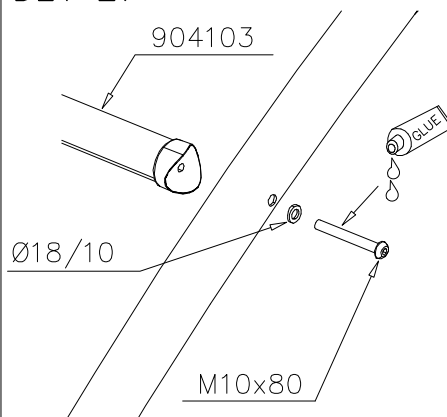
- 1) Close the ball
- 2) Insert adapter
- 3) Insert tube and tighten screws.

DET 27

904103

Ø18/10

M10x80



DET 28

906621

M12x35
(909347)

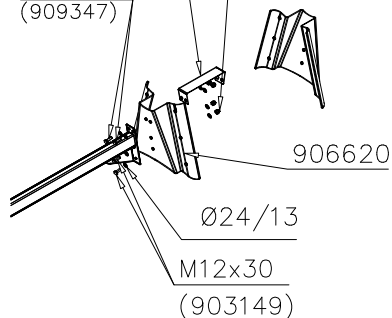
M12

906620

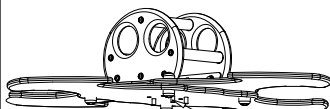
Ø24/13

M12x30
(903149)

M12 → 60 Nm



DET 29



M10x50 (905140)

Ø20/10.5x2 (901302)

M10 (909637)

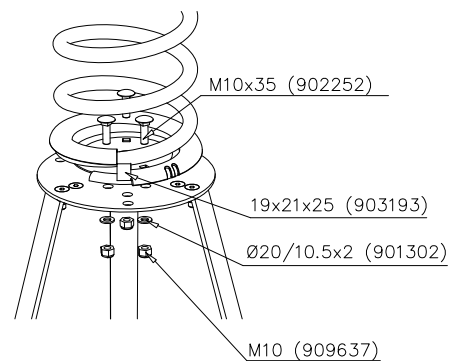
DET 30

M10x35 (902252)

19x21x25 (903193)

Ø20/10.5x2 (901302)

M10 (909637)



DET 31

M12 → 60 Nm

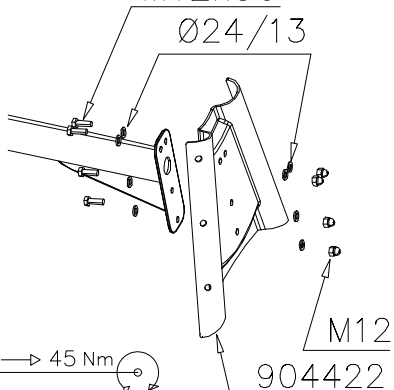
M12x30

Ø24/13

M10 → 45 Nm

M12

904422



DET 32

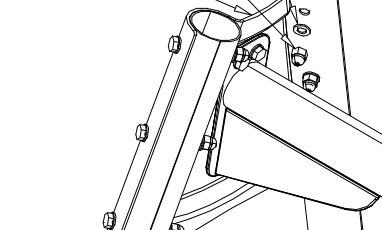
M12 → 60 Nm

M12x100

Ø24/13

M12

904422



DET 33

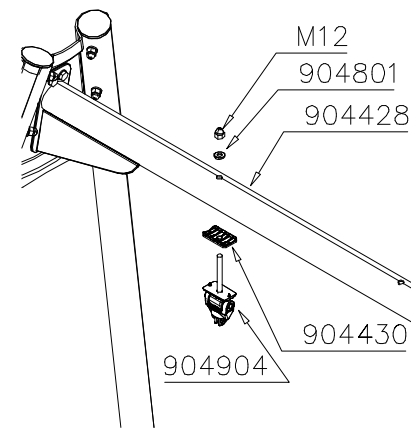
M12

904801

904428

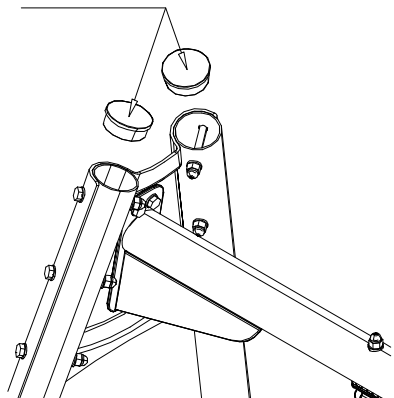
904430

904904

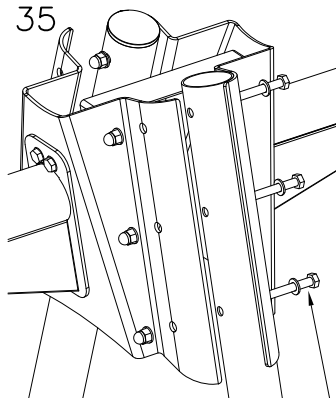


DET 34

904800

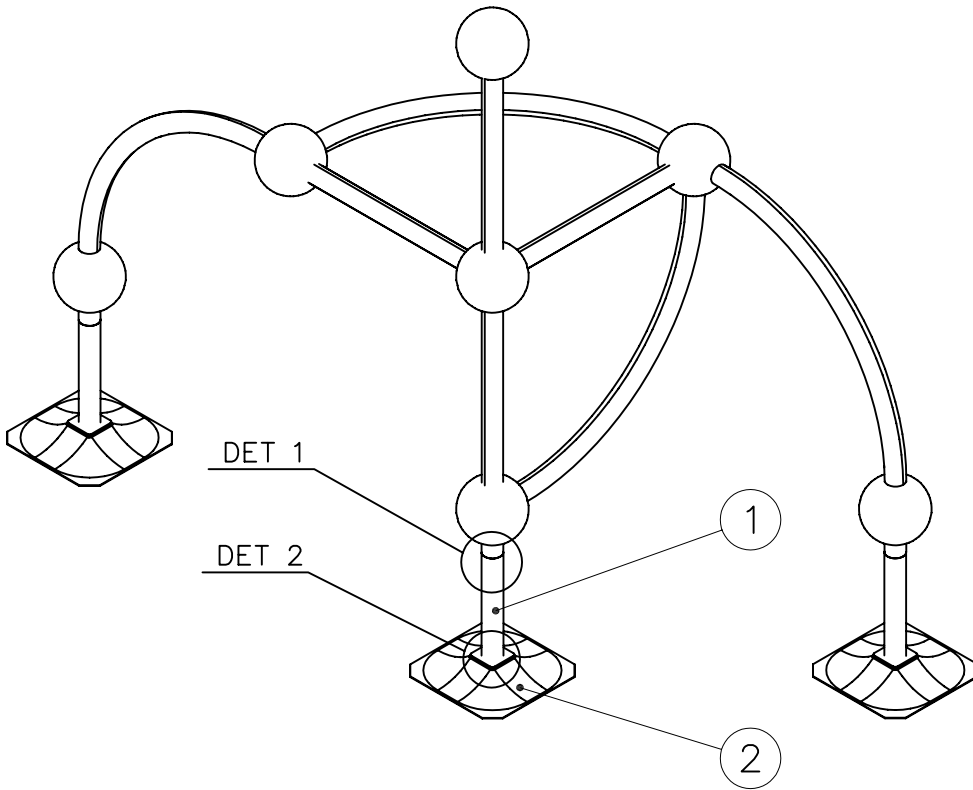



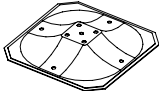


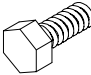
DET 35



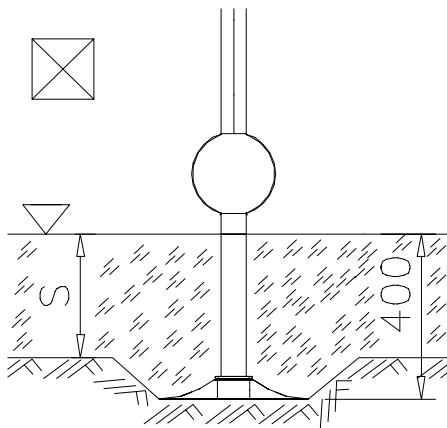
M12x110

DET 36

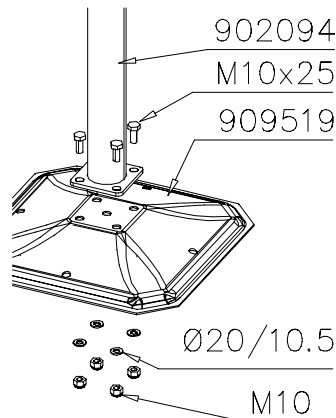


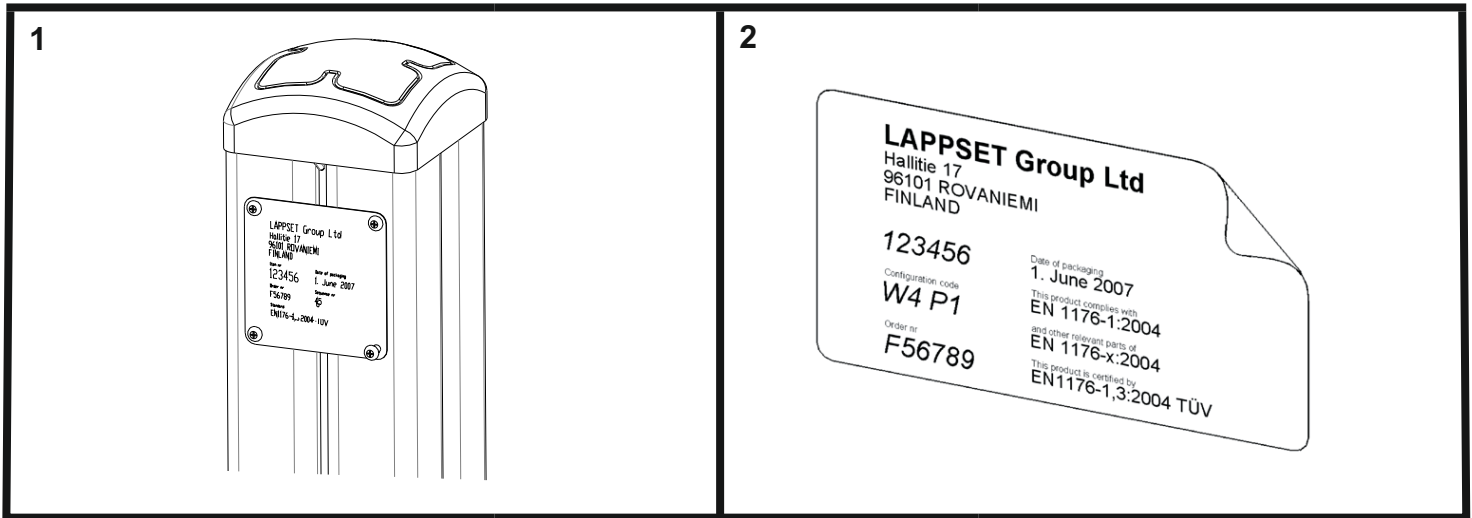
| | | | |
|---|-----|---|-----|
| ① 902094 | PCS | ② 909519 | PCS |
|  | 1 |  | 1 |
| Ø60x450 | | 50x380x380 | |
| ③ 909637 | PCS | ④ 909638 | PCS |
|  | 4 |  | 4 |
| M10 | | Ø20/10,5 | |
| ⑤ 909639 | PCS | | PCS |
|  | 4 | | |
| M10x25 | | | |
| | PCS | | PCS |
| | | | |
| | PCS | | PCS |
| | | | |
| | PCS | | PCS |
| | | | |

DET 1



DET 2





Tuotekyltti tulee tuotteen mukana yhdellä seuraavista tavoista:

1) Metallinen tuotekyltti ja kiinnitysruuvit

- Kiinnitä tuotekyltti ruuveilla tolppaan noin 2 metrin korkeuteen kuvan 2 mukaisesti.

2) Tuotekyltitarra

- Puhdista maalattu metalli- tai vaneripinta pölystä ja kosteudesta. Liimaa tarra kuvan 3 mukaisesti.
- Huom. Älä kiinnitä tarraa karheapintaiseen laminaattiin tai maalattuun puuhun.

Vår produktmärkning levereras på ett av följande sätt:

1) Produktskylt i metall

- Fäst skylten med de medföljande skruvarna

2) Självhäftande produktetikett

- Rengördenpulverlackerademetallytanellerlaminatytansåattdenblirfrifrånsmutsochfukt.Fästetikettenenligtfig.3.
- Obs! Fäst ej etiketten på detaljer med skrovlig yta eller på målat trä.

Product label is delivered by one of following ways:

1) Metal product label and screws

- Fasten the label with screws.

2) Label sticker

- Cleanthepaintedmetalorplywoodsurfacefromdirtandmoisture.Fastenthestickerasshowninthefigure3.
- Note. Do not attach the sticker to rough surfaced laminate or painted wood.

La plaque d'informations produit est livrée sous l'une de ces 3 formes :

1) Plaque métallique et vis

- Fixez la plaque à l'aide des vis.

2) Etiquette autocollante

- Avant de coller l'étiquette, nettoyez le composant métallique peint ou la plaque de contreplaqué, de toute saleté. La surface doit être sèche (voir image 3).
- Attention, ne pas coller l'étiquette sur une surface lamellé-collée irrégulière ou sur du bois peint.

Die Auslieferung des Produktaufklebers erfolgt auf eine dieser Arten:

1) Produkt-Schild aus Metall incl. Schrauben

- Die Befestigung des Schildes erfolgt mittels der Schrauben.

2) Aufkleber

- EntfernenSiezunächstSchmutzundFeuchtigkeitvomlackiertenMetallbzw.vonderHolzoberflächeundbringenSiedenAufkleber wie im Bild oben rechts beschrieben auf den gesäuberten Untergrund auf.
- Beachten Sie: Bringen Sie den Aufkleber nicht auf raues laminiertes oder lackiertes Holz an.

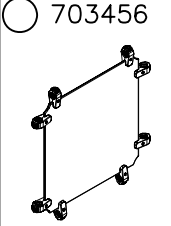
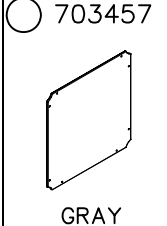
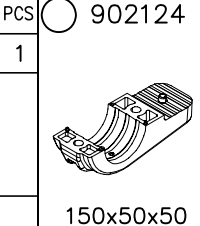
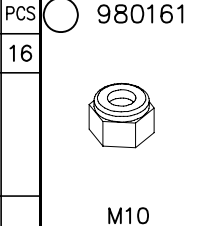
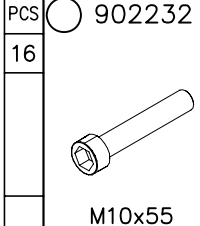
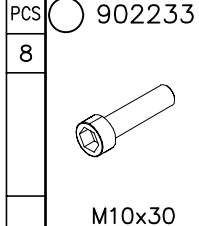
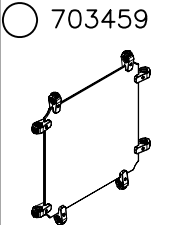
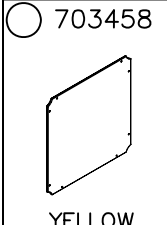
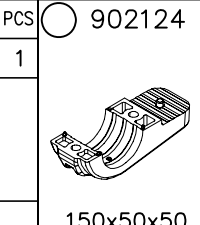
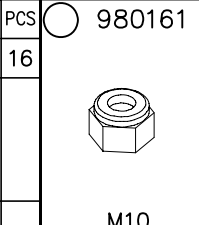
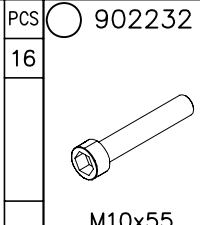
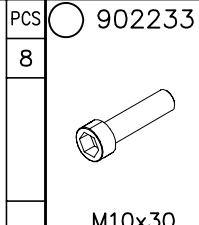
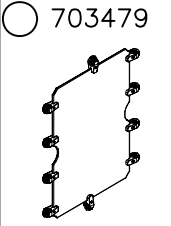
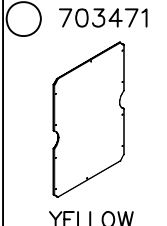
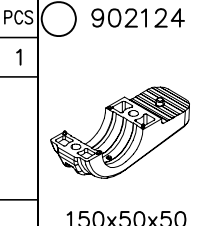
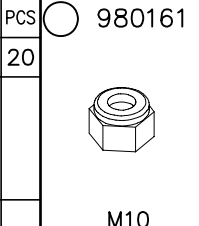
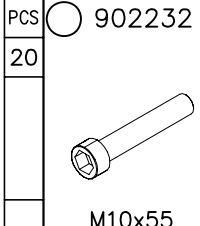
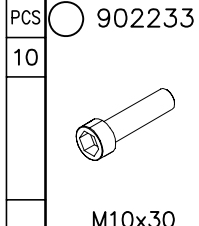
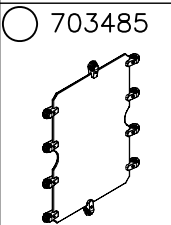
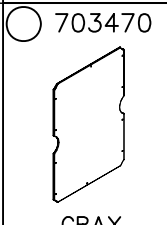
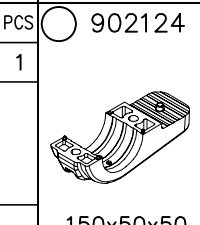
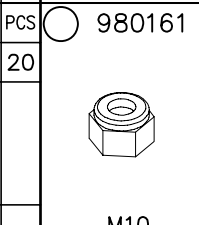
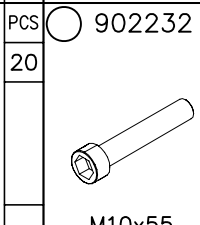
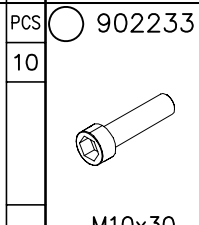
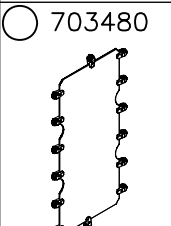
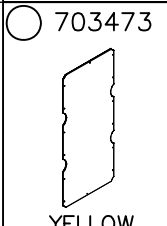
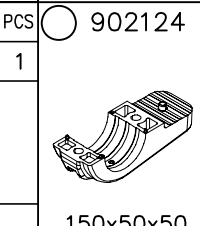
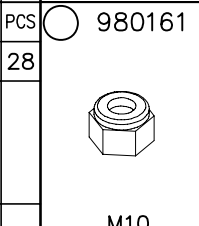
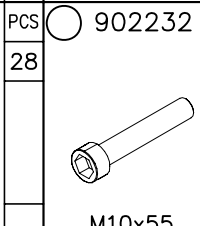
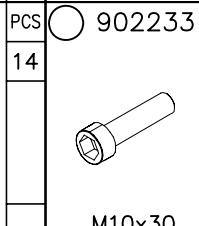
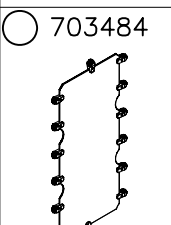
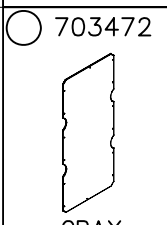
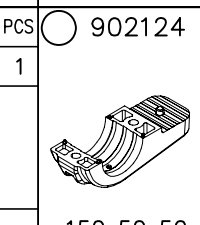
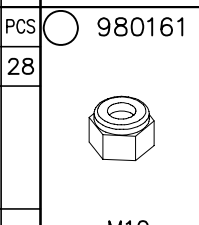
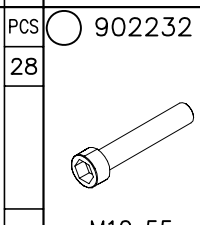
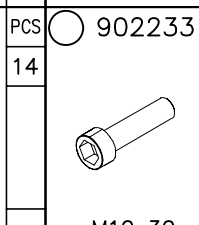
LAPPSET®

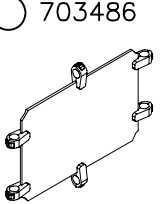
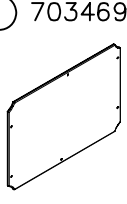
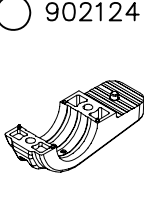
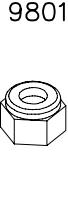
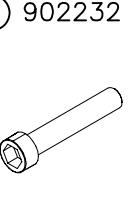
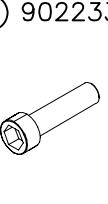
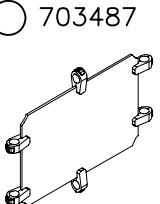
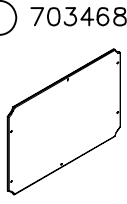
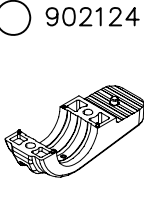
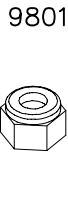
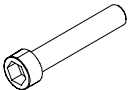
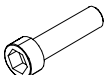
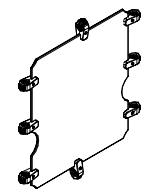
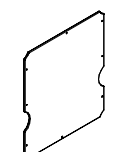
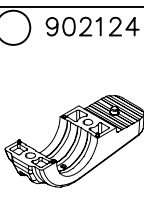
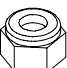
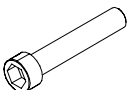
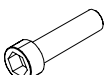
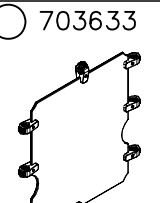
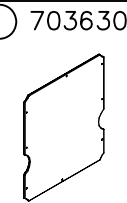
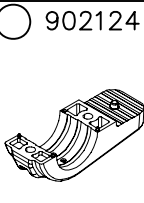
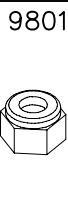
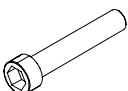
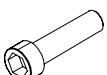
WALL

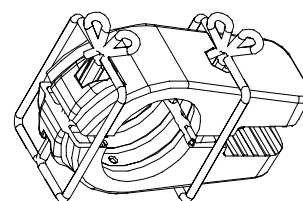
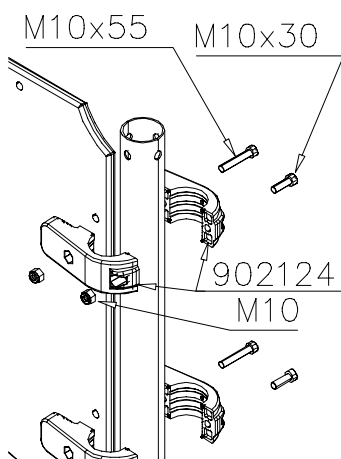
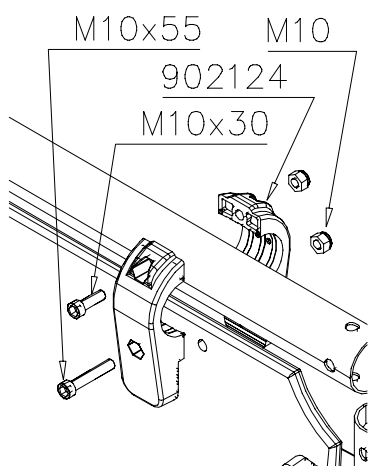
PARKOUR

DATE: 17.11.2010

1(2)

| | | | | | | | | | | | | |
|--|---|----------|--|-----------|--|-----------|--|-----------|---|-----------|--|-----|
|  |  GRAY | PCS 1 |  150x50x50 | PCS 16 |  M10 | PCS 16 |  M10x55 | PCS 8 |  M10x30 | PCS 8 | | PCS |
|  |  YELLOW | PCS 1 |  150x50x50 | PCS 16 |  M10 | PCS 16 |  M10x55 | PCS 8 |  M10x30 | PCS 8 | | PCS |
| | | PCS | | PCS | | PCS | | PCS | | PCS | | PCS |
|  |  YELLOW | PCS 1 |  150x50x50 | PCS 20 |  M10 | PCS 20 |  M10x55 | PCS 10 |  M10x30 | PCS 10 | | PCS |
|  |  GRAY | PCS 1 |  150x50x50 | PCS 20 |  M10 | PCS 20 |  M10x55 | PCS 10 |  M10x30 | PCS 10 | | PCS |
| | | PCS | | PCS | | PCS | | PCS | | PCS | | PCS |
|  |  YELLOW | PCS 1 |  150x50x50 | PCS 28 |  M10 | PCS 28 |  M10x55 | PCS 14 |  M10x30 | PCS 14 | | PCS |
|  |  GRAY | PCS 1 |  150x50x50 | PCS 28 |  M10 | PCS 28 |  M10x55 | PCS 14 |  M10x30 | PCS 14 | | PCS |

| | | | | | | | | | | | | |
|--|--|---------------------|--|----------------------|--|----------------------|--|---------------------|---|---------------------|--|------------|
|  <p>703486</p> |  <p>703469 YELLOW</p> | <p>PCS</p> <p>1</p> |  <p>902124</p> <p>150x50x50</p> | <p>PCS</p> <p>12</p> |  <p>980161</p> <p>M10</p> | <p>PCS</p> <p>12</p> |  <p>902232</p> <p>M10x55</p> | <p>PCS</p> <p>6</p> |  <p>902233</p> <p>M10x30</p> | <p>PCS</p> <p>6</p> | | <p>PCS</p> |
|  <p>703487</p> |  <p>703468 GRAY</p> | <p>PCS</p> <p>1</p> |  <p>902124</p> <p>150x50x50</p> | <p>PCS</p> <p>12</p> |  <p>980161</p> <p>M10</p> | <p>PCS</p> <p>12</p> |  <p>902232</p> <p>M10x55</p> | <p>PCS</p> <p>6</p> |  <p>902233</p> <p>M10x30</p> | <p>PCS</p> <p>6</p> | | <p>PCS</p> |
| | | <p>PCS</p> | | <p>PCS</p> | | <p>PCS</p> | | <p>PCS</p> | | <p>PCS</p> | | <p>PCS</p> |
|  <p>703632</p> |  <p>703631 YELLOW</p> | <p>PCS</p> <p>1</p> |  <p>902124</p> <p>150x50x50</p> | <p>PCS</p> <p>16</p> |  <p>980161</p> <p>M10</p> | <p>PCS</p> <p>16</p> |  <p>902232</p> <p>M10x55</p> | <p>PCS</p> <p>8</p> |  <p>902233</p> <p>M10x30</p> | <p>PCS</p> <p>8</p> | | <p>PCS</p> |
|  <p>703633</p> |  <p>703630 GRAY</p> | <p>PCS</p> <p>1</p> |  <p>902124</p> <p>150x50x50</p> | <p>PCS</p> <p>16</p> |  <p>980161</p> <p>M10</p> | <p>PCS</p> <p>16</p> |  <p>902232</p> <p>M10x55</p> | <p>PCS</p> <p>8</p> |  <p>902233</p> <p>M10x30</p> | <p>PCS</p> <p>8</p> | | <p>PCS</p> |
| | | <p>PCS</p> | | <p>PCS</p> | | <p>PCS</p> | | <p>PCS</p> | | <p>PCS</p> | | <p>PCS</p> |



NOTE:
Use a wire marked pairs
of the same junction.

Huom!
Käytä langalla merkittyä
paria samassa liitoksessa.



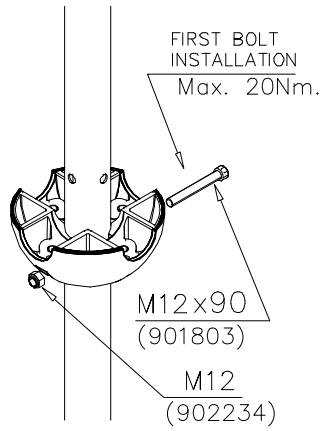
DO NOT TIGHTEN THE JOINTS UNTIL THE STRUCTURE IS COMPLETE.

| | | | |
|---|-----|---|-----|
| ① 901803 | PCS | ② 901994 | PCS |
|  | 2 |  | 2 |
| M12x90 | | Ø190 | |
| ③ 902096 | PCS | ④ 902234 | PCS |
|  | 4 |  | 6 |
| M12x120 | | M12 | |
| | PCS | | PCS |
| | | | |
| | PCS | | PCS |
| | | | |
| | PCS | | PCS |
| | | | |
| | PCS | | PCS |
| | | | |
| | PCS | | PCS |
| | | | |
| | PCS | | PCS |
| | | | |

DET 1



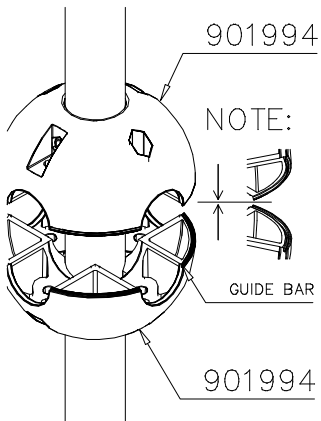
DET 2



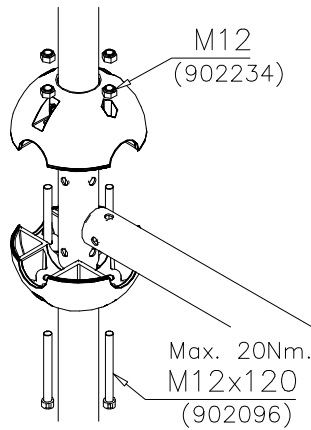
DET 3



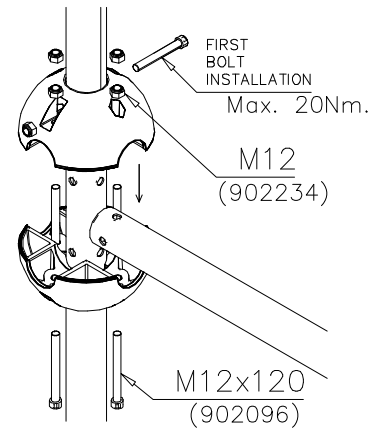
DET 4



DET 5

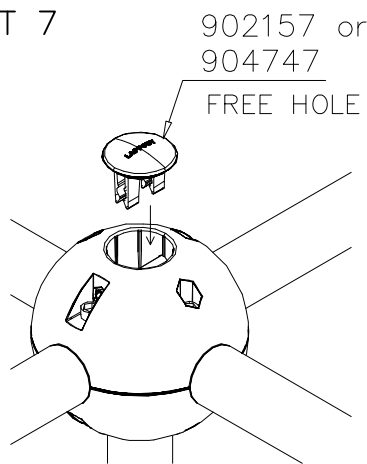


DET 6



REMEMBER
FINAL
TIGHTENING

DET 7



DET 8

