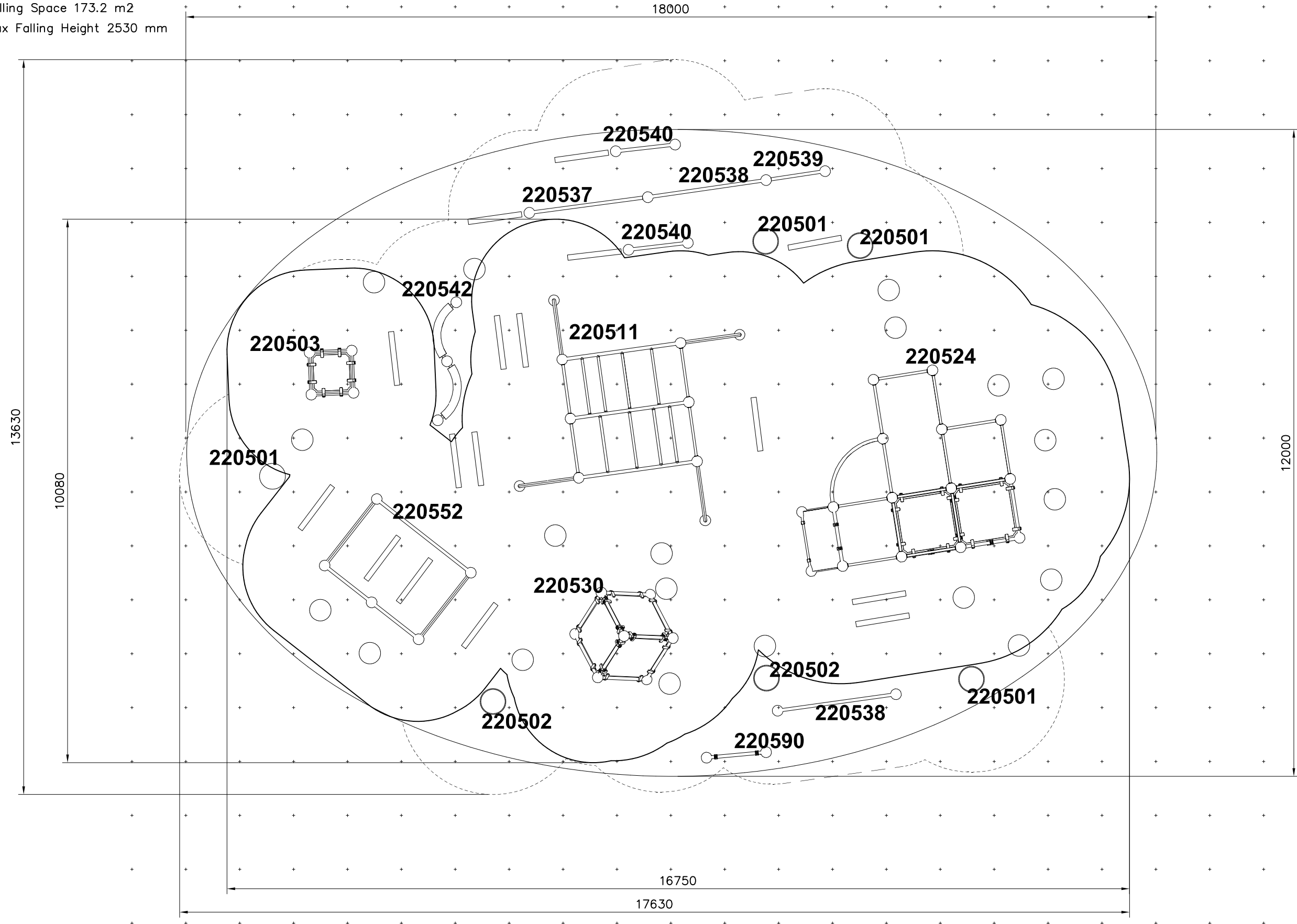
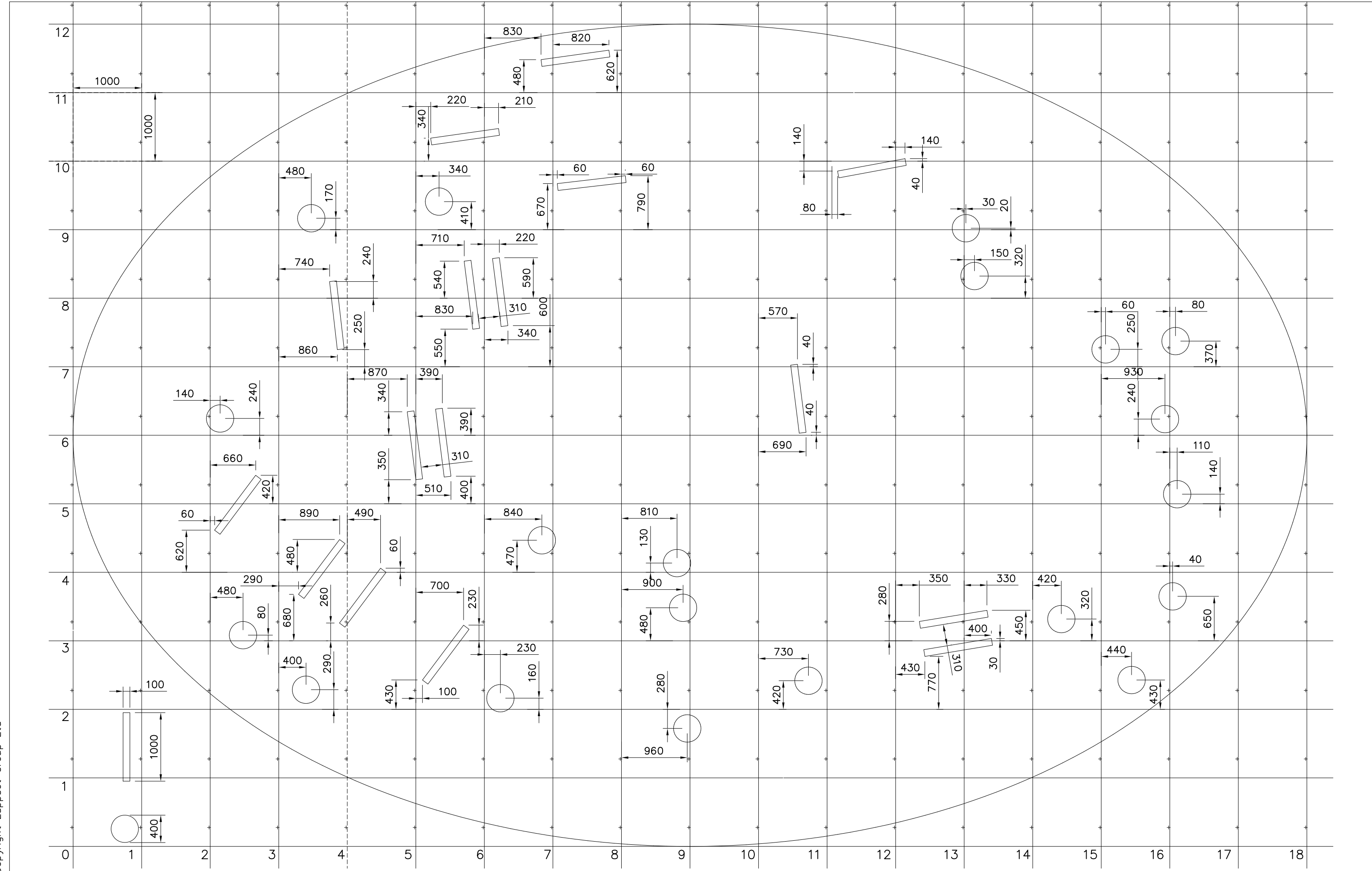


— EN/AS Impact Area 123.9 m²
- - - Falling Space 173.2 m²
Max Falling Height 2530 mm



DATE: 9.1.2019



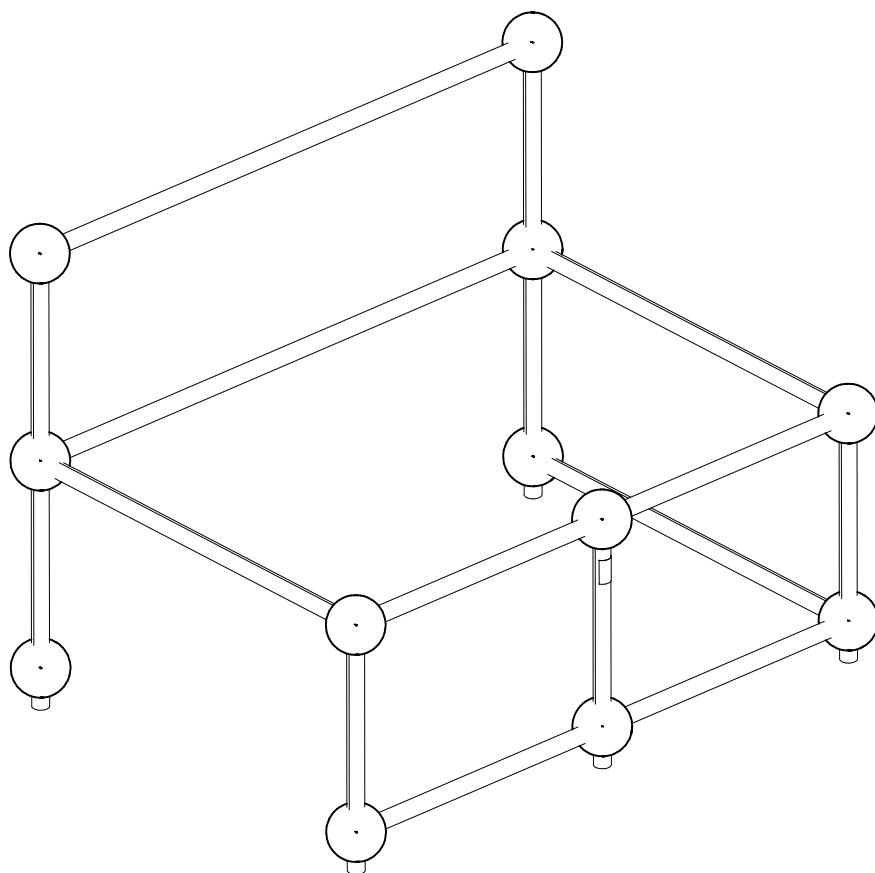
LAPPSET®

PARKOUR

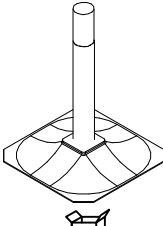
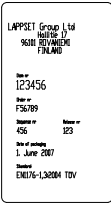

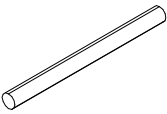
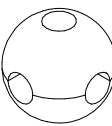
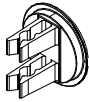
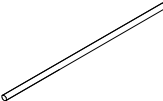

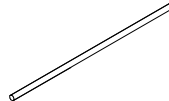
ASENNUSOHJE
MONTERINGSANSVISNING
INSTALLATION INSTRUCTION
AUFBAUANLEITUNG
NOTICE D'INSTALLATION

DATE: 24.2.2015

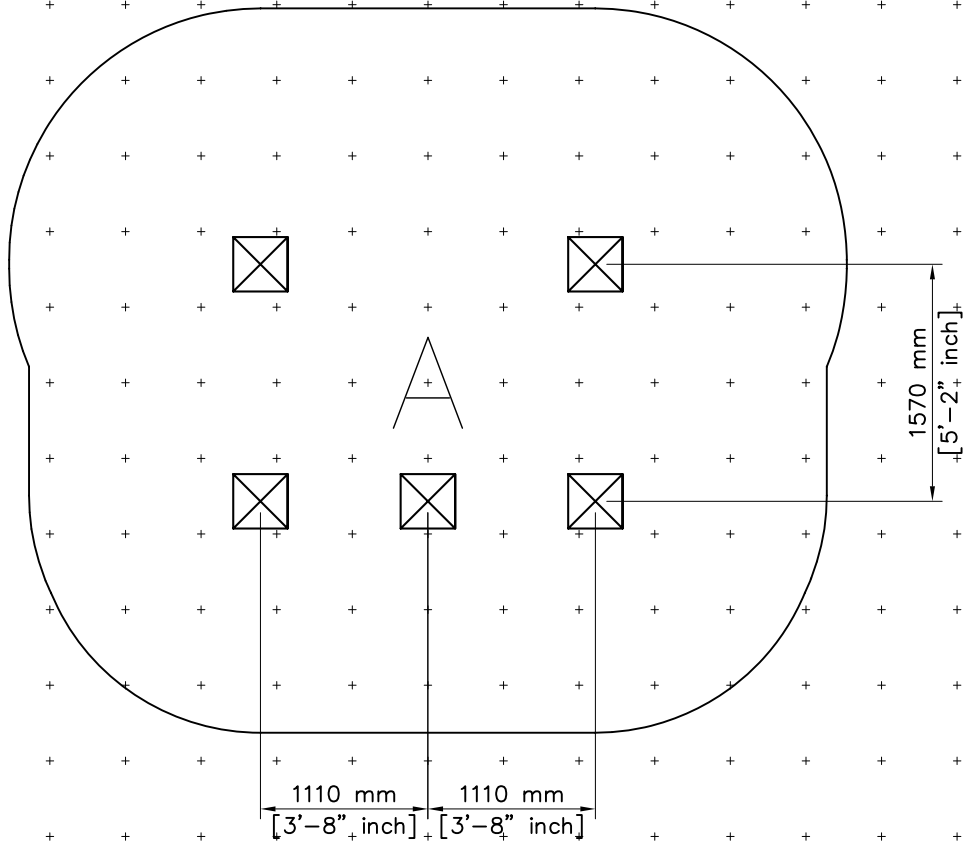
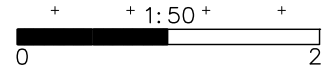
220552



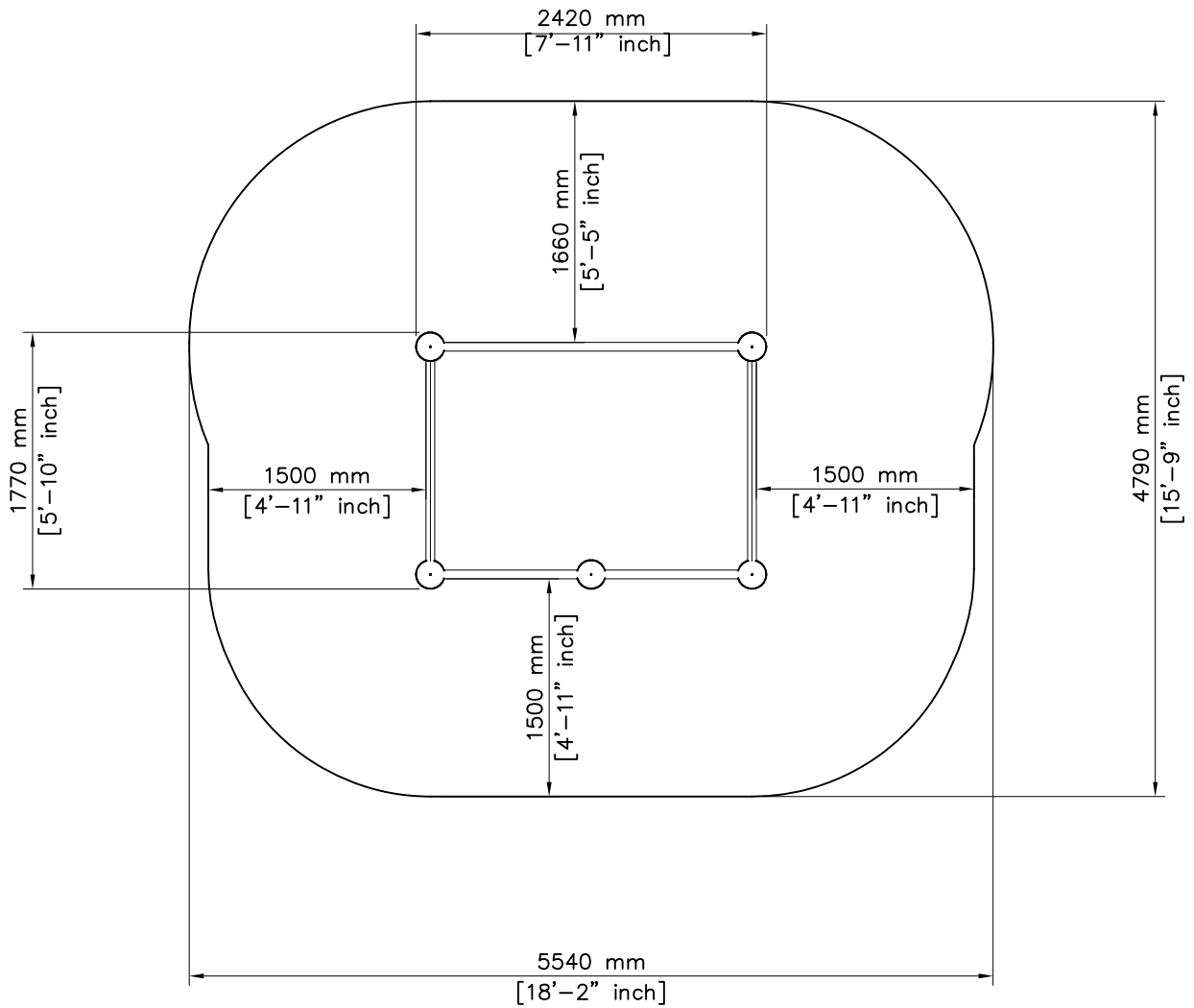
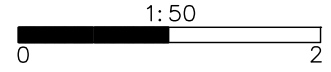
DATE: 24.2.2015

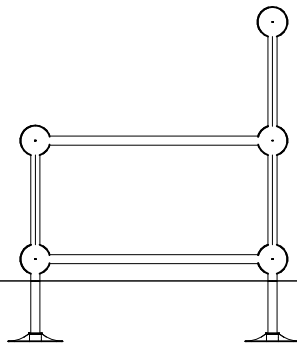
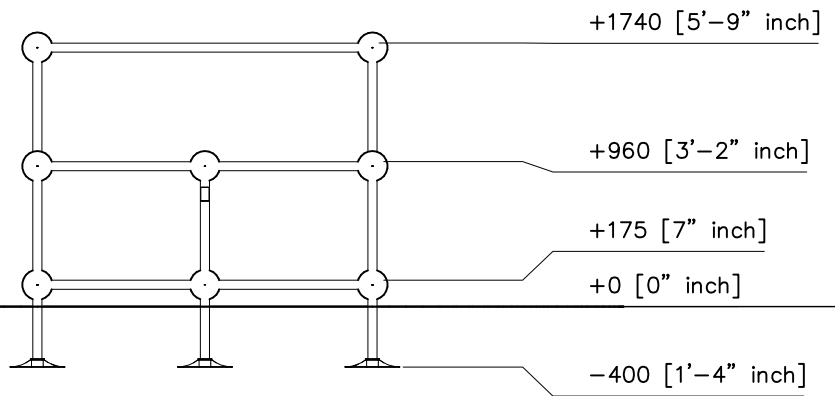
<p>701985</p>  <p>PCS 5</p>	<p>702341</p>  <p>PCS 1</p> <p>90x50</p>	<p>901991</p>  <p>PCS 2</p> <p>L 1493</p>	<p>902022</p>  <p>PCS 3</p> <p>L 710</p>	<p>902134</p>  <p>PCS 12</p>	<p>904747</p>  <p>PCS 35</p> <p>60x60x2</p>
<p>904130</p>  <p>PCS 2</p> <p>L 2148</p>	<p>904184</p>  <p>PCS 3</p> <p>L 1493</p>	<p>904389</p>  <p>PCS 2</p> <p>L 2148</p>			

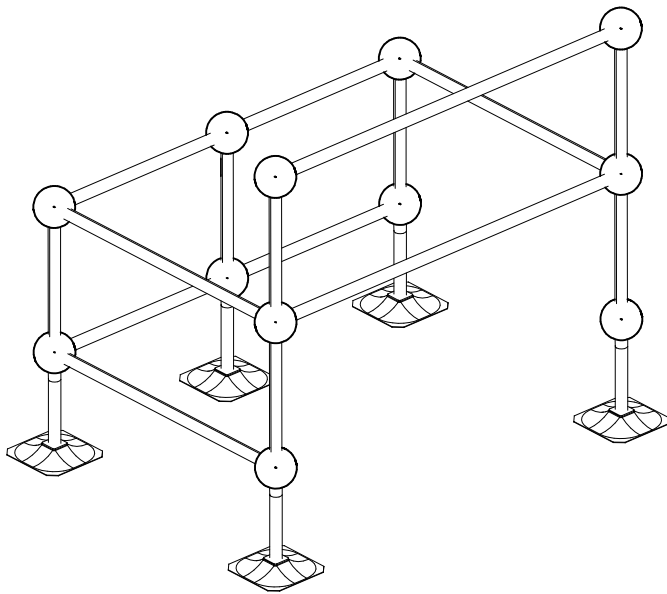
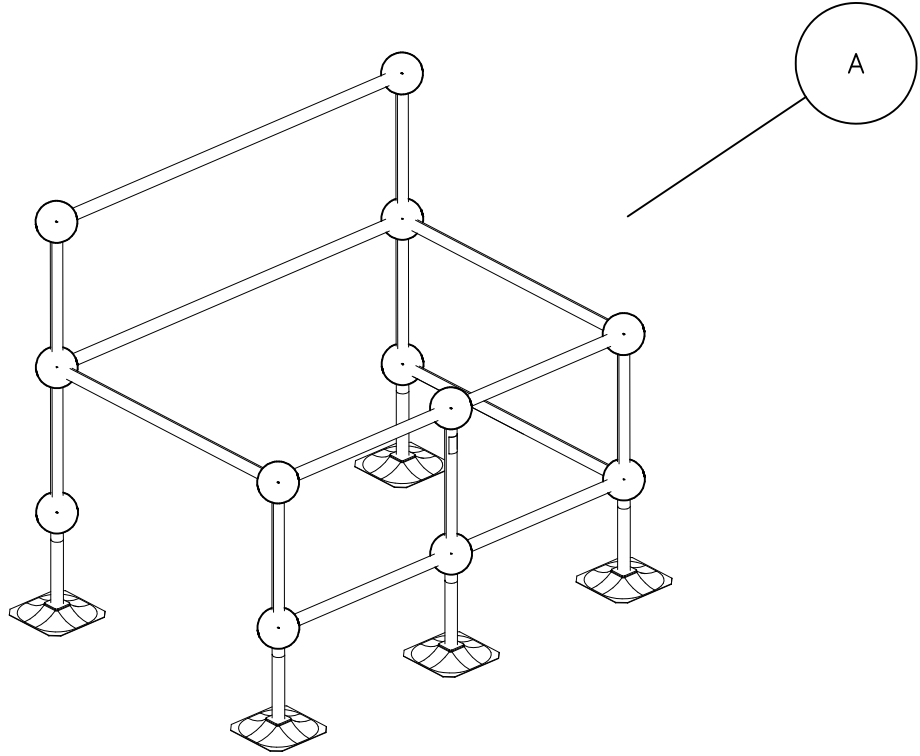
—+ EN/AS Impact Area 23.6 m² (254+ sq ft)
 Grid size = 500mm (20" in)
 - - - Falling Space 23.6 m² (254 sq ft)

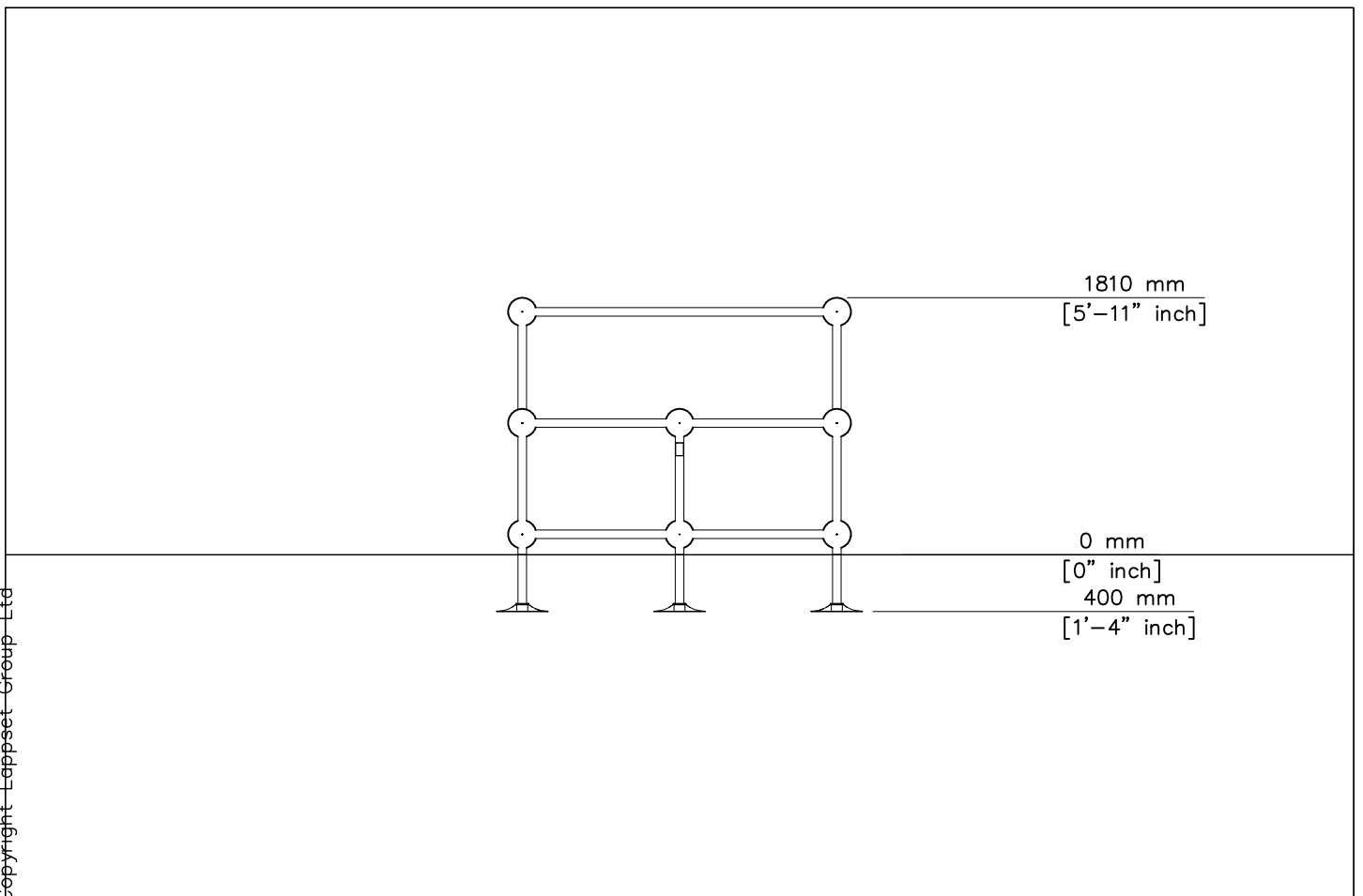
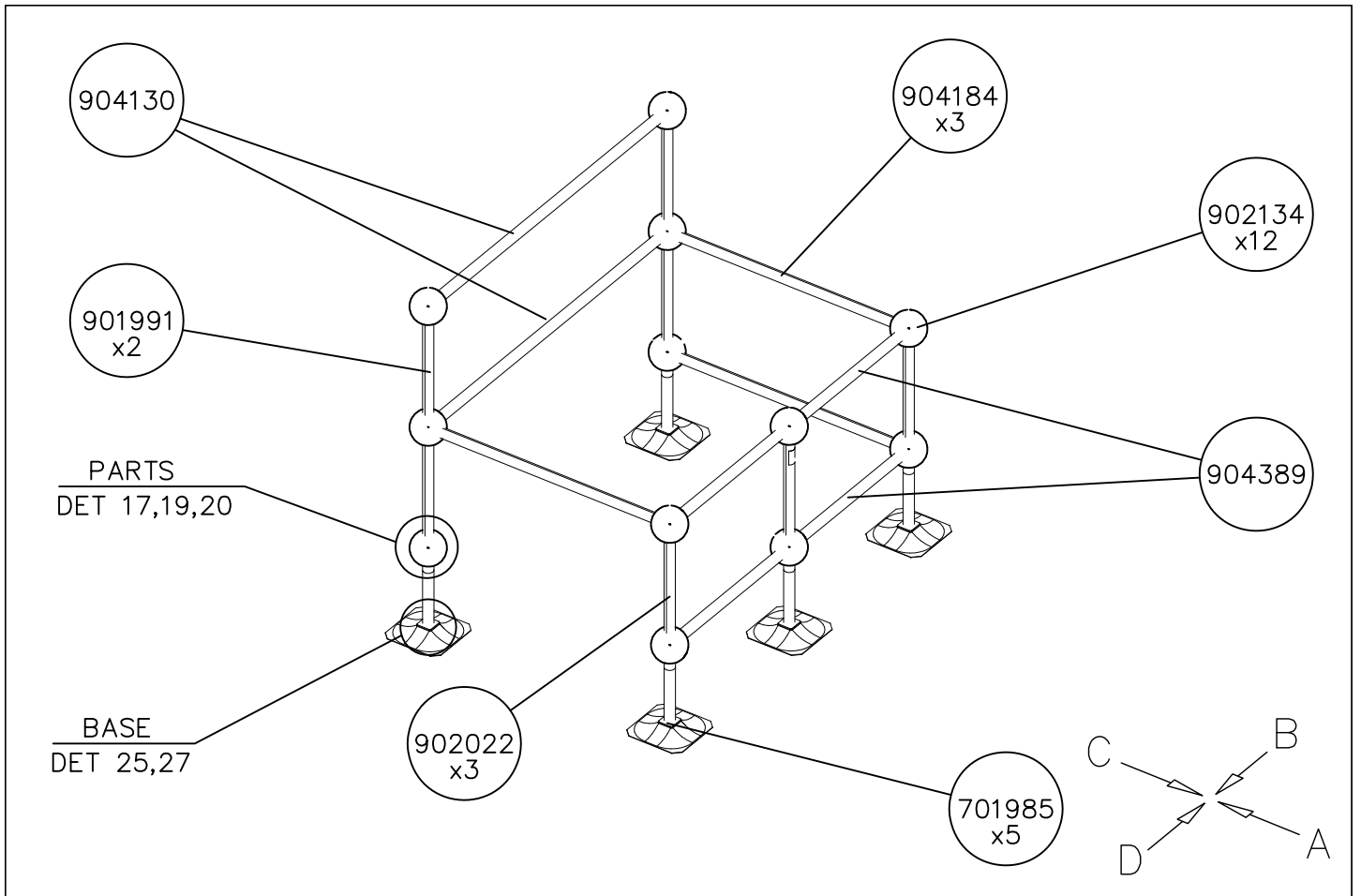


- EN/AS Impact Area 23.6 m² (254 sq ft)
- Falling Space 23.6 m² (254 sq ft)
- Max Falling Height 1745 mm (5'-9" in)





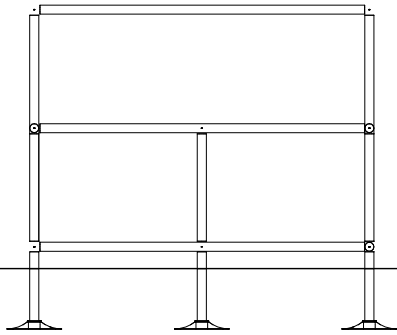




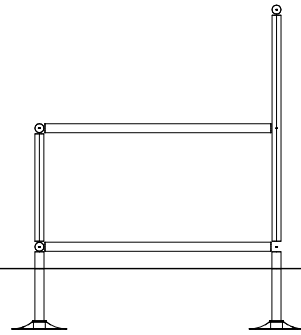
DATE: 24.2.2015

1:50

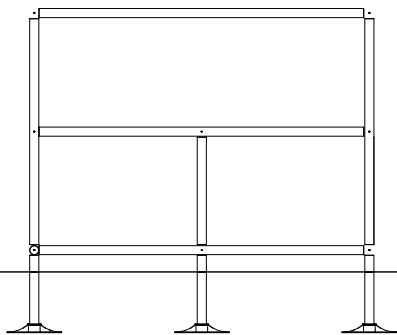
(A)



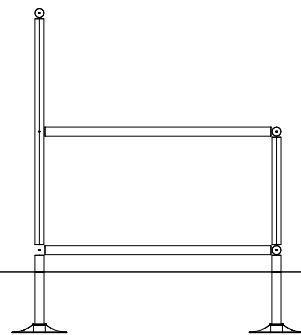
(B)



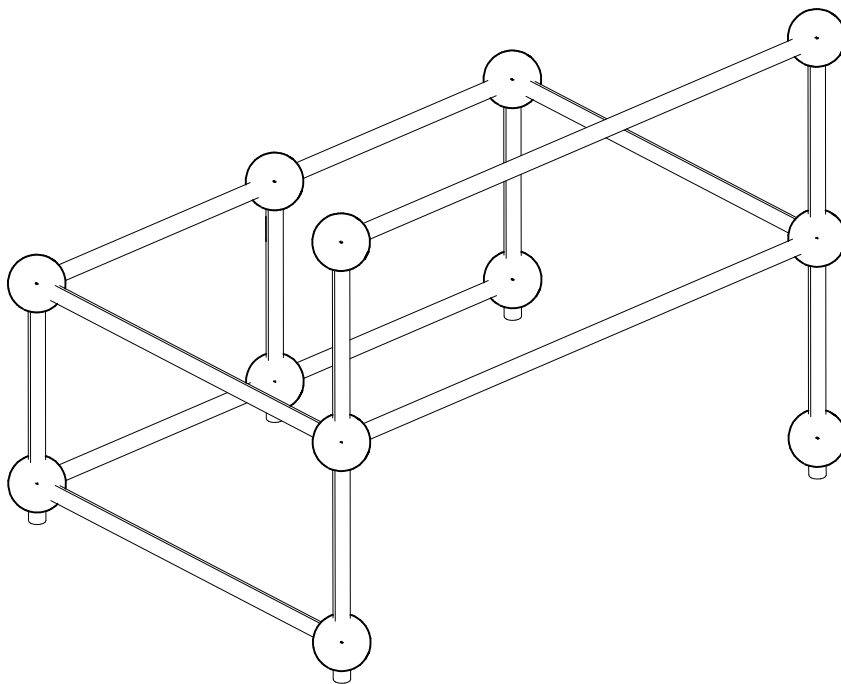
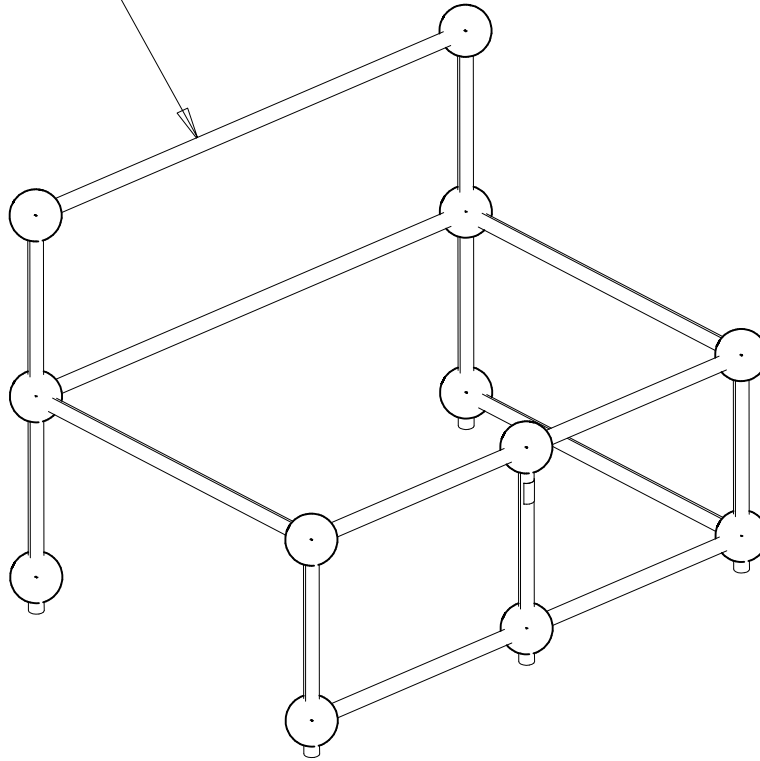
(C)



(D)



Max falling height.



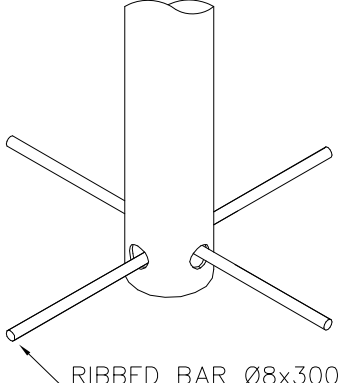
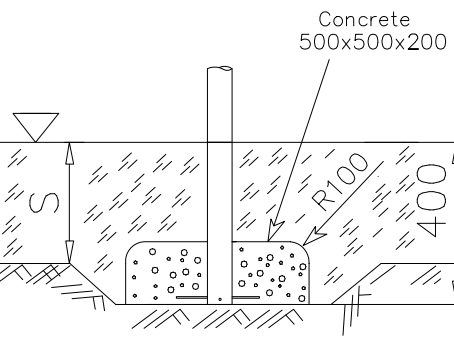
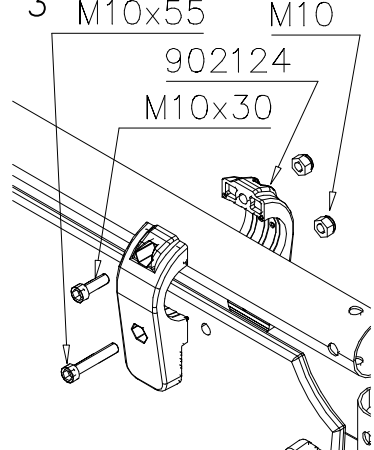
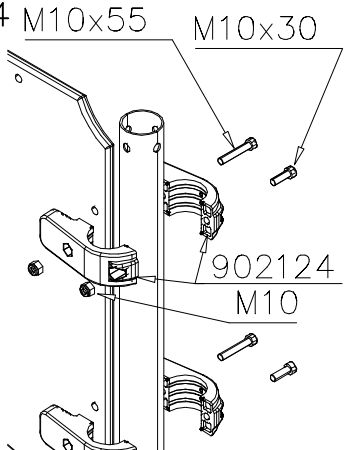
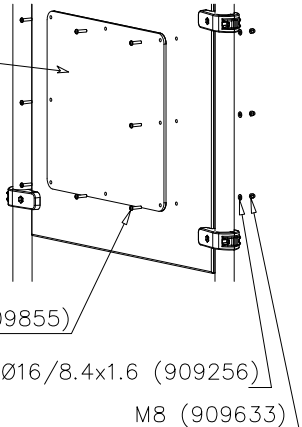
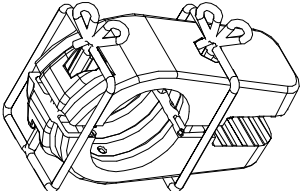
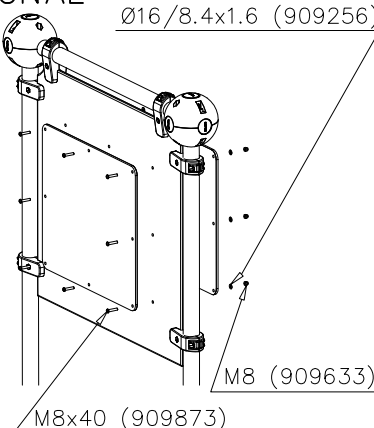
LAPPSET PARKOUR

220590

DATE: 24.5.2018

1(2)

	<p>① 702341 PCS 1 90x50</p>	<p>② 704599 PCS 1 8x STICKERS 90x50</p>
	<p>③ 902134 PCS 2 150x50x50</p>	<p>④ 902157 PCS 8 60x60x2</p>
	<p>⑤ 902424 PCS 1 L 1034</p>	<p>⑥ 904130 PCS 2 L 2148</p>
	<p>⑦ 902124 PCS 12 M10x55</p>	<p>⑧ 980161 PCS 12 M10</p>
	<p>⑨ 902232 PCS 6 M10x55</p>	<p>⑩ 902233 PCS 6 M10x30</p>
	<p>⑪ 704829 PCS 1 15x913x993</p>	<p>⑬ 909855 PCS 8 M8x35</p>
	<p>⑭ 909256 PCS 8 Ø16/8.4x1.6</p>	<p>⑮ 909633 PCS 8 M8</p>
	<p>⑯ 909873 PCS 8 M8x40</p>	<p>⑰ 704855-704866 PCS 1 NOT INCLUDED 8x560x640</p>

<p>DET 1</p>  <p>RIBBED BAR Ø8x300</p>	<p>DET 2</p>  <p>Concrete 500x500x200</p> <p>R100</p> <p>400</p>	<p>DET 3</p>  <p>M10x55 M10</p> <p>902124</p> <p>M10x30</p>
<p>DET 4</p>  <p>M10x55 M10x30</p> <p>902124</p> <p>M10</p>	<p>DET 5</p>  <p>NOTE: Various signs.</p> <p>HUOM: Useita erilaisia kylttejä.</p> <p>M8x35 (909855)</p> <p>Ø16/8.4x1.6 (909256)</p> <p>M8 (909633)</p>	 <p>NOTE: Use a wire marked pairs of the same junction.</p> <p>Huom! Käytä langalla merkittyä paria samassa liitoksessa.</p>
<p>OPTIONAL</p>  <p>Ø16/8.4x1.6 (909256)</p> <p>M8 (909633)</p> <p>M8x40 (909873)</p>		

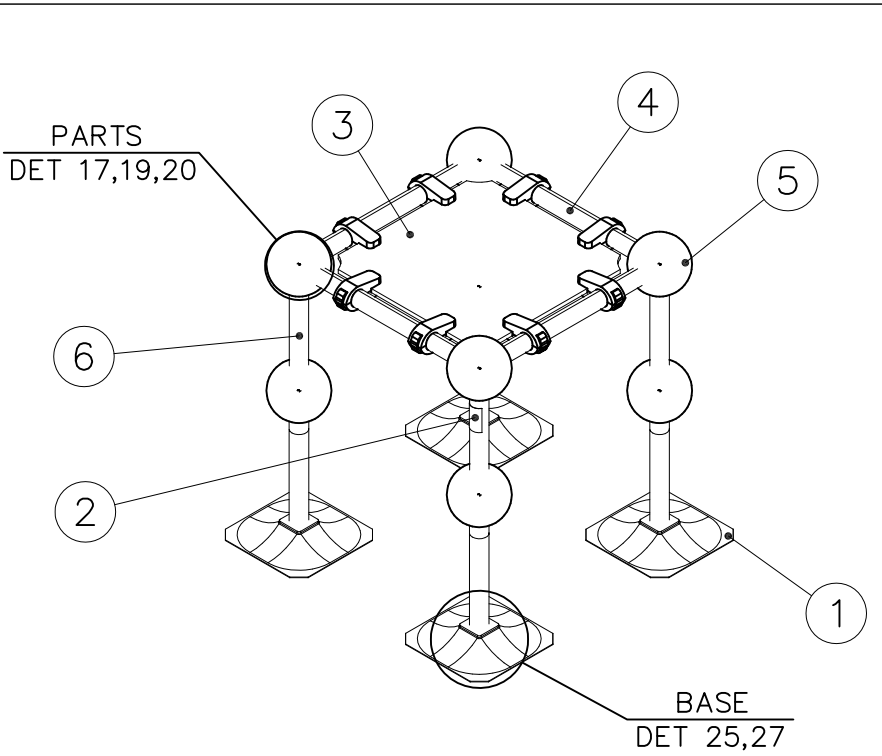
LAPPSET®

PARKOUR

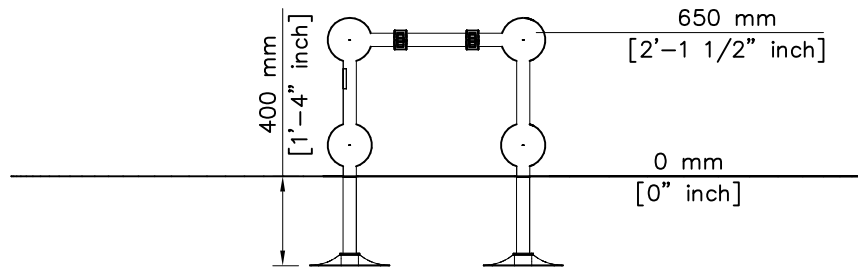
220503

DATE: 20.2.2015

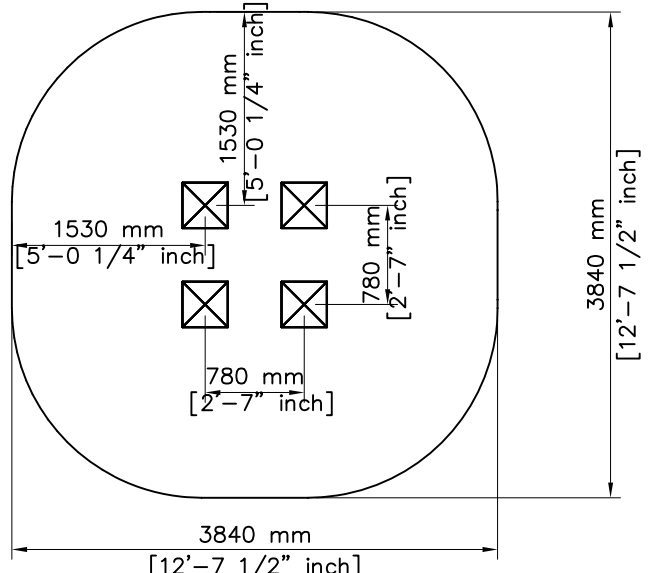
1(1)

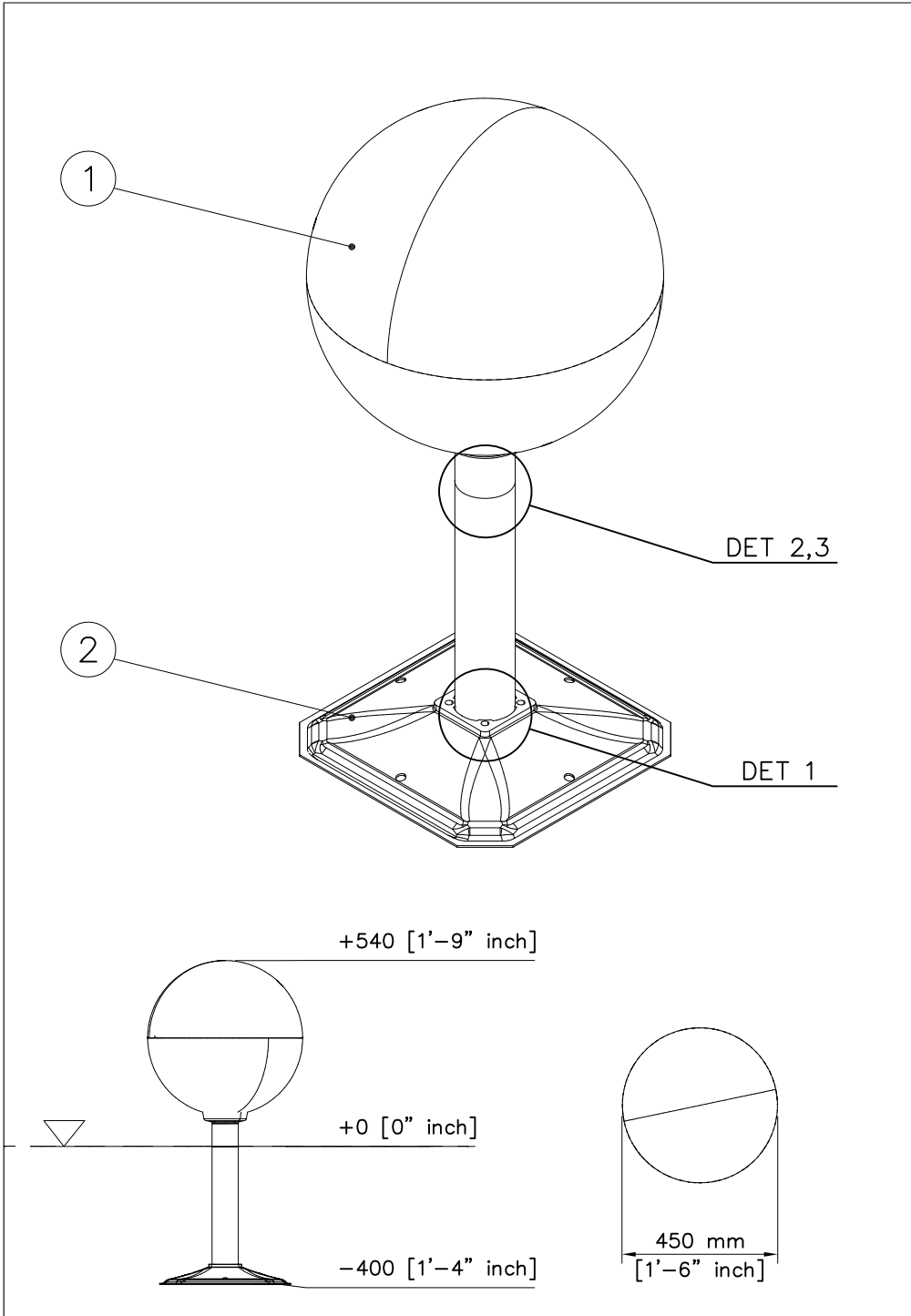


① 701985	PCS	② 702341	PCS
	4	 LAPPSET Group Ltd NEW BRISTOL FURNISH NO. 223456 PC500 CEN L 90x50 L 90x50 EN615-1:2004	1
③ 702056	PCS	④ 902022	PCS
	1	 L 710	4
⑤ 902134	PCS	⑥ 904132	PCS
	8	 L 400	4
⑦ 904747	PCS		PCS
	28		
60x60x2			
	PCS		PCS
	PCS		PCS
	PCS		PCS
	PCS		PCS

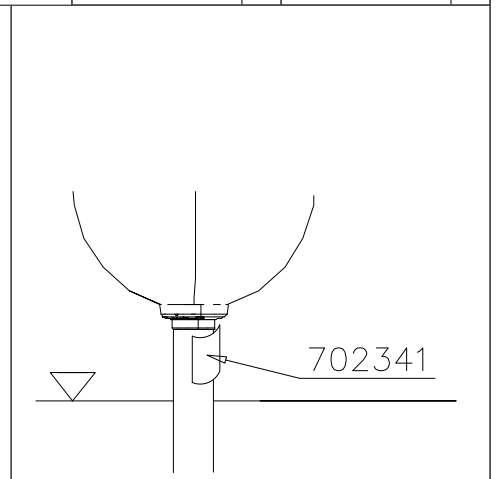
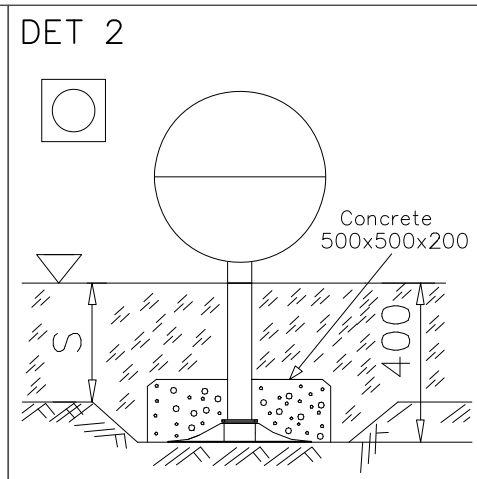
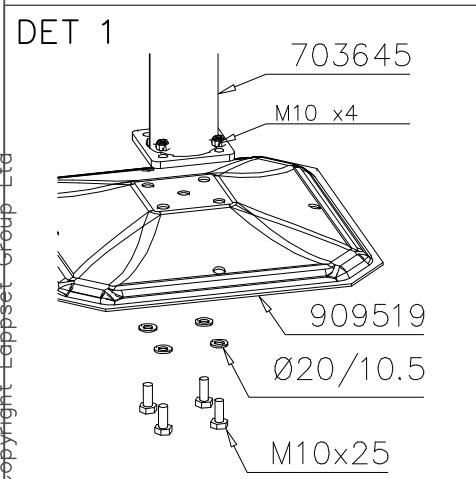


—— EN Impact Area 12.8 m² (137.8 sq ft)
 - - - Falling Space 12.8 m² (137.8 sq ft)
 Max Falling Height 650 mm (2'-1 1/2" in)

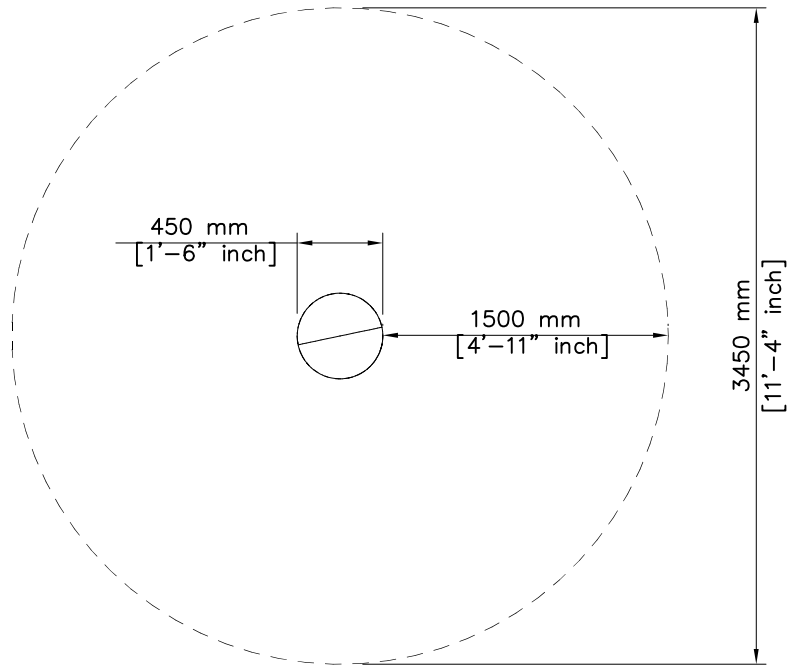
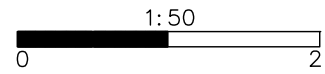


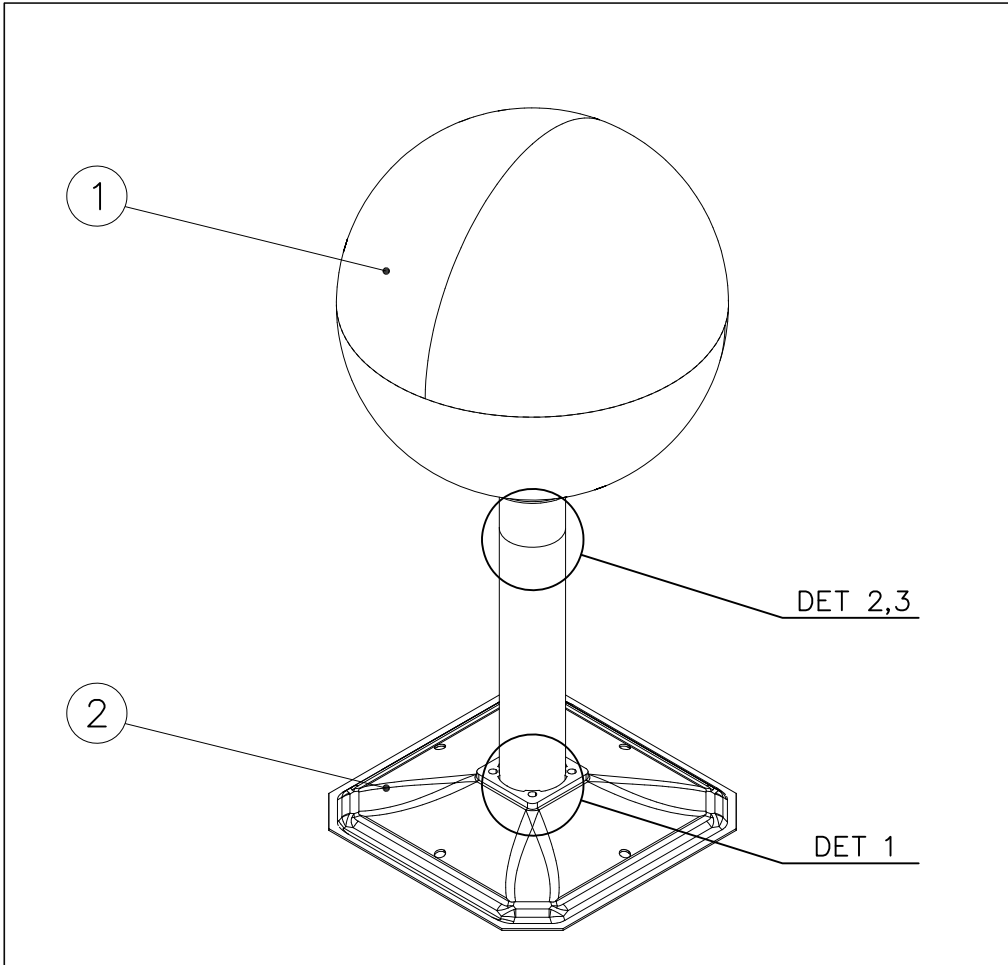


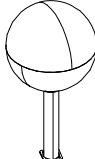
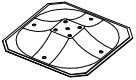

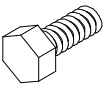

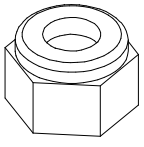
① 703645	PCS	② 909519	PCS
	1		1
		380x380	
③ 909638	PCS	④ 909639	PCS
	4		4
Ø20/10.5		M10x25	
⑤ 702341	PCS	⑥ 909637	PCS
	1		4
		M10	
	PCS		PCS
	PCS		PCS
	PCS		PCS

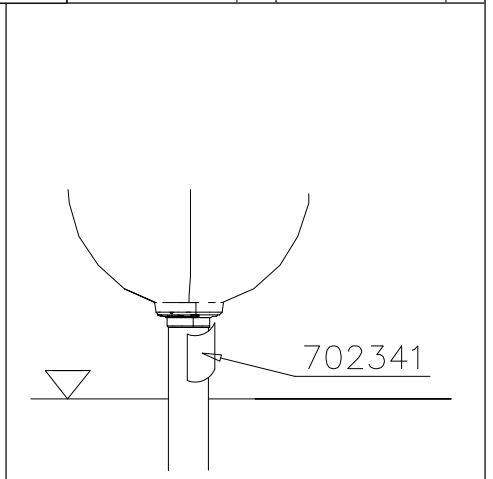
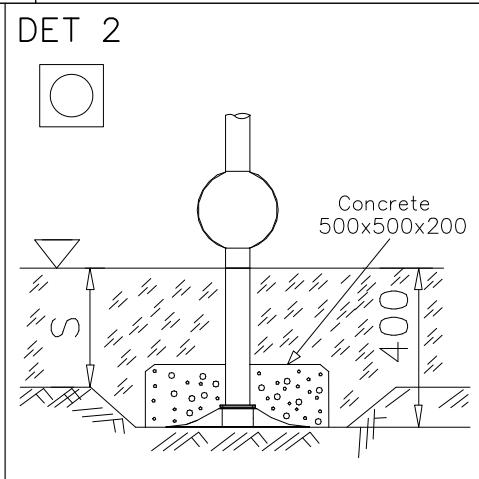
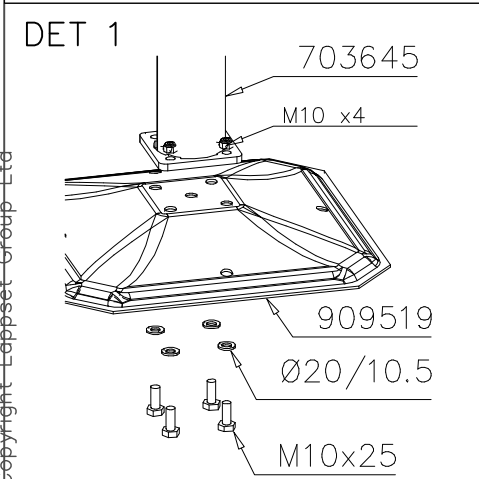
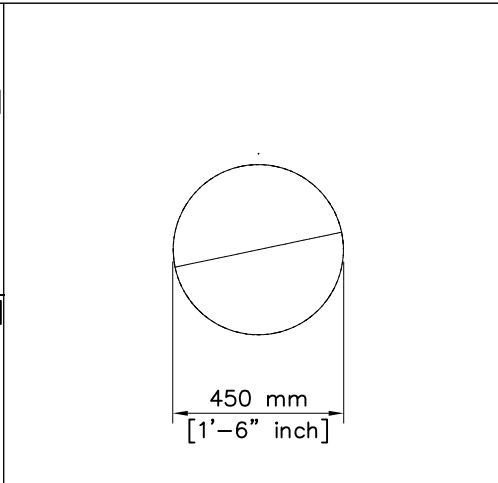
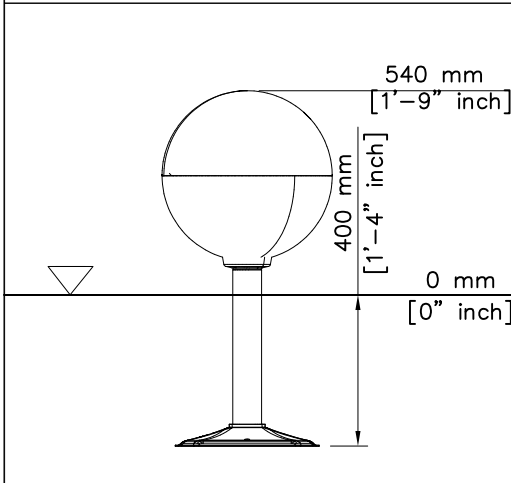


----- Falling Space 9.3 m² (100 sq ft)
Max Falling Height 540 mm (1'-9" in)

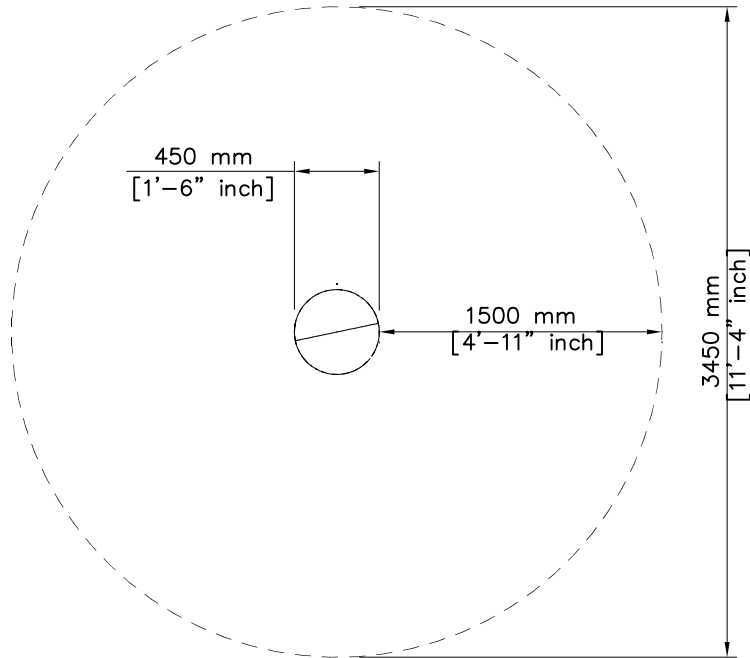
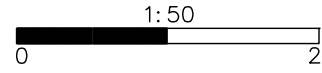




① 703644	PCS	② 909519	PCS
	1		1
		380x380	
③ 909638	PCS	④ 909639	PCS
	4		4
Ø20/10.5		M10x25	
⑤ 702341	PCS	⑥ 909637	PCS
	1		4
		M10	
	PCS		PCS
	PCS		PCS



----- Falling Space 9.3 m² (100 sq ft)
Max Falling Height 540 mm (1'-9" in)



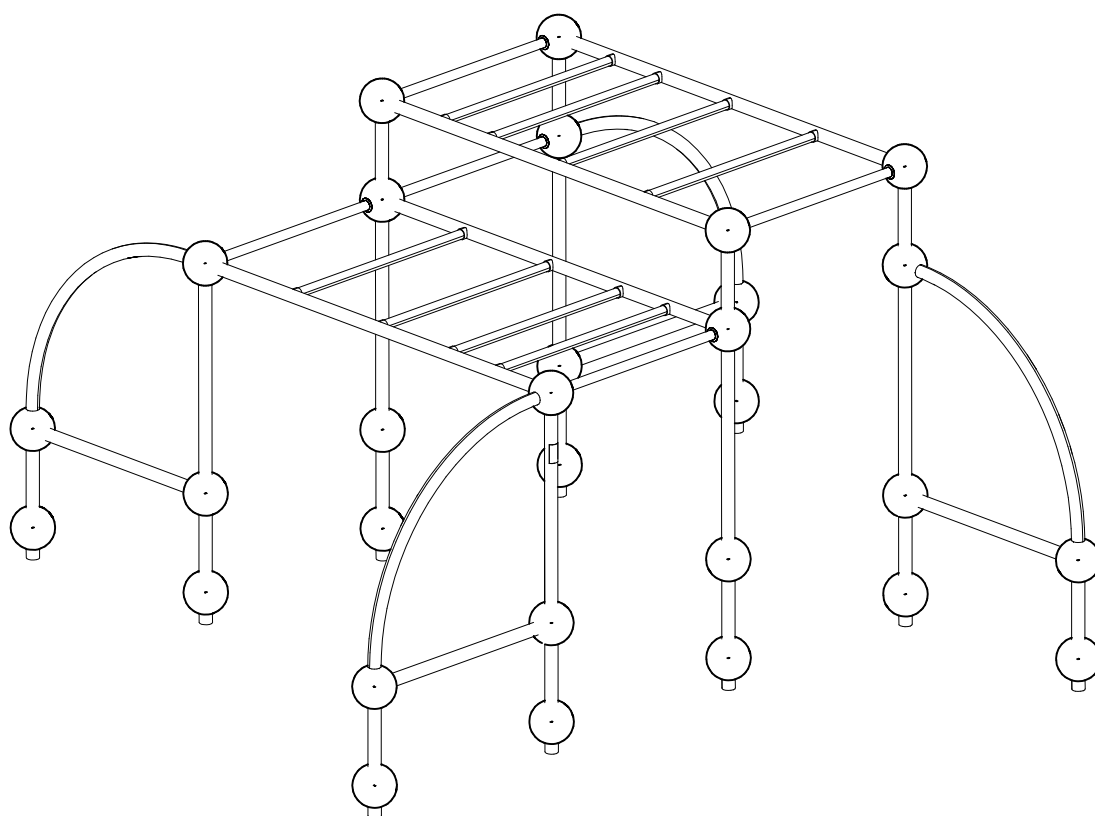
LAPPSET®

PARKOUR

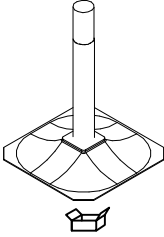

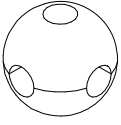
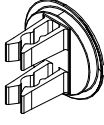

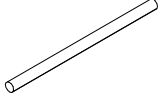
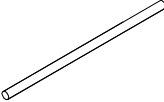
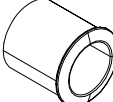
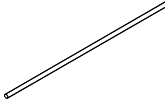
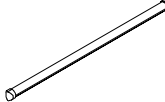

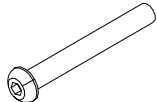
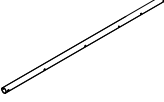

ASENNUSOHJE
MONTERINGSANSVISNING
INSTALLATION INSTRUCTION
AUFBAUANLEITUNG
NOTICE D'INSTALLATION

DATE: 20.2.2015

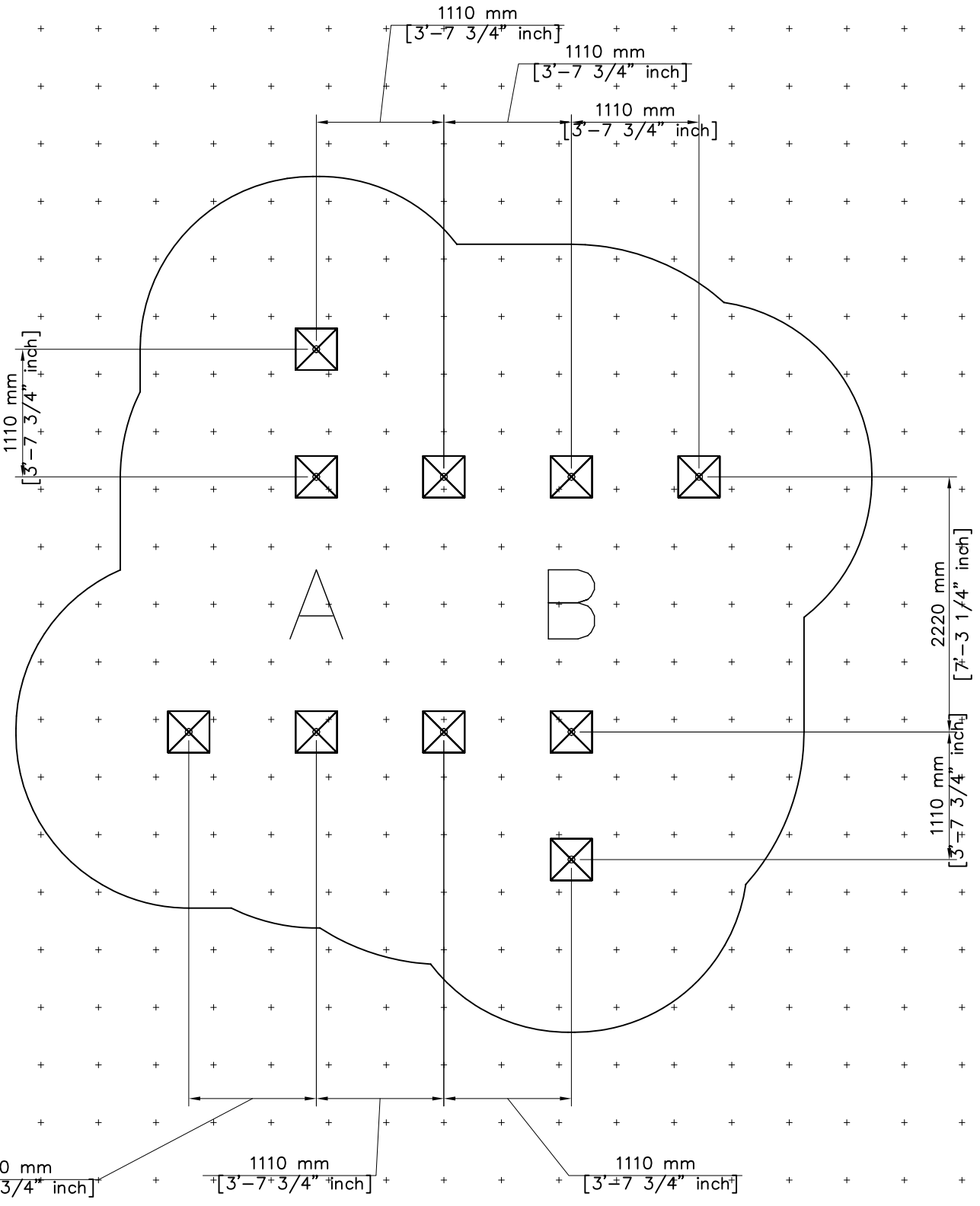
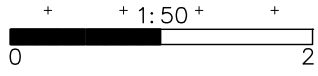
220511



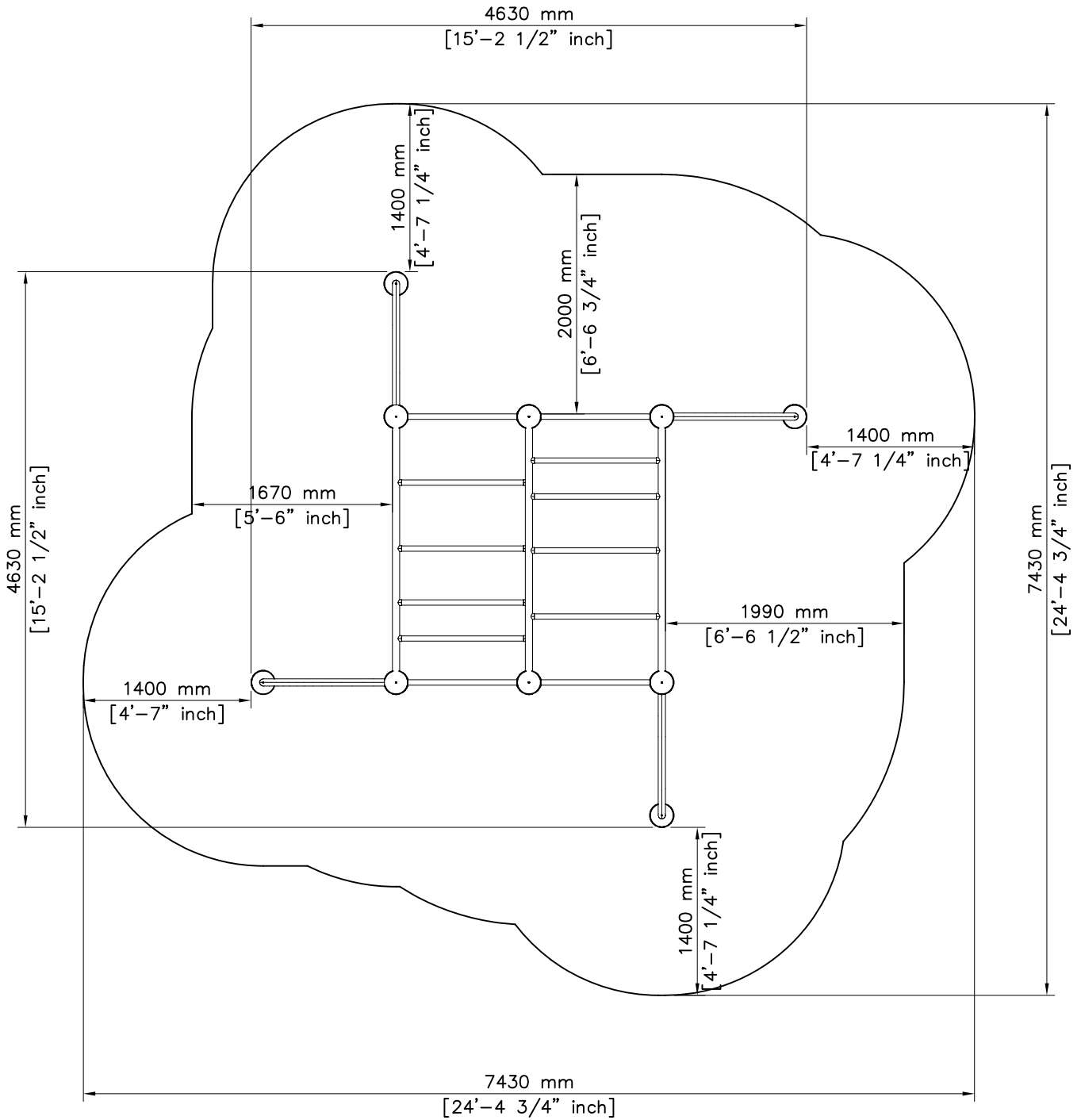
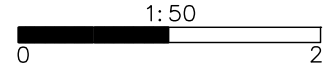
DATE: 20.2.2015

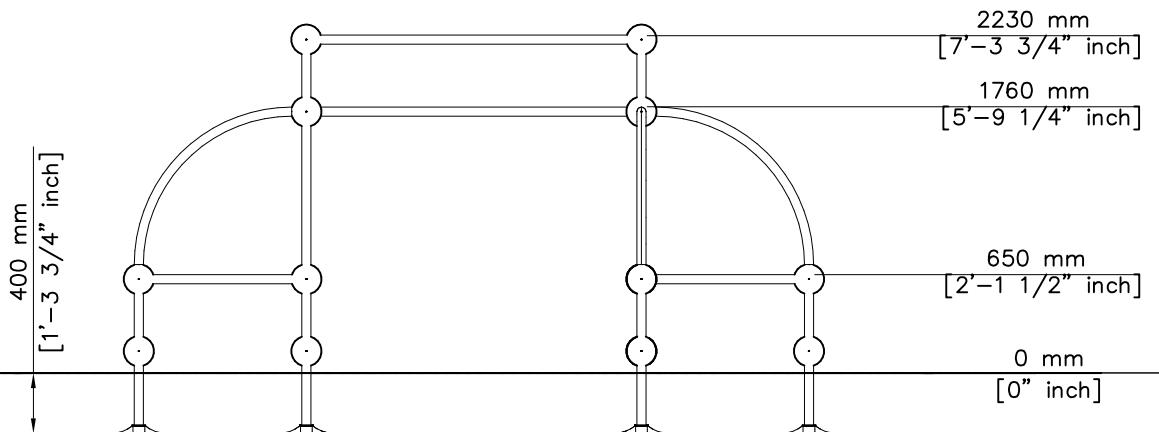
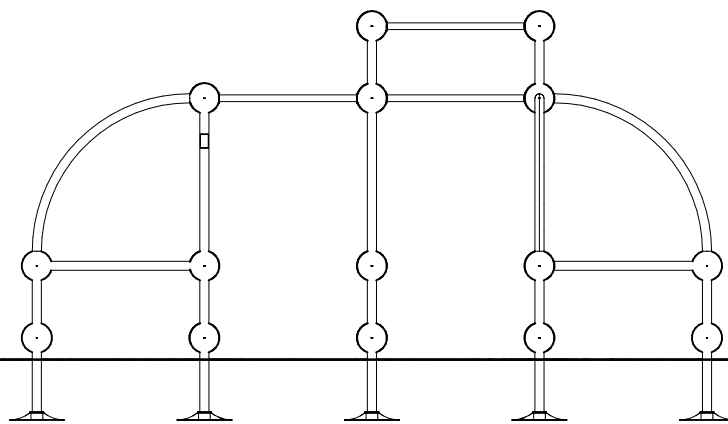
<p>701985</p>  <p>PCS 10</p>	<p>702341</p>  <p>PCS 1</p> <p>90x50</p>	<p>902134</p>  <p>PCS 30</p>	<p>904747</p>  <p>PCS 94</p> <p>60x60x2</p>	<p>902418</p>  <p>PCS 4</p>	<p>902424</p>  <p>PCS 10</p> <p>L 1034</p>
<p>904015</p>  <p>PCS 3</p> <p>Ø44.5x1034</p>	<p>904100</p>  <p>PCS 10</p> <p>44.5-60.3</p>	<p>904102</p>  <p>PCS 1</p> <p>Ø44.5x2148</p>	<p>904103</p>  <p>PCS 8</p> <p>Ø44.5x1073</p>	<p>904132</p>  <p>PCS 14</p> <p>L 402</p>	<p>904133</p>  <p>PCS 16</p> <p>M10x80</p>
<p>904134</p>  <p>PCS 4</p> <p>L 2148</p>	<p>904158</p>  <p>PCS 16</p> <p>Ø18/10.5</p>				

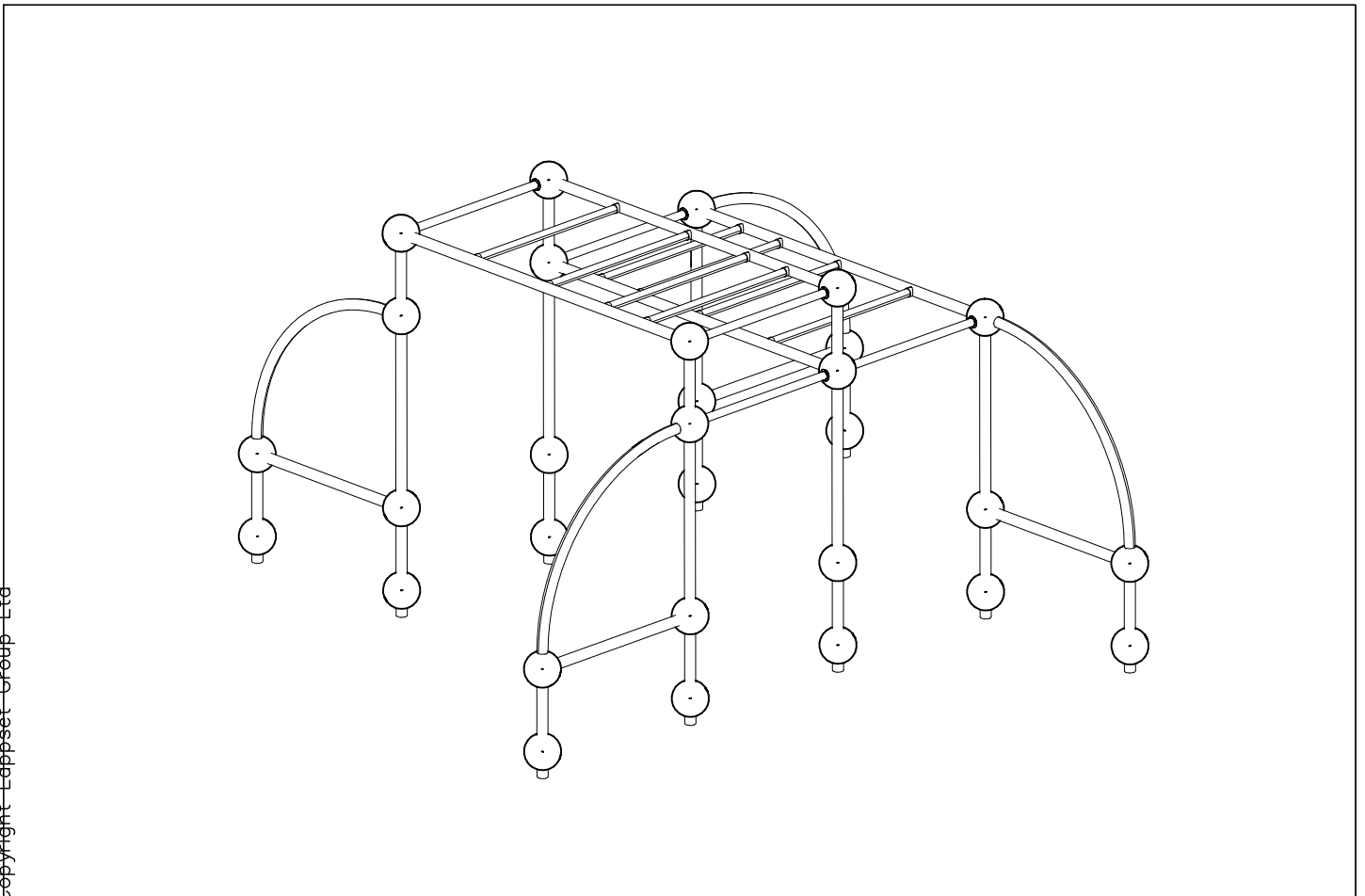
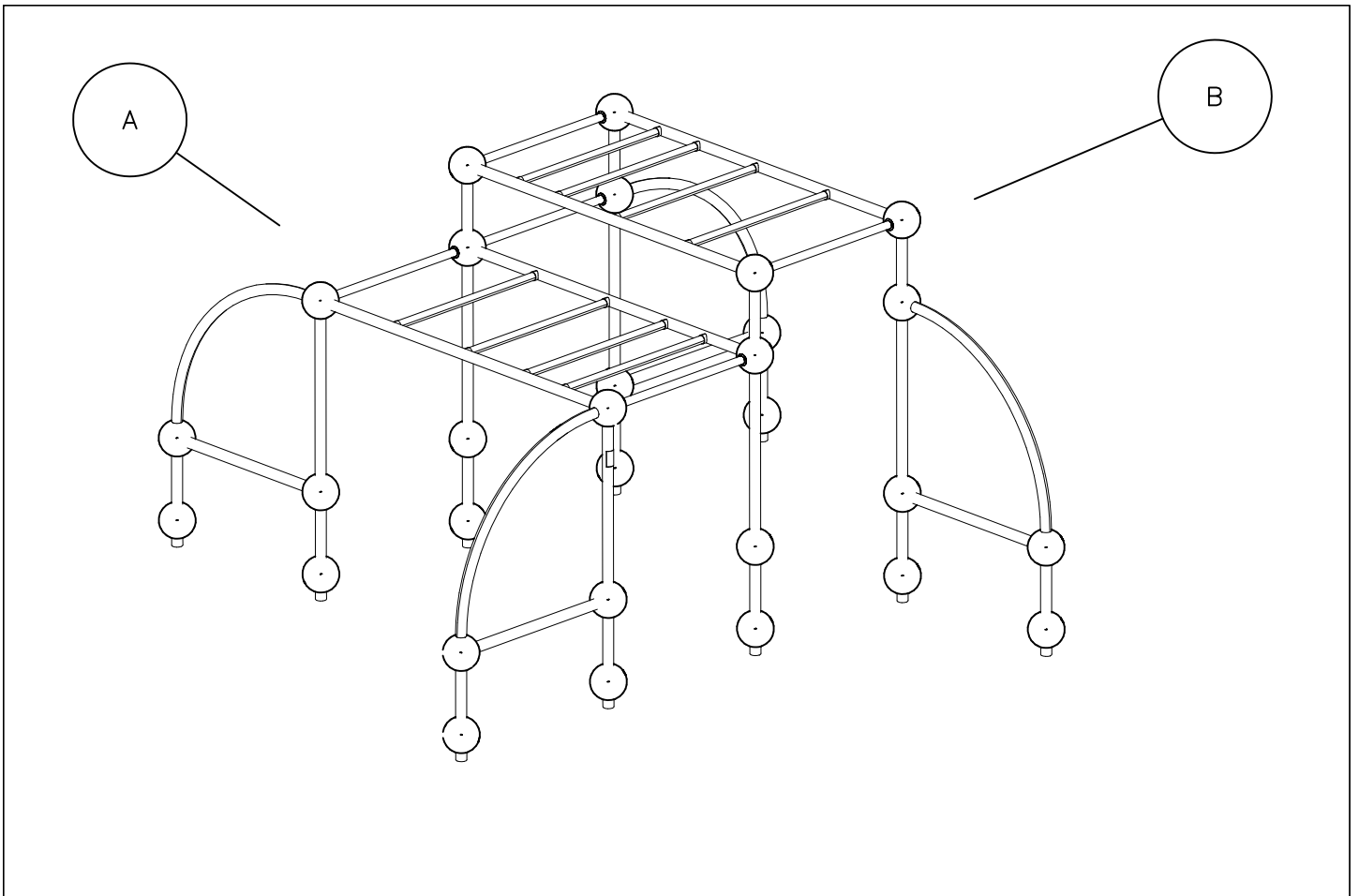
---+ EN/AS Impact Area 39.5 m² (425+sq ft)
 Grid size = 500mm (20" in)
 - - - - Falling Space 39.5 m² (425 sq ft)



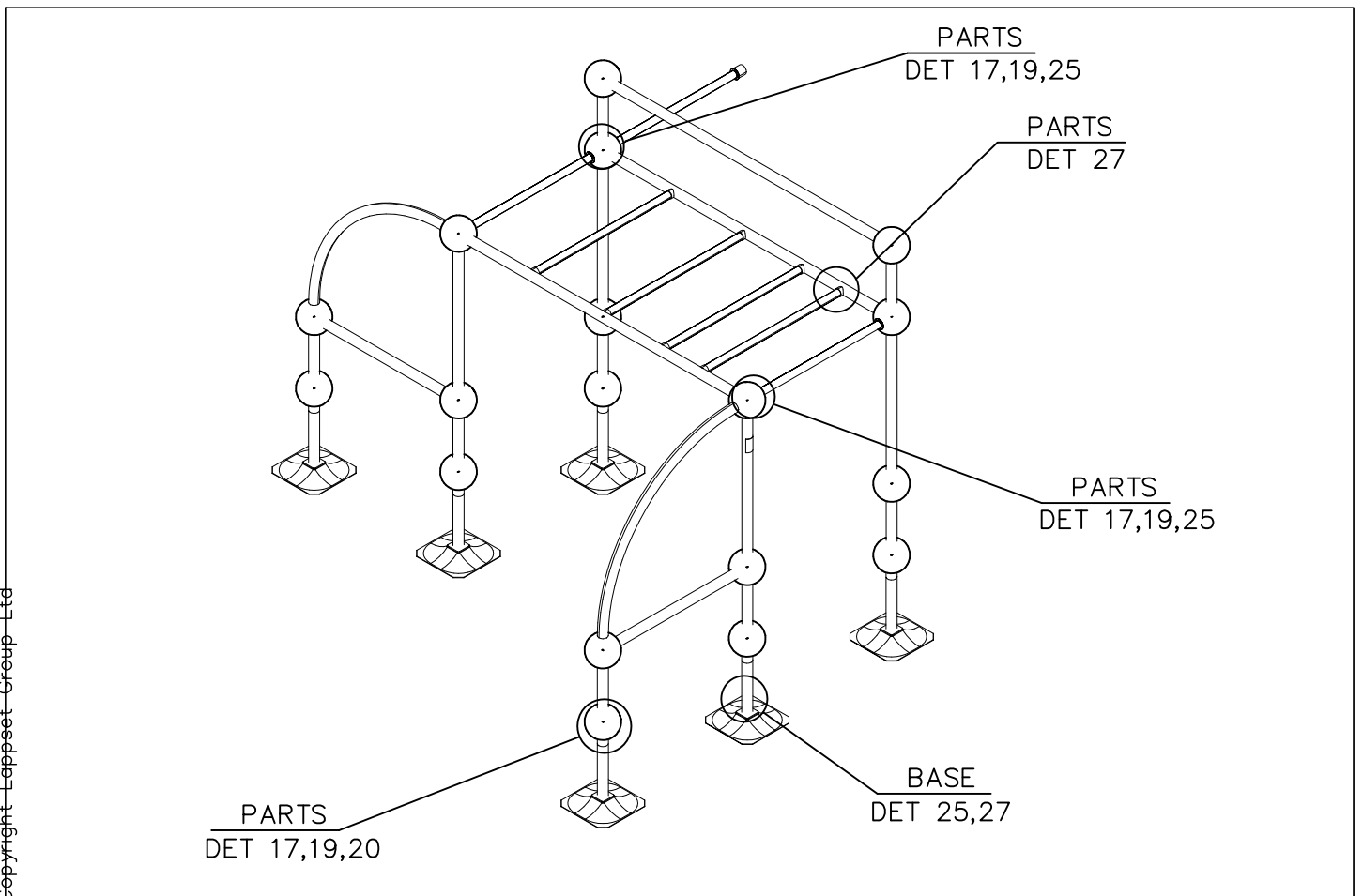
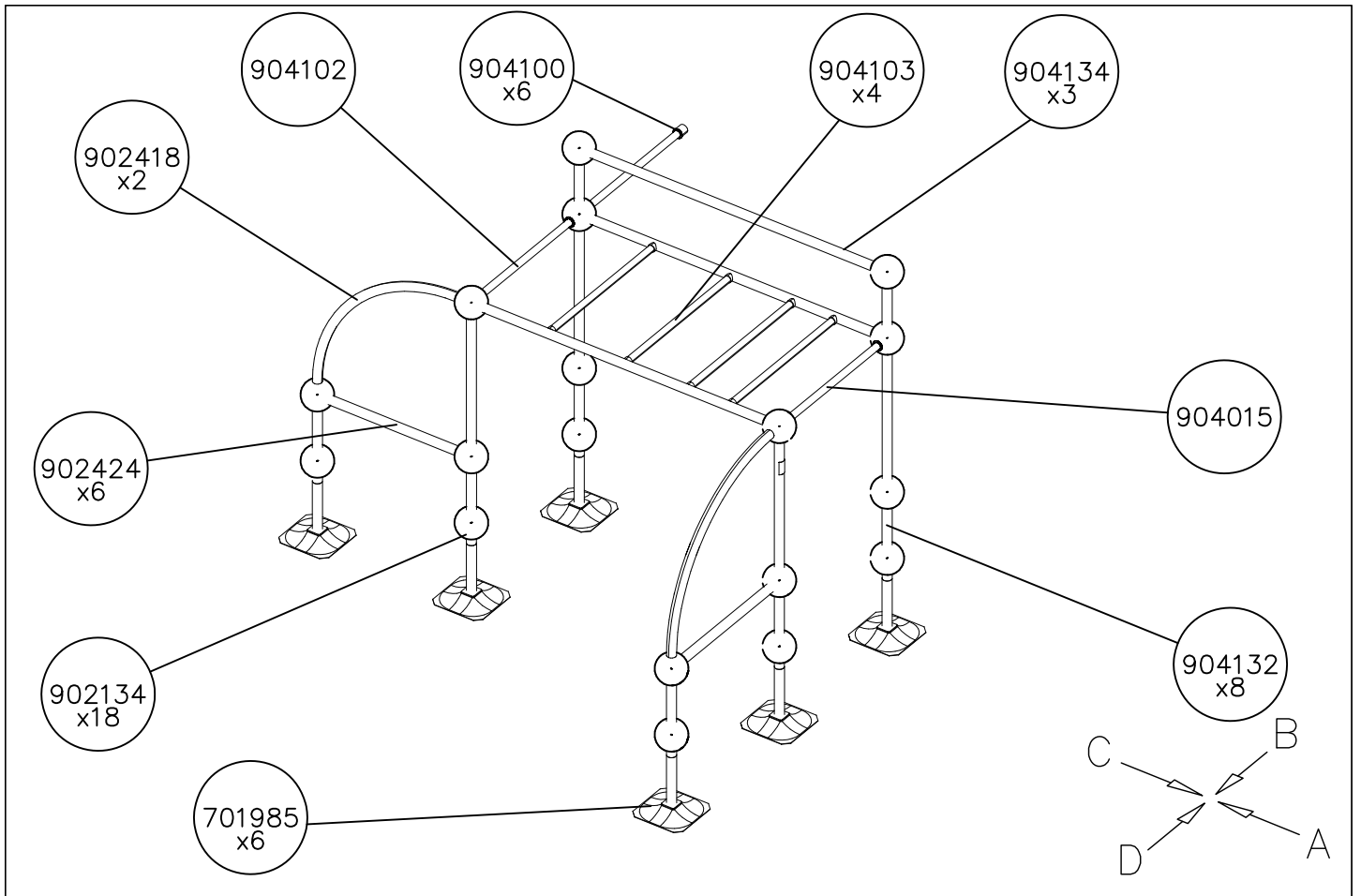
- EN/AS Impact Area 39.5 m² (425 sq ft)
- Falling Space 39.5 m² (425 sq ft)
- Max Falling Height 2230 mm (7'-3 3/4" in)







DATE: 20.2.2015

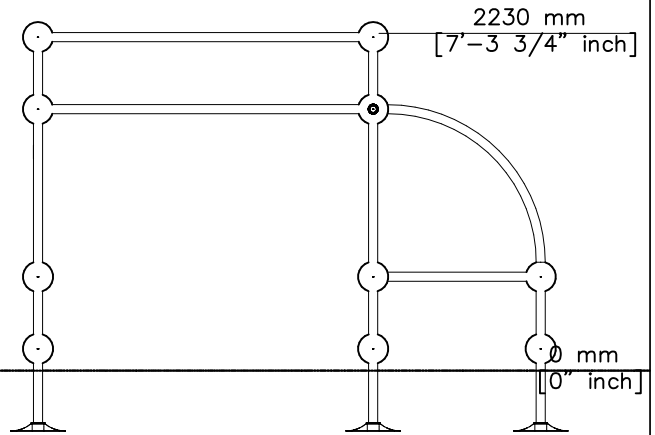
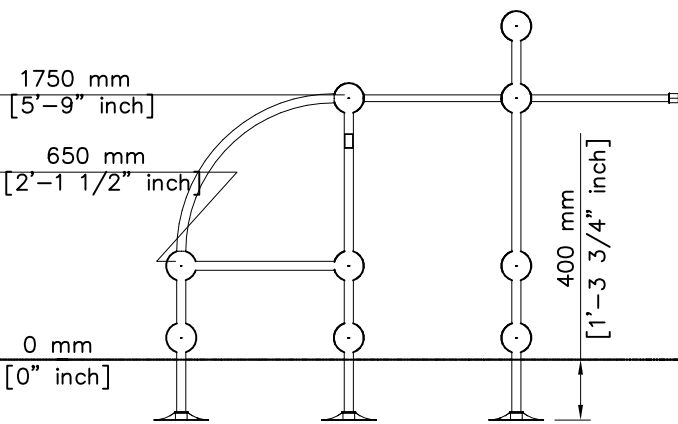


DATE: 20.2.2015

1:50

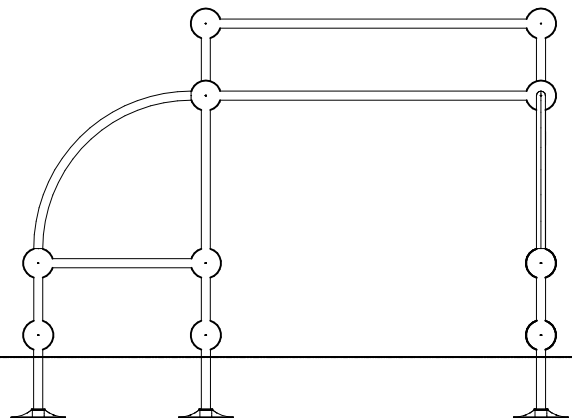
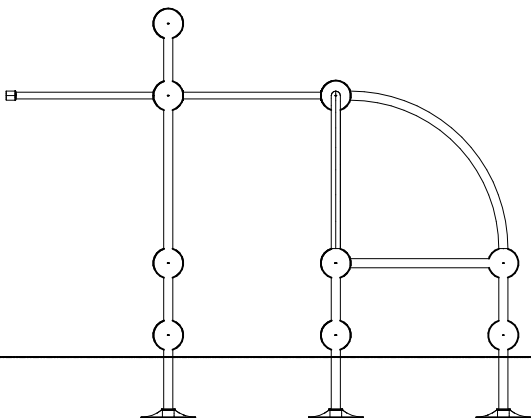
(A)

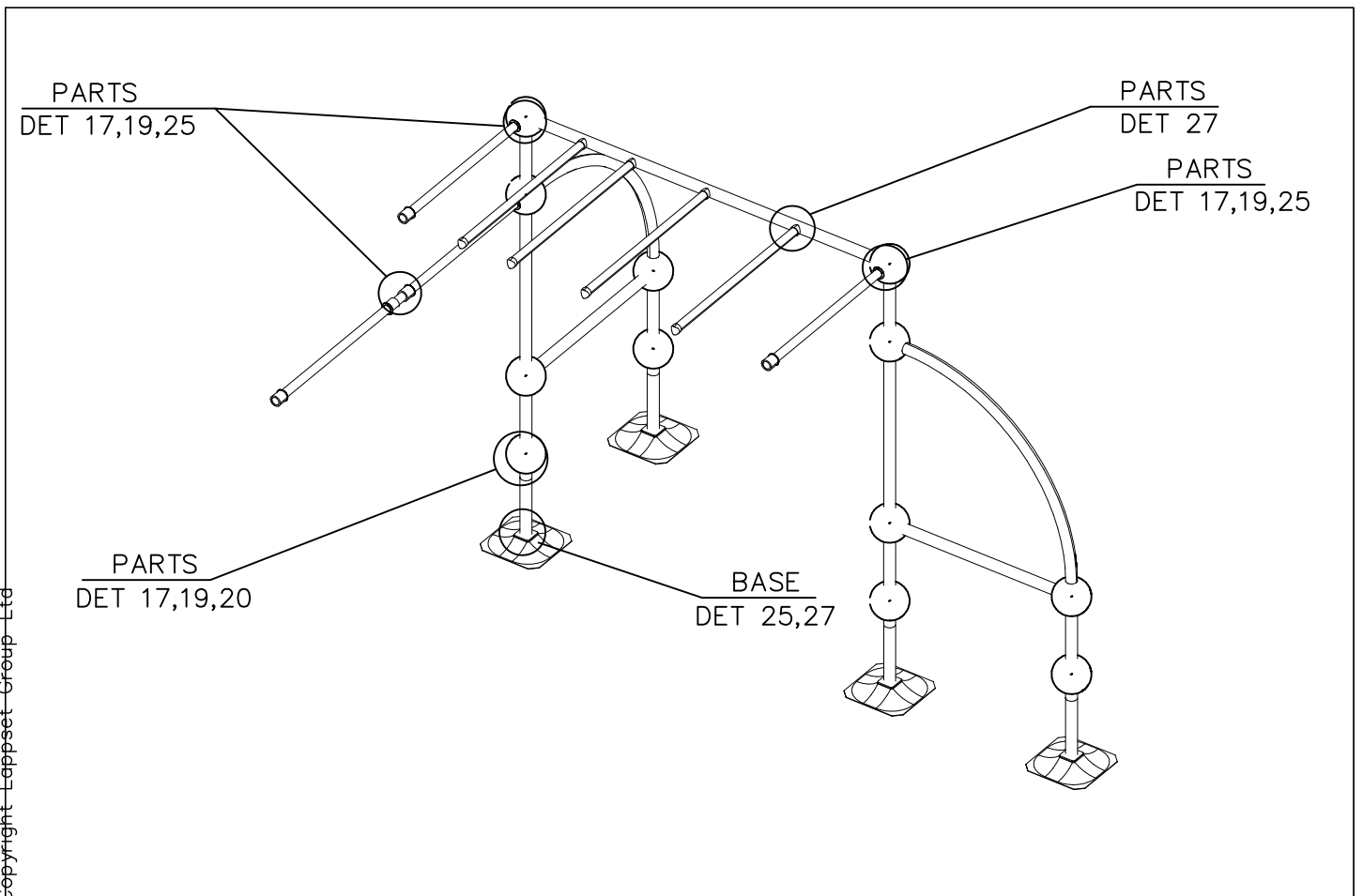
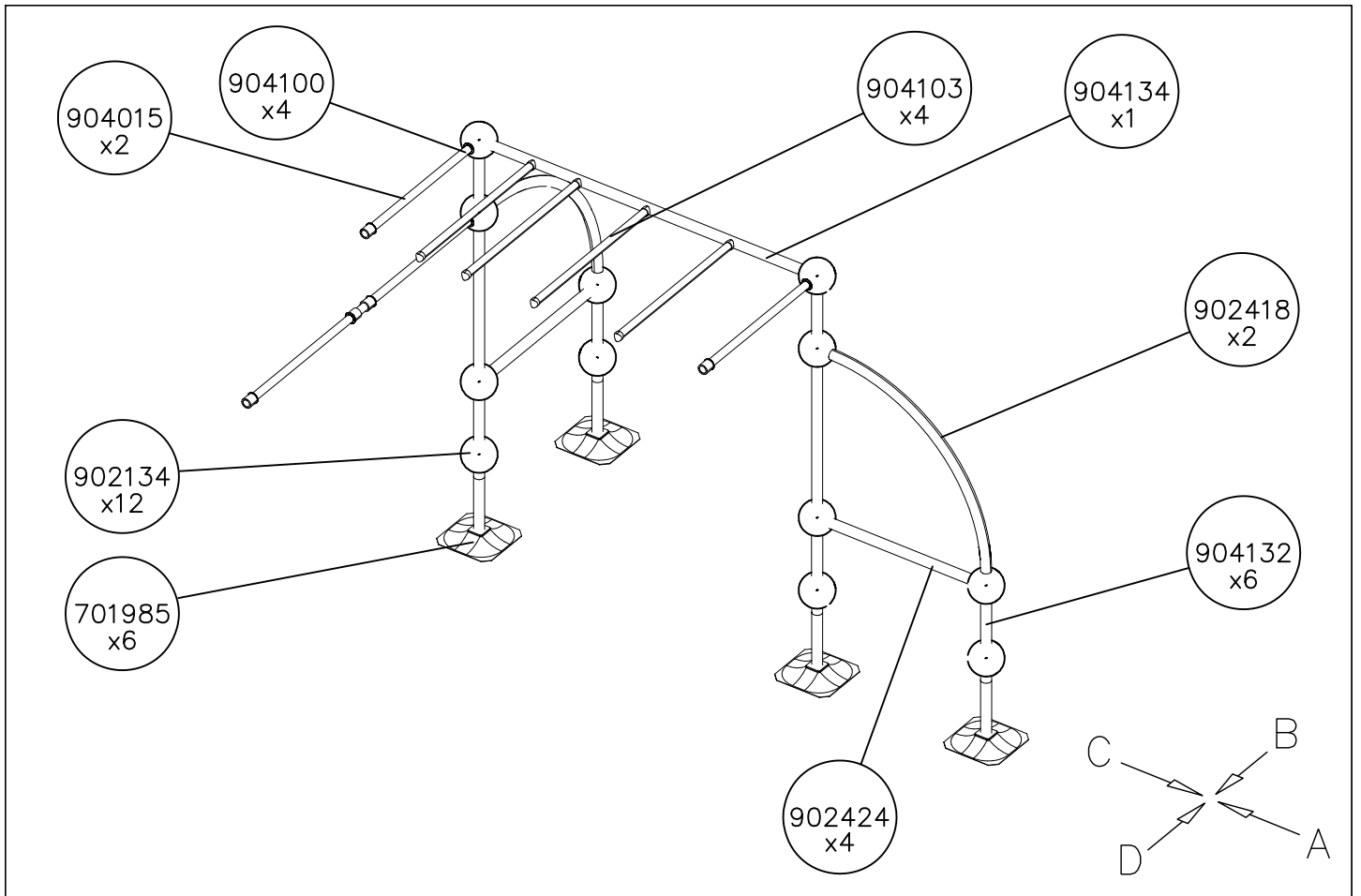
(B)



(C)

(D)

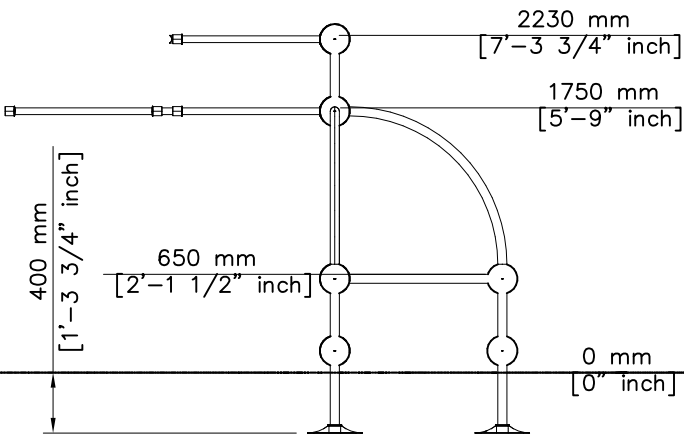




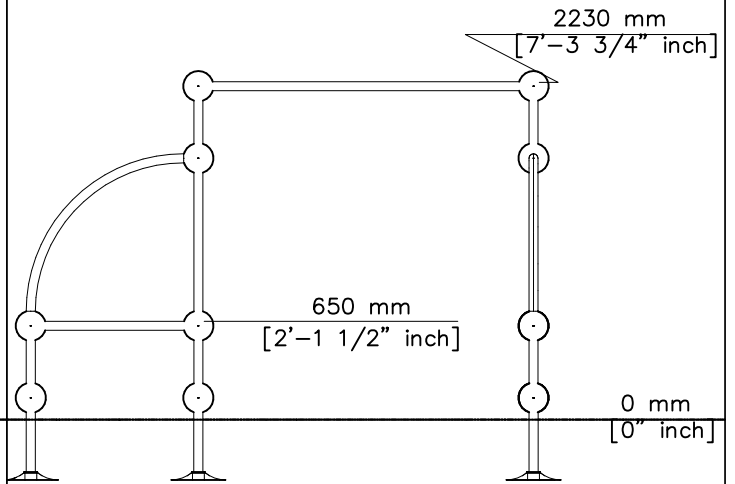
DATE: 20.2.2015

1:50

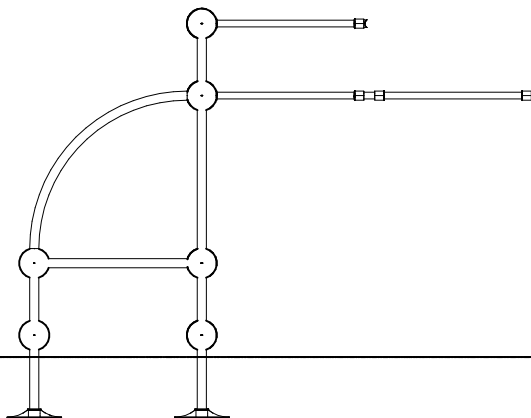
(A)



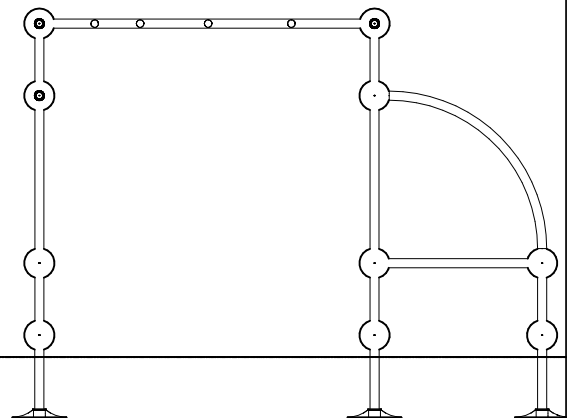
(B)

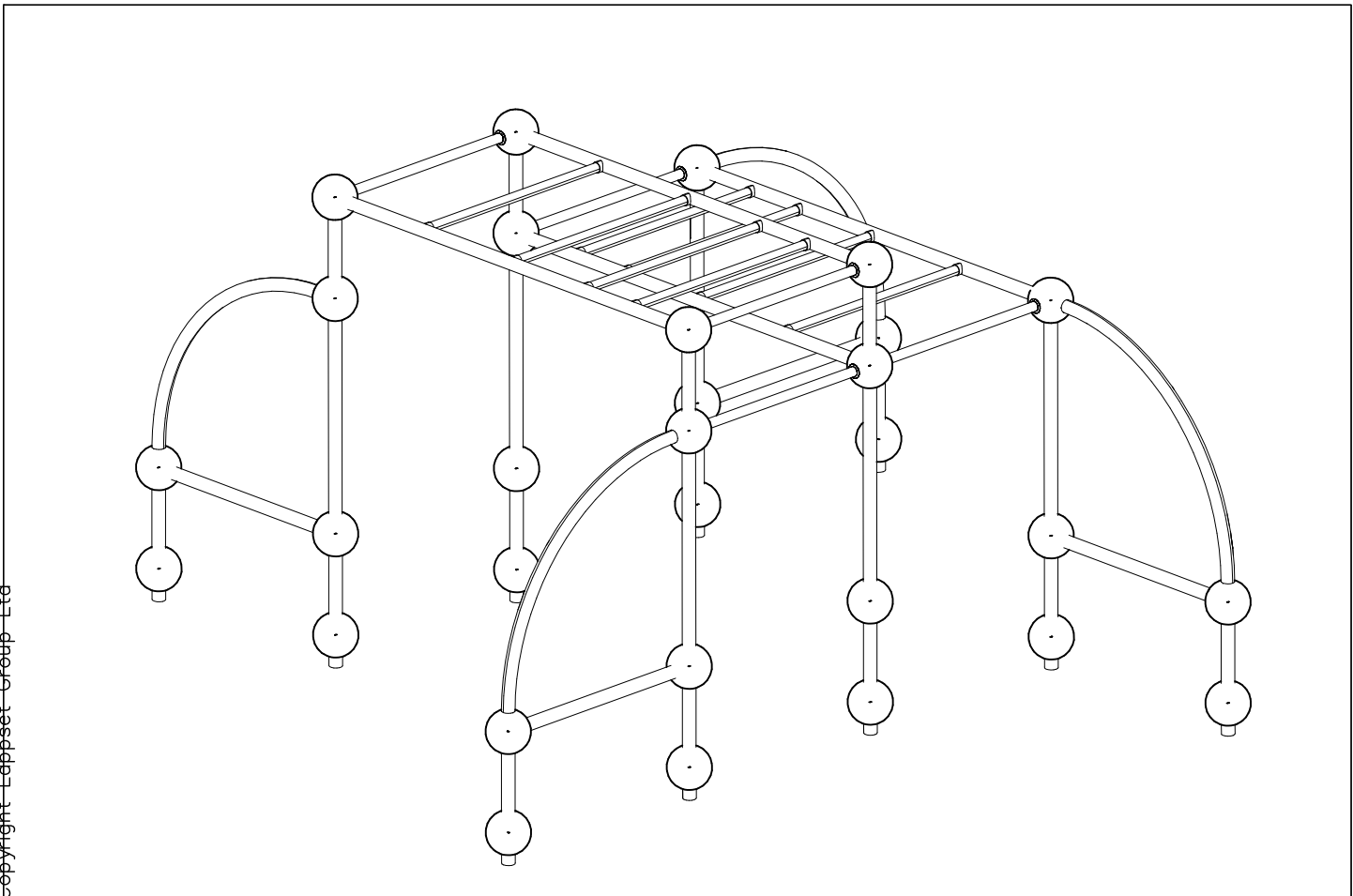
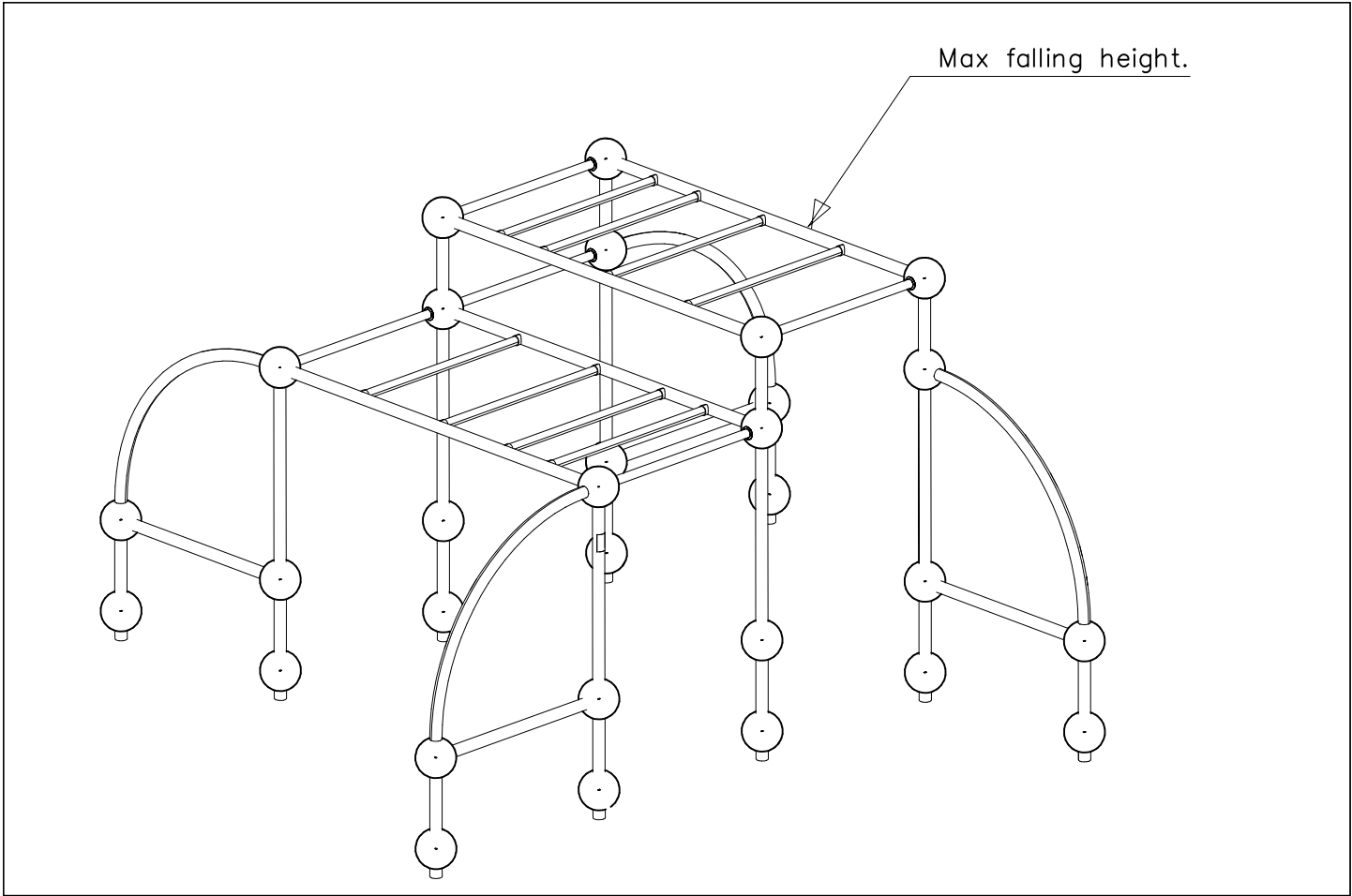


(C)



(D)





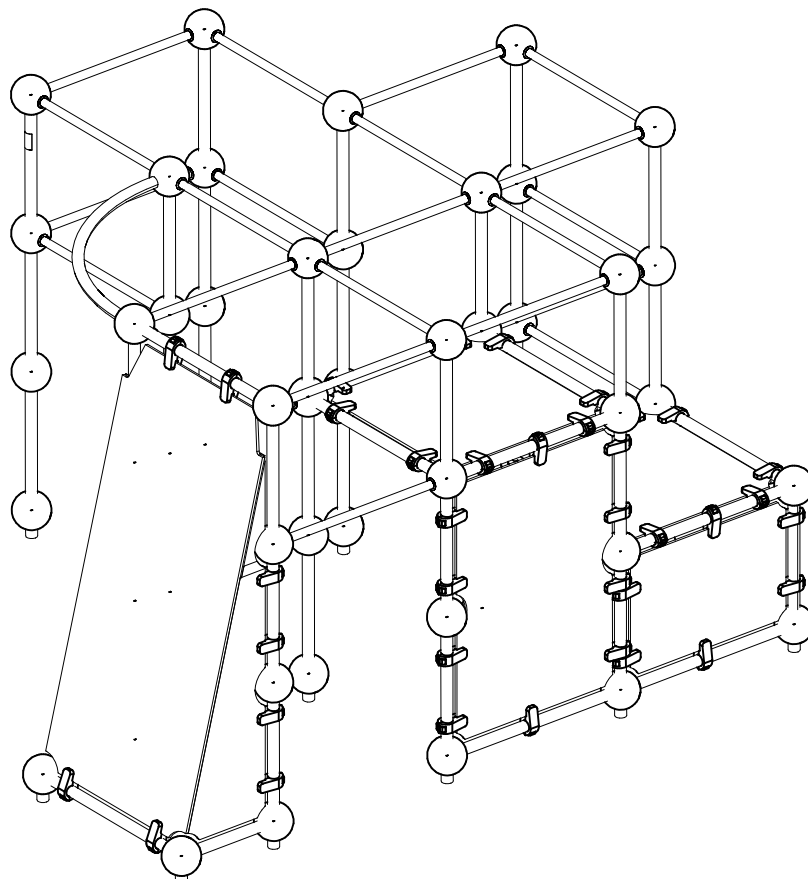
LAPPSET®

PARKOUR

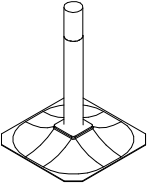


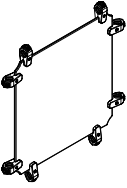

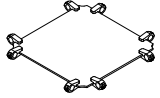

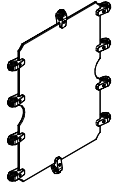

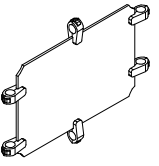



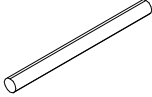
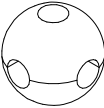

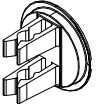

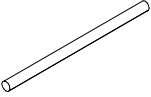
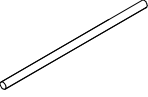

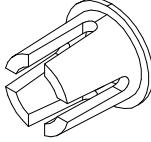
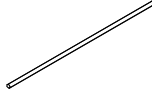
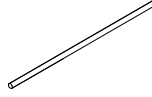
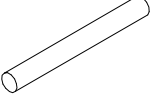
ASENNUSOHJE
MONTERINGSANSVISNING
INSTALLATION INSTRUCTION
AUFBAUANLEITUNG
NOTICE D'INSTALLATION

DATE: 23.2.2015

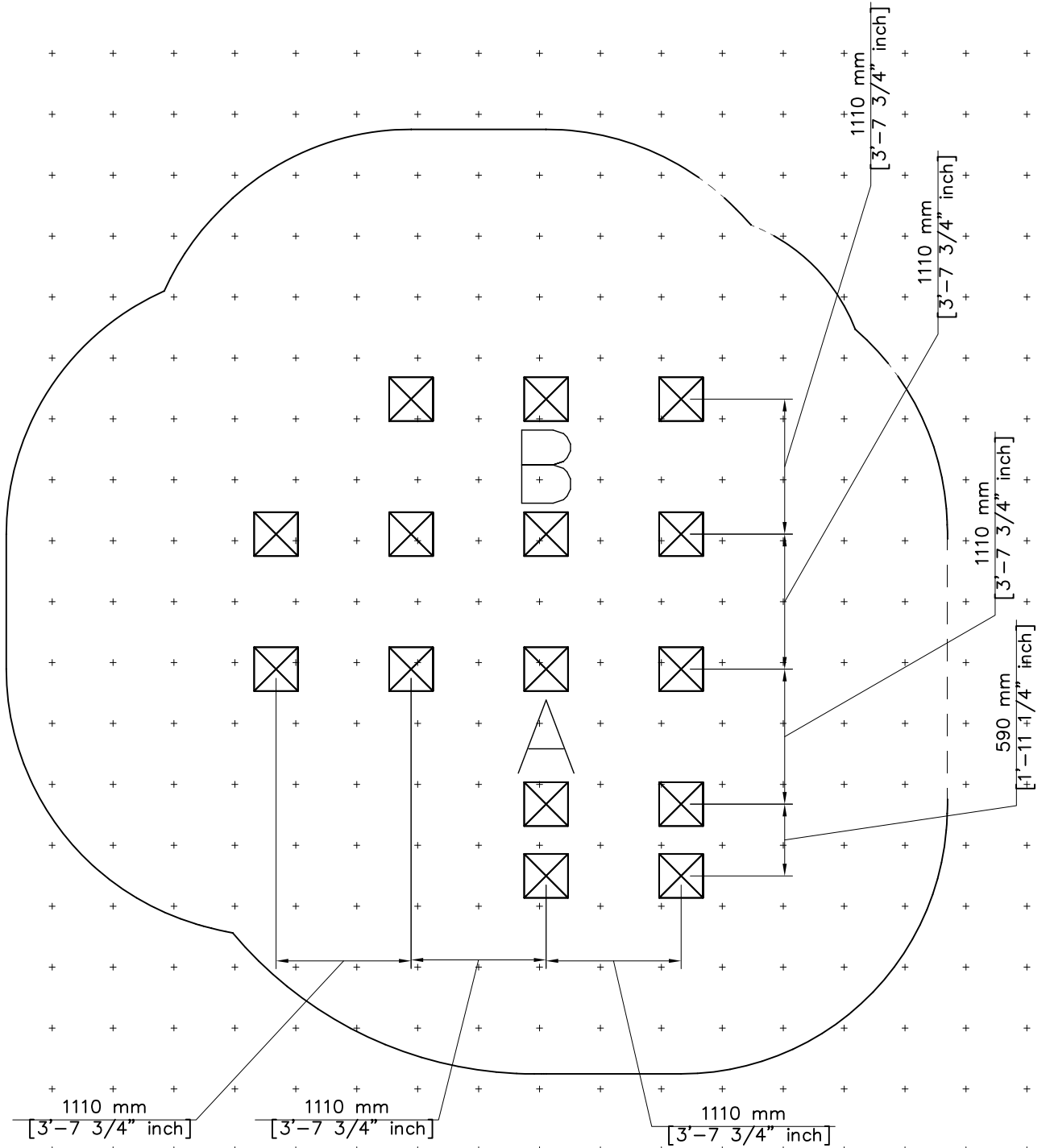
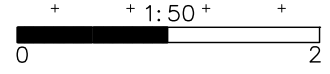
220524



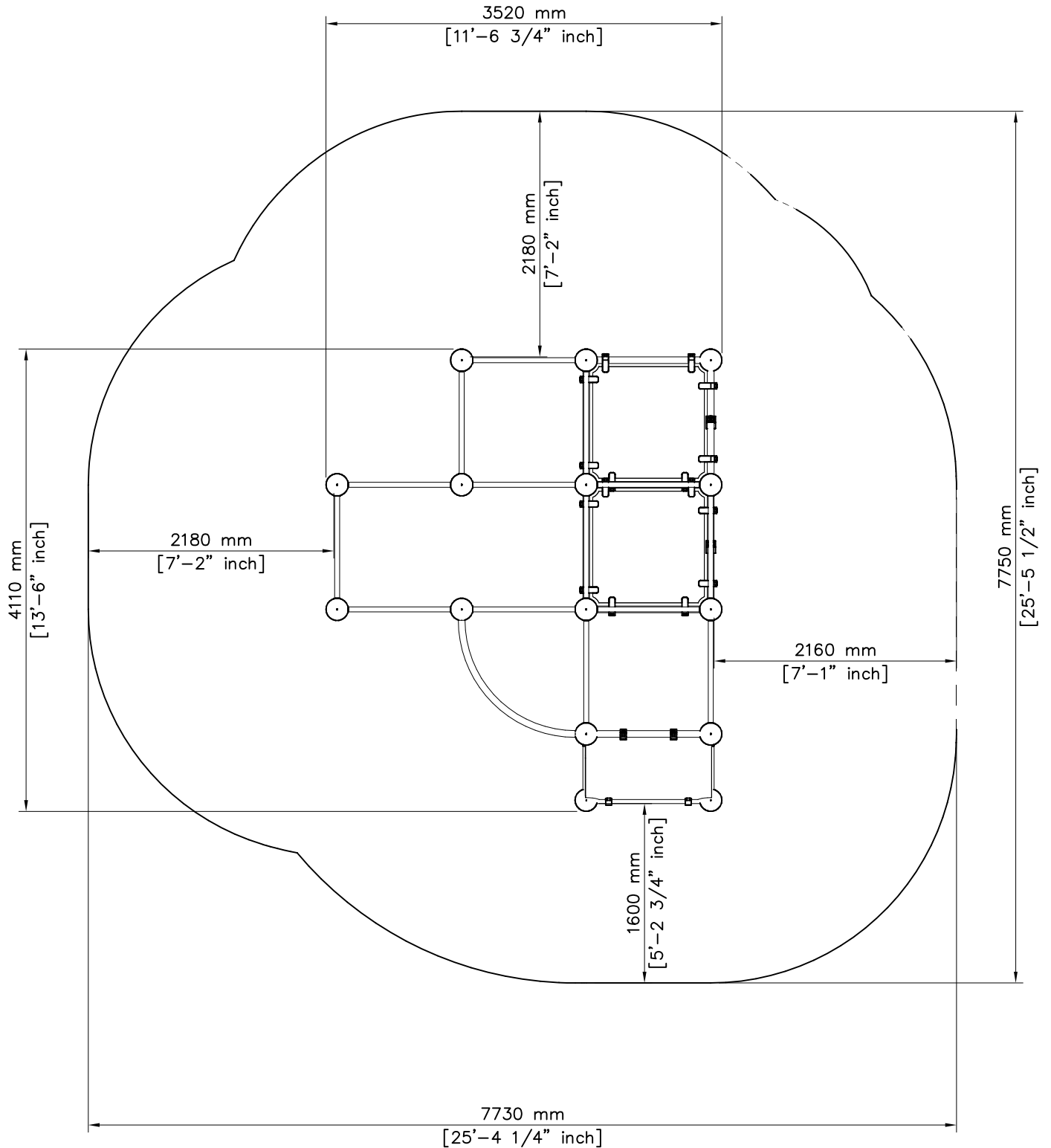
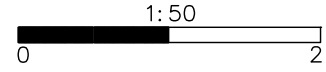
DATE: 23.2.2015

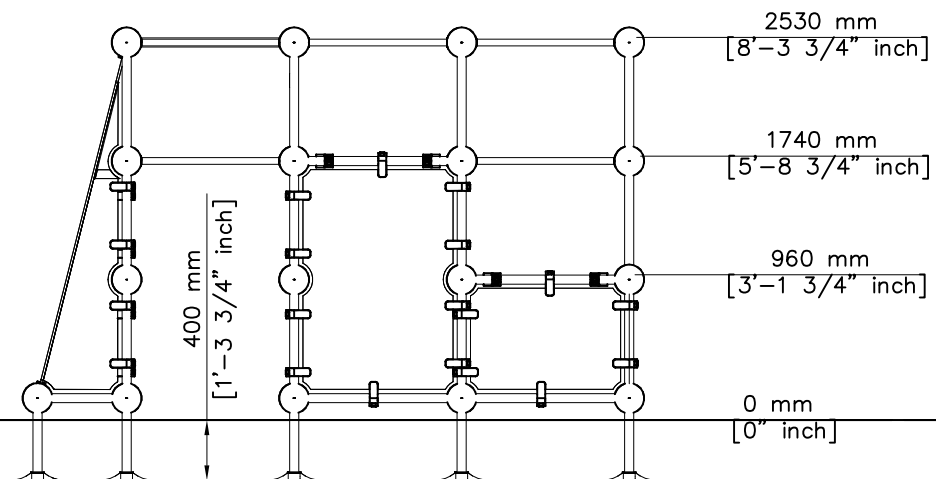
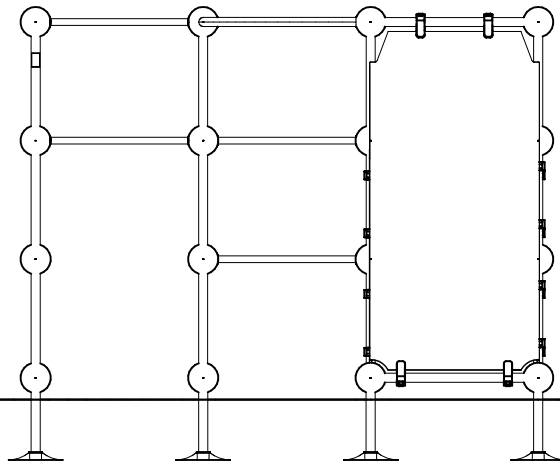
<p>701985</p>  <p>PCS 15</p> 	<p>702341</p>  <p>PCS 1</p> <p>90x50</p>	<p>703456</p>  <p>PCS 1</p> 	<p>703459</p>  <p>PCS 1</p> 	<p>703479</p>  <p>PCS 1</p> 	<p>703487</p>  <p>PCS 1</p> 
<p>703901</p>  <p>PCS 1</p> 	<p>902022</p>  <p>PCS 1</p> <p>L 710</p>	<p>902134</p>  <p>PCS 52</p> 	<p>904747</p>  <p>PCS 149</p> <p>60x60x2</p>	<p>902418</p>  <p>PCS 1</p>	<p>902424</p>  <p>PCS 10</p> <p>L 1034</p>
<p>904015</p>  <p>PCS 14</p> <p>Ø44.5x1034</p>	<p>904032</p>  <p>PCS 12</p> <p>L 2278</p>	<p>904100</p>  <p>PCS 44</p> <p>44.5-60.3</p>	<p>904102</p>  <p>PCS 4</p> <p>Ø44.5x2148</p>	<p>904389</p>  <p>PCS 1</p> <p>L 2148</p>	<p>904414</p>  <p>PCS 2</p> <p>L 515</p>
PCS	PCS	PCS	PCS	PCS	PCS
PCS	PCS	PCS	PCS	PCS	PCS
PCS	PCS	PCS	PCS	PCS	PCS
PCS	PCS	PCS	PCS	PCS	PCS

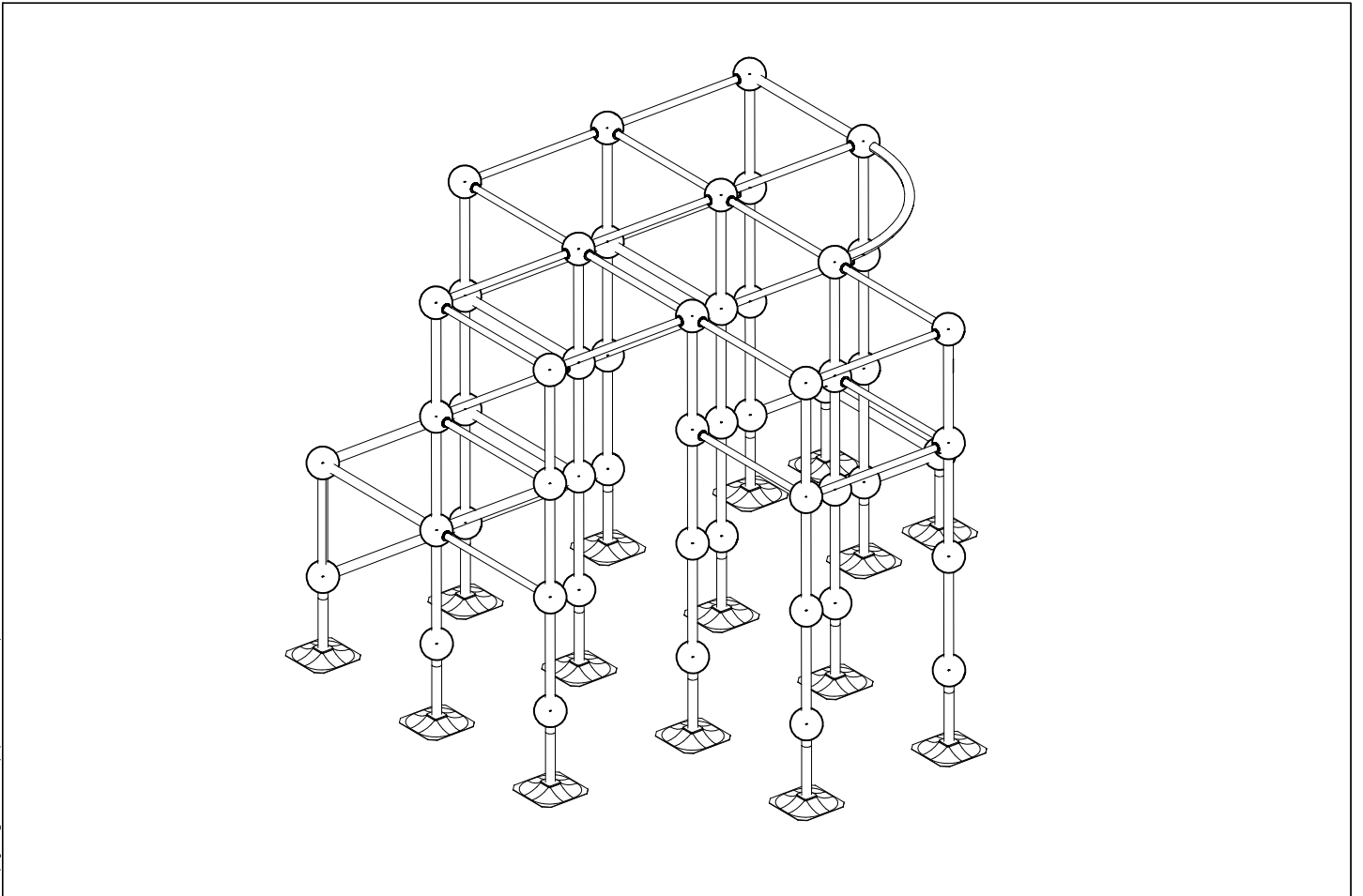
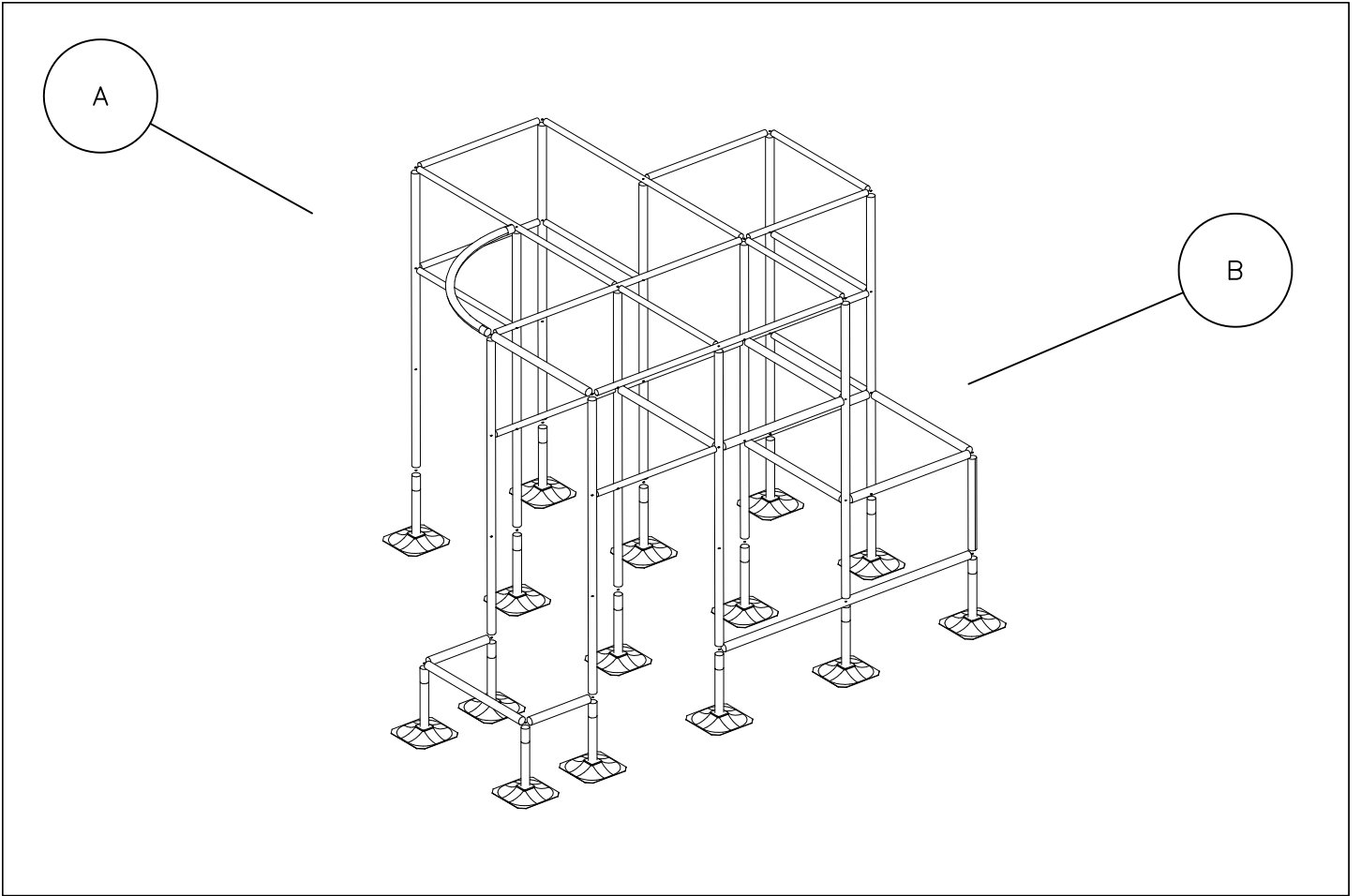
— EN/AS Impact Area 48.7 m² (524.2 sq ft)
 + Grid size = 500mm (19.7" in)
 - - - Falling Space 48.7 m² (8'-3 3/4" in)



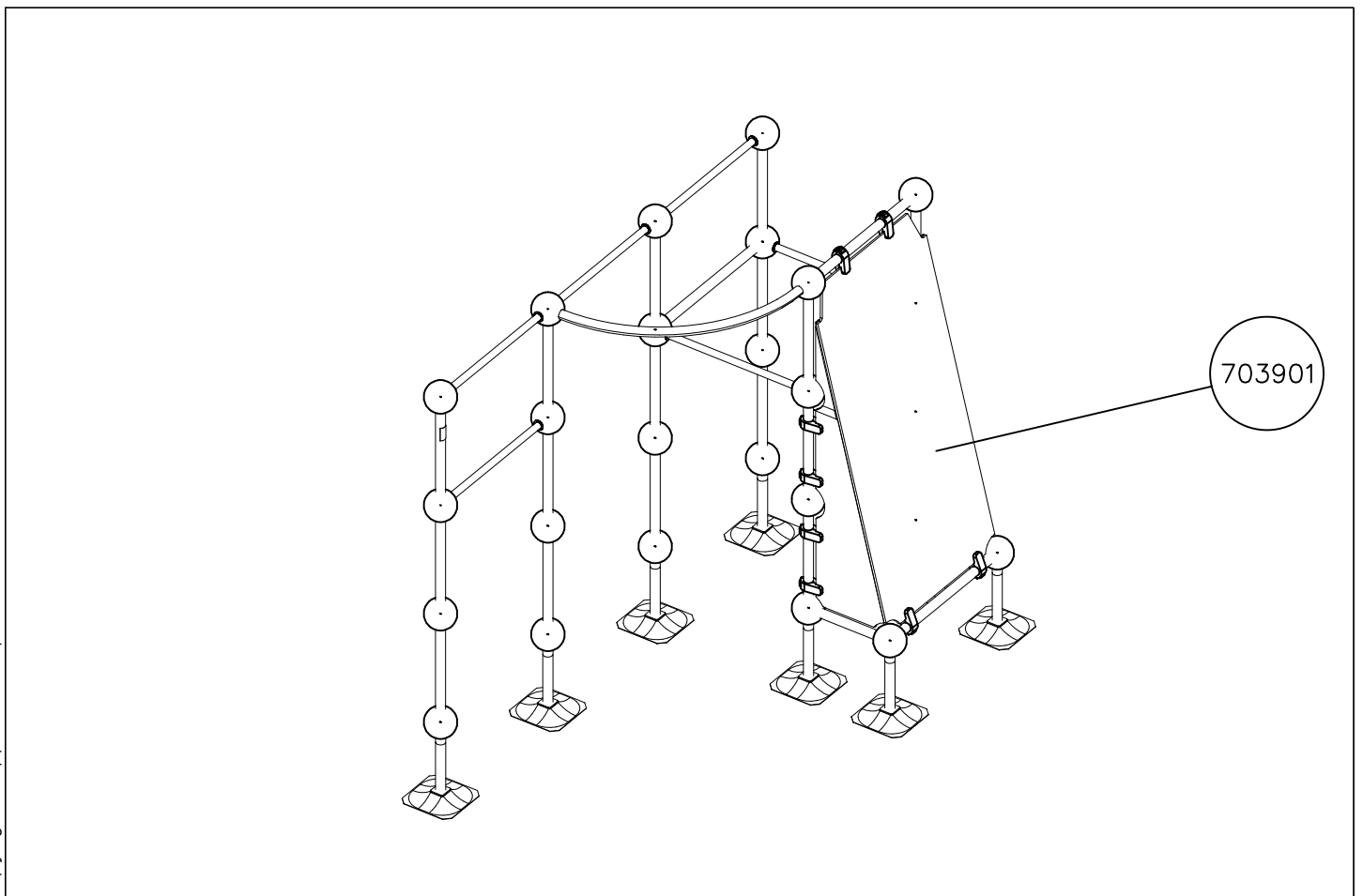
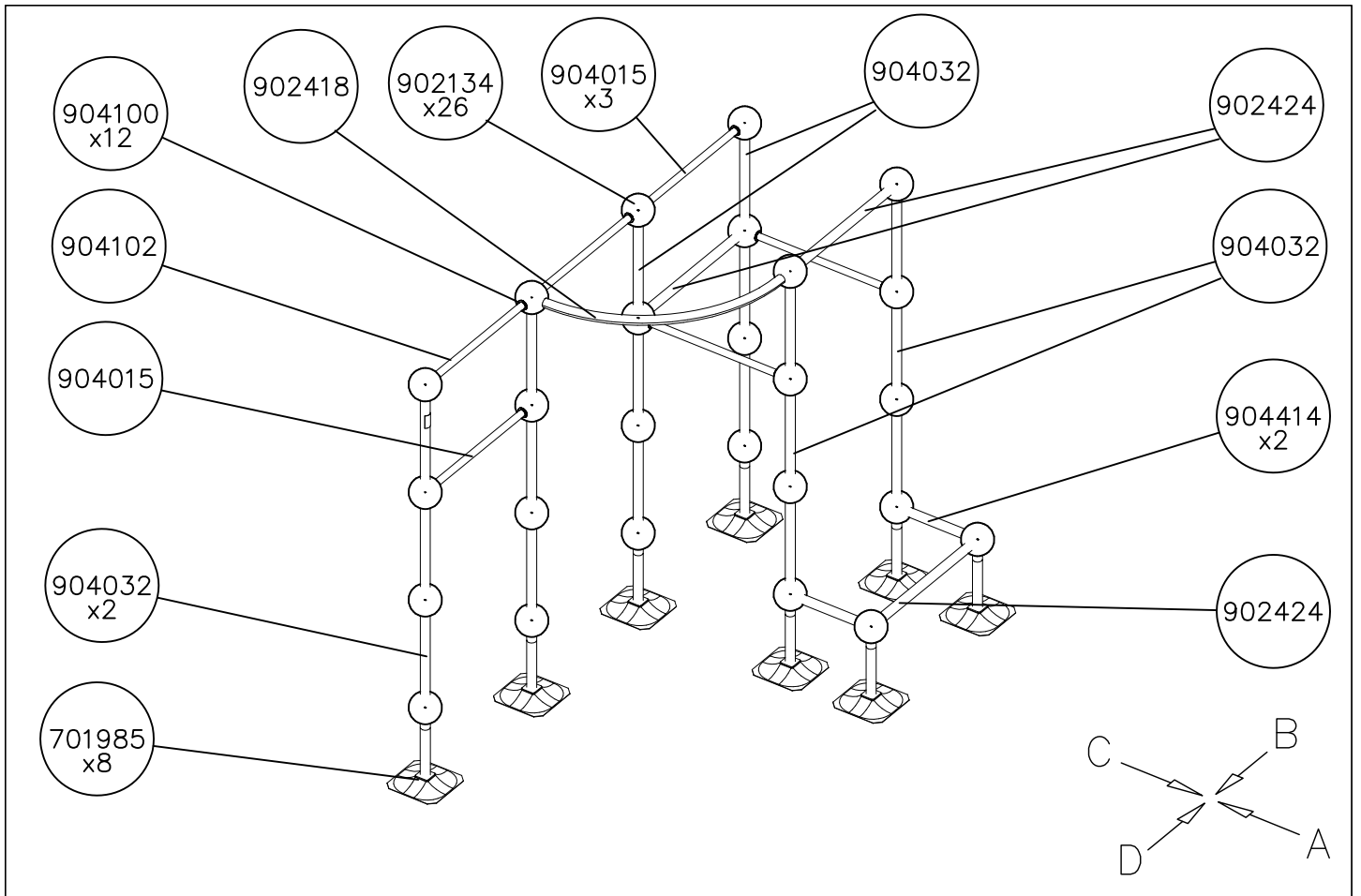
- EN/AS Impact Area 48.7 (524.2 sq ft)
- - - - Falling Space 48.7 m2
- Max Falling Height 2530 mm (8'-3 3/4" in)





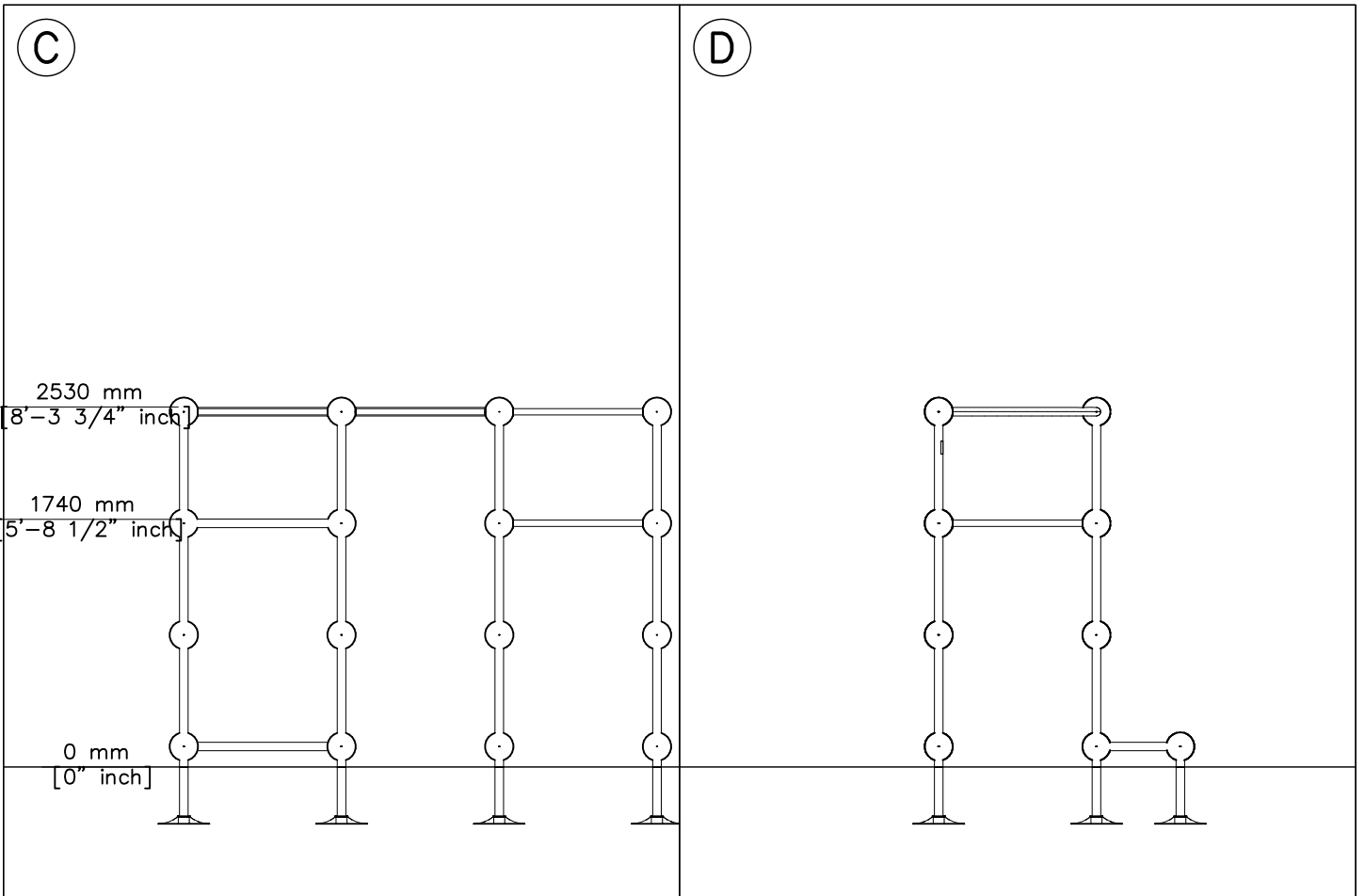
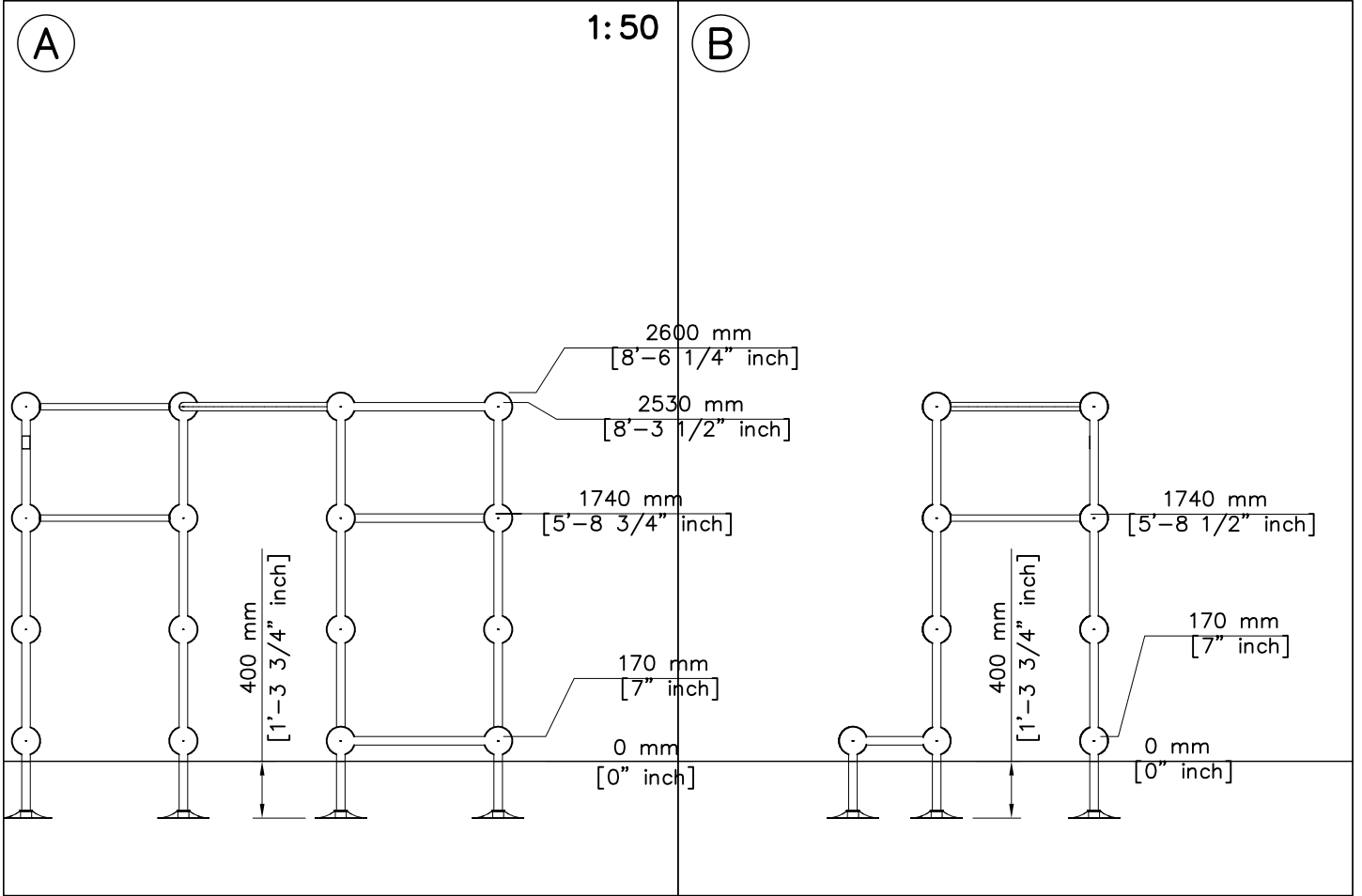


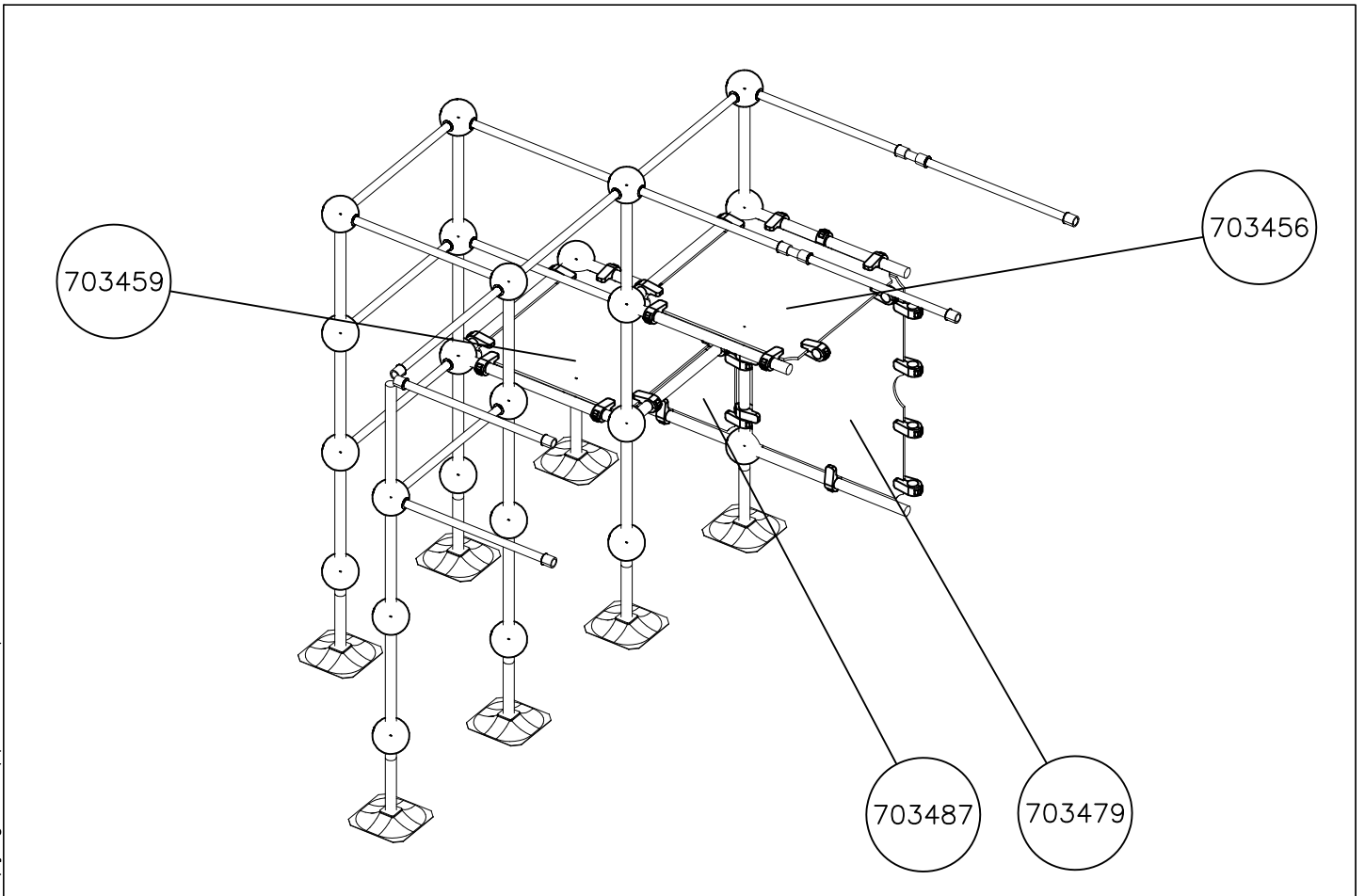
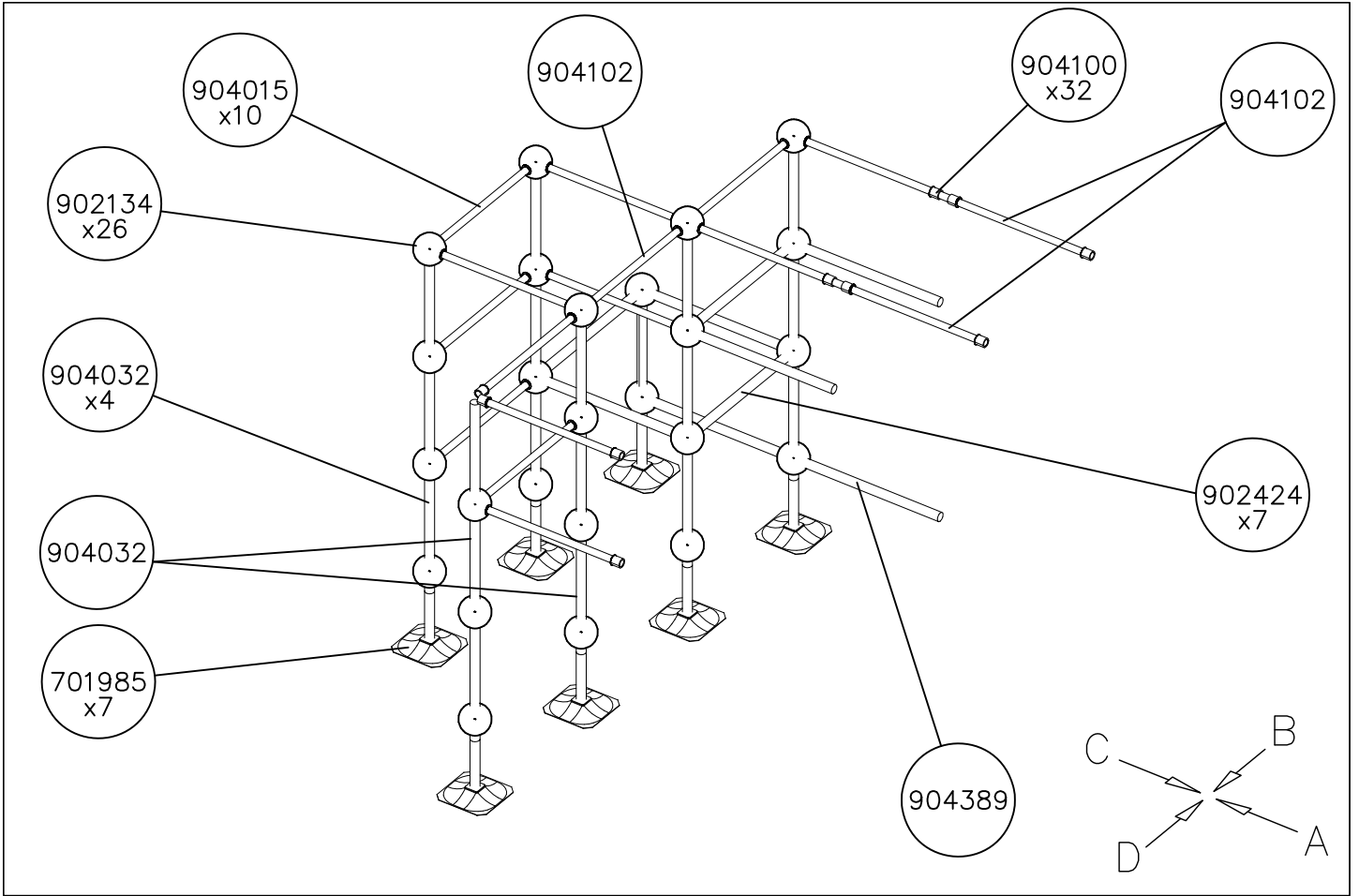
DATE: 23.2.2015



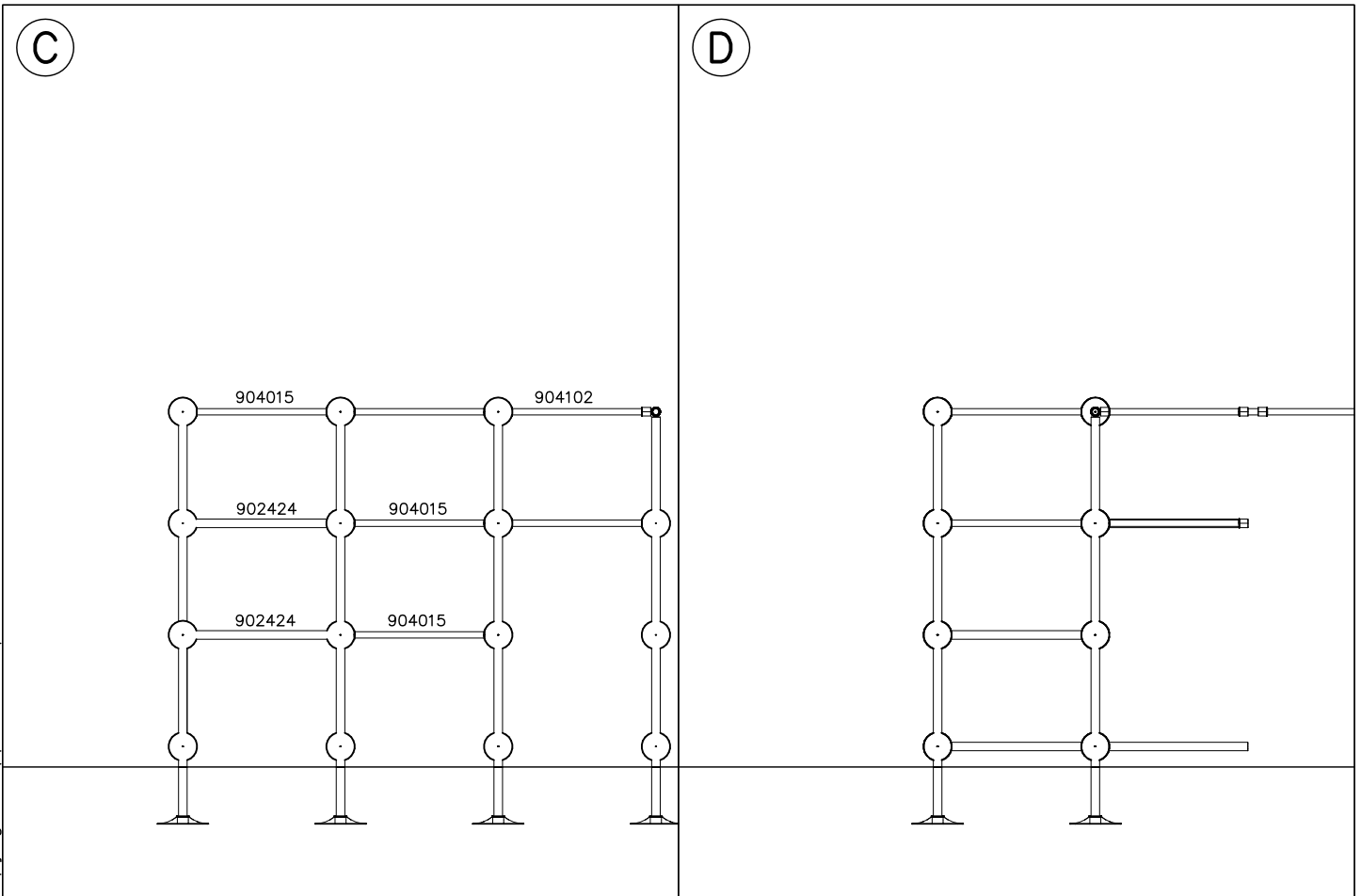
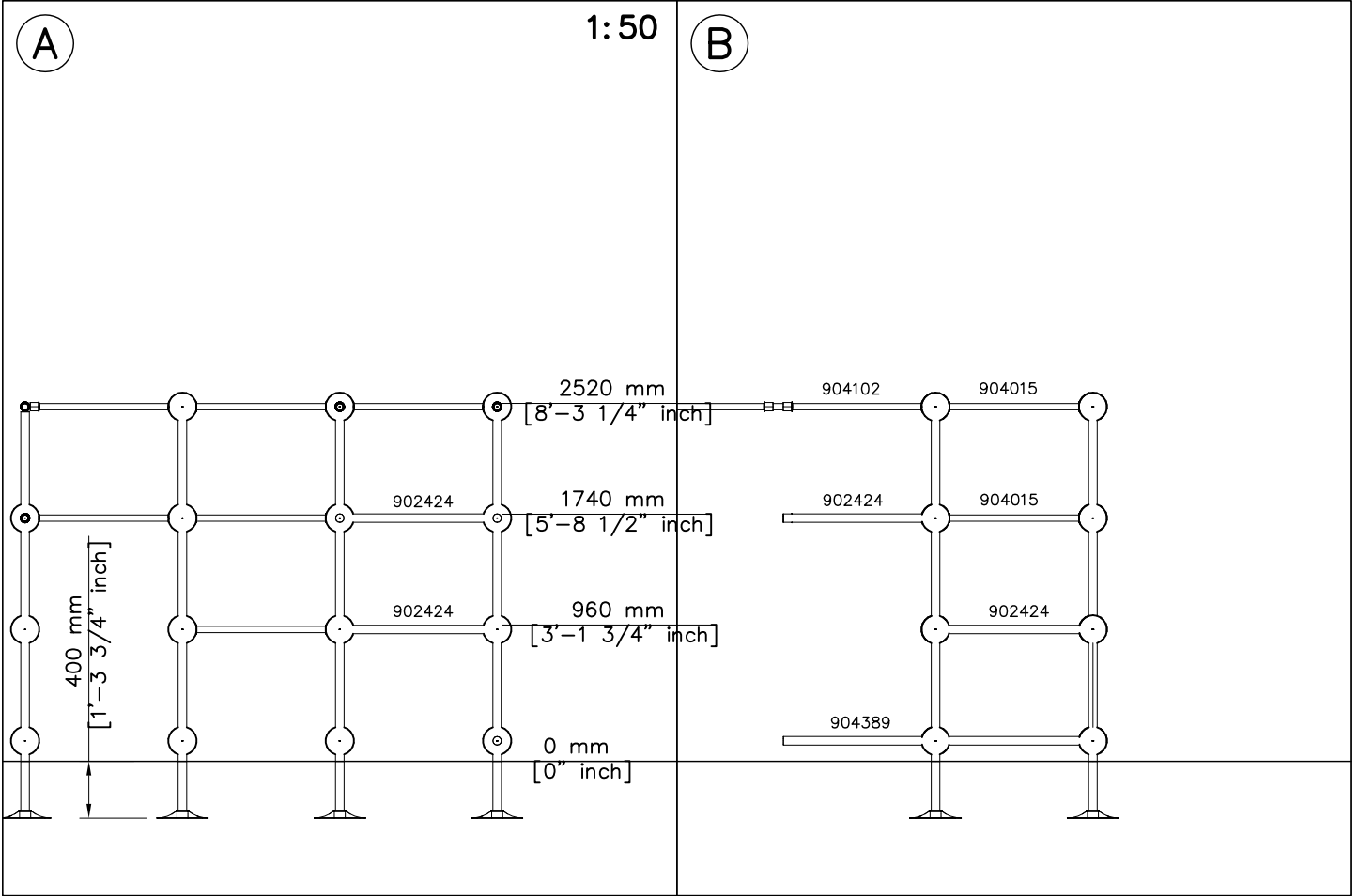
DATE: 23.2.2015

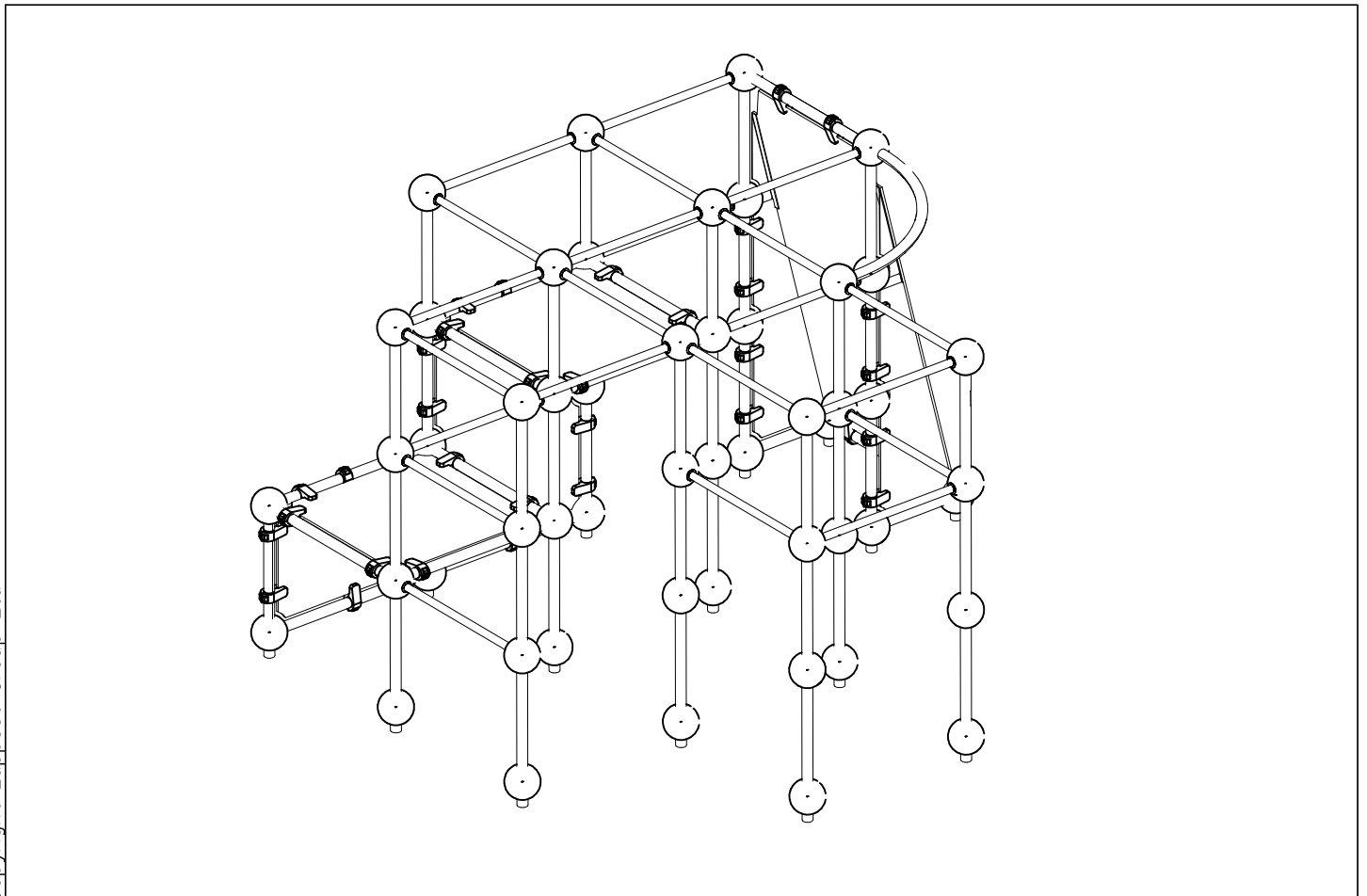
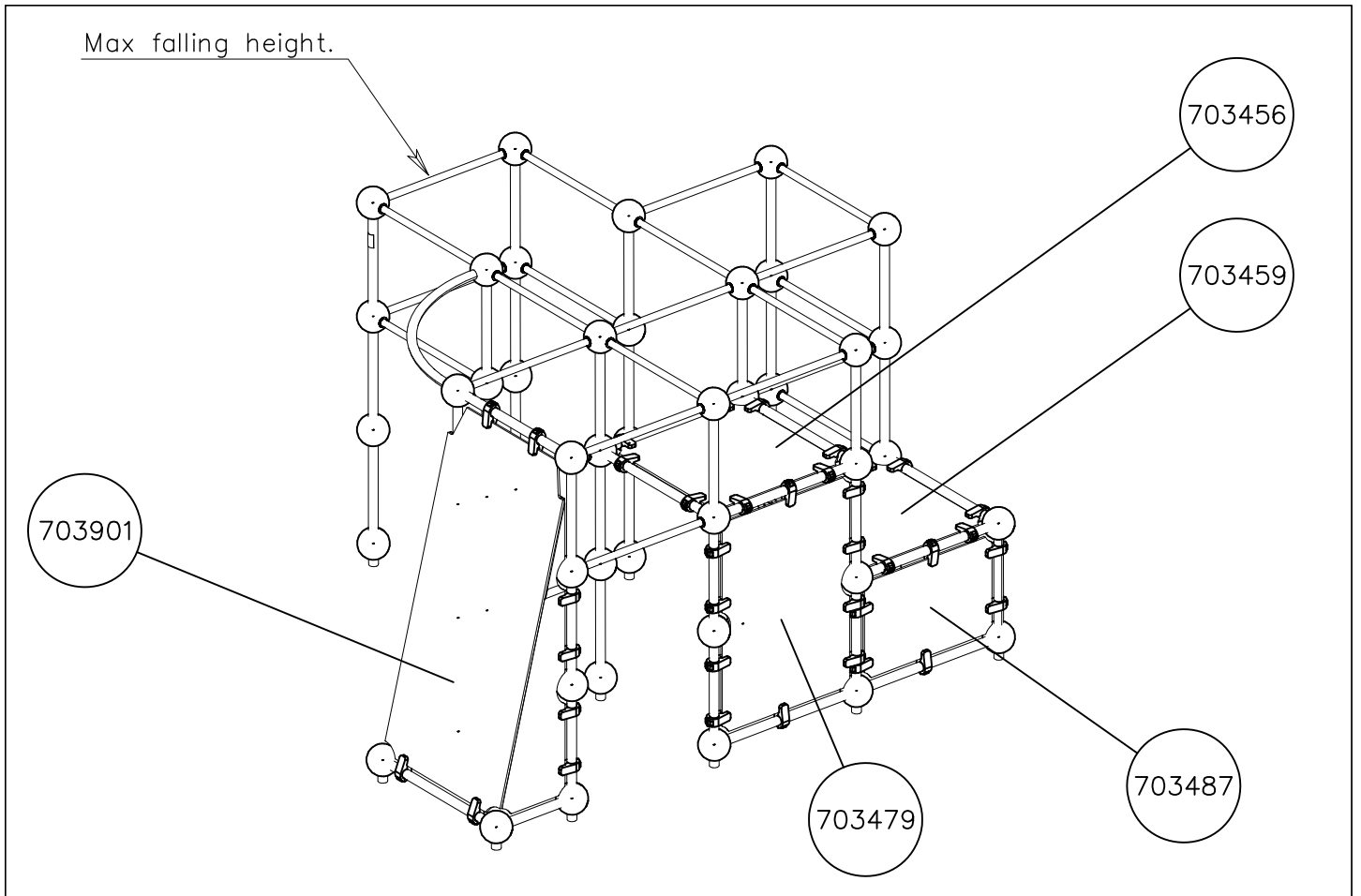
1:50

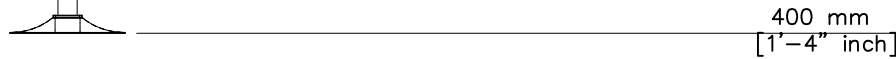
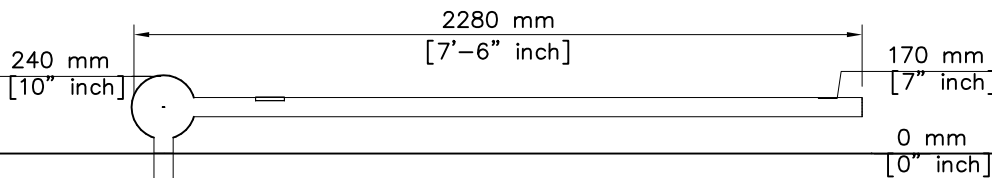
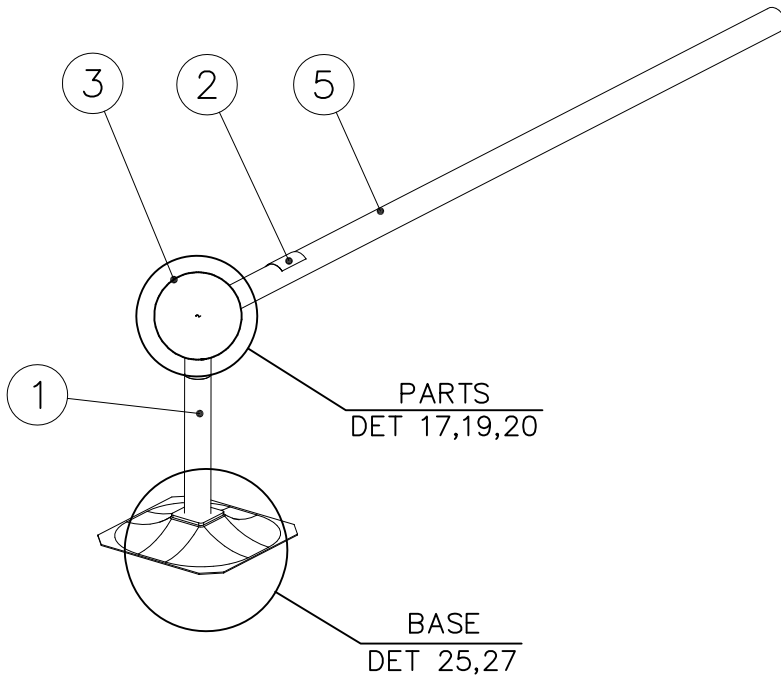




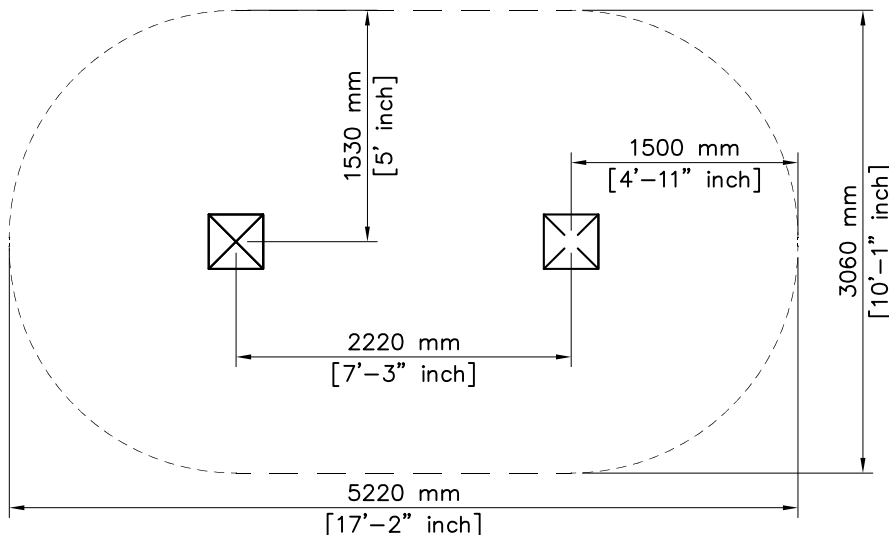
1:50

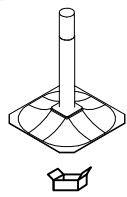

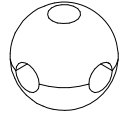

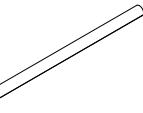


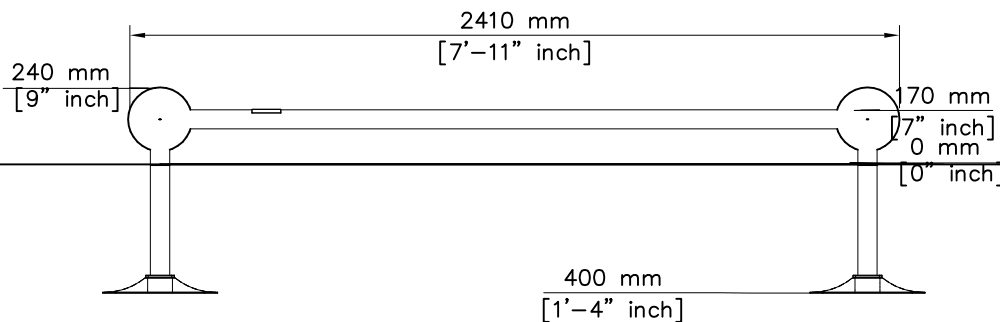
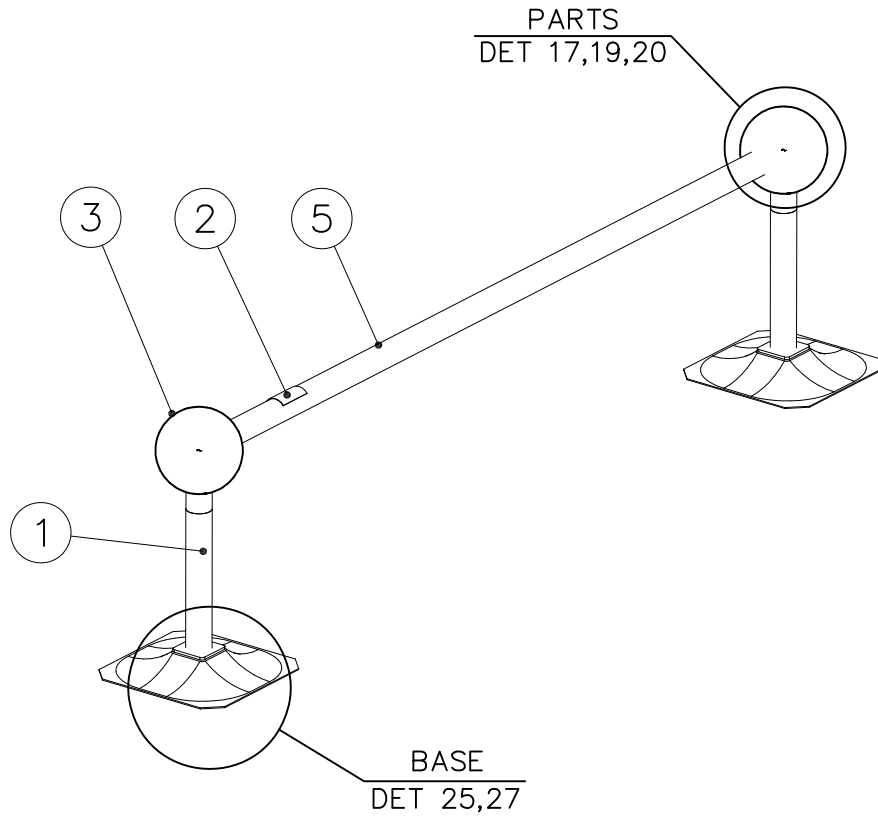




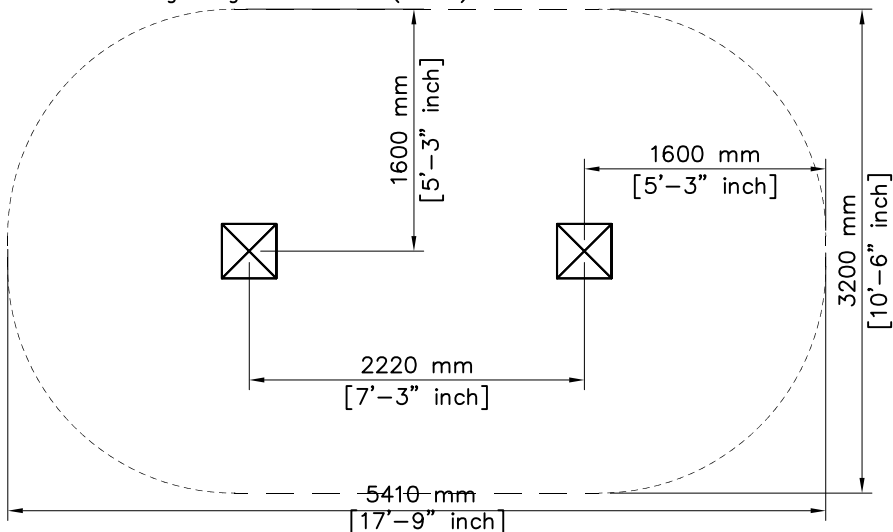
Falling Space 14 m² (151 sq ft)
Max Falling Height 240 mm (10" in)



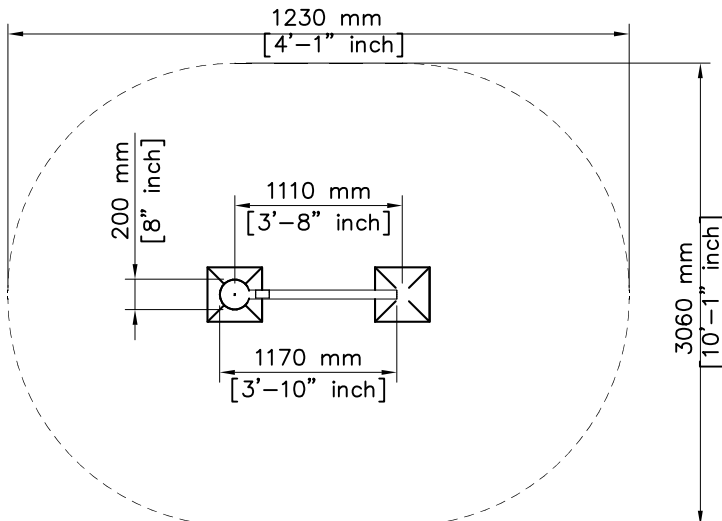
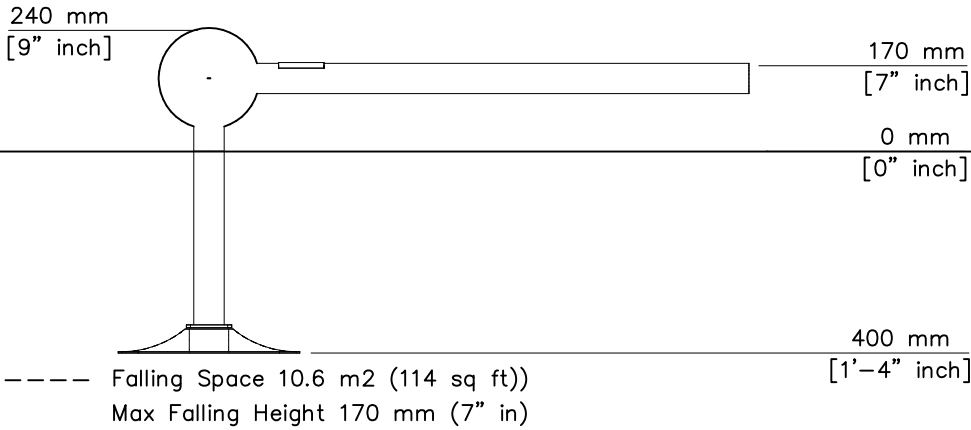
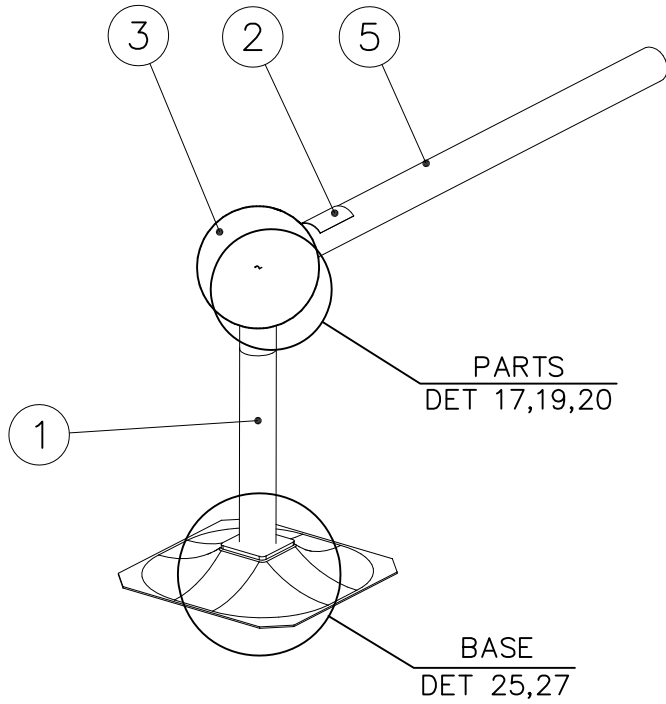
① 701985	PCS	② 702341	PCS
	1	 LAPPSET Group Ltd NEW PRODUCT FILE NO. 220537 Part No. 702341 Rev. 01 1 Jan 2015 Drawn Erich-Lorenz TH	1
		90x50	
③ 902134	PCS	④ 904747	PCS
	1		4
		60x60x2	
⑤ 904130	PCS		PCS
	1		
L 2148			
	PCS		PCS
	PCS		PCS
	PCS		PCS
	PCS		PCS
	PCS		PCS

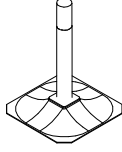
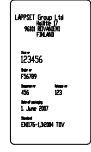
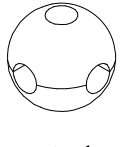
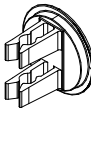
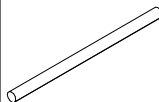


Falling Space 15.3 m² (165 sq ft)
Max Falling Height 240 mm (9" in)



①	701985	PCS	②	702341	PCS
		2			1
			90x50		
③	902134	PCS	④	904747	PCS
		2			8
			60x60x2		
⑤	904130	PCS			PCS
		1			
L 2148					
		PCS			PCS
		PCS			PCS
		PCS			PCS
		PCS			PCS



① 701985	PCS	② 702341	PCS
	1		1
		90x50	
③ 902134	PCS	④ 904747	PCS
	1		4
		60x60x2	
⑤ 902424	PCS		PCS
	1		
L 1034			
	PCS		PCS
	PCS		PCS
	PCS		PCS
	PCS		PCS

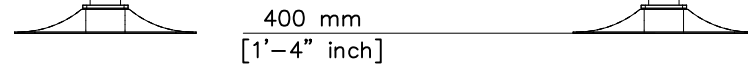
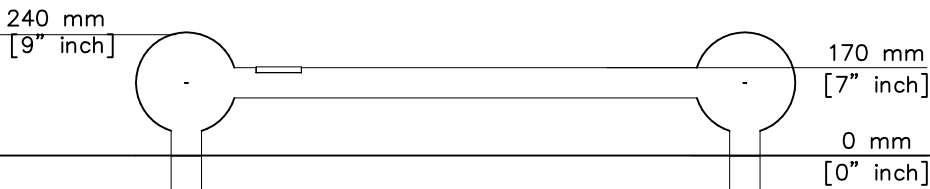
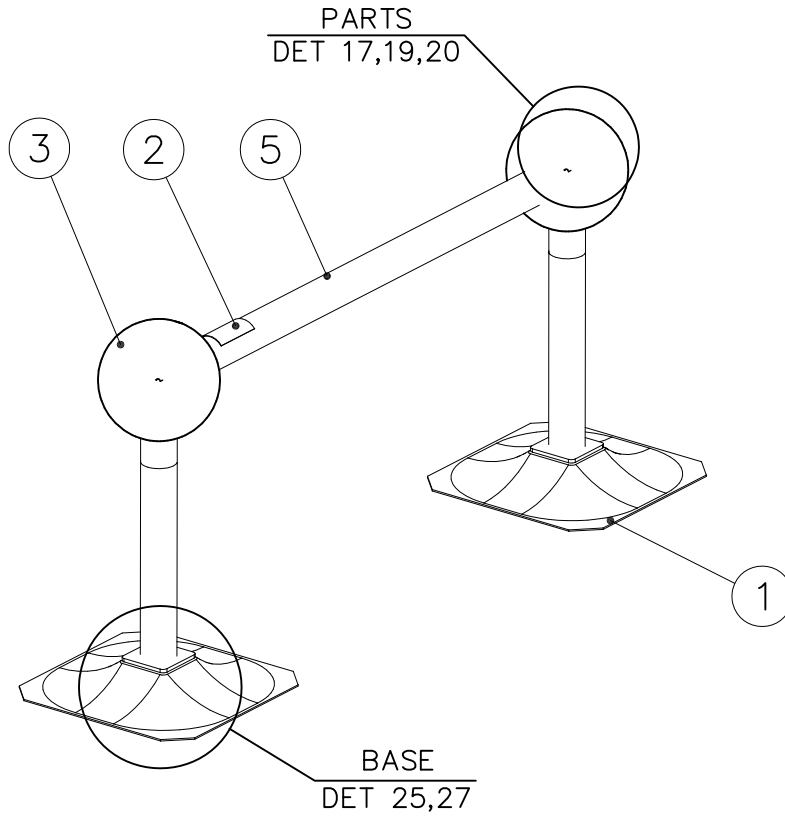
LAPPSET®

PARKOUR

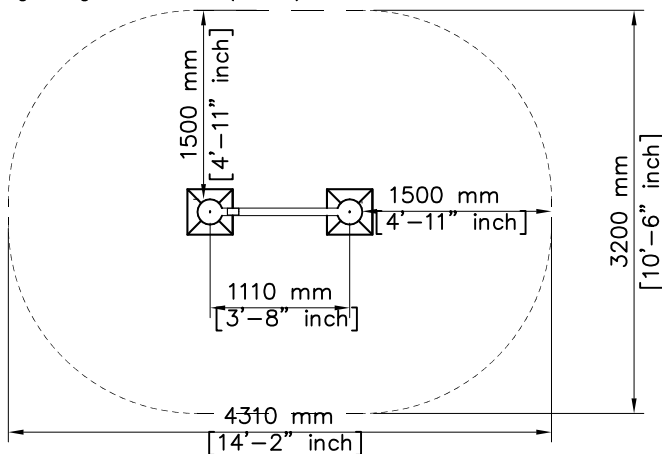
220540

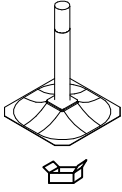

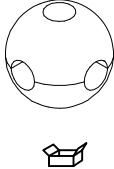

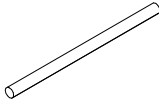
DATE: 7.1.2016

1(1)



Falling Space 11.9 m² (128.4 sq ft)
Max Falling Height 170mm (7" in)



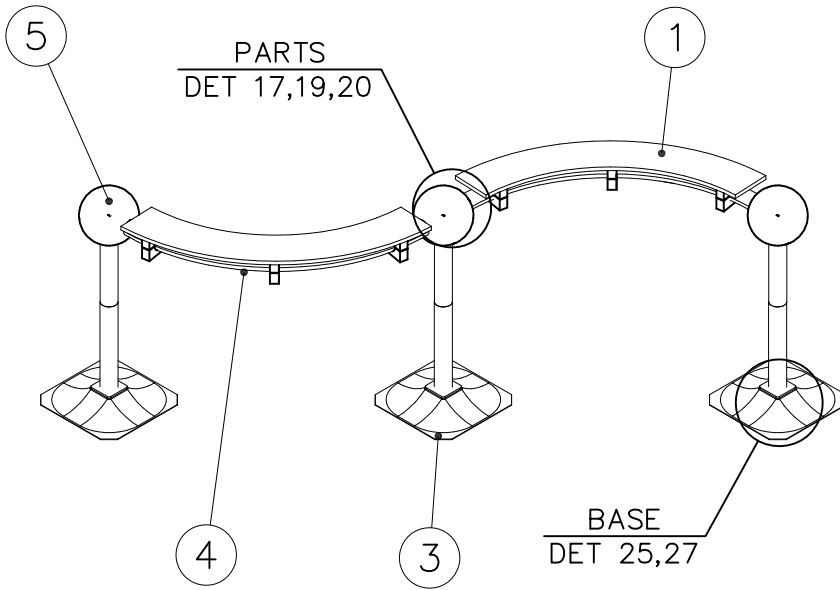
① 701985	PCS	② 702341	PCS
	2		1
		90x50	
③ 902134	PCS	④ 904747	PCS
	2		8
		60x60x2	
⑤ 902424	PCS		PCS
	1		
L 1034			
	PCS		PCS
	PCS		PCS
	PCS		PCS
	PCS		PCS
	PCS		PCS

LAPPSET® PARKOUR

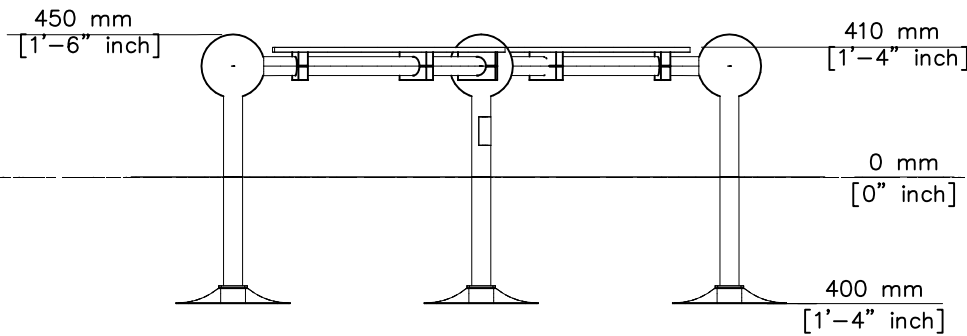
220542

DATE: 24.2.2015

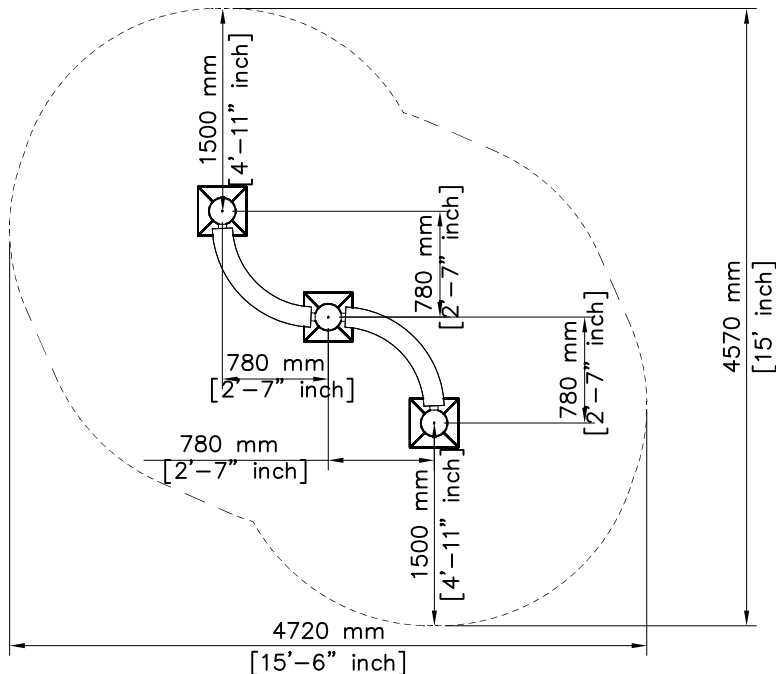
1(1)

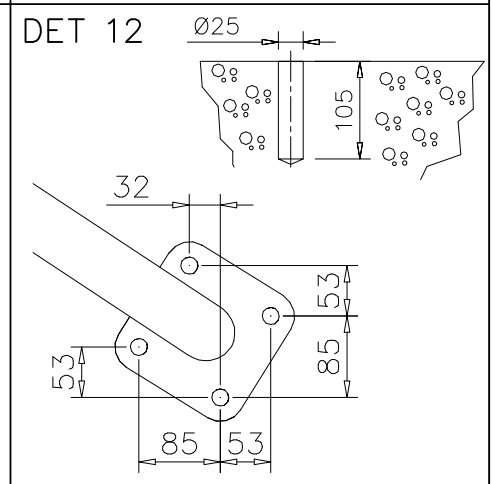
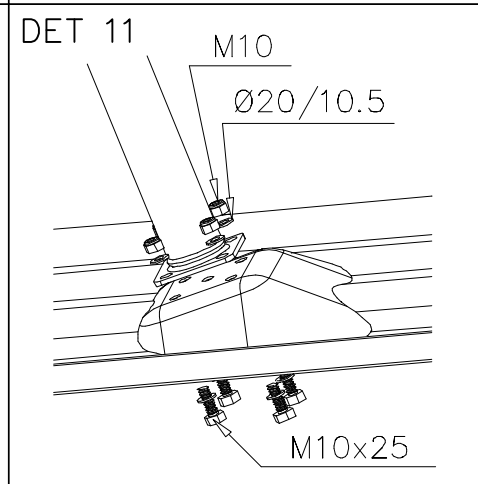
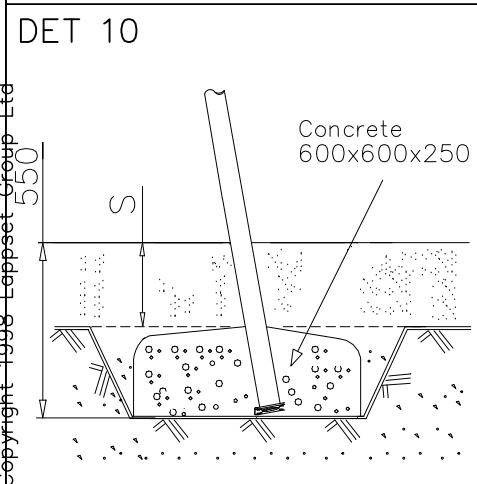
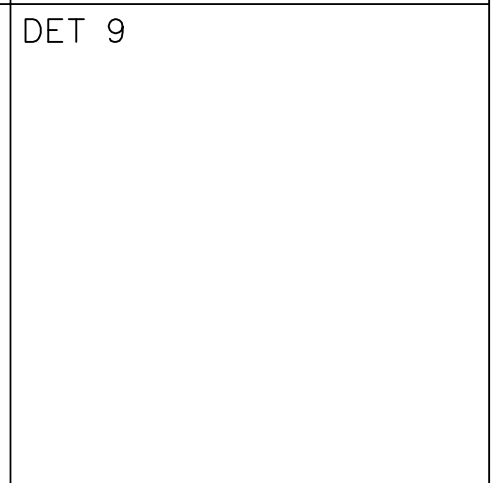
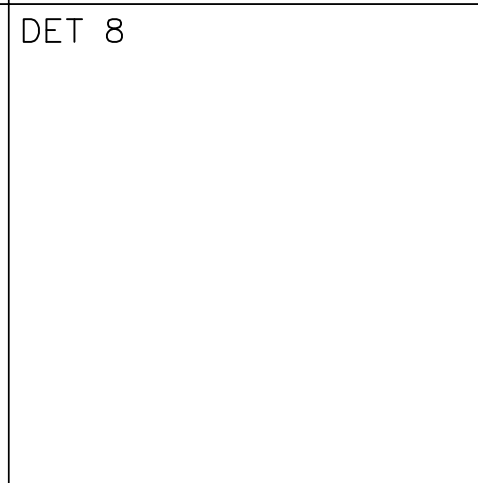
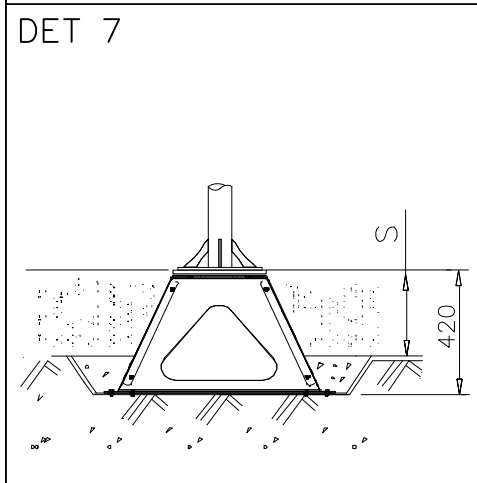
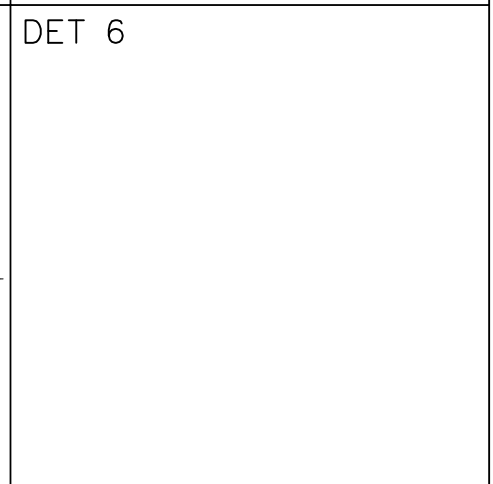
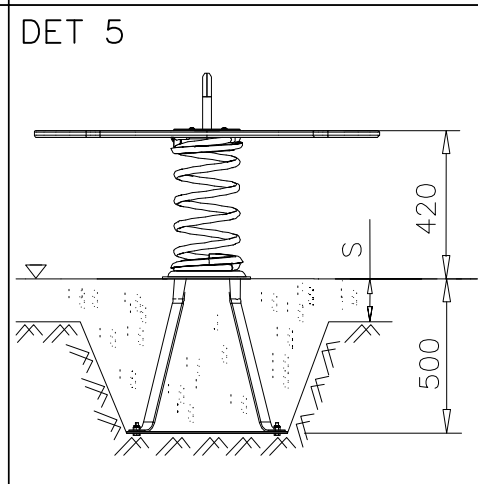
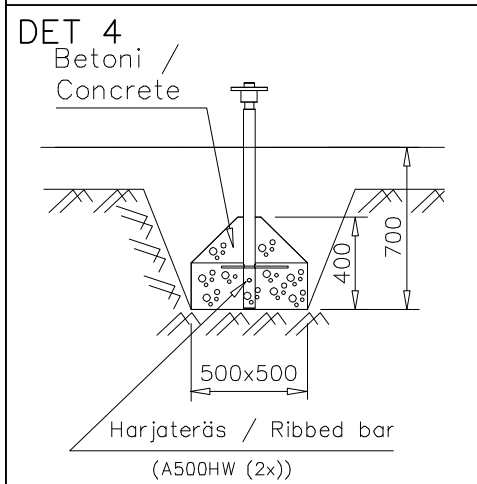
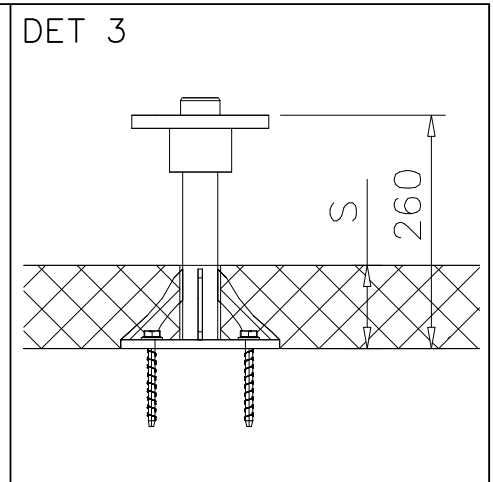
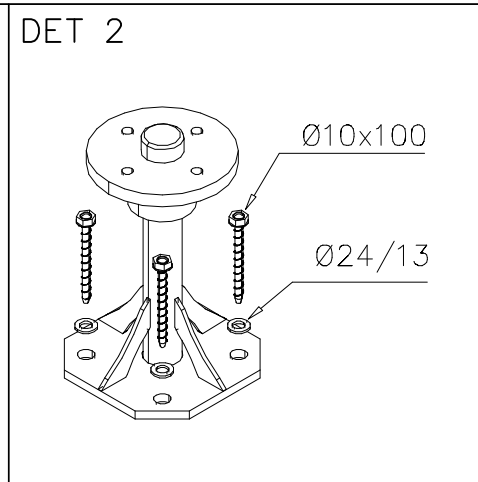
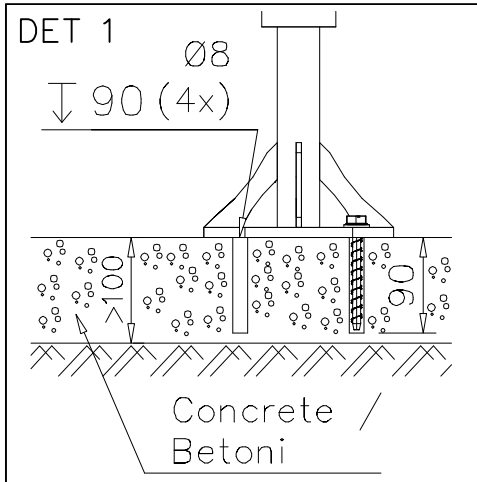


① 702252	PCS	② 702341	PCS
	2		1
		90x50	
③ 703460	PCS	④ 901941	PCS
	3		2
⑤ 902134	PCS	⑥ 904747	PCS
	3		11
		60x60x2	
	PCS		PCS
	PCS		PCS
	PCS		PCS
	PCS		PCS

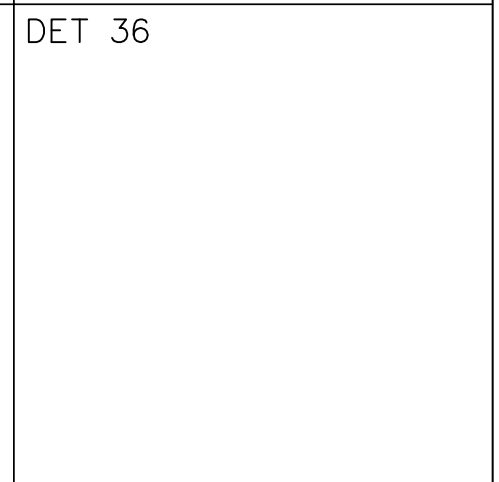
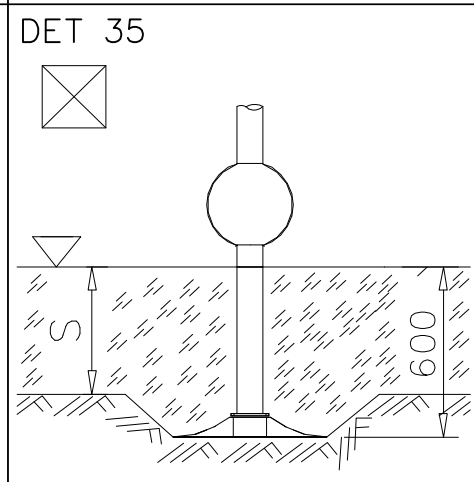
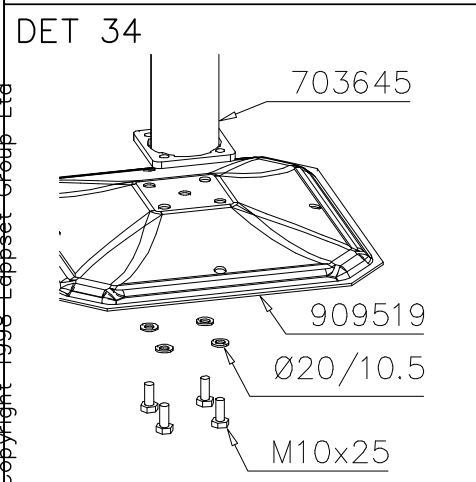
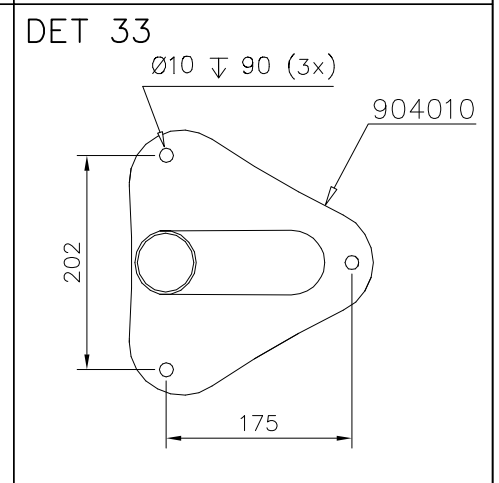
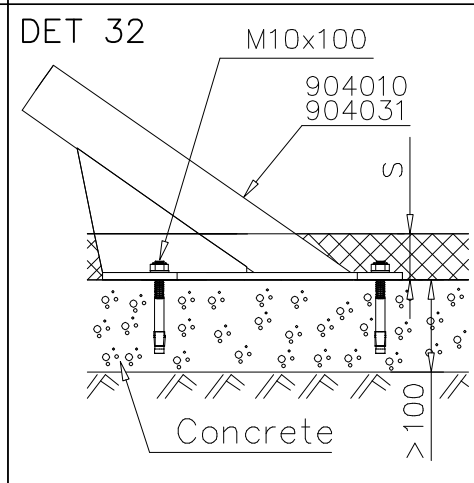
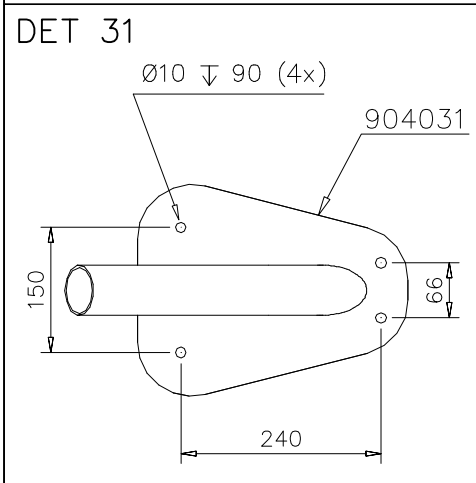
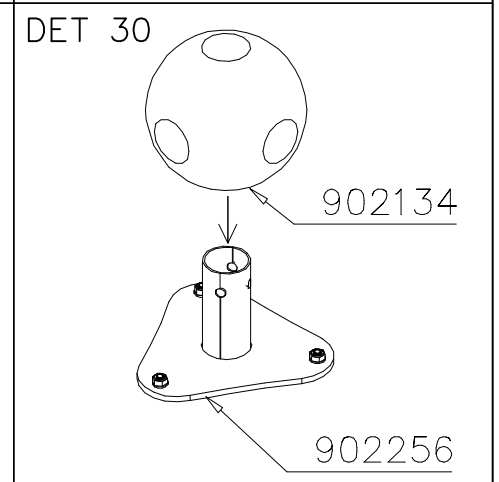
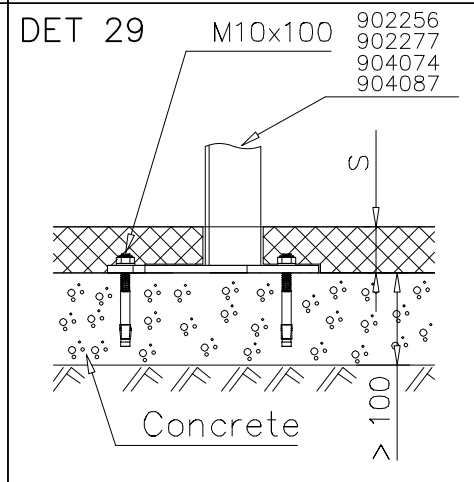
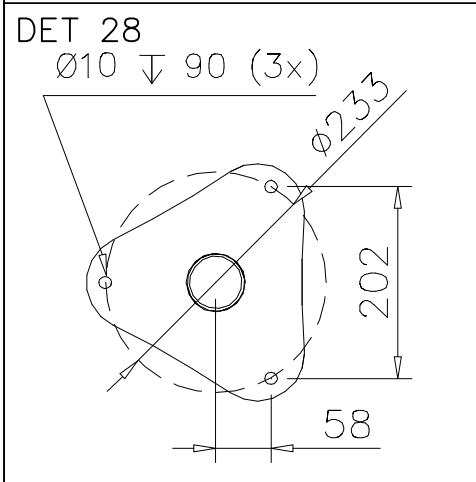
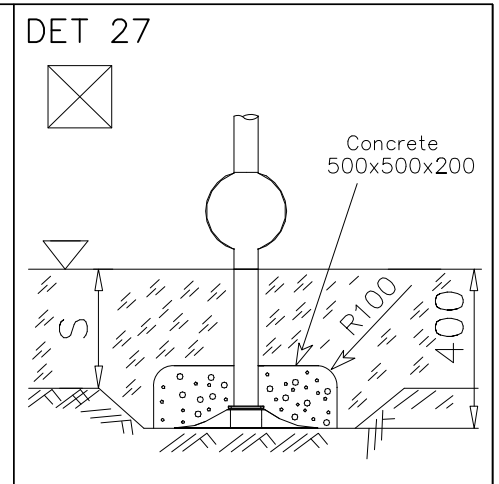
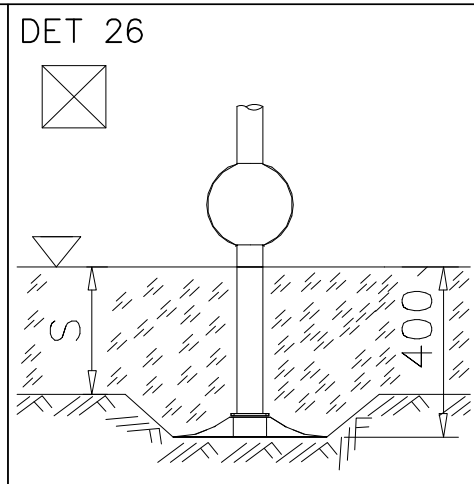
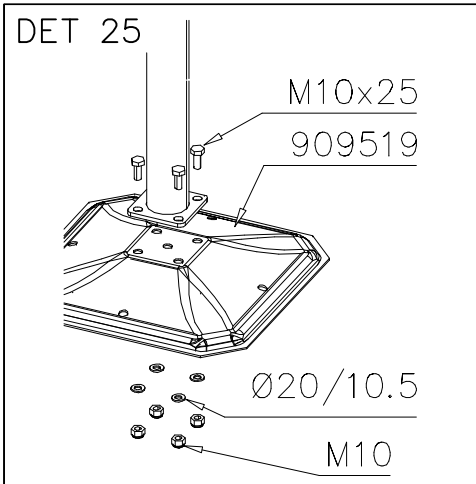


--- Falling Space 14.9 m² (161.4 sq ft)
Max Falling Height 410 mm (1'-4" in)





<p>DET 13</p> <p>140 Nm</p> <p>M16x110 Ø30/17x3</p>	<p>DET 14</p>	<p>DET 15</p>
<p>DET 16</p> <p>M12x60 Ø24/13 M12</p>	<p>DET 17</p> <p>M12x35 Ø24/13 M12</p>	<p>DET 18</p> <p>Concrete 500x500x200</p> <p>600</p> <p>Harjateräs / Ribbed bar (A500HW (2x))</p>
<p>DET 19</p> <p>ATT! Drilling can be done via hole in rotating flange.</p> <p>Ø8 80 (4x)</p> <p>Concrete / Betoni</p> <p>>100</p>	<p>DET 20</p> <p>Ø10x100 Ø24/13</p>	<p>DET 21</p> <p>110</p> <p>S</p>
<p>DET 22</p> <p>M8 Ø16/8.4 M8x40</p>	<p>DET 23</p> <p>Ø10 90 (4x)</p> <p>>100</p> <p>S</p> <p>Betoni / Concrete Safety surface</p>	<p>DET 24</p> <p>M10 M10x100</p>



												
<p>$h < 600$</p> <p>Without movement and therefore without Impact Area</p>	<p>Totally hard surfaces.</p> <p>Note. Lappset does <u>not recommend</u> totally hard surfaces at all.</p>	<p>E.g. concrete or asphalt</p> 										
<p>$h < 600$</p> <p>With movement e.g. rocking</p>	<p>Materials with very limited impact attenuating properties.</p>	<p>E.g. wood</p> 										
<p>$h < 1000$</p>	<p>Materials with significant impact attenuating properties.</p>	<p>fine gravel 0–8 mm</p>  <p>grass</p>  <p>unsorted sand</p> 										
<p>$h < 3000$</p>	<p>Loose fill material</p> <p>E.g. sand/gravel 0,25...8 mm D60/D10<3,0 Woodchips 5...30 mm bark 20...80 mm</p>	 <table data-bbox="1021 1691 1332 1792"> <tr> <td>\underline{S}</td> <td>\underline{h}</td> </tr> <tr> <td>30 cm</td> <td>< 2,0 m</td> </tr> <tr> <td>40 cm</td> <td>< 3,0 m</td> </tr> </table>	\underline{S}	\underline{h}	30 cm	< 2,0 m	40 cm	< 3,0 m				
\underline{S}	\underline{h}											
30 cm	< 2,0 m											
40 cm	< 3,0 m											
	<p>Syntethic granulates</p> <table data-bbox="406 1892 758 2060"> <tr> <td>\underline{S}</td> <td>\underline{h}</td> </tr> <tr> <td>40 mm</td> <td>~> 1,2...1,3 m</td> </tr> <tr> <td>50 mm</td> <td>~> 1,5...1,7 m</td> </tr> <tr> <td>60 mm</td> <td>~> 1,8...2,0 m</td> </tr> <tr> <td>70 mm</td> <td>~> 2,1...2,5 m</td> </tr> </table> <p>Note. For accurate values, see manufacturer's instructions.</p>	\underline{S}	\underline{h}	40 mm	~> 1,2...1,3 m	50 mm	~> 1,5...1,7 m	60 mm	~> 1,8...2,0 m	70 mm	~> 2,1...2,5 m	
\underline{S}	\underline{h}											
40 mm	~> 1,2...1,3 m											
50 mm	~> 1,5...1,7 m											
60 mm	~> 1,8...2,0 m											
70 mm	~> 2,1...2,5 m											

REMOVE SAFETY SURFACE/SAND/GRAVEL
TO CHECK FOUNDATION



REMOVE SAFETY SURFACE/SAND/GRAVEL
TO CHECK FOUNDATION



<p>DET 1</p> <p>M8x50</p> <p>702845</p> <p>M8</p>	<p>DET 2</p> <p>M8x60</p> <p>902625</p> <p>702845</p> <p>M8</p>	<p>DET 3</p>
<p>DET 4</p> <p>CUT EXTRA CHAIN</p>	<p>DET 5</p> <p>90Nm</p> <p>M12x110</p> <p>Ø24/13</p> <p>901958</p> <p>M8x35</p> <p>Ø24/13</p> <p>M12 NYLOC</p> <p>M8</p> <p>CUT EXTRA CHAIN</p>	<p>DET 6</p> <p>M12x120</p> <p>Ø24/12</p> <p>904801</p> <p>907621</p> <p>901958</p> <p>M8x35</p> <p>Ø24/13</p> <p>M12 NYLOC</p> <p>M8</p> <p>CUT EXTRA CHAIN</p>
<p>DET 7</p> <p>M12x40</p> <p>M12</p> <p>902012</p>	<p>DET 8</p> <p>NOTE: Aluminum thread fasten carefully.</p> <p>903388</p> <p>M8x30</p>	<p>DET 9</p> <p>NOTE: Aluminum thread fasten carefully.</p> <p>702850</p> <p>M8x30</p> <p>903388</p>
<p>DET 10</p> <p>902623</p> <p>M8</p> <p>Ø16/8.4</p> <p>Ø16/8.4</p> <p>M8x30</p>	<p>DET 11</p> <p>M8x30</p> <p>Ø16/8.4</p> <p>M8</p>	<p>DET 12</p> <p>902624</p>

<p>DET 13</p> <p>M10x50</p> <p>Ø20/10.5</p> <p>M10</p>	<p>DET 14</p> <p>M10x40</p> <p>Ø20/10.5</p> <p>M10</p>	<p>DET 15</p> <p>M10x40 (901487)</p> <p>Ø20/10.5x2 (901302)</p> <p>M10 (909637)</p>
<p>DET 16</p> <p>903572</p> <p>903567</p> <p>M8x60</p> <p>GLUE</p>	<p>DET 17</p> <p>M12x90 901994</p> <p>M12</p>	<p>DET 18</p> <p>M12x120</p> <p>903574</p> <p>M12</p>
<p>DET 19</p> <p>M12x90</p> <p>M12</p> <p>902157</p>	<p>DET 20</p> <p>M12</p> <p>901994</p> <p>M12x120</p>	<p>DET 21</p> <p>M8x60</p> <p>M8</p> <p>905067</p>
<p>DET 22</p> <p>703062</p> <p>M8x60</p> <p>GLUE</p>	<p>DET 23</p> <p>M8x60</p> <p>GLUE</p>	<p>DET 24</p> <p>901958</p> <p>903577</p>

DET 25-26

M12x120

904100

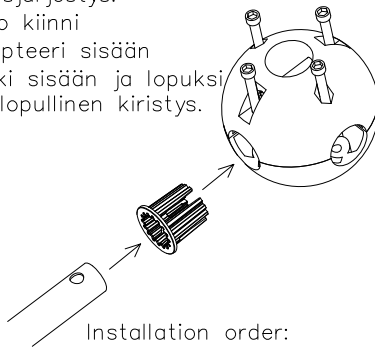
904015

904102

Kun putken pää osuu adapterin kynsiin, adapteri tiukentuu paikoilleen.

Asennusjärjestys:

- 1) Pallo kiinni
- 2) Adapteri sisään
- 3) putki sisään ja lopuksi pallon lopullinen kiristys.



Installation order:

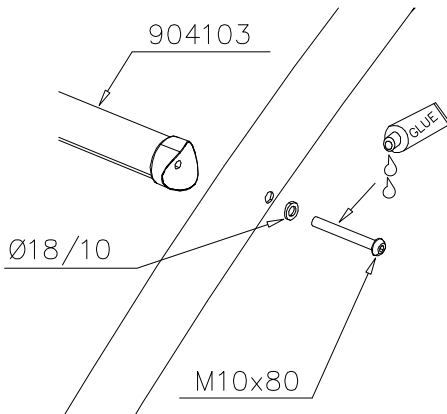
- 1) Close the ball
- 2) Insert adapter
- 3) Insert tube and tighten screws.

DET 27

904103

Ø18/10

M10x80



DET 28

906621

M12x35
(909347)

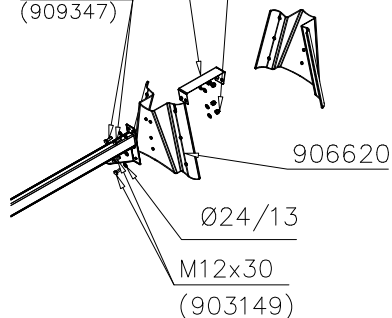
M12

906620

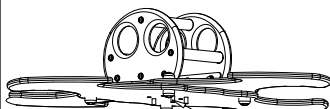
Ø24/13

M12x30
(903149)

M12 → 60 Nm



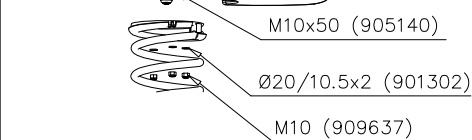
DET 29



M10x50 (905140)

Ø20/10.5x2 (901302)

M10 (909637)



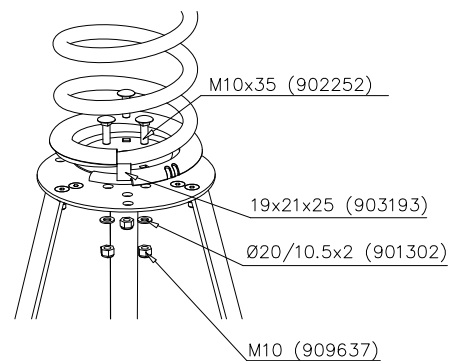
DET 30

M10x35 (902252)

19x21x25 (903193)

Ø20/10.5x2 (901302)

M10 (909637)



DET 31

M12 → 60 Nm

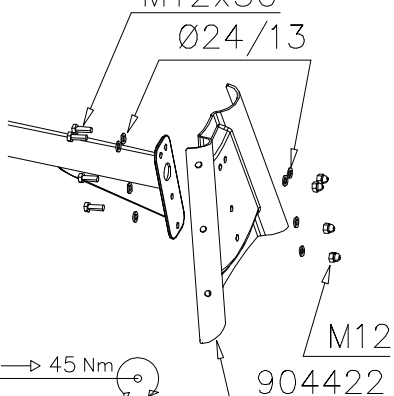
M12x30

Ø24/13

M10 → 45 Nm

M12

904422



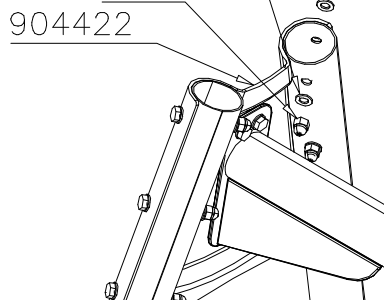
DET 32

M12 → 60 Nm

M12x100

Ø24/13

M12
904422



DET 33

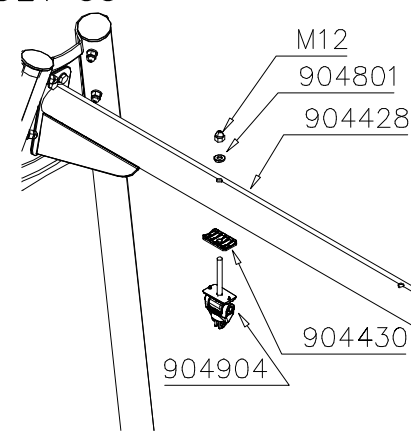
M12

904801

904428

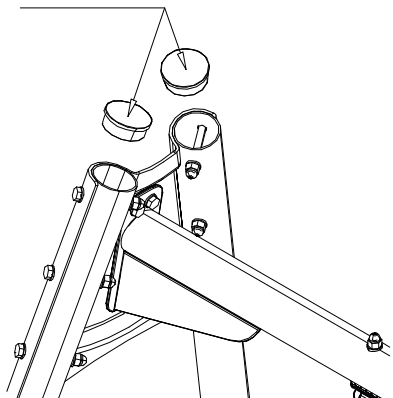
904430

904904

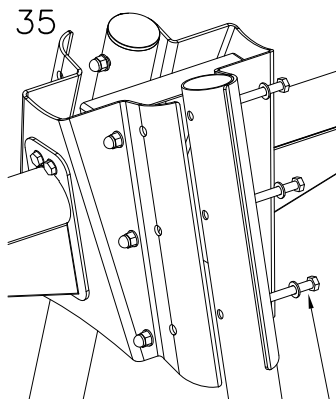


DET 34

904800



DET 35



M12x110

DET 36

DET A

$\text{Ø}24/13$ (980154)
 $\text{M}12 \times 30$ (903149)
 $\text{M}12$ (909644) 80Nm (M12)
 $\text{M}10$ (900965) 45Nm (M10)
 $\text{M}10 \times 25$ (909639)
 $\text{Ø}20/10.5$ (909638)

- M12x30 2 pcs
- Ø24/13 4 pcs
- M12 2 pcs
- M10x25 2 pcs
- Ø20/10.5 4 pcs
- M10 2 pcs
- 909638 1 pcs

DET A

999561
 GLUE
 $\text{Ø}24/13$ (980154)
 905115
 12×35 (909347)
 905090

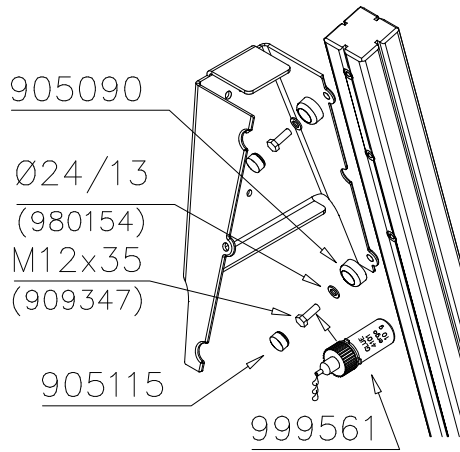
- M12x35 6 pcs
- Ø24/13 6 pcs
- Ø45 6 pcs
- Ø30 6 pcs
- GLUE

DET B

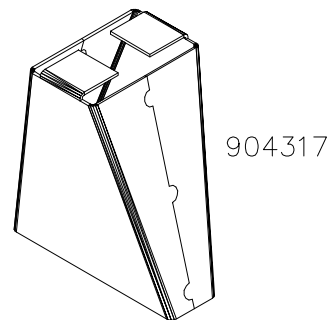
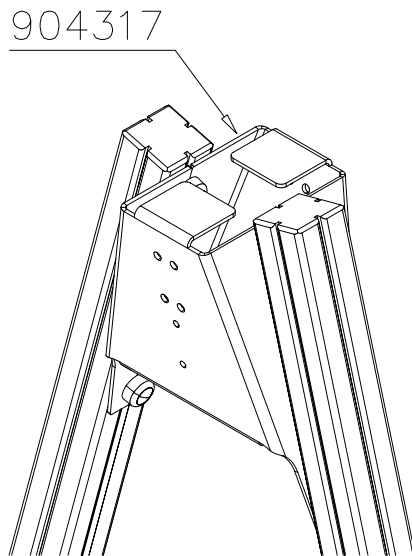
$\text{Ø}24/13$ (980154)
 $\text{M}12 \times 30$ (903149)
 $\text{M}12$ (909644) 80Nm
 $\text{M}10$ (900965) 45Nm
 $\text{M}10 \times 25$ (909639)
 $\text{Ø}20/10.5$ (909638)

- M12x30 2 pcs
- Ø24/13 4 pcs
- M12 2 pcs
- M10x25 2 pcs
- Ø20/10.5 4 pcs
- M10 2 pcs

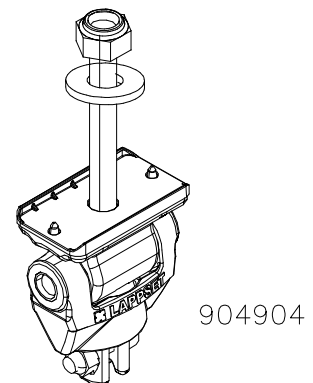
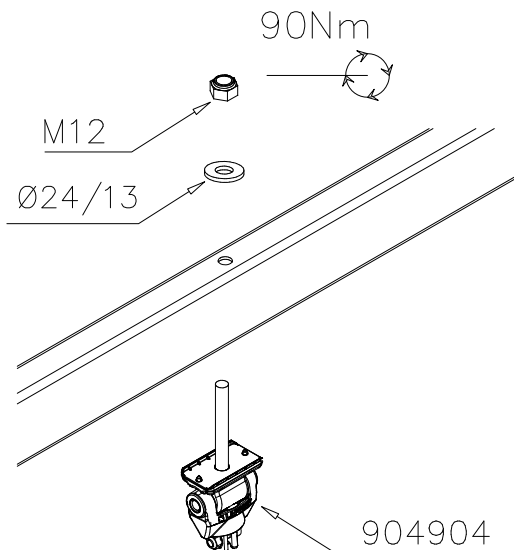
DET B



DET B



DET C



DET D

90Nm

M12x110 (906499)

Ø24/13 (980154)

901958

M8x35

Ø24/13 (980154)

M12 (902234)

M8

CUT EXTRA CHAIN

M12x110 2 pcs

Ø24/13 4 pcs

M12 2 pcs

901958 1 pcs

DET D

903577

903577 1 pcs

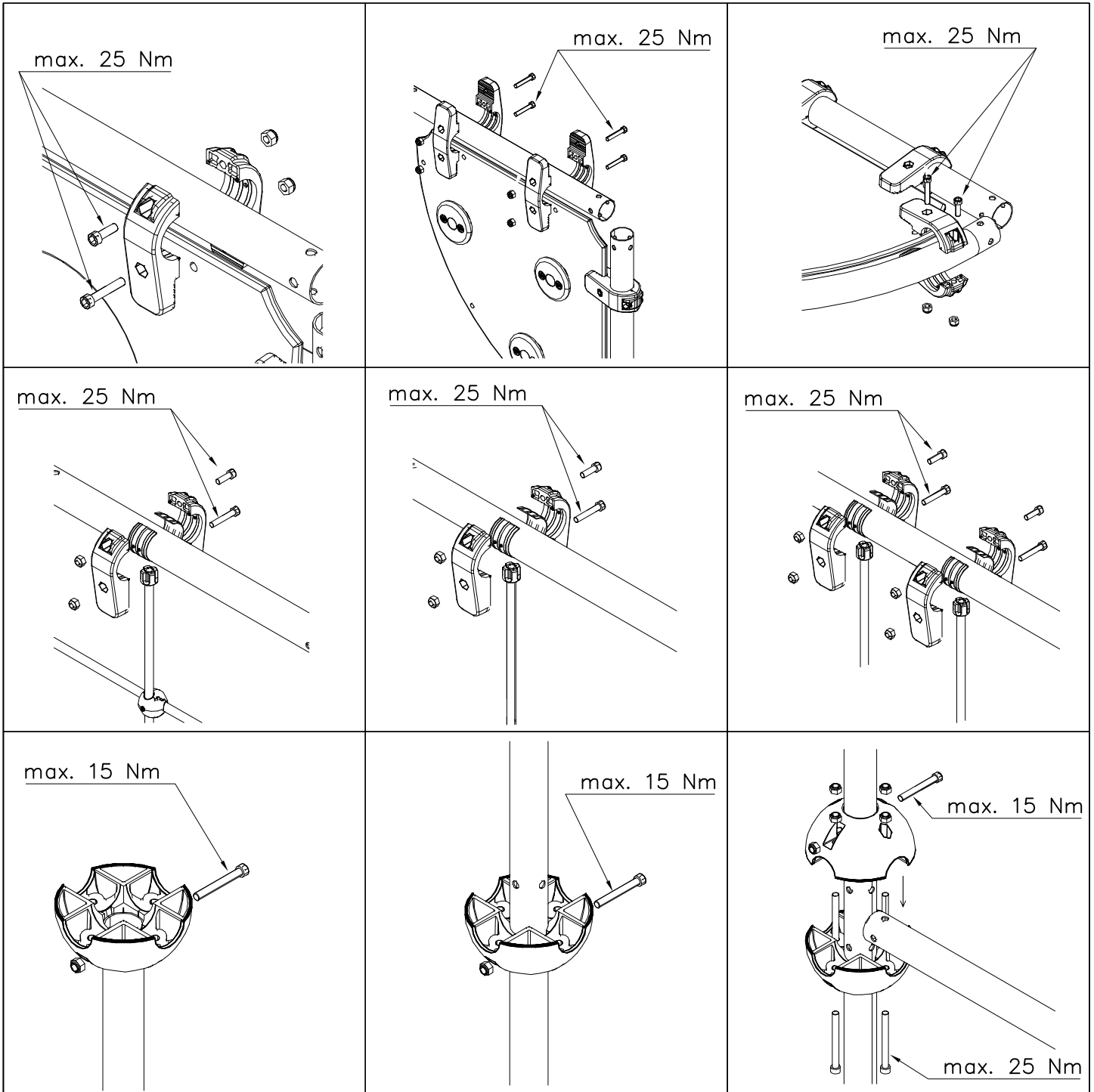
DET E

6x60 980131

980131 4 pcs

905138 1 pcs

905196 1 pcs



Security plugs are included only for selected products.

Hox!
Pultit on kiristettävä lopulliseen kireyteen, ennen turvapinnien asennusta.

Note!
Tighten bolts properly, before installing security plugs.

