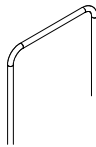
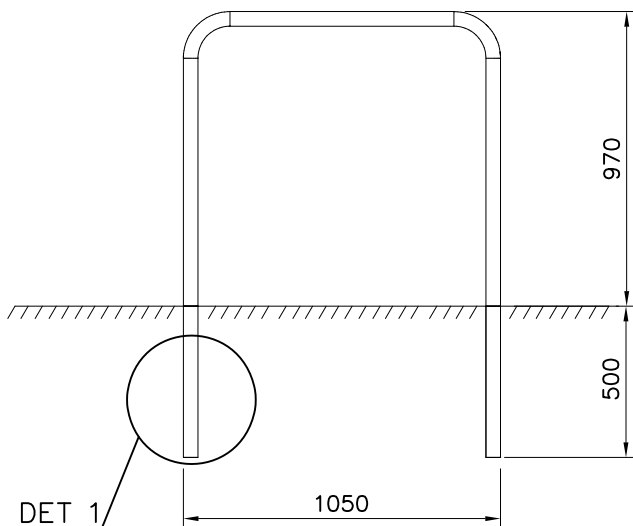
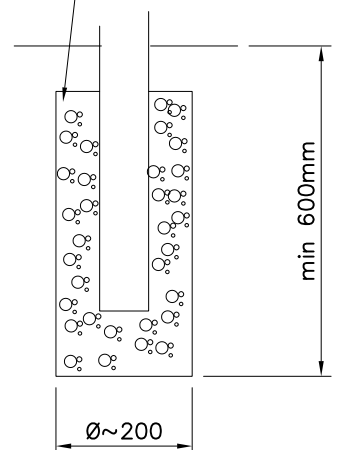


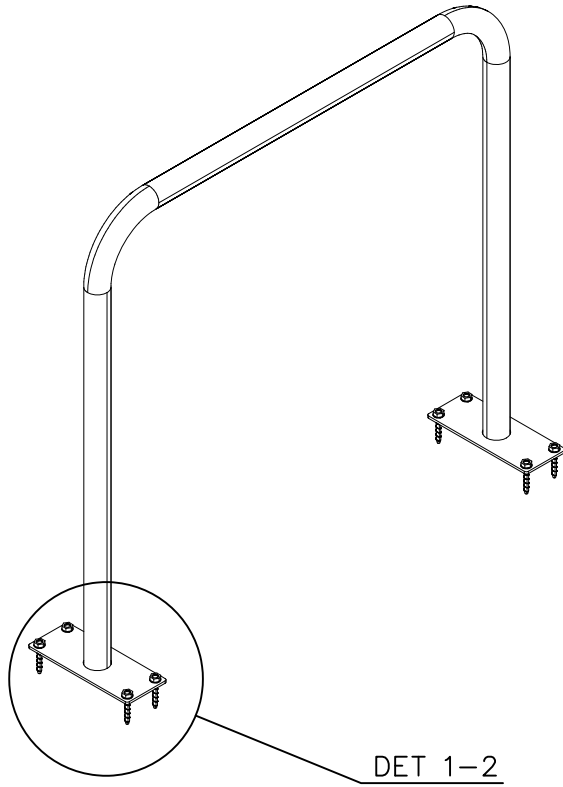
① NF8800M 	PCS		PCS
	1		
	PCS		PCS
	PCS		PCS
	PCS		PCS

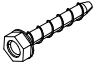
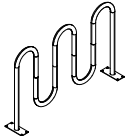
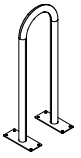
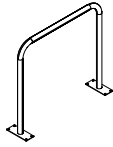
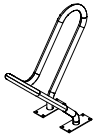


DET 1

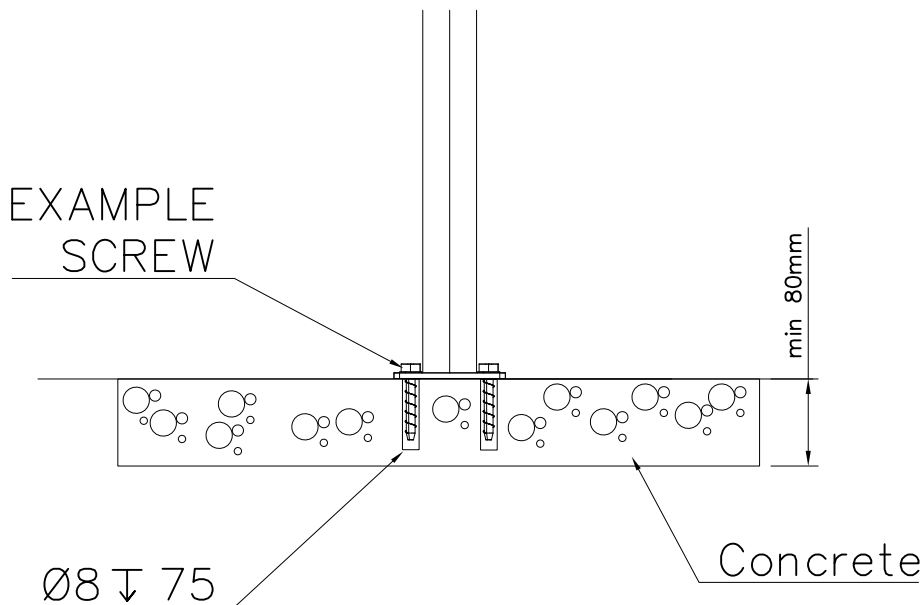
Concrete





PCS	EXAMPLE SCREW	PCS
		
	Ø10x60	
PCS	NF8500M	PCS
		1
PCS	NF8600M	PCS
		1
PCS	NF8800M	PCS
		1
PCS	NF3931M	PCS
		1

DET 1



DET 2

