

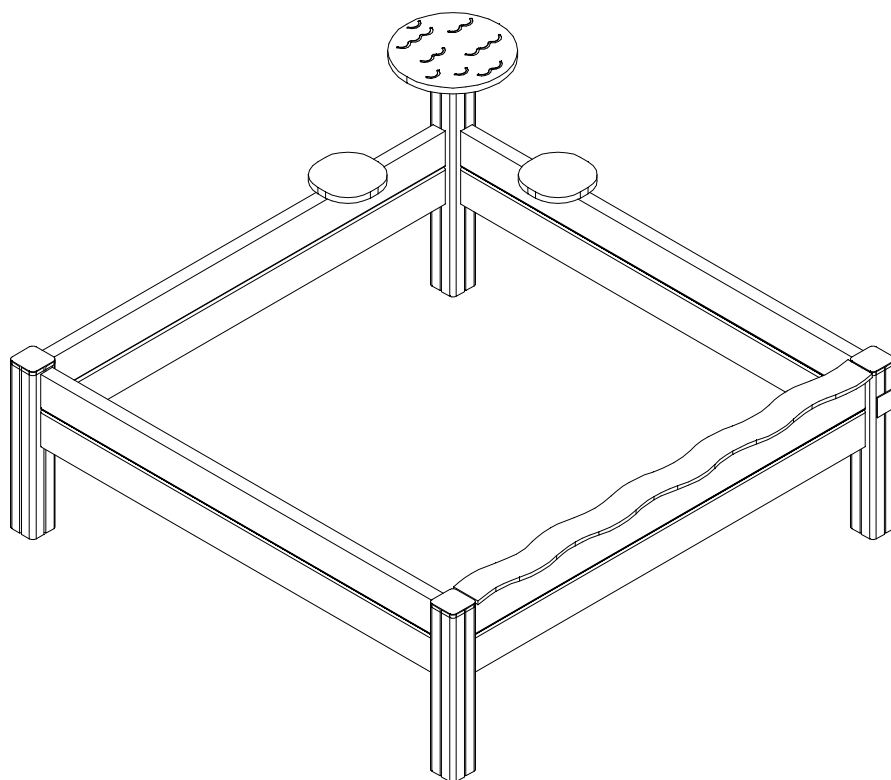


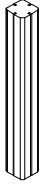
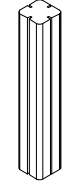
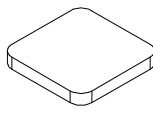

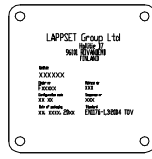

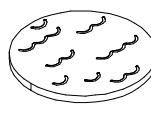

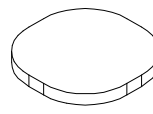



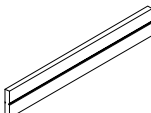

PRIME

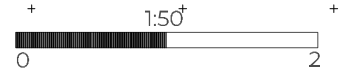
ASENNUSOHJE  
MONTERINGSANSVISNING  
INSTALLATION INSTRUCTION  
AUFBAUANLEITUNG  
NOTICE D'INSTALLATION

DATE: 4.11.2025

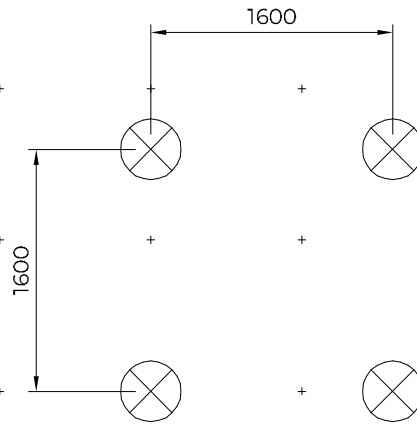
F24600M



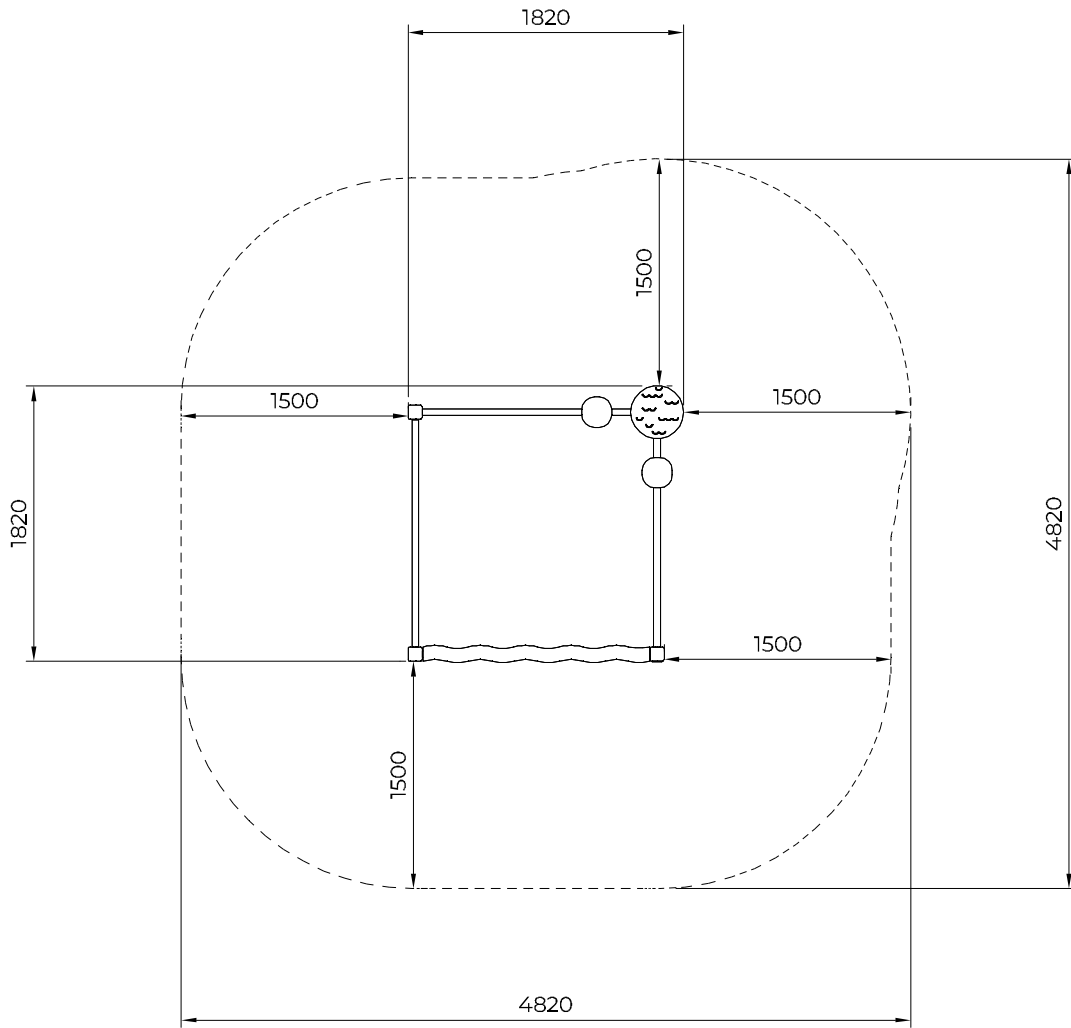
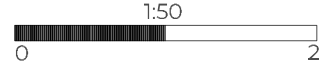
711847  L 750	PCS 1	712394  L 550	PCS 3	712760  	PCS 3	712797  	PCS 1	712845  	PCS 1	712881  	PCS 2
712882  L 1500 	PCS 1	712935  L 1500 	PCS 4		PCS		PCS		PCS		PCS
	PCS		PCS		PCS		PCS		PCS		PCS
	PCS		PCS		PCS		PCS		PCS		PCS
	PCS		PCS		PCS		PCS		PCS		PCS
	PCS		PCS		PCS		PCS		PCS		PCS
	PCS		PCS		PCS		PCS		PCS		PCS

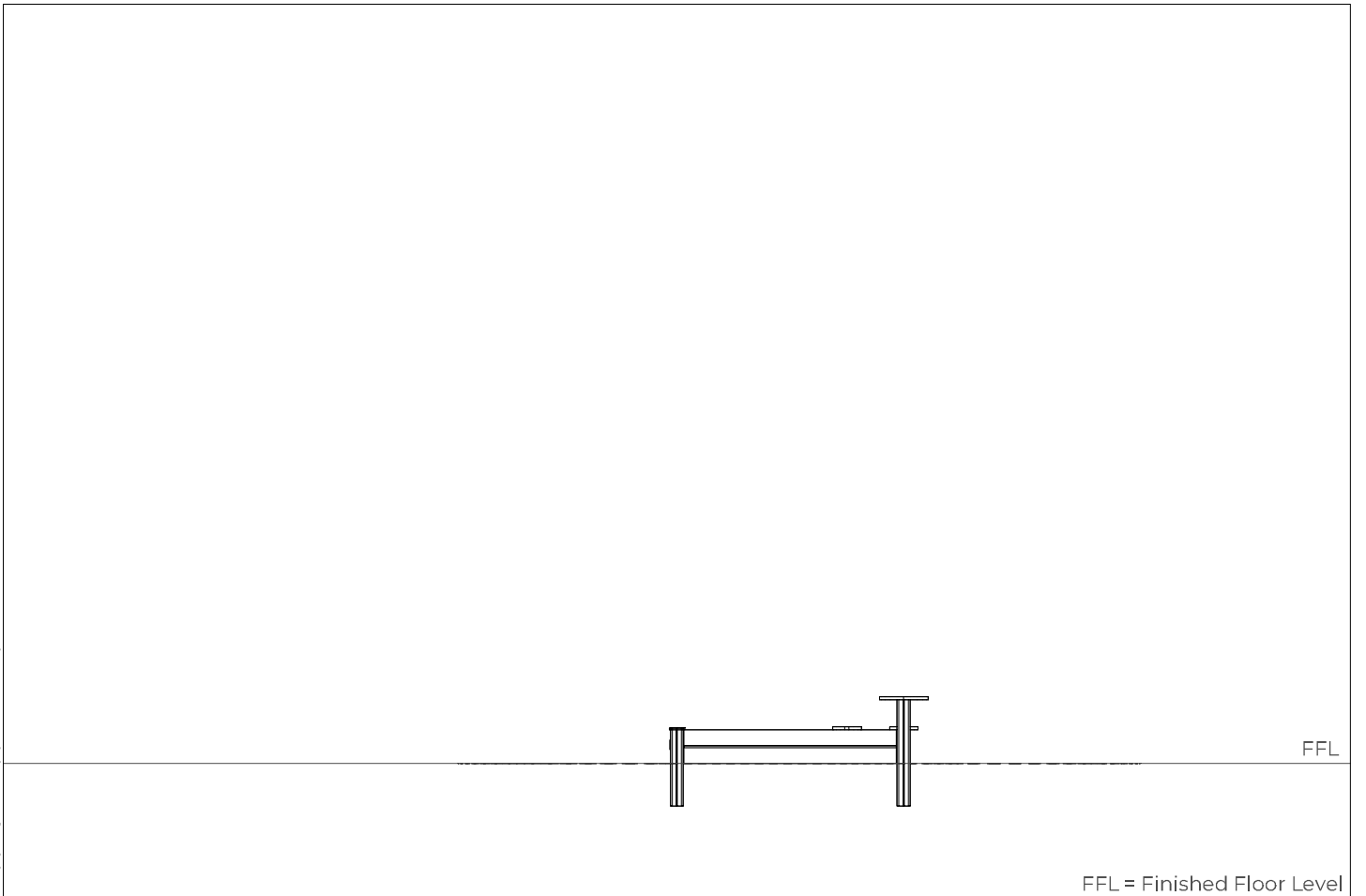
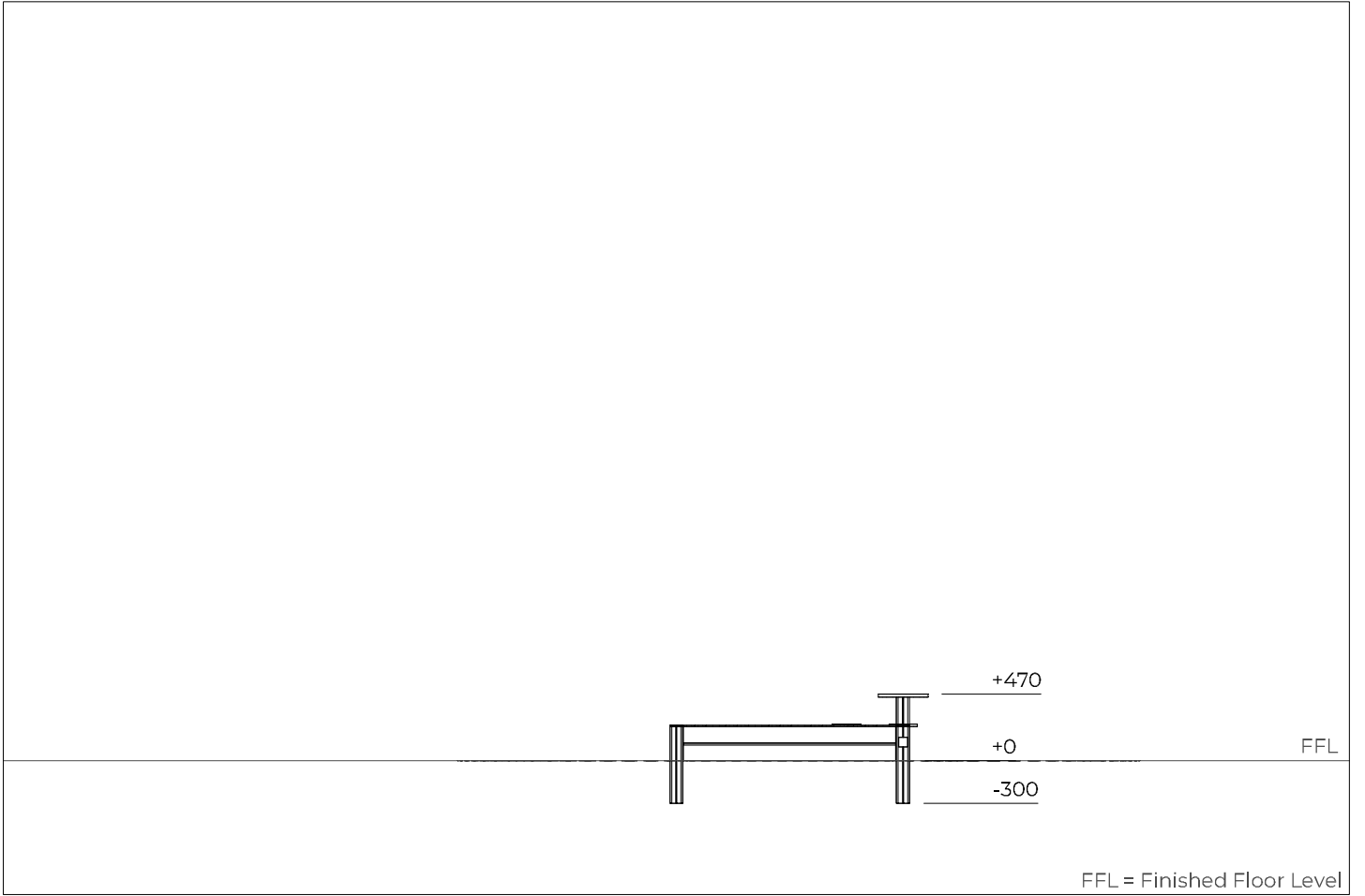


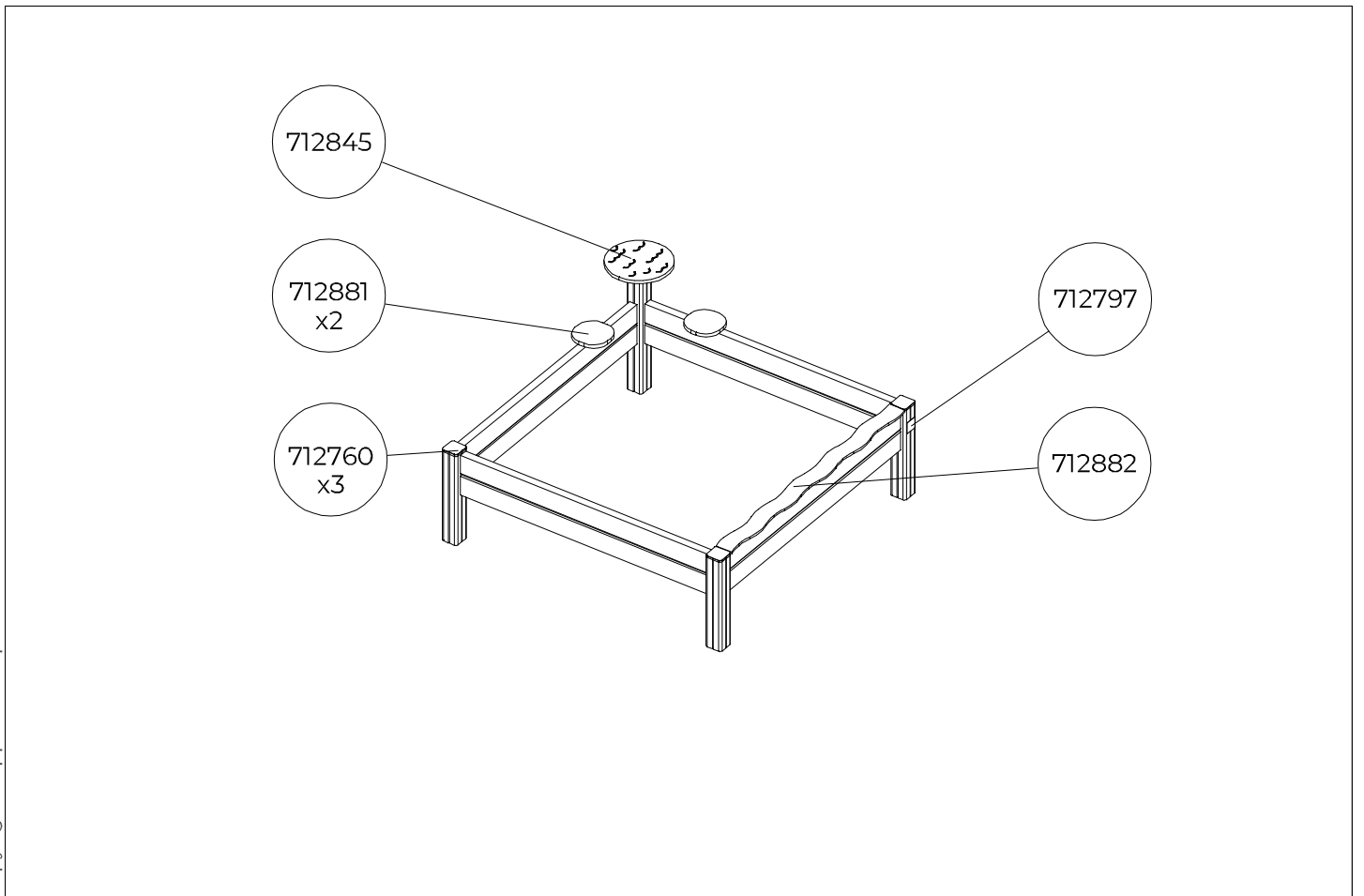
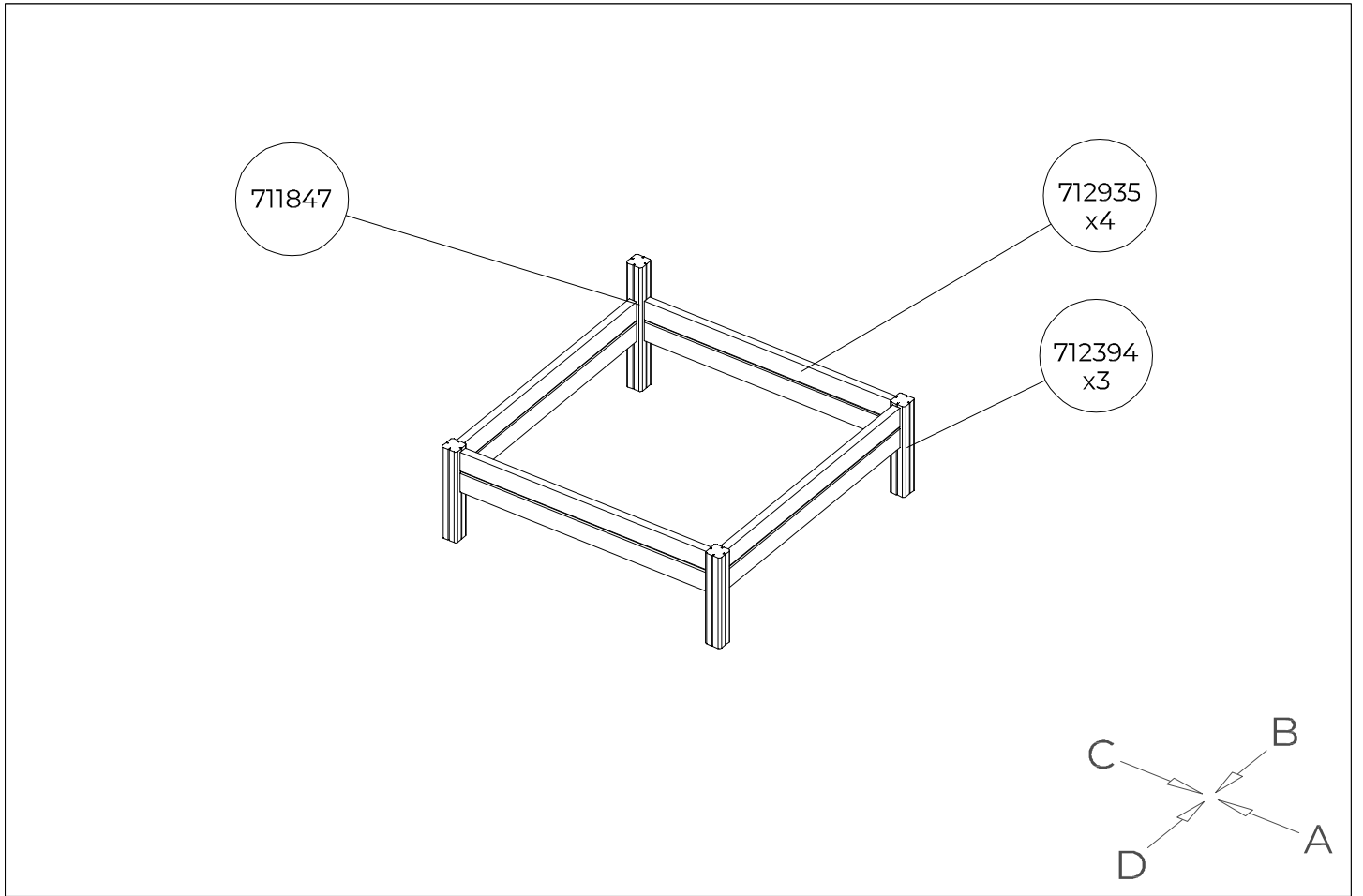
Grid size = 1000 mm



Falling Space 20 m<sup>2</sup>  
Max Falling Height 470 mm



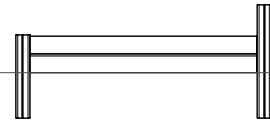
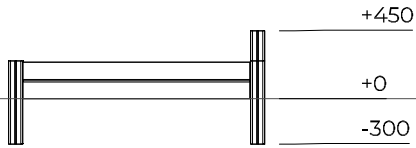




A

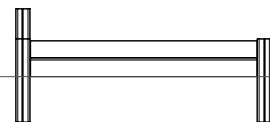
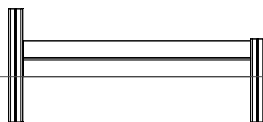
1:50

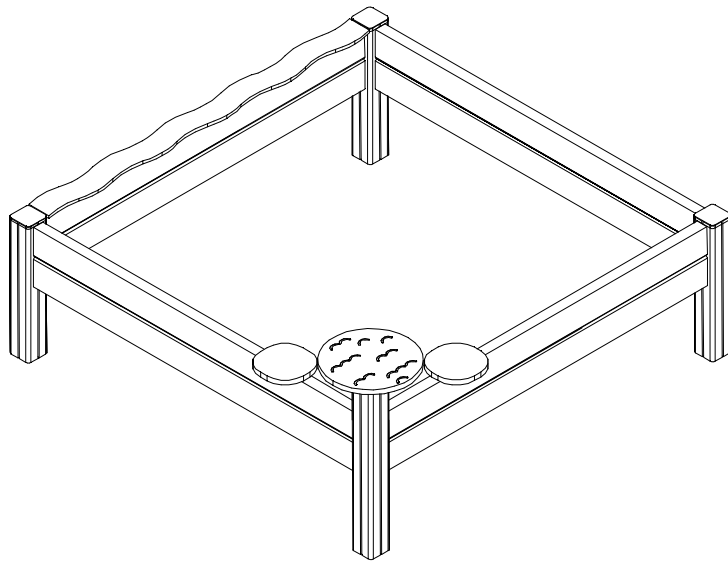
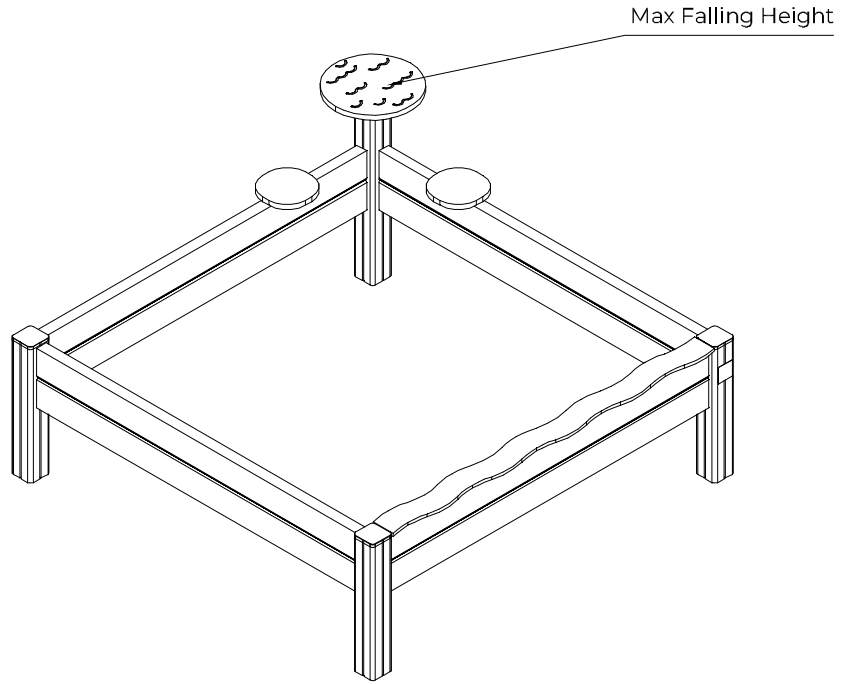
B

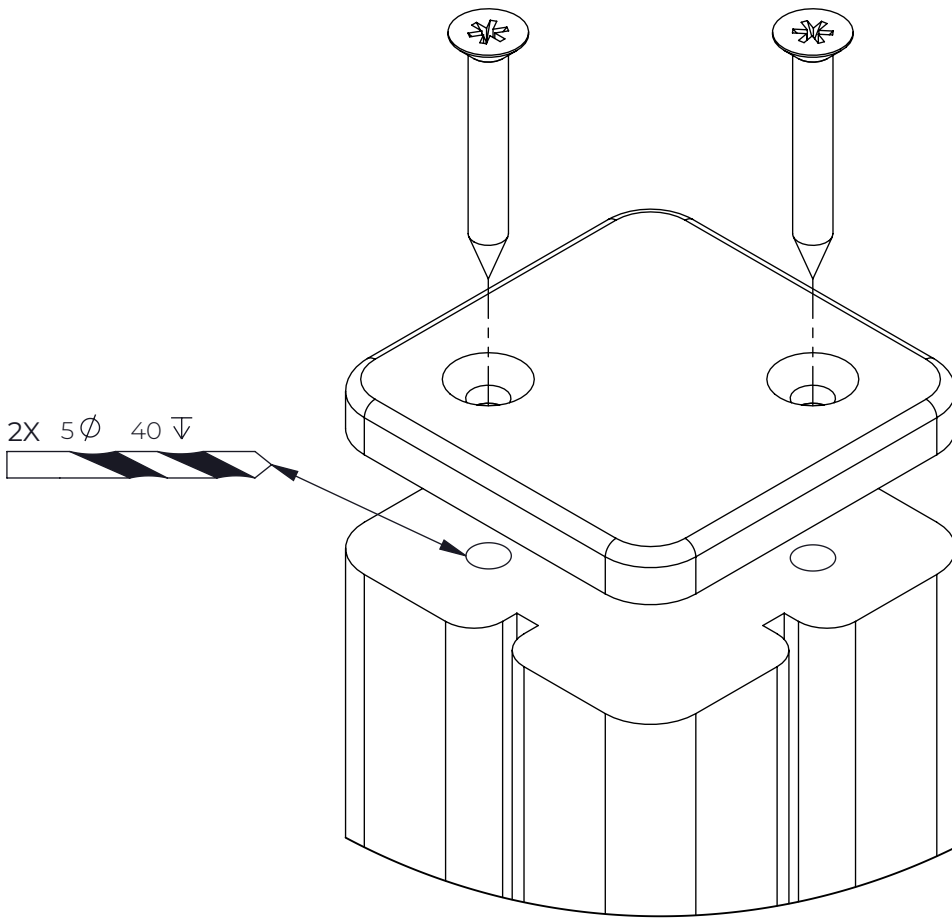


C

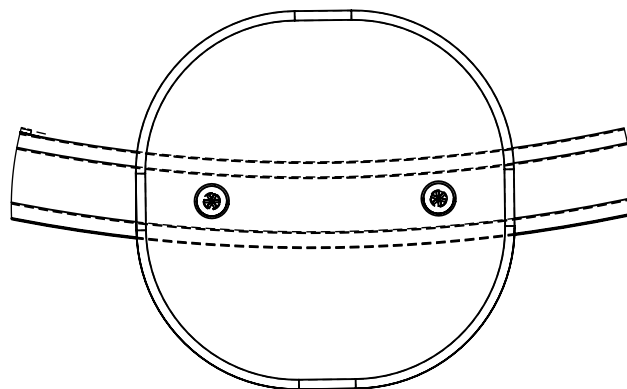
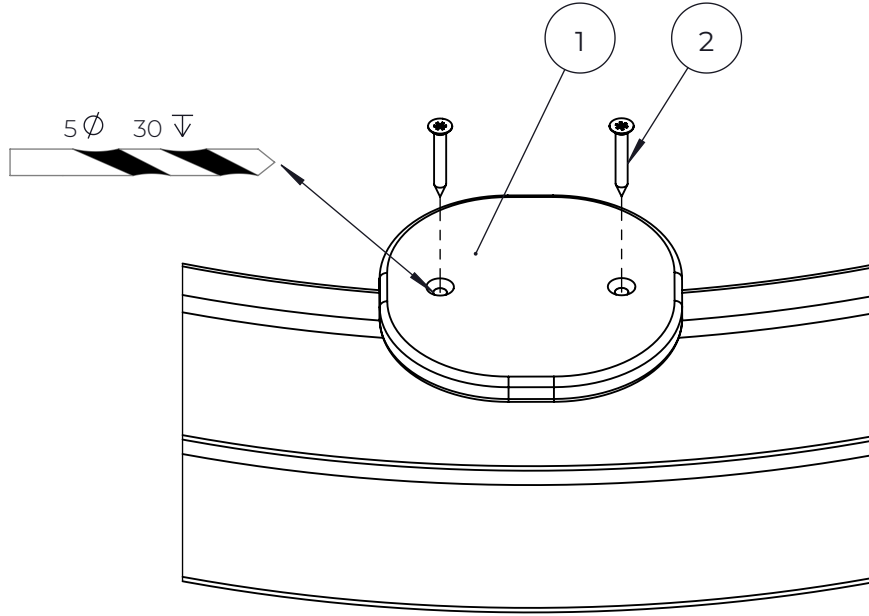
D



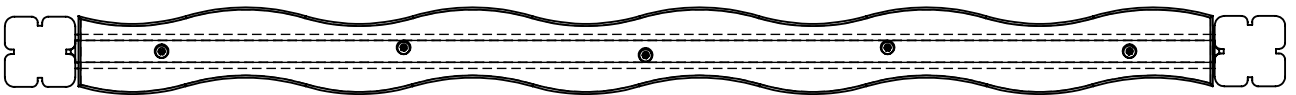
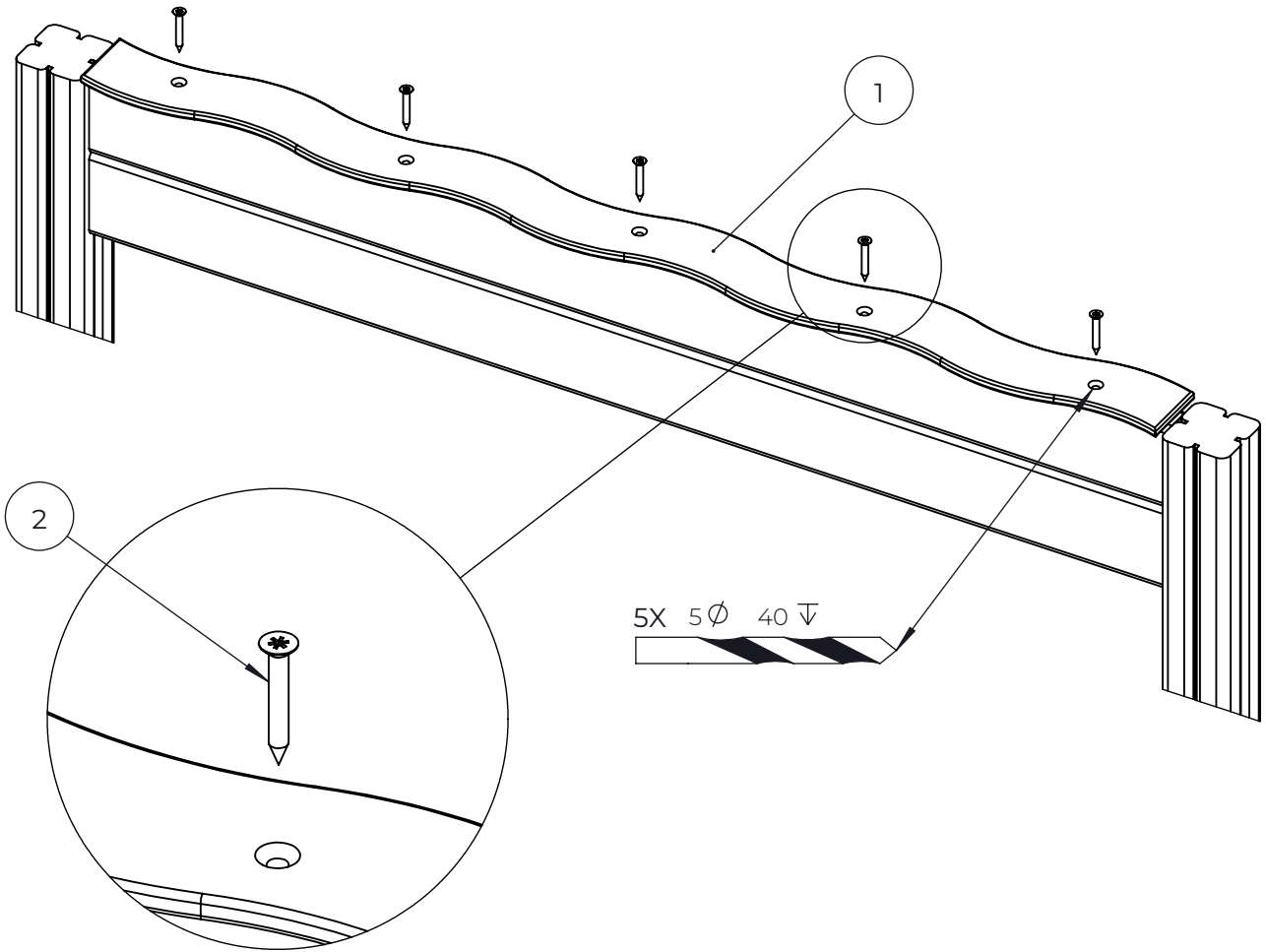




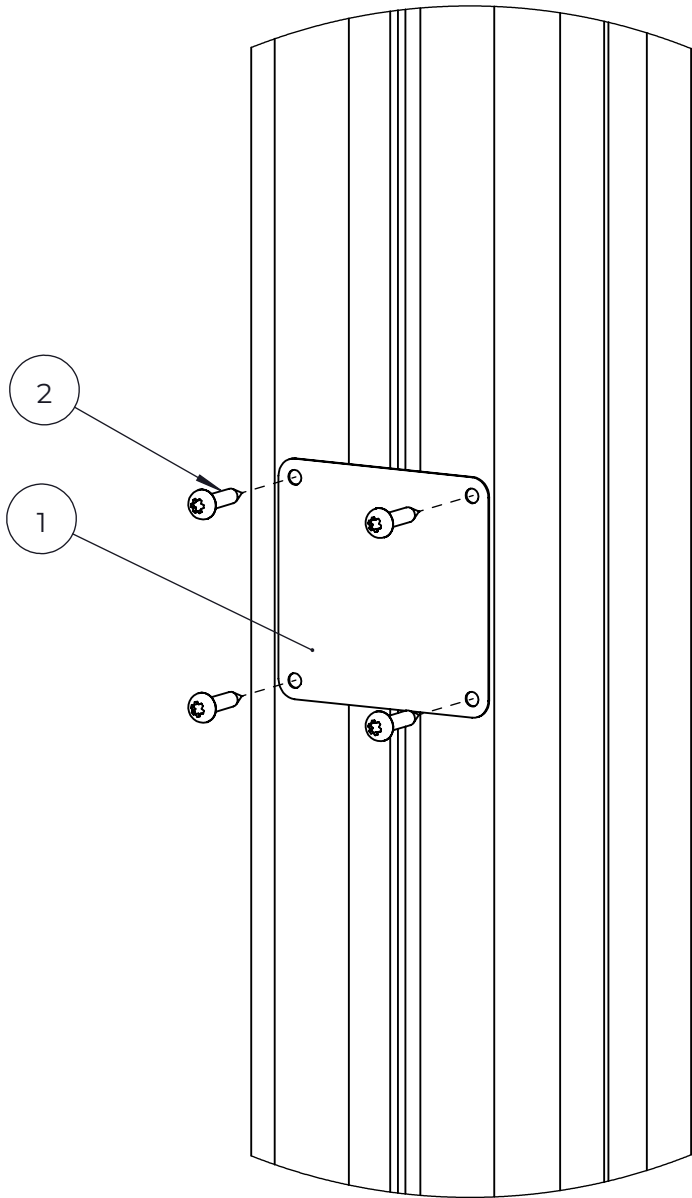
NO.	ITEM CODE			QTY.
1	906630	SCREW	Ø8x60	2
2	711807	TOP HAT	93x93x12	1



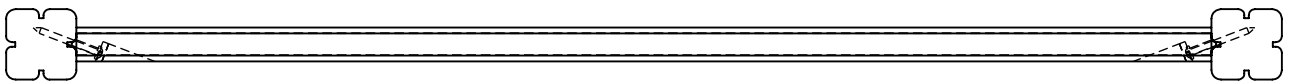
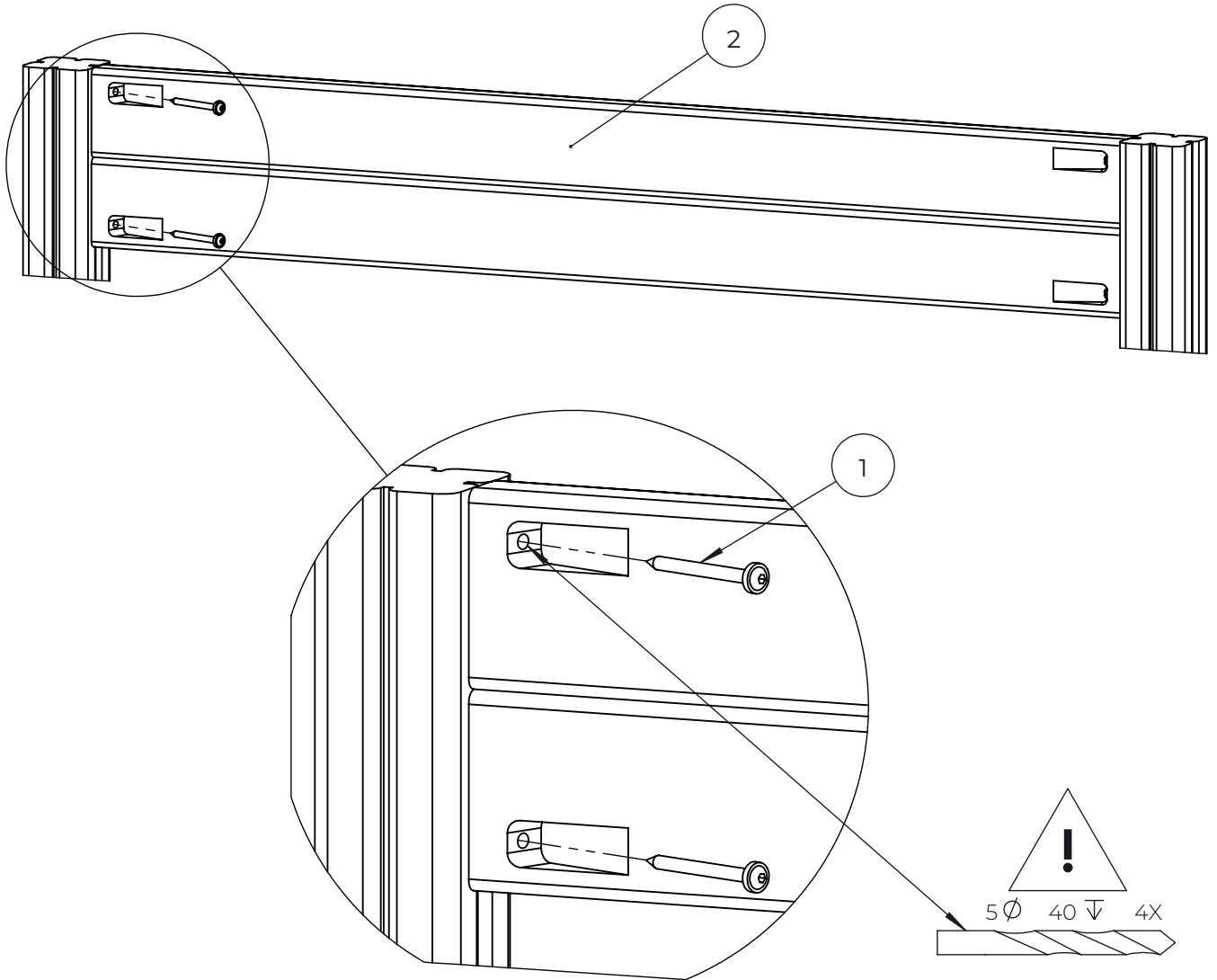
NO.	ITEM CODE			QTY.
1	711848	SEAT	20x200x200	1
2	906630	SCREW	Ø8x60	2



NO.	ITEM CODE			QTY.
1	712794	PLATE	12x114x1500	1
2	906630	SCREW	Ø8x60	5



NO.	ITEM CODE			QTY.
1	702286	PRINTED LABEL	65x65	1
2	980114	SCREW	Ø4x20	4



NO.	ITEM CODE			QTY.
1	903093	SPECIAL SCREW	Ø8x90	4
2	712410	BOOM ELEMENT	45x240x1519	1