

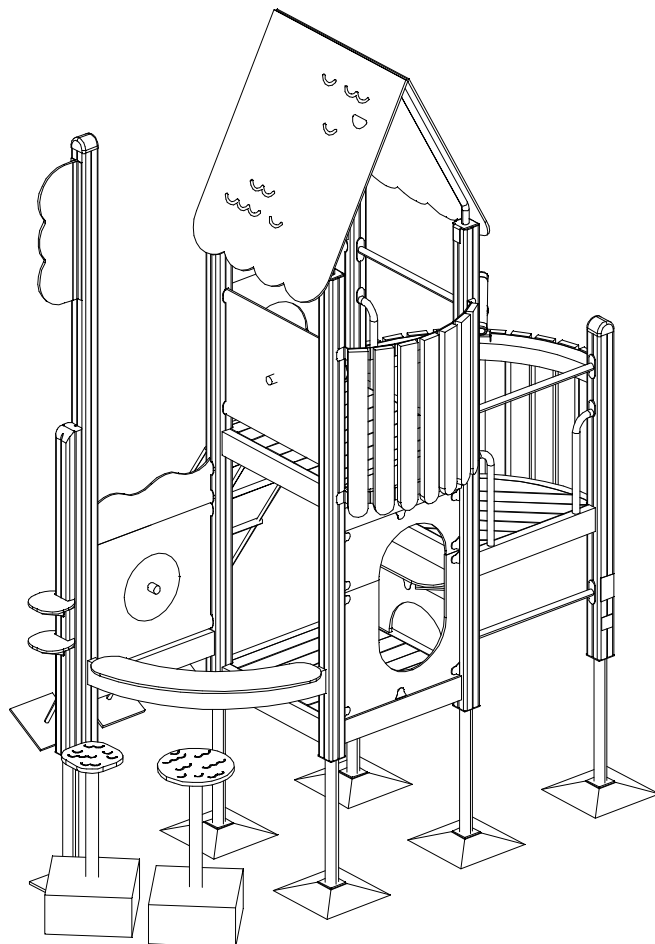


PRIME

ASENNUSOHJE  
MONTERINGSANSVISNING  
INSTALLATION INSTRUCTION  
AUFBAUANLEITUNG  
NOTICE D'INSTALLATION

DATE: 3.11.2025

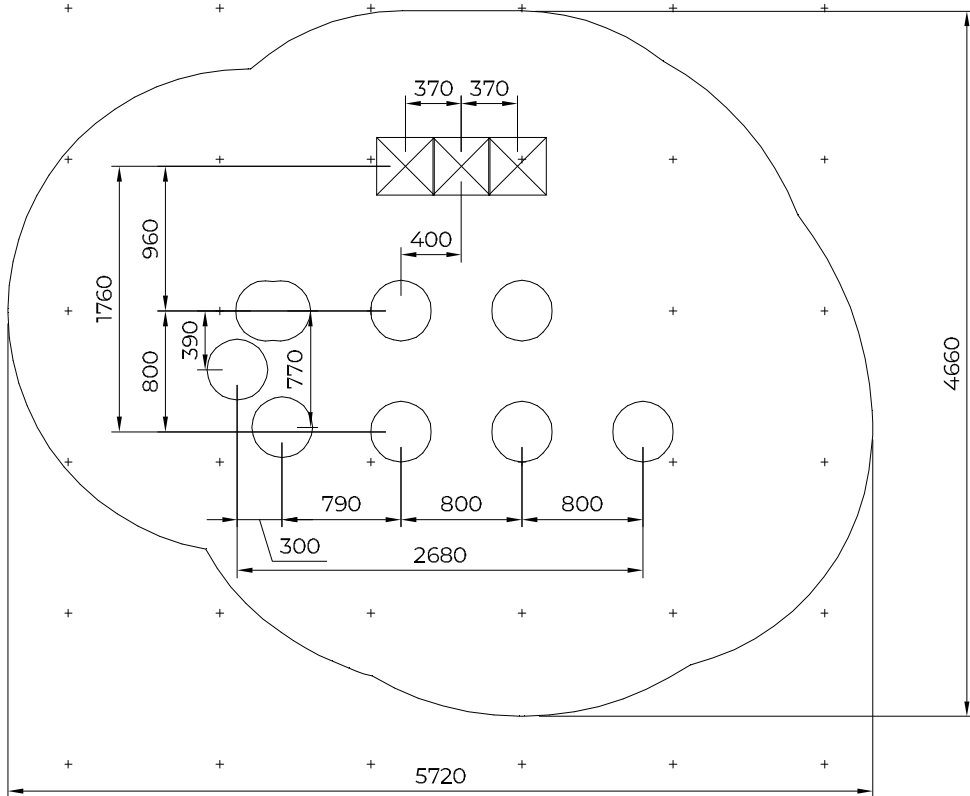
F24701M



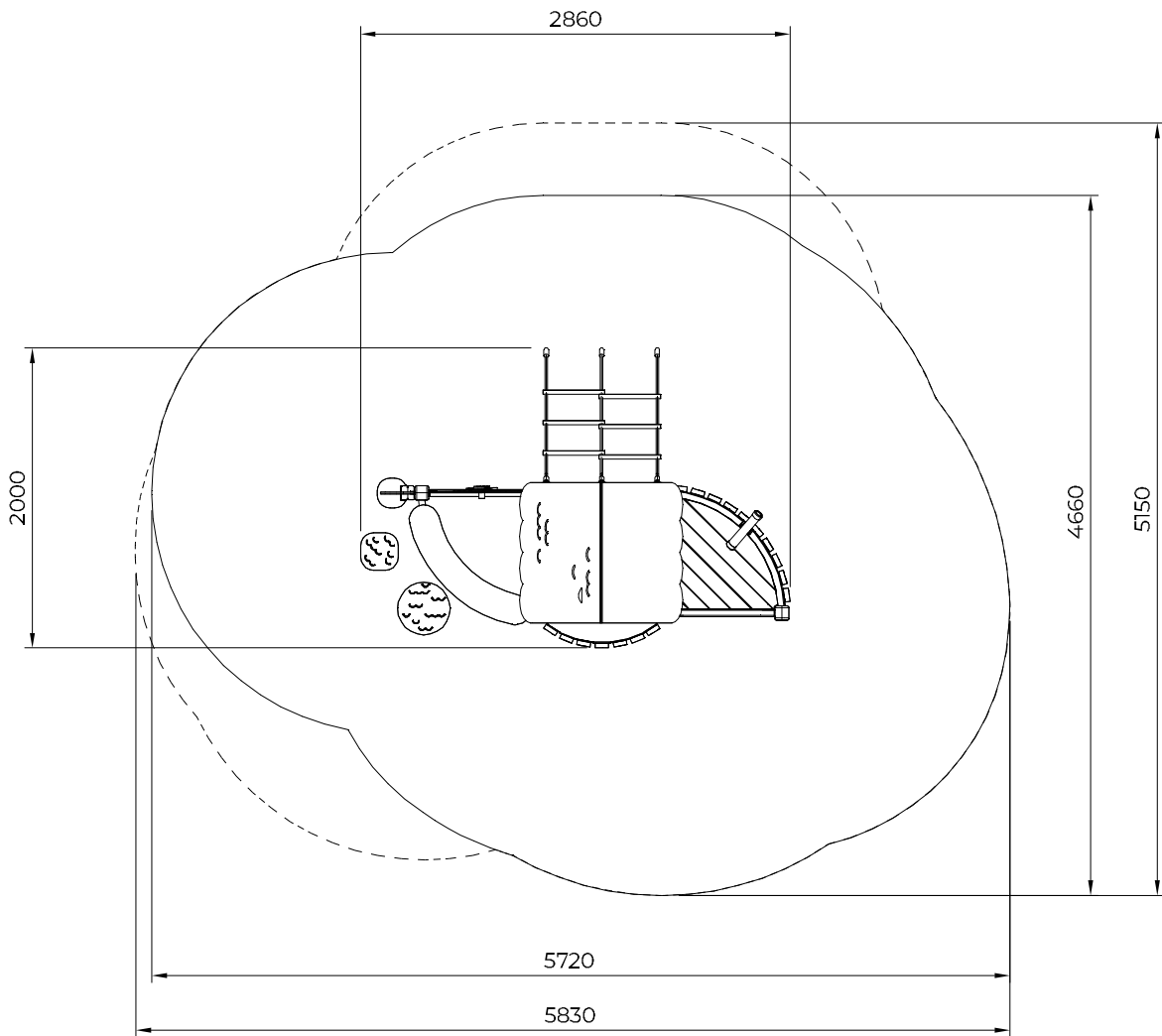
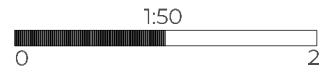
710468	PCS 1	712007	PCS 2	712032	PCS 1	712040	PCS 4	712046	PCS 1	712397	PCS 1
				L 1650		L 2450		L 3050			
712398	PCS 2	712407	PCS 1	712431	PCS 1	712460	PCS 1	712488	PCS 1	712517	PCS 1
712547	PCS 1	712600	PCS 4	712629	PCS 1	712655	PCS 1	712681	PCS 1	712724	PCS 2
L 700										L 1096	
712747	PCS 14	712752	PCS 3	712753	PCS 1	712780	PCS 4	712788	PCS 2	712797	PCS 1
L 704						L 704					
712798	PCS 1	712819	PCS 1	712844	PCS 1	712856	PCS 1	712863	PCS 1	712889	PCS 5
										L 700	
712910	PCS 2	712922	PCS 2	712965	PCS 1	712966	PCS 1	712999	PCS 1	713023	PCS 1
713035	PCS 1	713174	PCS 1	713201	PCS 1	903441	PCS 2		PCS		PCS
L 1650						L 700					

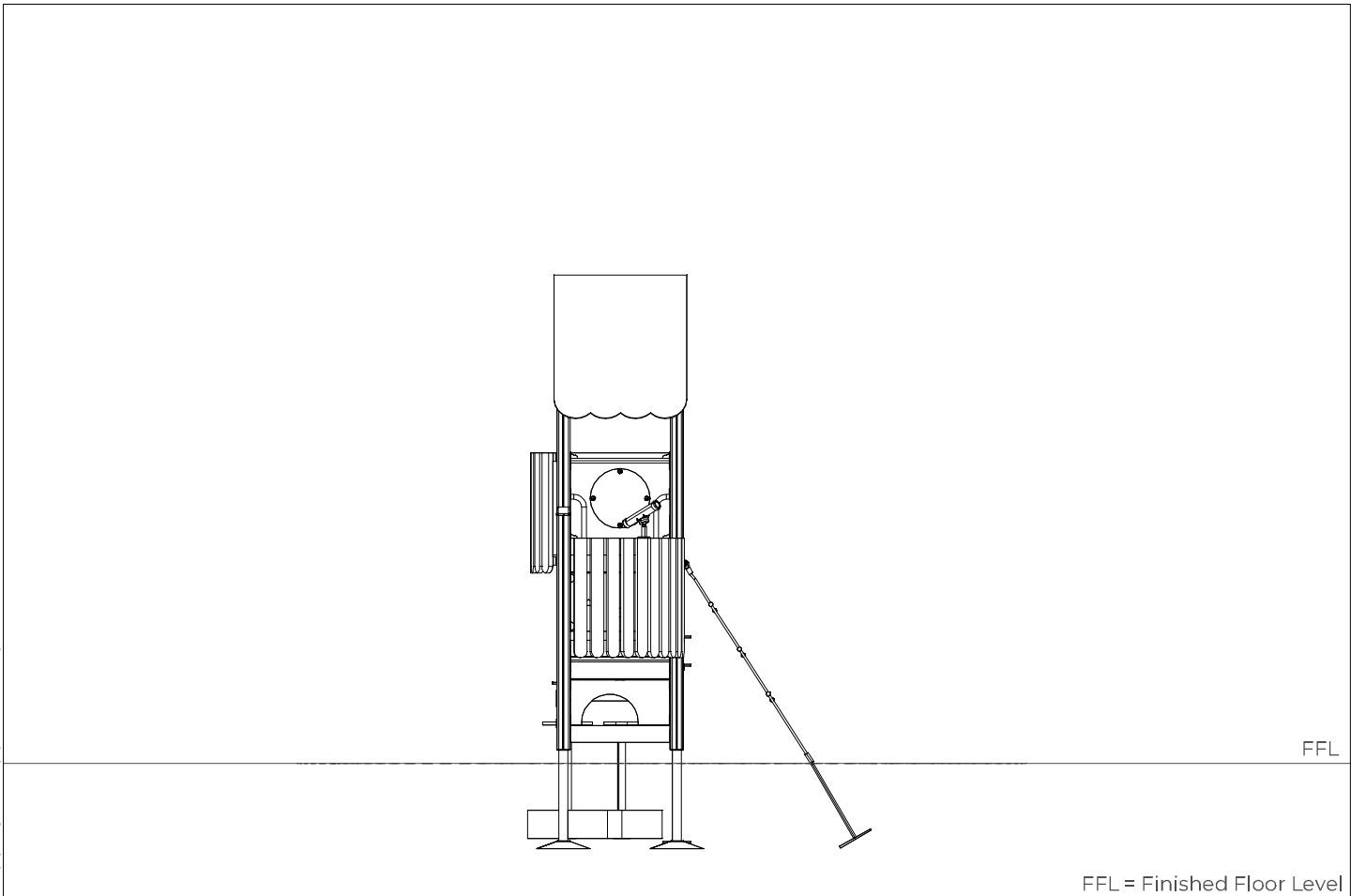
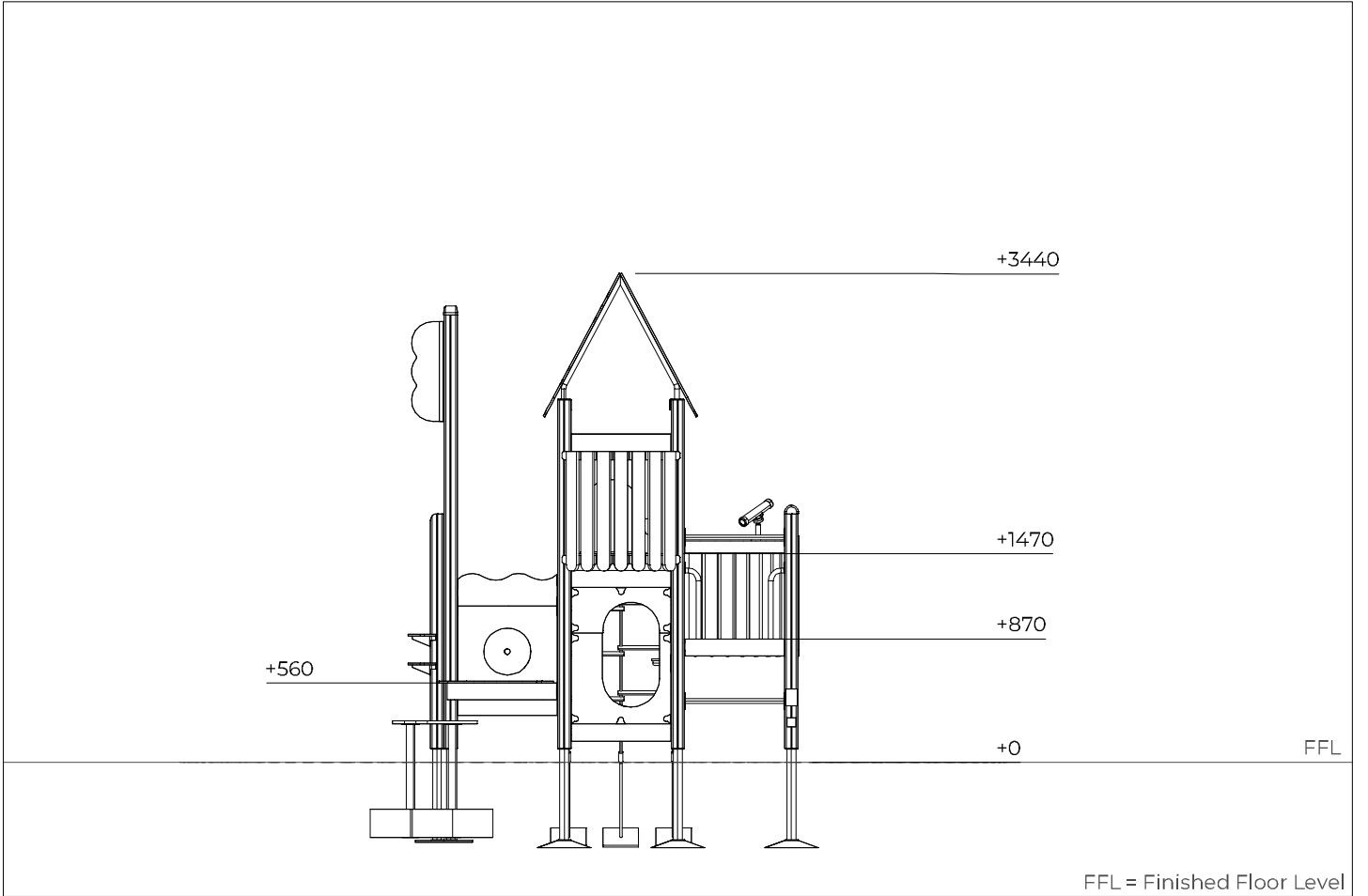


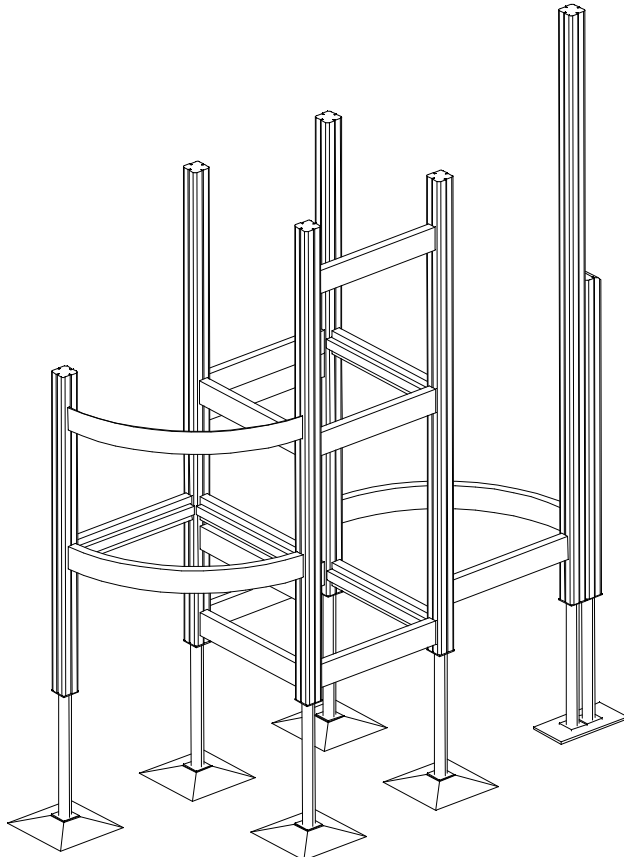
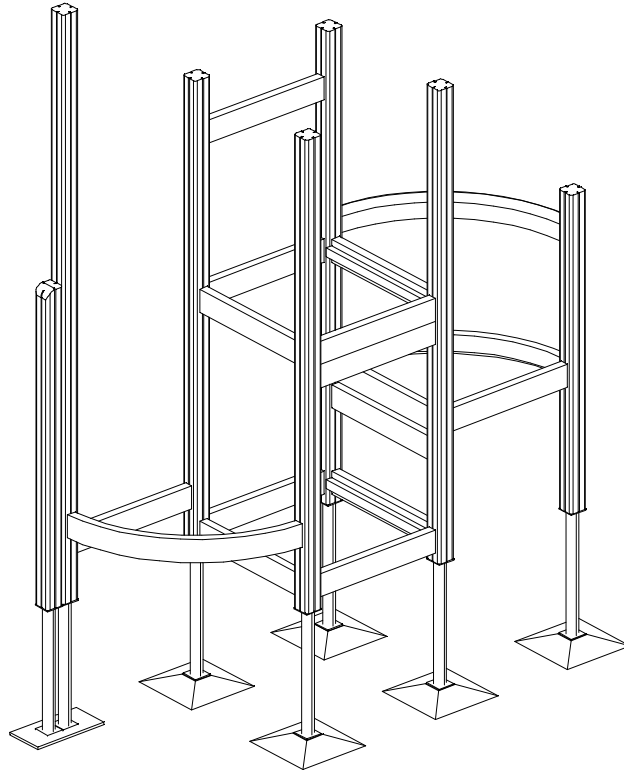
Grid size = 1000 mm

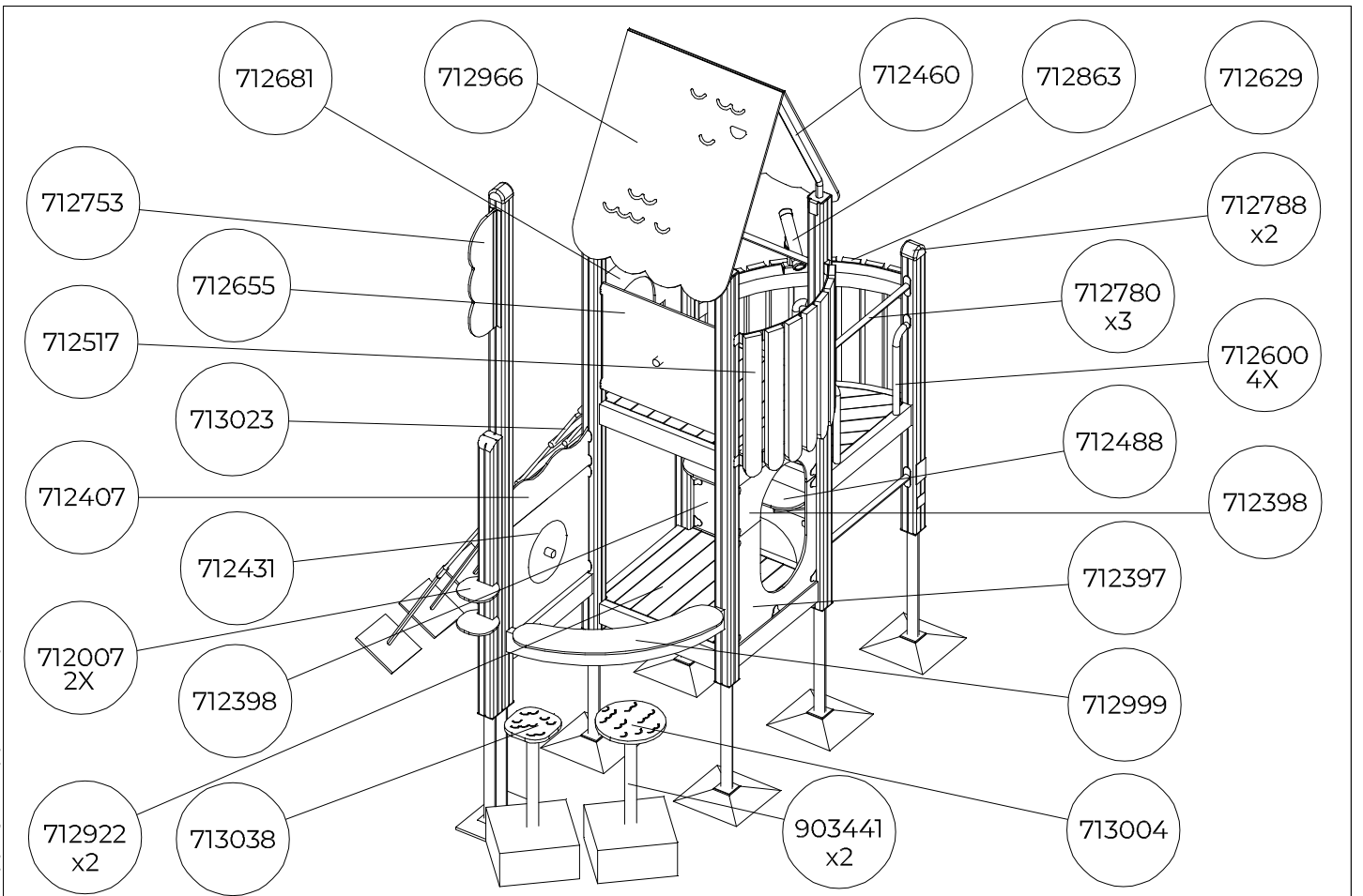
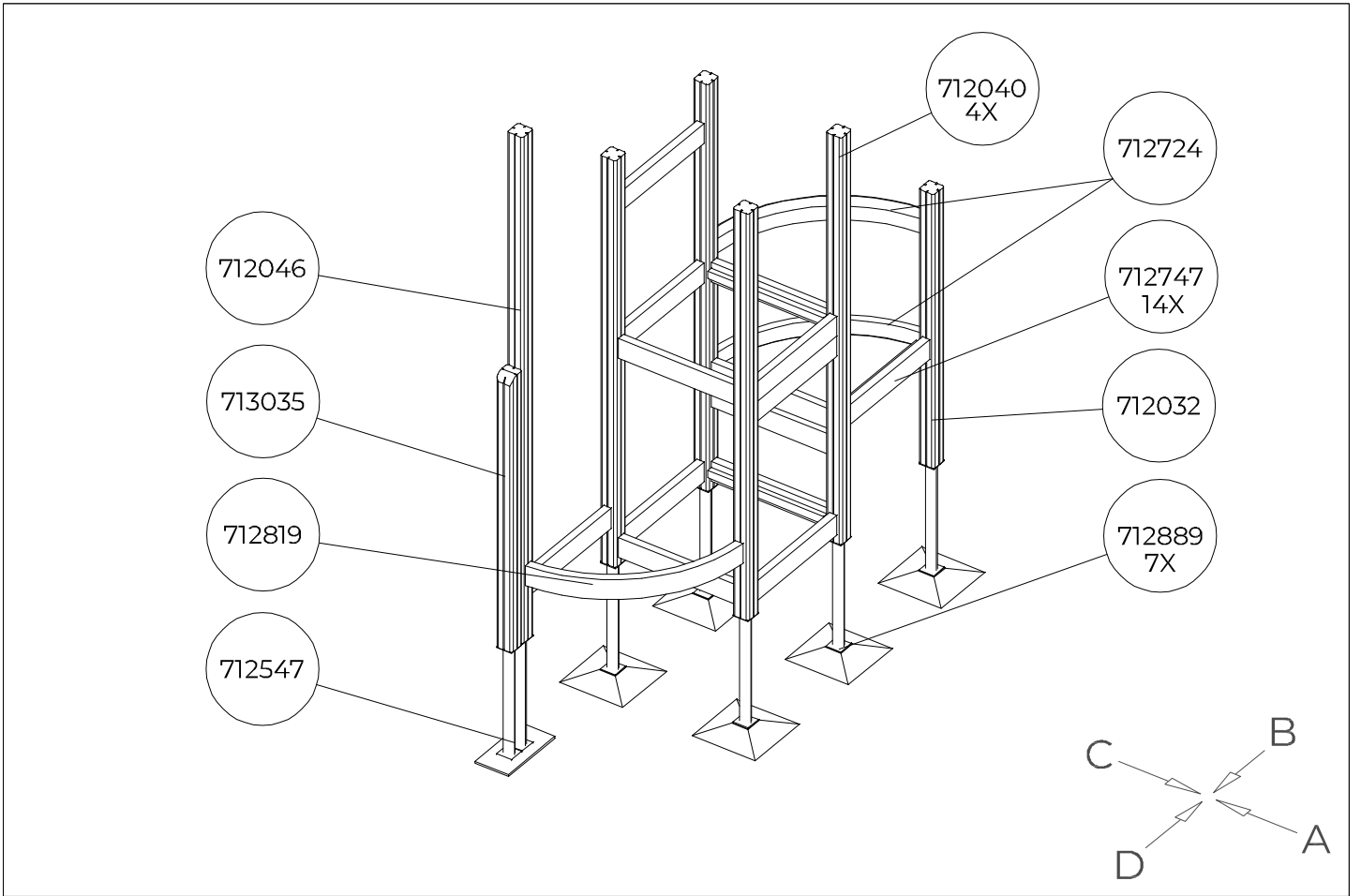


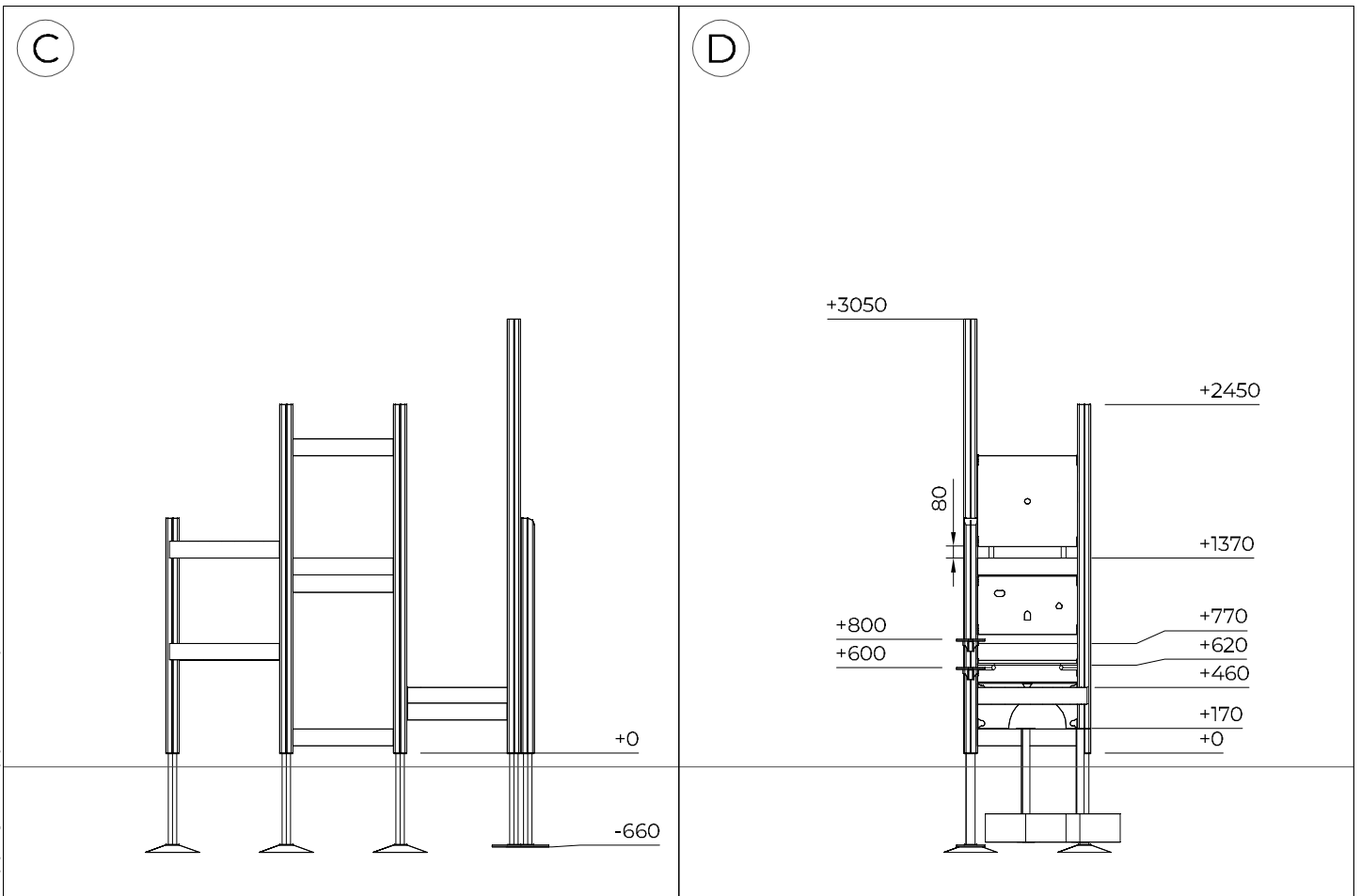
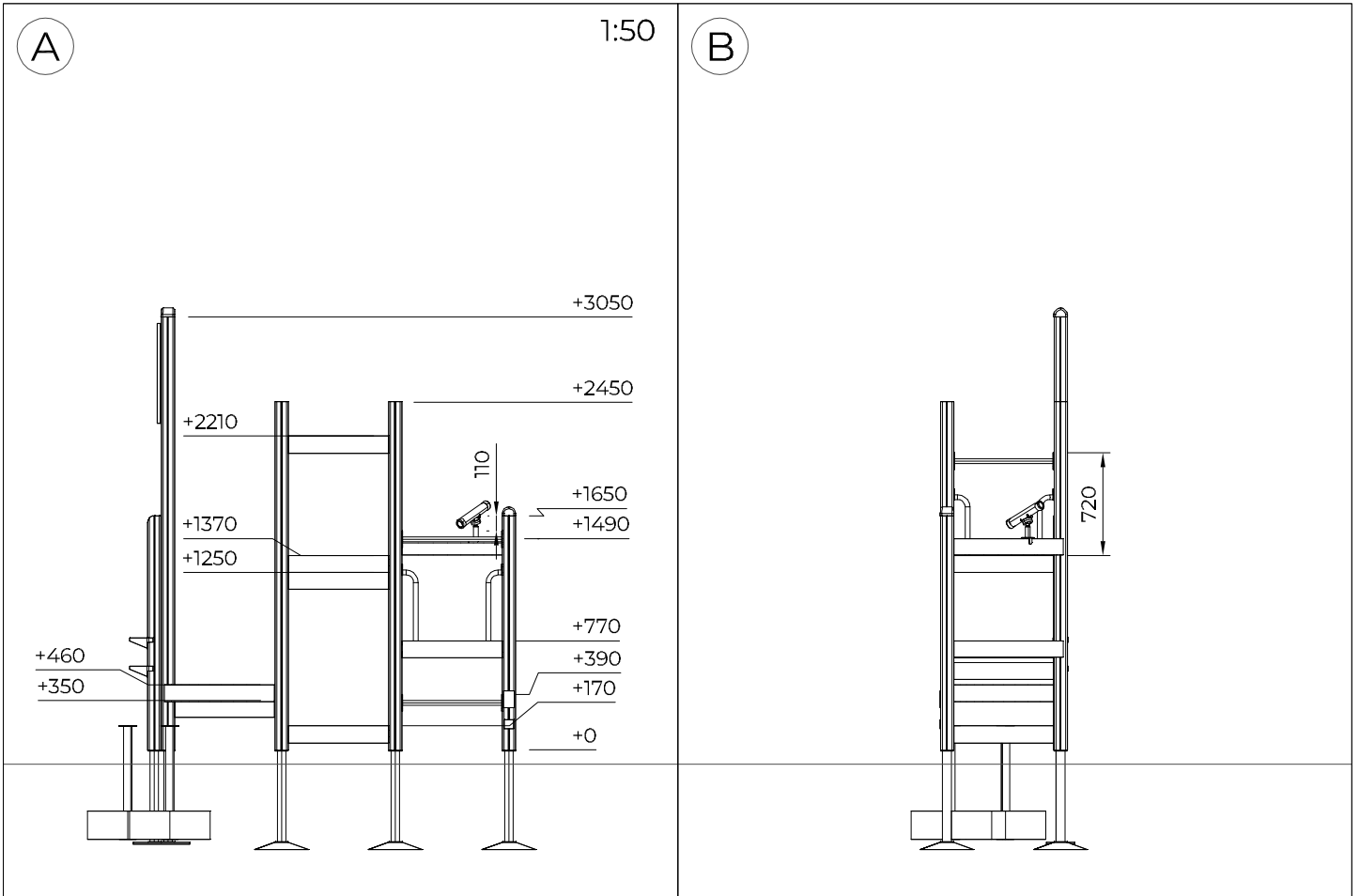
- EN/AS Impact Area 20 m<sup>2</sup>
- - - Falling Space 23 m<sup>2</sup>  
Max Falling Height 1470 mm

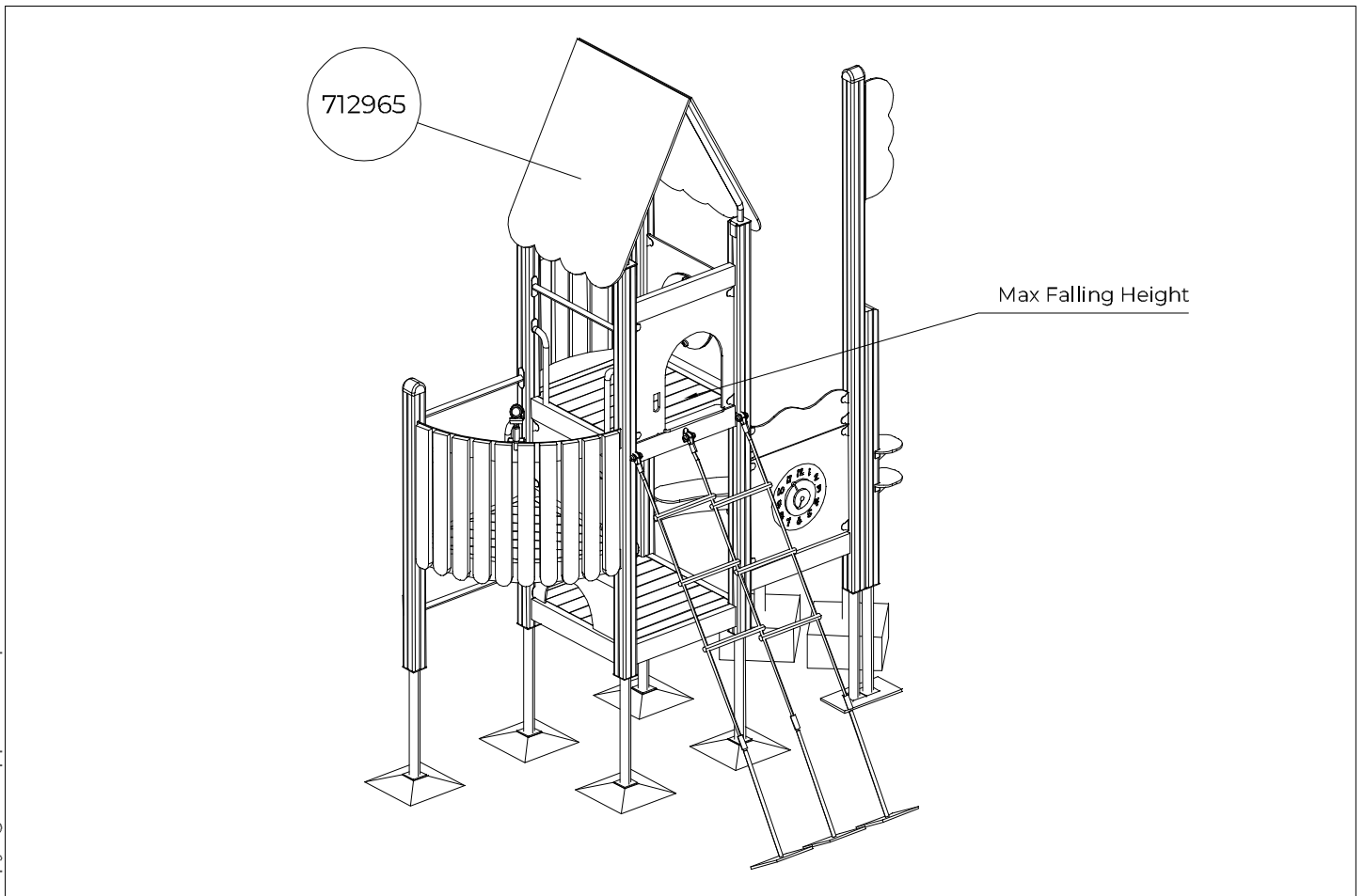
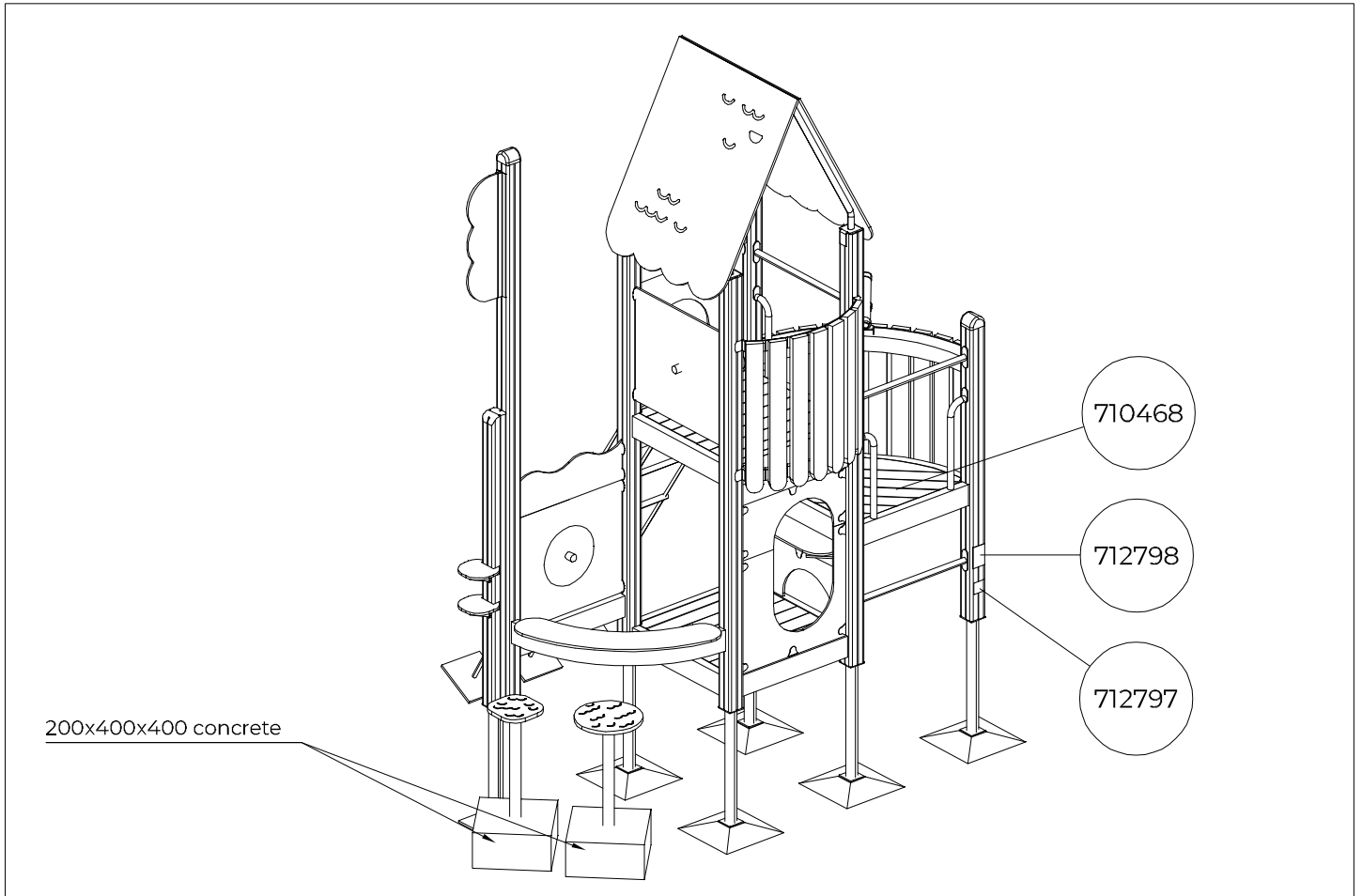


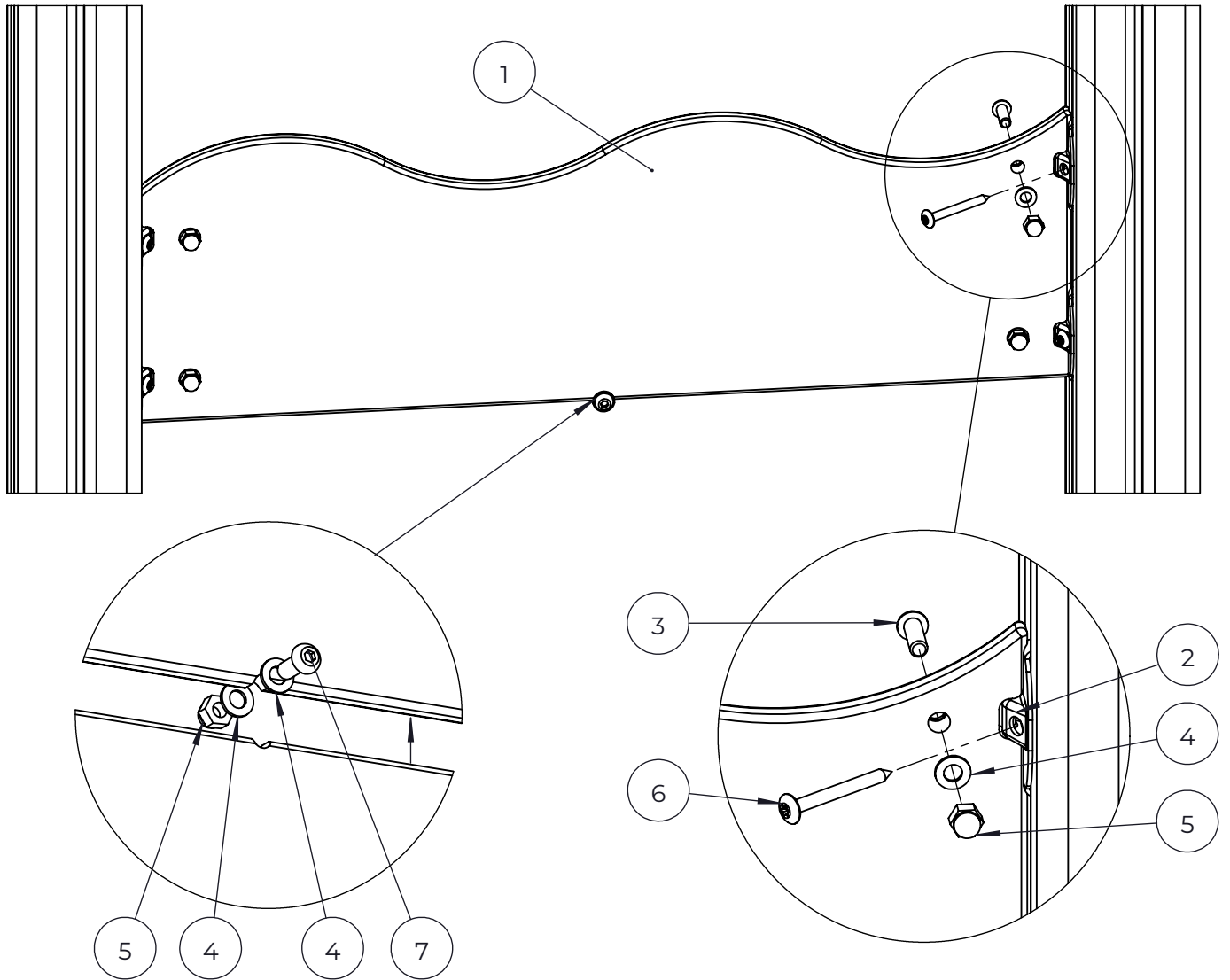




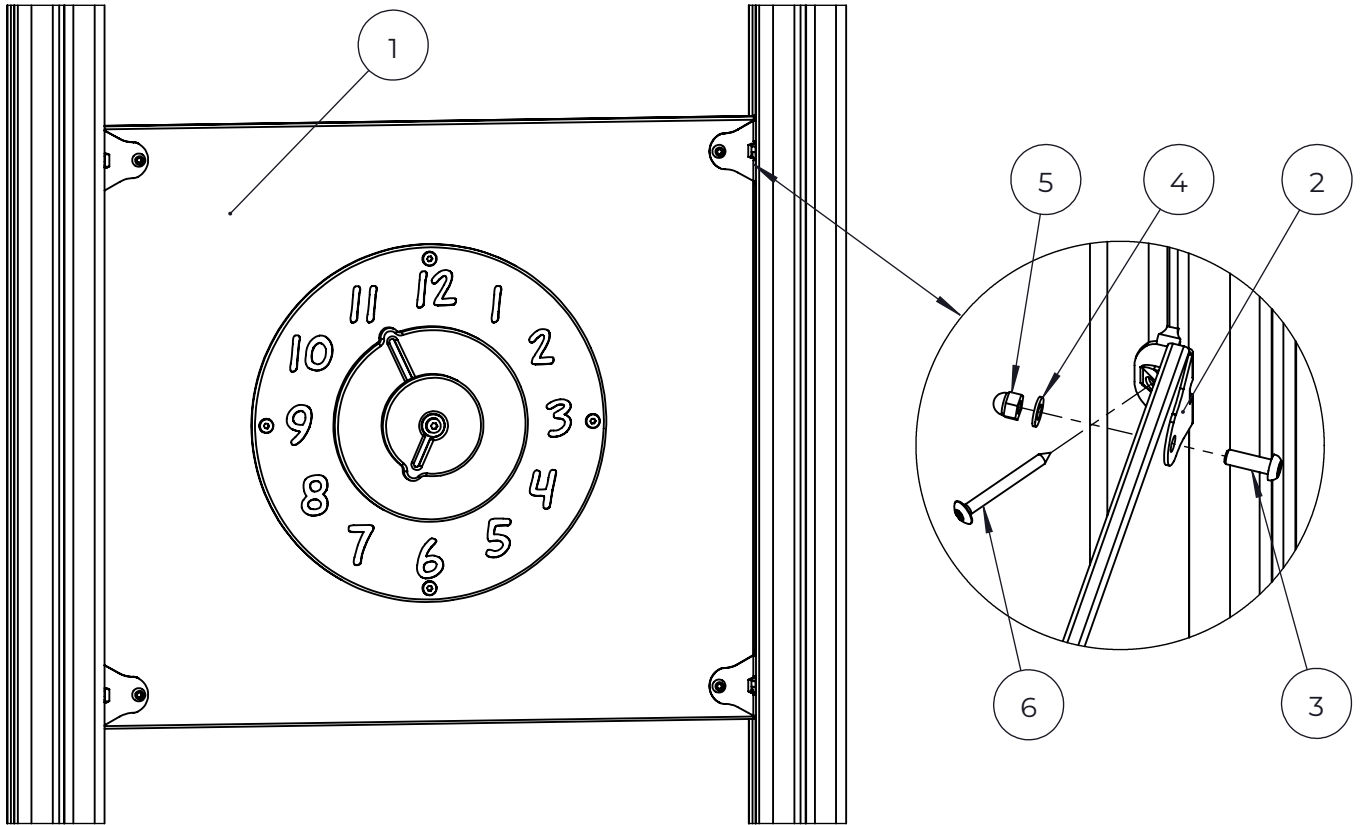




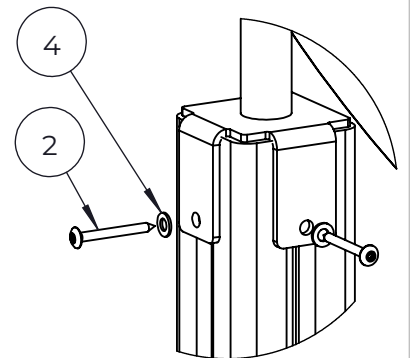
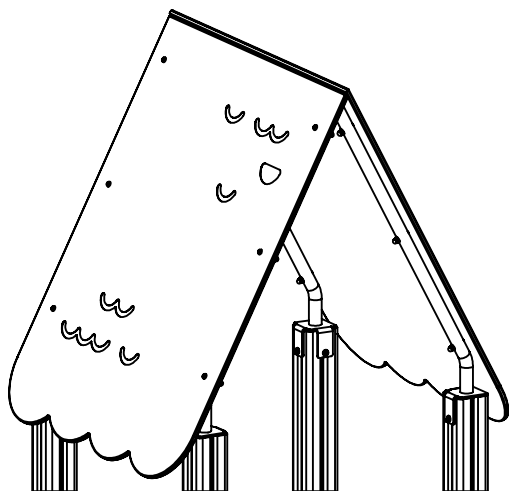
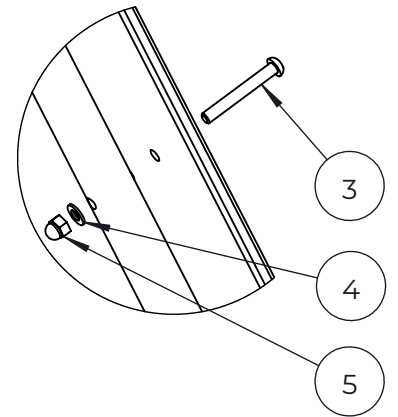
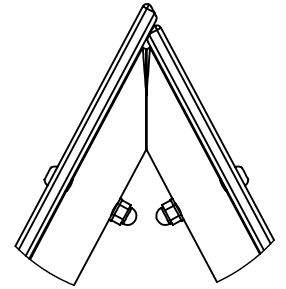
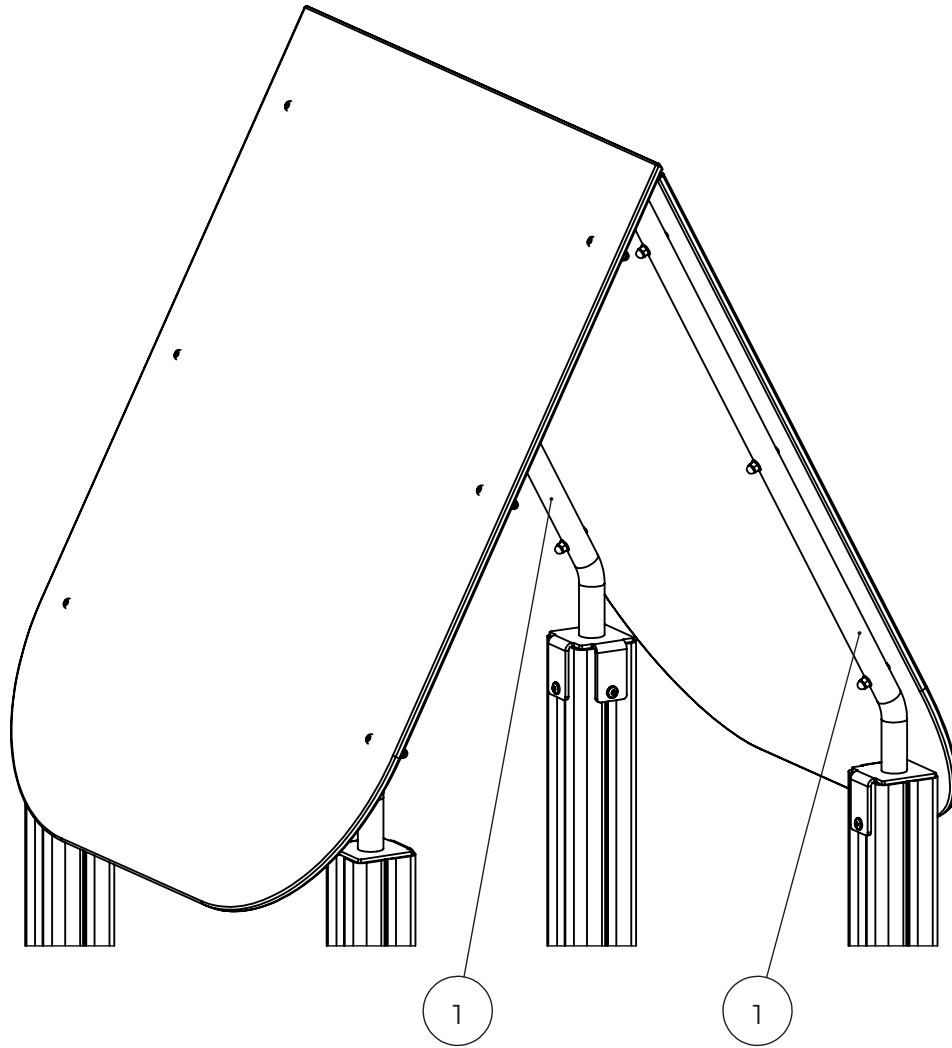




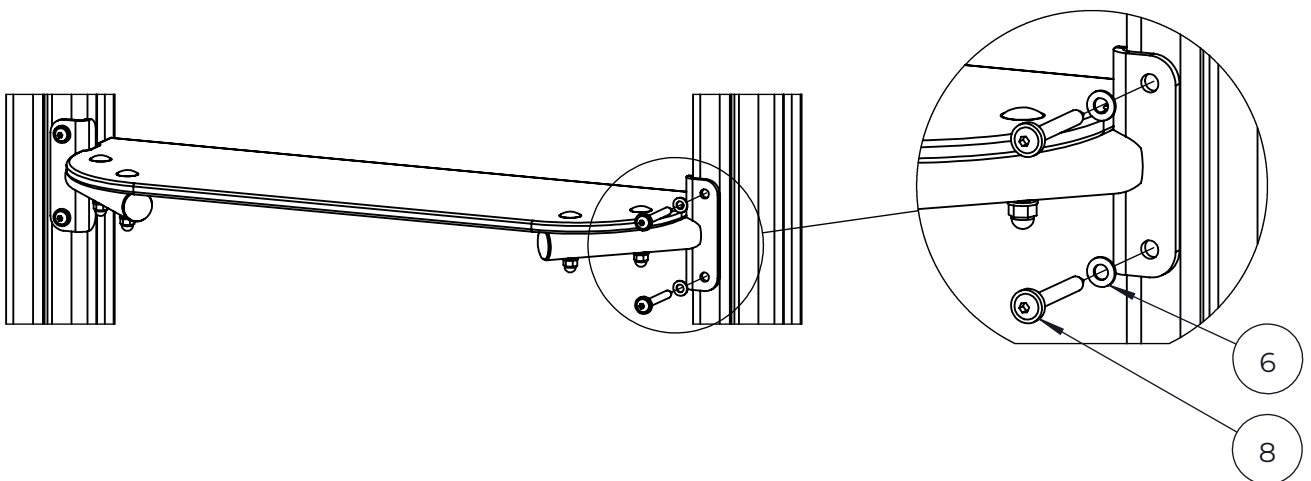
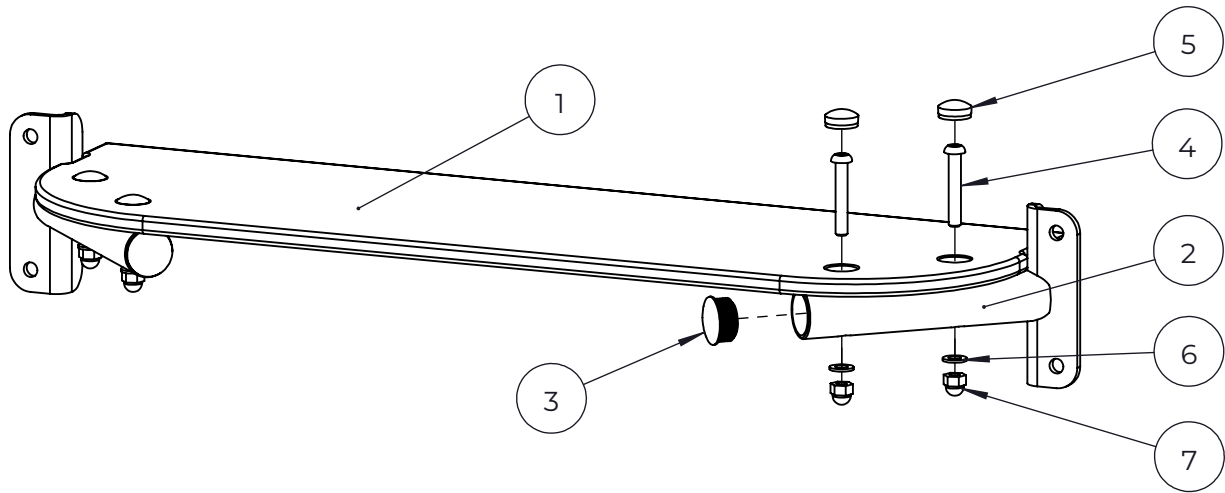
NO.	ITEM CODE			QTY.
1	711674	SKIRT BOARD	12x229x702	1
2	903176	CLAMP		4
3	909850	ALLEN SCREW	M8x25	4
4	909256	WASHER	Ø16/8.4x1.6	6
5	909633	NUT	M8	5
6	980123	SPECIAL SCREW	Ø7x60	4
7	905827	ALLEN SCREW	M8x20	1



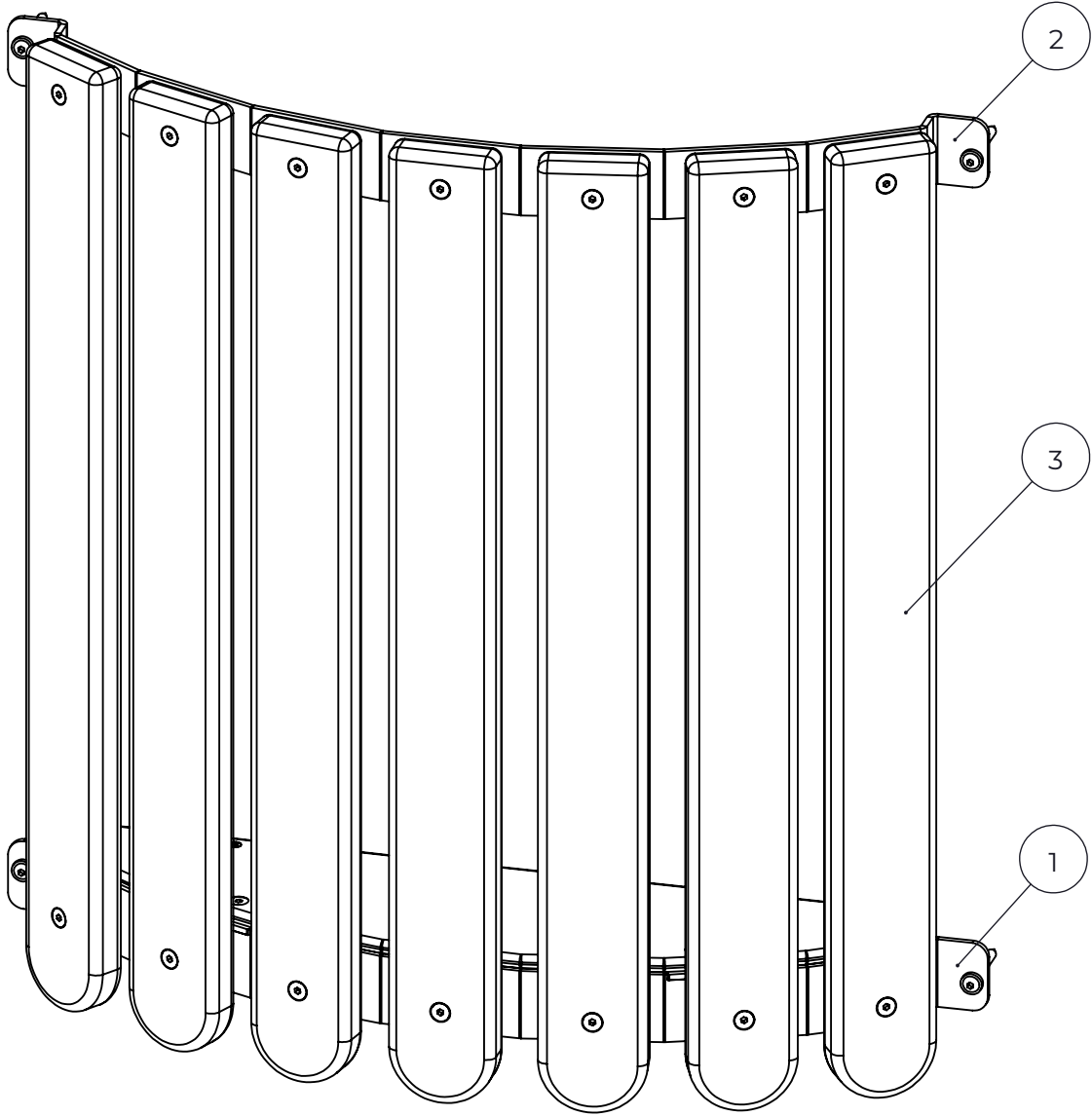
NO.	ITEM CODE			QTY.
1	712241	WALL ELEMENT		1
2	903176	CLAMP		4
3	909850	ALLEN SCREW	M8x25	4
4	909256	WASHER	Ø16/8.4x1.6	4
5	909633	NUT	M8	4
6	980123	SPECIAL SCREW	Ø7x60	4



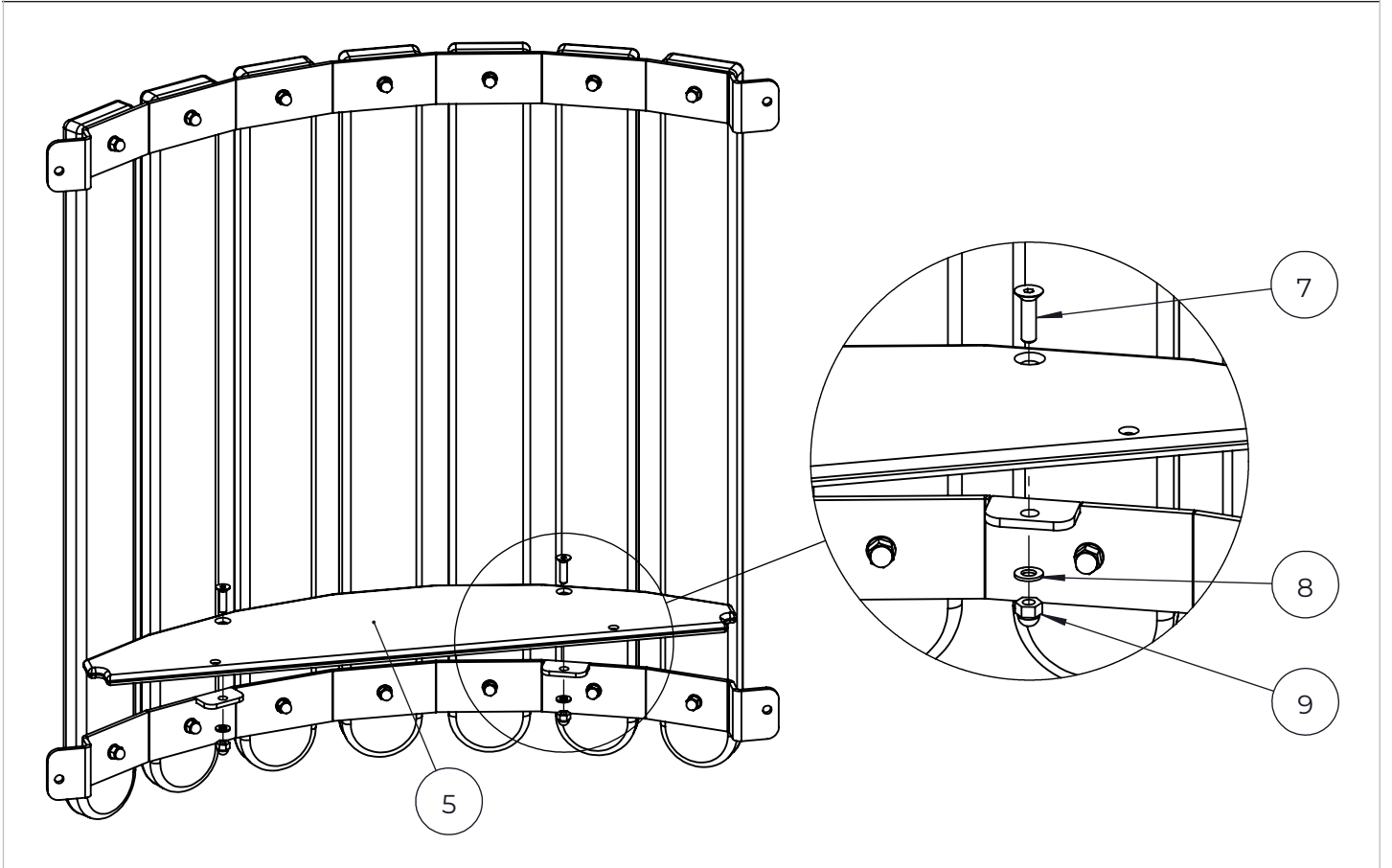
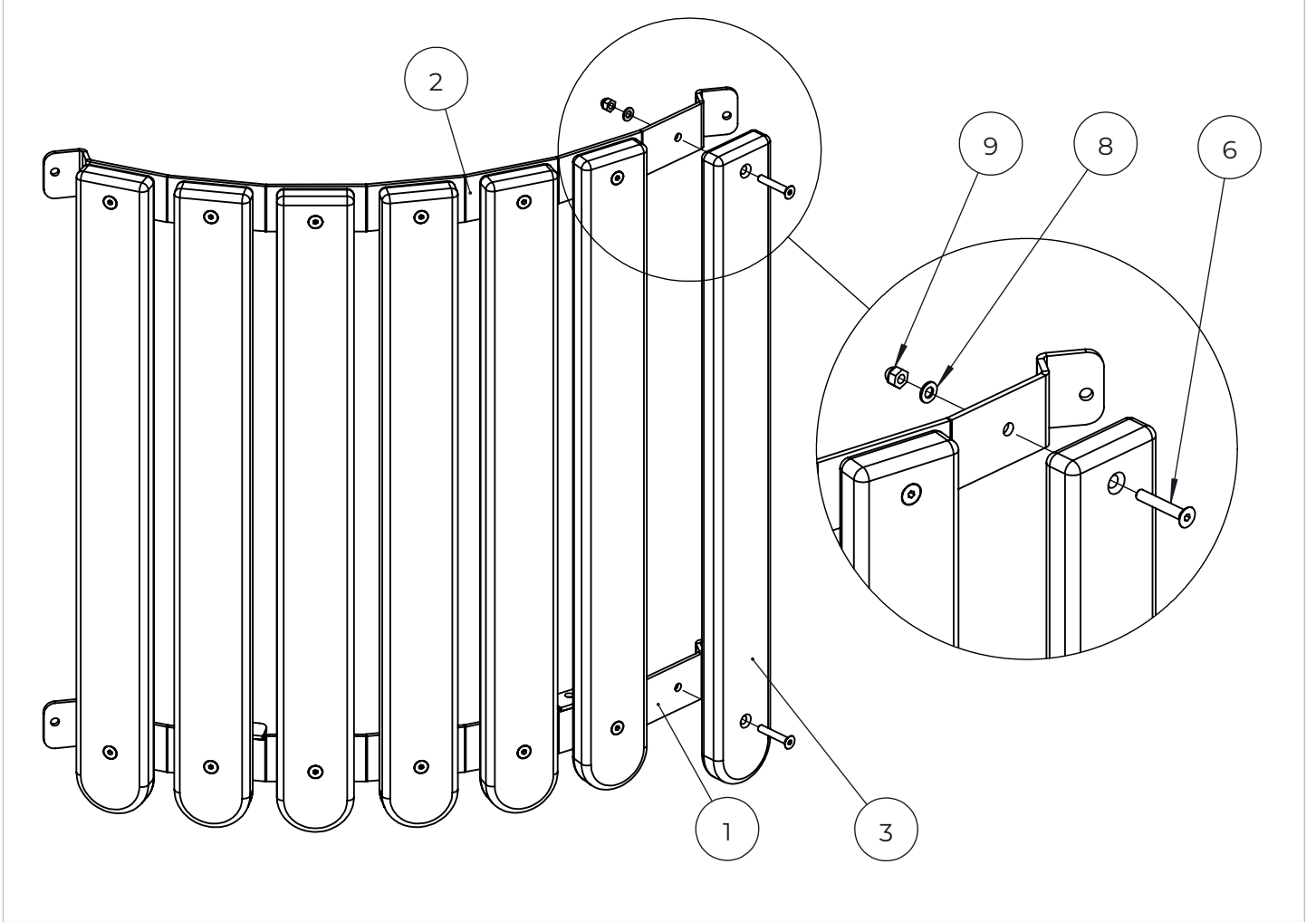
NO.	ITEM CODE			QTY.
1	914559	ROOF FRAME	94x883x950	2
2	980123	SPECIAL SCREW	Ø7x60	8
3	900735	ALLEN SCREW	M8x60	12
4	909256	WASHER	Ø16/8.4x1.6	20
5	909633	NUT	M8	12

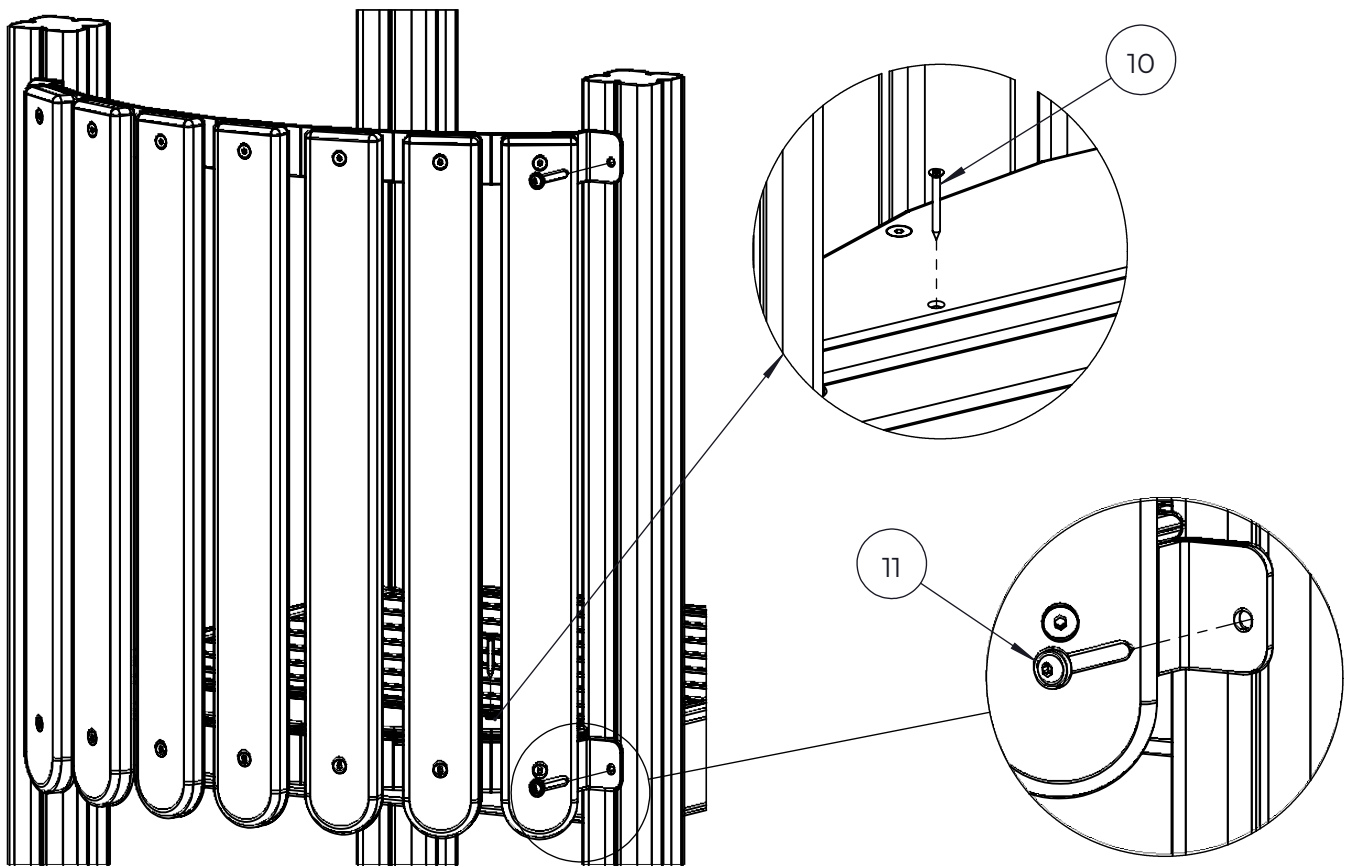
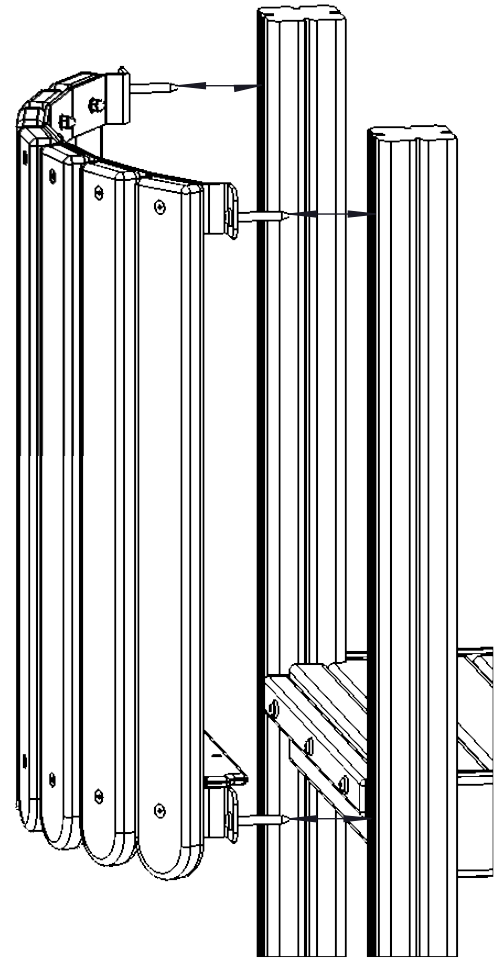
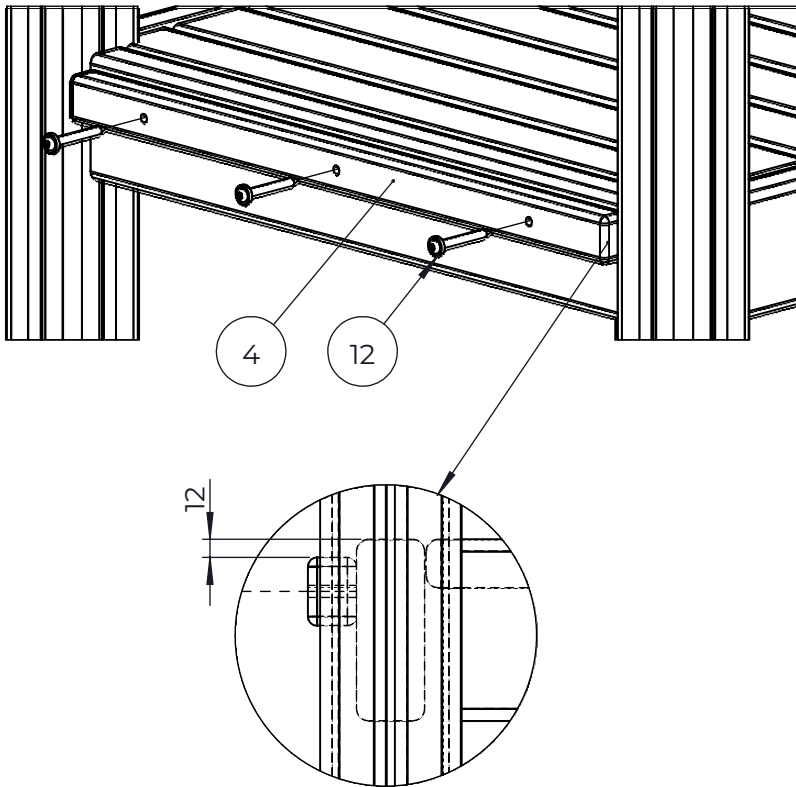


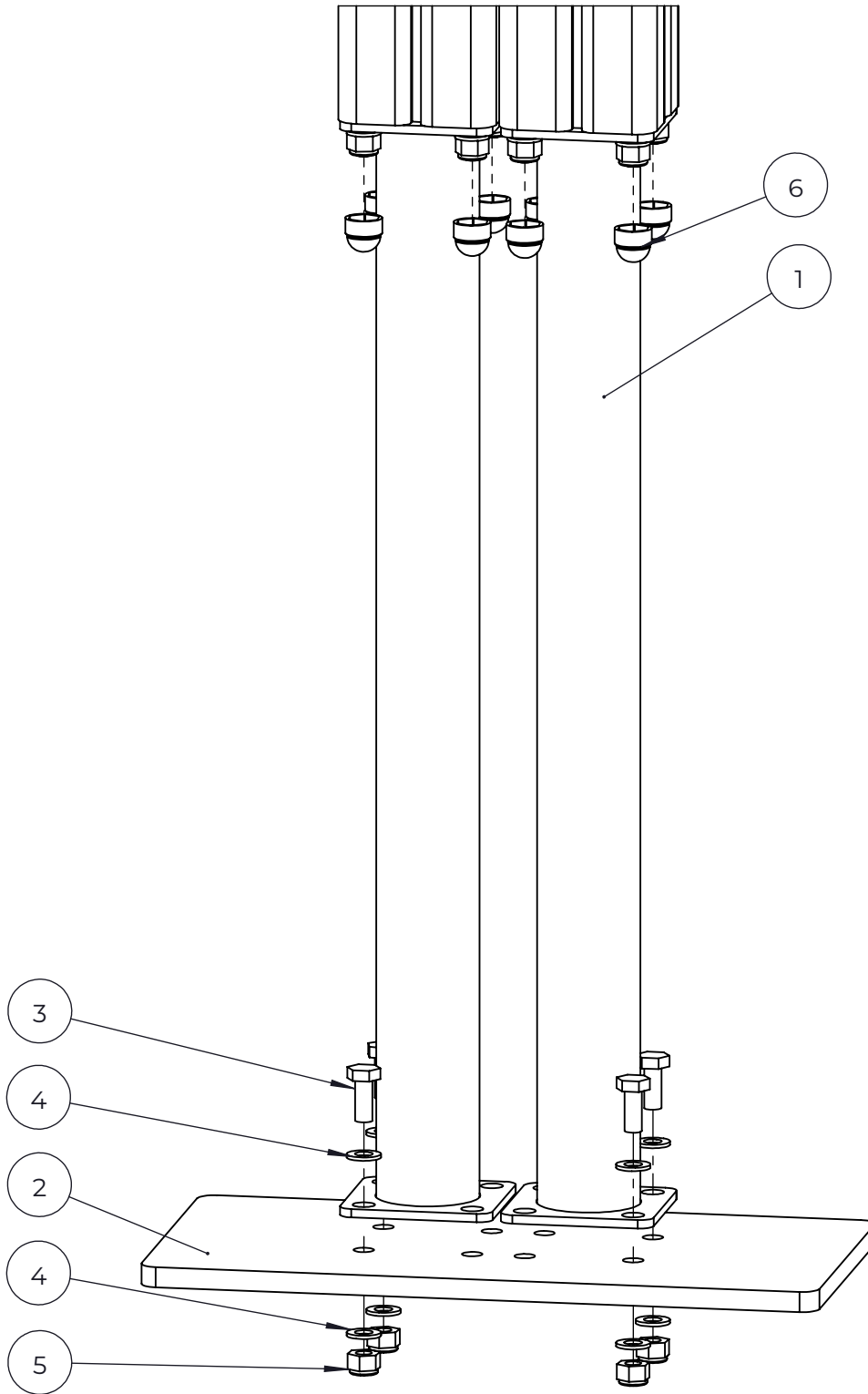
NO.	ITEM CODE			QTY.
1	712325	TABLE	12x206x702	1
2	914513	SUPPORT	120x48x189	2
3	905103	INSIDE PLUG	PT-28/32-H	2
4	900498	ALLEN SCREW	M8x50	4
5	905112	PLASTIC CAP	Ø22	4
6	909256	WASHER	Ø16/8.4x1.6	8
7	909633	NUT	M8	4
8	900240	SPECIAL SCREW	Ø8x70	4



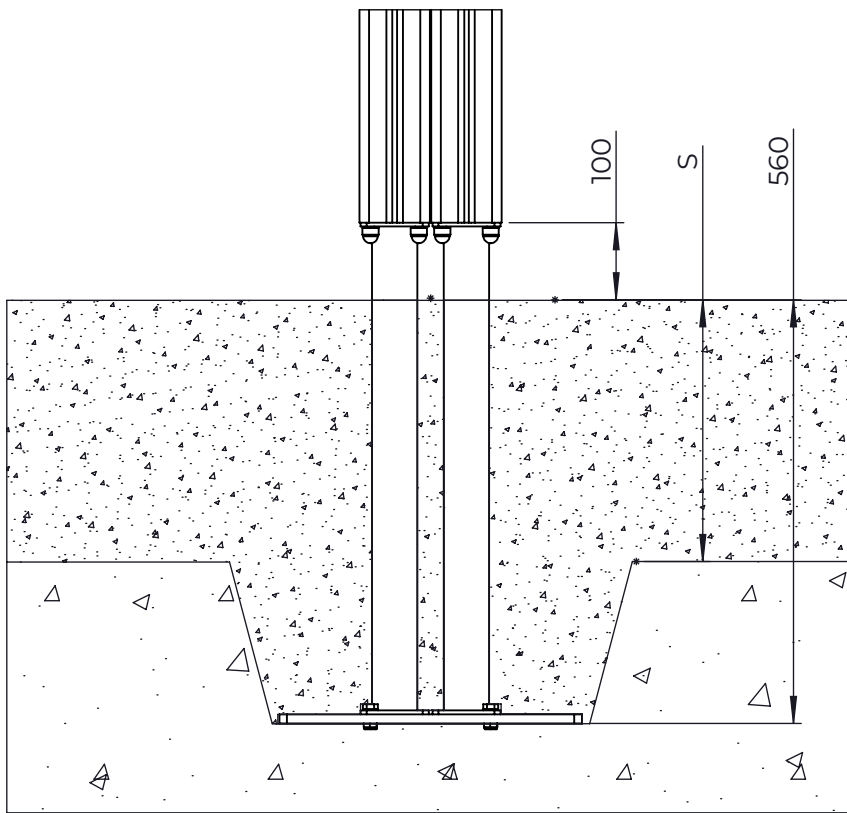
NO.	ITEM CODE			QTY.
1	914417	SUPPORT	60x155x826	1
2	914416	SUPPORT	60x155x826	1
3	710467	LATH	32x90x845	7
4	70644	STRIP	32x45x702	1
5	712053	FLOOR	12x176x732	1
6	909854	COUNTERSUNK SCREW	M8x50	14
7	900348	ALLEN SCREW	M8x30	2
8	909256	WASHER	Ø16/8.4x1.6	16
9	909633	NUT	M8	16
10	902270	SCREW	Ø5x50	2
11	900240	SPECIAL SCREW	Ø8x70	7

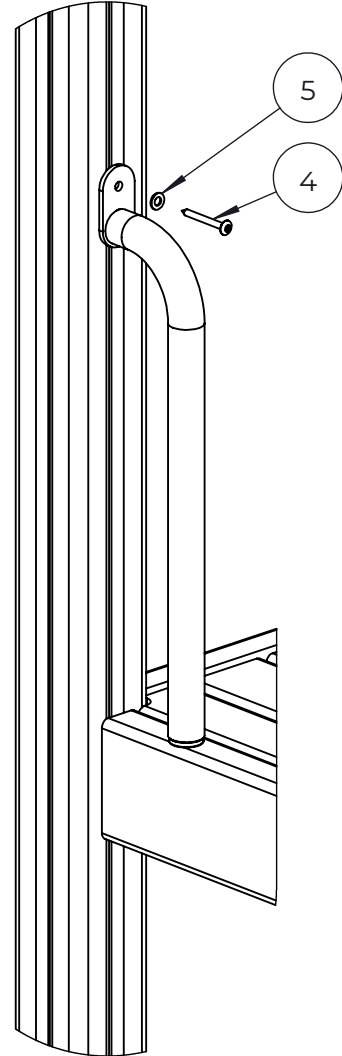
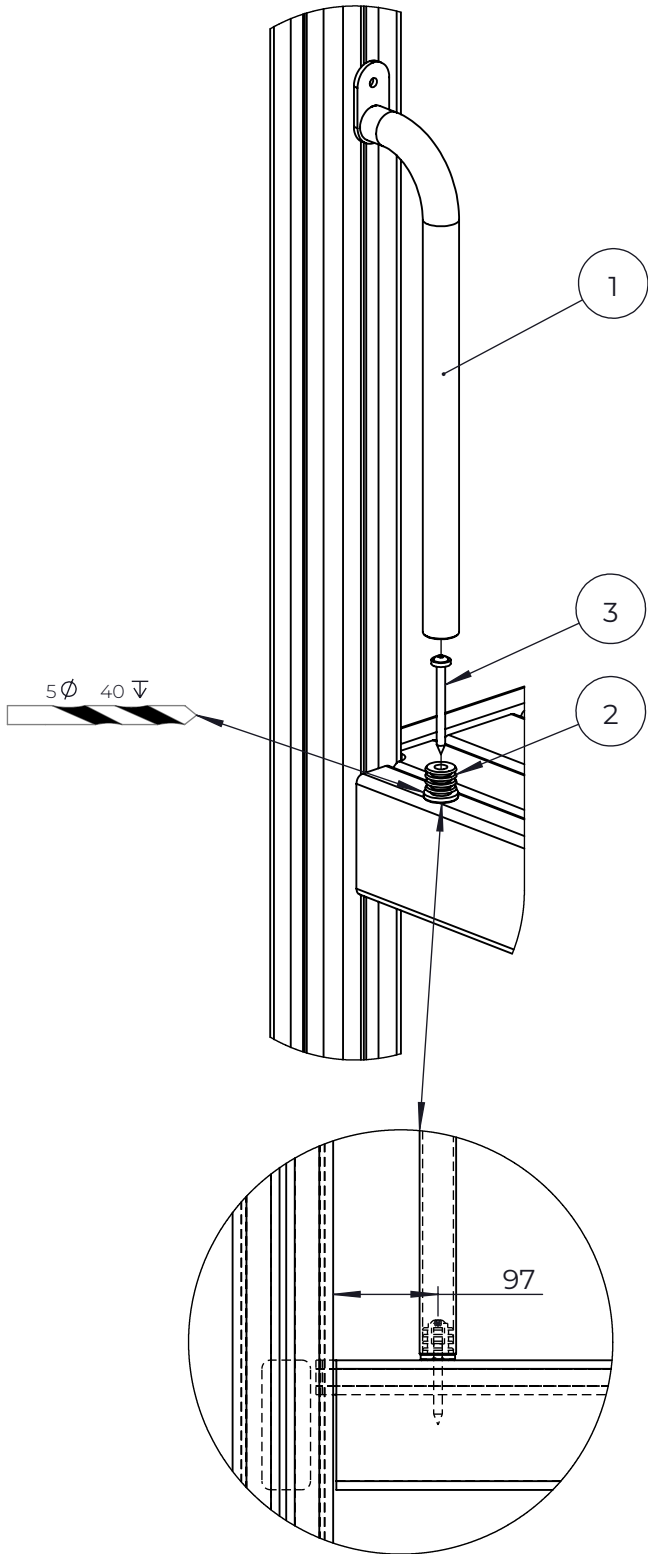




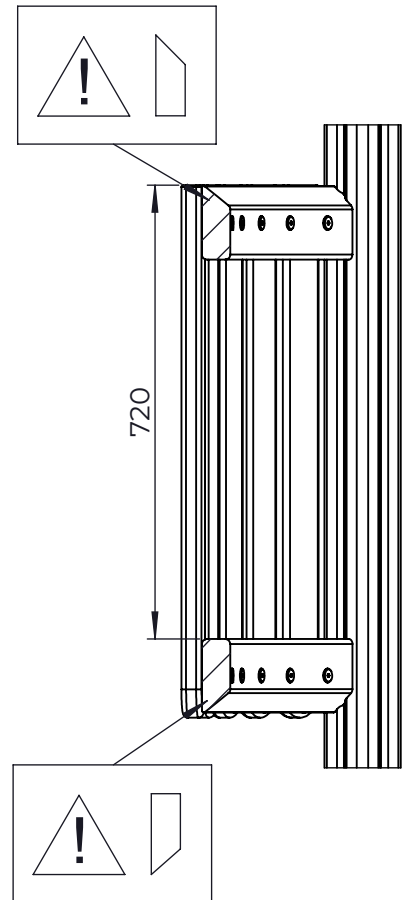
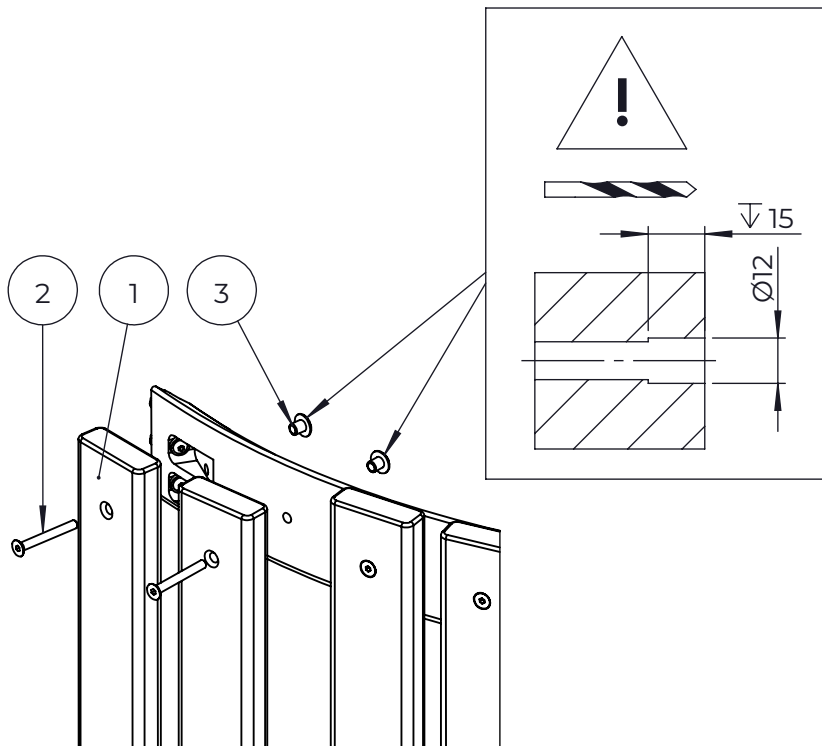
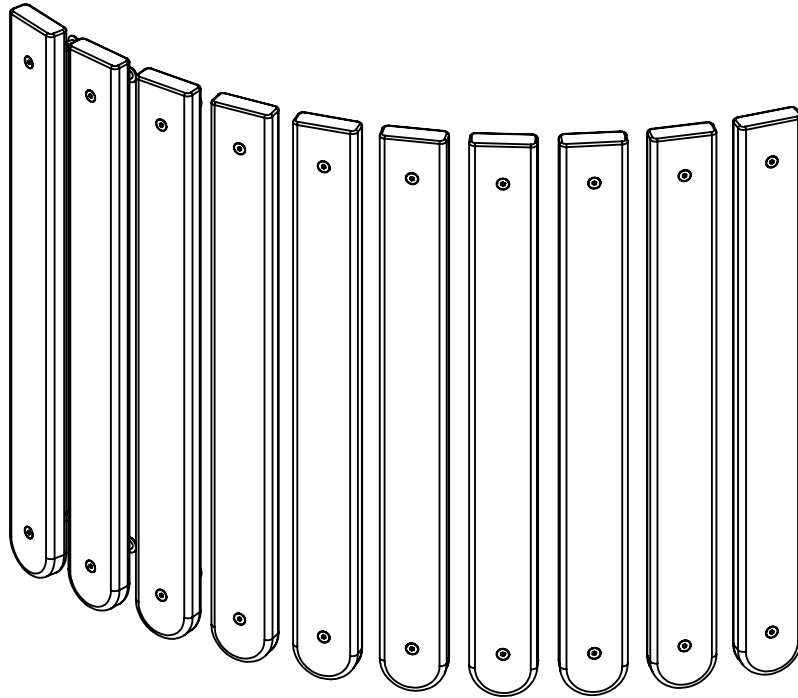


NO.	ITEM CODE			QTY.
1	909511	FOUNDATION TUBE	90x90x650	2
2	712508	FOUNDATION PLATE	12x200x400	1
3	909639	BOLT	M10x25	4
4	909638	WASHER	Ø20 / 10.5	8
5	909637	NUT	M10	4
6	905104	OUTSIDE PLUG	M10	8

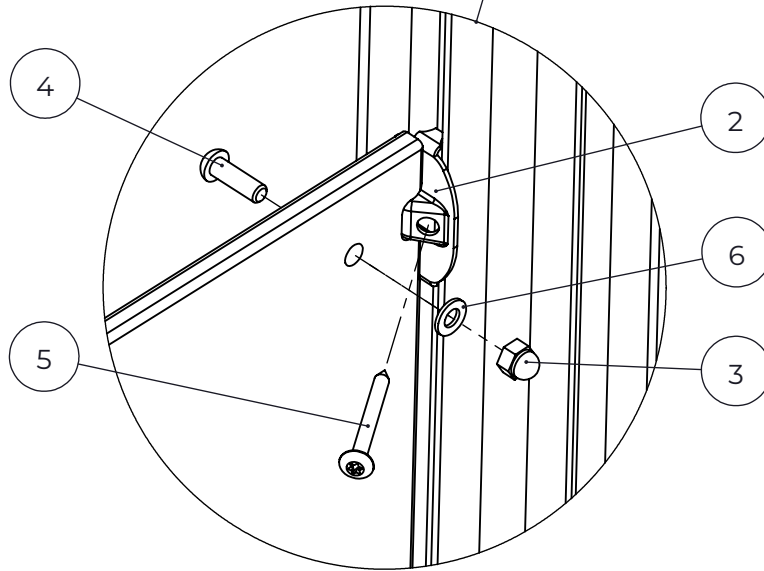
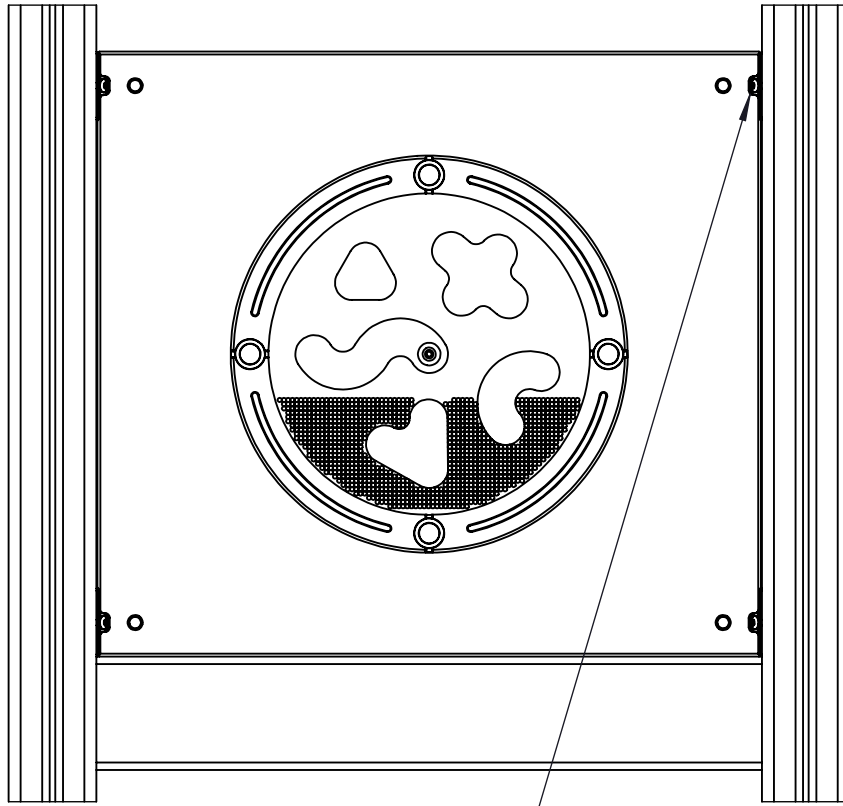




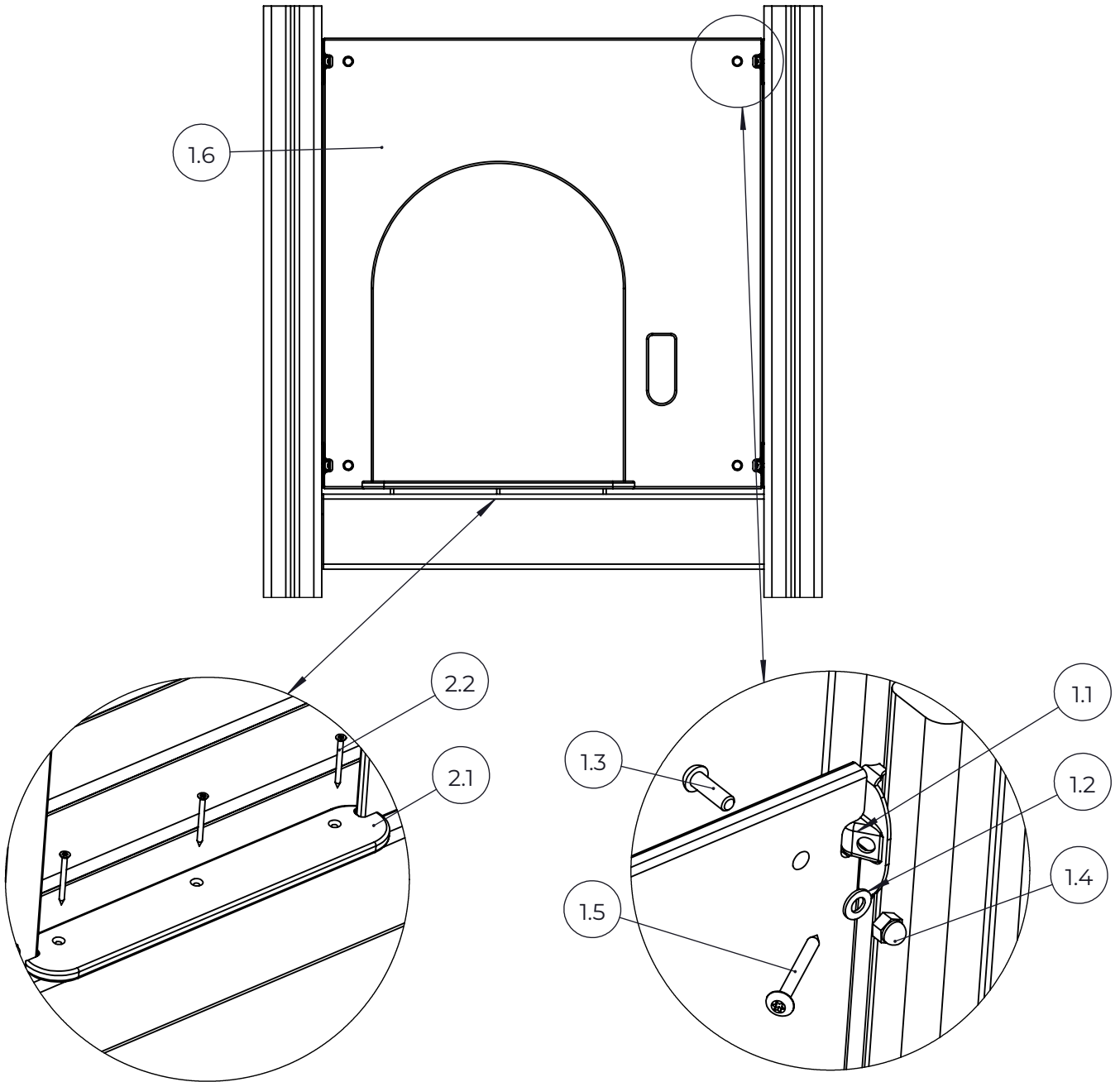
NO.	ITEM CODE			QTY.
1	914172	HAND GRIP	40x114x540	1
2	908057	CONNECTOR	Ø32/29-L5/30	1
3	903093	SPECIAL SCREW	Ø8x90	1
4	980123	SPECIAL SCREW	Ø7x60	1
5	909256	WASHER	Ø16/8.4x1.6	1



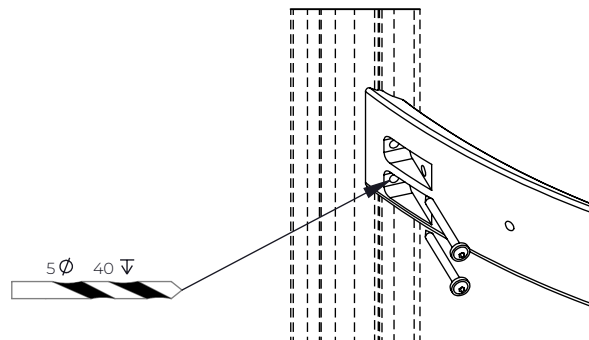
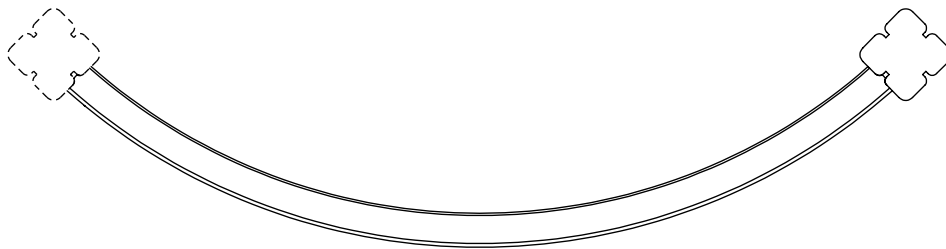
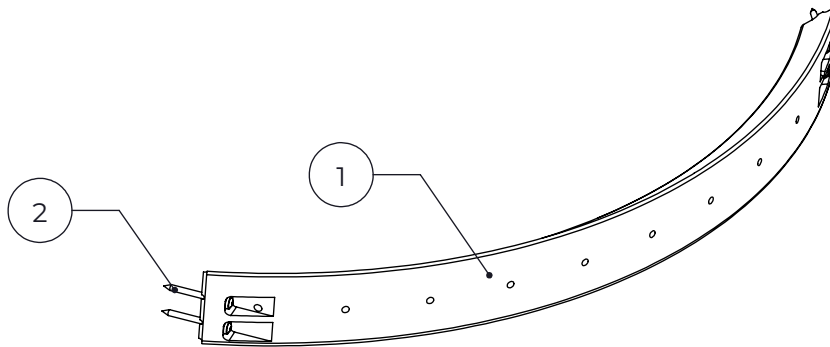
NO.	ITEM CODE			QTY.
1	710471	LATH	32x95x845	10
2	911808	COUNTERSUNK SCREW	M8x70	20
3	914858	SPECIAL NUT	M8x12	20



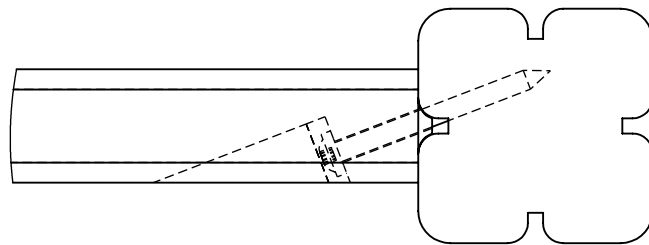
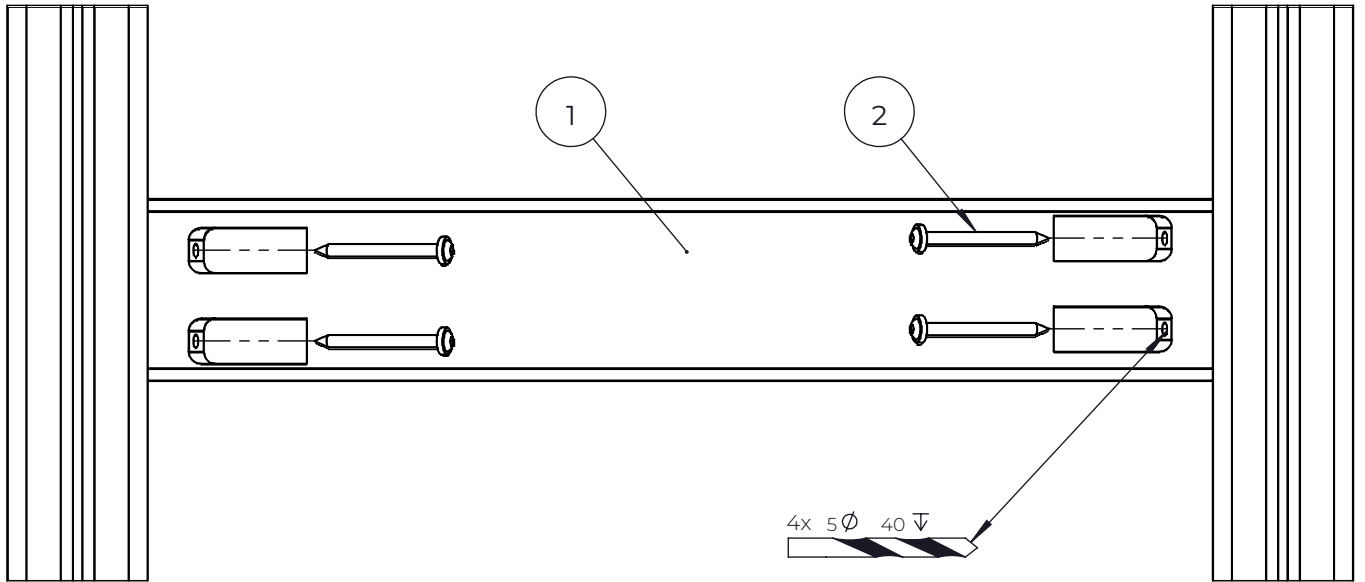
NO.	ITEM CODE			QTY.
1	712288	WALL ELEMENT	640x702	1
2	903176	CLAMP		4
3	909633	NUT	M8	4
4	909850	ALLEN SCREW	M8x25	4
5	980123	SPECIAL SCREW	Ø7x60	4
6	909256	WASHER	Ø16/8.4x1.6	4



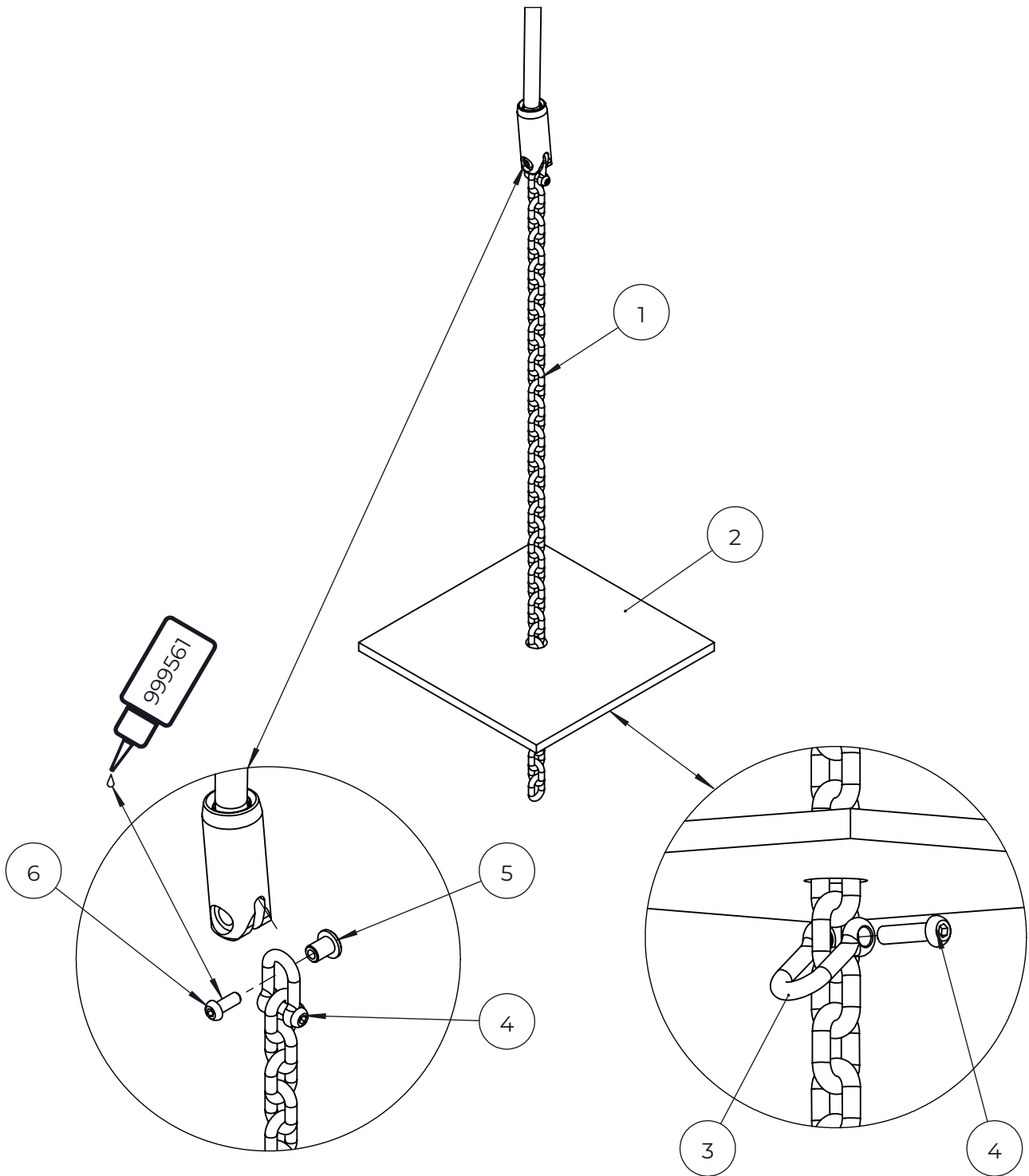
NO.	ITEM CODE			QTY.
1	712681	ACCESS WALL	12x702x720	1
1.1	903176	CLAMP		4
1.2	909256	WASHER	Ø16/8.4x1.6	4
1.3	909850	ALLEN SCREW	M8x25	4
1.4	909633	NUT	M8	4
1.5	980123	SPECIAL SCREW	Ø7x60	4
1.6	712680	ACCESS WALL PLATE	12x702x720	1
2	713201	SILL PLATE MODULE	70x436	1
2.1	713010	SILL PLATE	12x70x4	1
2.2	980100	SCREW	Ø5x60	3



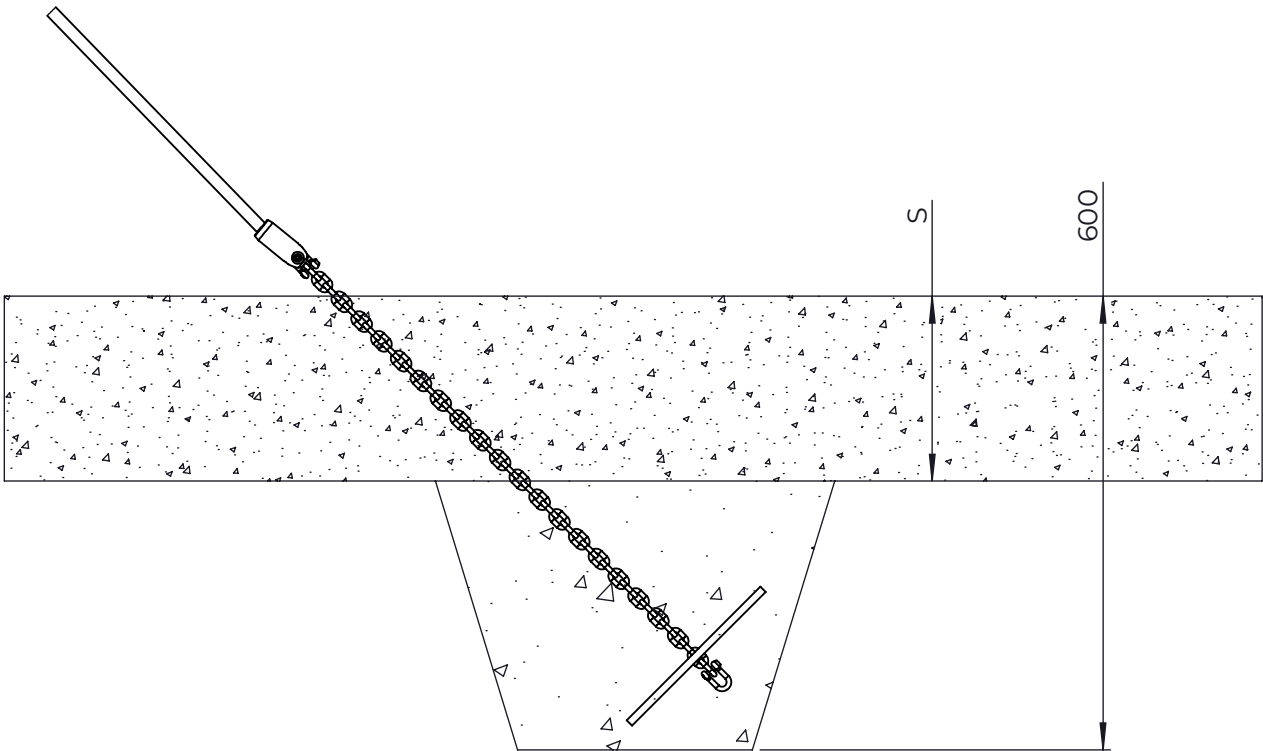
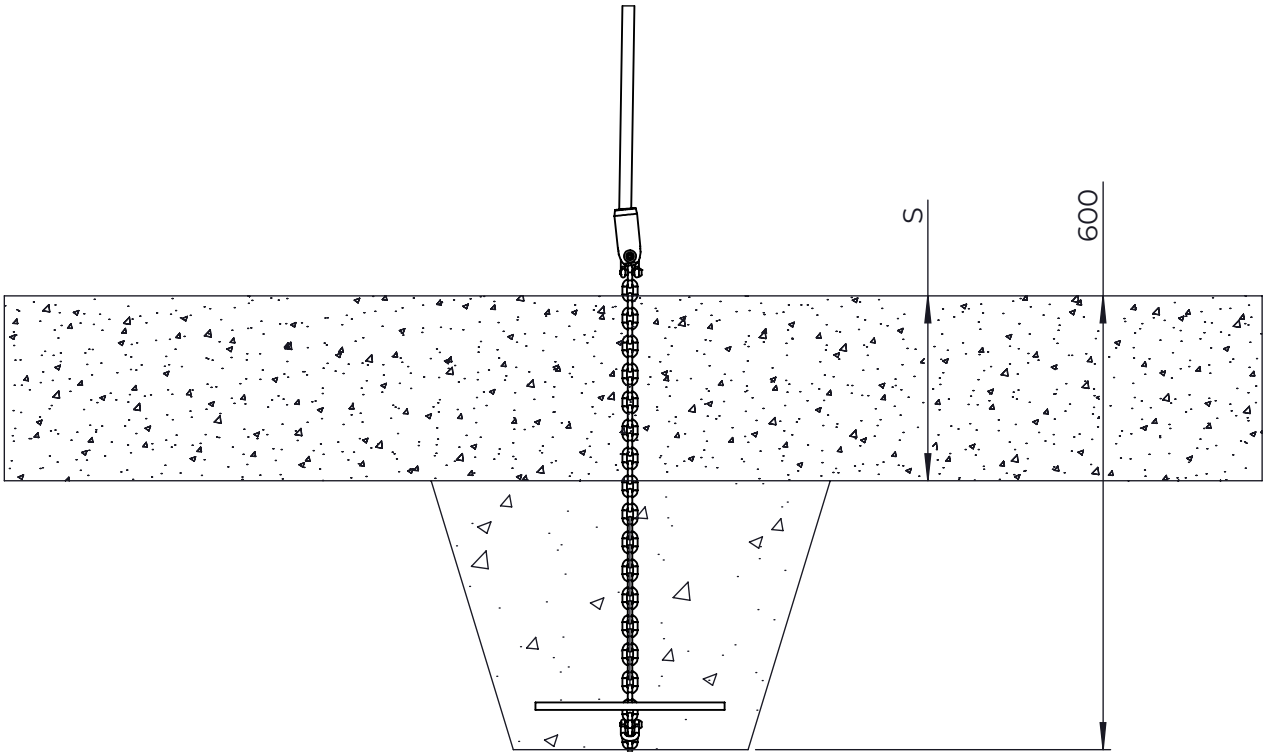
NO.	ITEM CODE			QTY.
1	710469	ARCH ELEMENT	45x120x1096	1
2	903093	SPECIAL SCREW	Ø8x90	4

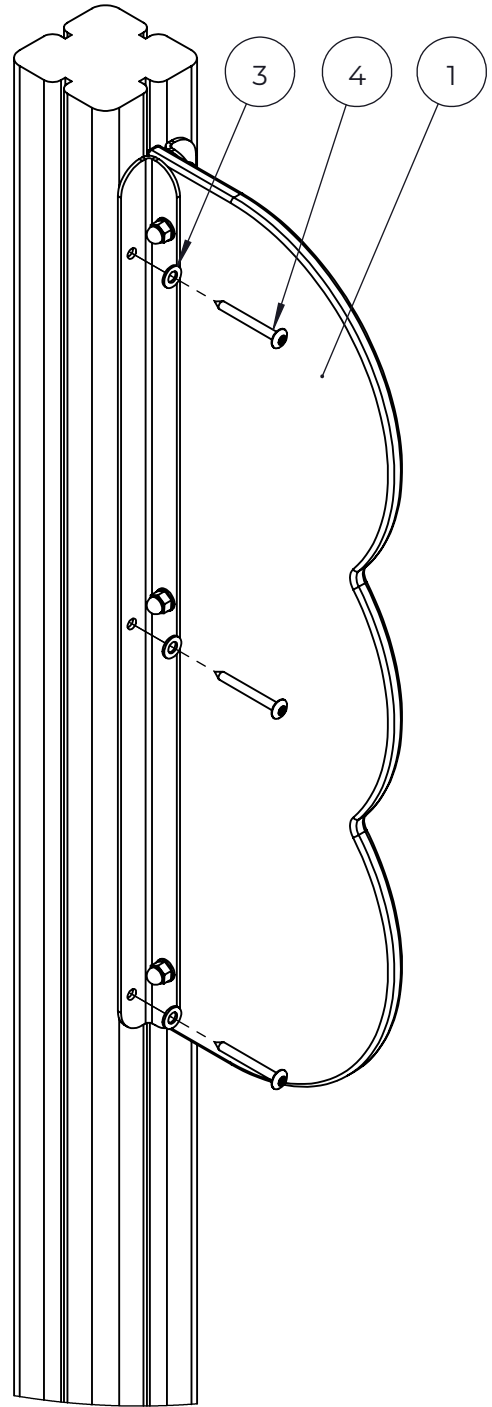
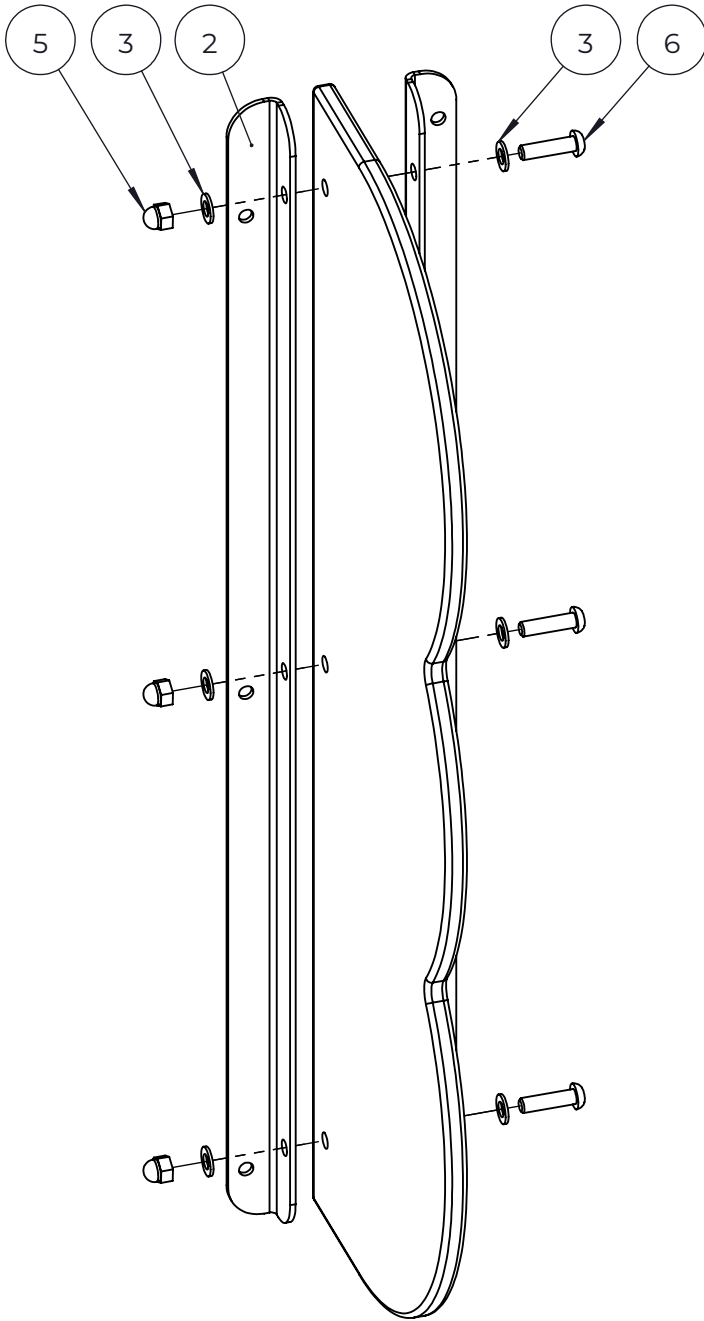


NO.	ITEM CODE			QTY.
1	712079	BOOM	45x120x715	1
2	903093	SPECIAL SCREW	Ø8x90	4

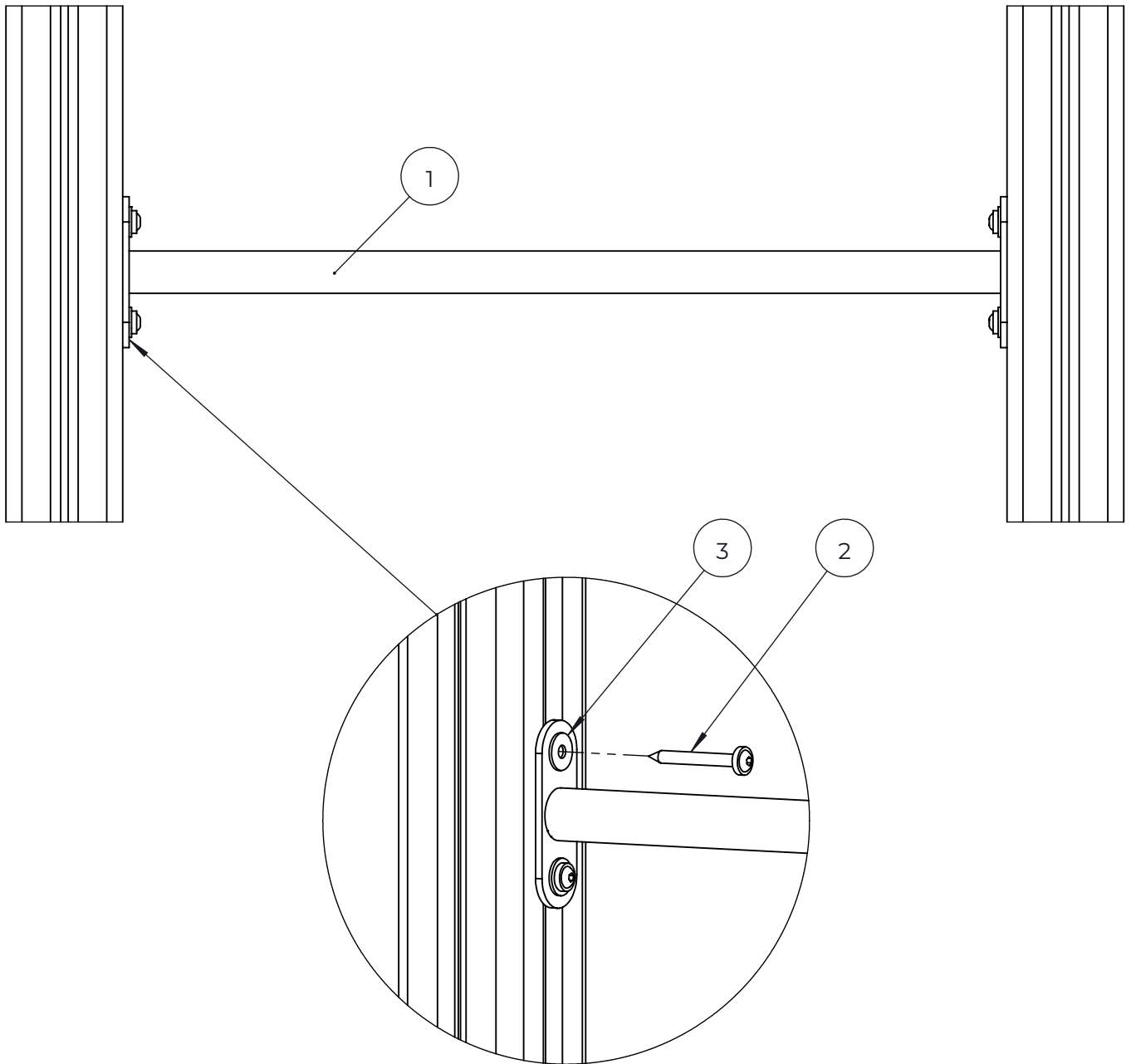


NO.	ITEM CODE			QTY.
1	914905	CHAIN		1
2	712587	PLATE	250x250x10	1
3	909636	SHACKEL	M6x38x24	2
4	906985	ALLEN SCREW	M6x25	2
5	900850	SPECIAL NUT	M6	1
6	909310	ALLEN SCREW	M6 x 16	1

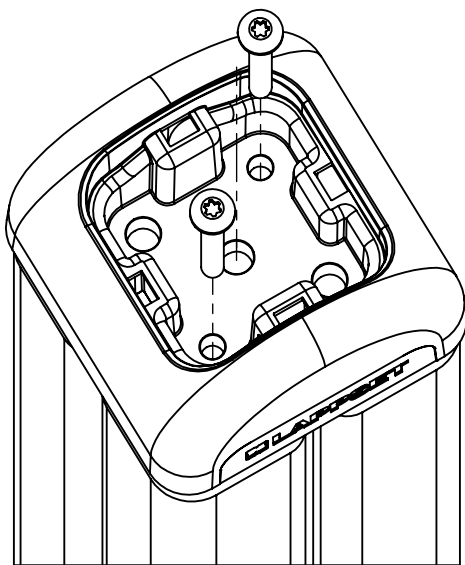
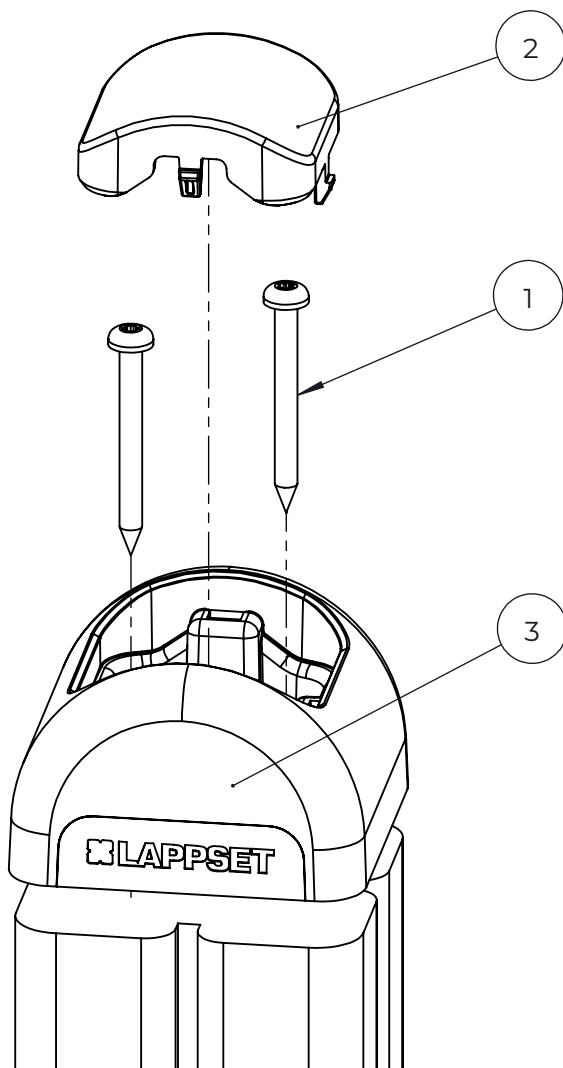




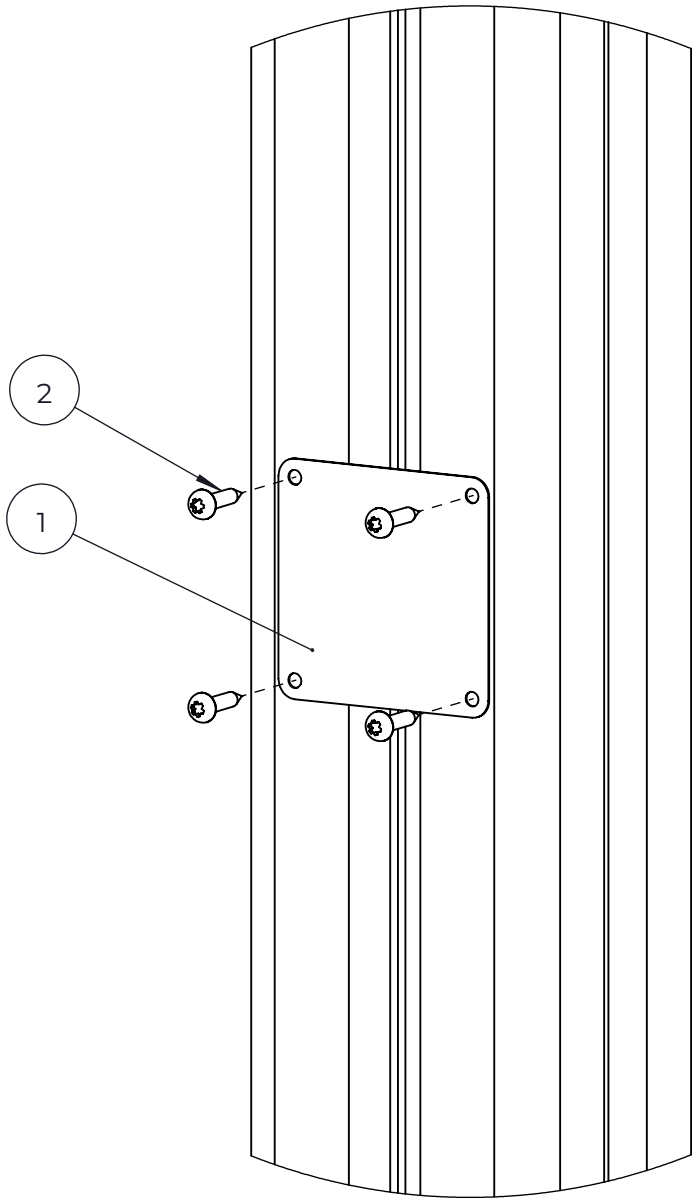
NO.	ITEM CODE			QTY.
1	711678	PLATE	12x230x702	1
2	914941	FLAG SUPPORT	29x29x700	2
3	909256	WASHER	Ø16/8.4x1.6	12
4	980123	SPECIAL SCREW	Ø7x60	6
5	909633	NUT	M8	3
6	909852	ALLEN SCREW	M8x30	3



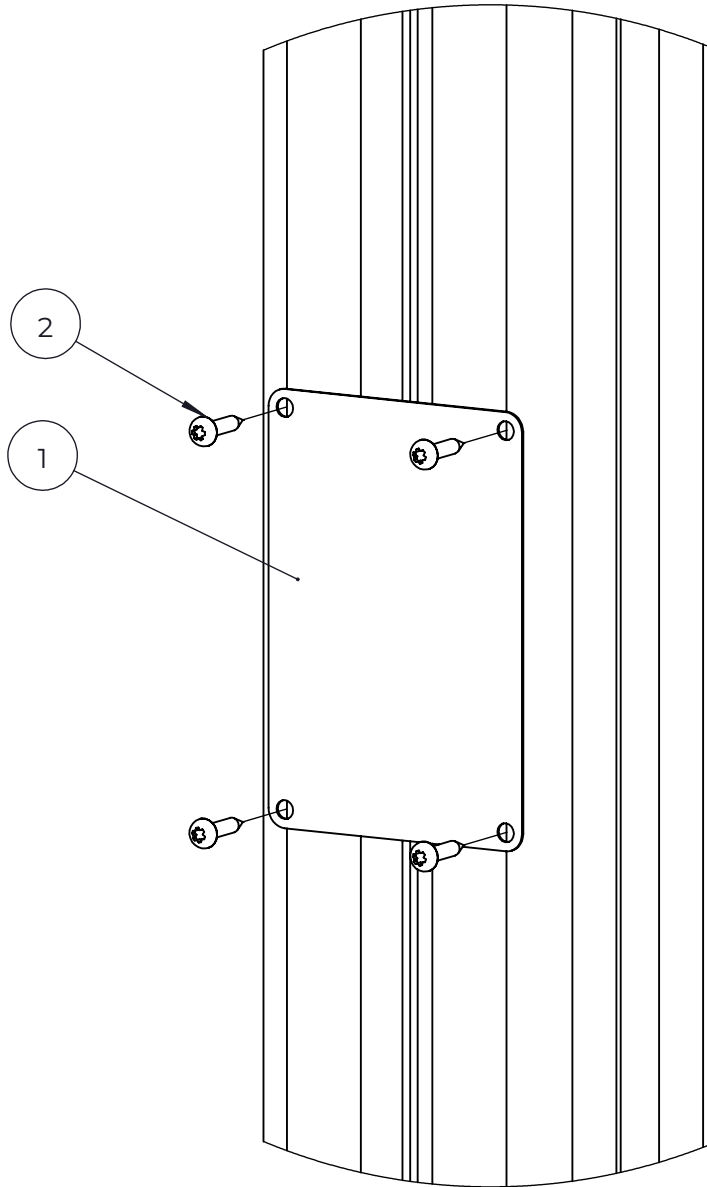
NO.	ITEM CODE			QTY.
1	914099	BAR ELEMENT	40x120x704	1
2	900240	SPECIAL SCREW	Ø8x70	4
3	980152	WASHER	Ø24/8.4x2	4



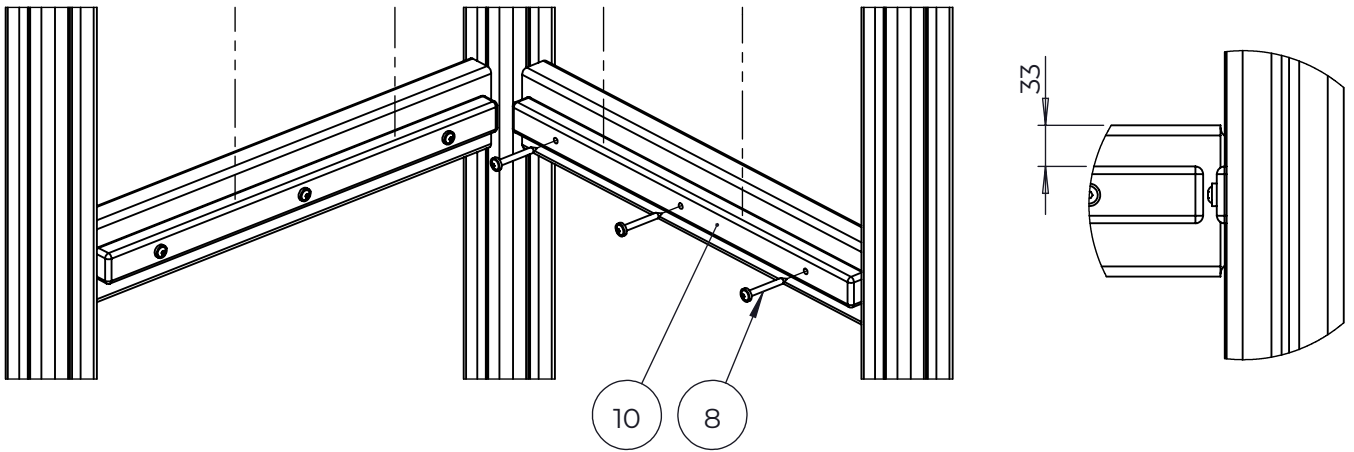
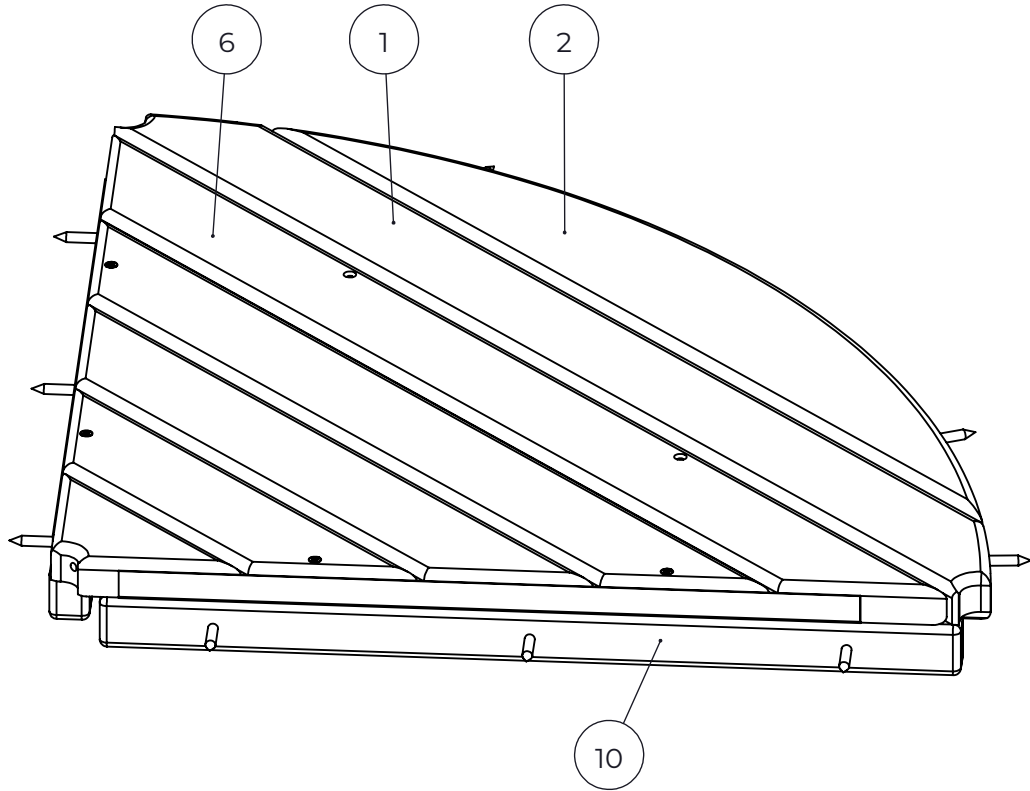
NO.	ITEM CODE			QTY.
1	980131	SCREW	Ø6x60	2
2	915379	TOP HAT COVER	67,5x67,6x34	1
3	915378	TOP HAT BASE	95x95x60	1



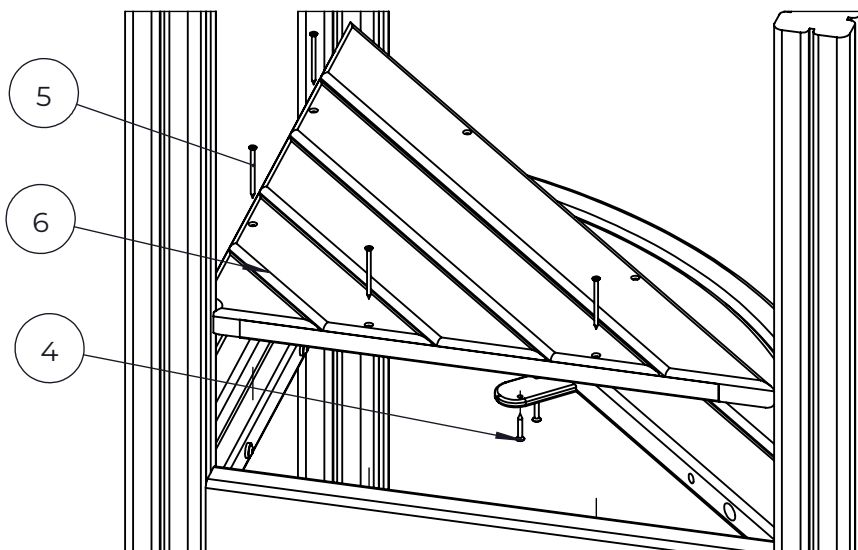
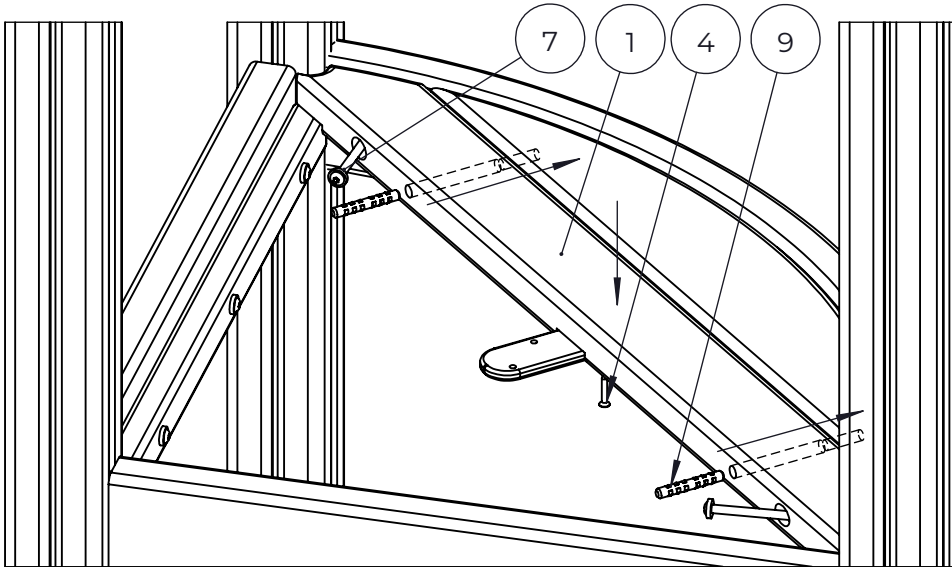
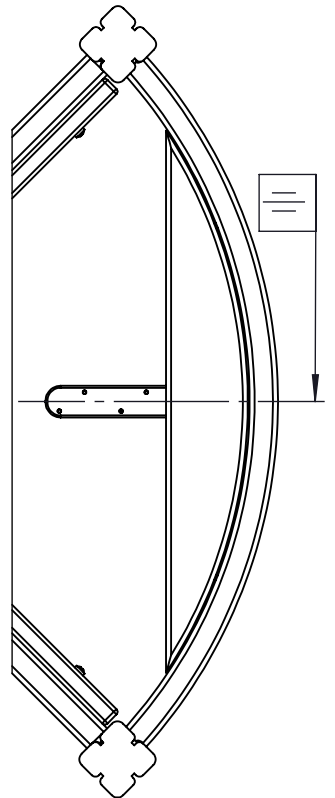
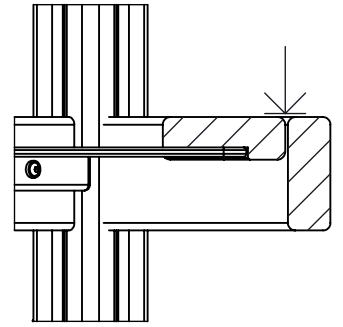
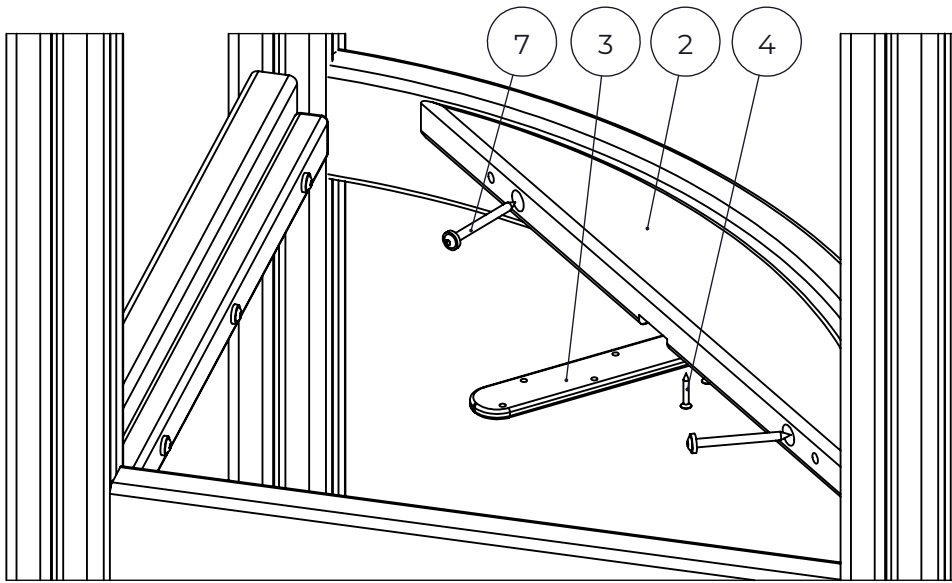
NO.	ITEM CODE			QTY.
1	702286	PRINTED LABEL	65x65	1
2	980114	SCREW	Ø4x20	4

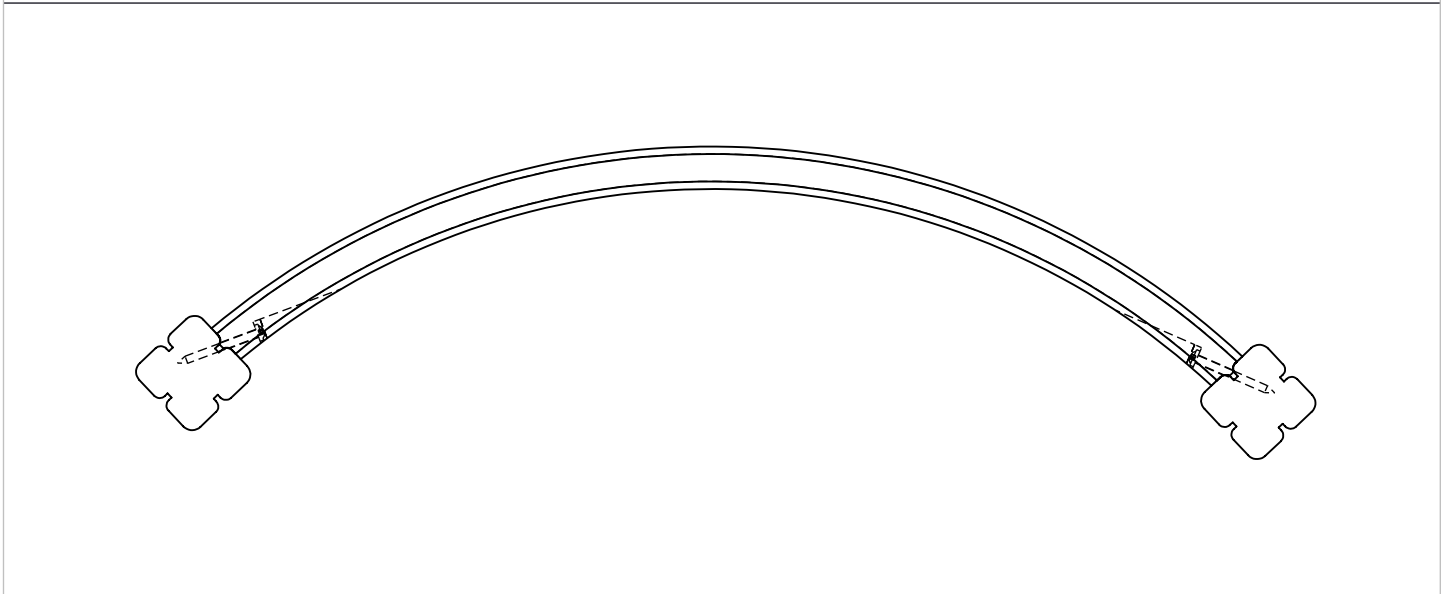
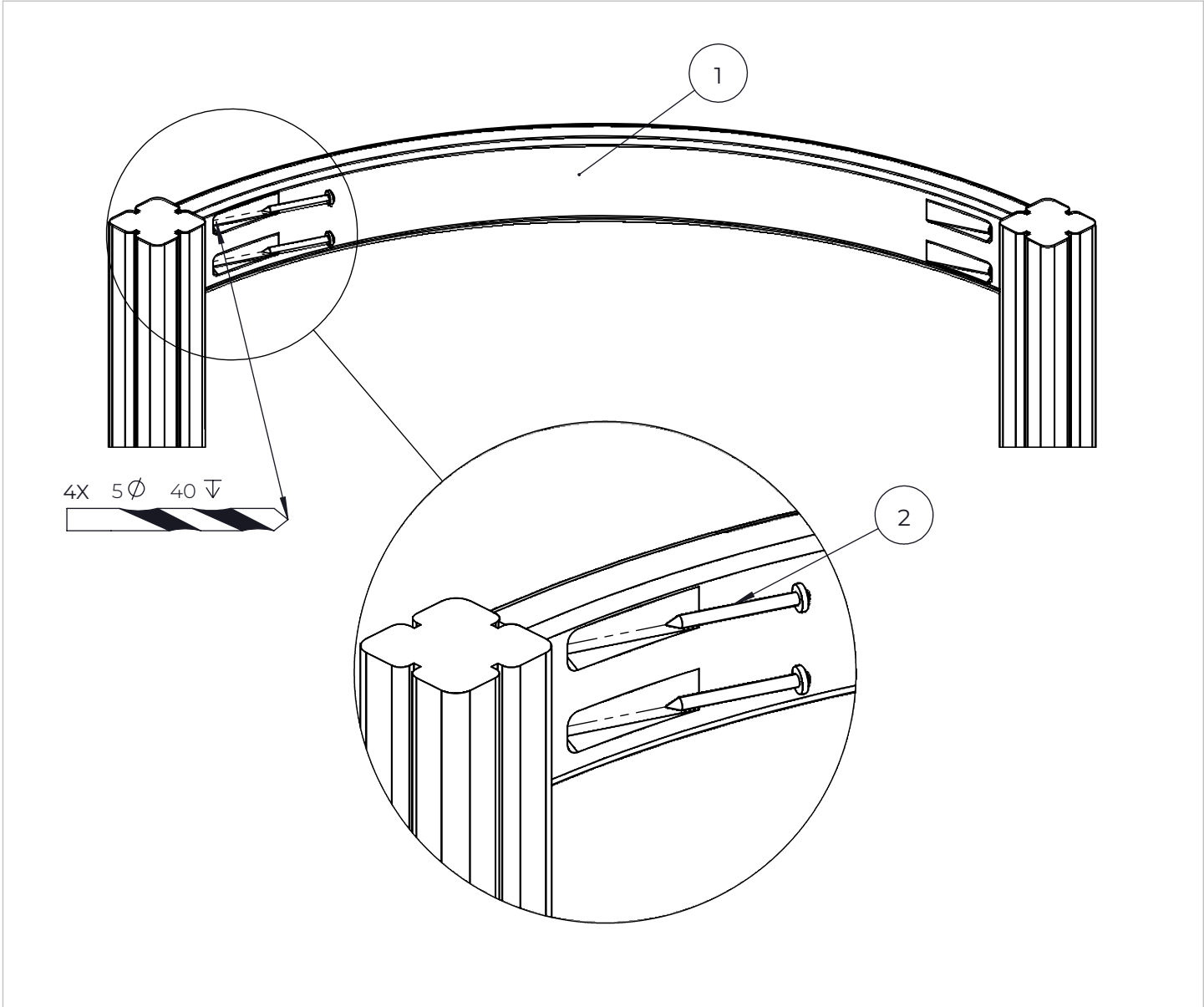


NO.	ITEM CODE			QTY.
1	702339	PRINTED LABEL	118x78	1
2	980114	SCREW	Ø4x20	4

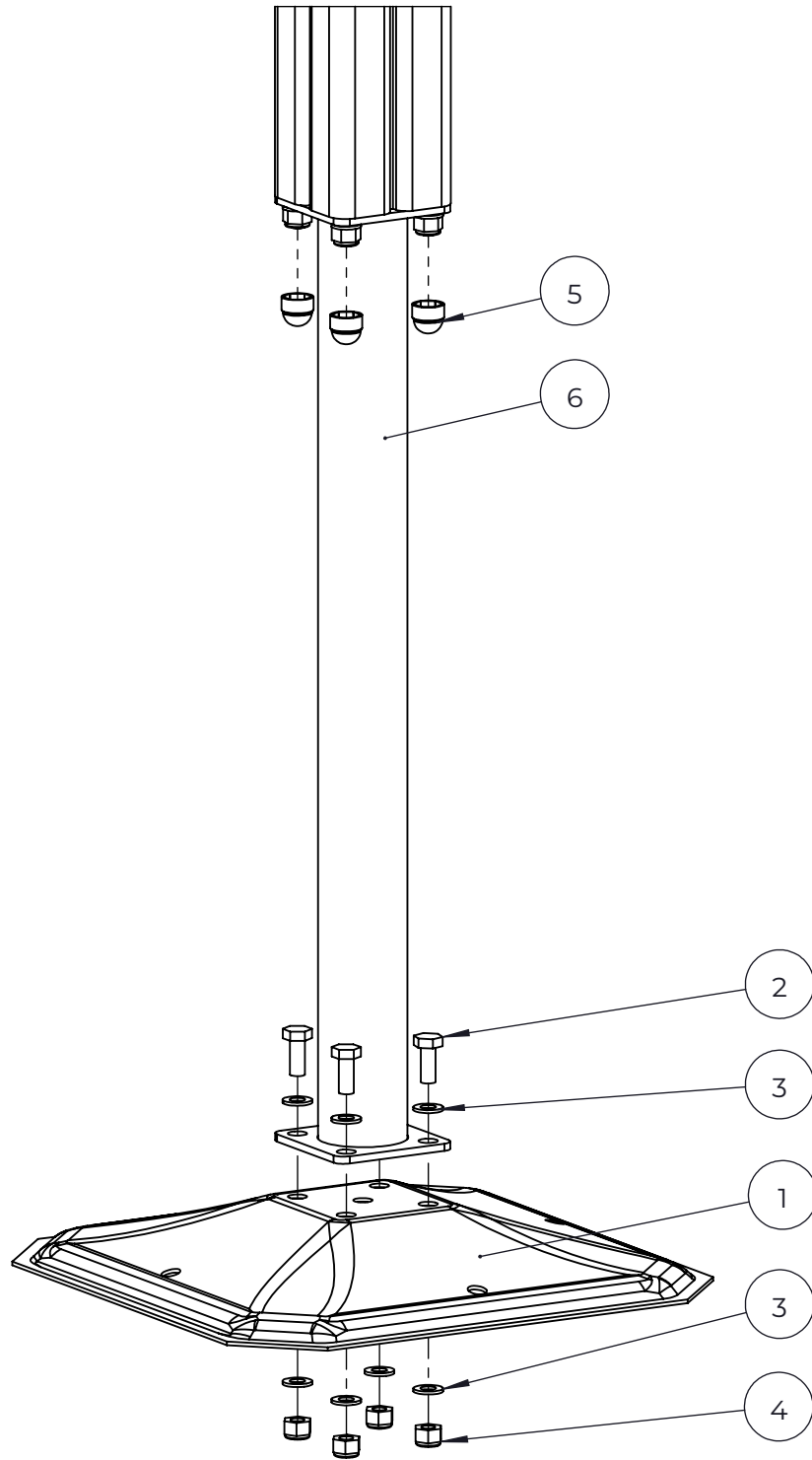


NO.	ITEM CODE			QTY.
1	710453	PLANK	45x95x1023	1
2	710405	PLANK	45x133x870	1
3	710466	PLATE	10x50x280	1
4	980129	SCREW	Ø5x35	6
5	980101	SCREW	Ø4.5x70	4
6	712956	FLOOR ELEMENT	32x714x714	1
7	903093	SPECIAL SCREW	Ø8x90	4
8	900240	SPECIAL SCREW	Ø8x70	6
9	909567	PIN	Ø10 X 75	2
10	709709	STRIP	32x45x685	2

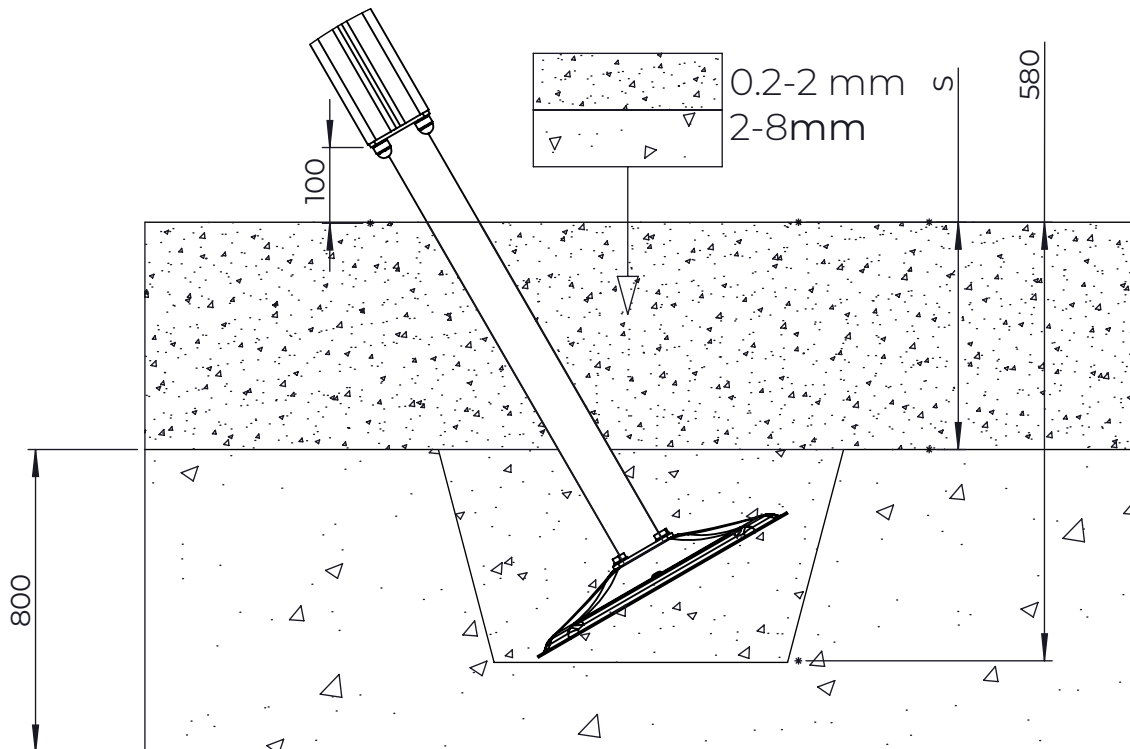
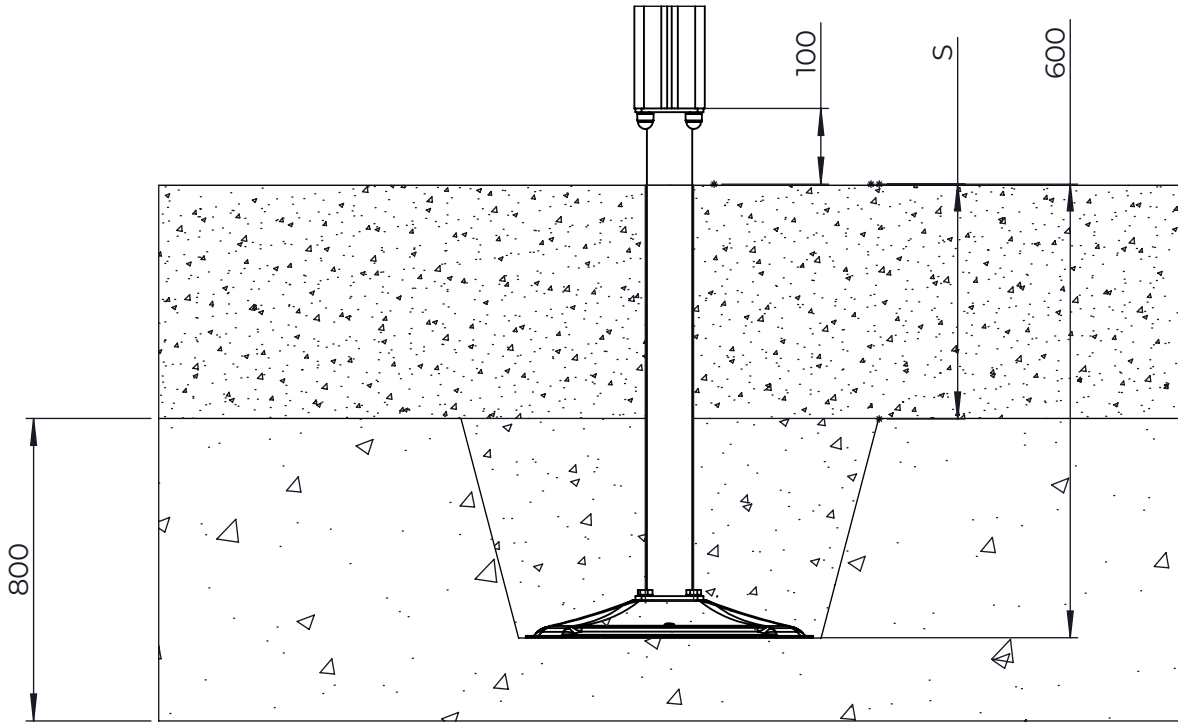


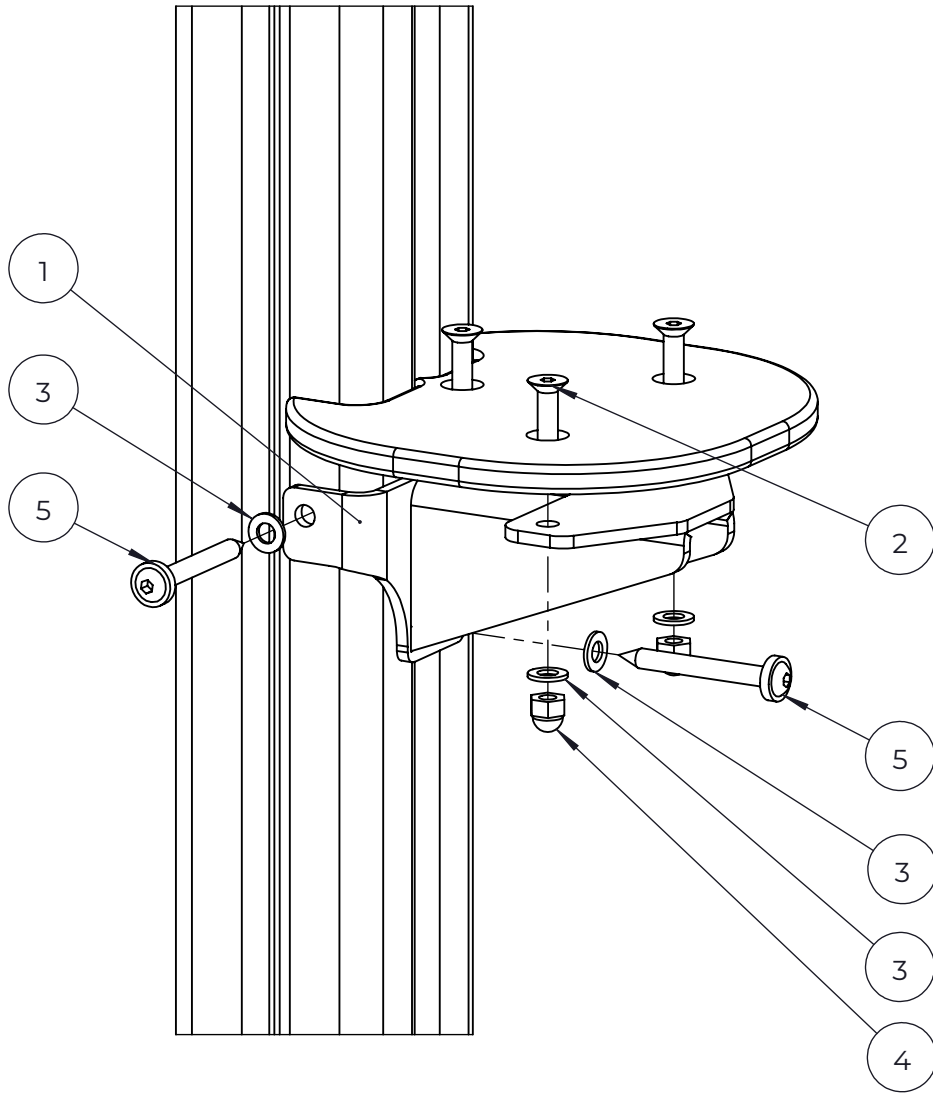


NO.	ITEM CODE			QTY.
1	711718	ARCH ELEMENT	45x120x1096	1
2	903093	SPECIAL SCREW	Ø8x90	4

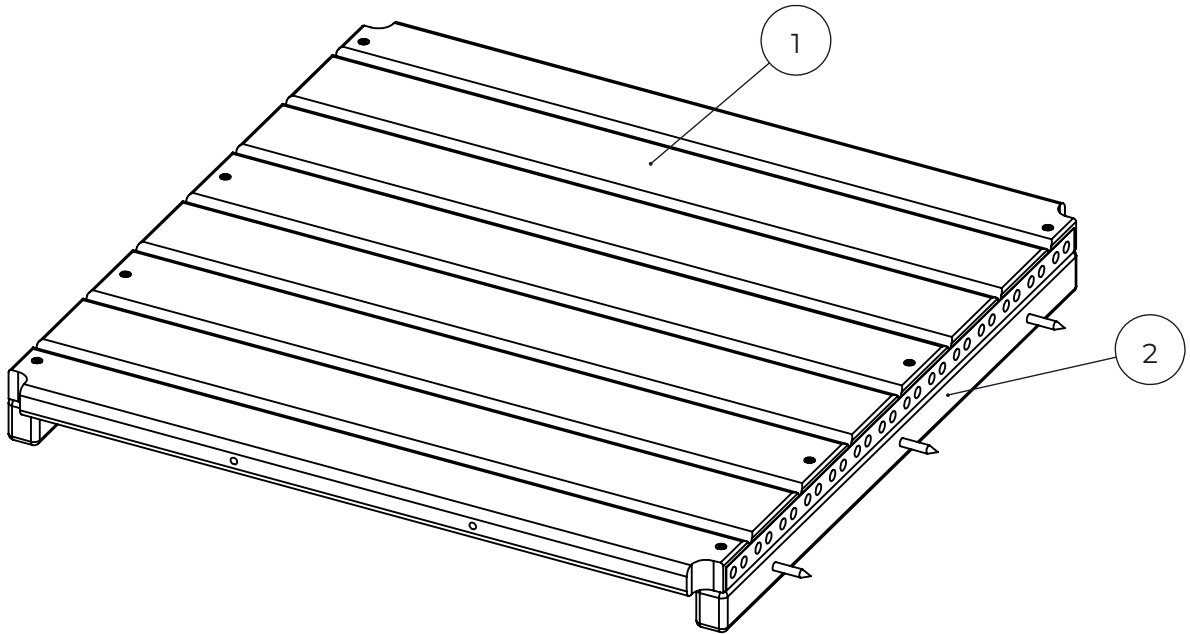


NO.	ITEM CODE			QTY.
1	909519	FOUNDATION PLATE	380 x 380 x 45	1
2	909639	BOLT	M10x25	4
3	909638	WASHER	Ø20 / 10.5	8
4	909637	NUT	M10	4
5	905104	OUTSIDE PLUG	M10	4
6	909511	FOUNDATION TUBE	90x90x650	1

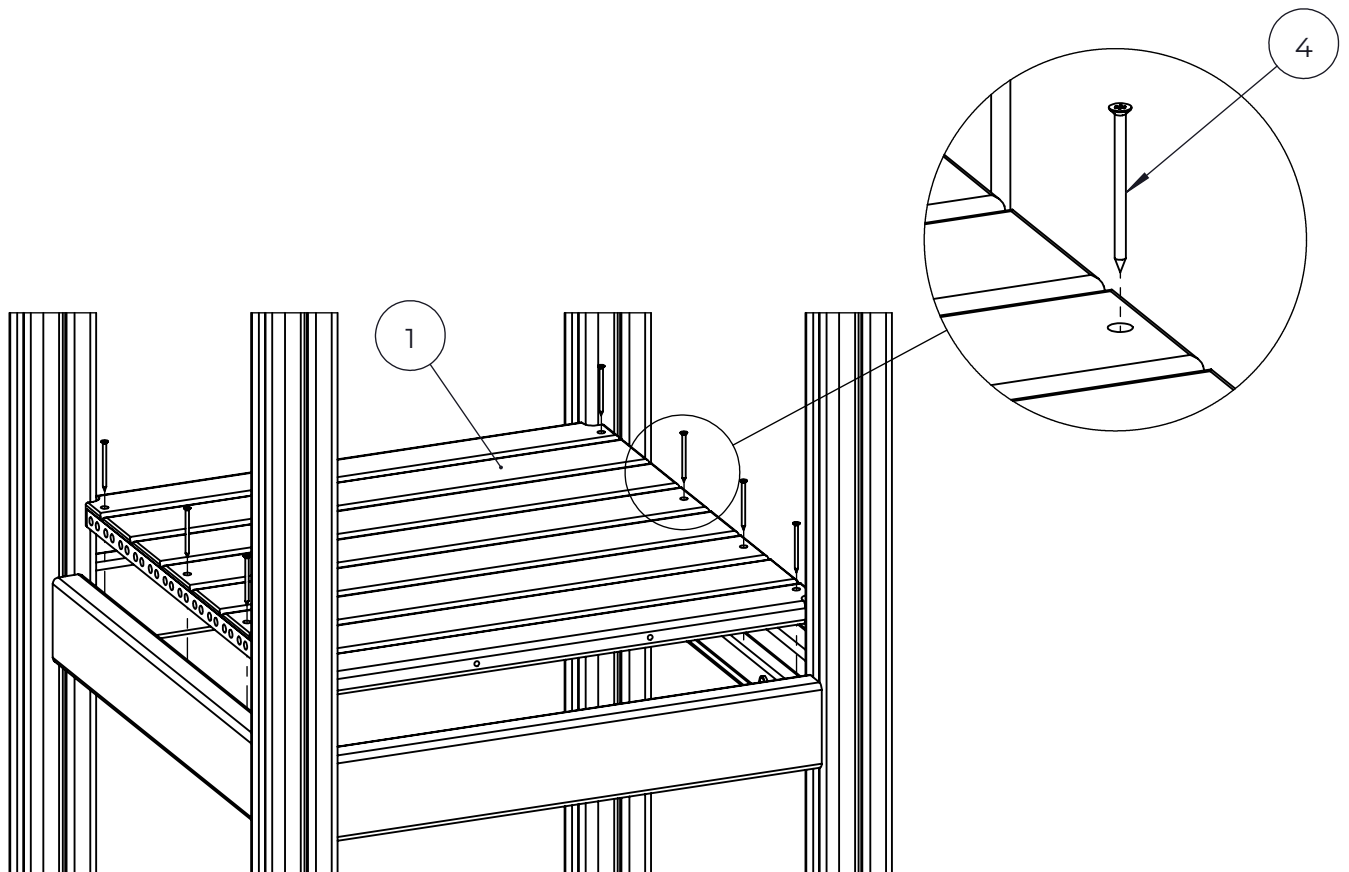
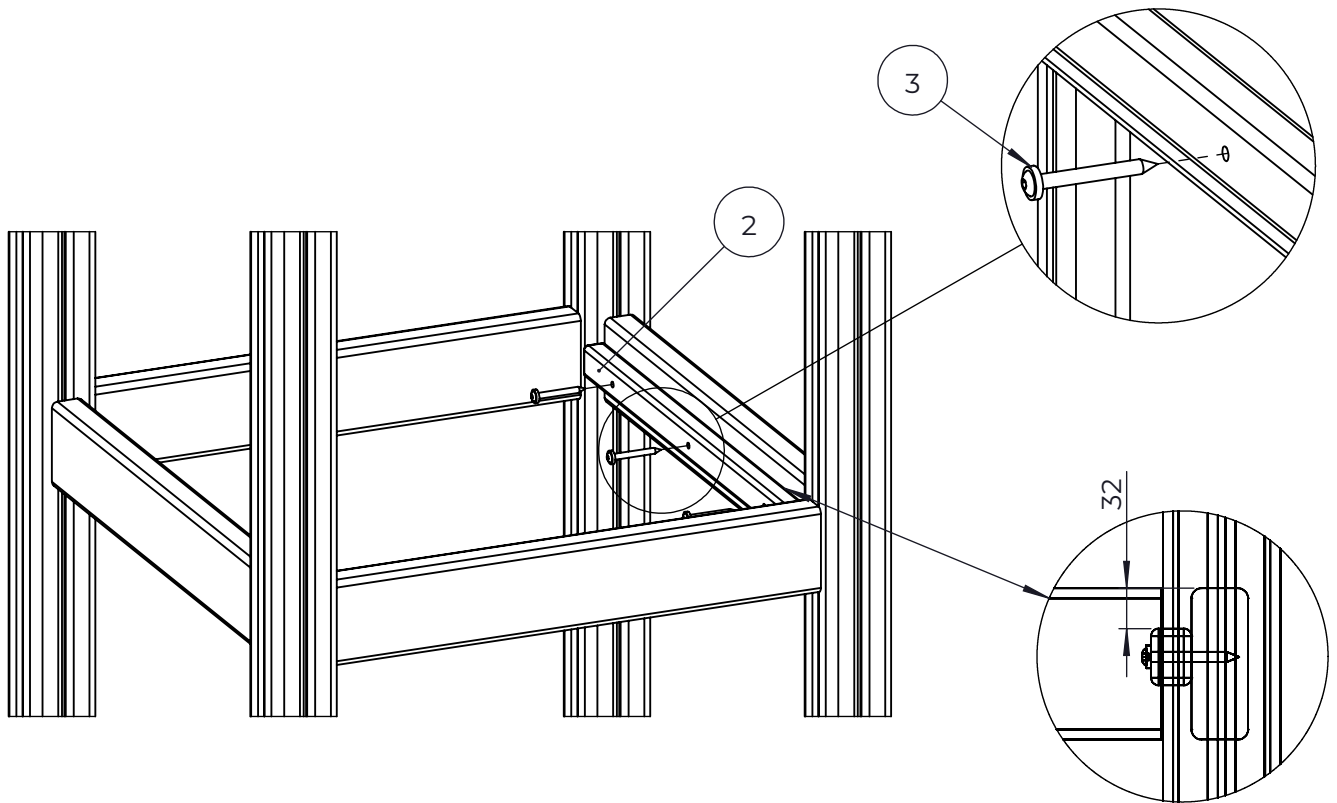


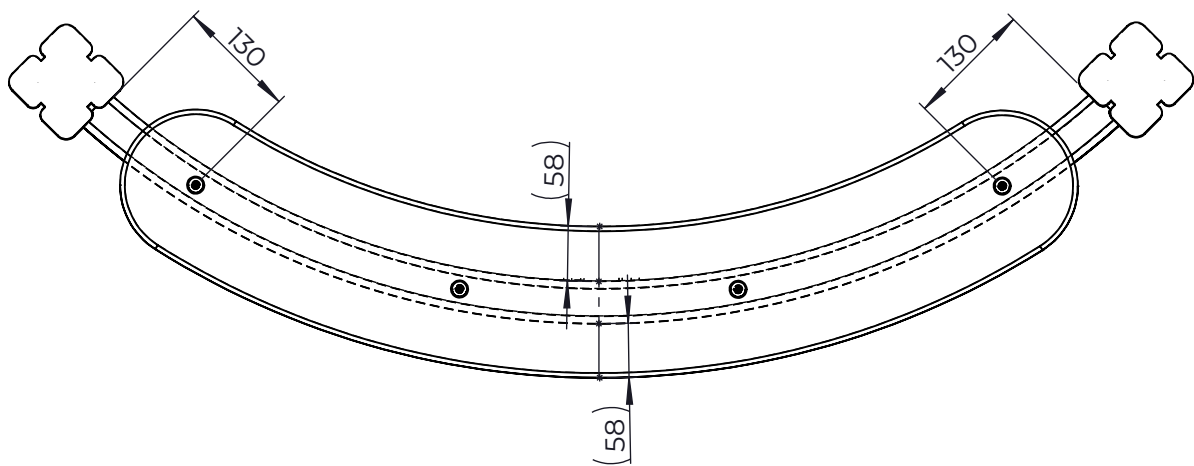
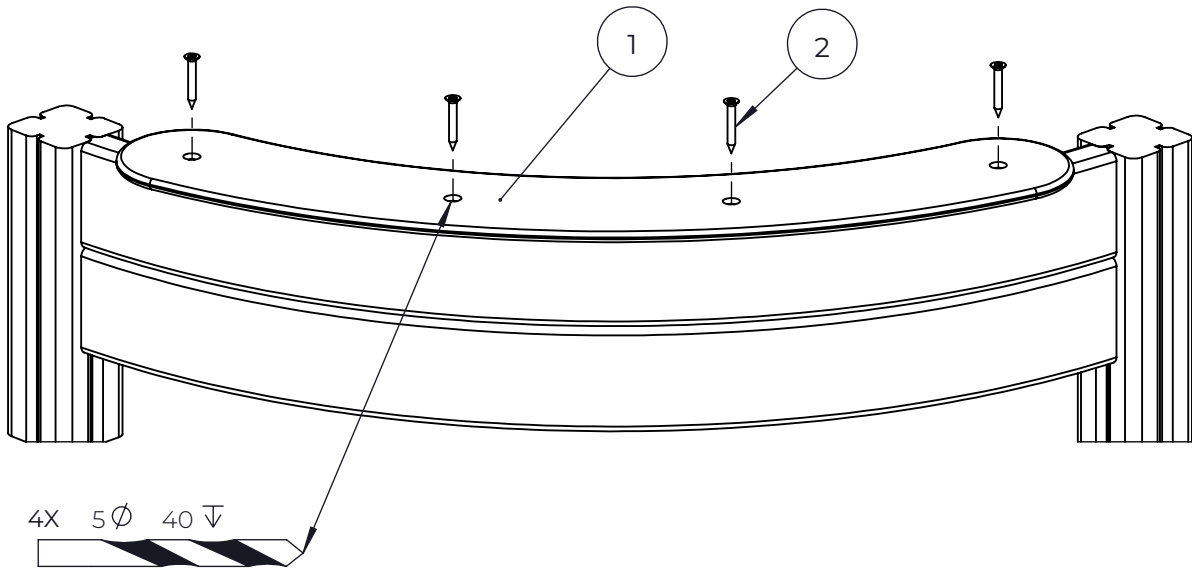


NO.	ITEM CODE			QTY.
1	914408	ATTACHMENT PIECE	75x130x165	1
2	900348	ALLEN SCREW	M8x30	3
3	909256	WASHER	Ø16/8.4x1.6	6
4	909633	NUT	M8	3
5	900240	SPECIAL SCREW	Ø8x70	3

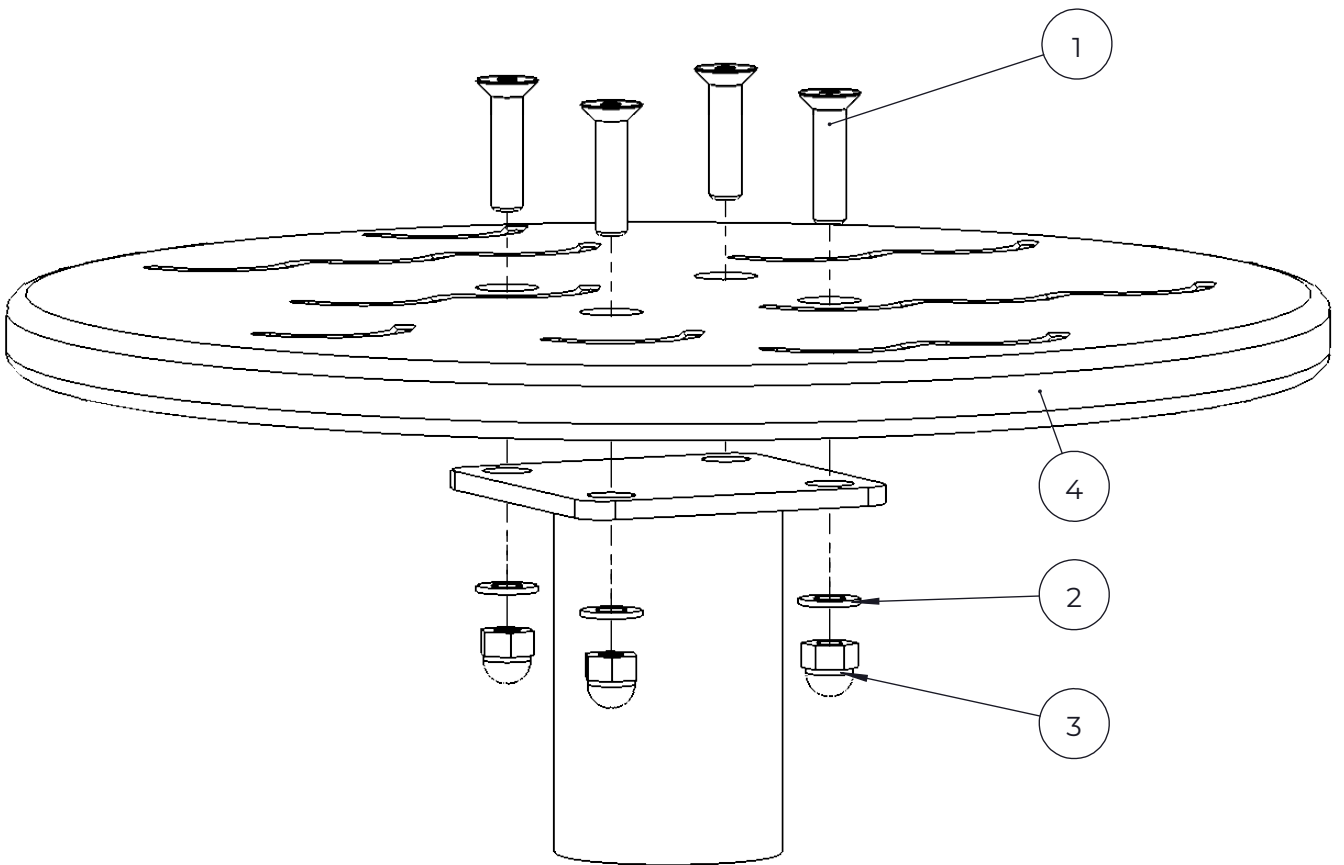
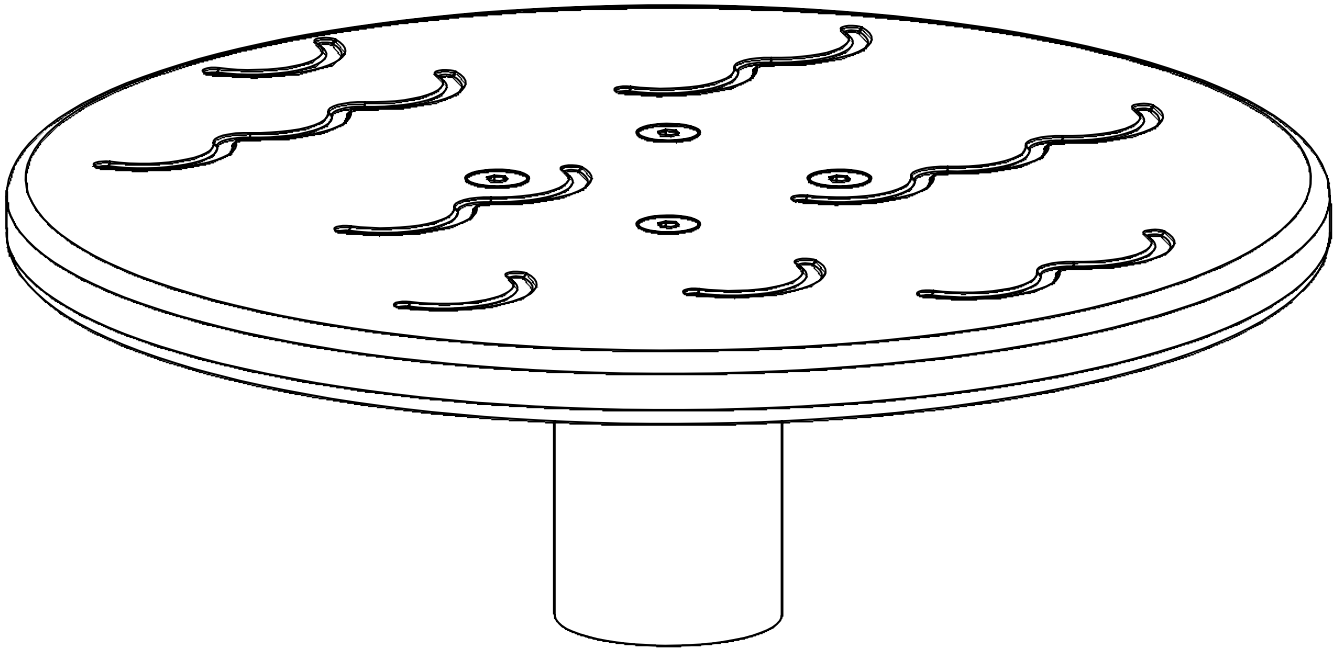


NO.	ITEM CODE			QTY.
1	712923	FLOOR ELEMENT	32x750x750	1
2	706443	STRIP	32x45x702	2
3	900240	SPECIAL SCREW	Ø8x70	6
4	980101	SCREW	Ø4.5x70	8

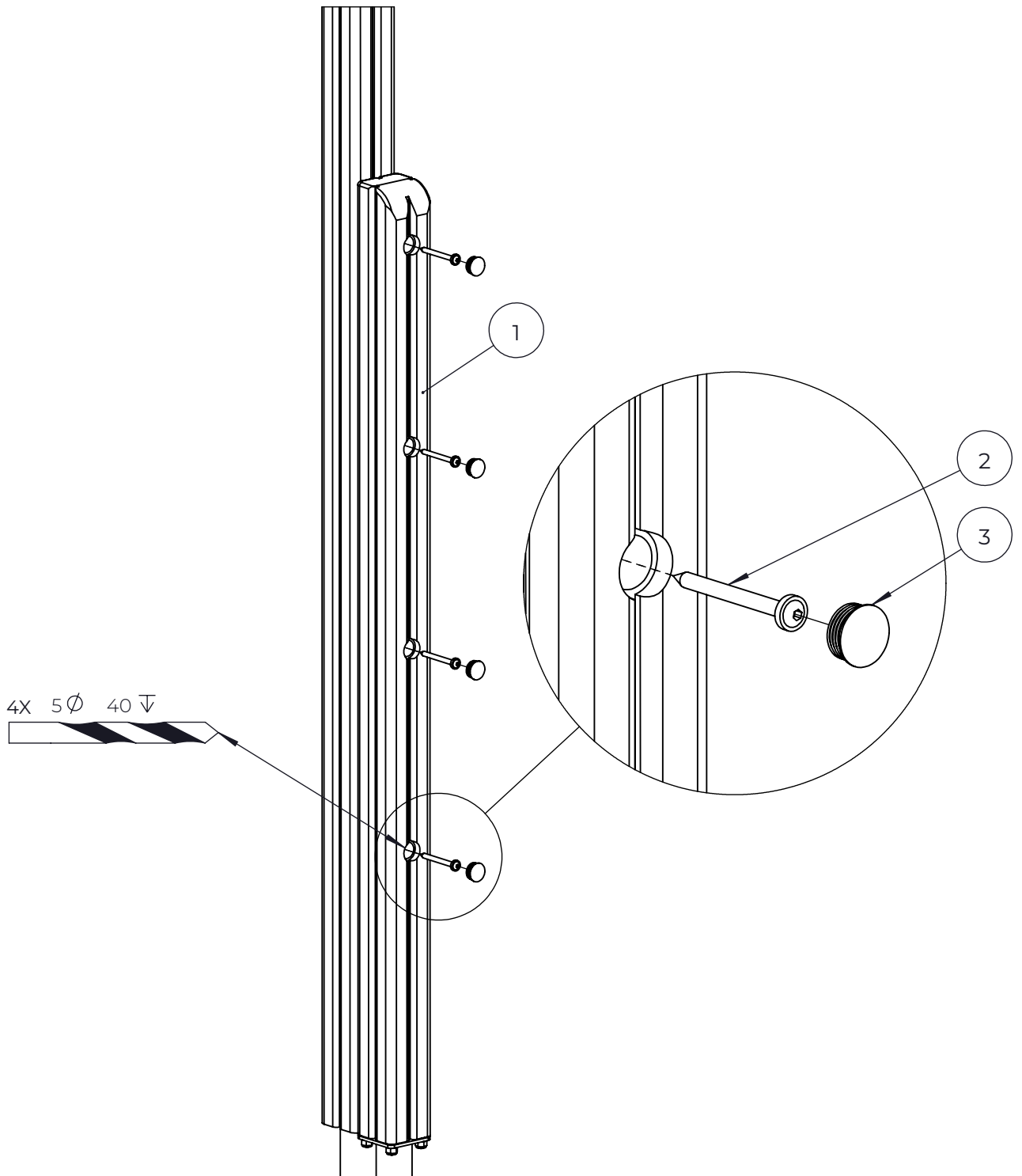




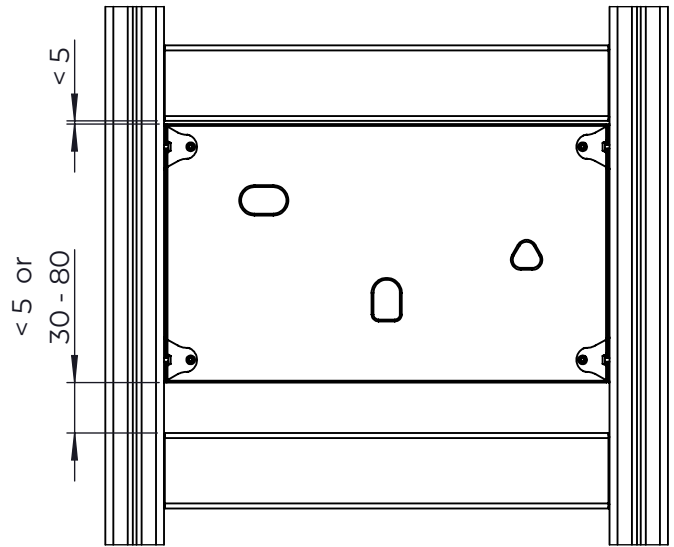
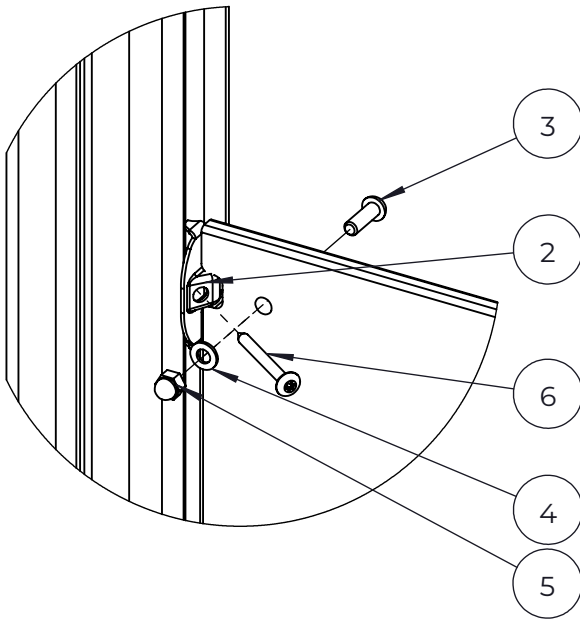
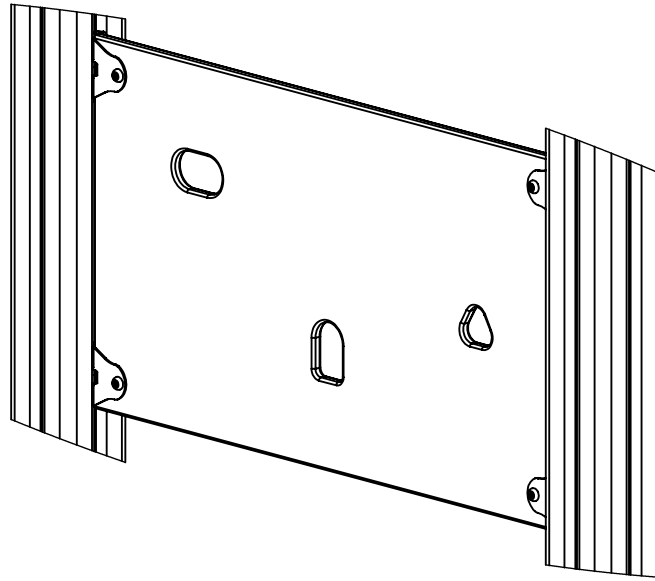
NO.	ITEM CODE			QTY.
1	711801	PLATE	12x283x1013	1
2	906630	SCREW	Ø8x60	4



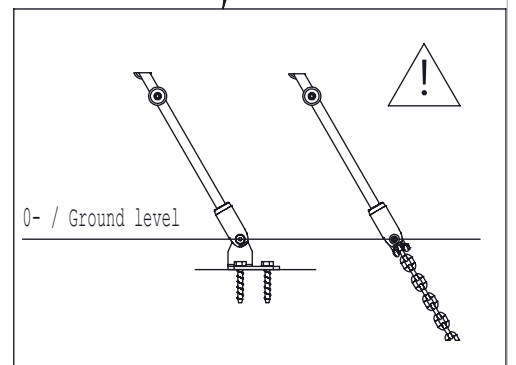
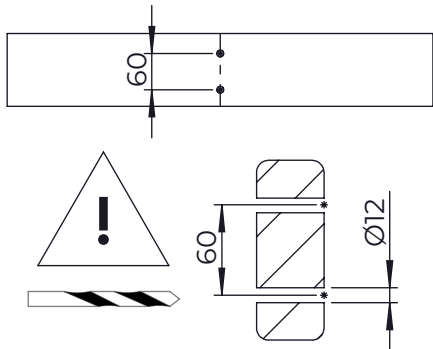
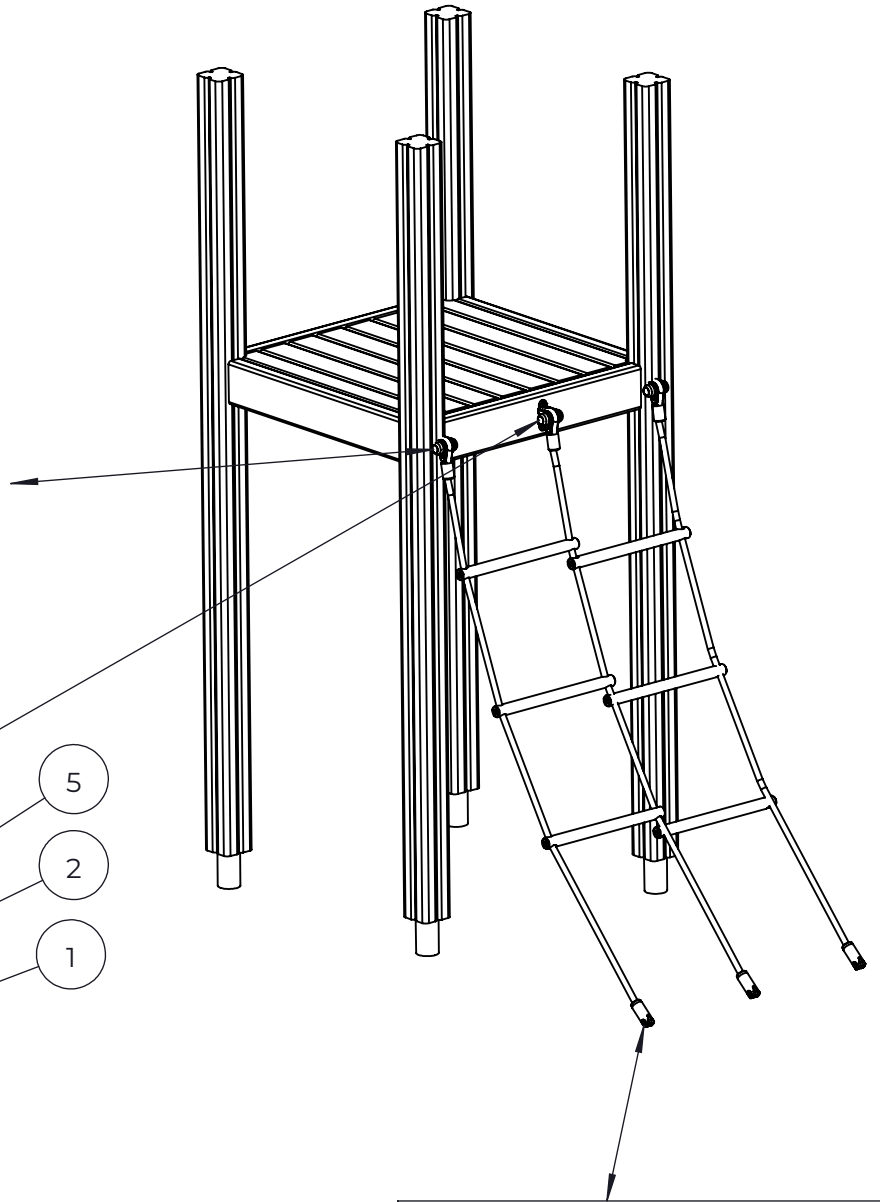
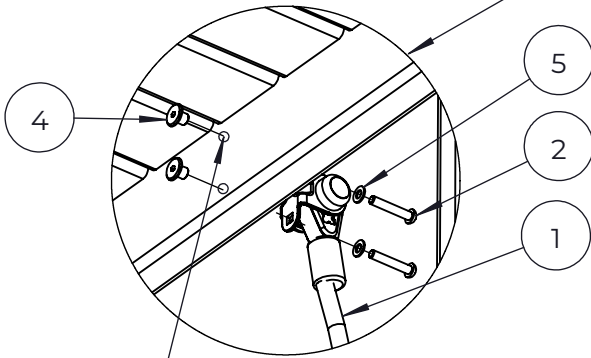
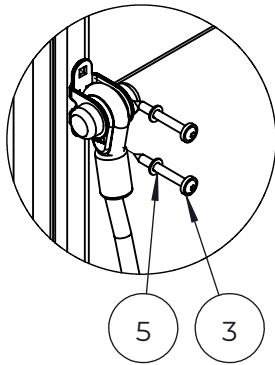
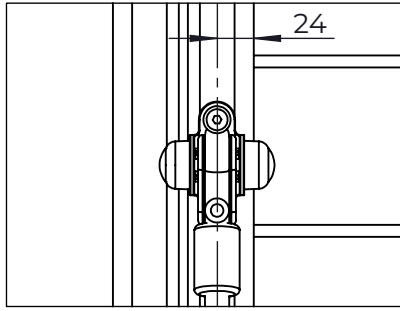
NO.	ITEM CODE			QTY.
1	905857	COUNTERSUNK SCREW	M8x35	4
2	909256	WASHER	Ø16/8.4x1.6	4
3	909633	NUT	M8	4
4	713305	STEP	Ø350x20	1



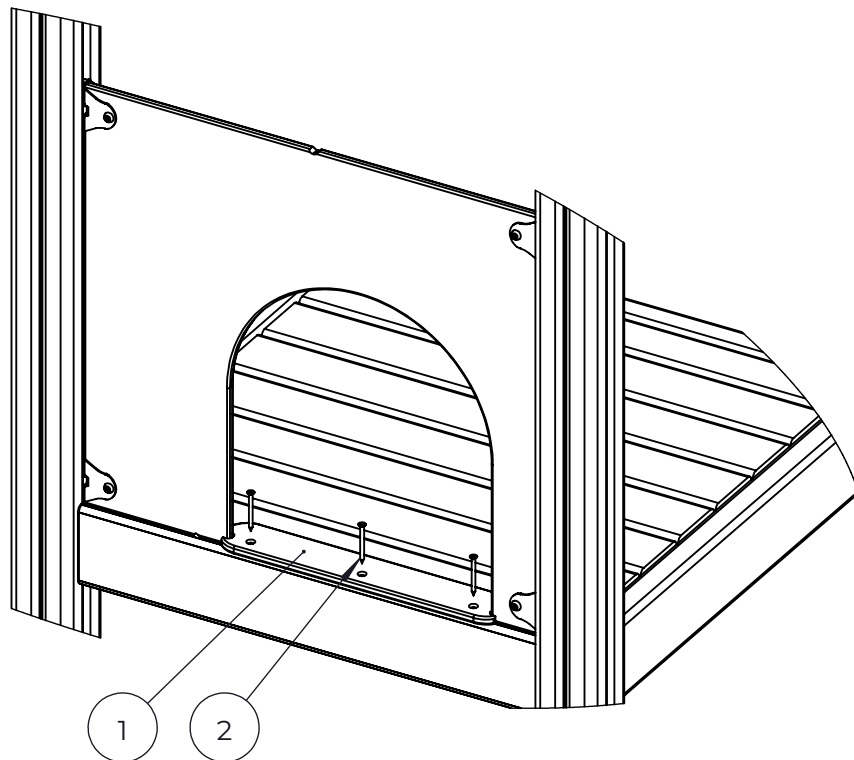
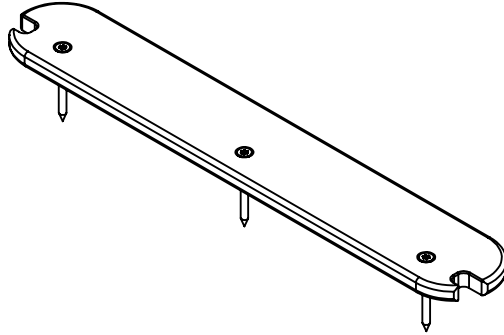
NO.	ITEM CODE			QTY.
1	713033	POST	93x93x1650	1
2	903093	SPECIAL SCREW	Ø8x90	4
3	905103	INSIDE PLUG	PT-28/32-H	4



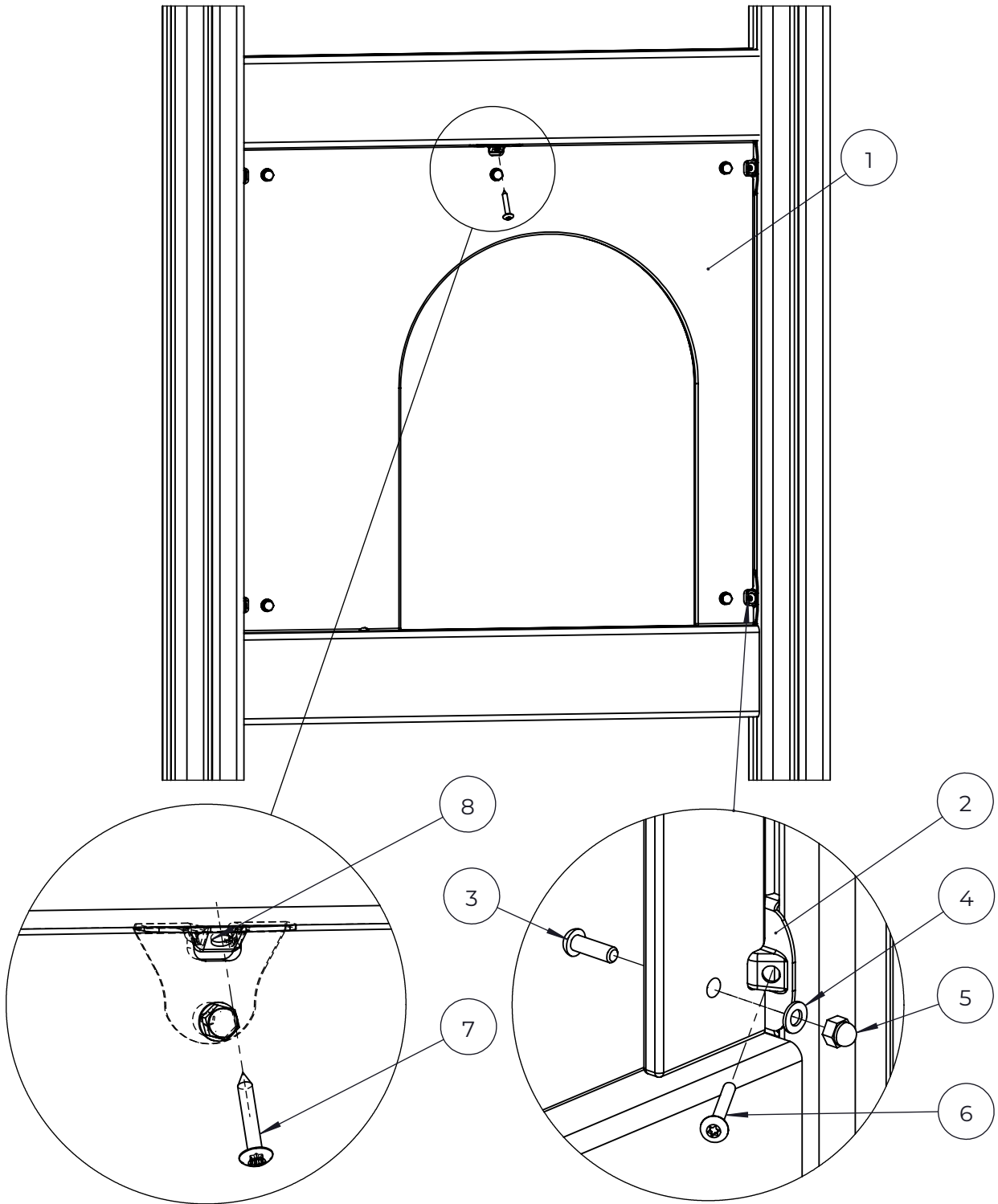
NO.	ITEM CODE			QTY.
1	711681	PLATE	410x702x12	1
2	903176	CLAMP		4
3	909850	ALLEN SCREW	M8x25	4
4	909256	WASHER	Ø16/8.4x1.6	4
5	909633	NUT	M8	4
6	980123	SPECIAL SCREW	Ø7x60	4



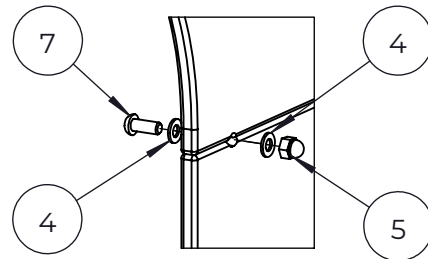
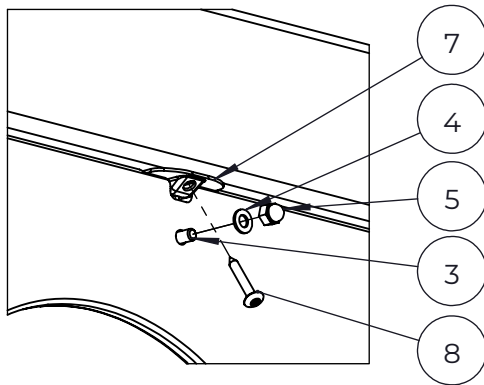
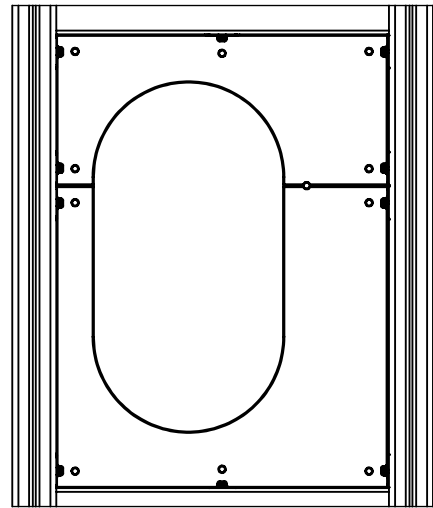
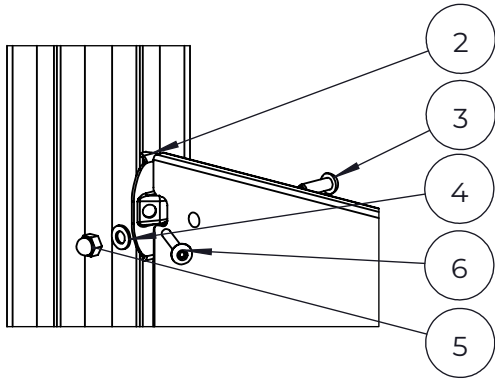
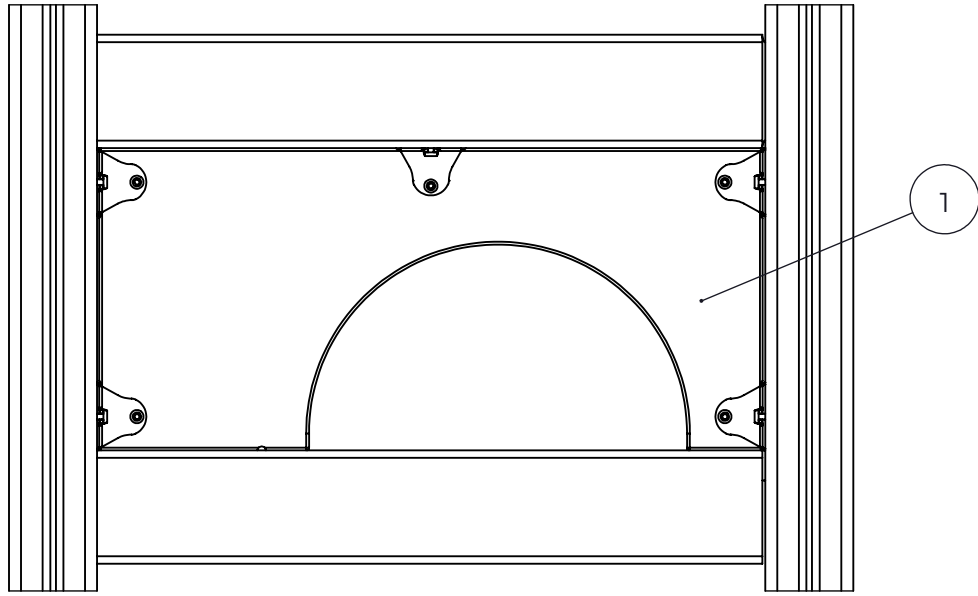
NO.	ITEM CODE			QTY.
1	713020	ROPE ELEMENT	+1470	1
2	901899	ALLEN SCREW	M8x45	2
3	900240	SPECIAL SCREW	Ø8x70	4
4	914858	SPECIAL NUT	M8x12	2
5	909256	WASHER	Ø16/8.4x1.6	6



NO.	ITEM CODE			QTY.
1	713010	SILL PLATE	12x70x436	1
2	980100	COUNTERSUNK SCREW	Ø5 x 60	3



NO.	ITEM CODE			QTY.
1	712468	PLATE	12x640x702	1
2	903176	CLAMP		4
3	909850	ALLEN SCREW	M8x25	5
4	909256	WASHER	Ø16/8.4x1.6	5
5	909633	NUT	M8	5
6	980123	SPECIAL SCREW	Ø7x60	4
7	980128	SPECIAL SCREW	Ø7x40	1
8	903215	CLAMP		1



NO.	ITEM CODE			QTY.
1	711692	PLATE	12x320x702	1
2	903176	CLAMP		4
3	909850	ALLEN SCREW	M8x25	5
4	909256	WASHER	Ø16/8.4x1.6	5
5	909633	NUT	M8	5
6	980123	SPECIAL SCREW	Ø7x60	4
7	903215	CLAMP		1
8	980128	SPECIAL SCREW	Ø7x40	1