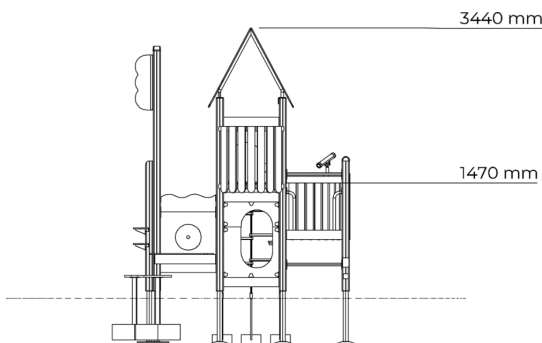
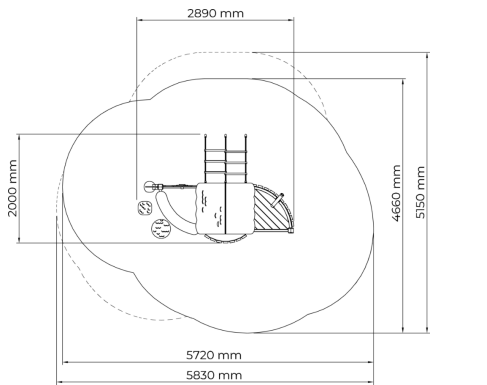




Kajsa Play House combines vertical play and imaginative storytelling in a compact, tower-style design. With space to play both above and below, children aged 1 or more can climb up for a lookout view or gather underneath for quiet roleplay and social games. Constructed from PEFC-certified Nordic pine and durable HPL panels, Kajsa is made for lasting use in outdoor settings. The nets are steel enforced and metal climbing components are painted steel. Its small footprint and open layout make it ideal for parks, schoolyards and nature-themed playgrounds where space and storytelling come together. Kajsa supports emotional development and connection, offering opportunities for children to create, collaborate and play within a structure that sparks their imagination. The fall height of Kajsa is 1480 mm.



User age	1+
Number of users	7
Product length, mm	2860
Product width, mm	2000
Product height, mm	3440
Impact area, m <sup>2</sup>	20
Falling space, m <sup>2</sup>	23
Height required, mm	3940
Max. free fall height, mm	1470
Safety info	EN 1176-1:2017
Installation time (for 1), H	8.5
Foundation options	deep_mounting surface_mounting
Wood	
Metal	
Colour of walls and HPL	
Ropes	