

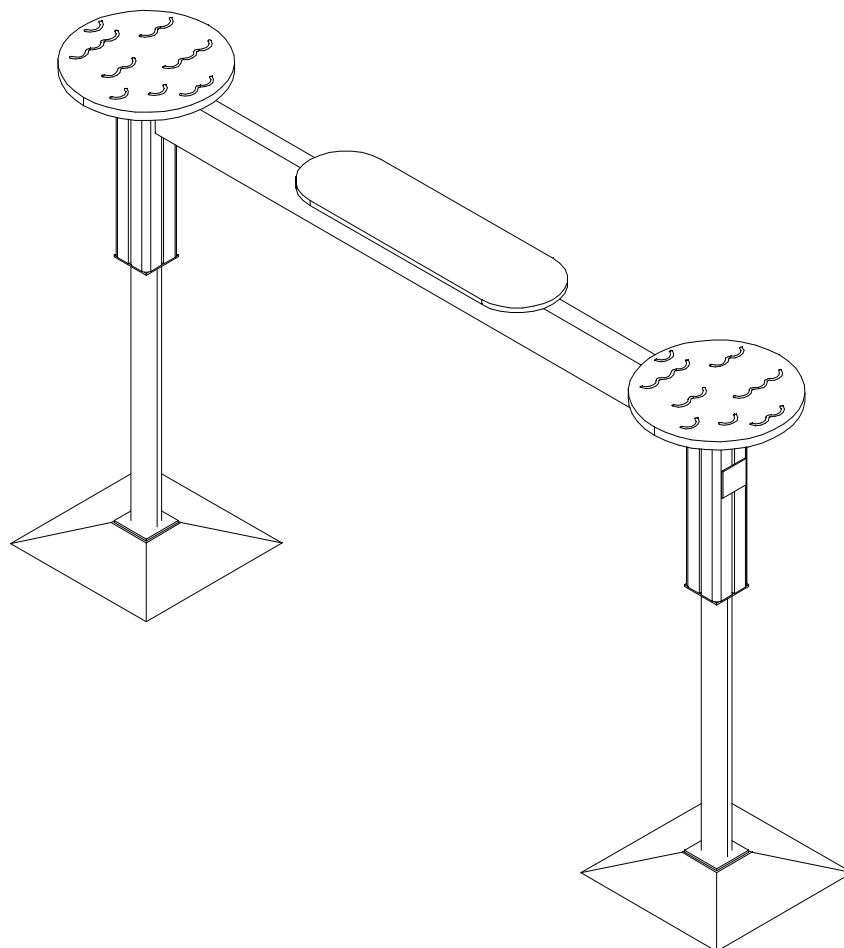


PRIME

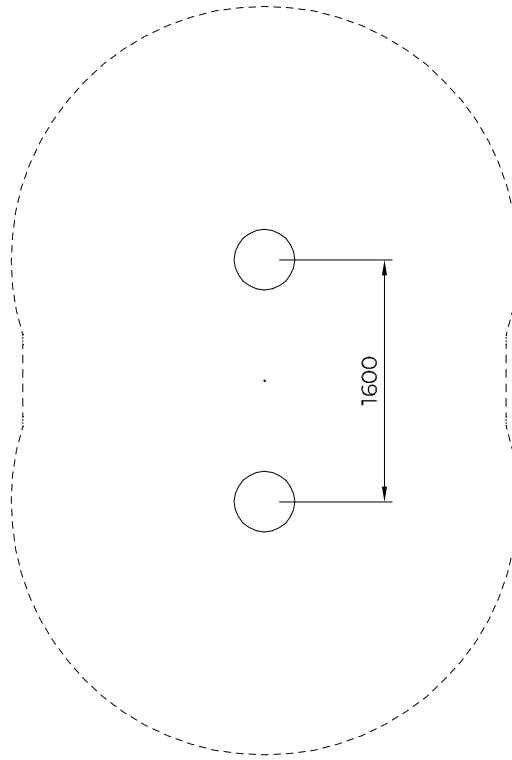
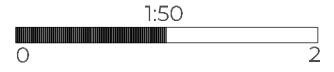
ASENNUSOHJE
MONTERINGSANSVISNING
INSTALLATION INSTRUCTION
AUFBAUANLEITUNG
NOTICE D'INSTALLATION

DATE: 21.1.2026

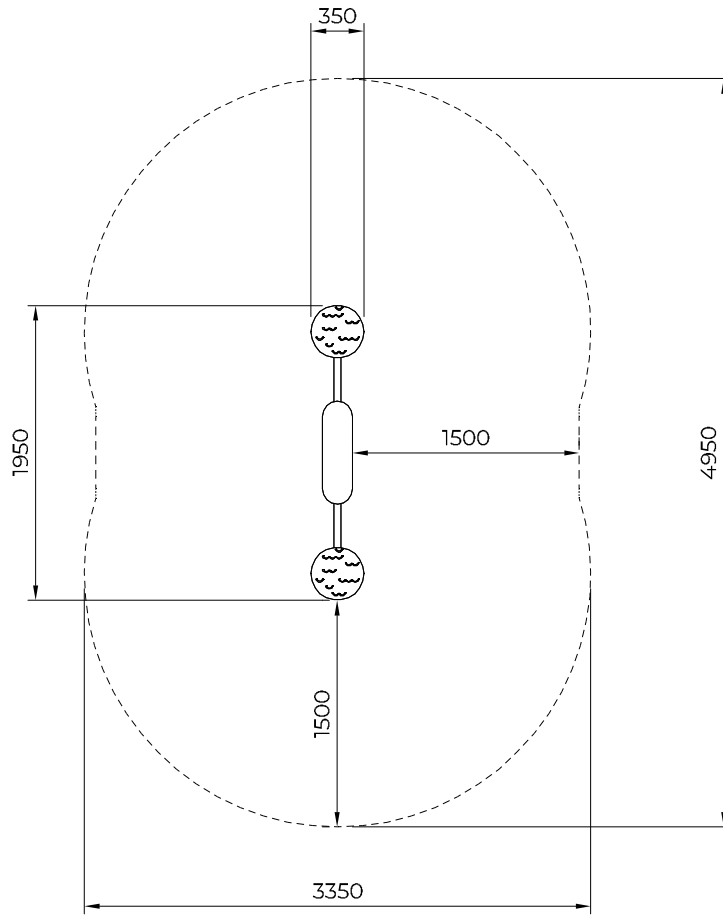
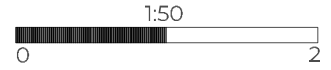
F24806M

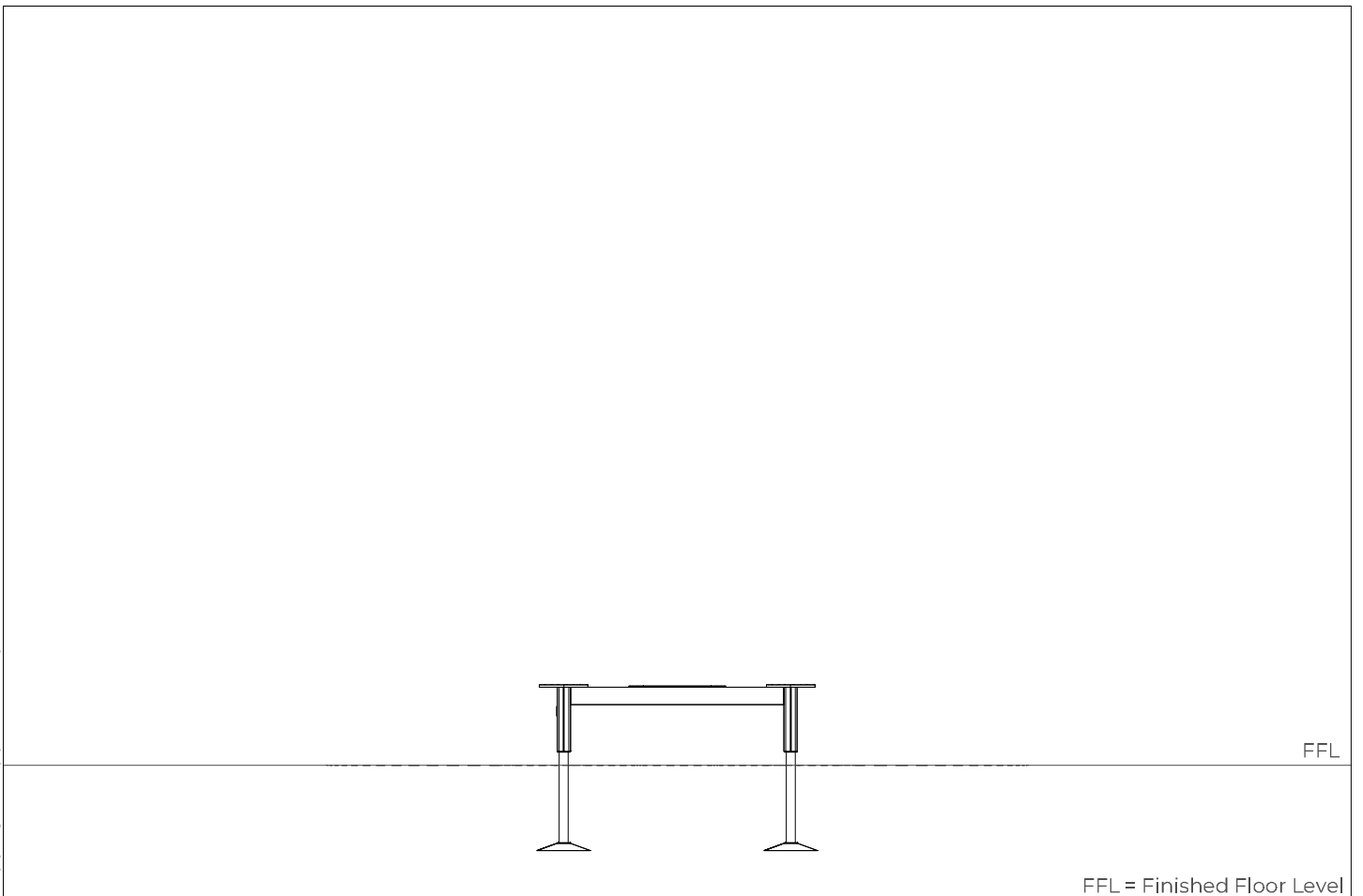
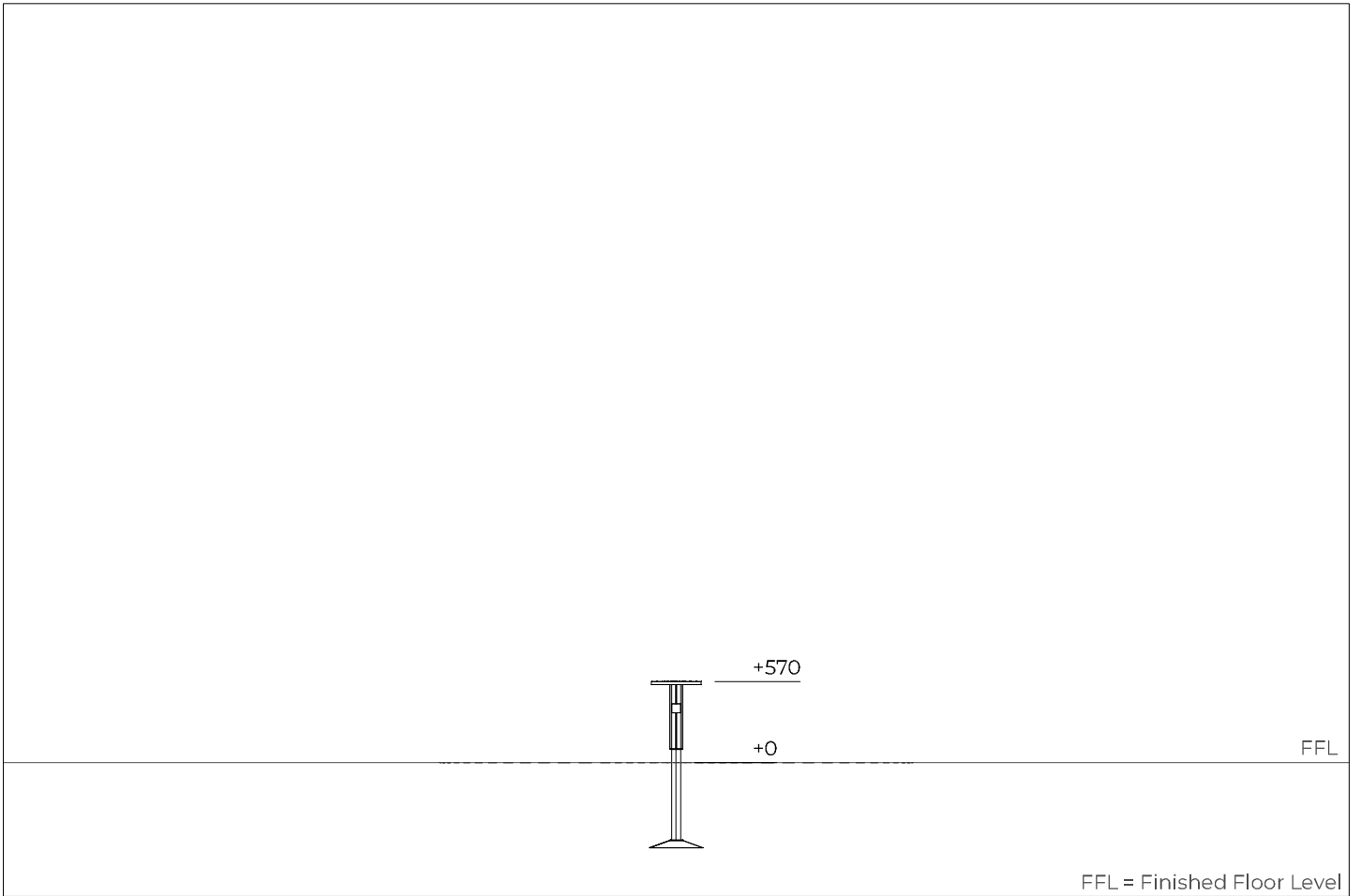


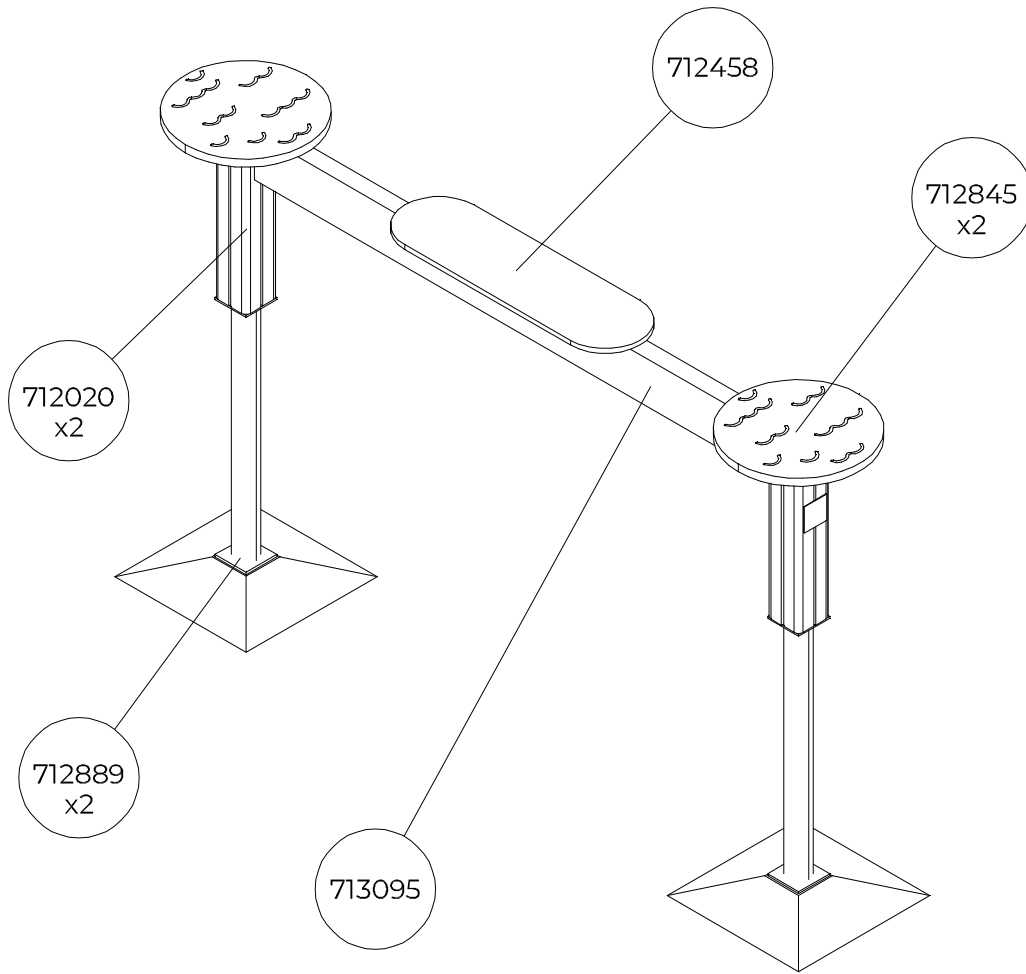
712020-001	PCS	712458	PCS	712797	PCS	712845	PCS	712889	PCS	713095-001	PCS
	2		1		1		2		2		1
L 450								L 700 		L 1504 	
	PCS		PCS		PCS		PCS		PCS		PCS
	PCS		PCS		PCS		PCS		PCS		PCS
	PCS		PCS		PCS		PCS		PCS		PCS
	PCS		PCS		PCS		PCS		PCS		PCS
	PCS		PCS		PCS		PCS		PCS		PCS

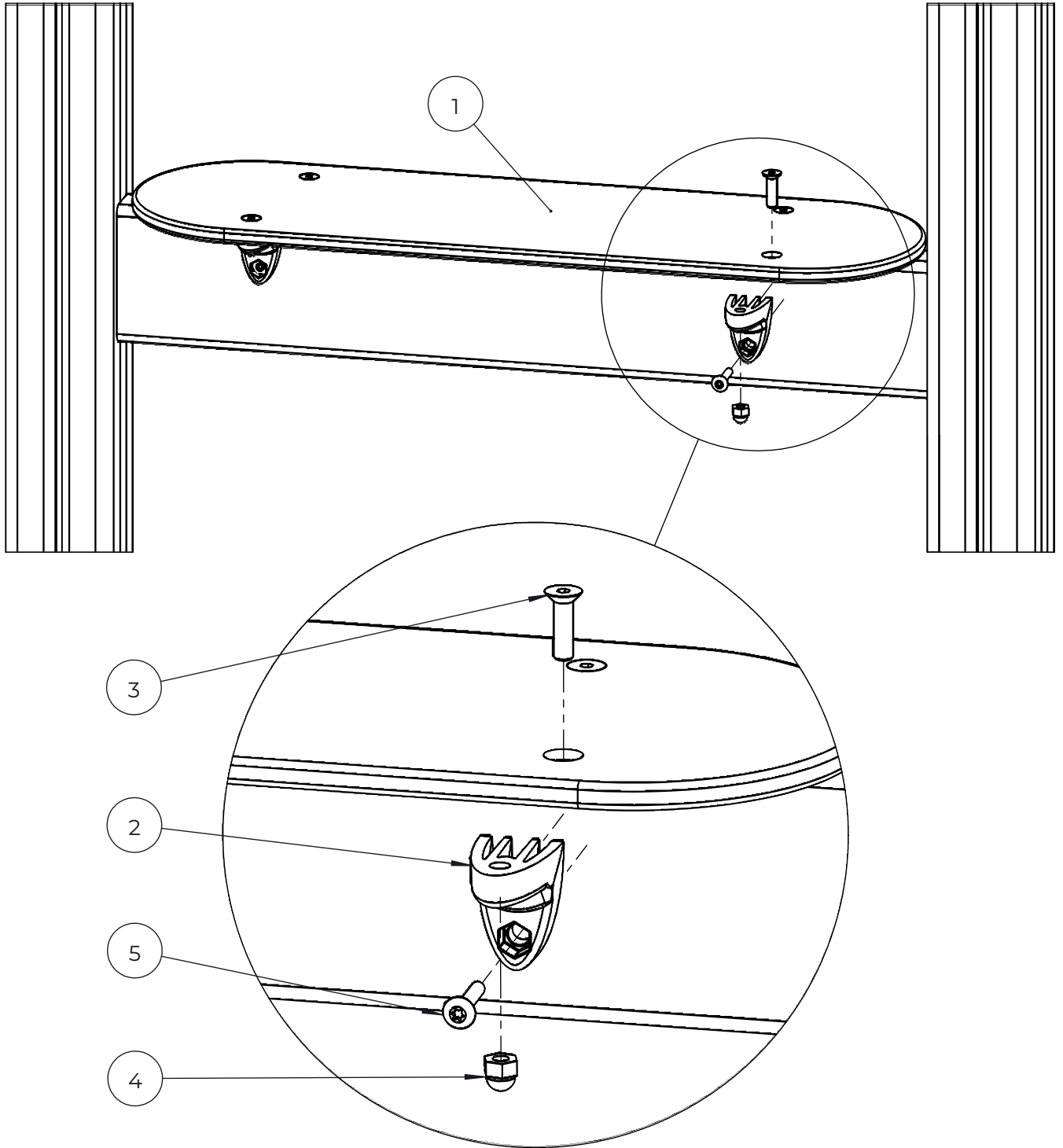


Falling Space 14 m²
Max Falling Height 570 mm

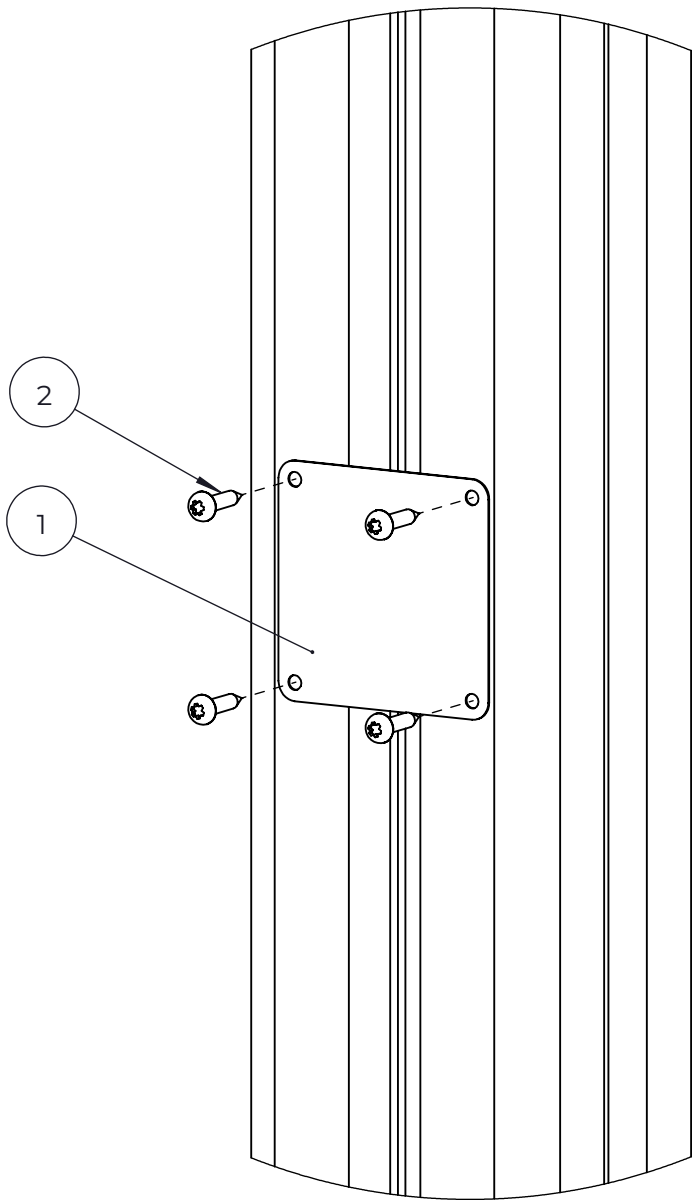




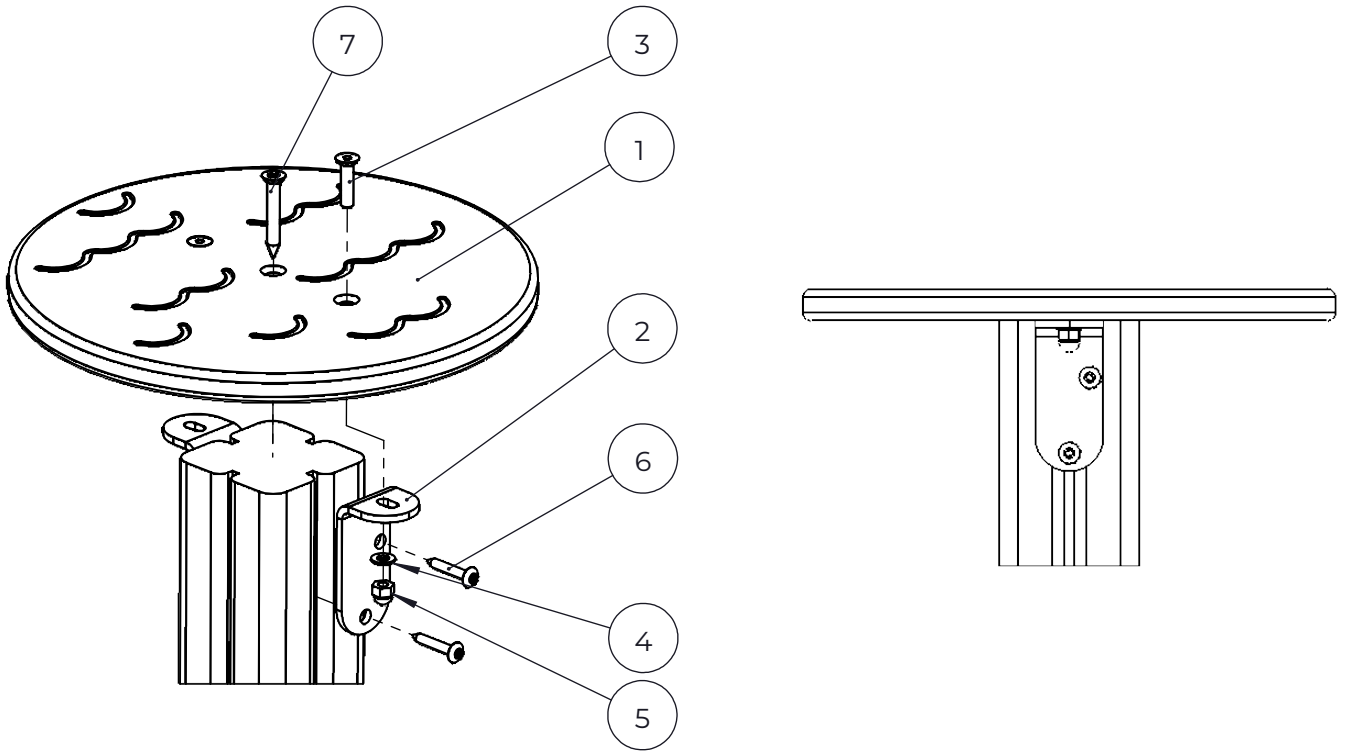




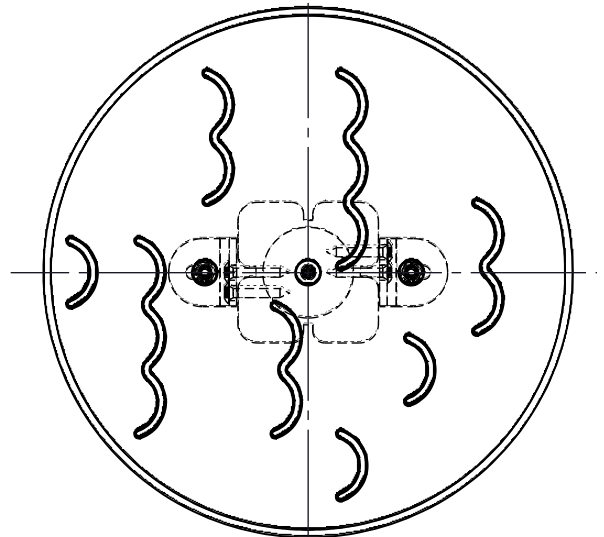
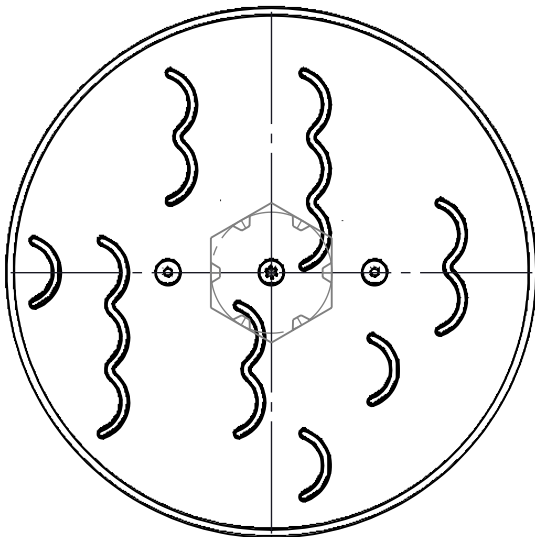
NO.	ITEM CODE			QTY.
1	711701	STEP	12x200x680	1
2	901570	CLAMP	36x55x55	4
3	900348	ALLEN SCREW	M8x30	4
4	909633	NUT	M8	4
5	980128	SPECIAL SCREW	Ø7x40	4



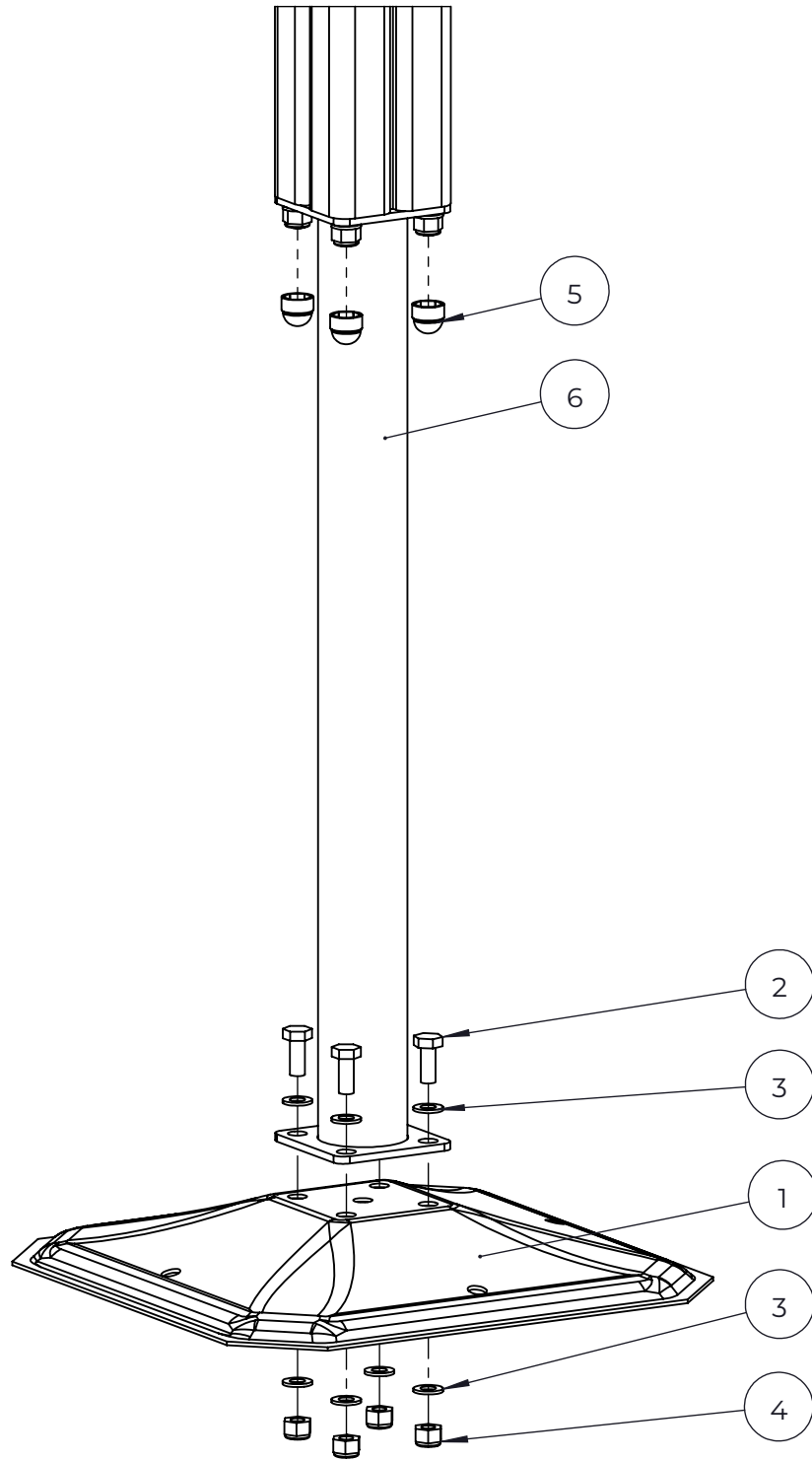
NO.	ITEM CODE			QTY.
1	702286	PRINTED LABEL	65x65	1
2	980114	SCREW	Ø4x20	4



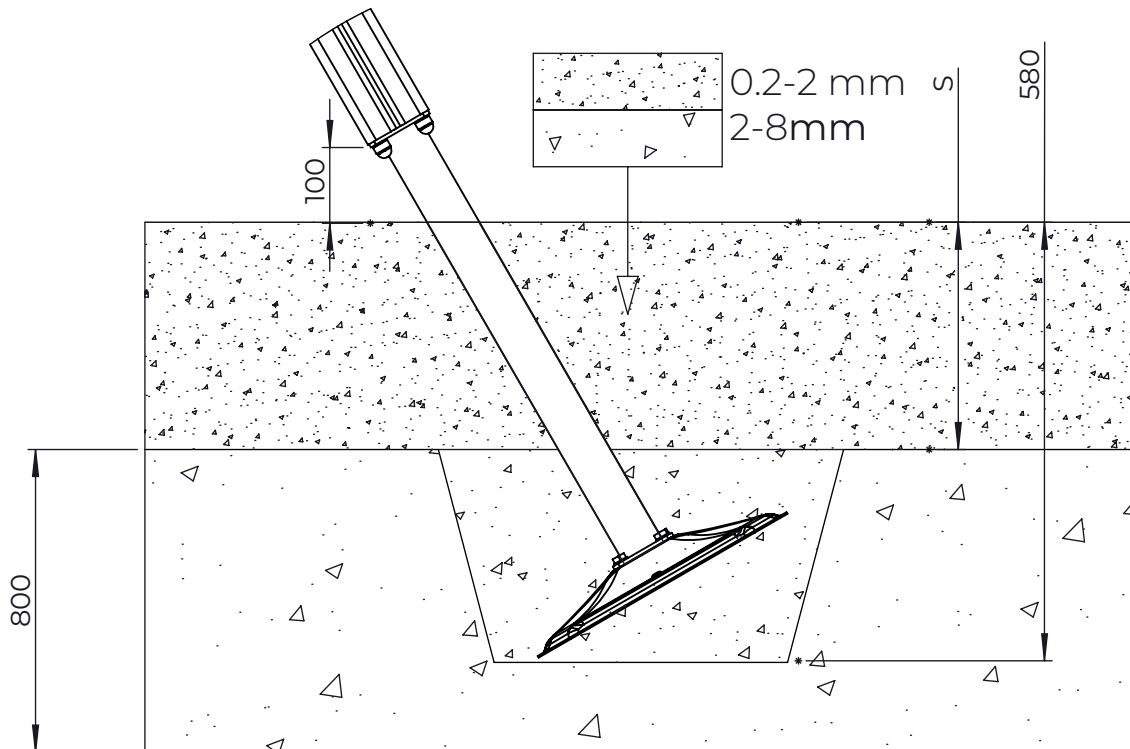
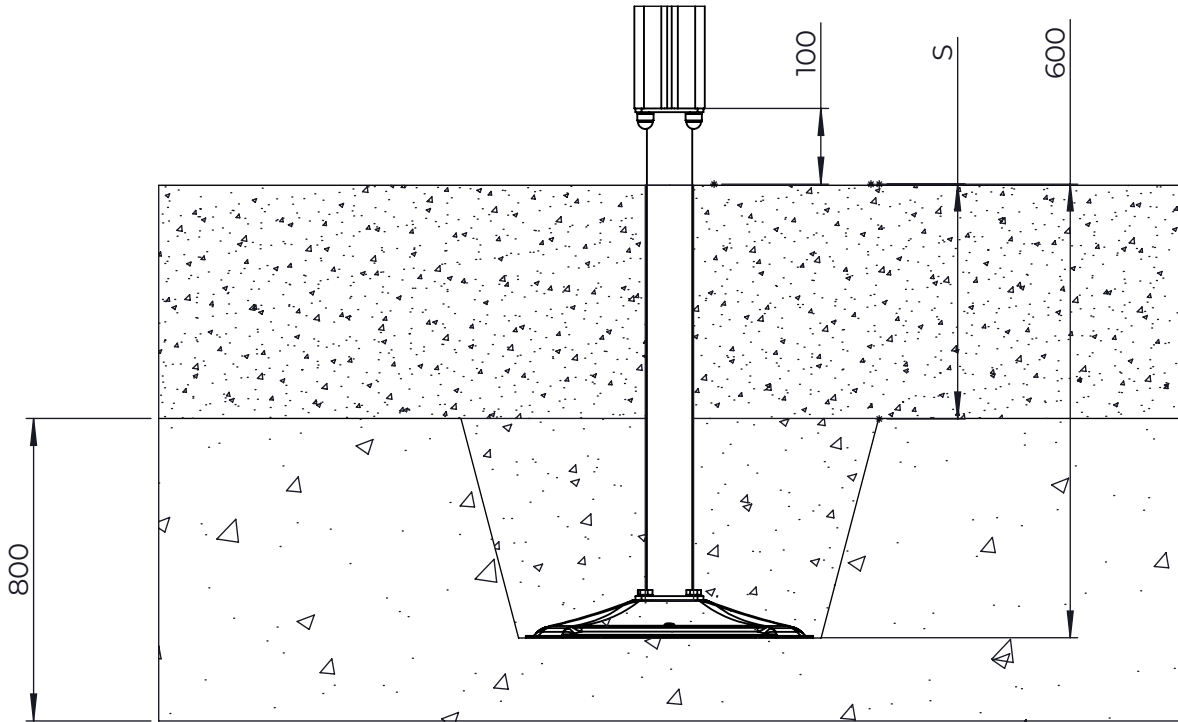
CENTER PLATE TO POST:

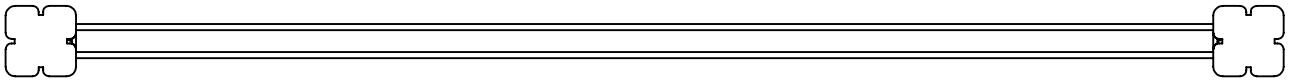
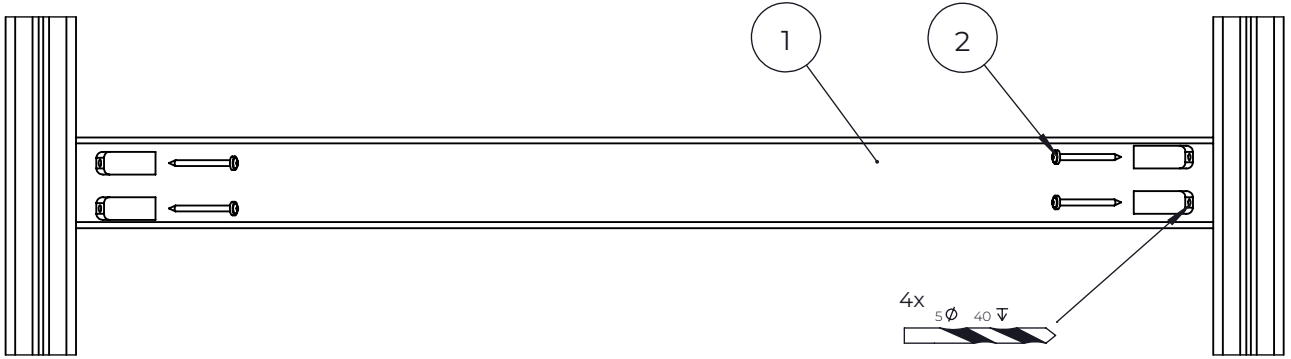


NO.	ITEM CODE			QTY.
1	711704	STEP	Ø350x20	1
2	915612-510	ANGLE PIECE	5x45/35x100 90°	2
3	905857	COUNTERSUNK SCREW	M8x35	2
4	909256	WASHER	Ø16/8.4x1.6	2
5	909633	NUT	M8	2
6	980128	SPECIAL SCREW	Ø7x40	4
7	906630	SCREW	Ø8x60	1



NO.	ITEM CODE			QTY.
1	909519	FOUNDATION PLATE	380 x 380 x 45	1
2	909639	BOLT	M10x25	4
3	909638	WASHER	Ø20 / 10.5	8
4	909637	NUT	M10	4
5	905104	OUTSIDE PLUG	M10	4
6	909511	FOUNDATION TUBE	90x90x650	1





NO.	ITEM CODE			QTY.
1	712356	BOOM	45x120x1518	1
2	903093	SPECIAL SCREW	Ø8x90	4