

Configurable

Ernst Balancing Beam

Prime , F24806M

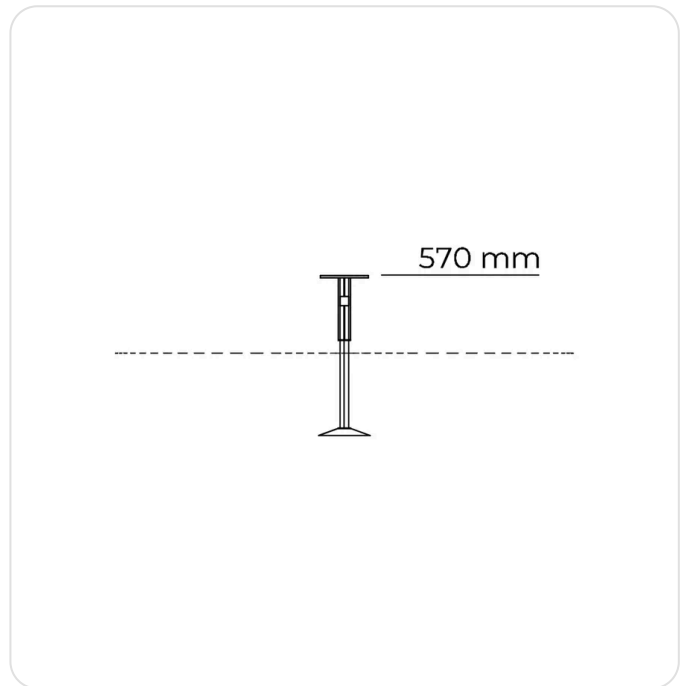
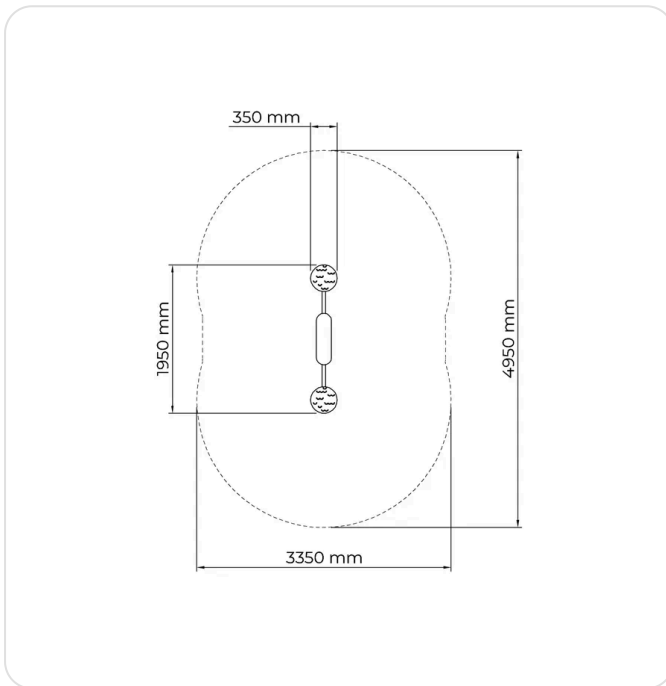
Ernst Balancing Beam brings movement, balance and challenge to ground-level play. Children aged 3 or more can step, hop, or crawl along the fun path. Building coordination, motor skills, and confidence with every move. The low profile and fall height make it especially suitable for early learners exploring movement at their own pace. Balancing steps fits well in outdoor places like schoolyards, parks, and early childhood centres, especially when combined together with other low level balancing solutions.

Basic information

User Age	3+
Number of Users	3
Safety Standard	EN 1176-1:2017

Technical information

Largest Part, mm	1515	Max Free Fall Height, PLAY, mm	570
Netto Weight, Total Shipping Weight, kg	47.148	Minimum Space/Height, mm	2370
Foundation Type	Deep mounting, Surface mounting	Safety Area, Length, mm	0
Heaviest part, kg	5.3	Width, mm	350
Falling Space, Length, mm	4950	Falling Space, Width, mm	3350
Falling Space, m ²	14	Length, mm	1950
Height, mm	570	Safety Area, Width, mm	0
Impact Area, m ²	0		




[i](https://lap-integrations-prod.azurewebsites.net/api/pim/installation-instructions?productN...) Installation instructions: <https://lap-integrations-prod.azurewebsites.net/api/pim/installation-instructions?productN...>

[i](https://www.lappset.com/en-GB/playground-installation) Read more about installation: <https://www.lappset.com/en-GB/playground-installation>




General warranty information

- **20 years:** Steel components and high-pressure laminate (HPL)
- **15 years:** Wooden posts
- **10 years:** Surface finish of steel and aluminum, and hot-dip galvanized surface treatment
- **10 years:** Guaranteed availability of spare parts
- The general warranty terms do not apply to third-party products.
- This overview covers the main warranty periods for Lappset's key materials.

For full details and specific terms or limitations, please see the complete warranty conditions [here](#).

 Read more about warranty: <https://www.lappset.com/en-GB/warranty>

Wooden posts

-  Preserved pine, natural tone
-  Premium brown
-  Platinum grey

Walls/HPL parts

-  Lemonade yellow RAL 1018
-  Moss green RAL 6021
-  Lake blue RAL 5009
-  Terracotta red RAL 8004
-  Platinum grey NCS S4005-Y50R