

Tanja Balancing Step

Prime , F24808M

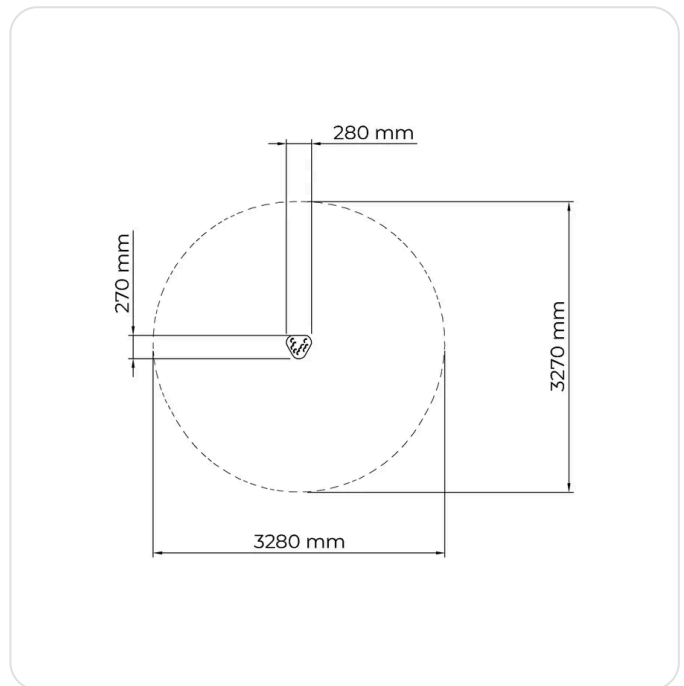
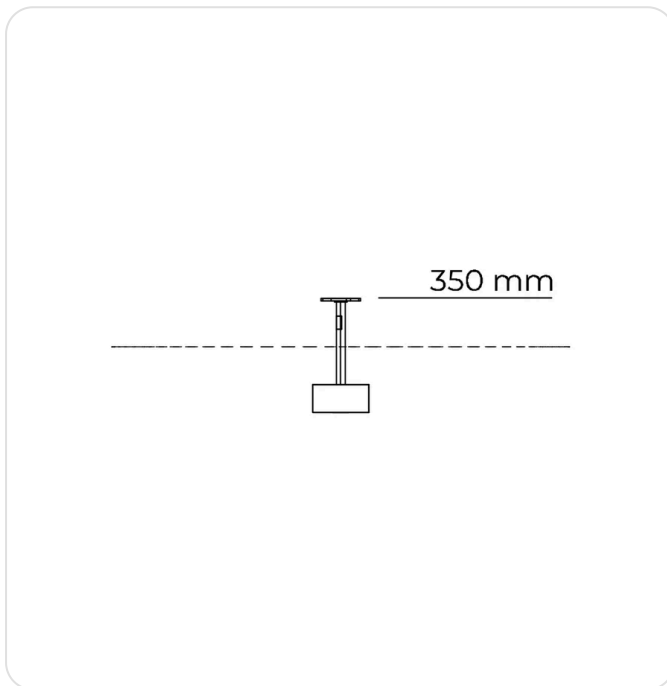
Tanja Balancing Step brings movement, balance and challenge to ground-level play. Children aged 3 or more can step, hop, or crawl along the fun path. Building coordination, motor skills, and confidence with every move. The low profile and fall height make it especially suitable for early learners exploring movement at their own pace. Balancing steps fits well in outdoor places like schoolyards, parks, and early childhood centres, especially when combined together with other low level balancing solutions.

Basic information

| | |
|-----------------|----------------|
| User Age | 3+ |
| Number of Users | 1 |
| Safety Standard | EN 1176-1:2017 |

Technical information

| | | | |
|-----------------------------------------|---------------------------------|--------------------------------|------|
| Amount of Concrete, m ³ | 0.032 | Height, mm | 350 |
| Largest Part, mm | 800 | Max Free Fall Height, PLAY, mm | 350 |
| Netto Weight, Total Shipping Weight, kg | 5.022 | Minimum Space/Height, mm | 2150 |
| Foundation Type | Deep mounting, Surface mounting | Width, mm | 270 |
| Heaviest part, kg | 3.4 | Falling Space, Width, mm | 3270 |
| Falling Space, Length, mm | 3280 | Length, mm | 280 |
| Falling Space, m ² | 8 | | |



[Installation instructions: https://lap-integrations-prod.azurewebsites.net/api/pim/installation-instructions?productN...](https://lap-integrations-prod.azurewebsites.net/api/pim/installation-instructions?productN...)

[Read more about installation: https://www.lappset.com/en-GB/playground-installation](https://www.lappset.com/en-GB/playground-installation)

General warranty information

- **20 years:** Steel components and high-pressure laminate (HPL)
- **15 years:** Wooden posts
- **10 years:** Surface finish of steel and aluminum, and hot-dip galvanized surface treatment
- **10 years:** Guaranteed availability of spare parts
- The general warranty terms do not apply to third-party products.
- This overview covers the main warranty periods for Lappset's key materials.

For full details and specific terms or limitations, please see the complete warranty conditions [here](#).

Read more about warranty: <https://www.lappset.com/en-GB/warranty>

Metal parts

- Platinum grey NCS
S4005-Y50R

Walls/HPL parts

- Platinum grey NCS
S4005-Y50R
- Bubblegum pink
- Terracotta red RAL 8004
- Lake blue RAL 5009
- Lemonade yellow RAL
1018