



DESCRIPTION

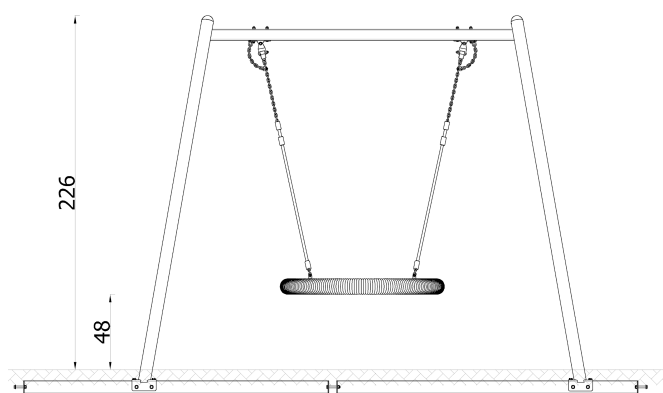
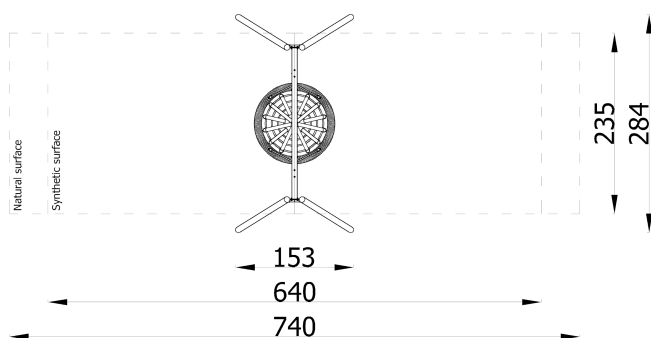
The device is made of stainless steel. Seat type "birdnest". Polypropylene ropes reinforced with a steel core. Steel fastening protected against corrosion by zinc layer and powder coating. Device installed in accordance with the assembly manual.

INFORMATION

Number of users	2
Age range	3 - 14
Device dimensions [m]	1.53 x 2.35 x 2.26
Compliance with the norm	EN-1176-1:2017-12
Spare parts	Available

SAFETY SURFACE

Zone	Max height of fall [m]	Area [m ²]	Perimeter of safety zone [m]
A	1.3	17.5	19.5
B	-	-	
C	-	-	



Swinging