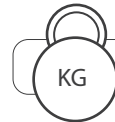
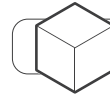


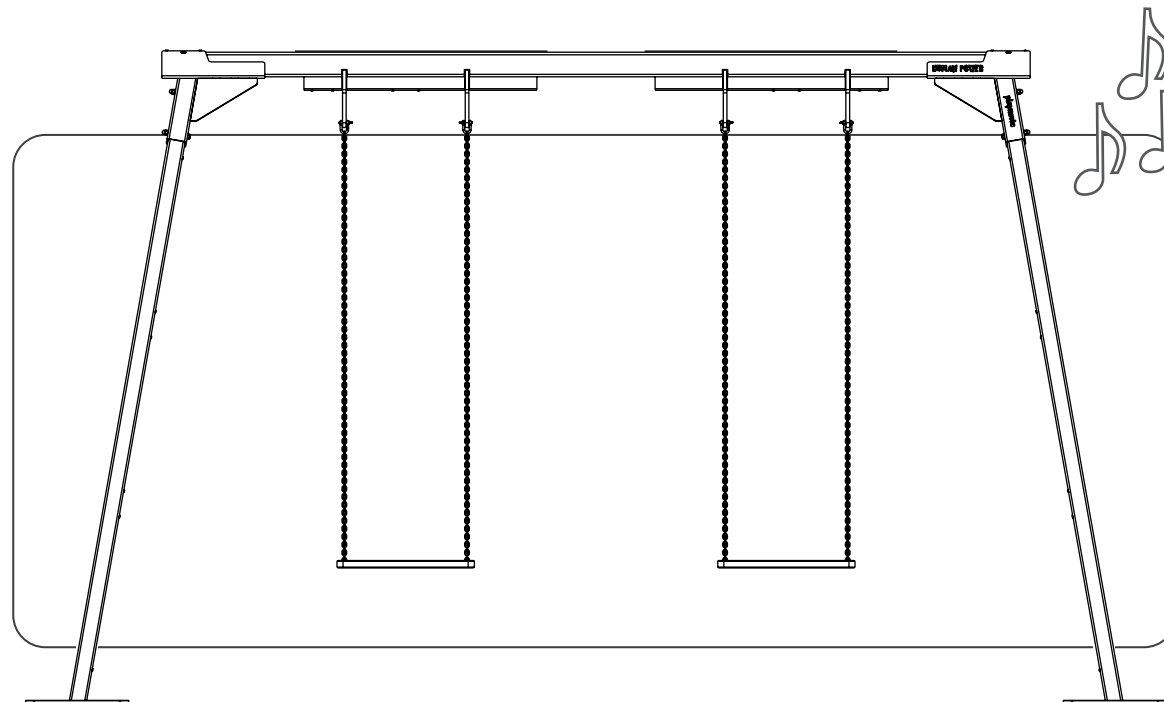
# Kinetic Swing Installation Instruction



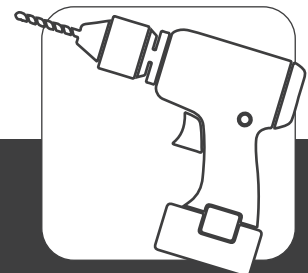
450 kilogram



4526 x 1846 x 2661 (mm)



SW90017\_14102019

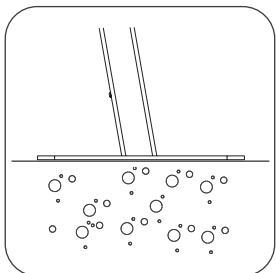
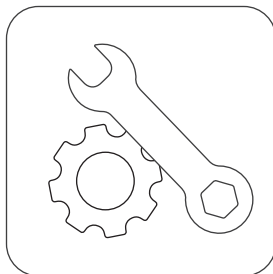




3 ..... Obstacle free zone

Assemble product

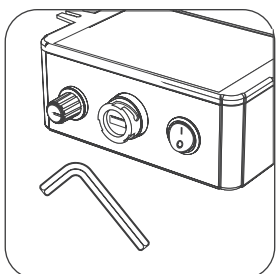
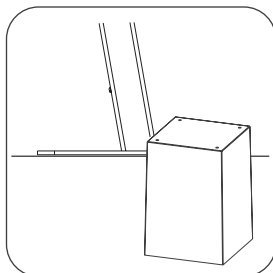
4



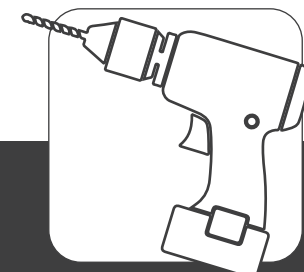
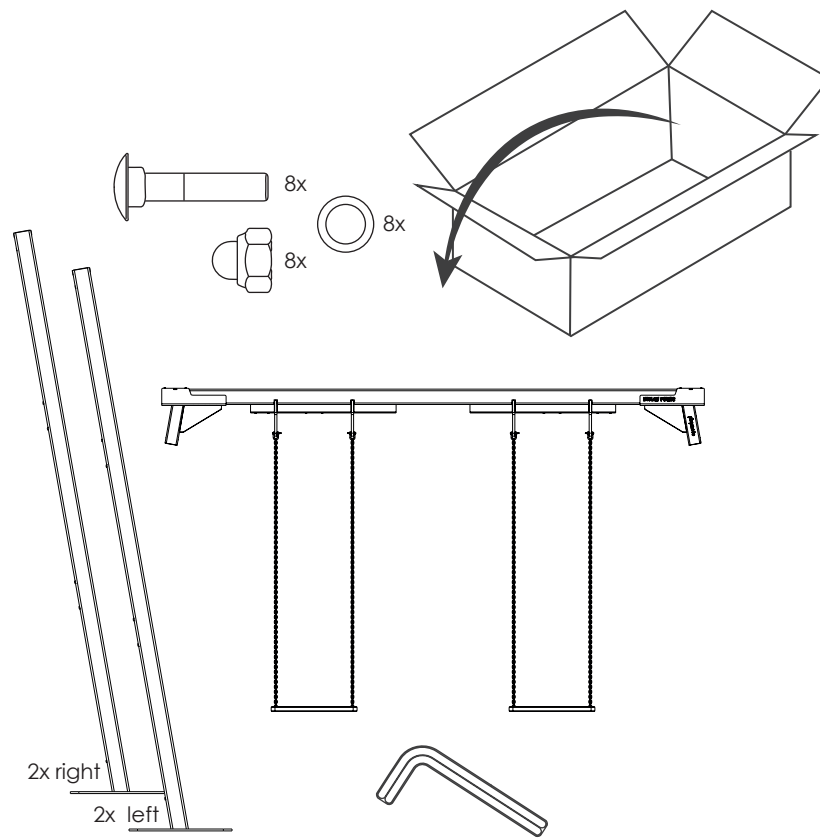
8 ..... Foundation option 1:  
Surface mounted

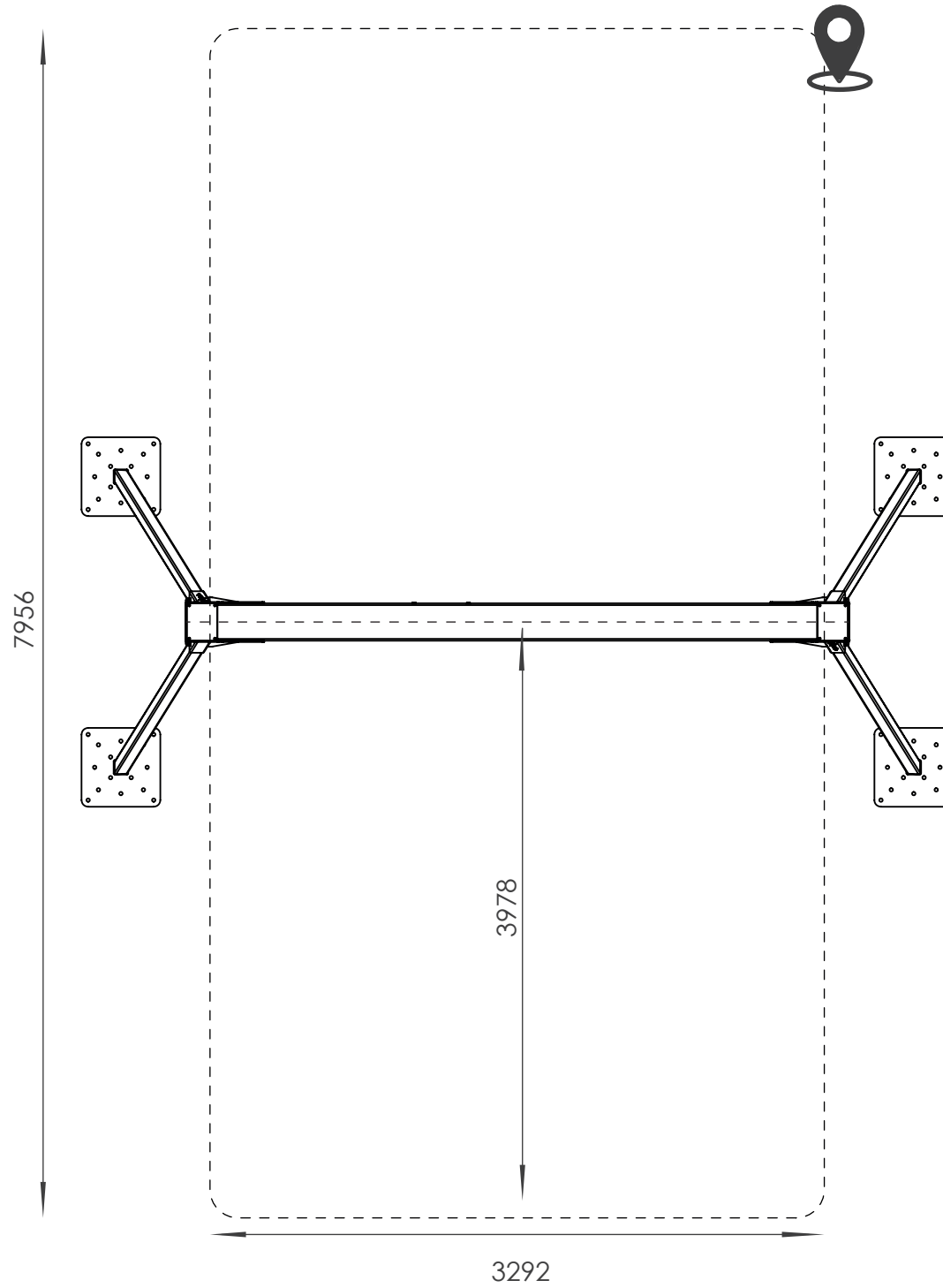
Foundation option 2:  
Concrete base

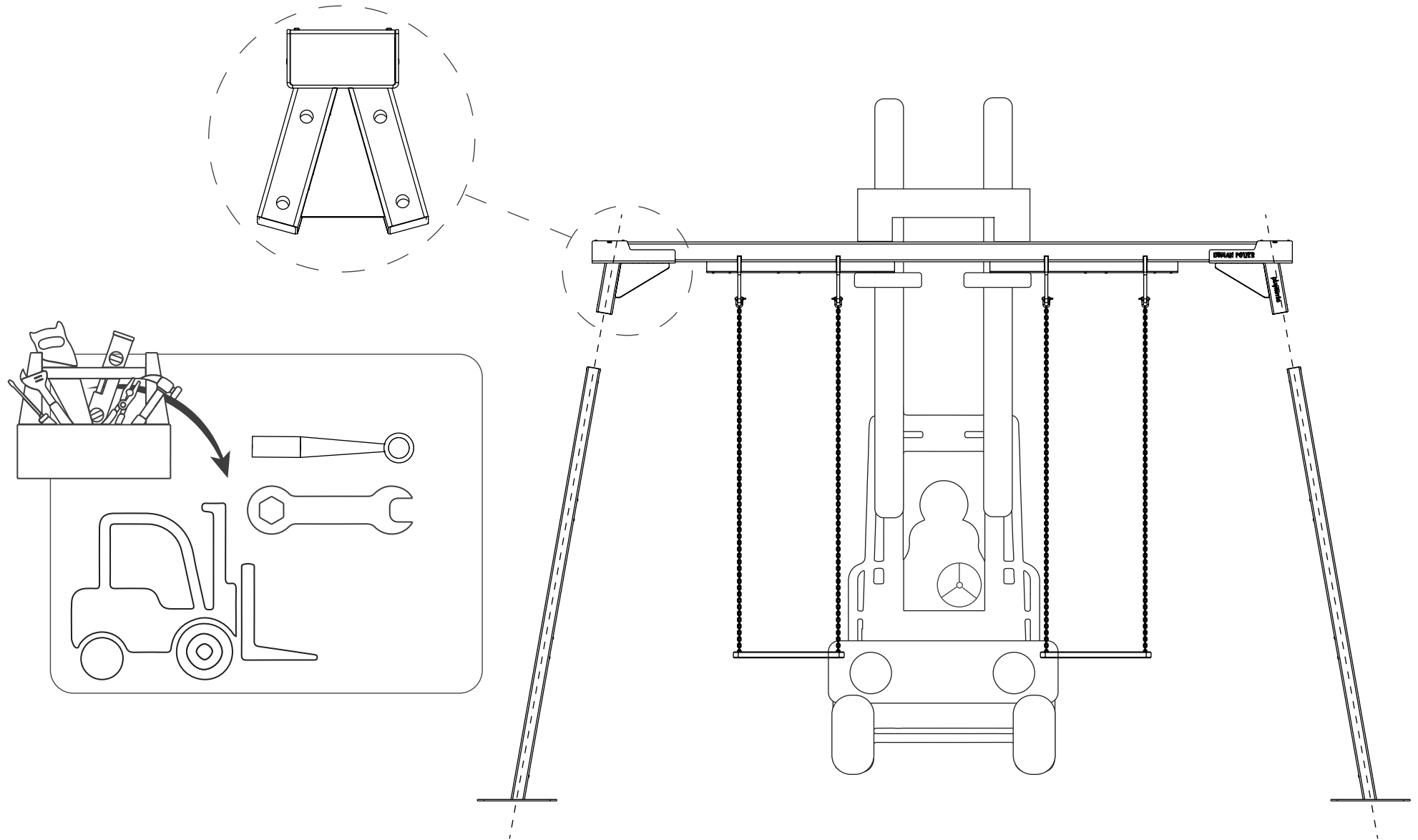
10

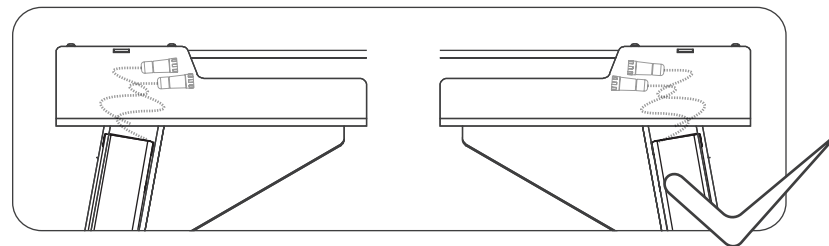
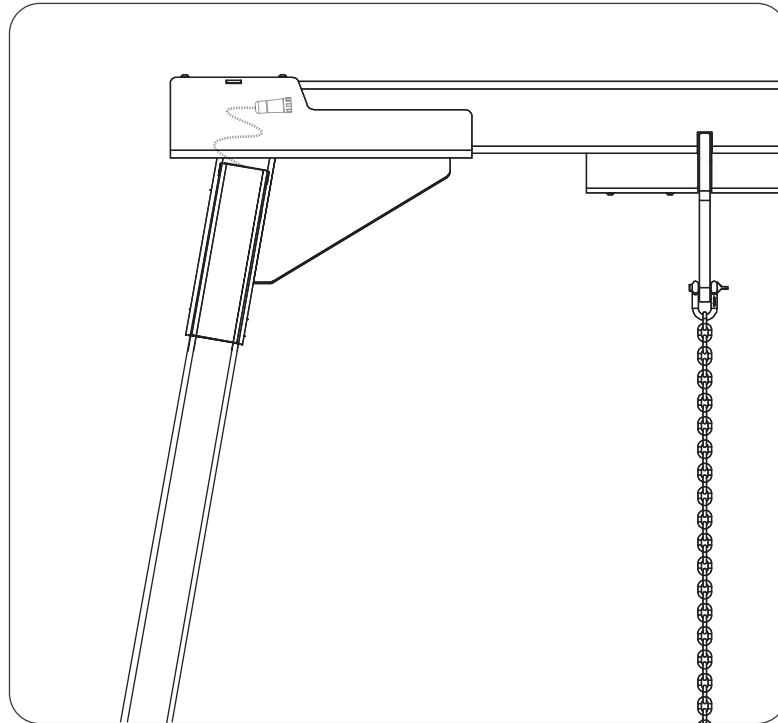
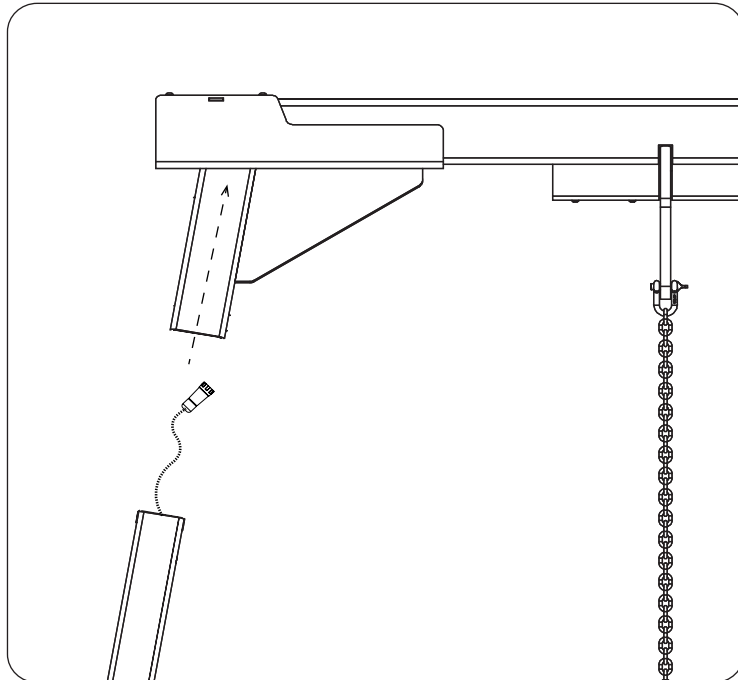
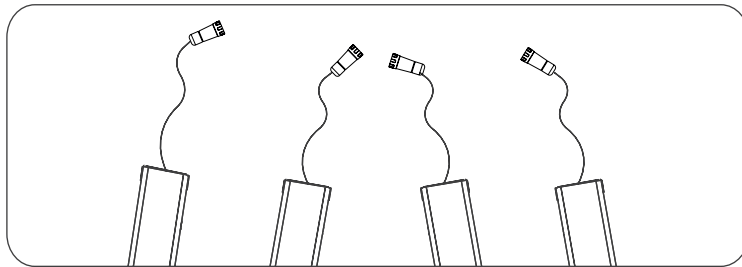


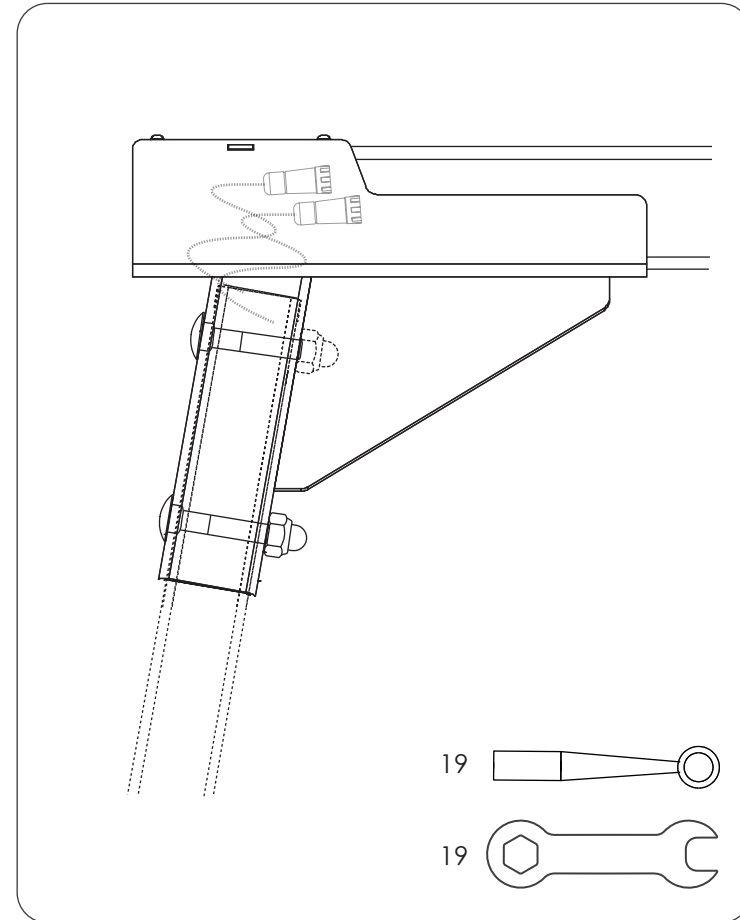
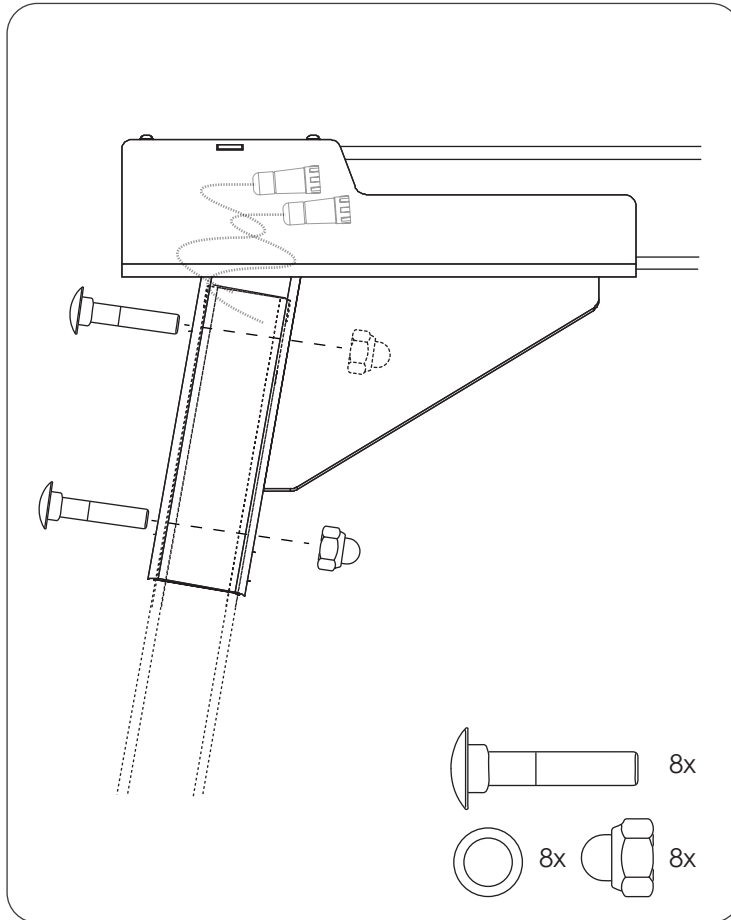
12 ..... Open service hatch

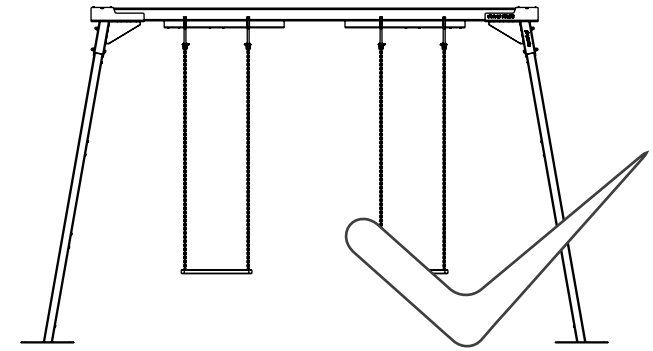
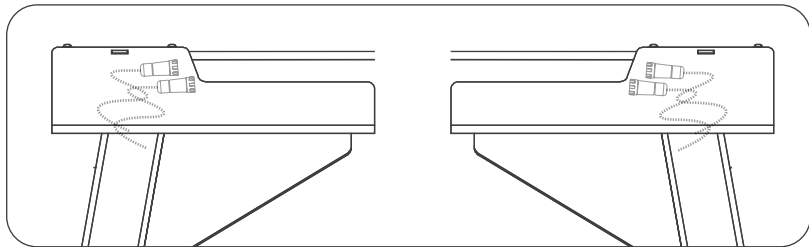
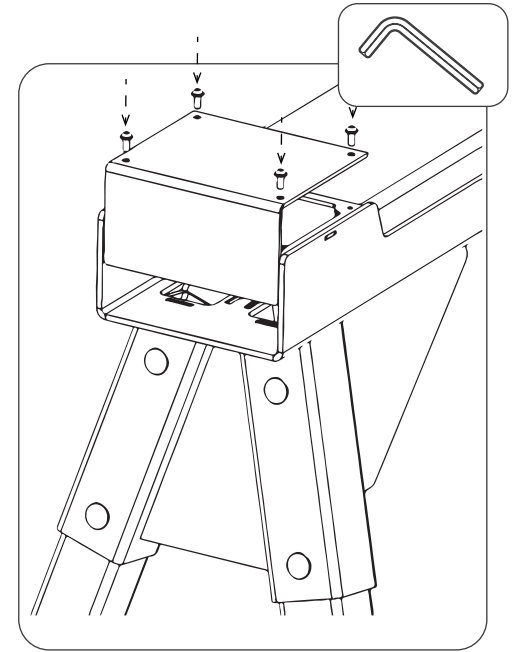
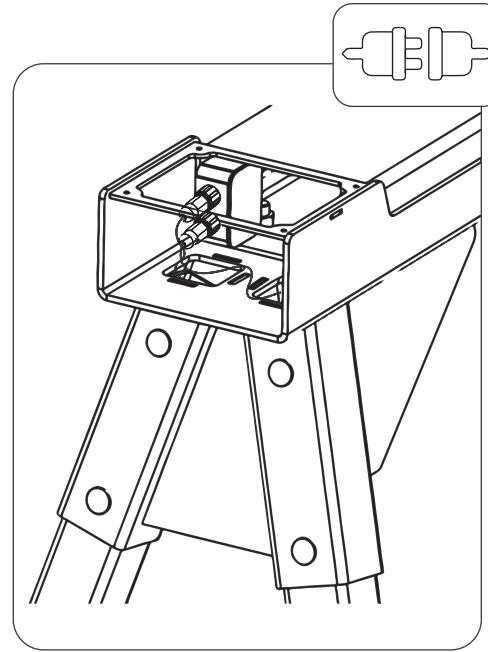
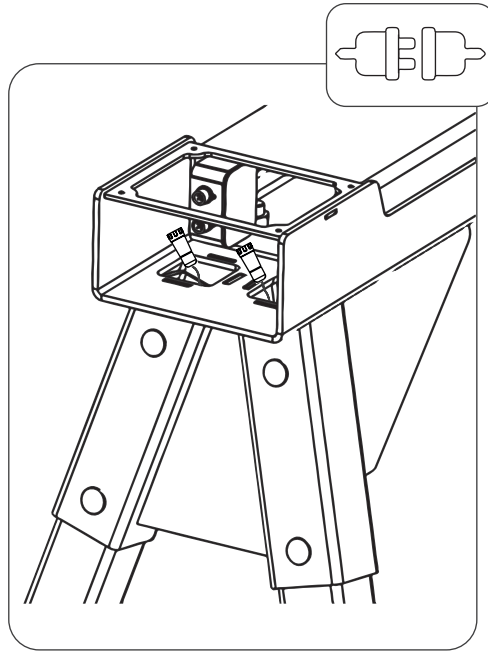
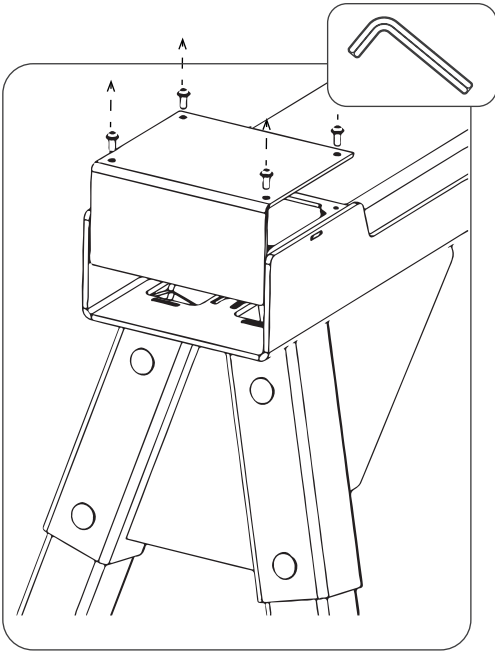


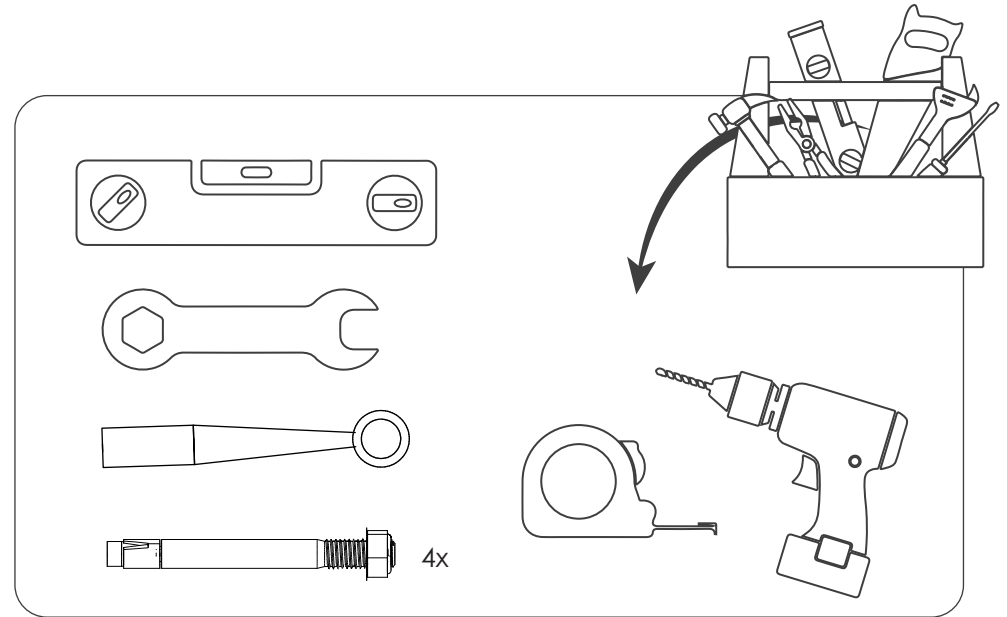
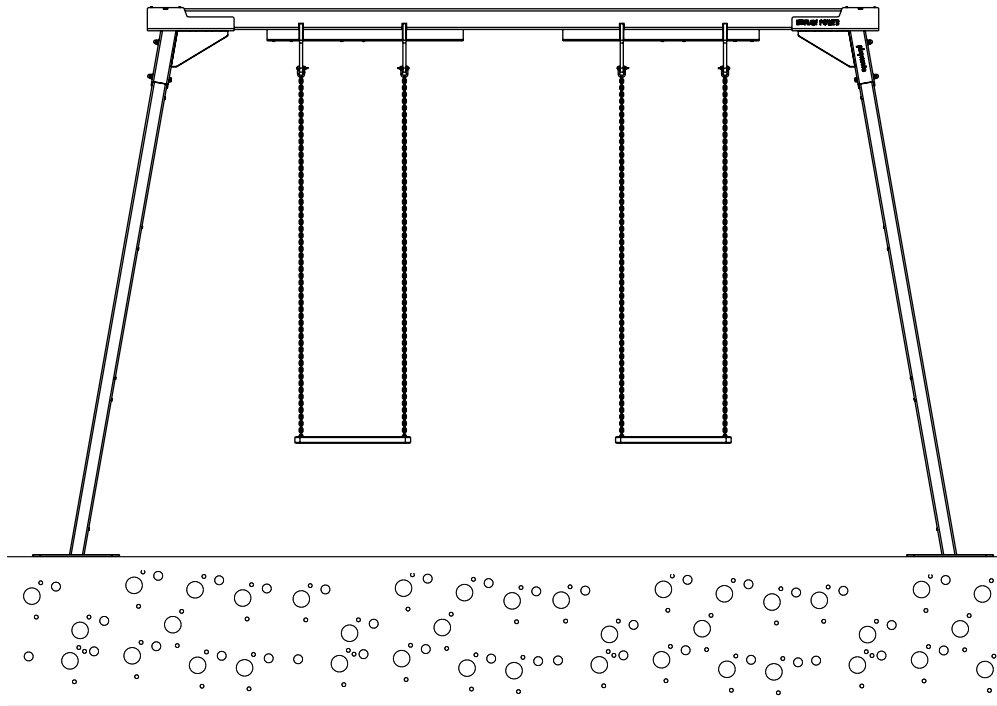




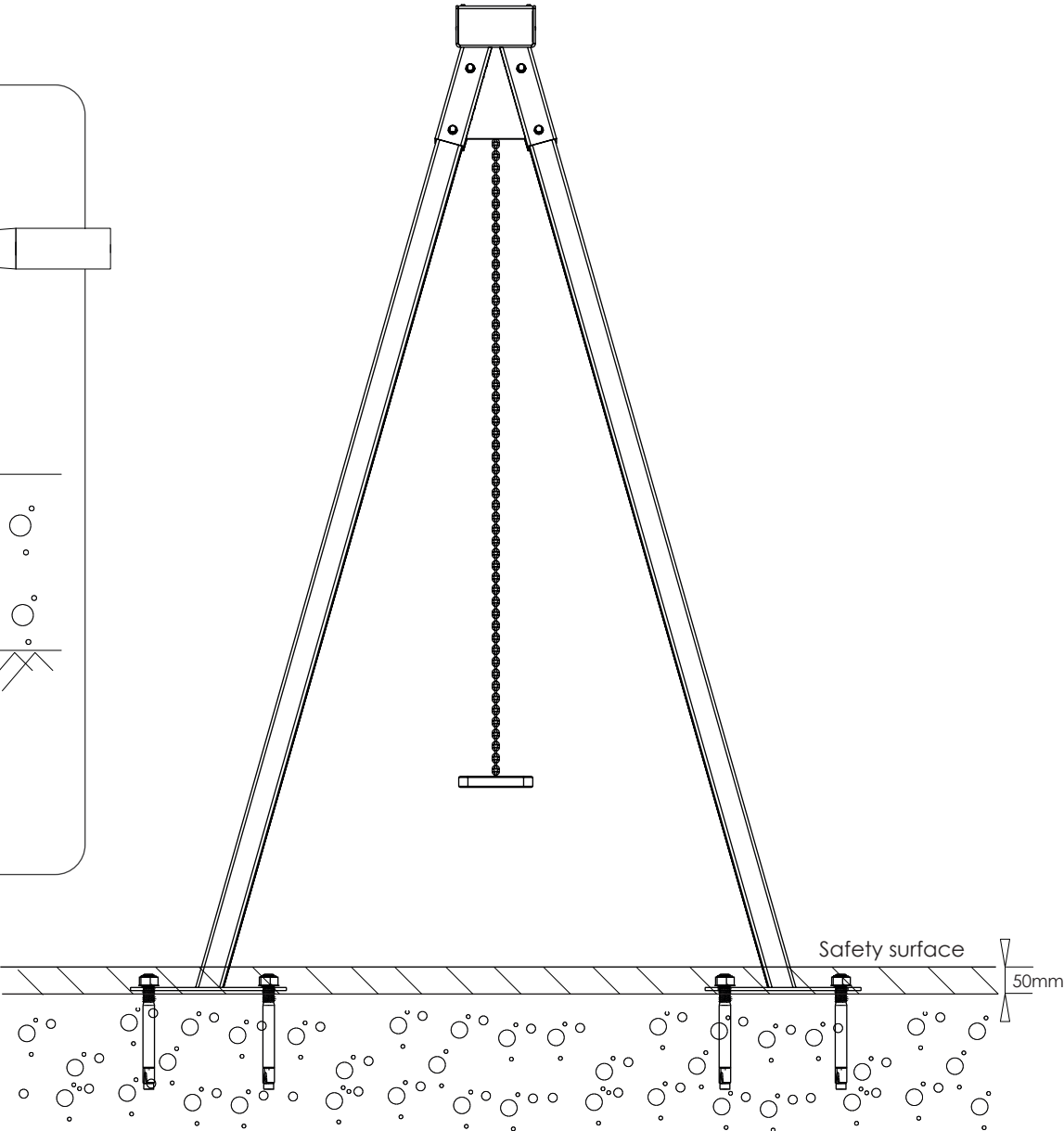
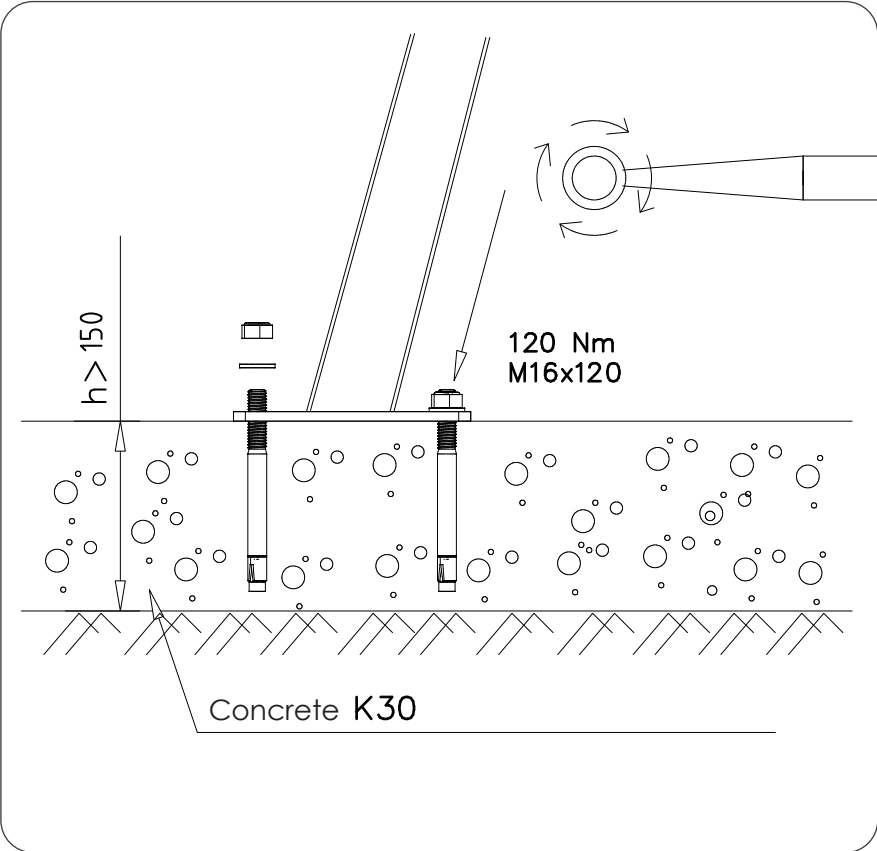


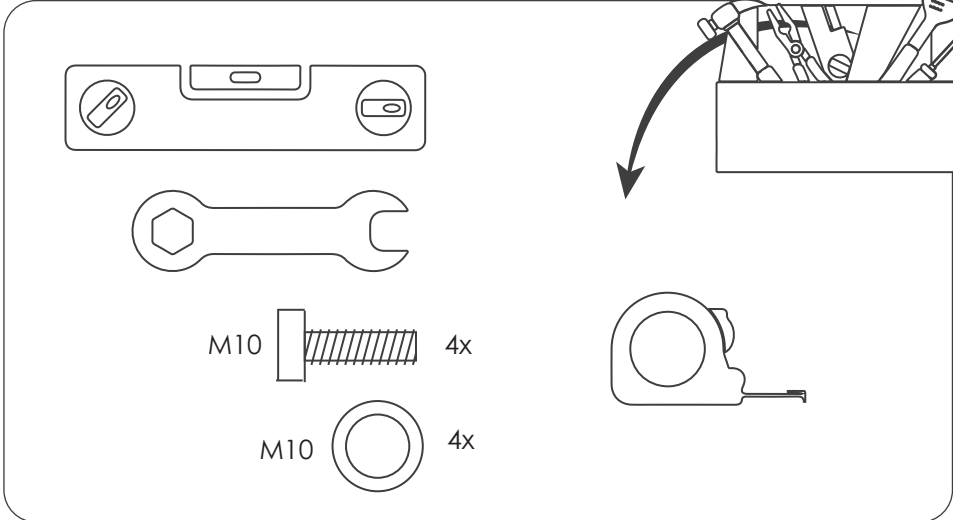
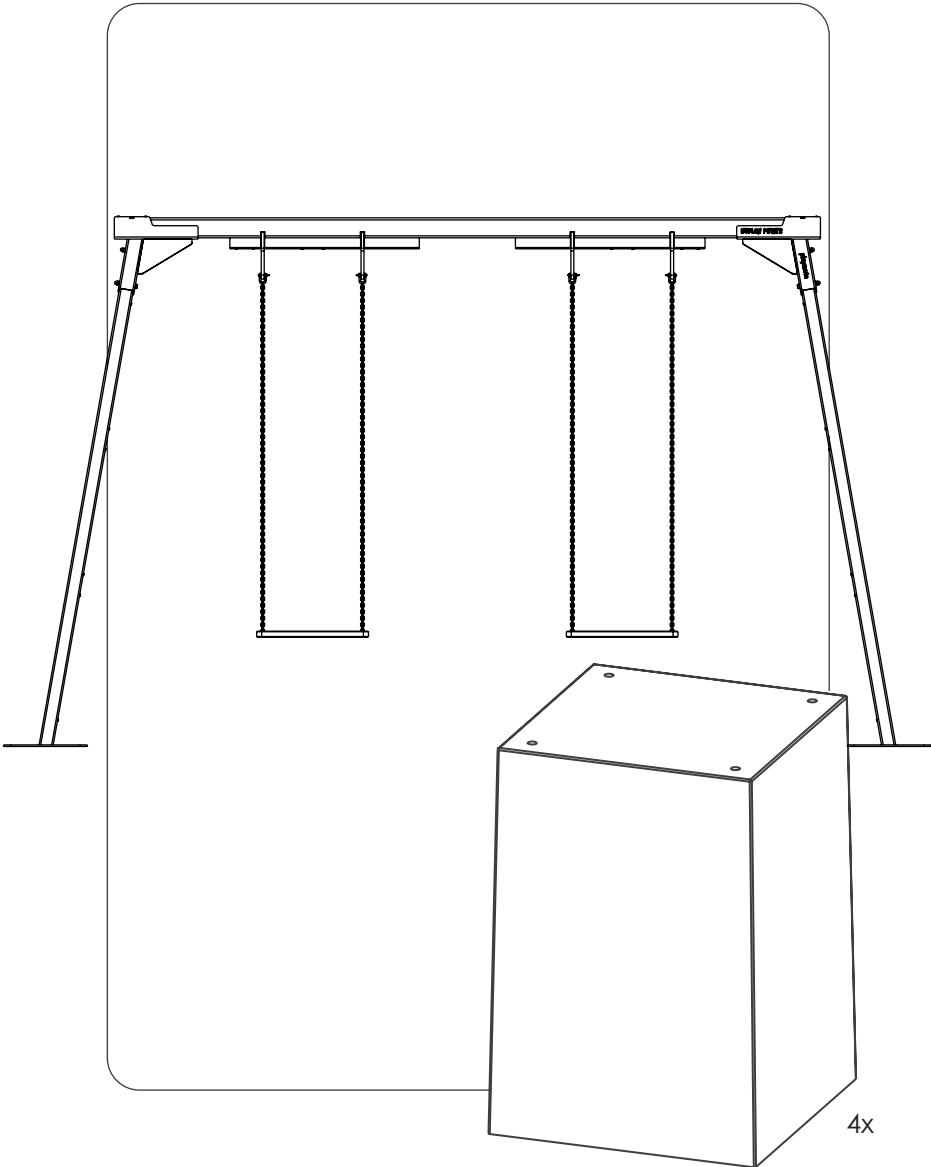


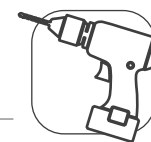
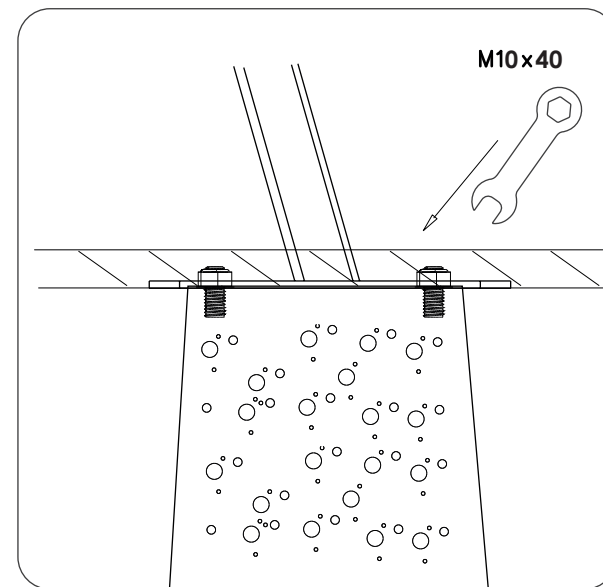
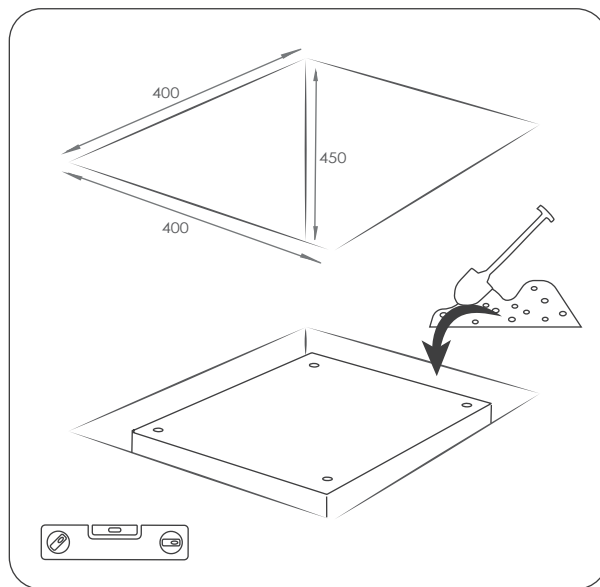
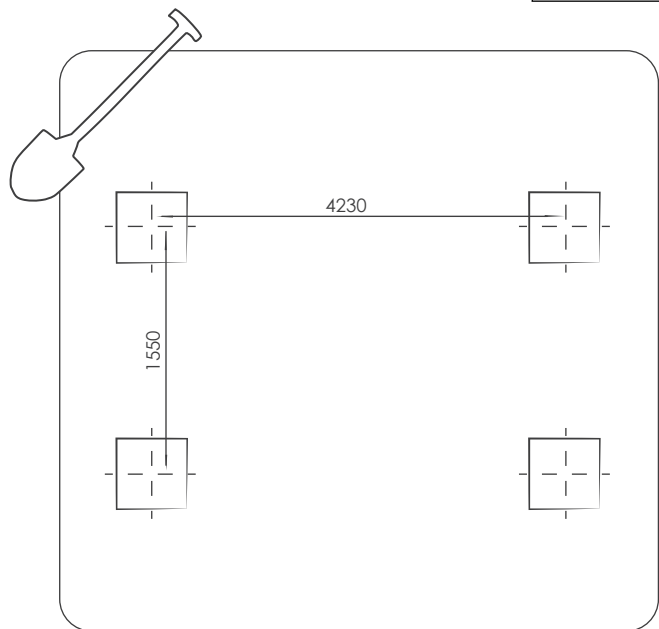
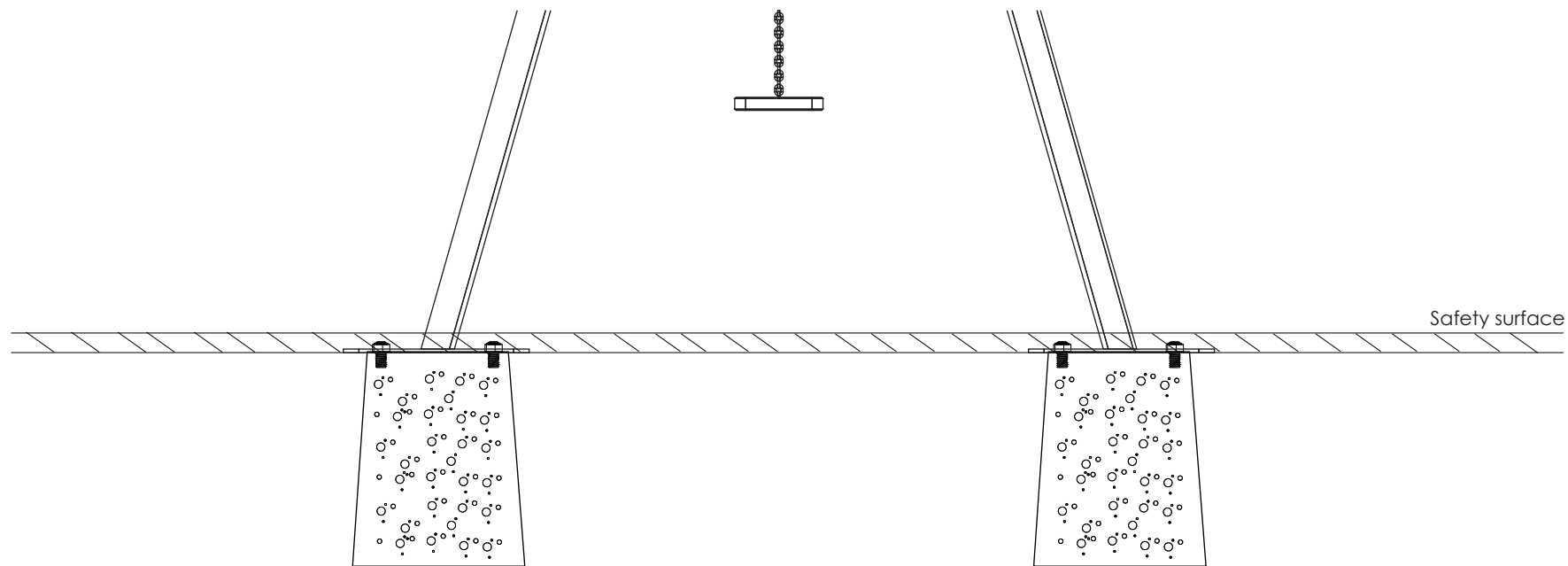












# Open the service hatch

\* Find more information about the computer in the KineticSwing User Manual

