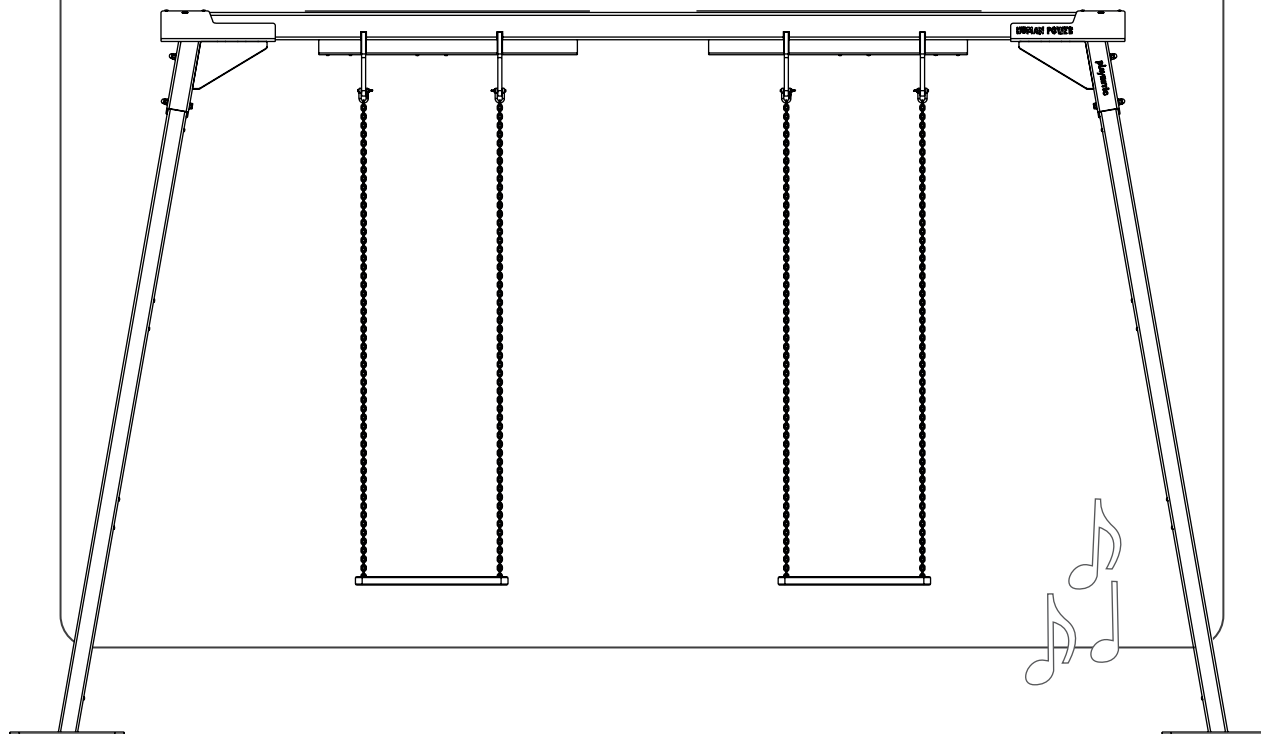
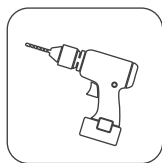


# Kinetic Swing User Manual



KSW90017\_31032020

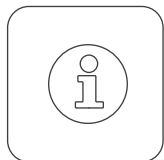




3 ..... Install the Product

Overview Product

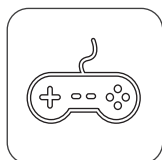
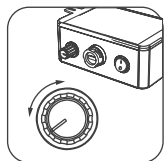
3



3 ..... Check Interactive Elements

Control the Volume

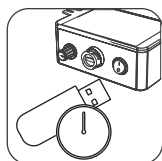
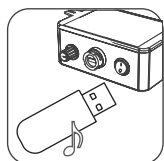
4



4 ..... Play and Test

Change the Content

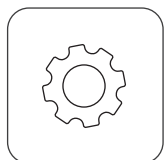
6



8 ..... Install and Manage a Timelock

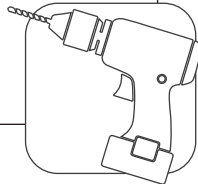
Maintenance

9

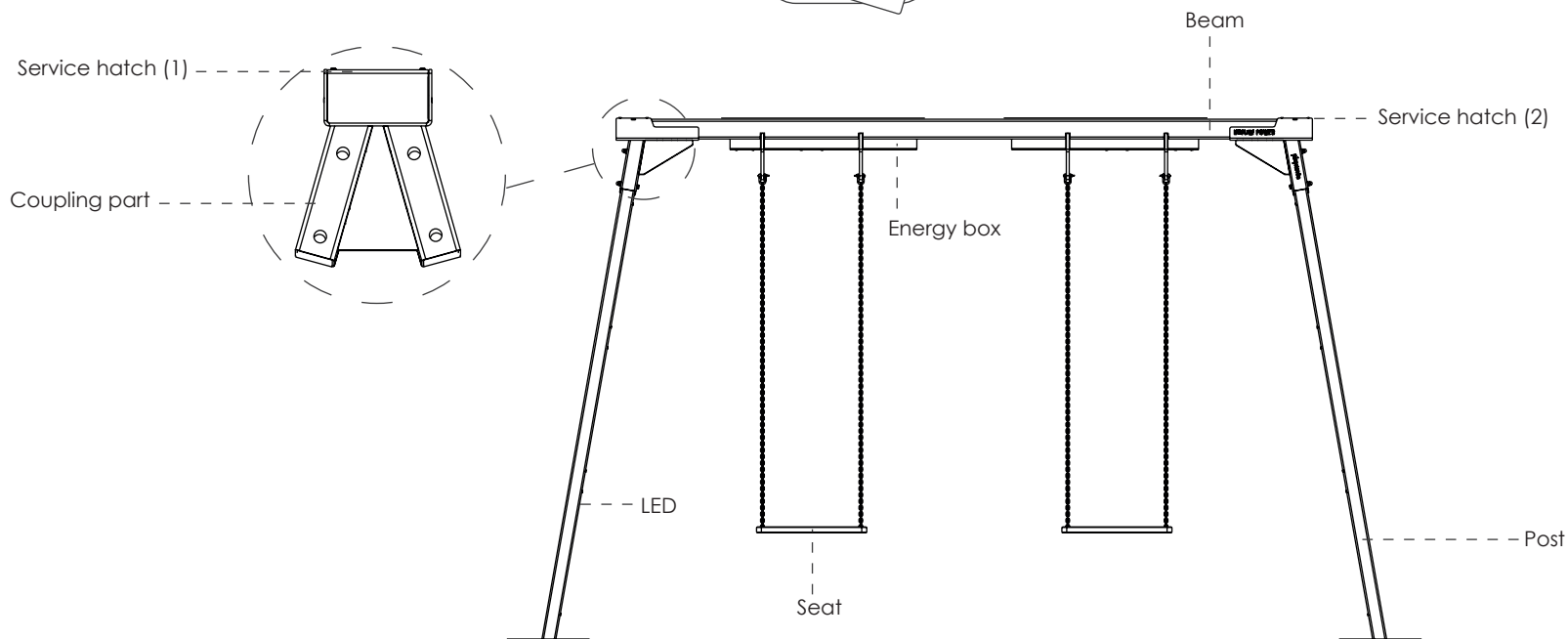
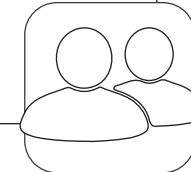


**Install the Product**

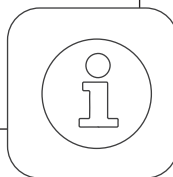
Install the product according to the Playnetic Installation Manual. During the installation, make sure that the potential users can not be exposed to hazards / dangerous situations. Check the stability of the product.

**Number of Users**

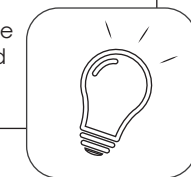
Playnetic recommends you to use the product with a maximum of two users.

**Overview Product**

The overview above shows where all important parts can be found.

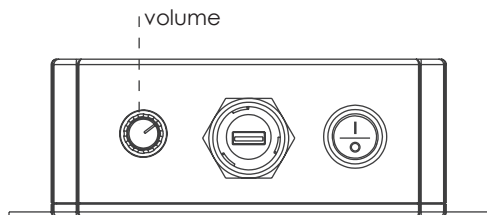
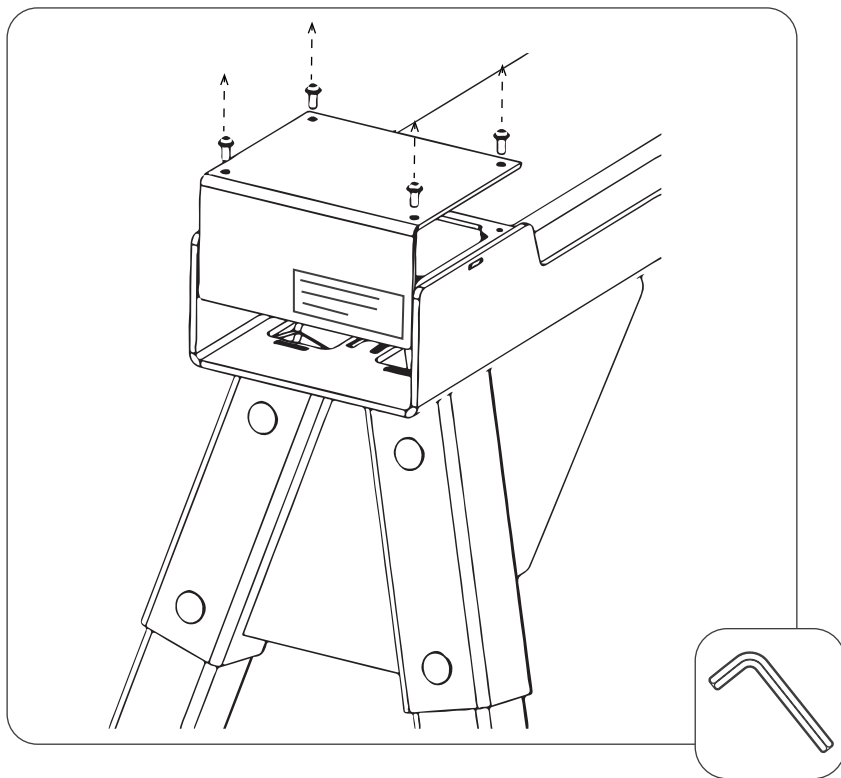
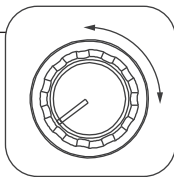
**Check Interactive Elements**

Use the product and generate energy. If applicable, check that the interactive elements such as the music, lights, smell, electronic- and mechanical parts are working properly.



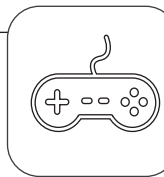
**Control the Volume**

1. Remove the bolts with the supplied hex key.
2. Remove the service hatch with the label.
3. Generate energy with the product.
4. Adjust the volume.
5. Close the service hatch.

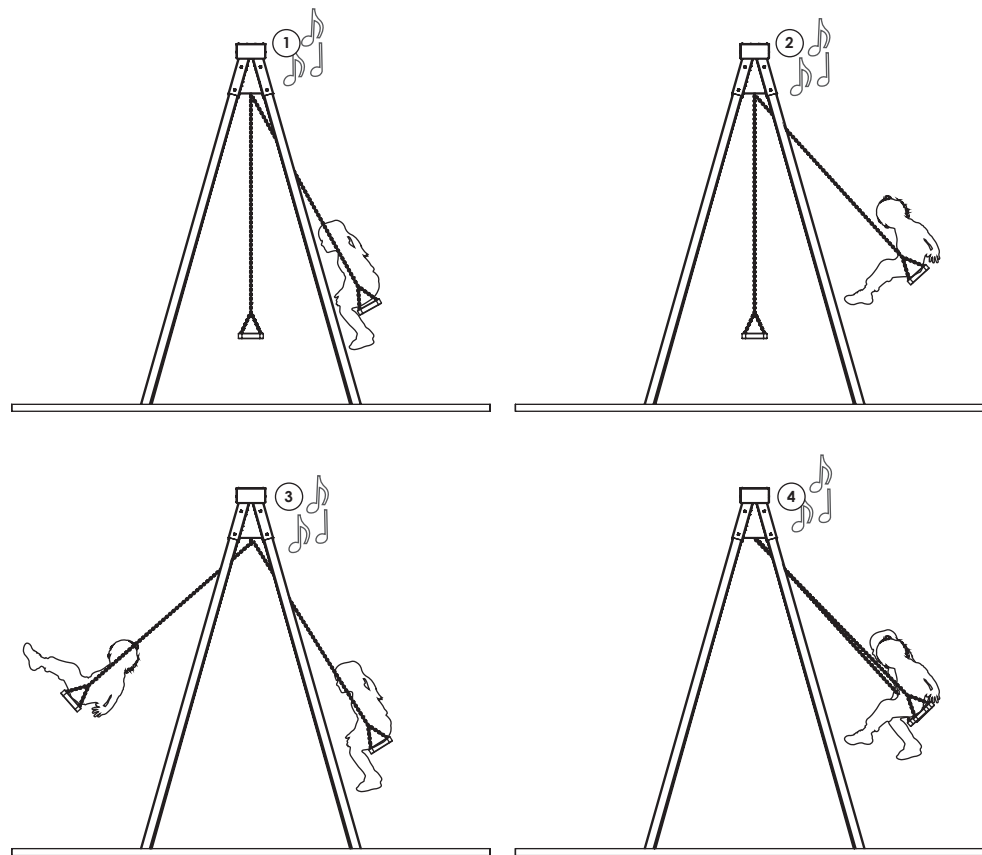


**Play and Test**

1. Generate energy with the product.
2. Test if 4 different fragments are played by using the different positions/movements.



\*Are the tests incorrect? Then change the content. Follow the instructions in the Playnetic User Manual.



--- Read more --->

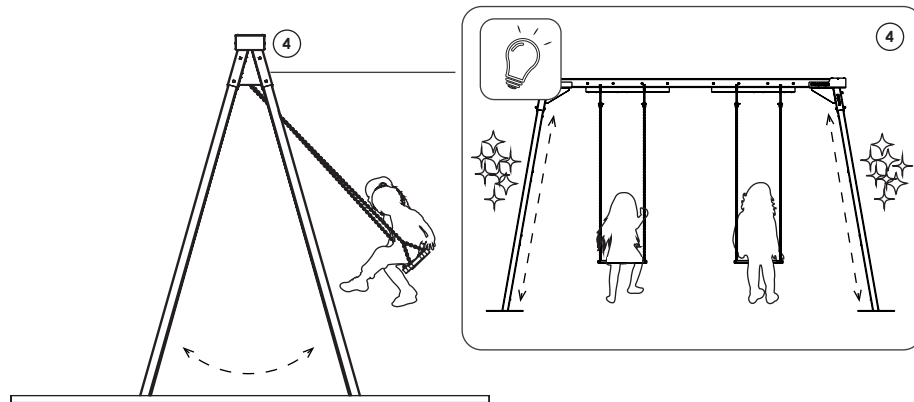
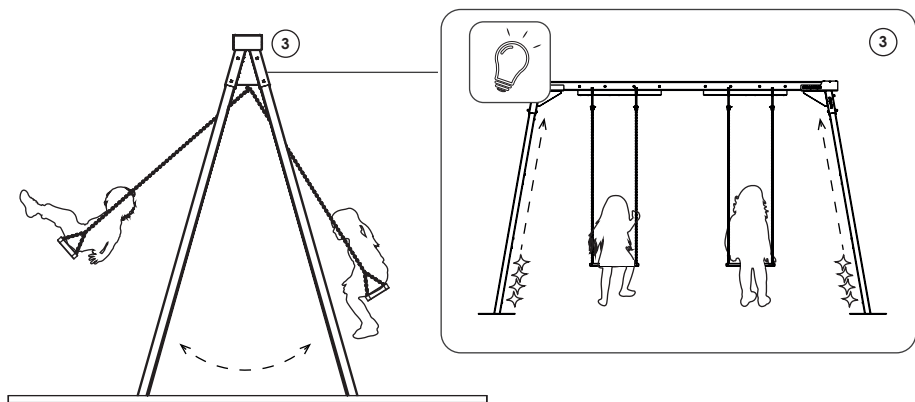
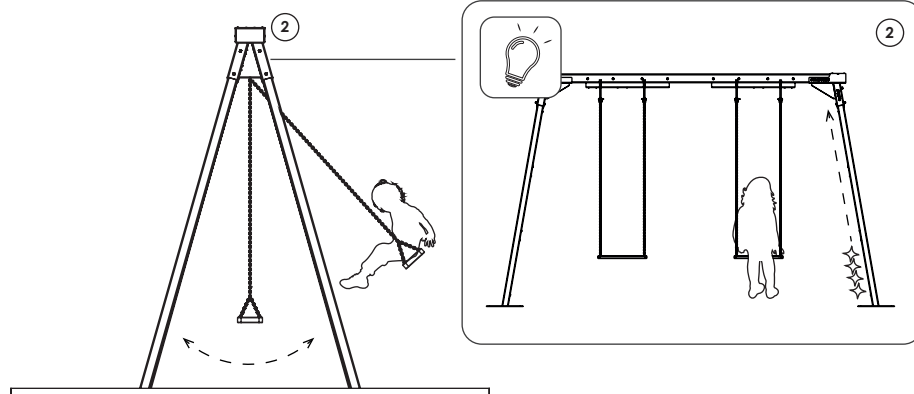
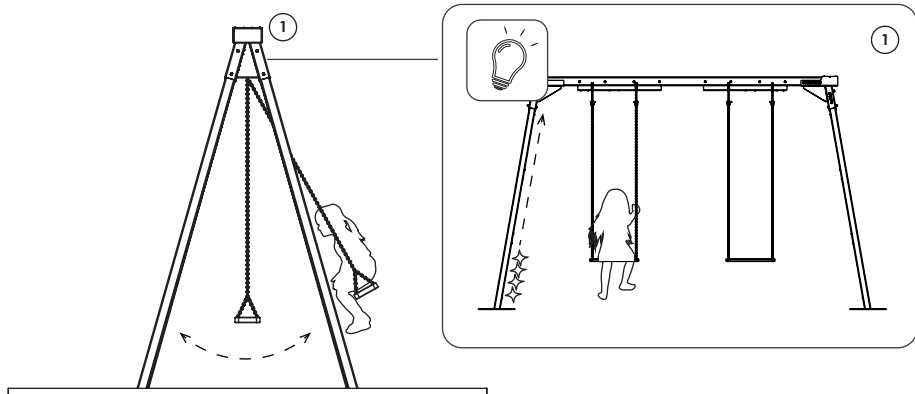
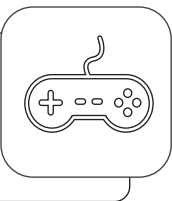




**Play and Test**

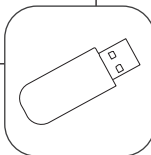
3. Test if the right LED line runs in the correct direction by using the different positions/movements.

\*Are the tests incorrect? Then contact your dealer.

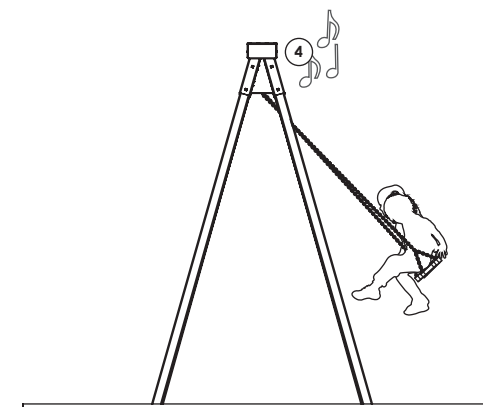
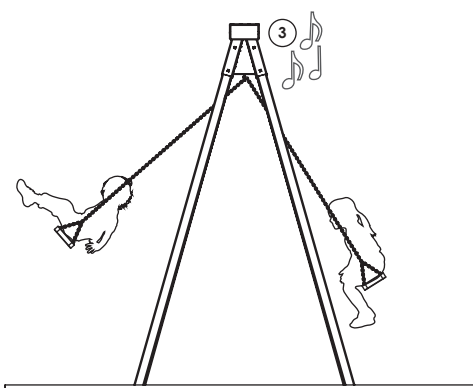
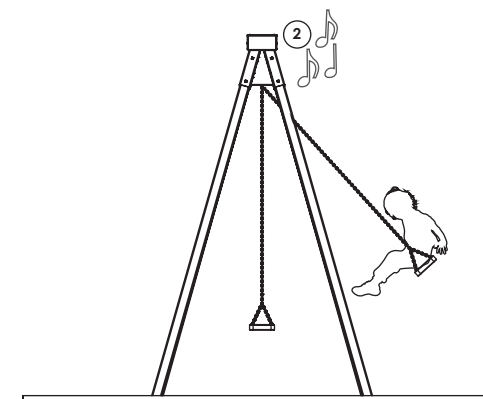
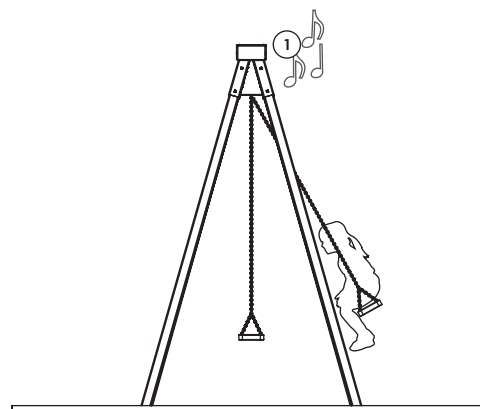
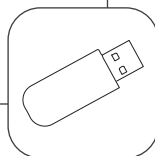


### Change the Content

1. Get a USB stick. Make sure that you meet the following requirements:
  - a. Only use MP3-files.
  - b. The name of the MP3 file needs to have at least 5 characters.
  - c. The name of the MP3 file can't contain any strange characters.
  - d. A single MP3 file can not be bigger than 2 MB.
2. Make sure you put 4 MP3-files on the USB. Place them in the correct sequence, matched to the positions/movements.



- |   |  |  |
|---|--|--|
| 1 |   | <b>Sound_A</b><br>Geluid met MP3-indeling<br>1,46 MB |
| 2 |   | <b>Sound_B</b><br>Geluid met MP3-indeling<br>1,79 MB |
| 3 |   | <b>Sound_C</b><br>Geluid met MP3-indeling<br>1,18 MB |
| 4 |  | <b>Sound_D</b><br>Geluid met MP3-indeling<br>1,18 MB |

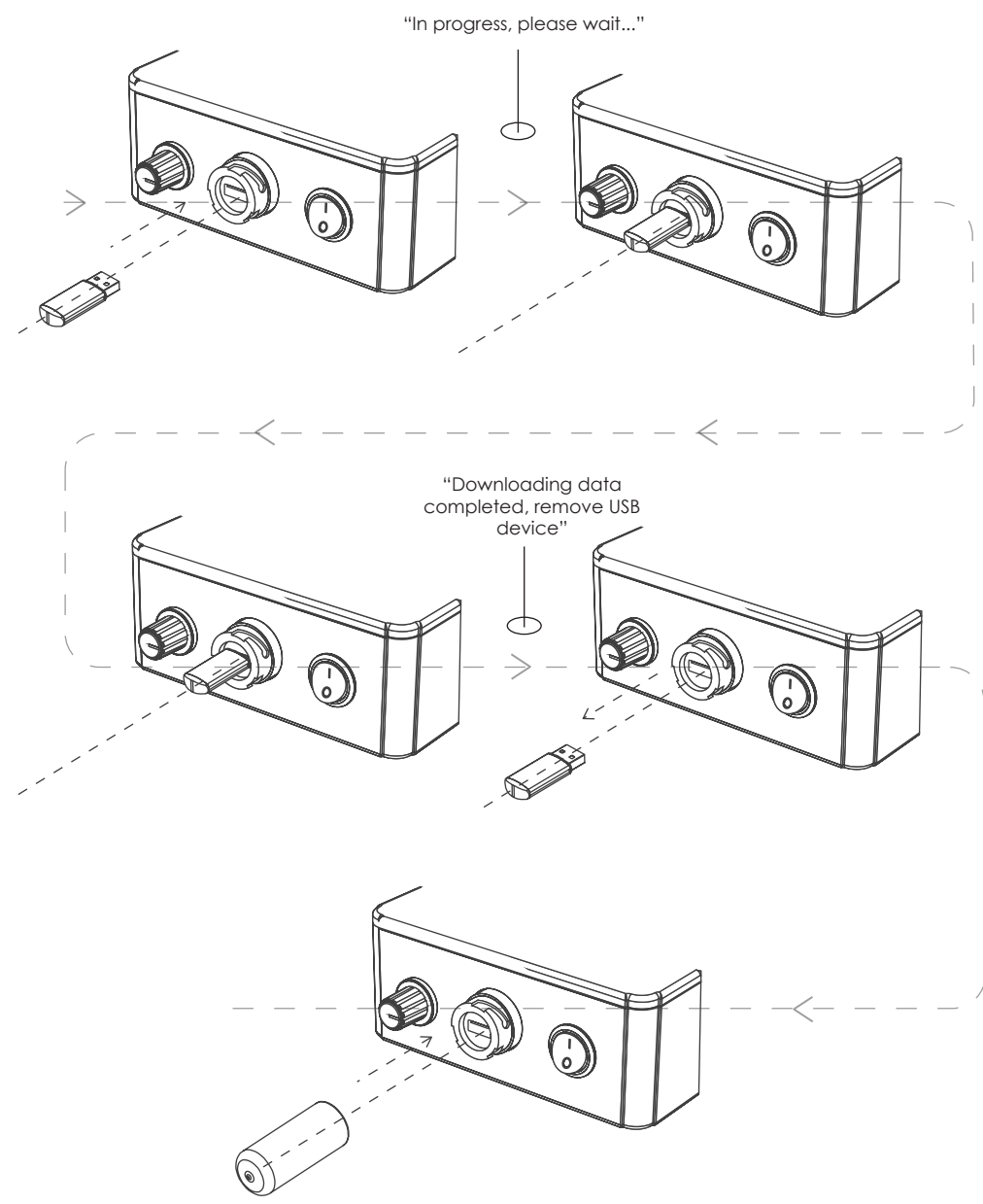
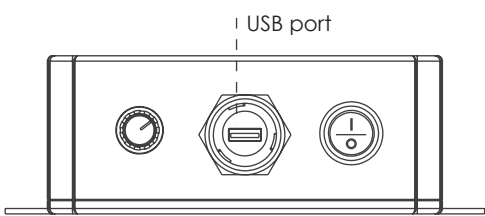
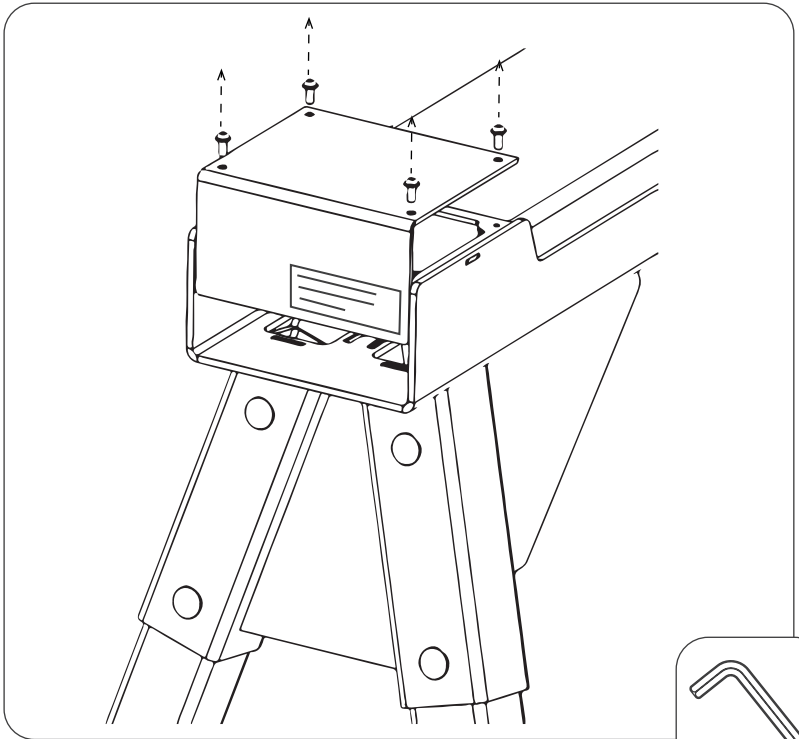
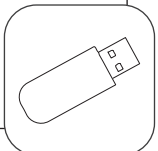


--- Read more --->



**Change the Content**

- 2. Use the supplied hex key and unscrew the bolts.
- 3. Remove the service hatch with the label.
- 4. Put the USB stick into the computer.
- 5. Generate energy with the product. Wait until the update is completed. Remove the USB stick after completion.
- 6. Make sure that you put the dust cover back over the USB port.
- 7. Close the service hatch.

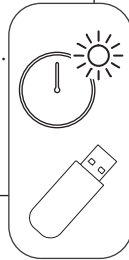


**Receive Timelock**

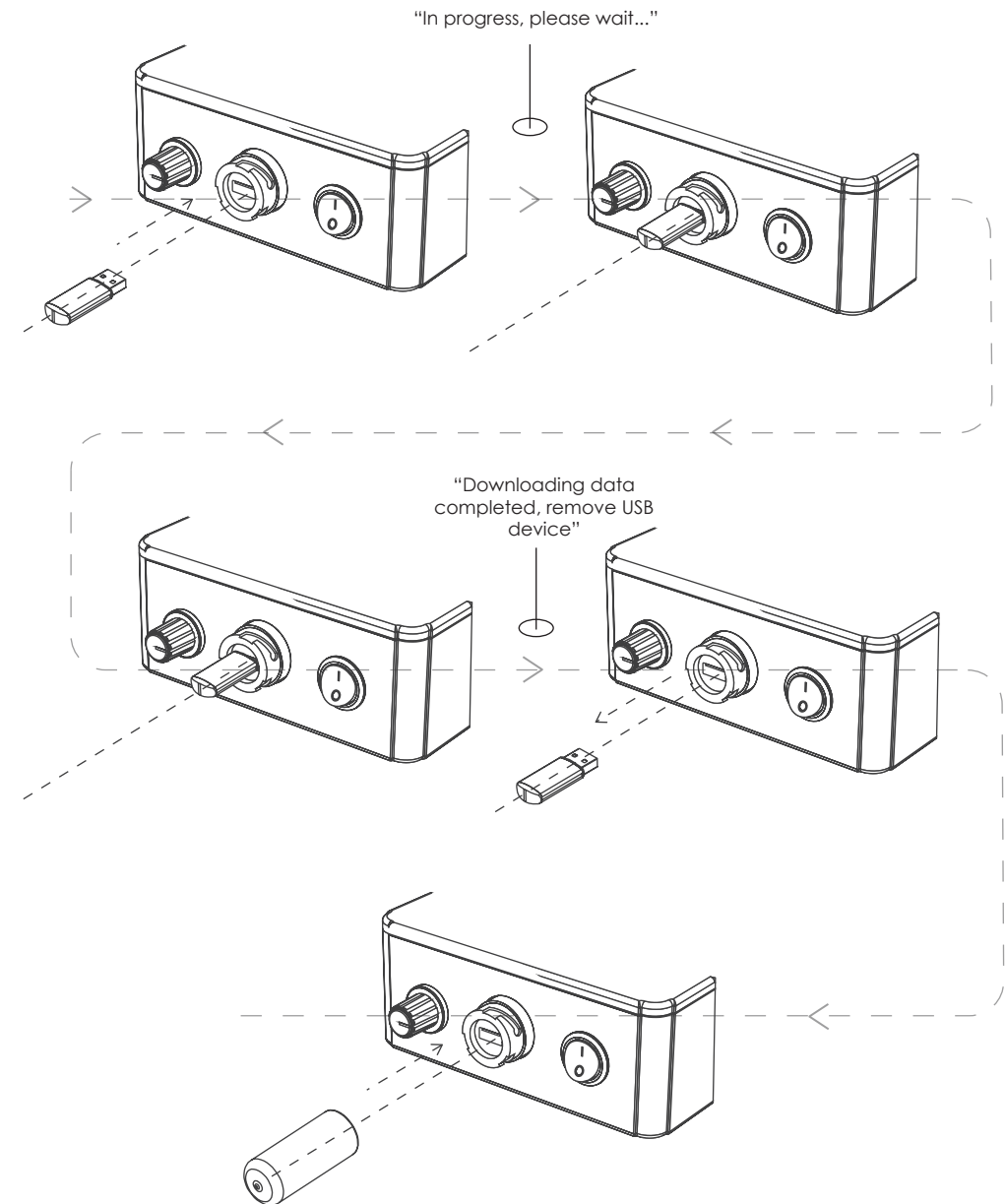
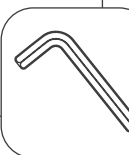
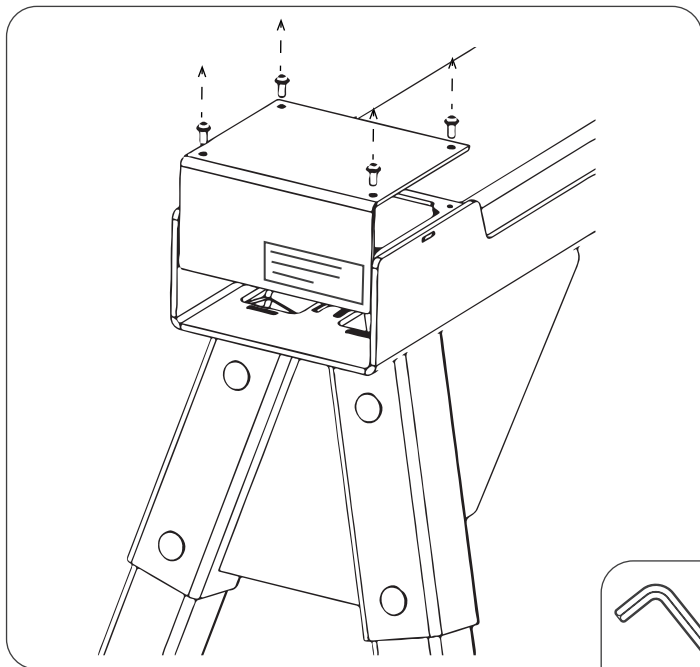
1. Receive a USB device. Playnetic has set the correct start- and endtime for you.

**Install a Timelock**

1. Remove the bolts with the supplied hex key.
2. Remove the service hatch with the label.
3. Important! The timelock must be installed at 12 o'clock local time. If the installation is being done too late or too early, the time lock will not work properly.
4. Put the USB stick into the computer.
5. Generate energy. Wait until the update is completed. Remove the USB stick after completion.
6. Make sure that you put the dust cover back over the USB port.
7. Close the service hatch.

**Update Your Timelock 2x a Year**

For updating your timelock, use the USB device you received from Playnetic with the correct start- and endtime (same USB device for install option). Repeat step 1 to 7 from 'install a timelock' to complete the update.



**Maintenance**

The product must be maintained according to the Playnetic Maintenance Advice.

