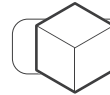


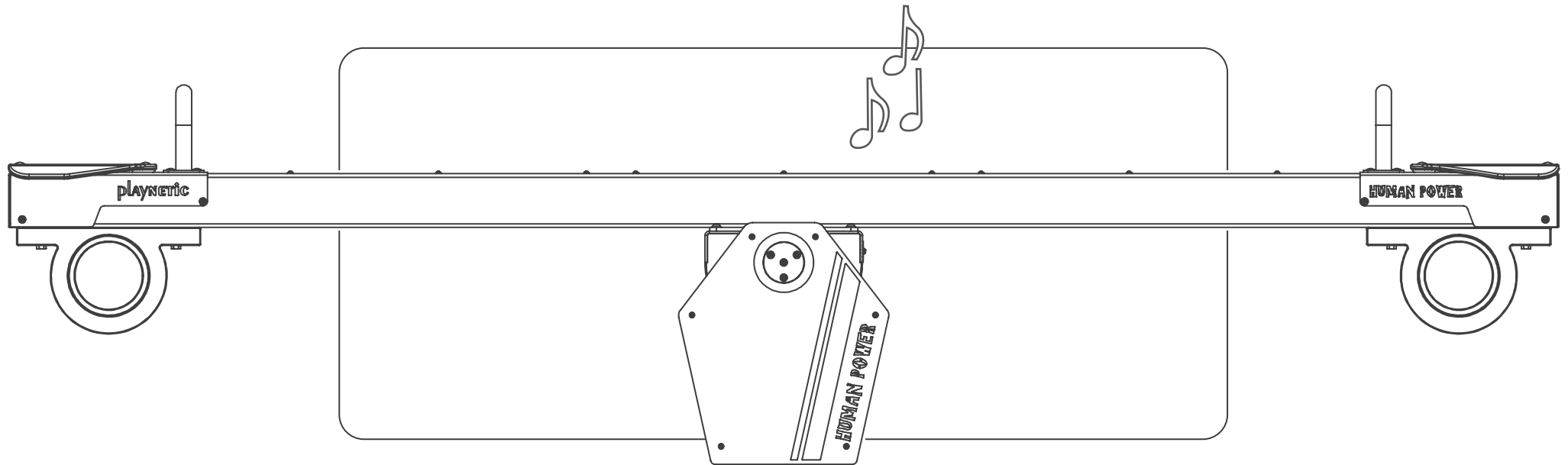
# Kinetic Seesaw Installation Instruction



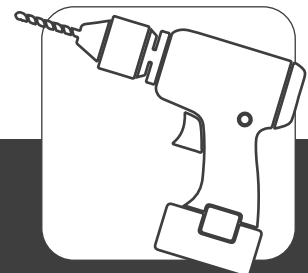
150 kilogram



3456 x 311 x 831 (mm)



KS90018\_18112021

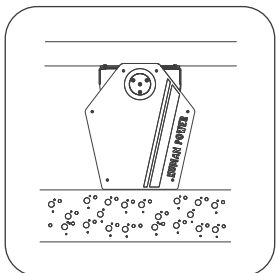
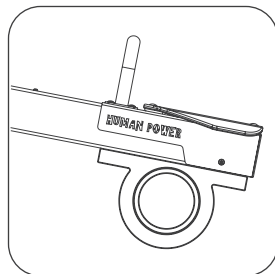




3 ..... Obstacle free zone

Bumper options

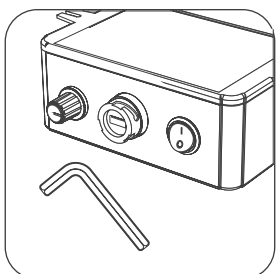
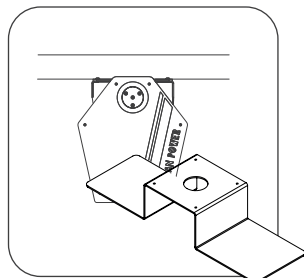
4



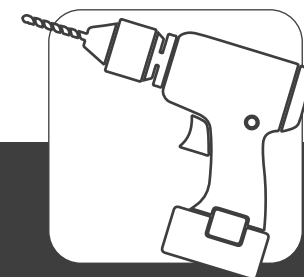
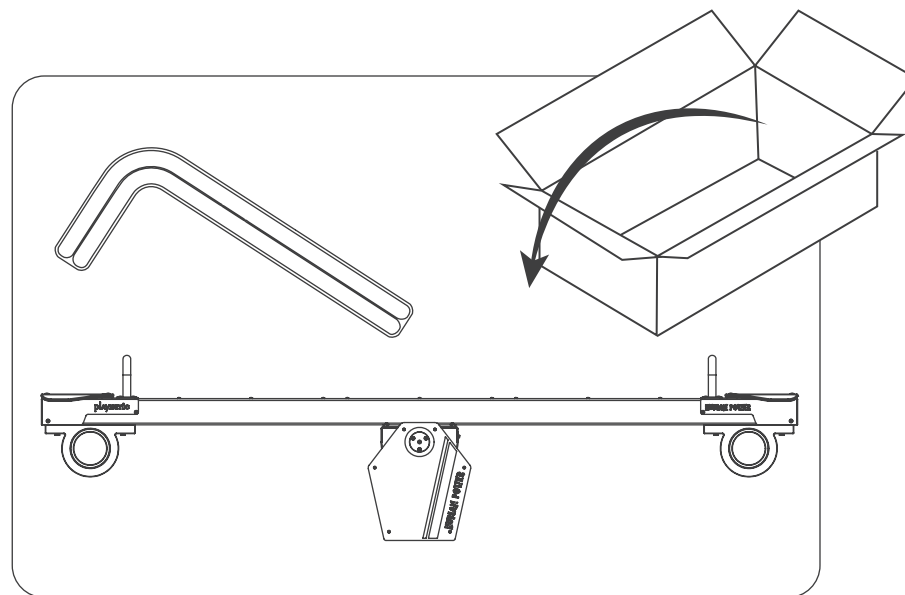
5 ..... Foundation option 1:  
Surface mounted

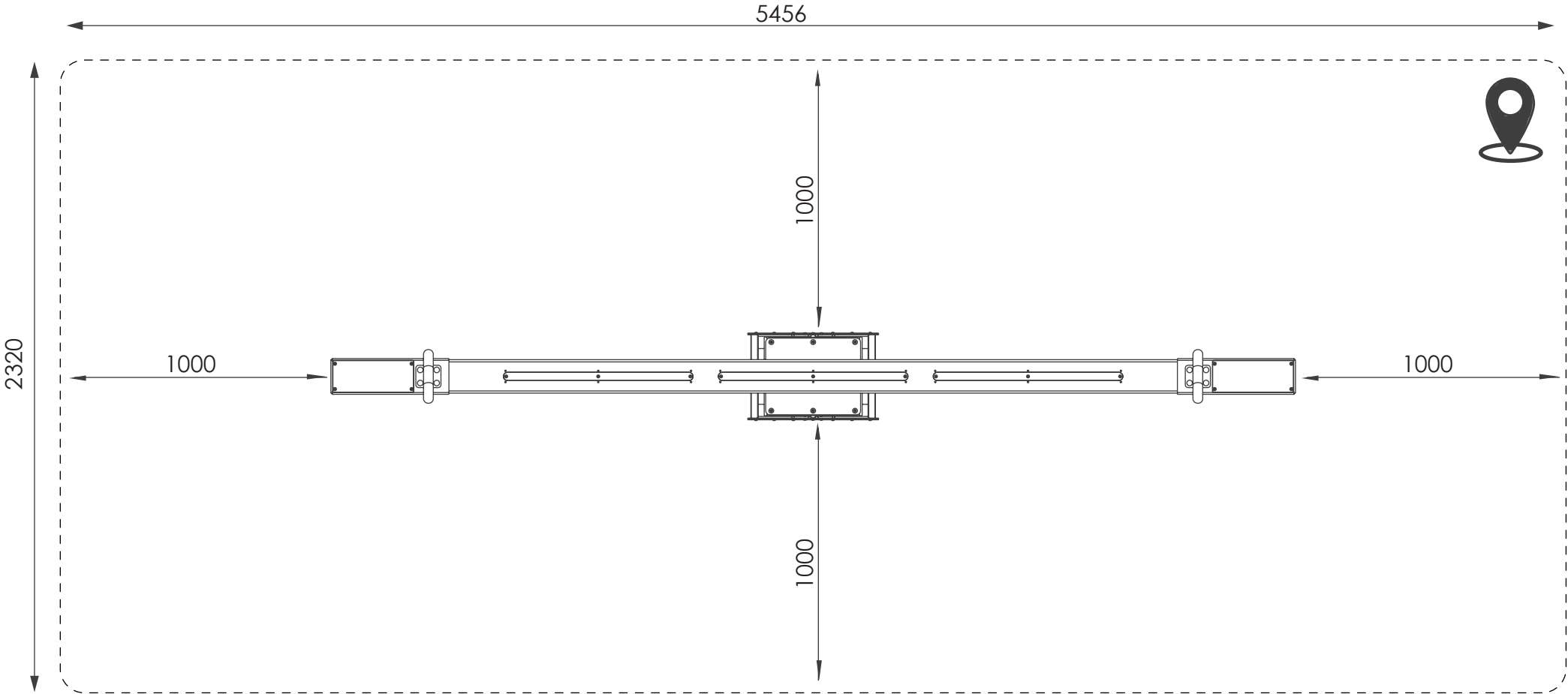
Foundation option 2:  
Foundation frame large

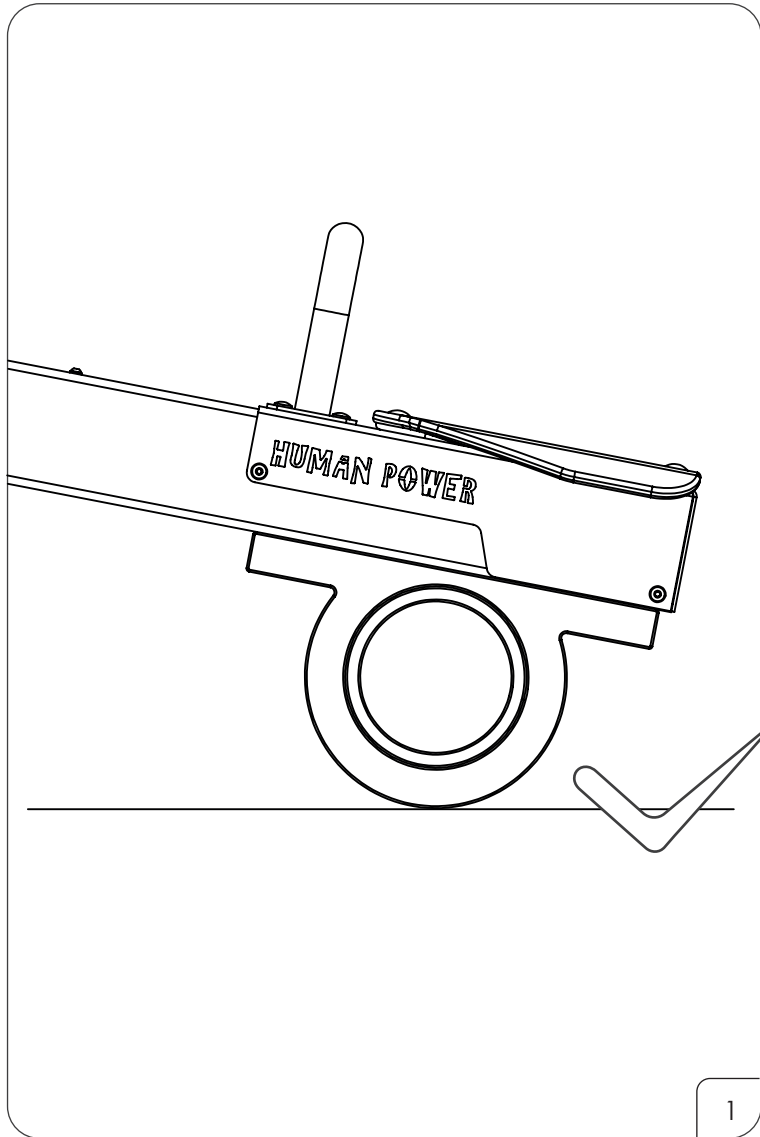
8



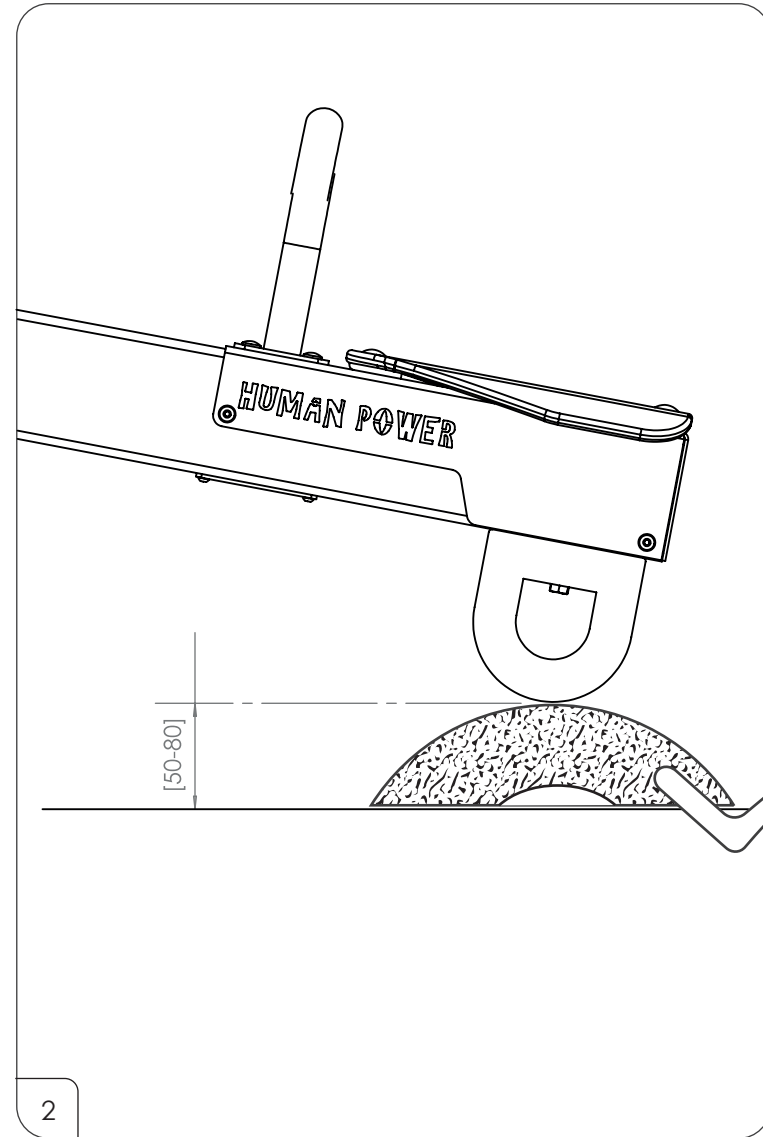
10 ..... Open service hatch

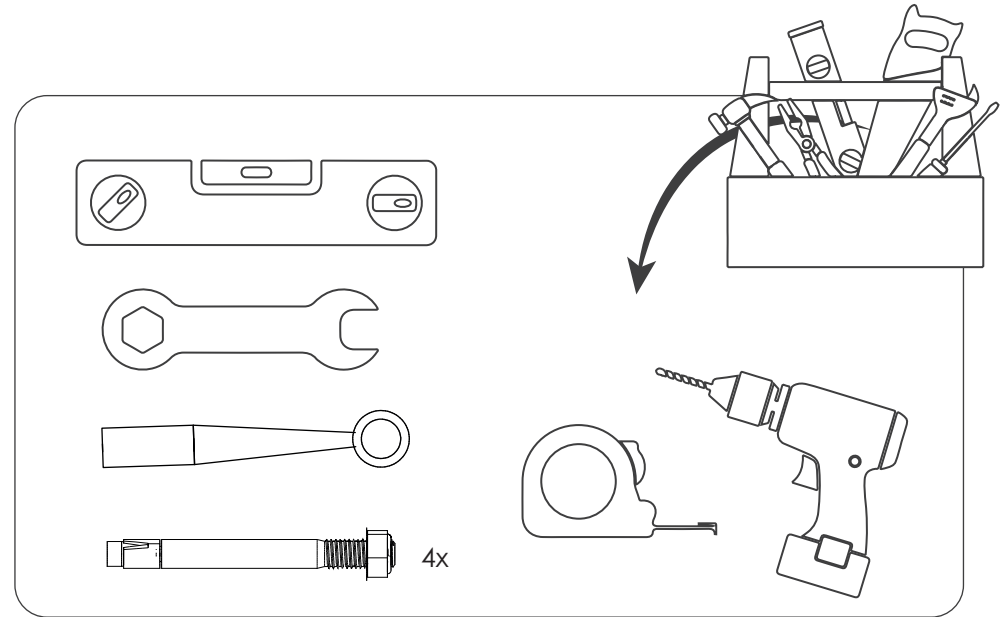
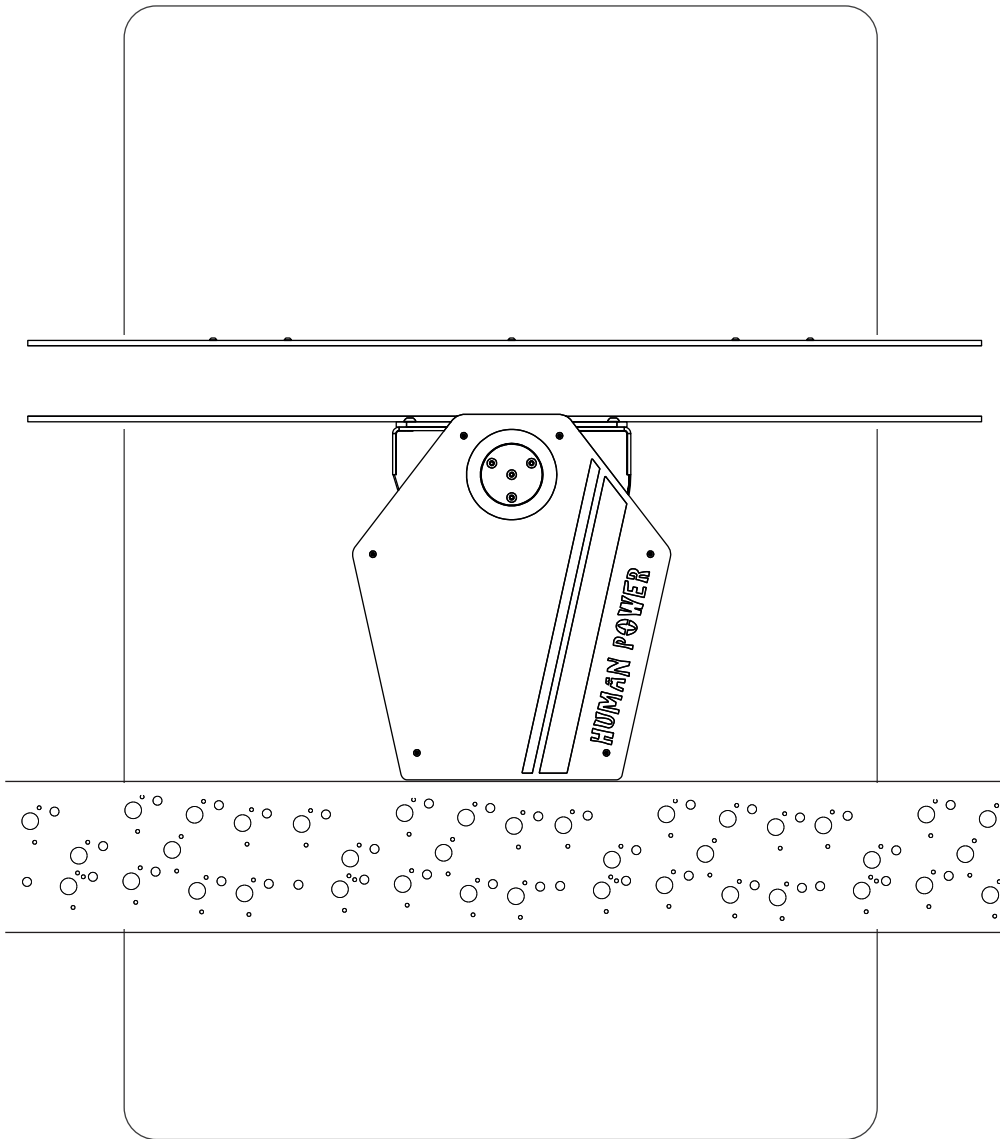


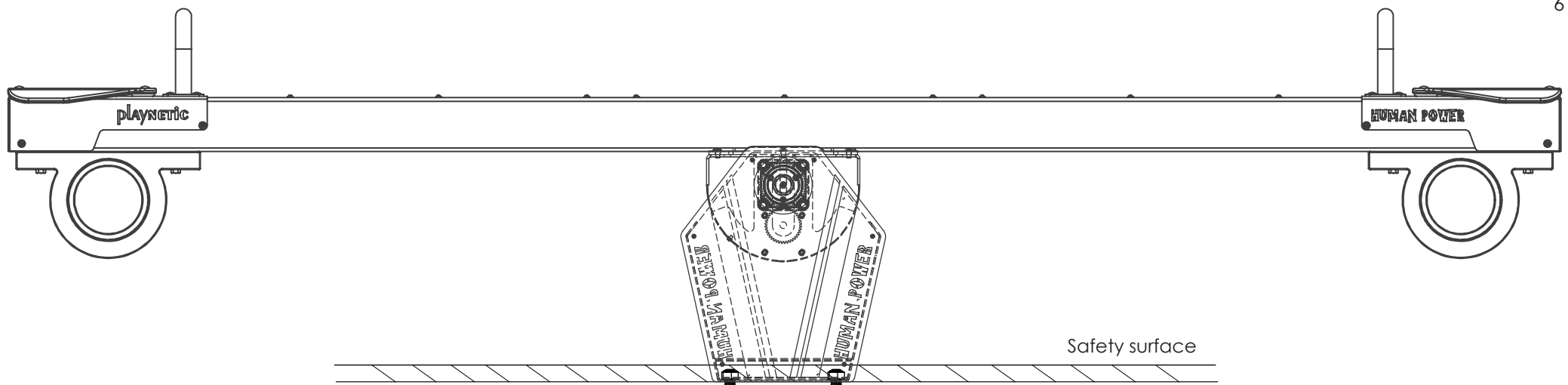




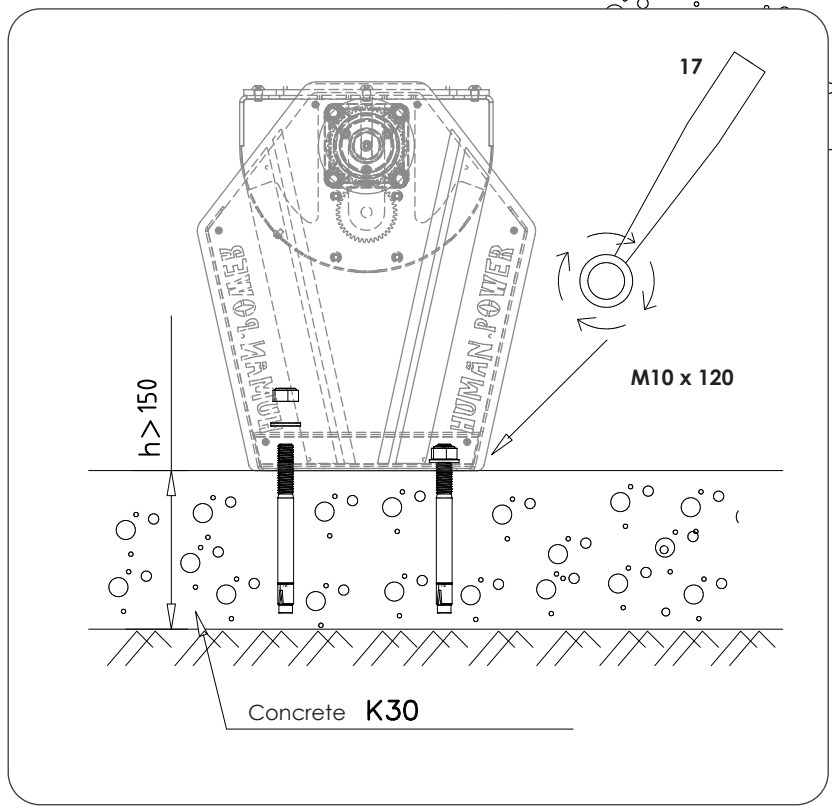
or

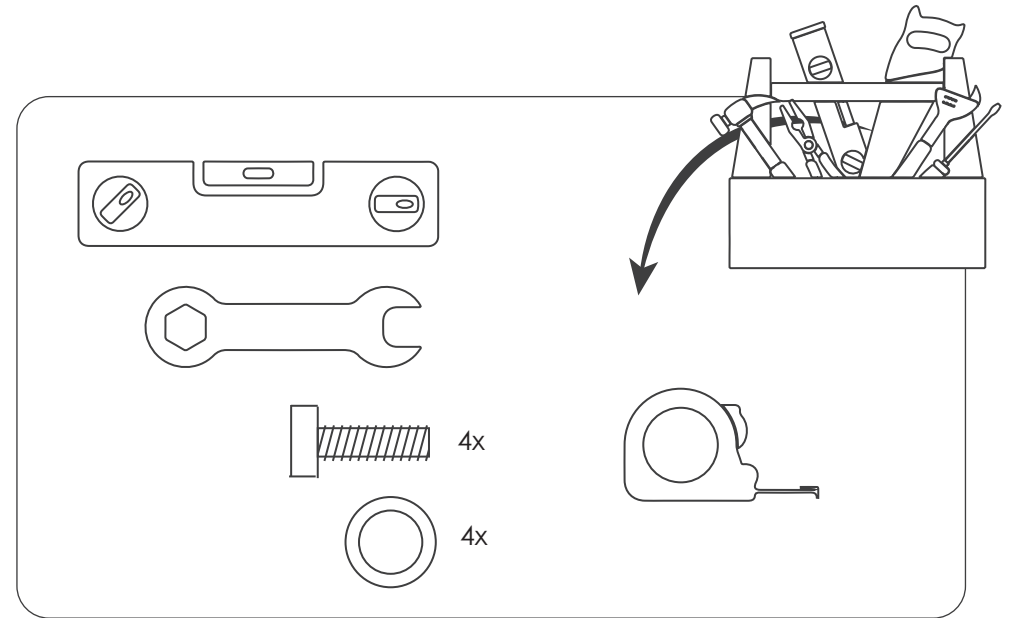
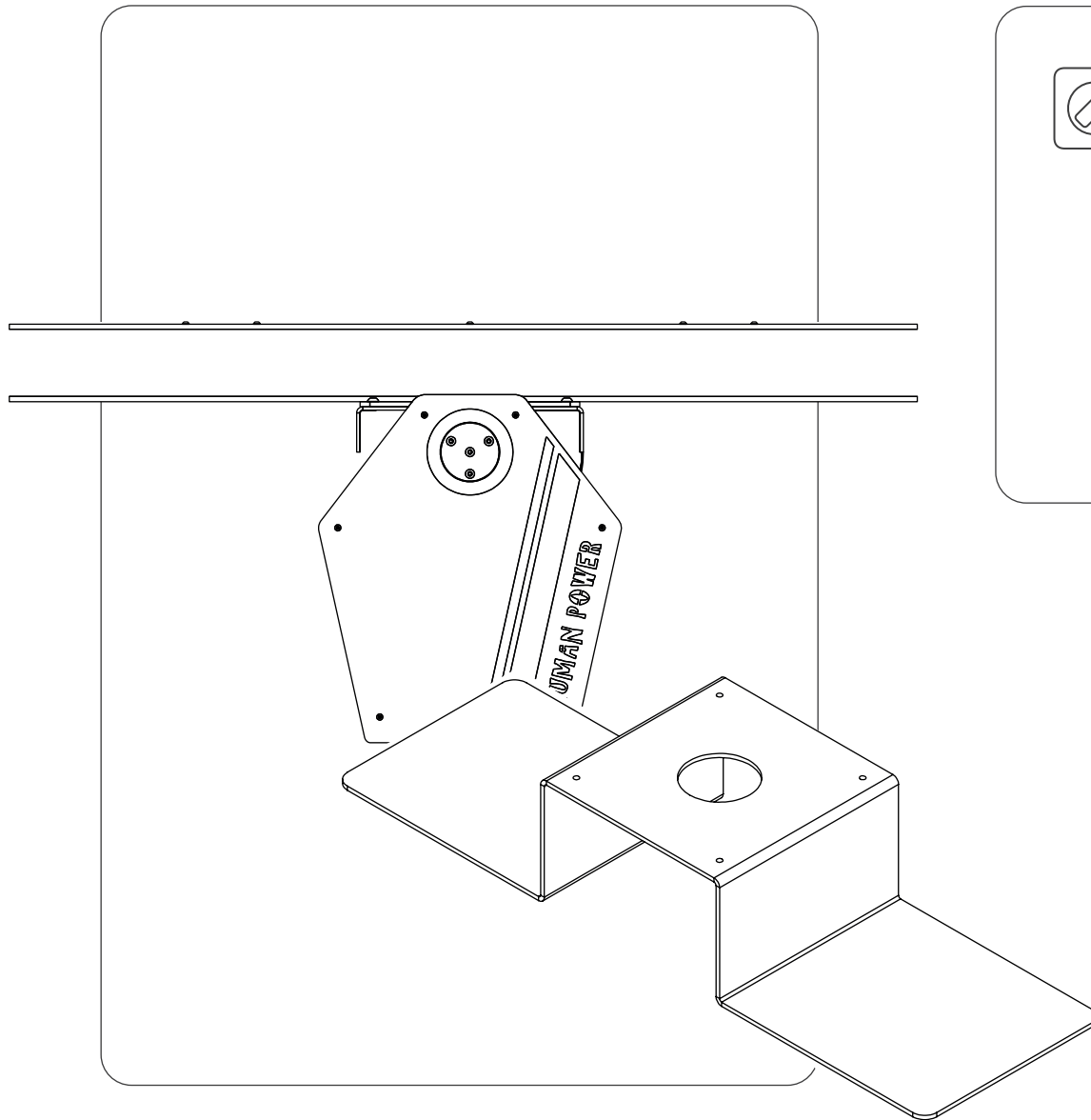


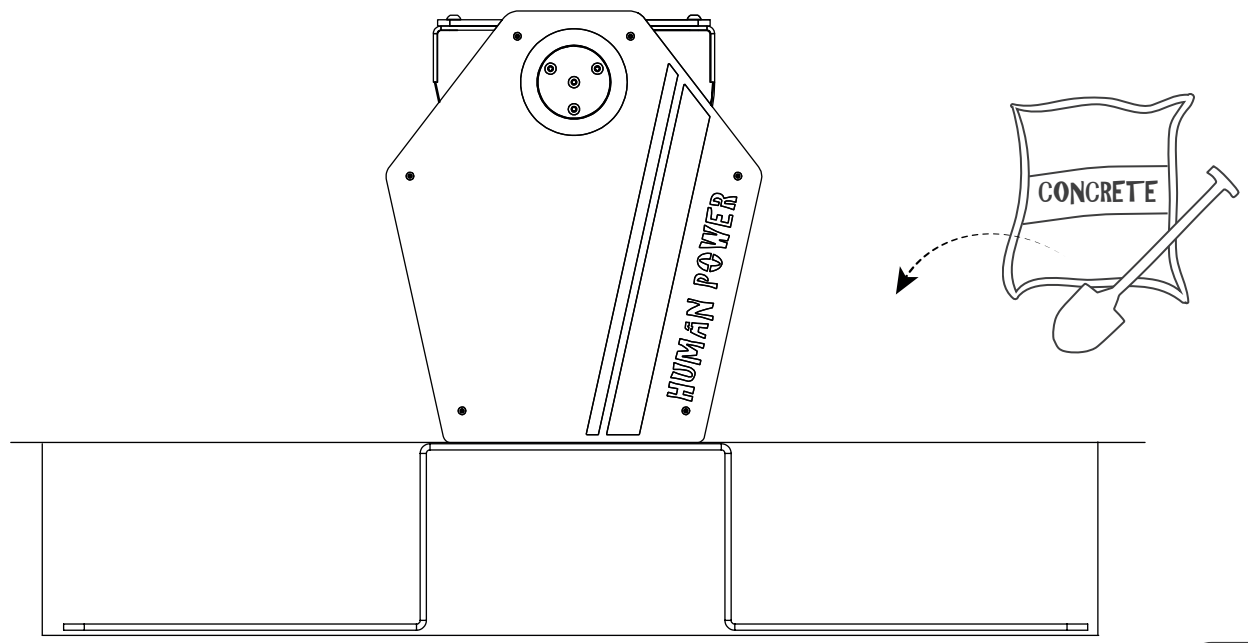
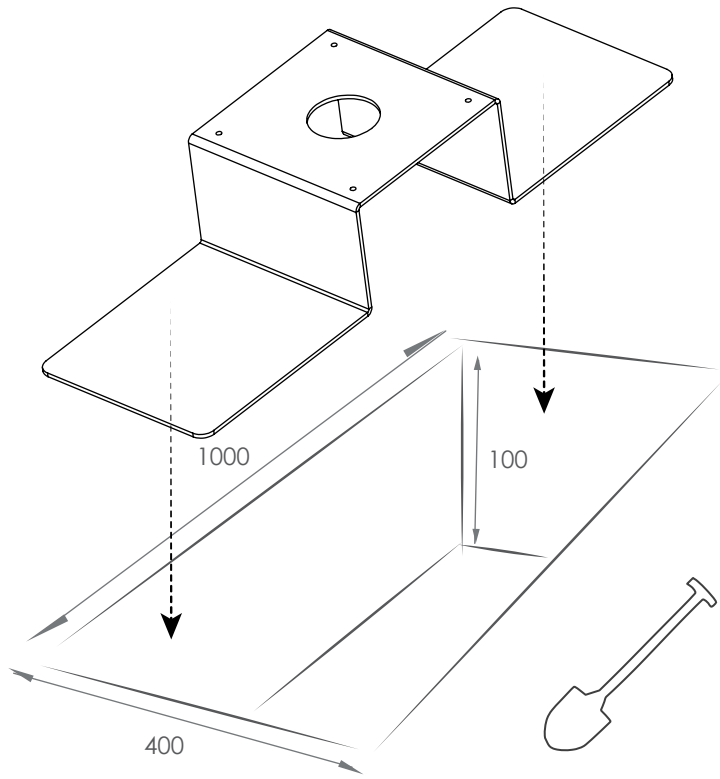
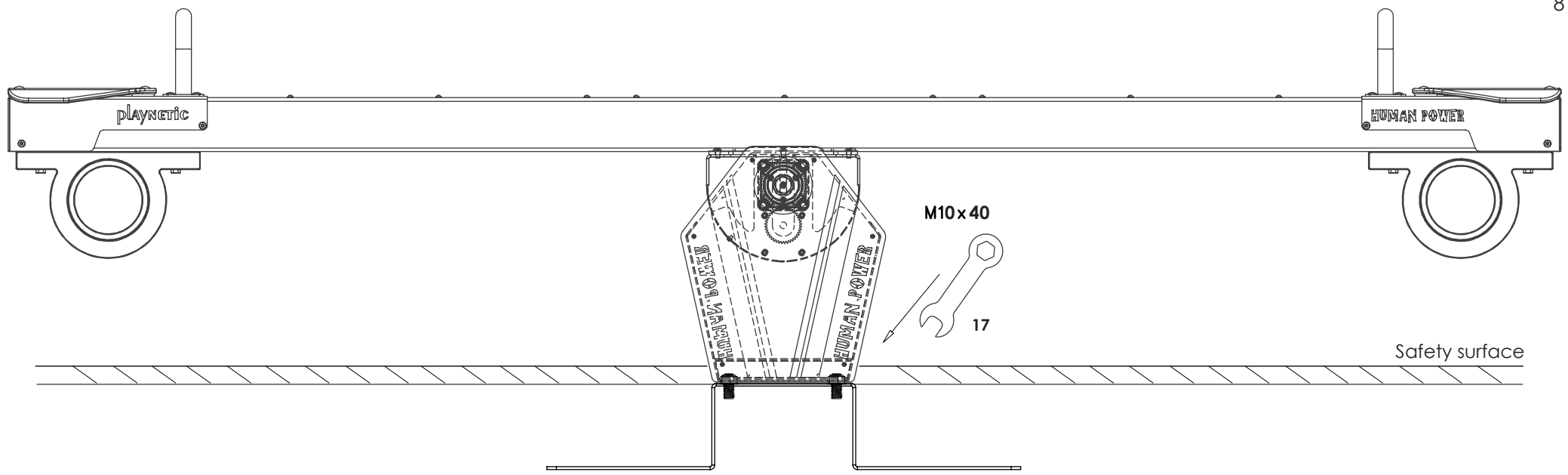




Safety surface







## Open the servicehatch

\* Find more information about the computer in the KineticSeesaw User Manual

