

Installation Instructions

Surface Fixed

Freechimes
Alto/ Soprano
Page 1 of 3



Weight of heaviest part **8.35kg** (Freechimes)

1. Carefully lay 2 x legs on a **level surface** and check distance between **legs is equal**. Line up pre drilled holes in the backboards with the holes in legs and ensure the instrument is aligned square with the legs. **Fix** in place using **M8x40mm screws** supplied (see installation guide)

2. Attach Surface Fixing posts to legs (See **Surface Fix Post Installation Sheet**)

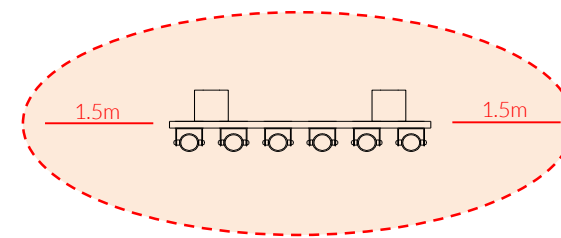
3. Locate Instrument in desired location and mark holes to fix to desired surface.

4. Fix Surface Plate to level surface using Coachscrews, Rawlbolts, chemical anchors or similar as deemed appropriate by Installer.

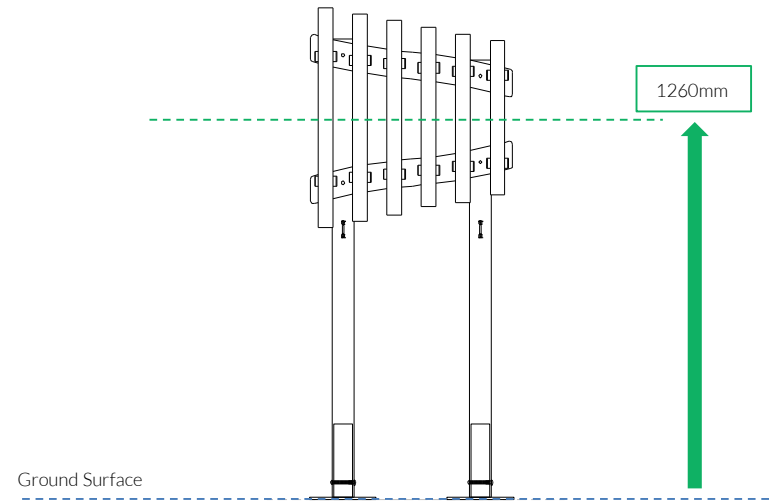
(It is your responsibility to ensure that the existing surface is suitable to receive the appropriate fixing)

5. Make sure all fixings are covered and secure using cover caps provided

6. Beaters can be fixed to Steel posts with fixings provided



Install Instrument with 1.5m free space (from widest point) around it.



Components:

Eye Straps
X2

M6x20mm
Secure Screw
X4

M8x40mm
Secure Screw
X4

Metric Conversion:
1260mm/ 49 39/64"
1.5m/ 59"

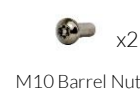


Pair Small Beaters X1

Surface Fix Components:



2 Part Cover Cap



M10 Barrel Nut





M10x70 Security Screw


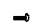
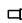
Spares available from percussionplay.com or from your local distributor

16 Kg

Tools:

 x1
 x2

TX 30 Driver Bit TX 45 Driver Bit

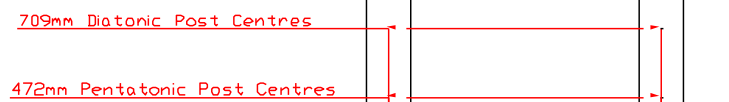
- COMPONENTS LIST:**
-  Saddle Strap X2
 -  M6x20 Pin torx X4
 -  M8x40 Pin Torx X4
 -  M10x70 Pin torx X2
 -  M10 Barrel Nut Pin torx X2

Surface Fixed
Freechimes
Alto/ Soprano
Page 2 of 3



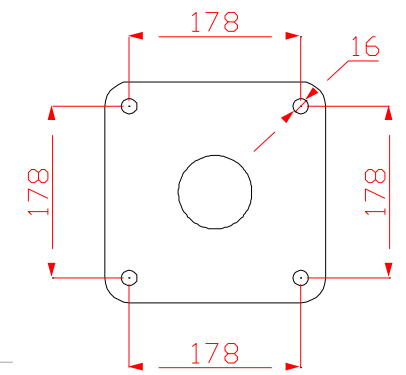
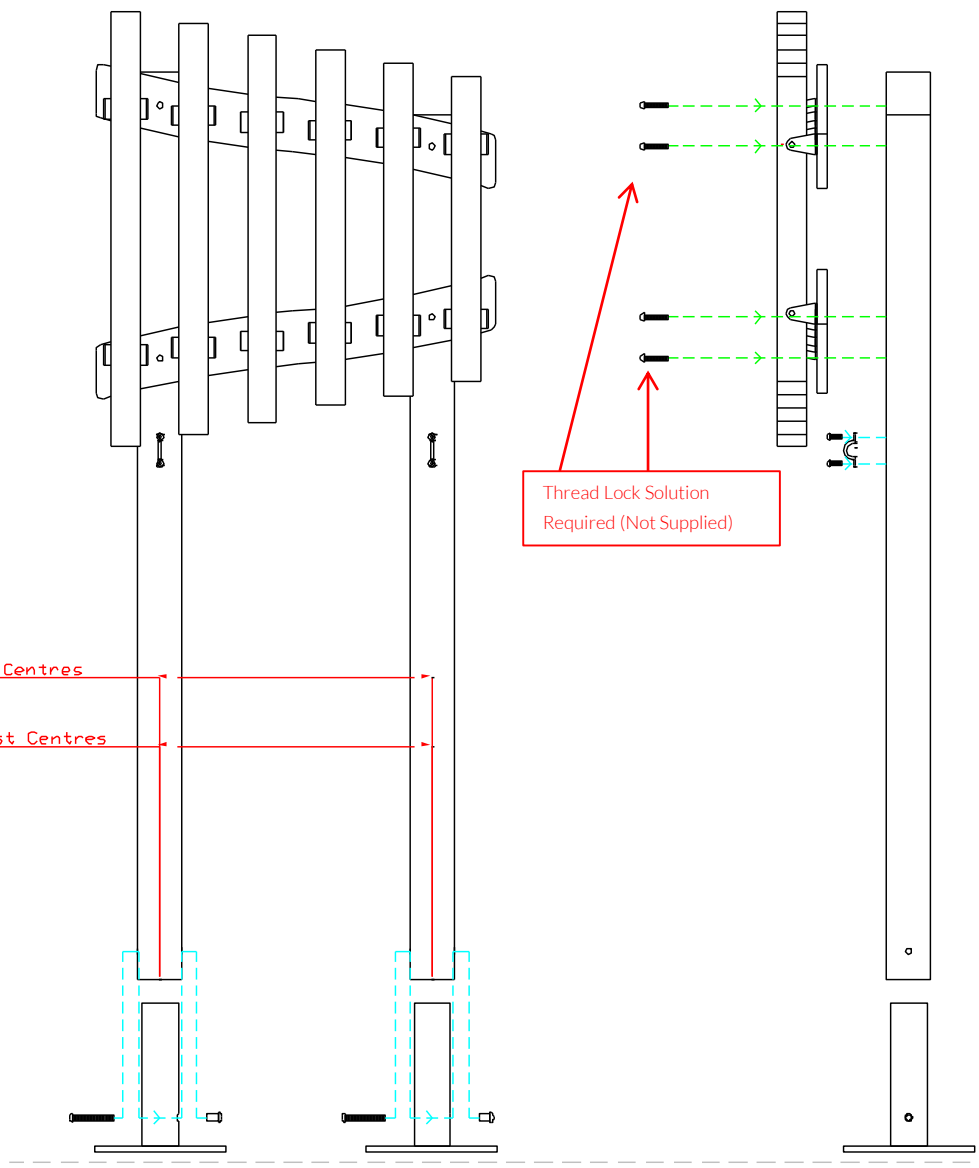

Components:

-  Eye Straps X2
-  M6x20mm Secure Screw X4
-  M8x40mm Secure Screw X4



Thread Lock Solution
Required (Not Supplied)

Thread Lock Solution
Required (Not Supplied)





Pair Small Beaters X1

Surface Fix Components:

 x8

2 Part Cover Cap

 x2

M10 Barrel Nut

 x2

M10x70 Security Screw

Spares available from percussionplay.com or from your local distributor

16 Kg

Tools:

 x2
 TX 45 Driver Bit

Surface Fixed

Freechimes
 Alto/ Soprano
 Page 3 of 3



Components:

x2

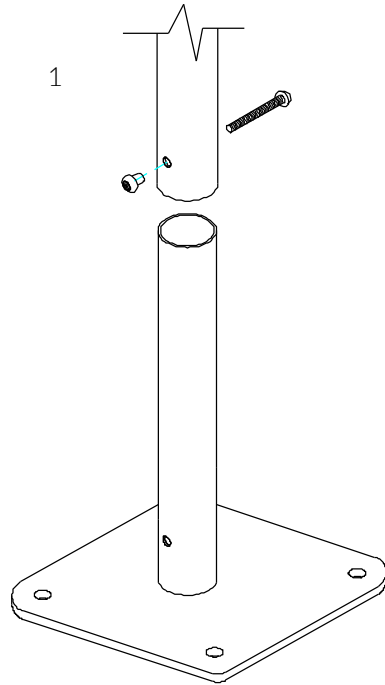
M10 Barrel Nut

x2

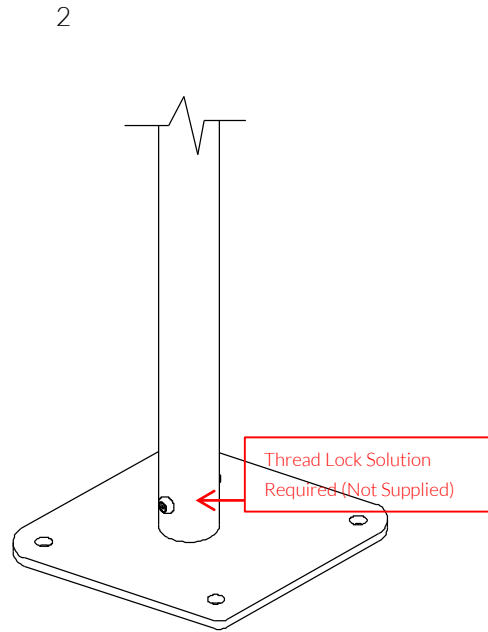
M10x70 Security Screw

x8

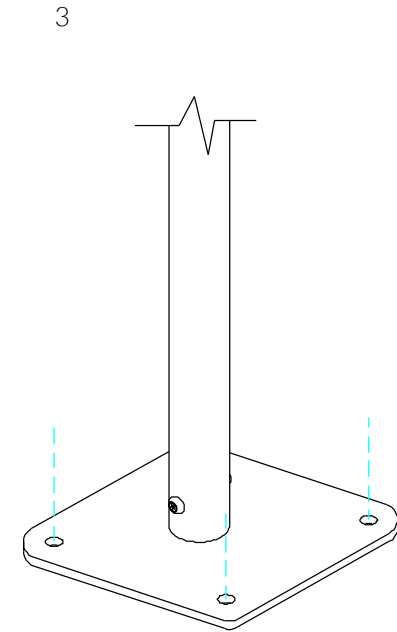
2 Part Cover Cap



Locate the Surface fix
 Plate into the leg of the
 instrument.



Fix instrument to Surface
 fix plate using M10 bolt
 and Barrel Nut and use
thread locking solution
 to prevent fixings working
 loose.



Fix Surface Plate to the
 ground surface **Ground
 Anchors Not provided**
 cover fixings with caps
 provided

Thread Lock Solution
 Required (Not Supplied)



MADE IN
BRITAIN

BSEN 1176