

Installation Instructions

Surface Fixed

Harmony Flower
Page 1 of 3



Components:



x1

M10x40 Security Screw



x1

M10 Barrel Nut



x4

2 Part Cover Cap

Metric Conversion:
1345mm/ 52 61/64"
1095mm/ 43 7/64"
945mm/ 37 13/64"
1.5m/ 59"



Weight of heaviest part **6kg** (Surface Plate)

1. Unpack ground fixing leg 1no.

2. Lay packaging out on floor or assemble on non-abrasive surface to prevent marking of polished stainless steel.

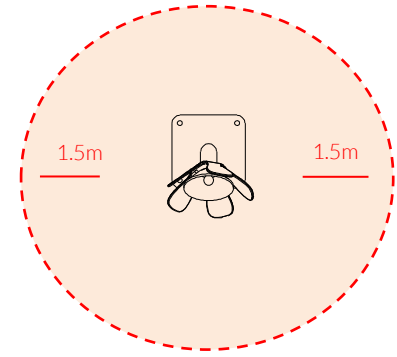
3. Align holes on leg to holes on surface fixing plate (opposite end to polished domes) and secure in place using 1no. M10 x 40mm Screw and Barrel Nut provided. Tools required TX 45 Driver Bits)

4. Invert assembled frame so Bells are at the top.

5. **Locate Flower** in desired location and mark holes to fix to surface.

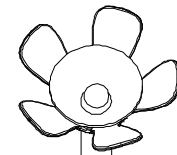
6. Fix to Surface using recommended ground anchors (**Ground Anchors are not supplied**)

7. Make sure all fixings are covered and secure using cover caps provided



Install Instrument with 1.5m free space (from widest point) around it.

Large 1345mm
Medium 1095mm
Small 945mm
from plate



Ground Surface



Small Beaters X1

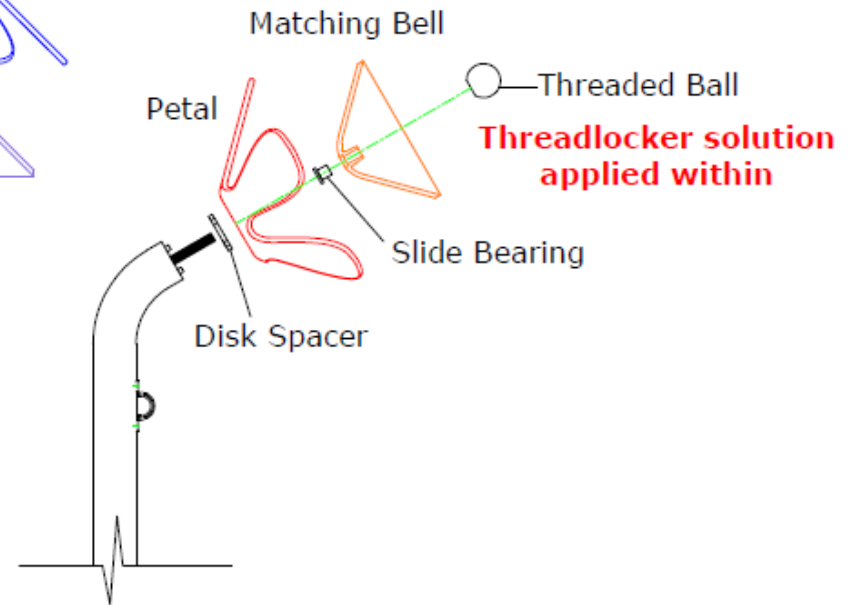
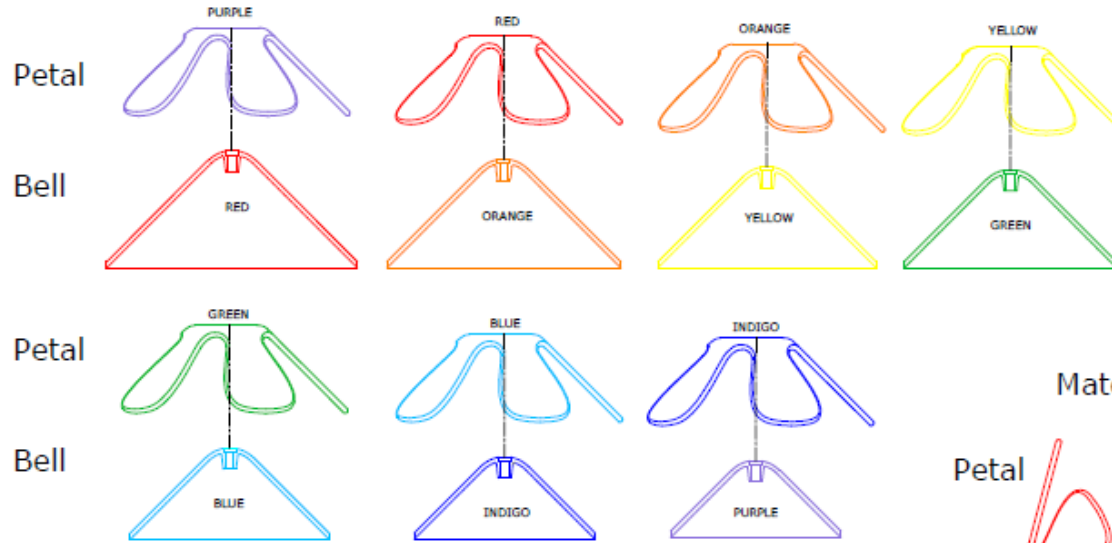
Ground Anchors not supplied



Spares available from percussionplay.com or from your local distributor

9 Kg

PETAL & BELL COLOUR COMBINATIONS



Surface Fixed

Harmony Flower
Page 2 of 3



Components:



Small
Beaters X1



Tools:

 x1
TX 45 Driver Bit


Surface Fixed

Harmony Flower
Page 3 of 3



Components:

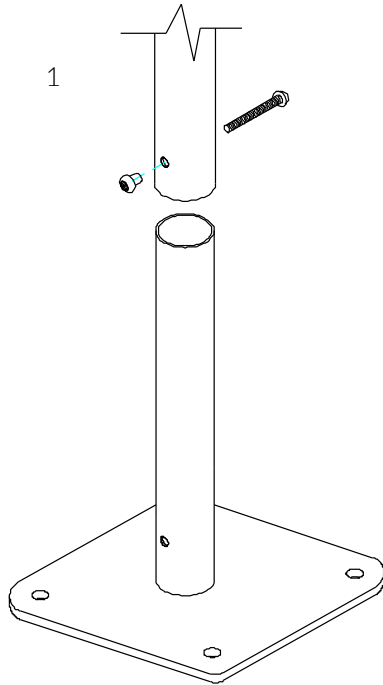
 x1
M10x40 Security Screw

 x1
M10 Barrel Nut

 x4
2 Part Cover Cap

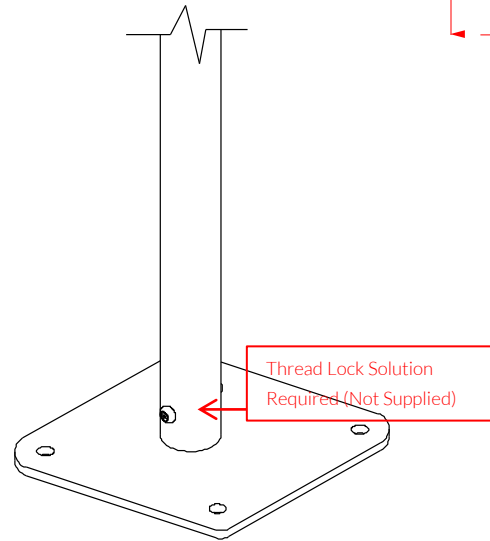
Thread Lock Solution
Required (Not Supplied)

1

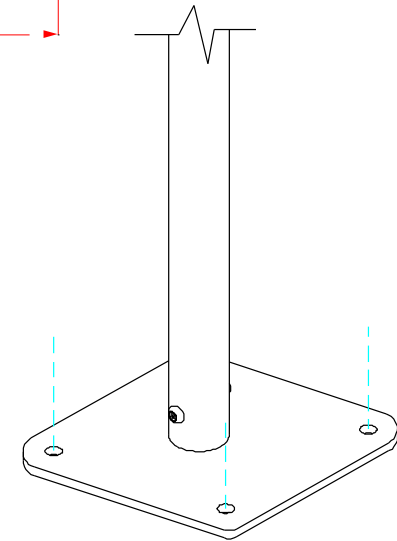
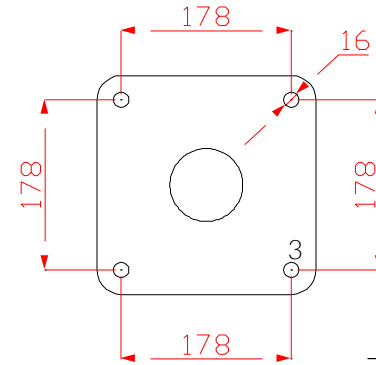


Locate the Surface fix Plate into the leg of the instrument.

2



Fix instrument to Surface fix plate using M10 bolt and Barrel Nut and use **thread locking solution** to prevent fixings working loose.



Fix Surface Plate to the ground surface **Ground Anchors Not provided** cover fixings with caps provided



Small
Beaters X1

Ground Anchors
not supplied



Spares available from
percussionplay.com or from your
local distributor

30 Kg