



Product technical sheet

SOLO 1769



2 - 14 years



1 kids



10,2 m²

Material specification

- Powder galvanized and powder coated steel construction of 80 x 80 mm profile;
- Music panels made of durable HDPE plate, resistant to weather conditions,
- Electronic playing elements in music panels loaded mechanically by spinning the handle,
- Stainless steel screws and/or screws covered with plastic caps,
- Safe end caps on top of the structure made of rubber or polypropylene,



Facilitating disability



sound stimulation



easy access



integration



Intellectual development



manipulation



music

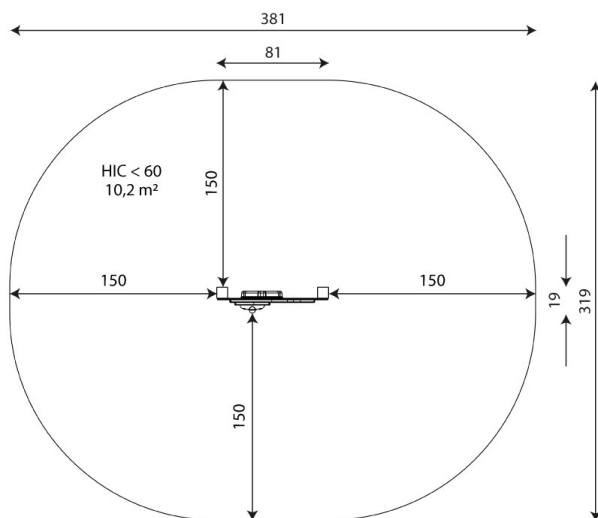


thinking

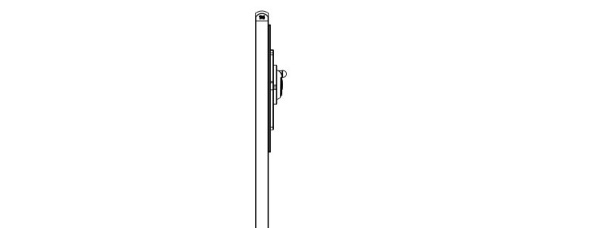
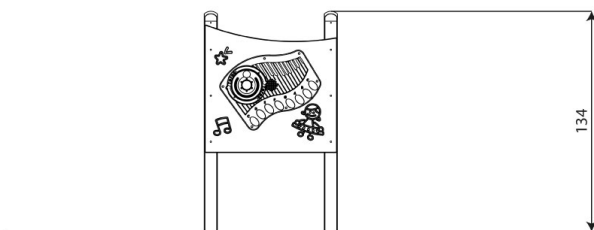




1
number of interactive elements



10,2 m²



Product technical sheet

SOLO 1769

Product data

Length	81 cm
Width	19 cm
Total height	134 cm
Age group	2 - 14 years
Number of users	1 kids
Safety zone	10,2 m ²
Free fall height	<60 cm
In accordance with norm EN	1176-1:2017+A1:2023
Weight of the heaviest part	6,3 kg
Dimensions of the largest part	128x8x8 cm
Availability of spare parts	YES

Color options

Data is subject to change without prior notice.

Additional information

- equipment adapted for the disabled; intended for public playgrounds;
- equipment has a certificate issued by an accredited entity or a declaration of conformity;
- no sharp edges or chinks that would pose a danger of jamming the head, fingers or any other body parts;
- anchoring on flat surface, 80/70/60 cm deep;
- render is for reference only, the actual appearance of the equipment and its color may vary;

Guarantee

30

30 year guarantee - Durability of steel and stainless steel structural elements

15

15 year guarantee - Durability of steel and stainless steel structures of mobile devices; durability of Robinia wood structural elements

10

10 year guarantee - Structural strength of HDPE, 100% recycled HDPE and HPL elements; structural elements made of 100% recycled material (composite)

5

5 year guarantee - Corrosion resistance of stainless steel and hot-dip galvanized and powder-coated steel elements, resistance to bark beetles and rotting of wooden structural elements

Detailed information in the guarantee card



Surfaces according to EN 1176-1:2017+A1:2023

SOLO 1769

	Description (mm)	Layer thickness (cm)	Maximum fall heights (cm)
Turf/ top layer of soil (A,B,C)	-	-	≤100
bark (A,C)	Particle size from 20 to 80	30	≤200
		40	≤300
woodchips (A,C)	Particle size from 5 to 30	30	≤200
		40	≤300
sand or gravel (A,C)	Particle size from 0,25 to 8	30	≤200
		40	≤300
synthetic attested (A,B,C)	Tested according to EN 1177		<60

Amount of safe surface corresponding with free fall height:

HIC <60 10,2 m²

Data is subject to change without prior notice.

