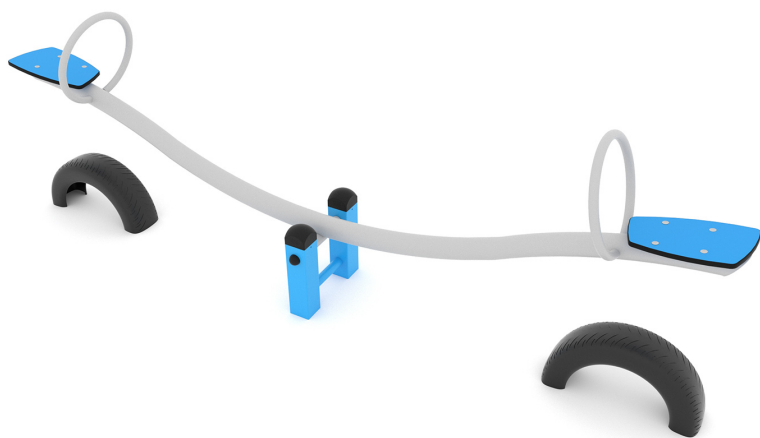


## SWING ST0500



3 - 12 years



2 kids



11,3 m<sup>2</sup>

### Material specification

- Hot-dip galvanized and powder coated or powder galvanized and powder coated steel construction,
- Seats/backrests made of HDPE or HPL plates, resistant to weather conditions,
- Handles made of stainless steel,
- Stainless steel screws and/or screws covered with plastic caps,
- Safe end caps on top of the structure made of rubber or polypropylene,

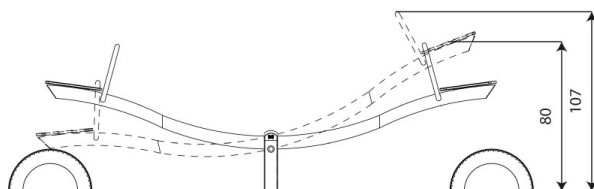
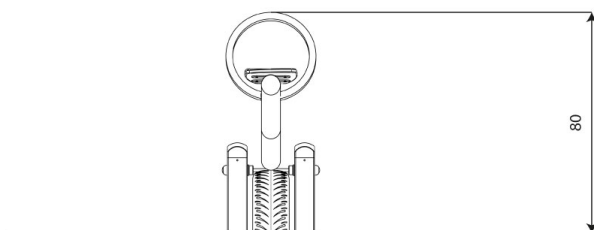
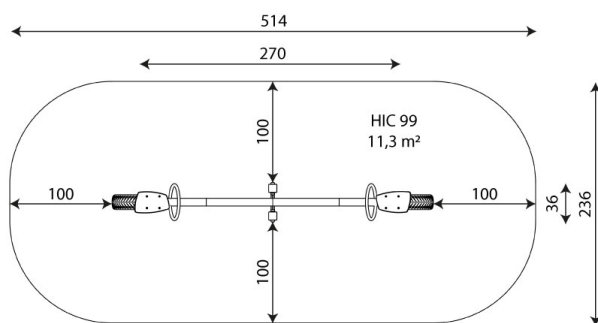


Physical development



rocking





## Product technical sheet

# SWING ST0500

### Product data

Length	270 cm
Width	36 cm
Total height	107 cm
Age group	3 - 12 years
Number of users	2 kids
Safety zone	11,3 m <sup>2</sup>
Free fall height	99 cm
In accordance with norm EN	1176-1:2017+A1:2023
Weight of the heaviest part	33 kg
Dimensions of the largest part	270x50x36 cm
Availability of spare parts	YES
Installation time	1 h
Color options	

Data is subject to change without prior notice.

### Additional information

- equipment intended for public playgrounds;
- equipment has a certificate issued by an accredited entity or a declaration of conformity;
- no sharp edges or chinks that would pose a danger of jamming the head, fingers or any other body parts;
- anchoring on flat surface, 80/70/60 cm deep;
- render is for reference only, the actual appearance of the equipment and its color may vary;

## Guarantee

**30**

30 year guarantee - Durability of steel and stainless steel structural elements

**15**

15 year guarantee - Durability of steel and stainless steel structures of mobile devices; durability of Robinia wood structural elements

**10**

10 year guarantee - Structural strength of HDPE, 100% recycled HDPE and HPL elements; structural elements made of 100% recycled material (composite)

**5**

5 year guarantee - Corrosion resistance of stainless steel and hot-dip galvanized and powder-coated steel elements, resistance to bark beetles and rotting of wooden structural elements

Detailed information in the guarantee card



## Surfaces according to EN 1176-1:2017+A1:2023

	Description (mm)	Layer thickness (cm)	Maximum fall heights (cm)
Turf/ top layer of soil (A,B,C)	-	-	≤100
bark (A,C)	Particle size from 20 to 80	30	≤200
		40	≤300
woodchips (A,C)	Particle size from 5 to 30	30	≤200
		40	≤300
sand or gravel (A,C)	Particle size from 0,25 to 8	30	≤200
		40	≤300
synthetic attested (A,B,C)	Tested according to EN 1177		99

## Product technical sheet

# SWING ST0500

### Amount of safe surface corresponding with free fall height:

HIC 99 11,3 m<sup>2</sup>

Data is subject to change without prior notice.

