

SWING ST0524



3 - 14 years



2 kids



12,5 m²

Material specification

- Stainless steel and hot-dip galvanized and powder coated steel construction,
- Seats made of durable HDPE plate, resistant to weather conditions,
- Handles made of stainless steel,
- Stainless steel screws and/or screws covered with plastic caps,
- Safe end caps on top of the structure made of rubber or polypropylene,



Physical development

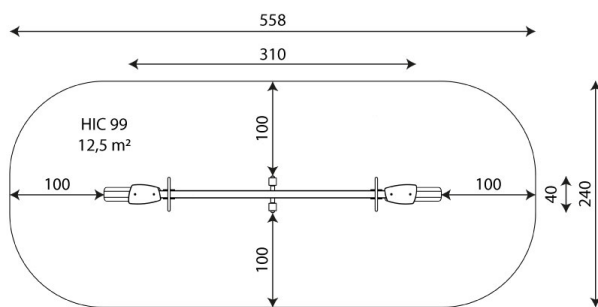


community

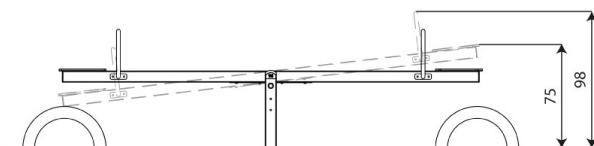
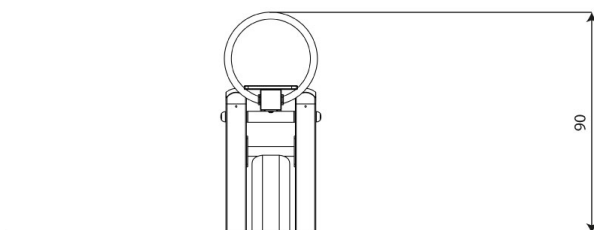


rocking





12,5 m²



Product technical sheet

SWING ST0524

Product data

| | |
|--------------------------------|---------------------|
| Length | 310 cm |
| Width | 40 cm |
| Total height | 98 cm |
| Age group | 3 - 14 years |
| Number of users | 2 kids |
| Safety zone | 12,5 m ² |
| Free fall height | 99 cm |
| In accordance with norm EN | 1176-1:2017+A1:2023 |
| Weight of the heaviest part | 15 kg |
| Dimensions of the largest part | 301x8x8 cm |
| Availability of spare parts | YES |
| Installation time | 2 h |

Color options



Data is subject to change without prior notice.

Additional information

- equipment intended for public playgrounds;
- equipment has a certificate issued by an accredited entity or a declaration of conformity;
- no sharp edges or chinks that would pose a danger of jamming the head, fingers or any other body parts;
- anchoring on flat surface, 80/70/60 cm deep;
- render is for reference only, the actual appearance of the equipment and its color may vary;

Guarantee

30

30 year guarantee - Durability of steel and stainless steel structural elements

15

15 year guarantee - Durability of steel and stainless steel structures of mobile devices; durability of Robinia wood structural elements

10

10 year guarantee - Structural strength of HDPE, 100% recycled HDPE and HPL elements; structural elements made of 100% recycled material (composite)

5

5 year guarantee - Corrosion resistance of stainless steel and hot-dip galvanized and powder-coated steel elements, resistance to bark beetles and rotting of wooden structural elements

Detailed information in the guarantee card



Surfaces according to EN 1176-1:2017+A1:2023

| | Description (mm) | Layer thickness (cm) | Maximum fall heights (cm) |
|---------------------------------|------------------------------|----------------------|---------------------------|
| Turf/ top layer of soil (A,B,C) | - | - | ≤100 |
| bark (A,C) | Particle size from 20 to 80 | 30 | ≤200 |
| | | 40 | ≤300 |
| woodchips (A,C) | Particle size from 5 to 30 | 30 | ≤200 |
| | | 40 | ≤300 |
| sand or gravel (A,C) | Particle size from 0,25 to 8 | 30 | ≤200 |
| | | 40 | ≤300 |
| synthetic attested (A,B,C) | Tested according to EN 1177 | | 99 |

Product technical sheet

SWING ST0524

Amount of safe surface corresponding with free fall height:

HIC 99 12,5 m²

Data is subject to change without prior notice.

