

Product technical sheet

SWING ST0529



5 - 12 years



2 kids



19,3 m²

Material specification

- Powder galvanized and powder coated steel construction,
- Seats made of safe, certified rubber with textile reinforcement,
- Stainless steel handrails,
- Moving elements based on a durable braking system closed in casings, which do not require greasing and maintenance, ensuring long service life of the device,
- Screws covered with plastic caps and/or stainless steel screws,



Facilitating disability



seats



integration



Physical development

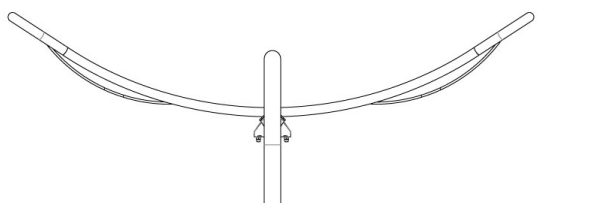
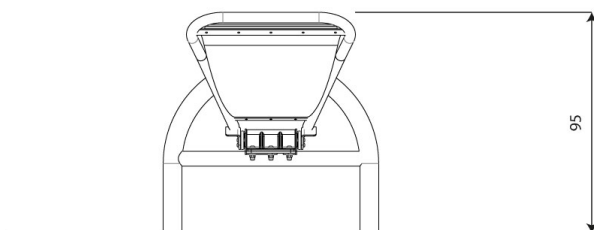
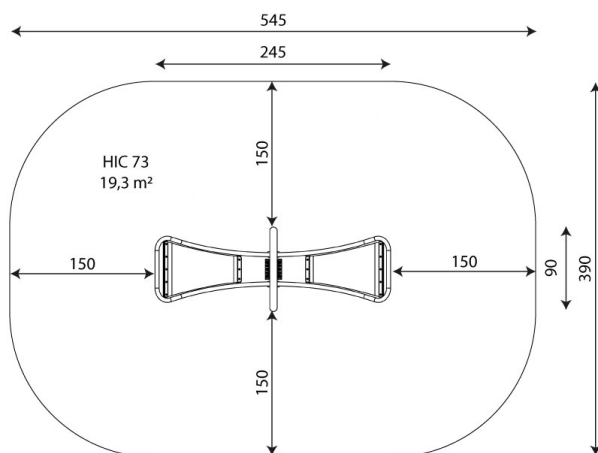


community



rocking





Product technical sheet

SWING ST0529

Product data

Length	245 cm
Width	90 cm
Total height	95 cm
Age group	5 - 12 years
Number of users	2 kids
Safety zone	19,3 m ²
Free fall height	73 cm
In accordance with norm EN	1176-1:2017+A1:2023
Weight of the heaviest part	25 kg
Dimensions of the largest part	245x69x55 cm
Availability of spare parts	YES

Color options

Data is subject to change without prior notice.

Additional information

- equipment adapted for the disabled; intended for public playgrounds;
- equipment has a certificate issued by an accredited entity or a declaration of conformity;
- no sharp edges or chinks that would pose a danger of jamming the head, fingers or any other body parts;
- anchoring on flat surface, 80/70/60 cm deep;
- render is for reference only, the actual appearance of the equipment and its color may vary;

Guarantee

30

30 year guarantee - Durability of steel and stainless steel structural elements

15

15 year guarantee - Durability of steel and stainless steel structures of mobile devices; durability of Robinia wood structural elements

10

10 year guarantee - Structural strength of HDPE, 100% recycled HDPE and HPL elements; structural elements made of 100% recycled material (composite)

5

5 year guarantee - Corrosion resistance of stainless steel and hot-dip galvanized and powder-coated steel elements, resistance to bark beetles and rotting of wooden structural elements

Detailed information in the guarantee card



SWING ST0529

Surfaces according to EN 1176-1:2017+A1:2023

	Description (mm)	Layer thickness (cm)	Maximum fall heights (cm)
Turf/ top layer of soil (A,B,C)	-	-	≤100
bark (A,C)	Particle size from 20 to 80	30	≤200
		40	≤300
woodchips (A,C)	Particle size from 5 to 30	30	≤200
		40	≤300
sand or gravel (A,C)	Particle size from 0,25 to 8	30	≤200
		40	≤300
synthetic attested (A,B,C)	Tested according to EN 1177		73

Amount of safe surface corresponding with free fall height:

HIC 73 19,3 m²

Data is subject to change without prior notice.

