

Product technical sheet

SWING ST0531

vinci
play



14+



1 kids



< 200 kg

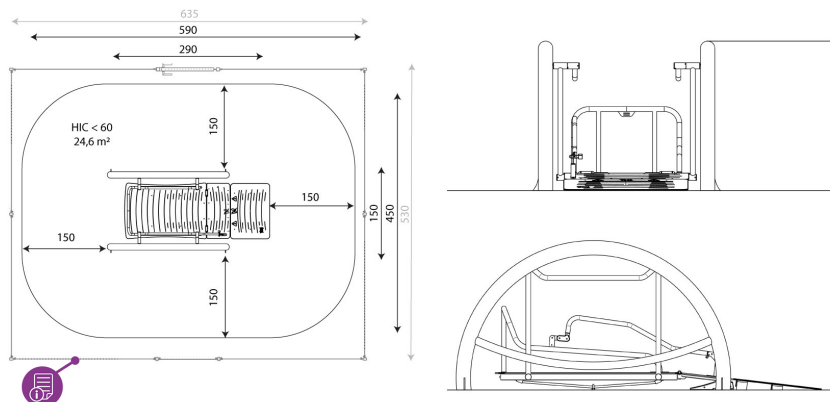
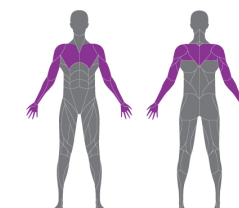
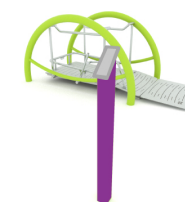


24,6 m²

Product data

Length	290 cm
Width	150 cm
Total height	120 cm
Age group	14+ years
Number of users	1 kids
Maximum weight of user	200 kg
Safety zone	24,6 m ²
Free fall height	<60 cm
The height of the platforms	14 cm
In accordance with norm EN	16630:2015
Weight of the heaviest part	43 kg
Dimensions of the largest part	221x28x123 cm
Availability of spare parts	YES
Color options	

Data is subject to change without prior notice.



Vinci Sp. z o.o.
Seminaryjna 9 Street
99-400 Łowicz

VAT: 534-265-18-84
PHONE: +48 42 203 24 99 ext. 26
M: +48 793 404 991

16/01/2026



biuro@vinci-play.com
info@vinci-play.com
www.vinci-play.com

1 / 4

Vinci Sp. z o.o.
Seminaryjna 9 Street
99-400 Łowicz

VAT: 534-265-18-84
PHONE: +48 42 203 24 99 ext. 26
M: +48 793 404 991

16/01/2026



biuro@vinci-play.com
info@vinci-play.com
www.vinci-play.com

2 / 4

Material specification



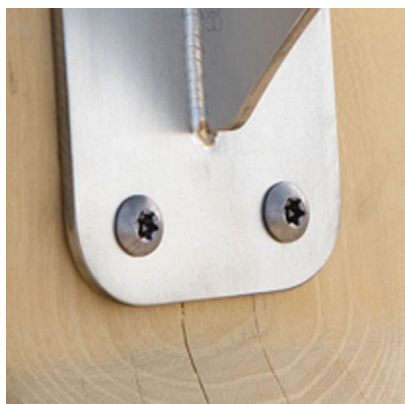
Platforms made of durable anti-slip and waterproof HPL plate,



Stainless steel handrails,



Moving elements based on bearings mechanism closed in casing, which do not require periodic greasing and maintenance, ensuring long service life of the device,



Screws covered with plastic caps and/or stainless steel screws,

Additional information

- equipment adapted for the disabled; device intended for public outdoor gyms;
- when installing the device in the playground, additional fence is obligatory;
- an easily visible information board about compliance with the PN-EN 16630: 2015-06 standard should be provided near the device;
- equipment has a certificate issued by an accredited entity or a declaration of conformity;
- no sharp edges or chinks that would pose a danger of jamming the head, fingers or any other body parts;
- anchoring on flat surface, 5 cm deep;
- render is for reference only, the actual appearance of the equipment and its color may vary;

Guarantee

- 30** 30 year guarantee - Durability of steel and stainless steel structural elements
- 15** 15 year guarantee - Durability of steel and stainless steel structures of mobile devices; durability of Robinia wood structural elements
- 10** 10 year guarantee - Structural strength of HDPE, 100% recycled HDPE and HPL elements; structural elements made of 100% recycled material (composite)
- 5** 5 year guarantee - Corrosion resistance of stainless steel and hot-dip galvanized and powder-coated steel elements, resistance to bark beetles and rotting of wooden structural elements

Detailed information in the guarantee card info@vinci-play.com

info@vinci-play.com
www.vinci-play.com



Vinci Sp. z o.o.
Seminaryjna 9 Street
99-400 Łowicz

VAT: 534-265-18-84
PHONE: +48 42 203 24 99 ext. 26
M: +48 793 404 991

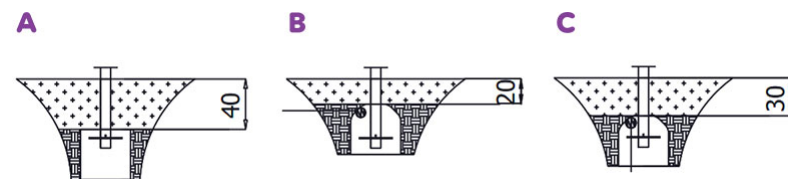
Amount of safe surface corresponding with free fall height:

HIC <60 24,6 m²

Data is subject to change without prior notice.

Surfaces according to EN 16630:2015

	Description (mm)	Layer thickness (cm)	Maximum fall height (cm)
Concrete / stone / bituminous surfaces (A, B, C)	-	-	≤100
outer soil layer (A,B,C)	-	-	≤120
Turf (A,B,C)	-	-	≤150
bark (A,C)	Particle size from 20 to 80	30	≤200
		40	≤300
wood shavings/cuttings (A, C)	Particle size from 5 to 30	30	≤200
		40	≤300
sand (A,C)	Particle size from 0,2 to 2 mm	30	≤200
		40	≤300
gravel (A,C)	Particle size from 2 to 8	30	≤200
		40	≤300
attested synthetic (A, B, C)	Tested according to EN 1177		<60



Vinci Sp. z o.o.
Seminaryjna 9 Street
99-400 Łowicz

VAT: 534-265-18-84
PHONE: +48 42 203 24 99 ext. 26
M: +48 793 404 991

biuro@vinci-play.com
info@vinci-play.com
www.vinci-play.com

