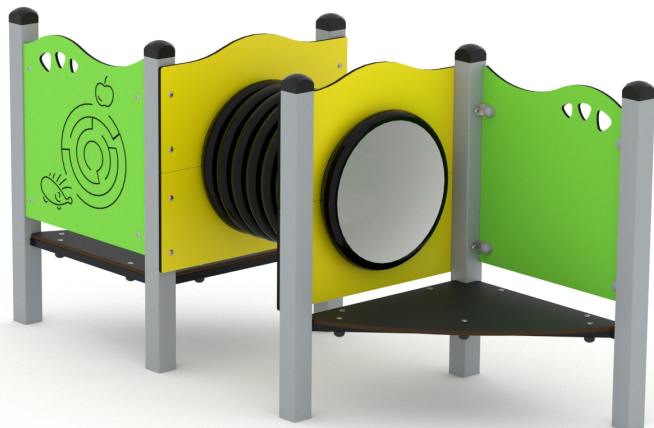


# CLIMBOO 0412



3 - 14 years



3 kids



17,2 m<sup>2</sup>

## Material specification

- Hot-dip galvanized and powder coated or powder galvanized and powder coated steel construction of 80 x 80 mm profile,
- Platforms made of durable anti-slip and waterproof plywood or HPL plate,
- Side panels made of durable HDPE or HPL plate, resistant to weather conditions,
- Moving elements made of durable HDPE or HPL plate, resistant to weather conditions,
- Double wall tube passage made of polypropylene,
- Screws covered with plastic caps and/or stainless steel screws,
- Safe end caps on top of the structure made of rubber or polypropylene,



**Facilitating disability**



easy access



integration



**Intellectual development**



thinking



**Physical development**



hiding



crawling





**2**  
number of towers



**1**  
number of interactive elements



**1**  
number of activity elements

**Product technical sheet**

**CLIMBOO 0412**

**Product data**

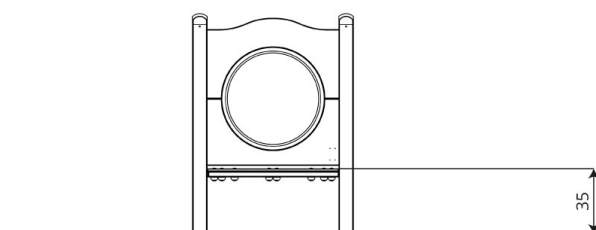
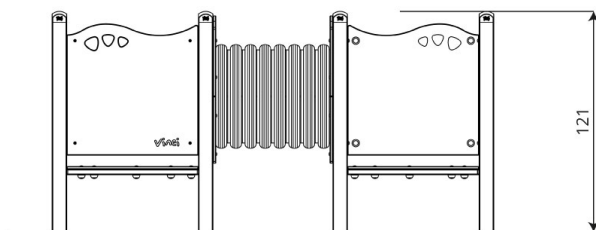
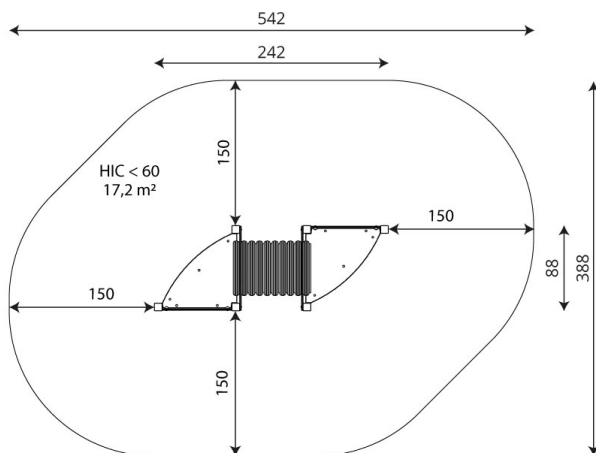
Length	242 cm
Width	88 cm
Total height	121 cm
Age group	3 - 14 years
Number of users	3 kids
Safety zone	17,2 m2
Free fall height	<60 cm
The height of the platforms	35 cm
In accordance with norm EN	1176-1:2017+A1:2023
Weight of the heaviest part	11 kg
Dimensions of the largest part	176x8x8 cm
Availability of spare parts	YES
Installation time	3 h

Color options

Data is subject to change without prior notice.

**Additional information**

- equipment adapted for the disabled; intended for public playgrounds;
- equipment has a certificate issued by an accredited entity or a declaration of conformity;
- no sharp edges or chinks that would pose a danger of jamming the head, fingers or any other body parts;
- anchoring on flat surface, 80/70/60 cm deep;
- render is for reference only, the actual appearance of the equipment and its color may vary;



**Guarantee**

**30** 30 year guarantee - Durability of steel and stainless steel structural elements

**15** 15 year guarantee - Durability of steel and stainless steel structures of mobile devices; durability of Robinia wood structural elements

**10** 10 year guarantee - Structural strength of HDPE, 100% recycled HDPE and HPL elements; structural elements made of 100% recycled material (composite)

**5** 5 year guarantee - Corrosion resistance of stainless steel and hot-dip galvanized and powder-coated steel elements, resistance to bark beetles and rotting of wooden structural elements

Detailed information in the guarantee card



## Surfaces according to EN 1176-1:2017+A1:2023

	Description (mm)	Layer thickness (cm)	Maximum fall heights (cm)
Turf/ top layer of soil (A,B,C)	-	-	≤100
bark (A,C)	Particle size from 20 to 80	30	≤200
		40	≤300
woodchips (A,C)	Particle size from 5 to 30	30	≤200
		40	≤300
sand or gravel (A,C)	Particle size from 0,25 to 8	30	≤200
		40	≤300
synthetic attested (A,B,C)	Tested according to EN 1177		<60

## Product technical sheet

# CLIMBOO 0412

### Amount of safe surface corresponding with free fall height:

HIC <60 17,2 m<sup>2</sup>

Data is subject to change without prior notice.

