

Product technical sheet

CLIMBOO 0416-1



3 - 14 years



3 kids



17,3 m²

Material specification

- Powder galvanized and powder coated or hot-dip galvanized steel construction,
- Steel ropes in polypropylene braid, connected with durable plastic elements, stainless steel or aluminum,
- Stainless steel rims,
- Stainless steel screws and/or screws covered with plastic caps,



Physical development

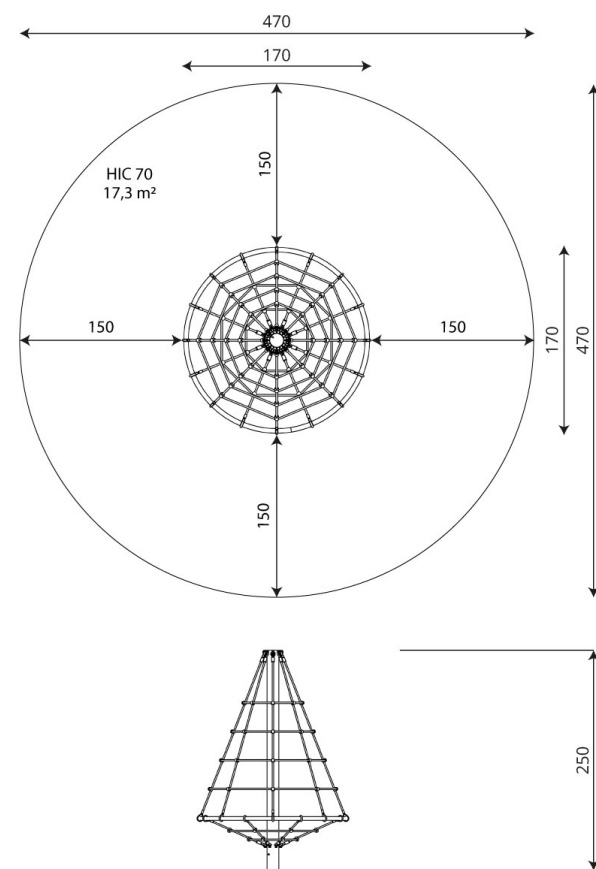


climbing





1
number of activity elements



Product technical sheet

CLIMBOO 0416-1

Product data

Length	170 cm
Width	170 cm
Total height	250 cm
Age group	3 - 14 years
Number of users	3 kids
Safety zone	17,3 m ²
Free fall height	70 cm
In accordance with norm EN	1176-1:2017+A1:2023
Weight of the heaviest part	30 kg
Dimensions of the largest part	330x10x10 cm
Availability of spare parts	YES
Installation time	2 h
Color options	

Data is subject to change without prior notice.

Additional information

- equipment intended for public playgrounds;
- equipment has a certificate issued by an accredited entity or a declaration of conformity;
- no sharp edges or chinks that would pose a danger of jamming the head, fingers or any other body parts;
- anchoring on flat surface, 80/100 cm deep;
- render is for reference only, the actual appearance of the equipment and its color may vary;

Guarantee

30

30 year guarantee - Durability of steel and stainless steel structural elements

15

15 year guarantee - Durability of steel and stainless steel structures of mobile devices; durability of Robinia wood structural elements

10

10 year guarantee - Structural strength of HDPE, 100% recycled HDPE and HPL elements; structural elements made of 100% recycled material (composite)

5

5 year guarantee - Corrosion resistance of stainless steel and hot-dip galvanized and powder-coated steel elements, resistance to bark beetles and rotting of wooden structural elements

Detailed information in the guarantee card



Surfaces according to EN 1176-1:2017+A1:2023

	Description (mm)	Layer thickness (cm)	Maximum fall heights (cm)
Turf/ top layer of soil (A,B,C)	-	-	≤100
bark (A,C)	Particle size from 20 to 80	30	≤200
		40	≤300
woodchips (A,C)	Particle size from 5 to 30	30	≤200
		40	≤300
sand or gravel (A,C)	Particle size from 0,25 to 8	30	≤200
		40	≤300
synthetic attested (A,B,C)	Tested according to EN 1177		70

Product technical sheet

CLIMBOO 0416-1

Amount of safe surface corresponding with free fall height:

HIC 70 17,3 m²

Data is subject to change without prior notice.

